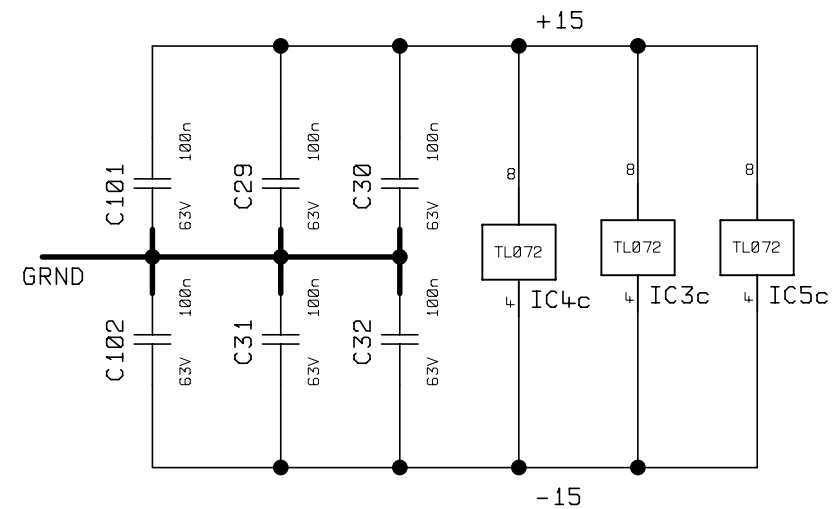
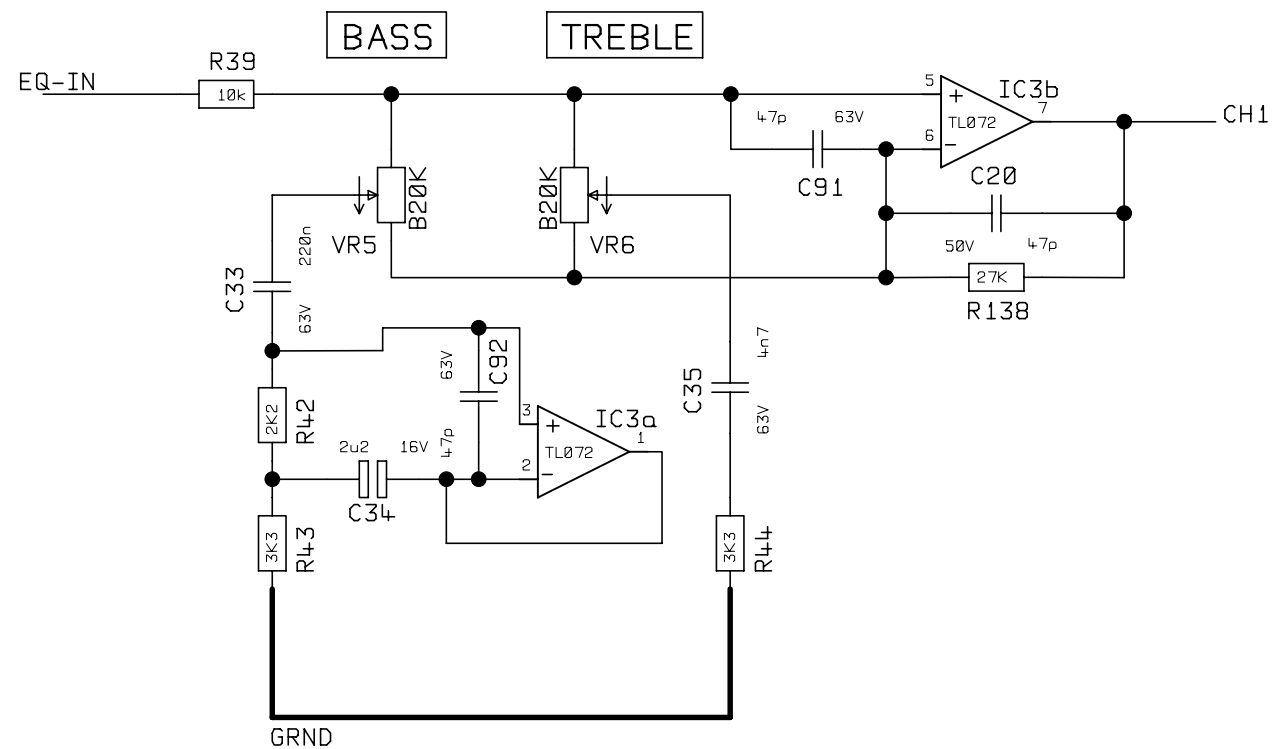
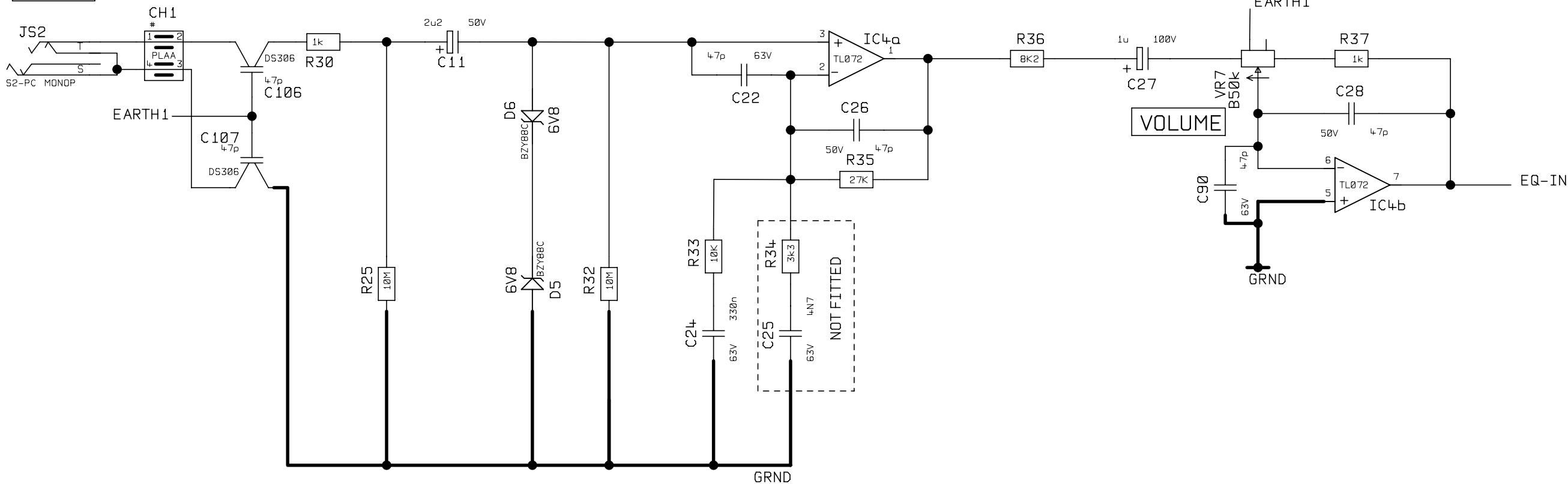



ignorelayers 4

DWG.No. AS50-60-02

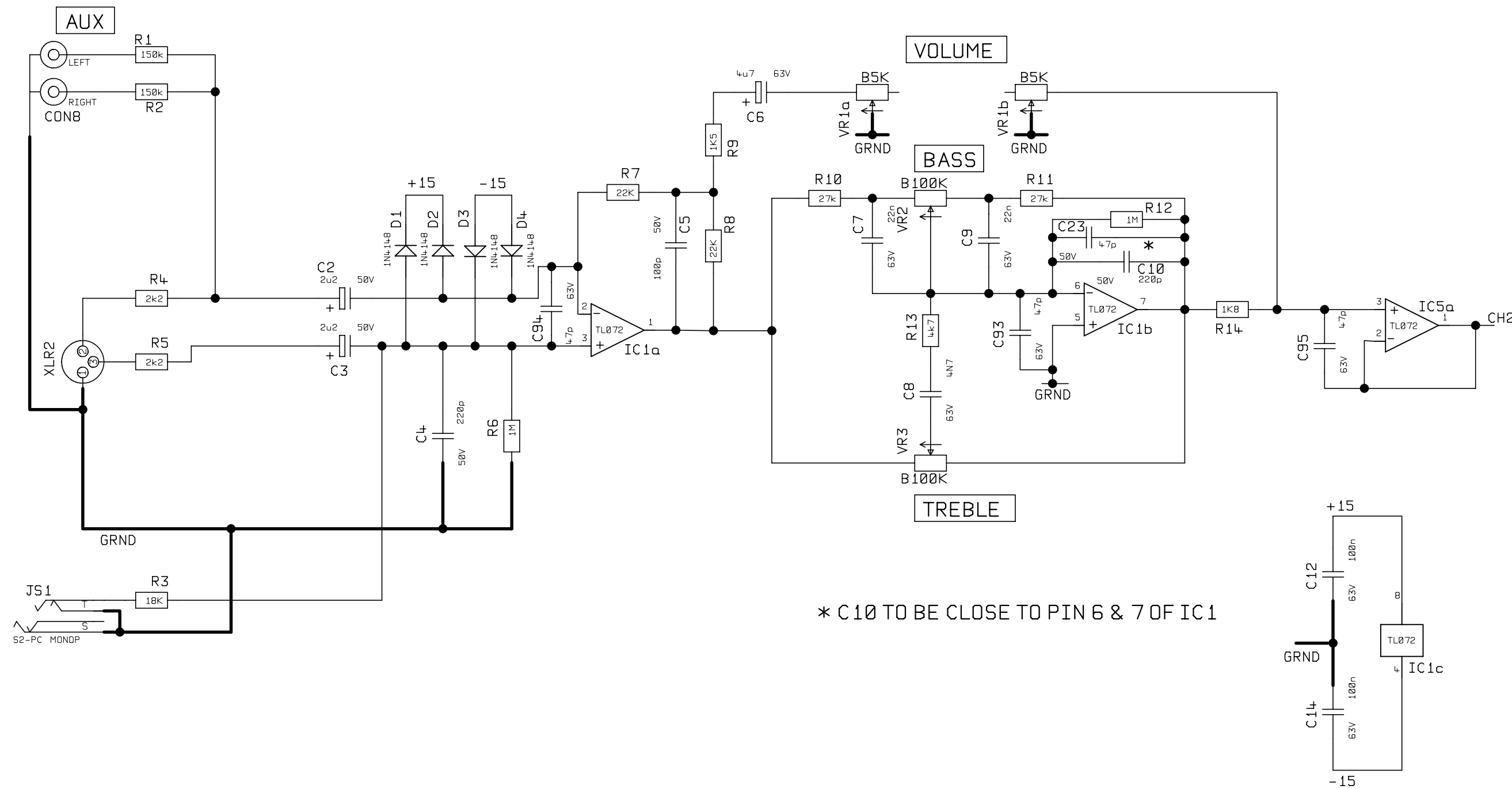
INPUT



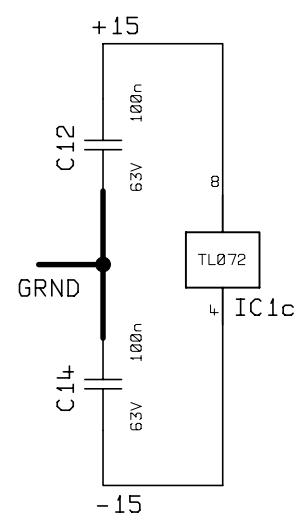
		ALL OTHER HOLES =		X = (THROUGH PLATED)		MATERIAL		DIMENSIONS IN		 <p>© MARSHALL AMPLIFICATION PLC DENBIGH ROAD, BLETCHLEY, MILTON KEYNES, MK1 1DG. TEL (01908) 375411 FAX (01908) 375118</p>	TITLE	
3	cap c23 added sht2	9-12-99	A	E	J	N	MATERIAL THICKNESS	TOLERANCE (UNLESS OTHERWISE STATED)	PREAMP INSTRUMENT CH1			
2	VR1 now tandem	9-11-99	B	F	K	P	DRAWN L.V. DATE 18/5/98	MODEL AS50R	DWG.No AS50-60-02		ISS 3	
ISS	ECO NUMBER	DATE	C	G	L	Q	CHECKED DATE	APPROVED DATE	sht 1 of 6			

A B C D E F G H

DWG.No. AS50-60-02



* C10 TO BE CLOSE TO PIN 6 & 7 OF IC1



3		cap c23 added sht2		9-12-99	A		E		J		N		MATERIAL		DIMENSIONS IN		<p>MARSHALL AMPLIFICATION PLC DENBIGH ROAD, BLETCHLEY, MILTON KEYNES, MK1 1DQ. TEL: (01908) 375411 FAX: (01908) 376118</p>	TITLE		sht 2 of 6	
2		VR1 now tandem		9-11-99	B		F		K		P		MATERIAL THICKNESS		TOLERANCE (UNLESS OTHERWISE STATED)			PREAMP		MICROPHONE CH2	
ISS		ECO NUMBER		DATE	C		G		L		Q		DRAWN L.V.		DATE 18/5/98			DWG.No		AS50-60-02	
					D		H		M		R		CHECKED		DATE			ISS		3	

DWG.No. AS50-60-02

CH1

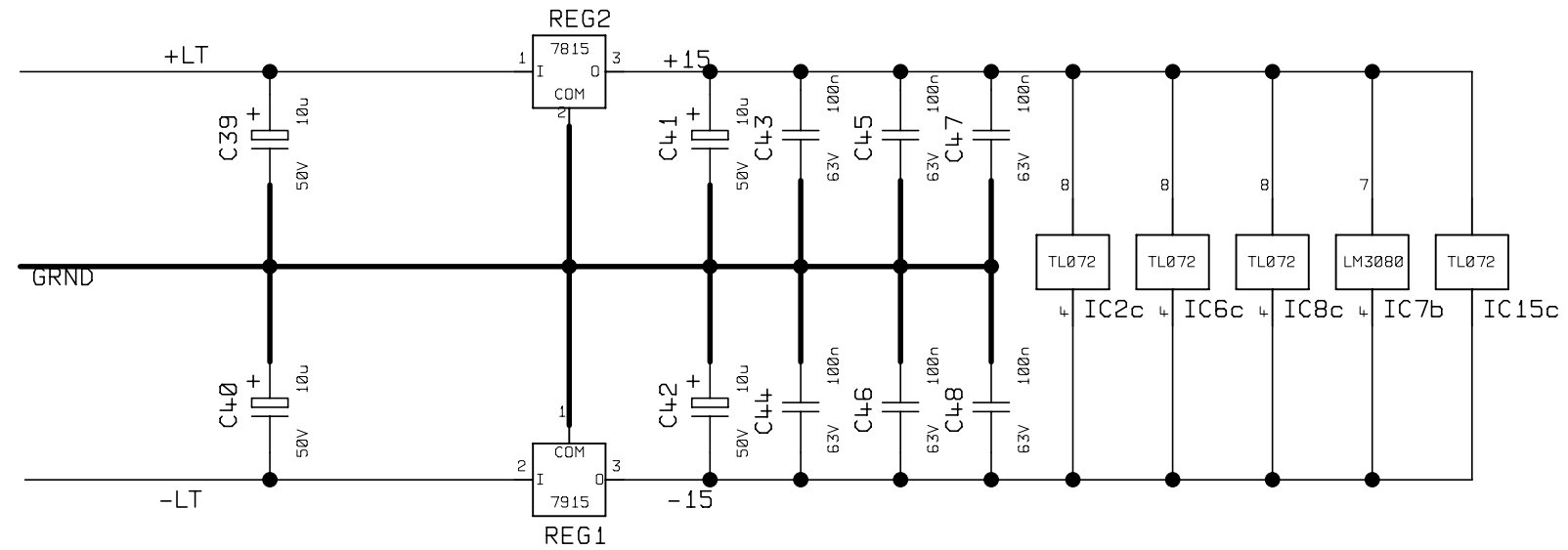
CH2

SEND

LEVEL

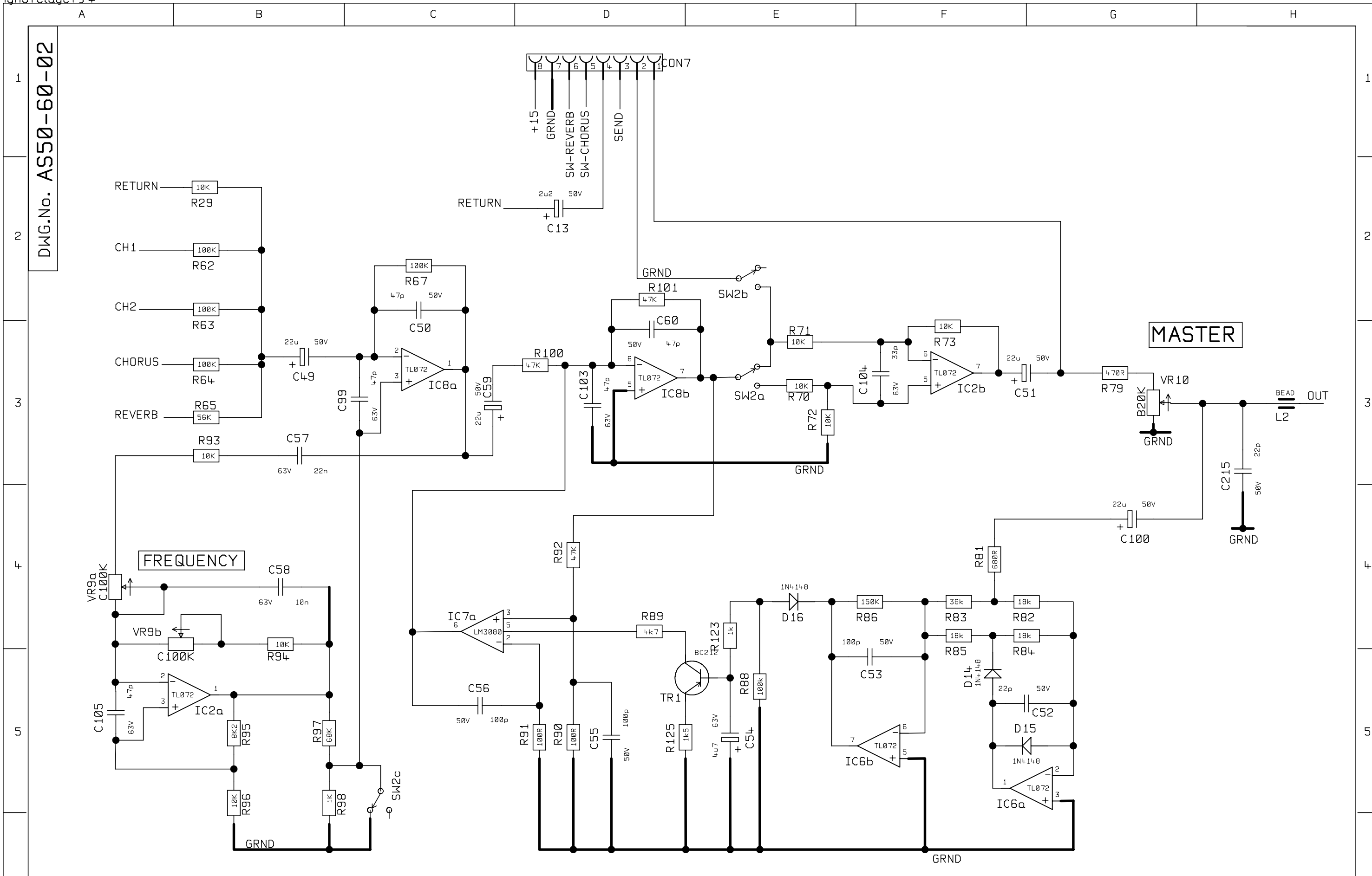
REVERB

CON4



3		cap c23 added sht2	9-12-99	ALL OTHER HOLES =		X = (THROUGH PLATED)		MATERIAL	DIMENSIONS IN	<p>© MARSHALL AMPLIFICATION PLC DENBIGH ROAD, BLETCHLEY, MILTON KEYNES, MK1 1DQ. TEL (01908) 375411 FAX (01908) 376118</p>	TITLE	PREAMP REVERB
2		VR1 now tandem	9-11-99	A	E	J	N	MATERIAL THICKNESS	TOLERANCE (UNLESS UTERWISE STATED)		ISS	3
ISS		ECO NUMBER	DATE	B	F	K	P	DRAWN S.G.	DATE 8/6/98		sht 4 of 6	
				C	G	L	Q	CHECKED	DATE		DWG.No AS50-60-02	
				D	H	M	R	APPROVED	DATE			


ignorelayers 4



DWG.No. AS50-60-02

MASTER

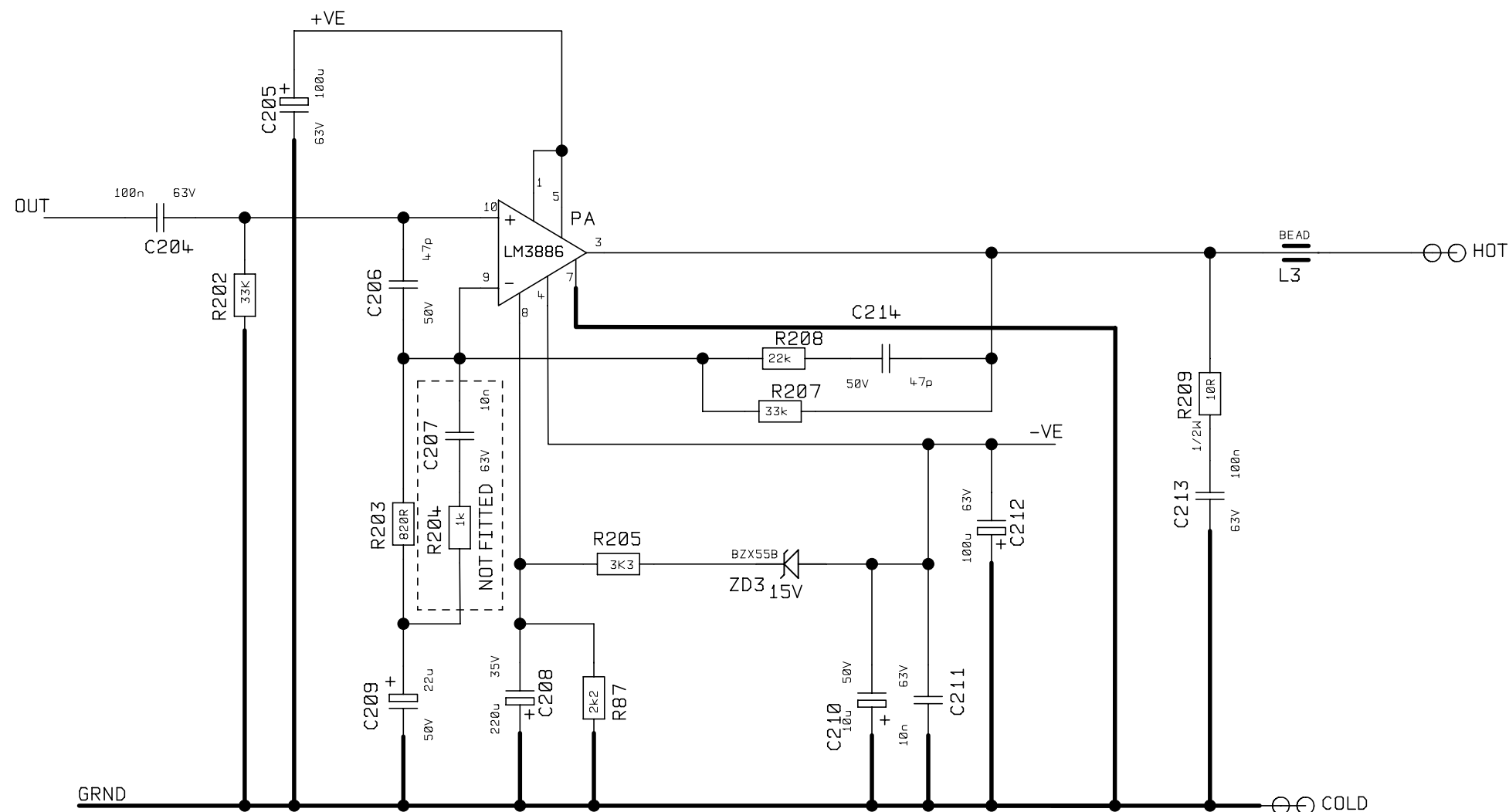
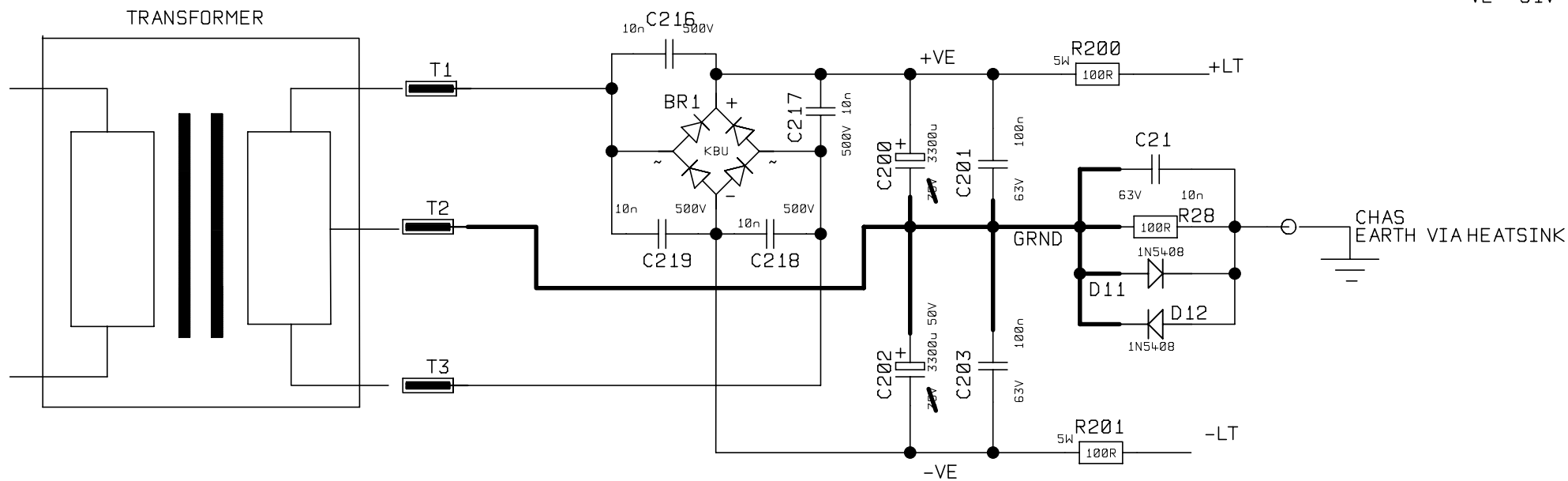
FREQUENCY


3 cap c23 added sht2			9-12-99			A			E			J			N			MATERIAL			DIMENSIONS IN			 <p>© MARSHALL AMPLIFICATION PLC DENBIGH ROAD, BLETCHLEY, MILTON KEYNES, MK1 1DQ. TEL (01908) 375411 FAX (01908) 376118</p>			TITLE PREAMP LIMITER & NOTCH FILTER sht 5 of 6		
2 VR1 now tandem			9-11-99			B			F			K			P			DRAWN S.G. DATE 8/6/98			TOLERANCE (UNLESS OTHERWISE STATED)						DWG.No AS50-60-02		
ISS ECO NUMBER			DATE			C			G			L			Q			CHECKED DATE			MODEL AS50R						ISS 3		
						D			H			M			R			APPROVED DATE											

ignorelayers 4

DWG.No. AS50-60-02

VE = 31V



			ALL OTHER HOLES =				X = (THROUGH PLATED)				MATERIAL		DIMENSIONS IN		 © MARSHALL AMPLIFICATION PLC DENBIGH ROAD, BLETCHLEY, MILTON KEYNES, MK1 1DQ. TEL (01908) 375411 FAX (01908) 376118	TITLE POWER AMP & POWER SUPPLY sht 6 of 6				
ISS	ECO NUMBER	DATE	A	B	C	D	E	F	G	H	J	K	L	M		N	P	Q	R	DWG.No
3	cap c23 added sht2	9-12-99																		
2	VR1 now tandem	9-11-99																		
																				3

AS50R

AS50-60-02