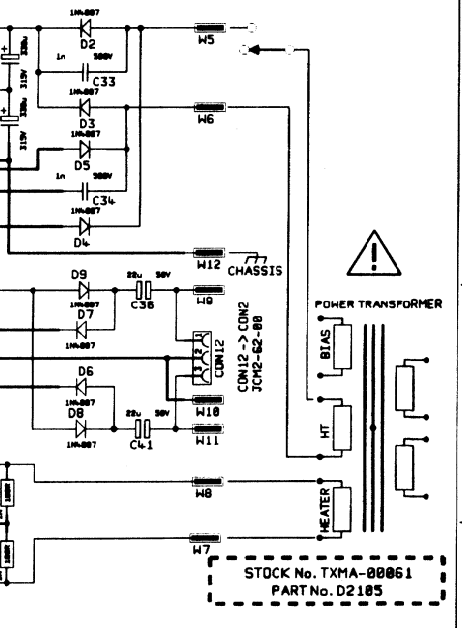
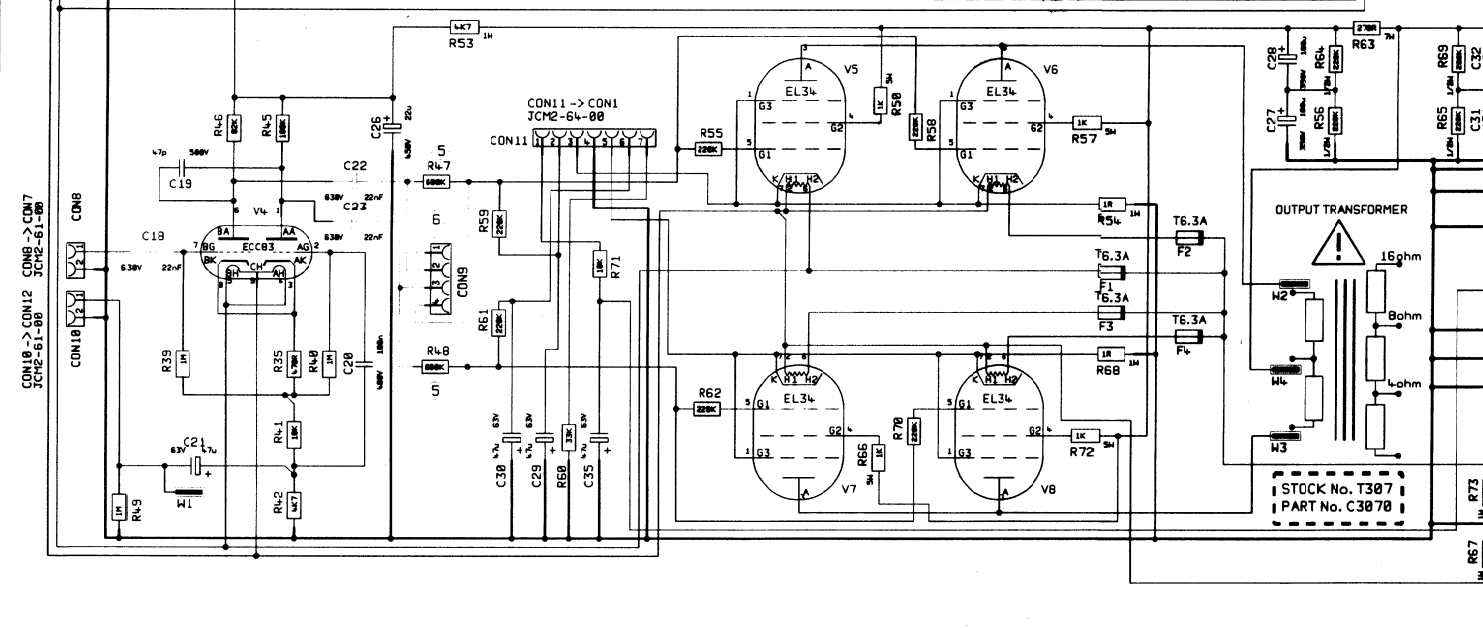
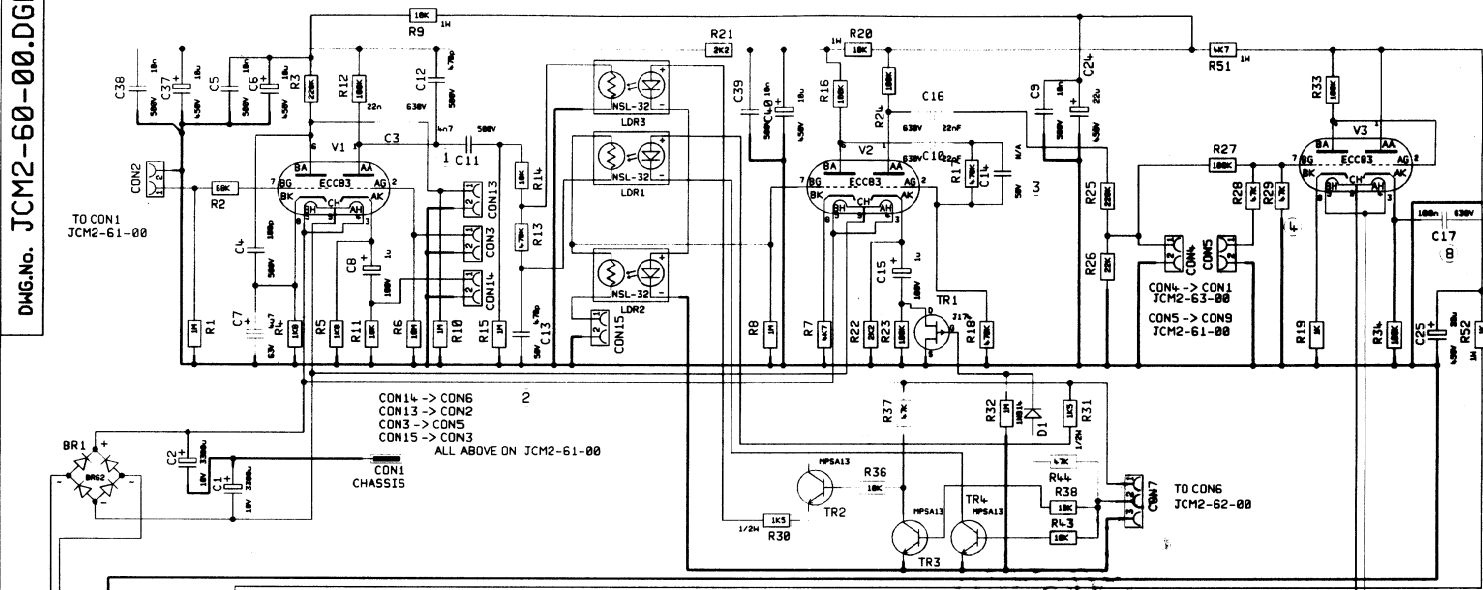


Dwg. No. JCM2-60-00.DGM

SAFETY CRITICAL COMPONENT
 REPLACE ONLY WITH SAME
 TYPE AND RATING.

- NOTES**
- (1) C11 = 4n7 500V ON STANDARD HEAD
C11 = 1nF 500V ON COMBO & DELUXE
 - (2) C13 = 470pF STANDARD --- 100pF COMBO & DELUXE
 - (3) C14 NOT FITTED ON STANDARD HEAD,
COMBO OR DELUXE
 - (4) R29 = 4.7K STANDARD
R29 = 22K COMBO & DELUXE
 - (5) R4,7,48 = LINK STANDARD
R4,7,48 = 680K COMBO & DELUXE
 - (6) CON9 ONLY FITTED ON COMBO & DELUXE
 - (7) C17 = LINK STANDARD
C17 = 100nF 630V COMBO & DELUXE

STOCK No. S167
PART No. 1310BSNN



<table border="1" style="width: 100%; border-collapse: collapse;"> <tr> <td style="width: 10%;">1</td> <td style="width: 20%;">PRODUCTION</td> <td style="width: 20%;">30/4/97</td> <td style="width: 10%;">A</td> <td style="width: 10%;">E</td> <td style="width: 10%;">J</td> <td style="width: 10%;">N</td> </tr> <tr> <td>2</td> <td>PRE-PRODUCTION</td> <td>19/3/97</td> <td>B</td> <td>F</td> <td>K</td> <td>P</td> </tr> <tr> <td>3</td> <td>ECO NUMBER</td> <td>DATE</td> <td>C</td> <td>G</td> <td>L</td> <td>Q</td> </tr> <tr> <td>4</td> <td></td> <td></td> <td>D</td> <td>H</td> <td>M</td> <td>R</td> </tr> </table>		1	PRODUCTION	30/4/97	A	E	J	N	2	PRE-PRODUCTION	19/3/97	B	F	K	P	3	ECO NUMBER	DATE	C	G	L	Q	4			D	H	M	R	ALL OTHER HOLES = X = (THROUGH PLATED)		MATERIAL: MATERIAL SPECIFICATION: S.G. DATE: 19/3/97 CHECKED: [Signature] DATE: 23-6-97 APPROVED: [Signature]		DIMENSIONS IN: TOLERANCE UNLESS OTHERWISE STATED: MODEL: JCM2000		 © MARSHALL AMPLIFICATION PLC DENBIGH ROAD, BLETCHLEY, MILTON KEYNES, MK1 1DG. TEL: (01908) 375111 FAX: (01908) 376110		TITLE: JCM2000 SUPERLEAD STANDARD Dwg. No. JCM2-60-00.DGM 1	
		1	PRODUCTION	30/4/97	A	E	J	N																															
2	PRE-PRODUCTION	19/3/97	B	F	K	P																																	
3	ECO NUMBER	DATE	C	G	L	Q																																	
4			D	H	M	R																																	