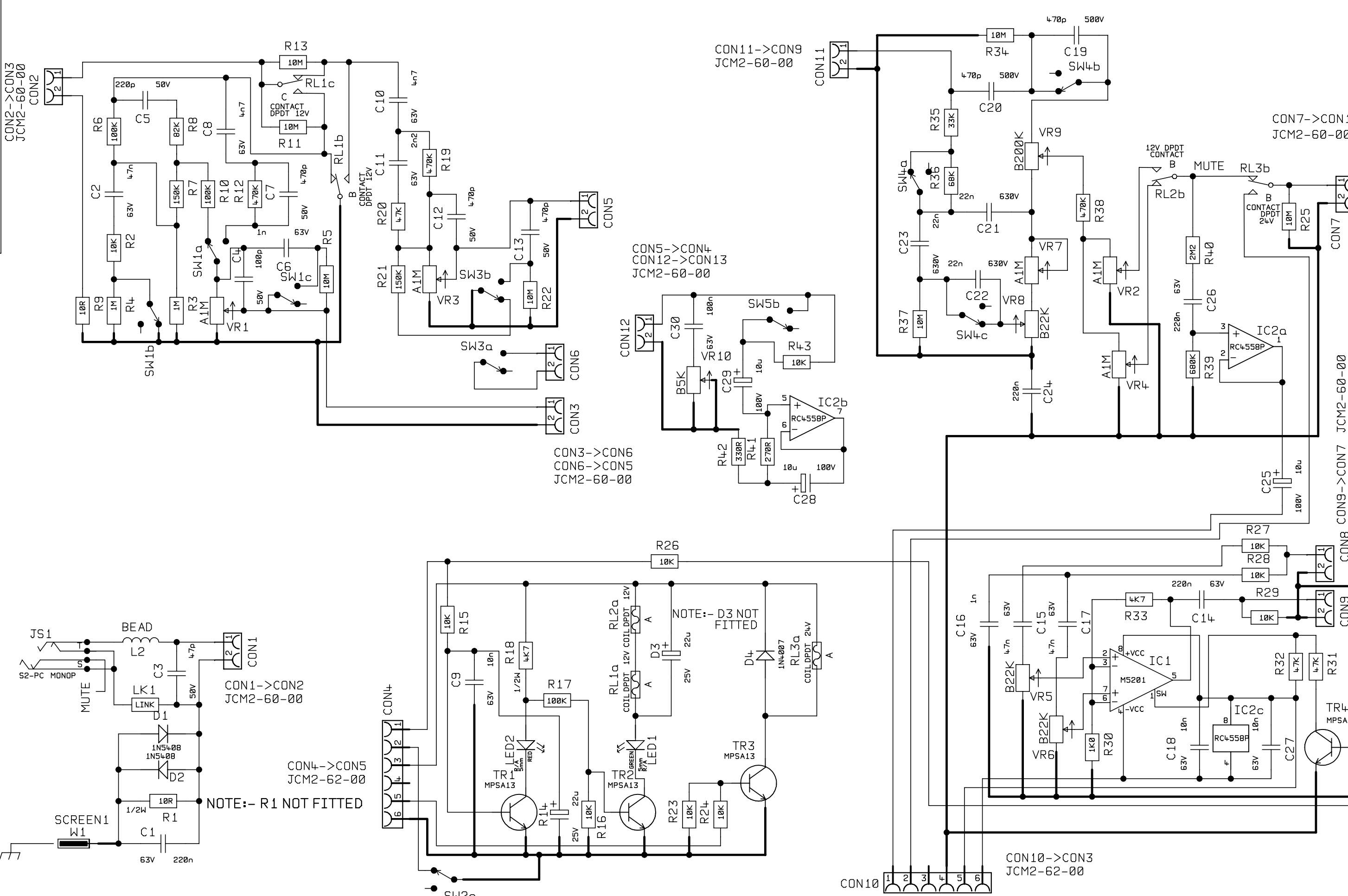


DWG.No. JCM2-61-00.DGM



5	1999	29/05/01	ALL OTHER HOLES =
4	1786	16-3-99	X = (THROUGH PLATED)
3	1553	15/12/97	
2	1502	1/10/97	
ISS	ECO NUMBER	DATE	

A	B	C	D	E	F	G	H

MATERIAL		
MATERIAL THICKNESS		
DRAWN	SG	DATE 24_2_97
CHECKED		DATE
APPROVED		DATE

DIMENSIONS IN	
TOLERANCE (UNLESS OTHERWISE STATED)	
MODEL	JCM2000

Marshall
 © MARSHALL AMPLIFICATION PLC
 DENBIGH ROAD, BLETCHLEY, MILTON KEYNES, MK1 1DQ.
 TEL (01908) 375411 FAX (01908) 376118

TITLE	JCM2000
	SUPERLEAD STANDARD
DWG.No	JCM2-61-00.DGM
ISS	5