

NOTES:

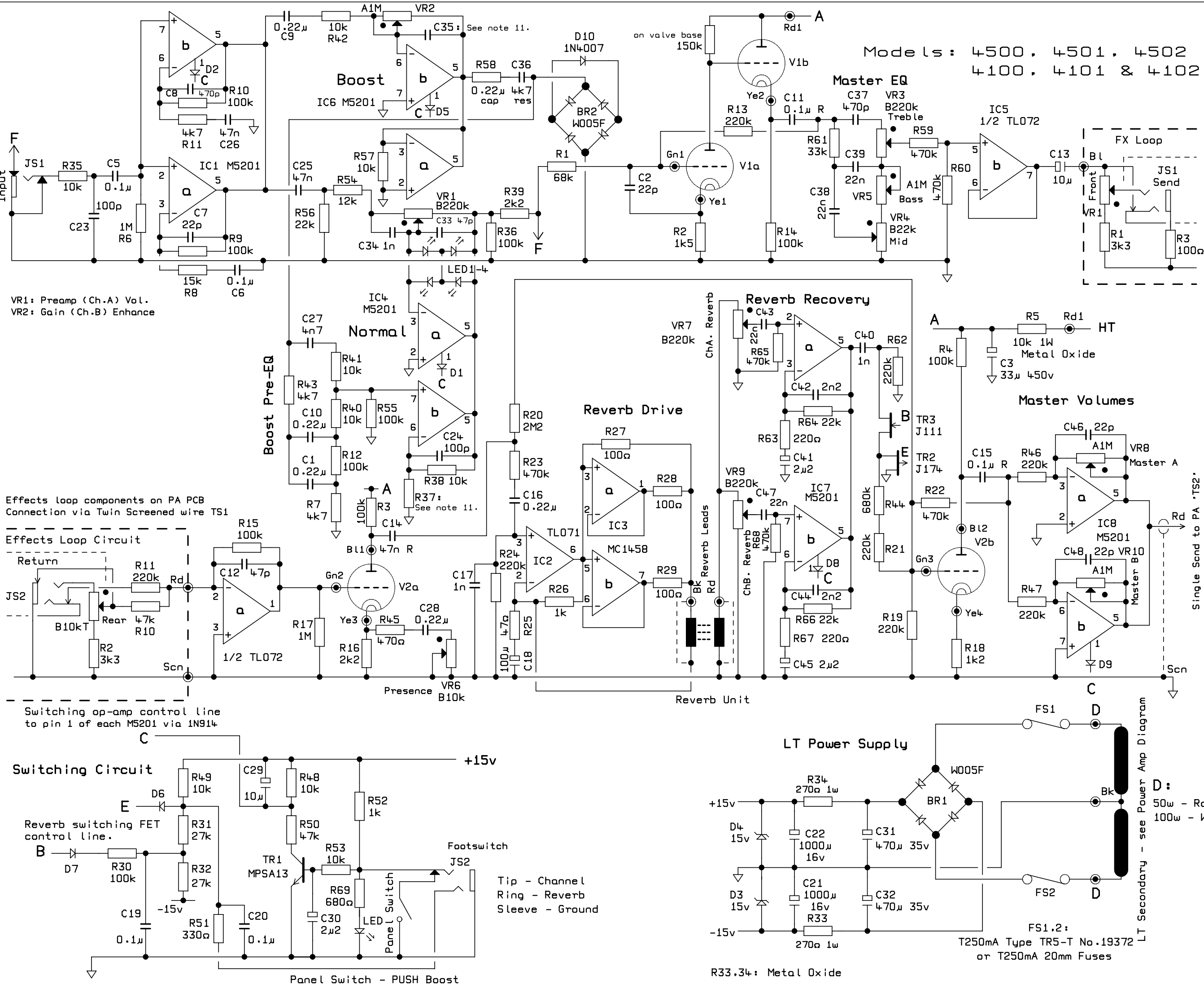
1. All resistors 1/4w unless stated.
2. PCA: JMP52B
3. Power amp diagrams:
CD0112 50w
CD0192 100w
4. All non-elect. caps are 50v axial unless marked:
D: Ceramic disk } High voltage
R: MKT Radial }
5. All zeners 500mW.
6. All unmarked diodes are 1N914.
7. IC supplies:
All ICs but TL071, pin 8: +15v
TL071, pin 7: +15v
All ICs, pin 4: -15v
8. M5201 switching IC pins:
Ctrl 1 } +ve
+ 2 }
- 3 }
-ve 4 }
5 } Out
9. R45 not fitted.
10. V1,2,3: ECC83.
11. R37:
50w - 22k
100w - 10K
C35:
50w - 220p
100w - 100pF

7	0349	A.G.
6	18-9-90	SKB
5	2-7-90	CPV
4	11-4-90	CPV
Iss. Date / ECR		Drn.

Dwg. Number: CD0189
JCM900 Series
 DUAL REVERB Preamp
 Circuit Diagram
 ALL COUNTRIES

Marshall
 Jim Marshall
 (Products) Ltd.
 BLETCHLEY
 MILTON KEYNES
 ENGLAND
 File: CD0189.DGM

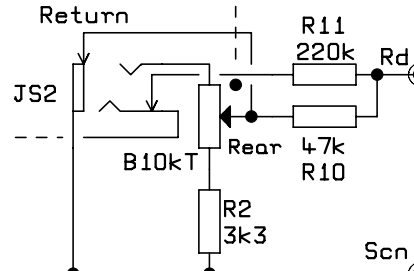
Models: 4500, 4501, 4502
 4100, 4101 & 4102



VR1: Preamp (Ch.A) Vol.
 VR2: Gain (Ch.B) Enhance

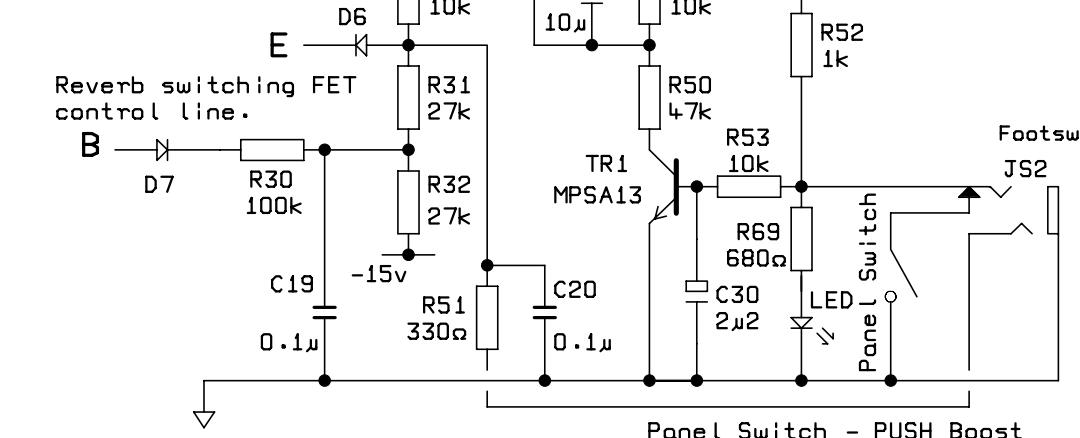
Effects loop components on PA PCB
 Connection via Twin Screened wire TS1

Effects Loop Circuit



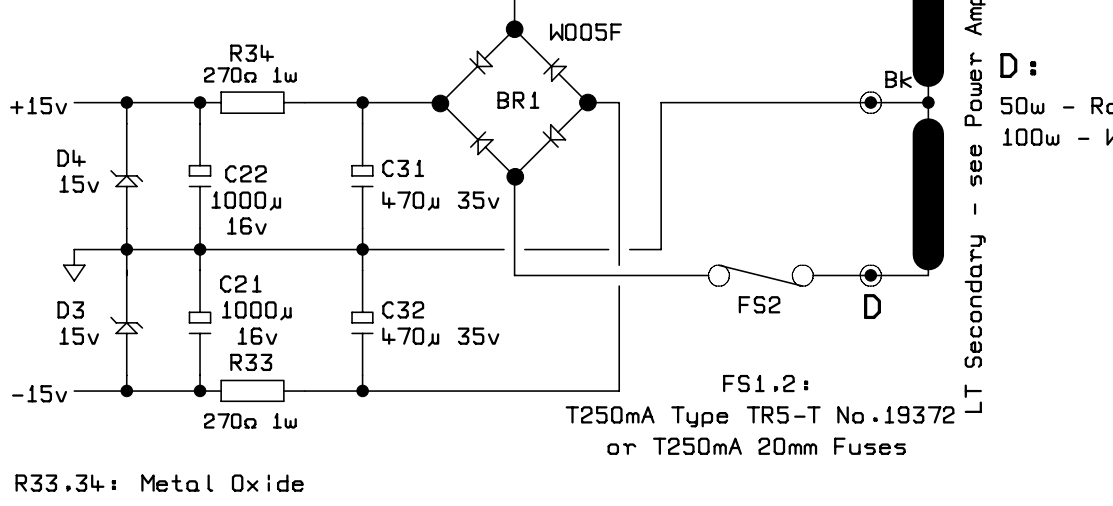
Switching op-amp control line
 to pin 1 of each M5201 via 1N914

Switching Circuit



Tip - Channel
 Ring - Reverb
 Sleeve - Ground

LT Power Supply



D: 50w - Rd
 100w - Wh

FS1,2:
 T250mA Type TR5-T No.19372
 or T250mA 20mm Fuses

Single Send to PA *TS2*