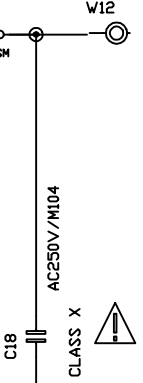
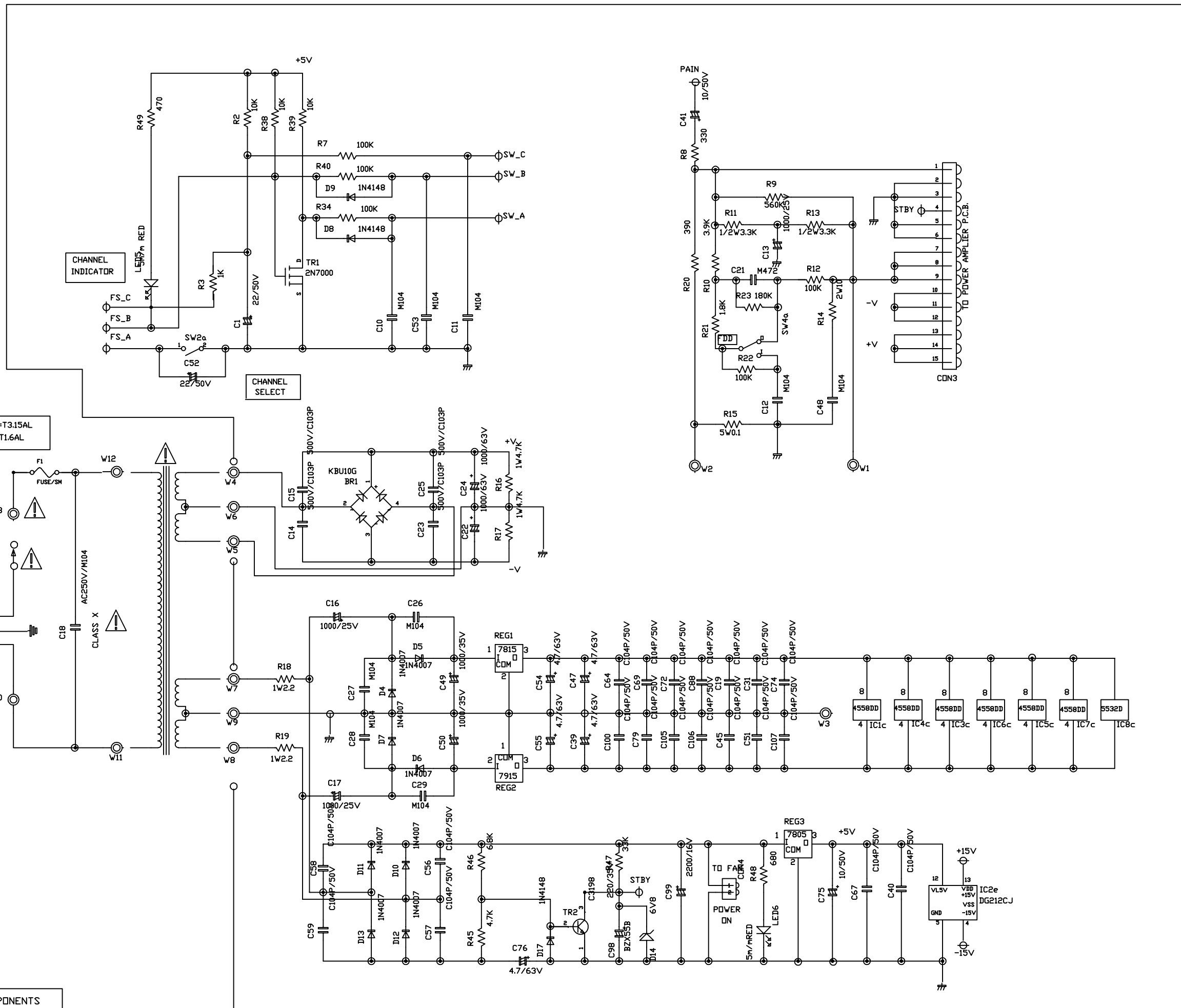


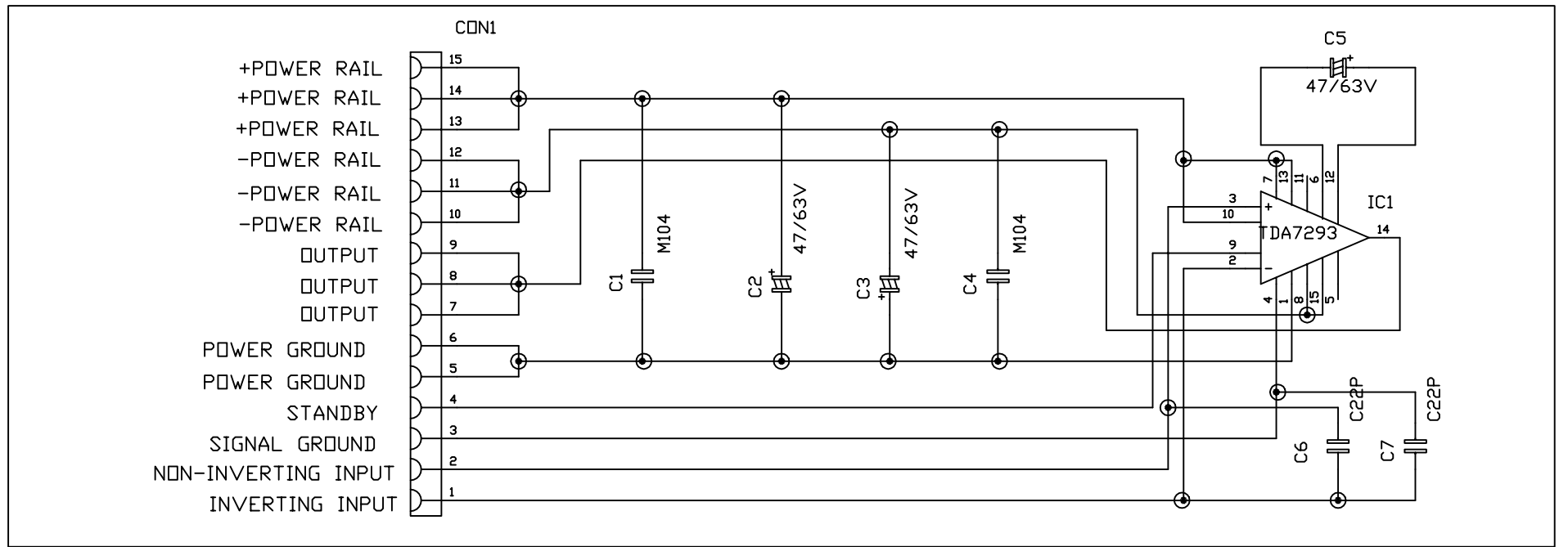
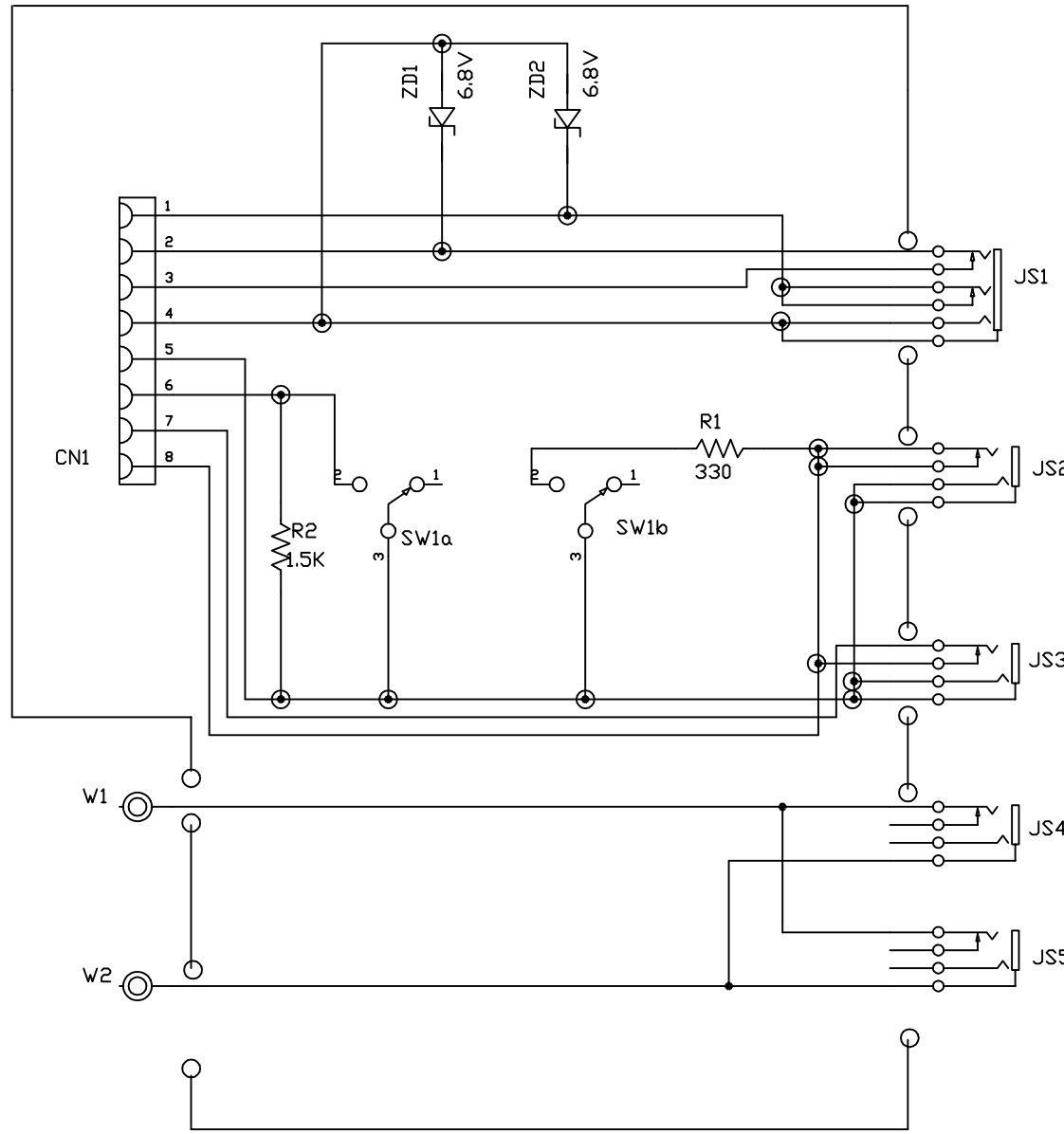
MG100@100/117V F1=T3.15AL  
MG100@230V/ F1=T1.6AL

MAINS ON/OFF



**SAFETY CRITICAL COMPONENTS**  
COMPONENTS MUST BE REPLACED  
WITH THE SAME TYPE AND  
RATING ONLY

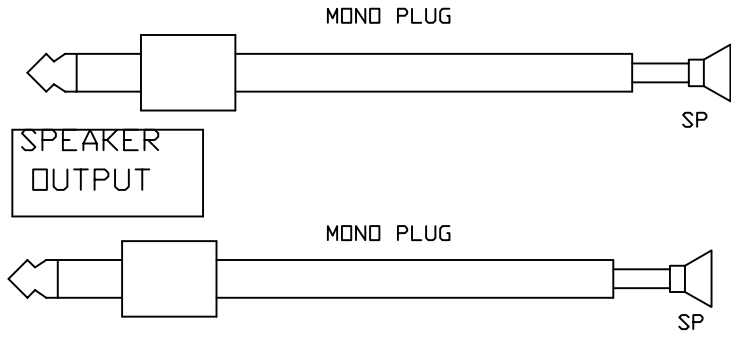




FOOTSWITCH

EFFECTS SEND

EFFECTS RETURN



NOTE:-JS4 NOT FITTED ON MG100DFX

Title			MG 100HDFX		
Size	Document Number	Rev			
A3	<Doc>	P_02			
Date:	Friday, May 31, 2002	Sheet	1	of	1