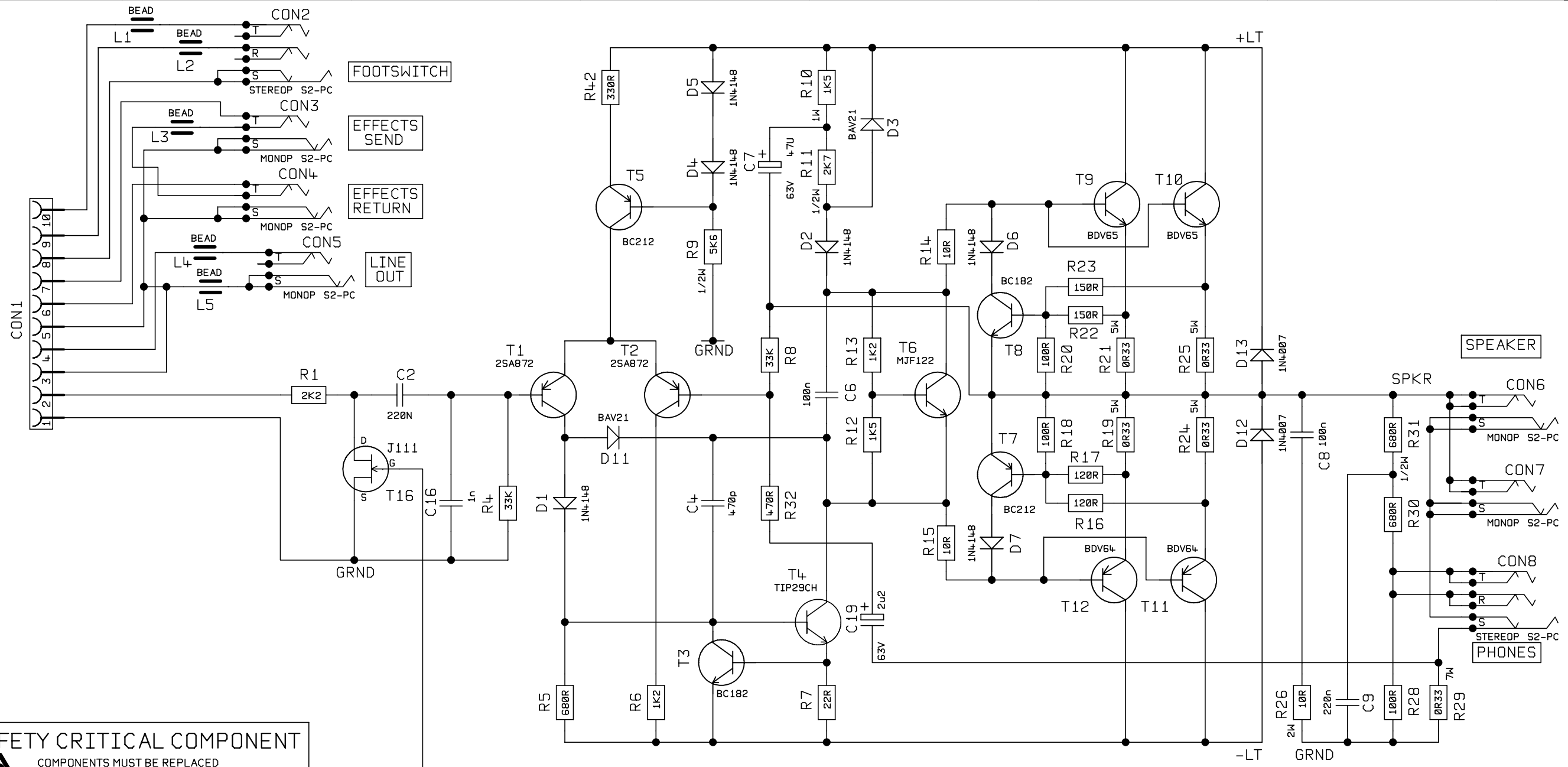
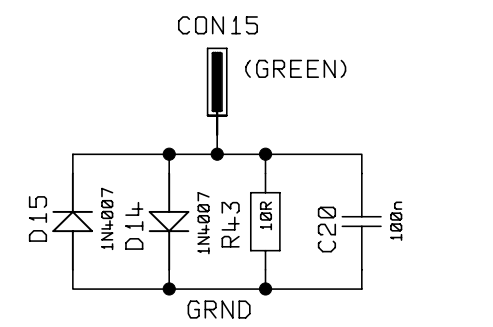
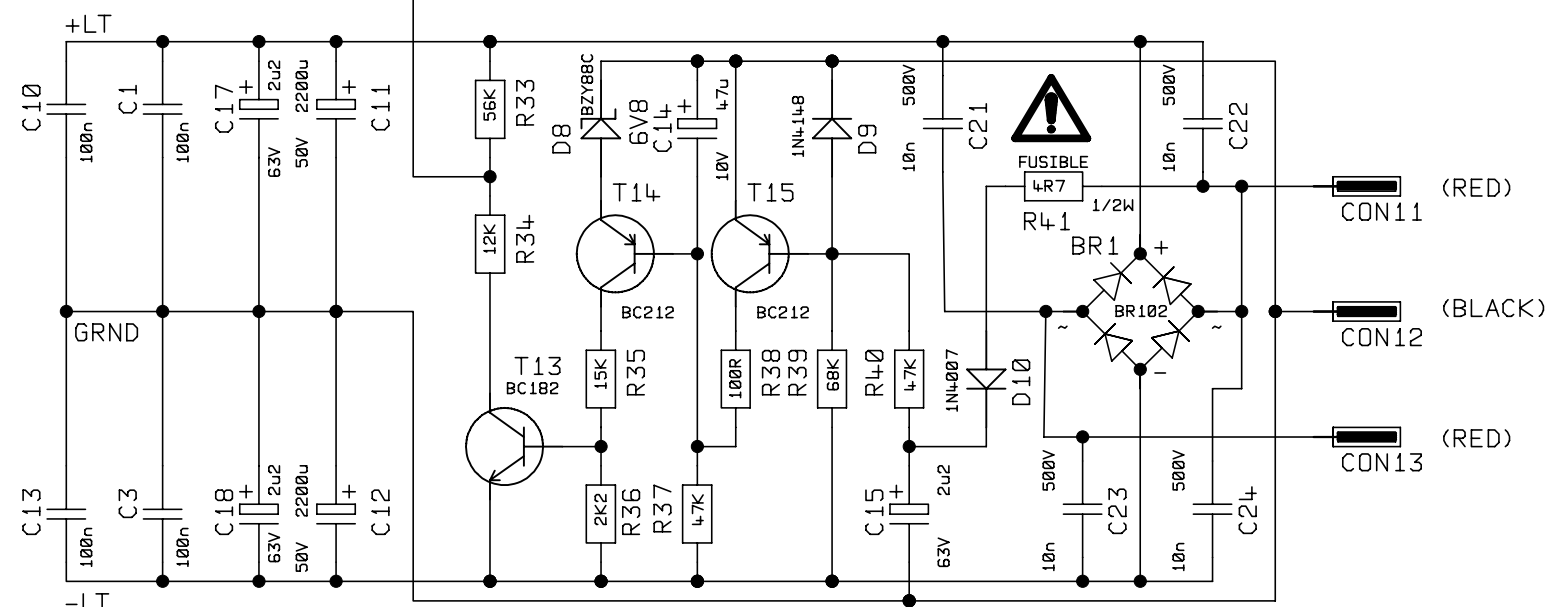
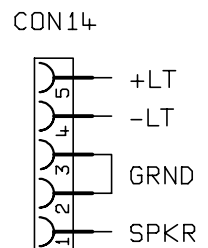


V100-62-02.DGM



SAFETY CRITICAL COMPONENT
 COMPONENTS MUST BE REPLACED WITH THE SAME TYPE AND RATING ONLY



R27 & C5 NOT FITTED

2		1686/7	15/10/98	ALL OTHER HOLES =		X = (THROUGH PLATED)		MATERIAL		DIMENSIONS IN		<p>JIM MARSHALL (PRODUCTS) LTD. DENBIGH ROAD, BLETCHLEY, MILTON KEYNES, MK1 1DQ. TEL (0908)375411 FAX (0908)376118</p>	TITLE VS100 POWER MODULE DWG.No V100-62-02.DGM ISS 2
ISS	ECO NUMBER	DATE	D	A	F	J	N	MATERIAL THICKNESS	TOLERANCE (UNLESS OTHERWISE STATED)	MODEL			
				B	G	K	P	DRAWN B.KEIR	DATE 08.09.95				
				C	H	L	Q	CHECKED	DATE				
				D		M	R	APPROVED	DATE				