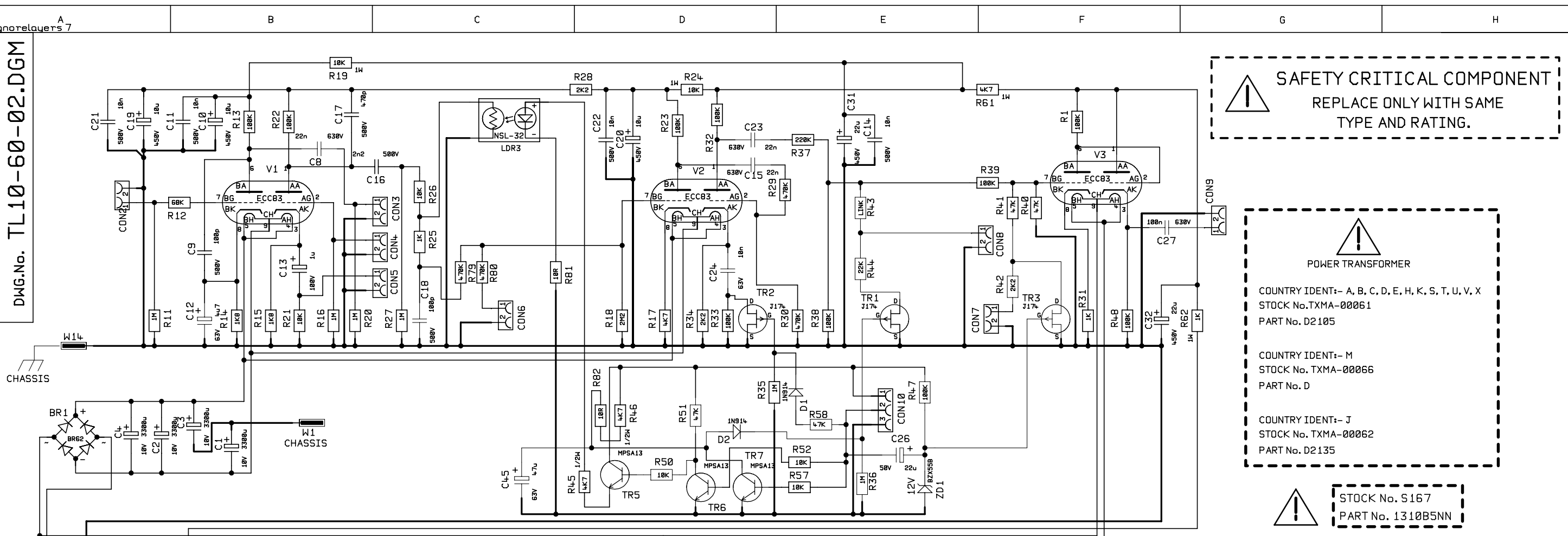


DWG.No. TL10-60-02.DGM



**SAFETY CRITICAL COMPONENT**  
REPLACE ONLY WITH SAME TYPE AND RATING.

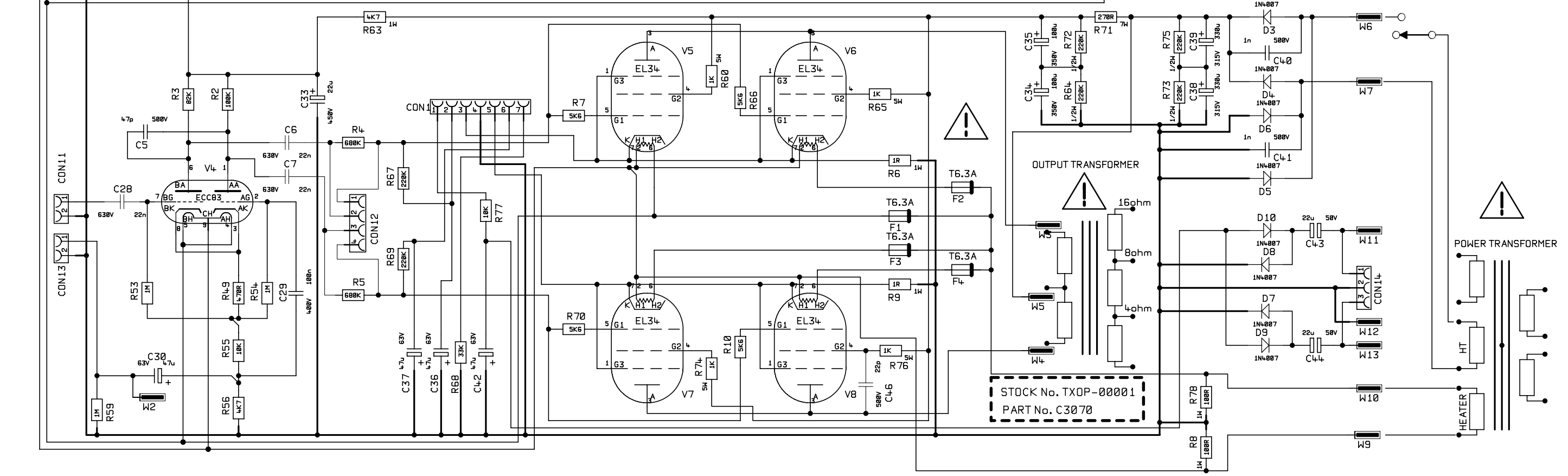
**POWER TRANSFORMER**

COUNTRY IDENT:- A, B, C, D, E, H, K, S, T, U, V, X  
STOCK No. TXMA-00061  
PART No. D2105

COUNTRY IDENT:- M  
STOCK No. TXMA-00066  
PART No. D

COUNTRY IDENT:- J  
STOCK No. TXMA-00062  
PART No. D2135

STOCK No. S167  
PART No. 1310B5NN



STOCK No. TXOP-00001  
PART No. C3070

5	2207	3-10-02	ALL OTHER HOLES =	X = (THROUGH PLATED)	MATERIAL	DIMENSIONS IN
4	2018	2-8-01	A	E	MATERIAL THICKNESS	TOLERANCE (UNLESS OTHERWISE STATED)
3	PRE-PROD MODS (1567)	23/3/98	B	F	DRAWN S.G	DATE 19/3/97
2	1540	17/11/97	C	G	CHECKED	DATE
ISS	ECD NUMBER	DATE	D	H	APPROVED	DATE

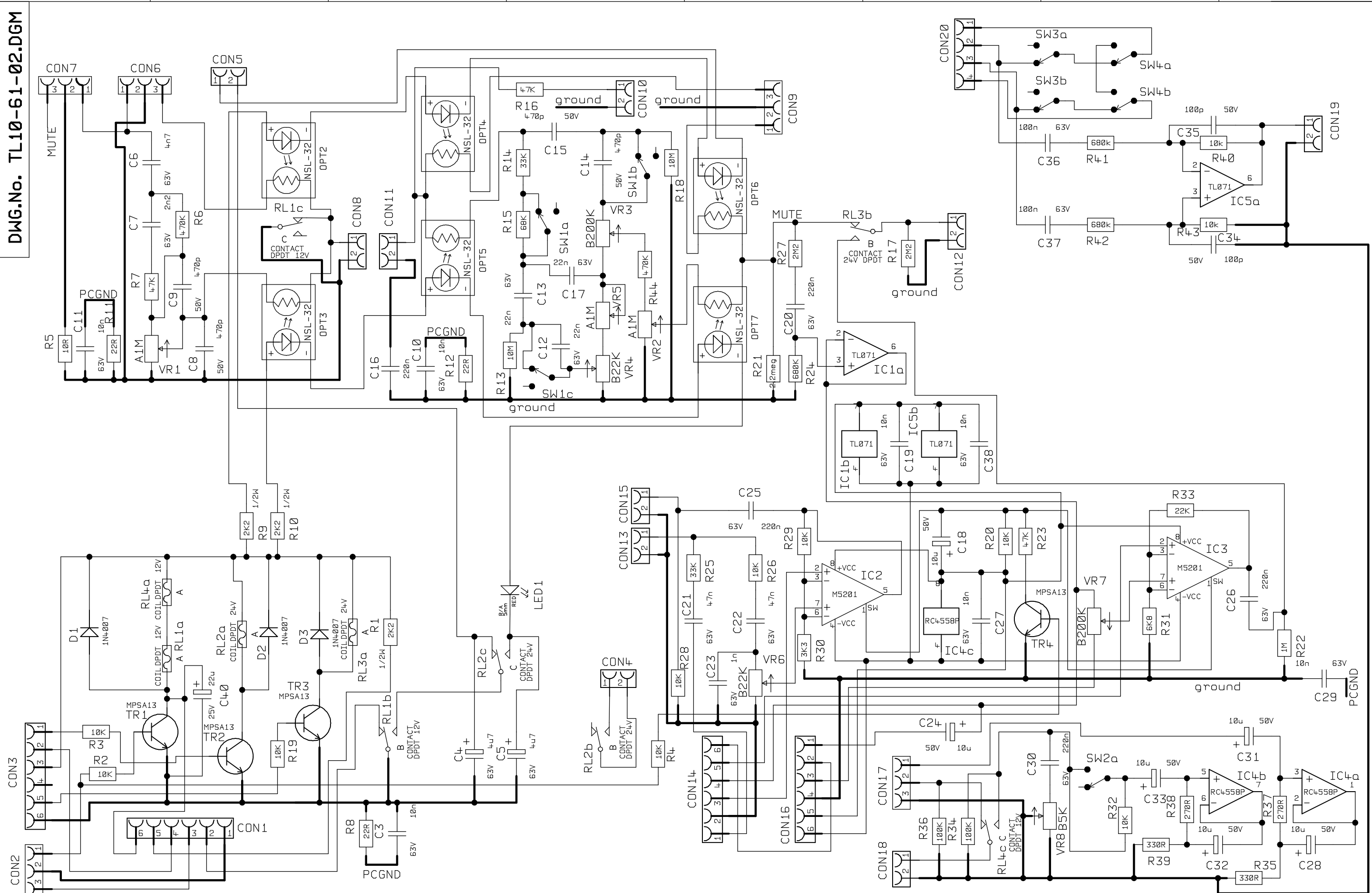
MODEL		TSL100/TSL122
-------	--	---------------

*Marshall*

© MARSHALL AMPLIFICATION PLC  
DENBIGH ROAD, BLETCHLEY, MILTON KEYNES, MK1 1DQ.  
TEL (01908) 375411 FAX (01908) 376118

TITLE	TSL100/TSL122 CIRCUIT DIAGRAM
DWG.No.	TL10-60-02.DGM
ISS	5

DWG.No. TL10-61-02.DGM



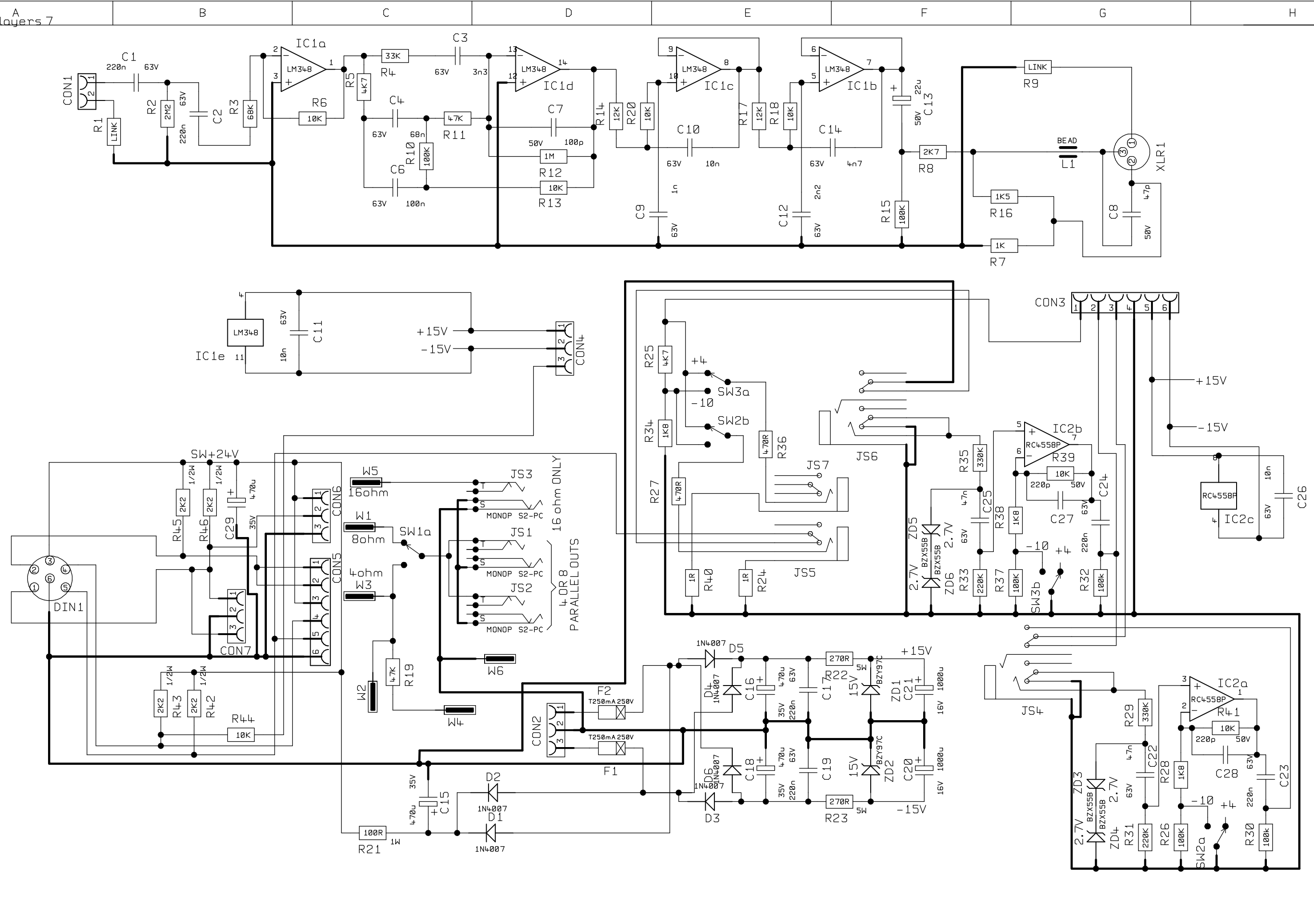
4	1622	21/4/98	ALL OTHER HOLES =				X = (THROUGH PLATED)				
3	PRE-PROD MODS (1567)	23/3/98	A			J			N		
2	PRE-PRODUCTION	2/12/97	B			K			P		
1	PRE-PRODUCTION	20/10/97	C			L			Q		
ISS	ECO NUMBER	DATE	D			M			R		

MATERIAL		DIMENSIONS IN	
MATERIAL THICKNESS		TOLERANCE (UNLESS OTHERWISE STATED)	
DRAWN SG	DATE 11-11-96	MODEL TSL100/TSL122	
CHECKED	DATE		
APPROVED	DATE		



TITLE	TSL 100 COMBO OVERDRIVE CHANNEL FRONT CONTROL PCB
DWG.No	TL10-61-02.DGM
ISS	4

DWG.No. TL10-62-02.DGM



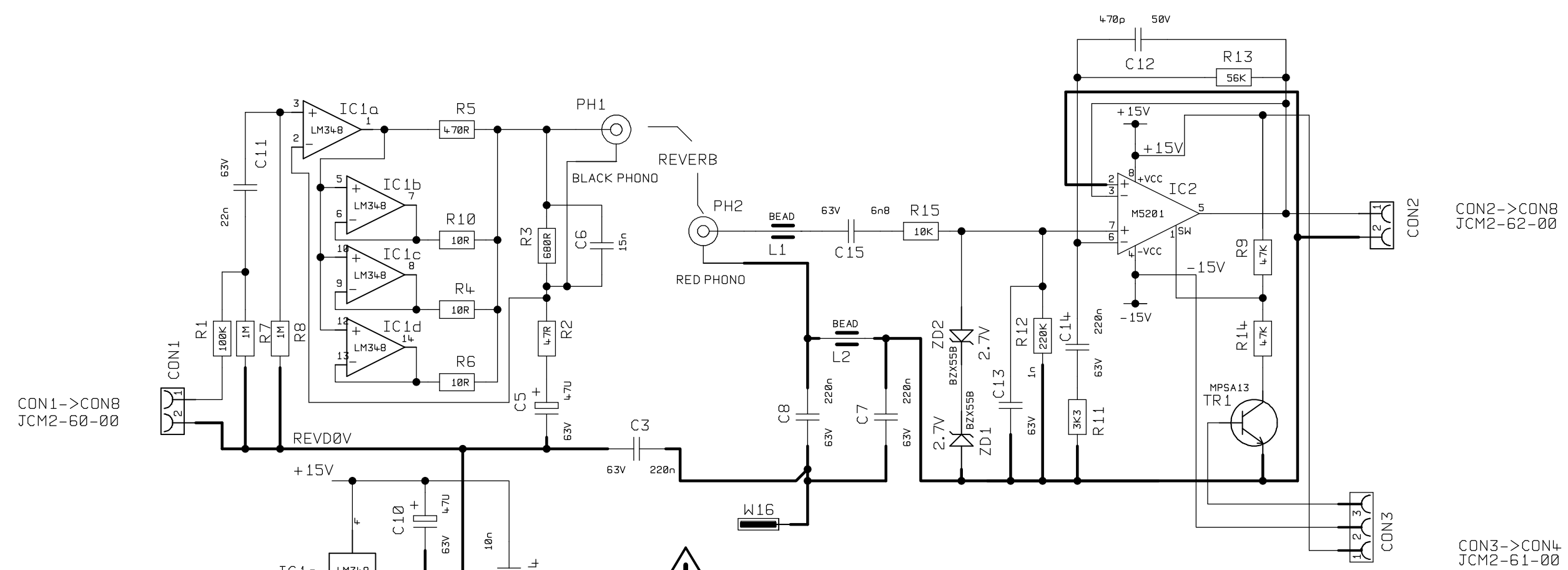
6	1663	10/9/98	ALL OTHER HOLES =	X = (THROUGH PLATED)
5	1631	24/4/98	A	E
4	1622	21/4/98	B	F
3	PRE-PROD MODS (1567)	23/3/98	C	G
ISS	ECO NUMBER	DATE	D	H

MATERIAL		DIMENSIONS IN	
MATERIAL THICKNESS		TOLERANCE (UNLESS OTHERWISE STATED)	
DRAWN SG	DATE 28-12-96	MODEL JCM2000	
CHECKED	DATE		
APPROVED	DATE		



TITLE	JCM2000 REAR/JACK PCB
DWG.No	TL10-62-02.DGM
ISS	6

DWG.No. TL10-63-02.DGM



CON1->CON8  
JCM2-60-00

CON2->CON8  
JCM2-62-00

CON3->CON4  
JCM2-61-00

!

COUNTRY IDENT:- B, C, J, M, T, U  
TYPE 19198  
T1AMP

COUNTRY IDENT:- A, D, E, H, K, S, V, X  
TYPE 19195  
T1AMP

!

STOCK No. TXMA-00066  
PART No. D2179

STOCK No. TXMA-00062  
PART No. D2135

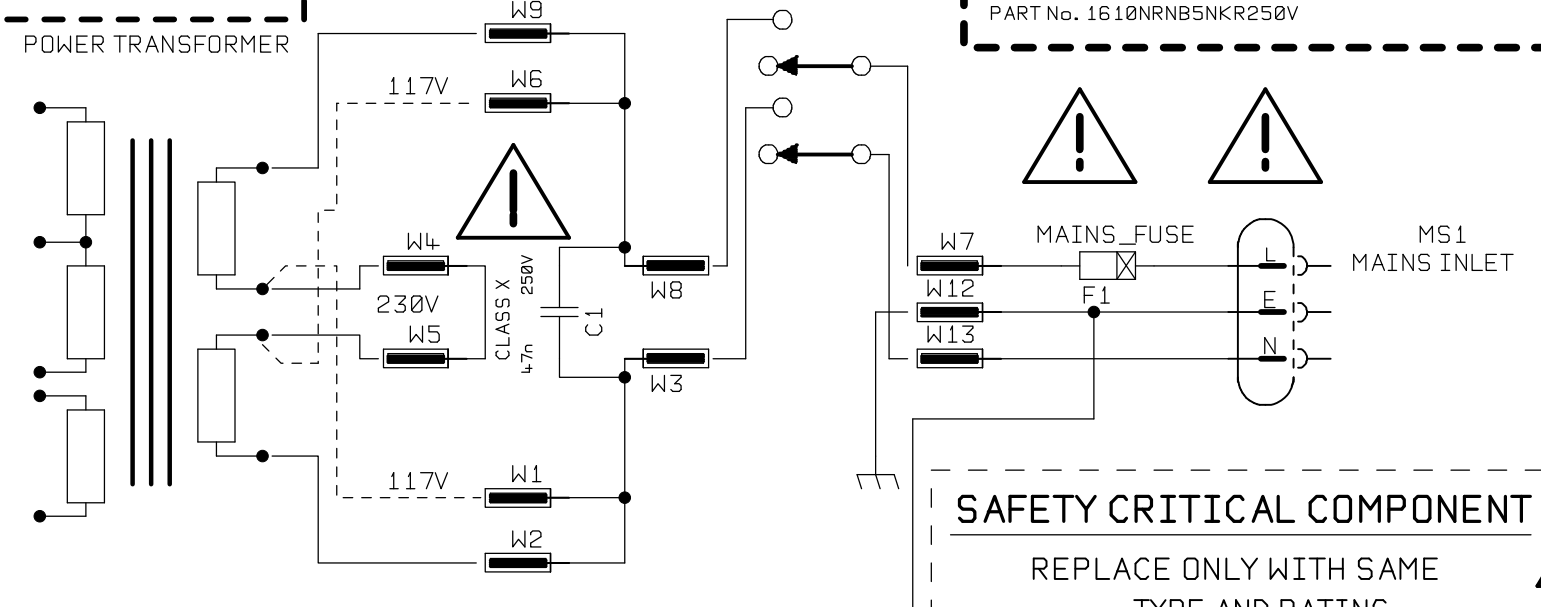
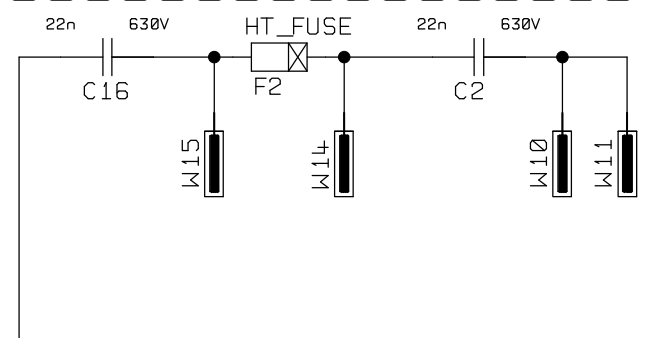
STOCK No. TXMA-00061  
PART No. D2105

POWER TRANSFORMER

!

COUNTRY IDENT:- B, C, J, M, T, U  
F1=T4AMP TYPE 19343  
MAINS SWITCH-STOCK No. S151  
PART No. 1310NB5NKR125V

COUNTRY IDENT:- A, D, E, H, K, S, V, X  
F1=T2AMP TYPE 19195  
MAINS SWITCH-STOCK No. S217  
PART No. 1610NRNB5NKR250V



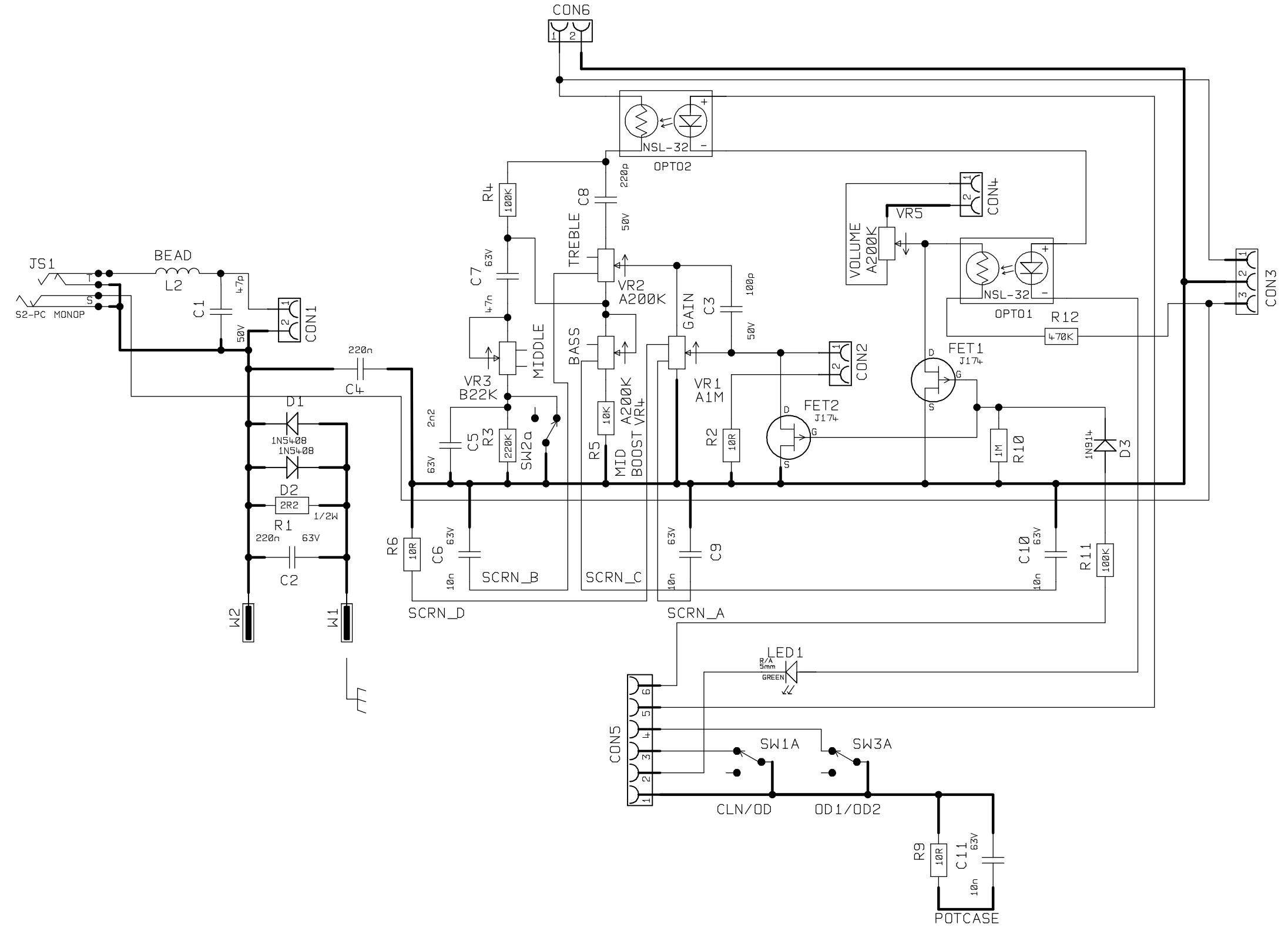
! SAFETY CRITICAL COMPONENT  
REPLACE ONLY WITH SAME  
TYPE AND RATING.

4	1663	21/9/98	ALL OTHER HOLES = X = (THROUGH PLATED)																MATERIAL	DIMENSIONS IN		<p>© MARSHALL AMPLIFICATION PLC DENBIGH ROAD, BLETCHLEY, MILTON KEYNES, MK1 10G. TEL (01908) 375411 FAX (01908) 376118</p>	TITLE	JCM2000 TSL100/TSL122 REVERB/MAINS INPUT		
3	1524	17/11/97	A																		MATERIAL THICKNESS		TOLERANCE (UNLESS OTHERWISE STATED)		<p>ISS</p> <p>ECO NUMBER</p> <p>DATE</p>	<p>DWG.No</p> <p>TL10-63-02.DGM</p> <p>ISS 4</p>
2	1466	1/8/97	B																	DRAWN	SG		DATE	28-12-96		
1	PRODUCTION ISSUE	30/4/97	C																	CHECKED			DATE		MODEL	TSL100/TSL122
ISS	ECO NUMBER	DATE	D																	APPROVED			DATE			

ignorelayers 7

DWG.No. TL10-65-02.DGM

# CLEAN CHANNEL



4	PRE-PROD MODS (1567)	23/3/98	ALL OTHER HOLES = X = (THROUGH PLATED)															
3	1567	15/1/98	A		E			J		N								
2	PRE-PRODUCTION	2/12/97	B		F			K		P								
1	PRE-PRODUCTION	20/10/97	C		G			L		Q								
ISS	ECO NUMBER	DATE	D		H			M		R								

MATERIAL		DIMENSIONS IN	
MATERIAL THICKNESS		TOLERANCE (UNLESS OTHERWISE STATED)	
DRAWN SG	DATE 1-5-97	MODEL TSL100/TSL122	
CHECKED	DATE		
APPROVED	DATE		



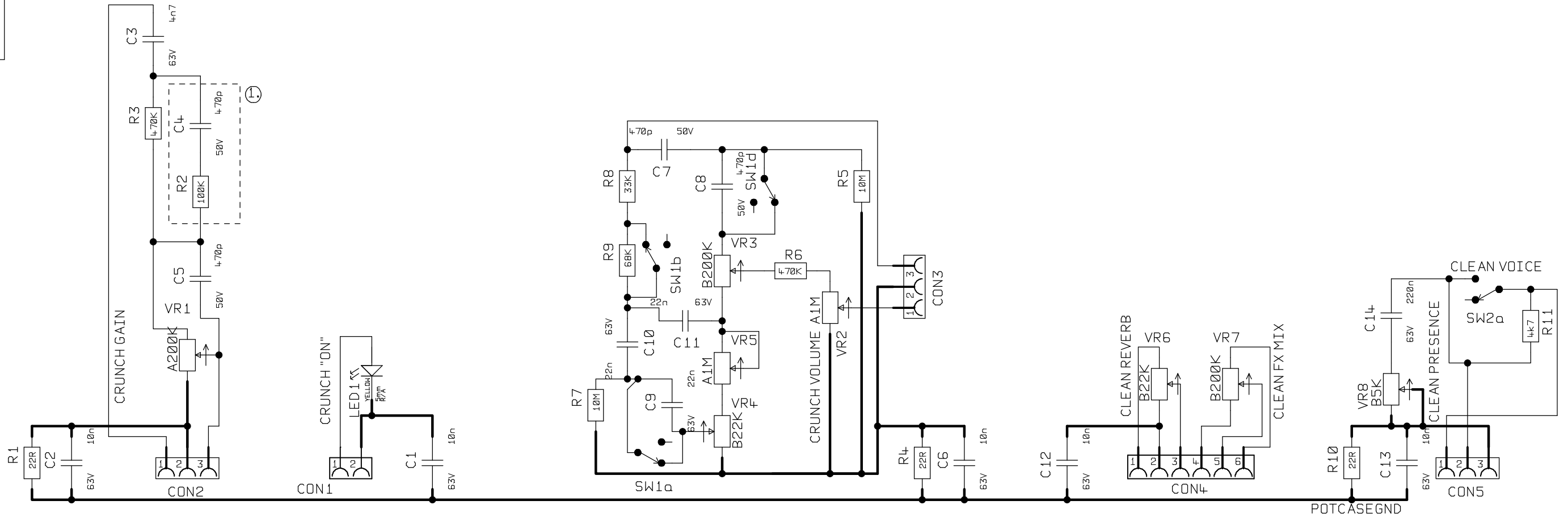
TITLE	CLEAN CHANNEL
DWG.No	TL10-65-02.DGM
ISS	4

ignorelayers 7

DWG.No. TL10-66-01.DGM

# CRUNCH CHANNEL

1. C10 & R12 NOT FITTED



2	PRE-PROD MODS (1567)	23/3/98
1	PRE-PRODUCTION	20/10/97
ISS	ECO NUMBER	DATE

ALL OTHER HOLES =		X = (THROUGH PLATED)	
A	E	J	N
B	F	K	P
C	G	L	Q
D	H	M	R

MATERIAL	DIMENSIONS IN
MATERIAL THICKNESS	TOLERANCE (UNLESS OTHERWISE STATED)
DRAWN SG	DATE 27-3-97
CHECKED	DATE
APPROVED	DATE

MODEL	TSL100/TSL122
-------	---------------



TITLE	CRUNCH CHANNEL
DWG.No	TL10-66-01.DGM
ISS	2