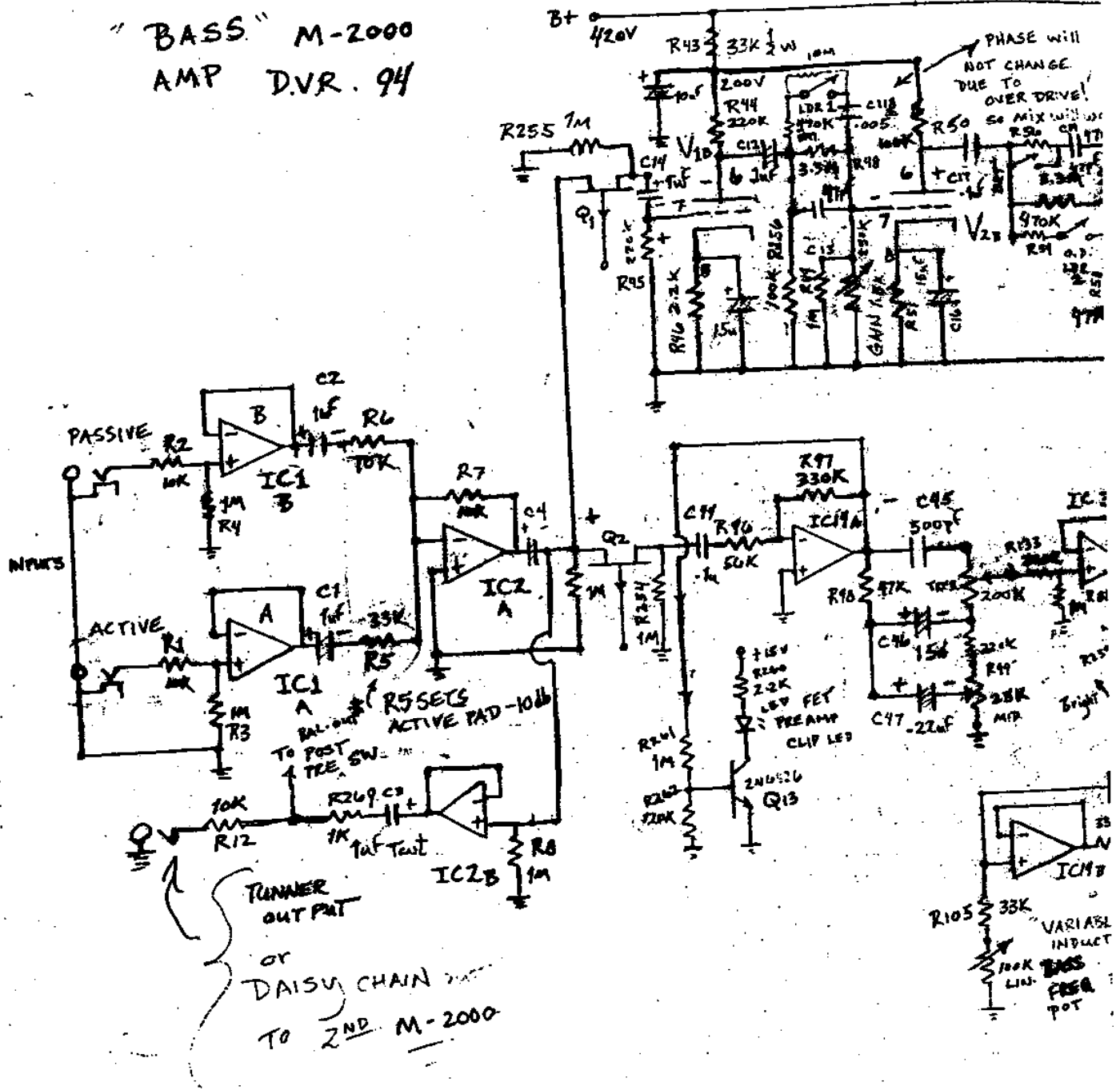


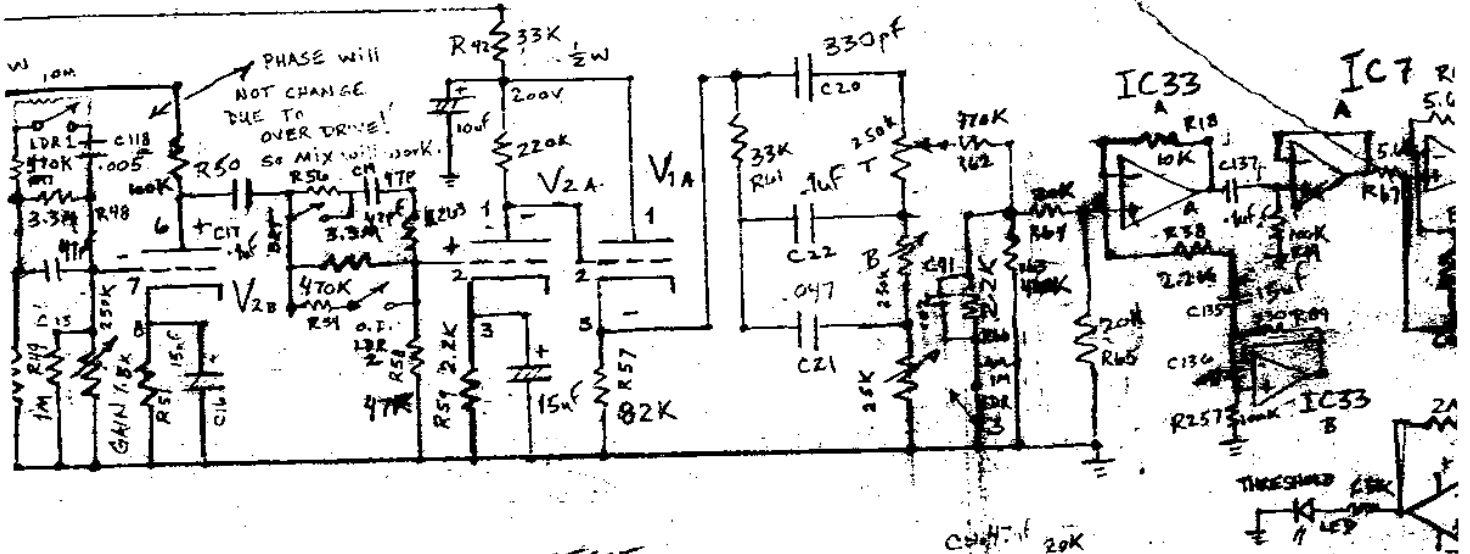
MESA/BOOGIE[®]
M-2000

"BASS" M-2000 AMP D.V.R. 94

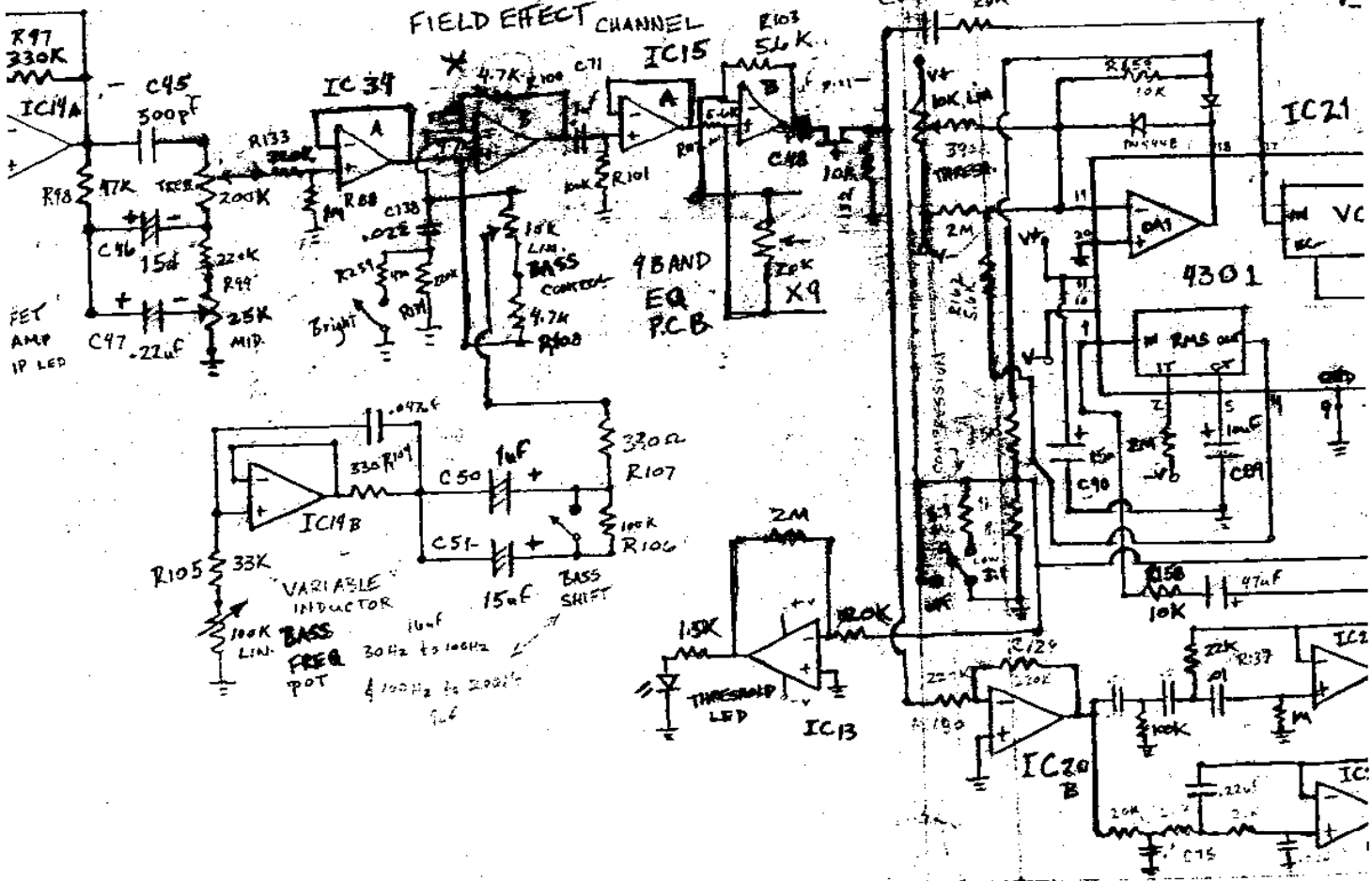
VACUUM



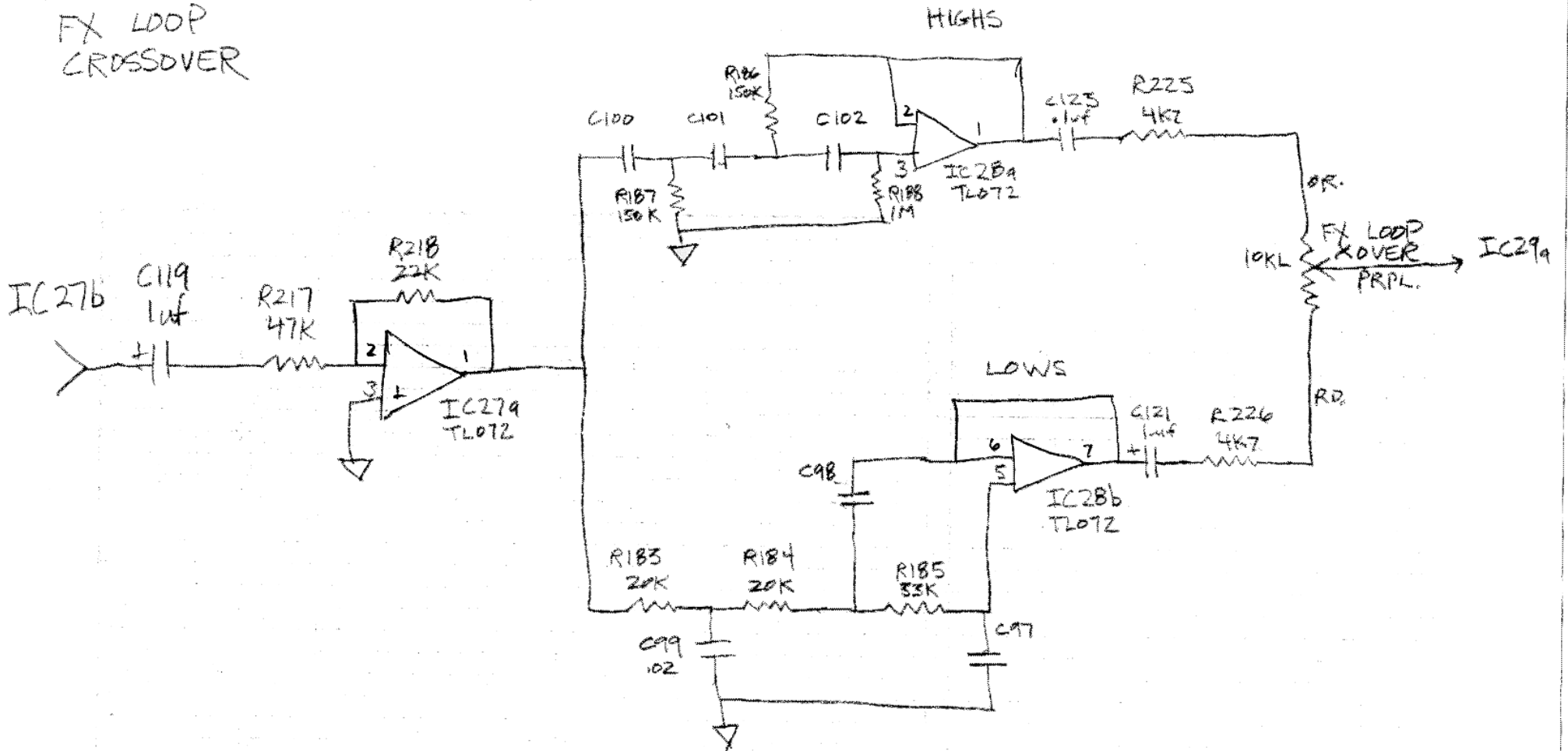
VACUUM-TUBE CHANNEL



FIELD EFFECT CHANNEL



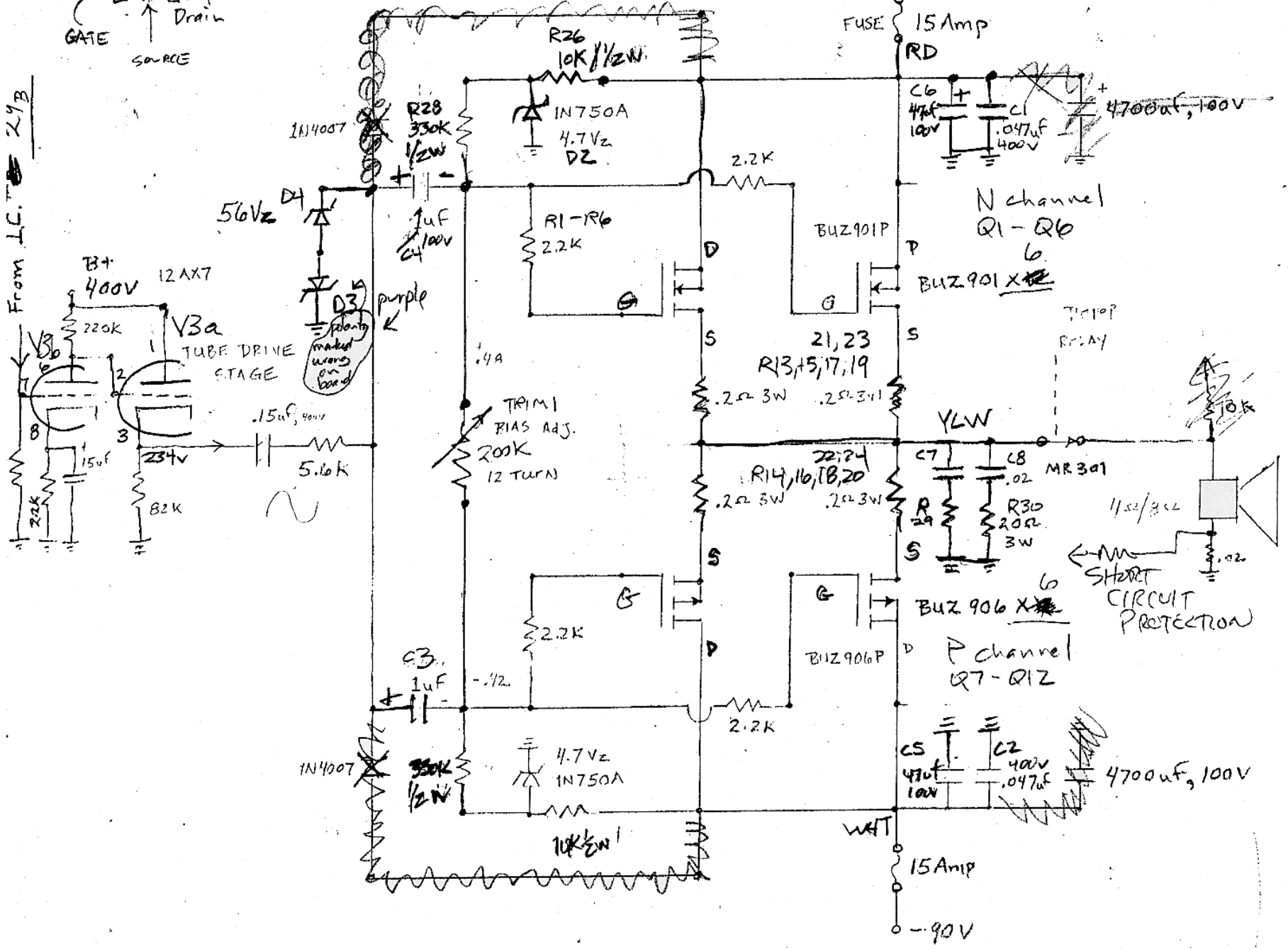
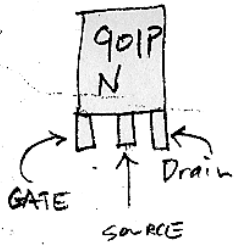
M2000 FX LOOP CROSSOVER



DVR
4-18-95

M2000 OUTPUT
M2000-C MOSFET BOARD

From I.C. 29B



1N4007

56Vz

B+ 400V
220K
12AX7
V3a
TUBE DRIVE STAGE
150f
234V
82K

D3
4.7Vz
marked wrong on board

.15uF, 400V
5.6K

1N4007

R28
330K
1/2W

R26
10K 1/2W
IN750A
4.7Vz
DZ

R1-R6
2.2K

TRIM1
BIAS ADJ.
200K
12 TURN

330K
1/2W
4.7Vz
IN750A

+90V
FUSE 15Amp
RD

C6
47uF
100V
C1
.047uF
400V
4700uF, 100V

N channel
Q1-Q6

BUZ901P
P
BUZ901X

21, 23
R13, 15, 17, 19
.2Ω 3W
.25-3V1

TRIP
RELAY

YLW

R14, 16, 18, 20
.2Ω 3W
22.74
.2Ω 3W

C7
R29
C8
.02
MR301
R30
20Ω
3W

1.52/3.22
SHORT CIRCUIT PROTECTION

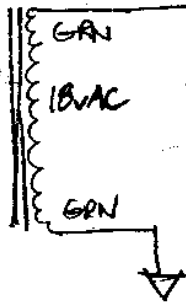
BUZ906P
P channel
Q7-Q12

C5
47uF
100V
C2
40uV
.047uF
4700uF, 100V

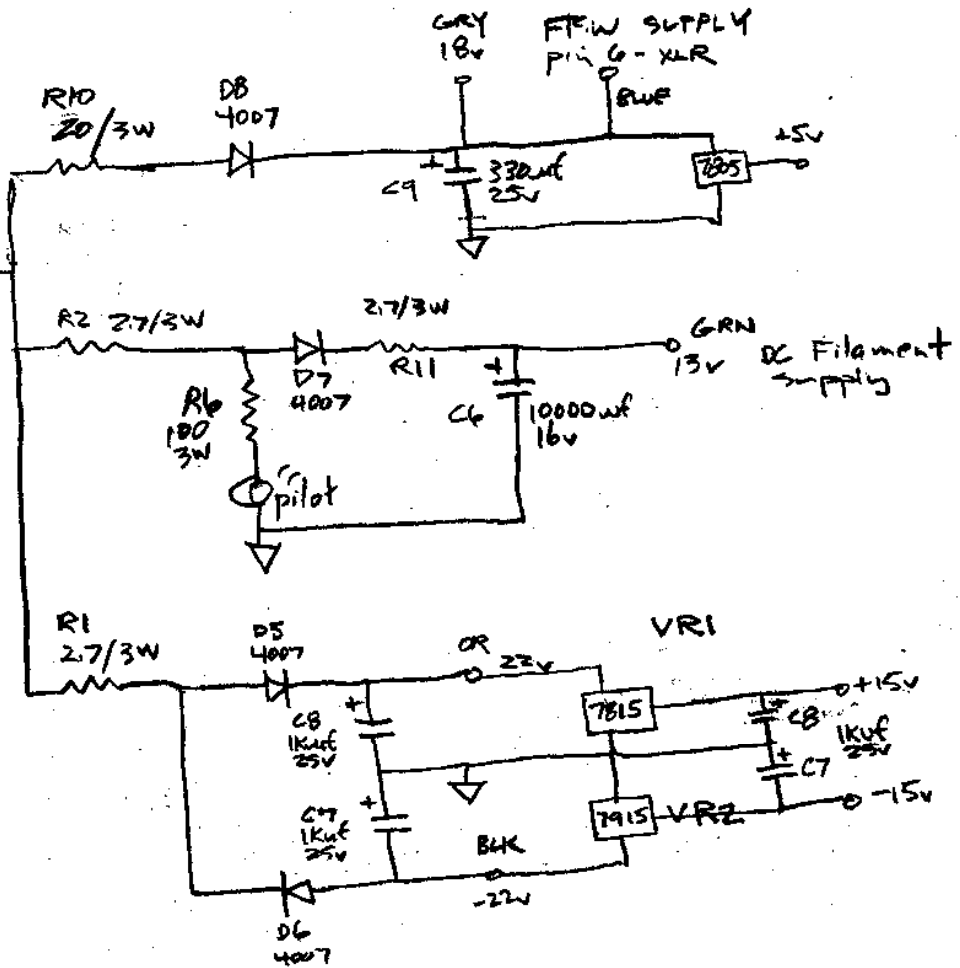
-90V
15Amp
WAT

1M20003-C
PWR SUPPLY

LOW V
SUPPLIES



DOMESTIC
PWR XFMR
561700



*517025
Bridge
25v

