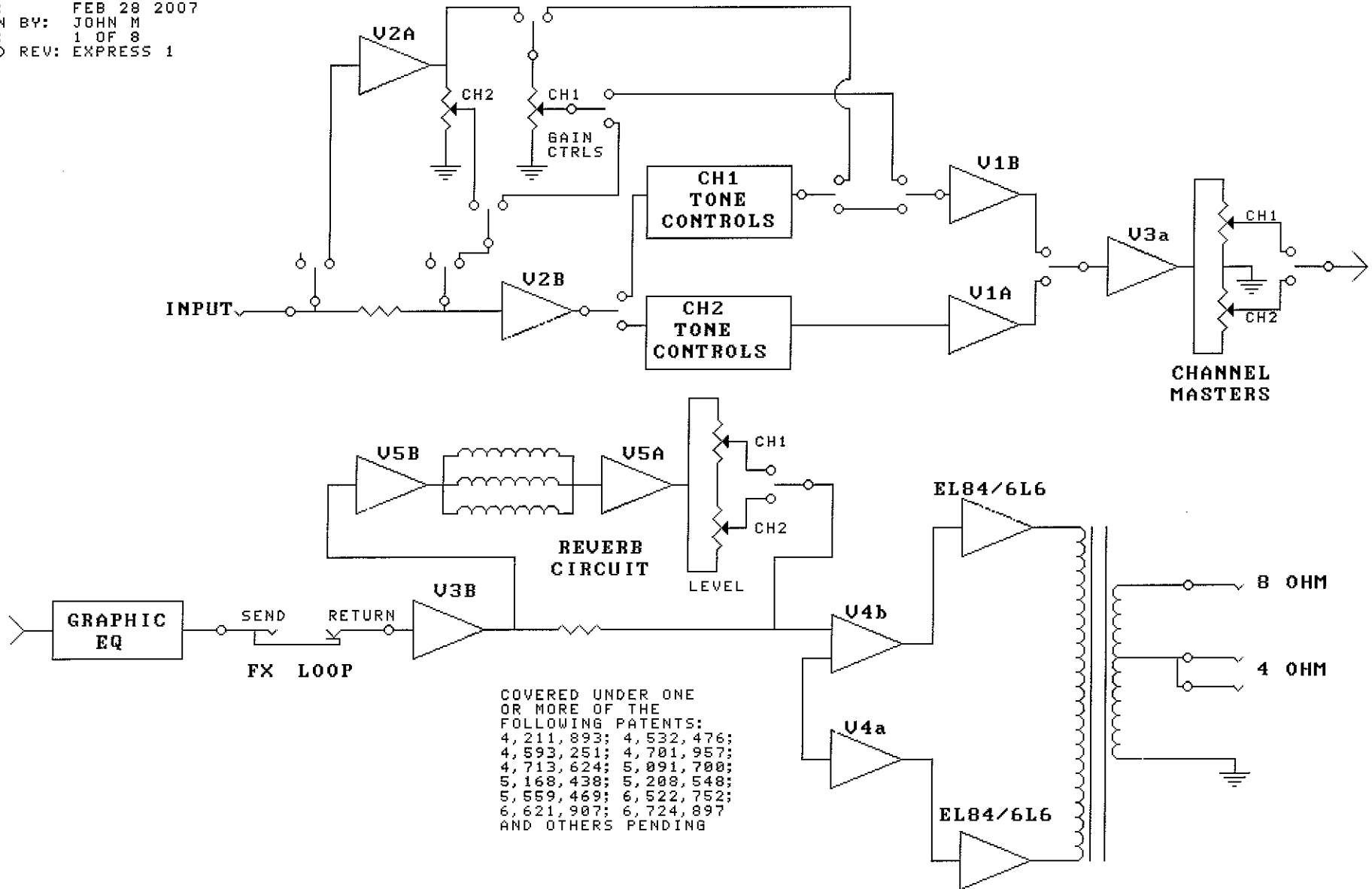


MESA/BOOGIE

EXPRESS 5:25, 5:50

BLOCK DIAGRAM

FILE: EXPBLK.S01
 DATE: FEB 28 2007
 DRAWN BY: JOHN M
 PAGE: 1 OF 8
 BOARD REV: EXPRESS 1

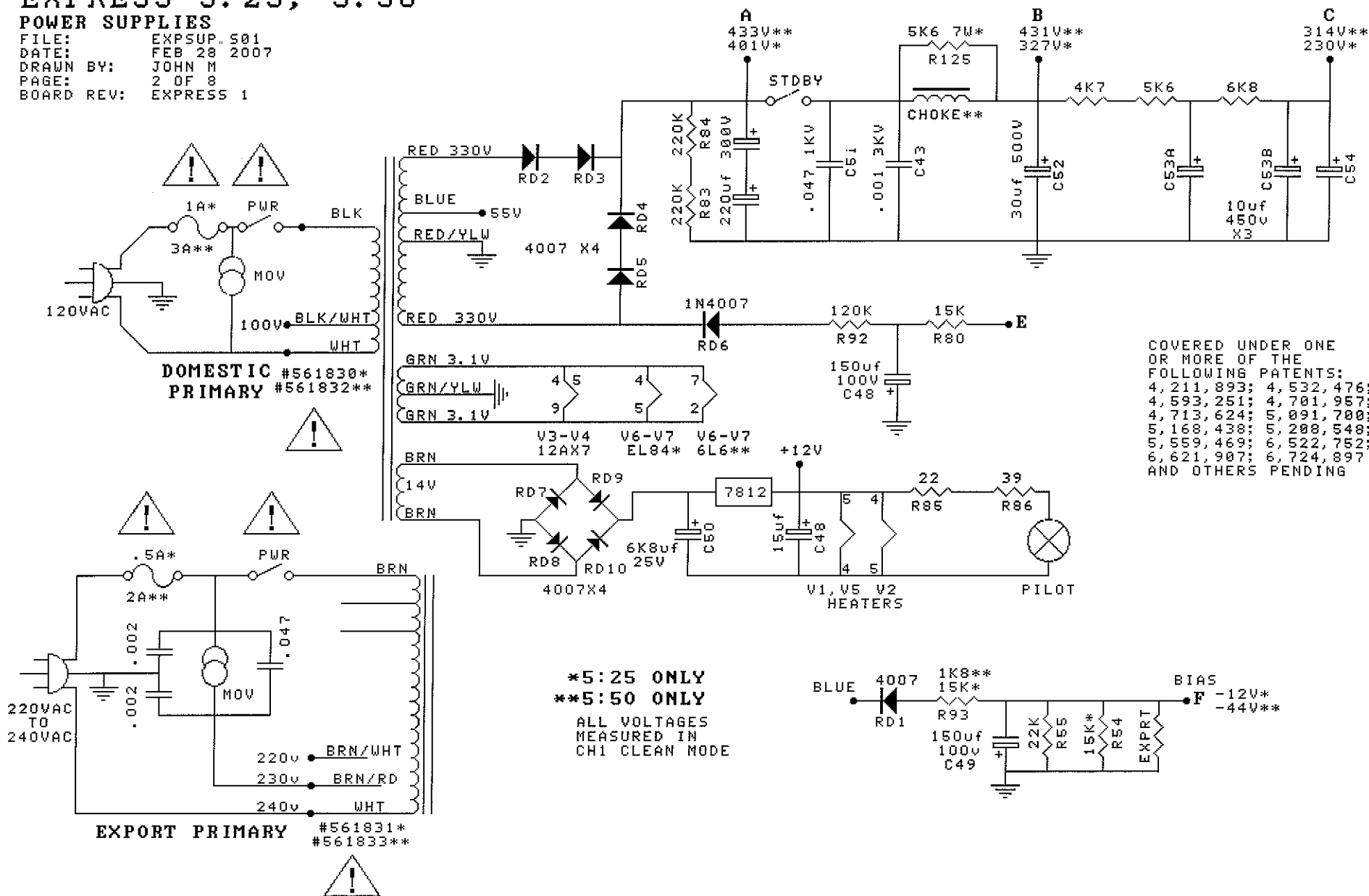


MESA/BOOGIE

EXPRESS 5:25, 5:50

POWER SUPPLIES

FILE: EXPSUP.501
 DATE: FEB 28 2007
 DRAWN BY: JOHN M
 PAGE: 2 OF 8
 BOARD REV: EXPRESS 1

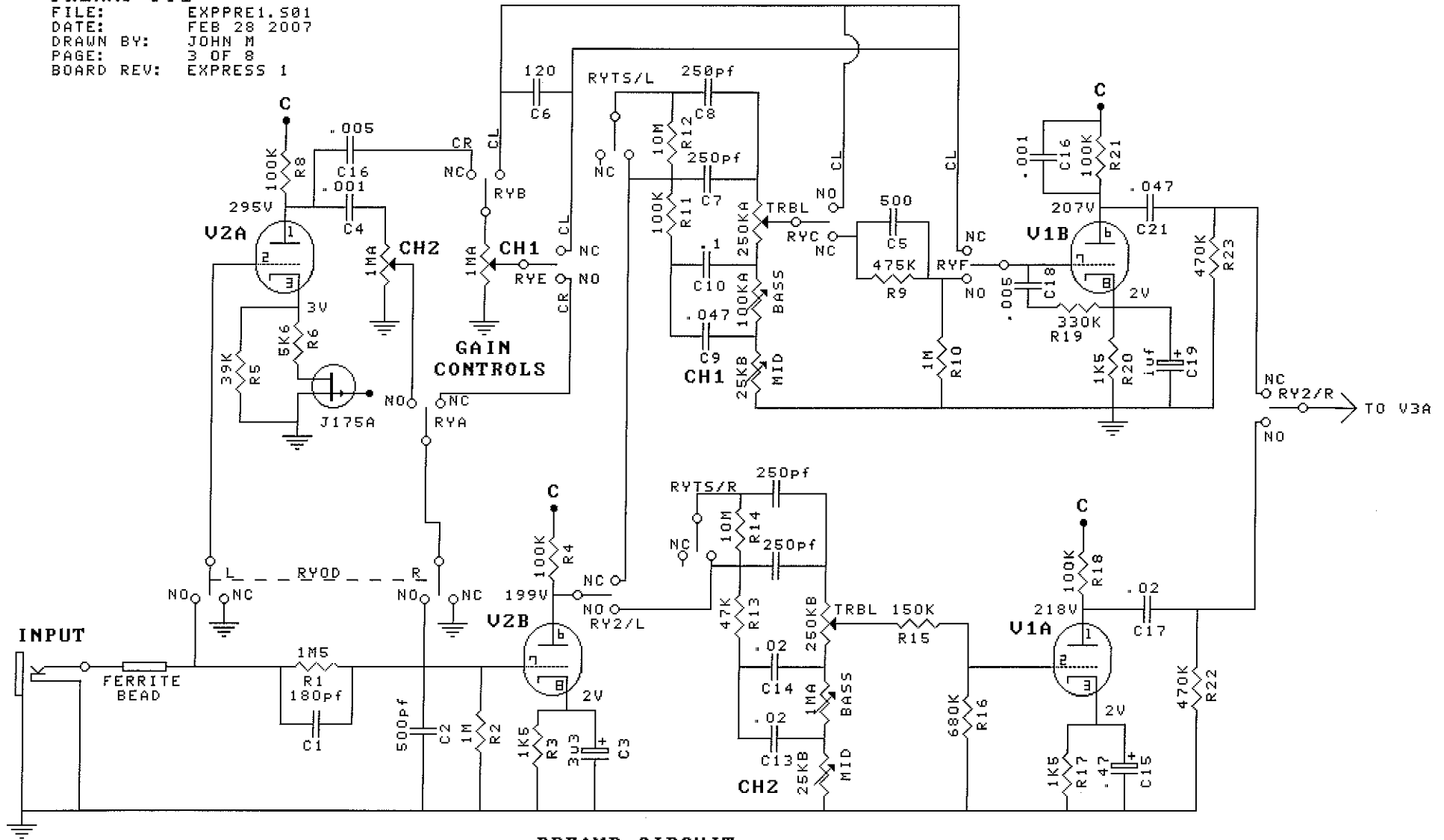


MESA/BOOGIE

EXPRESS 5:25, 5:50

PREAMP PT1

FILE: EXPPRE1.501
DATE: FEB 28 2007
DRAWN BY: JOHN M
PAGE: 3 OF 8
BOARD REV: EXPRESS 1



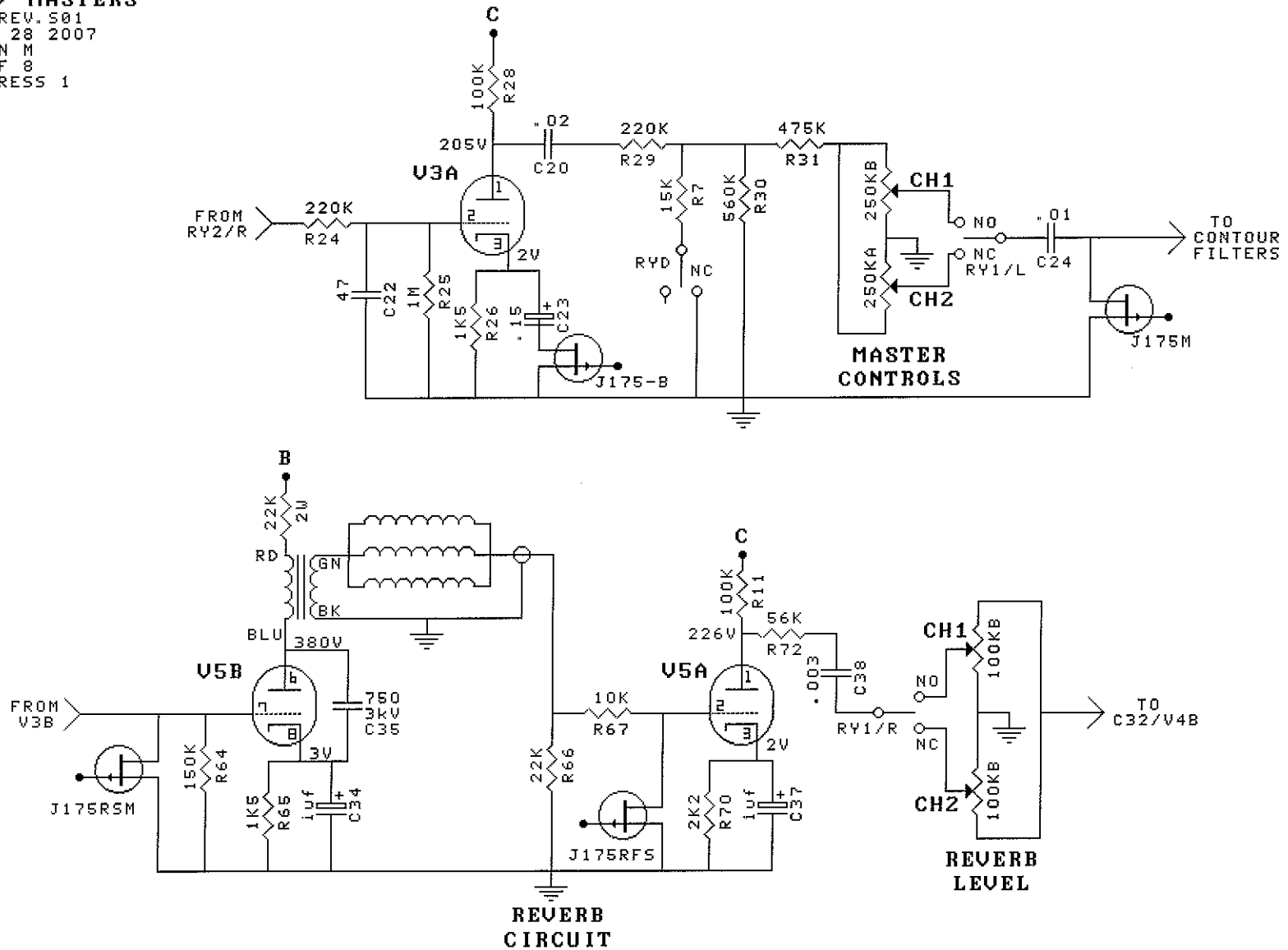
PREAMP CIRCUIT
PATENT #4,701,957

MESA/BOOGIE

EXPRESS 5:25, 5:50

REV CIRCUIT/ MASTERS

FILE: EXPREV.S01
DATE: FEB 28 2007
DRAWN BY: JOHN M
PAGE: 4 OF 8
BOARD REV: EXPRESS 1

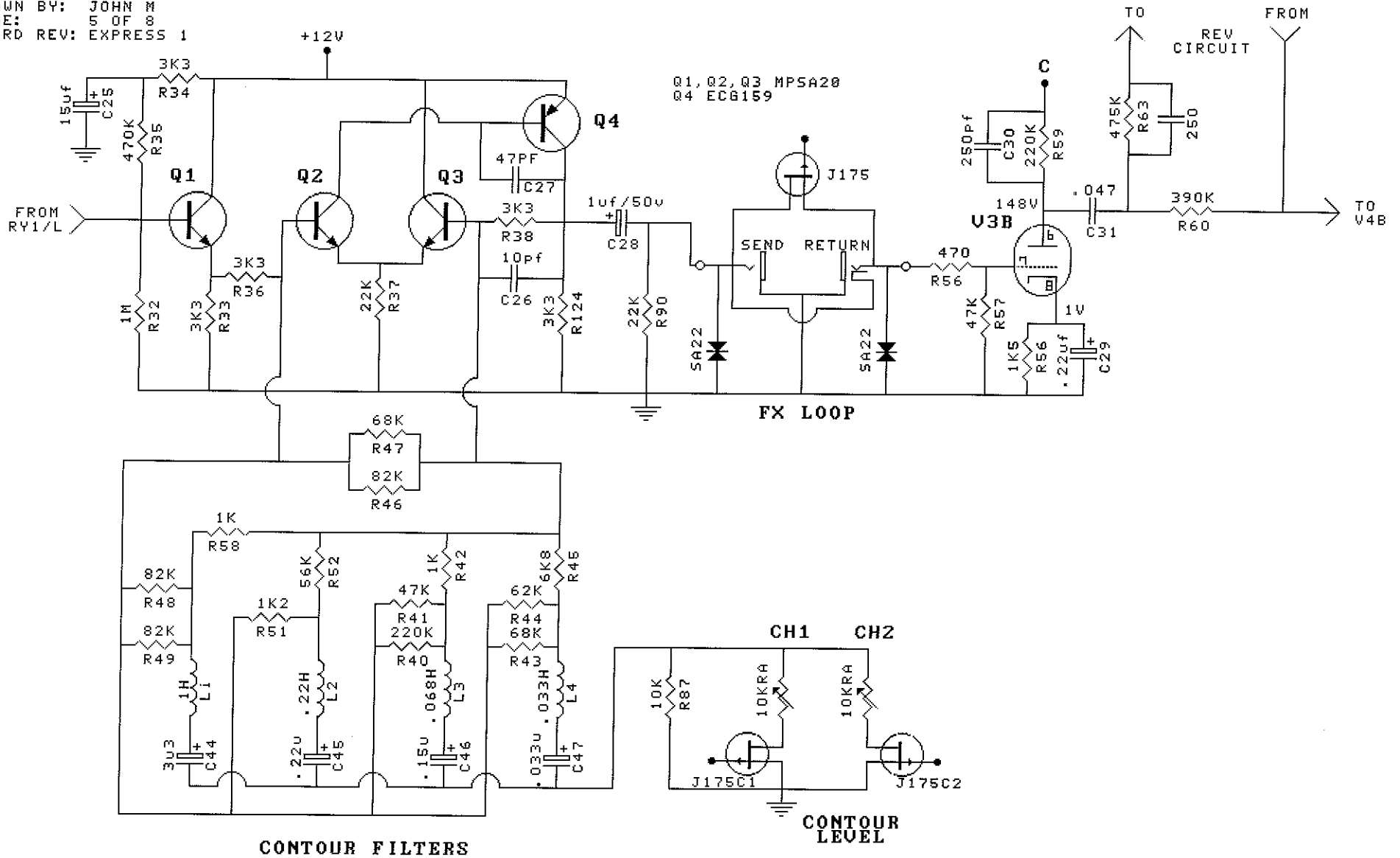


MESA/BOOGIE

EXPRESS 5:25, 5:50

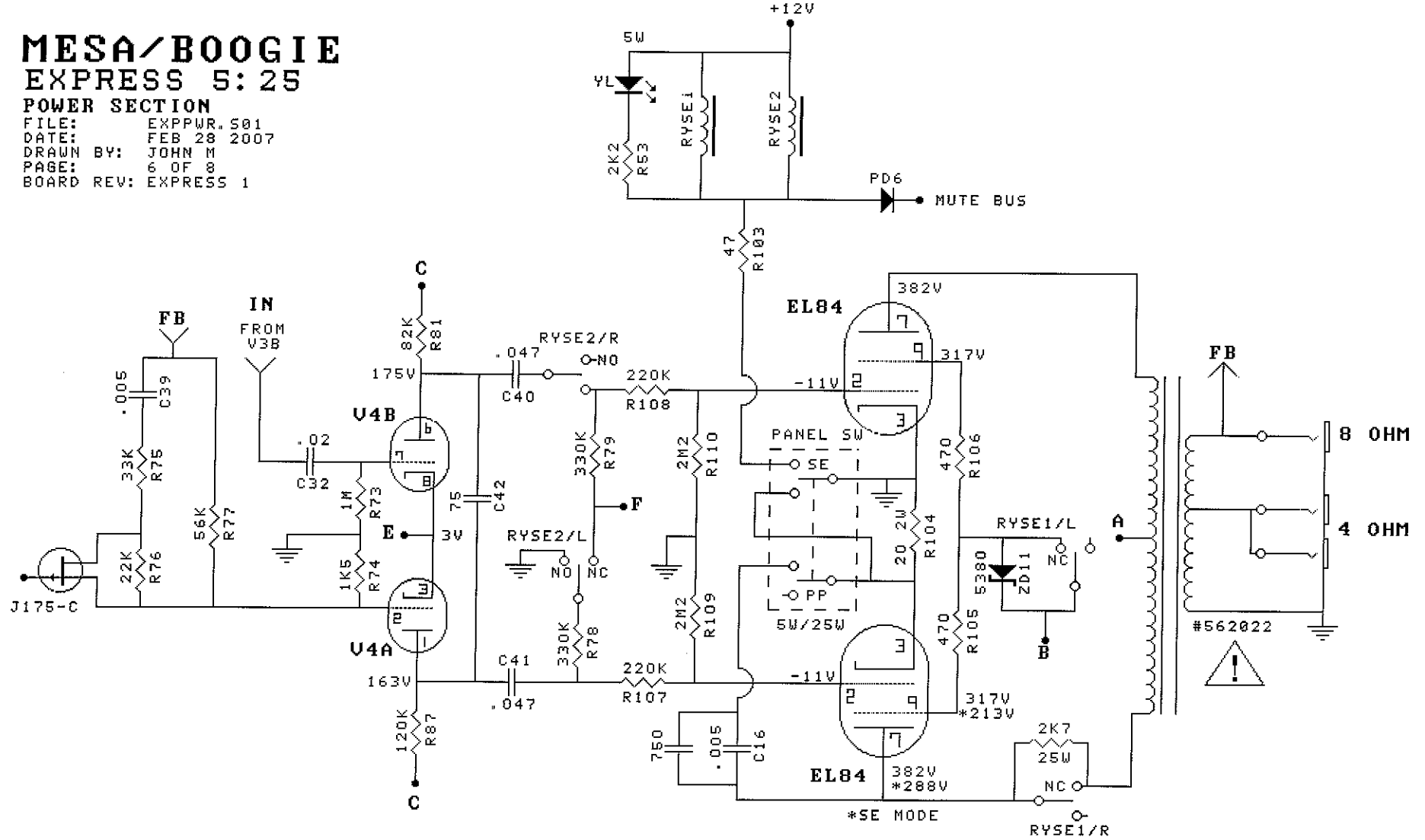
CONTOUR/LOOP

FILE: EXPLP.S01
 DATE: FEB 28 2007
 DRAWN BY: JOHN M
 PAGE: 5 OF 8
 BOARD REV: EXPRESS 1



MESA/BOOGIE EXPRESS 5:25

POWER SECTION
 FILE: EXPPWR.501
 DATE: FEB 28, 2007
 DRAWN BY: JOHN M
 PAGE: 6 OF 8
 BOARD REV: EXPRESS 1



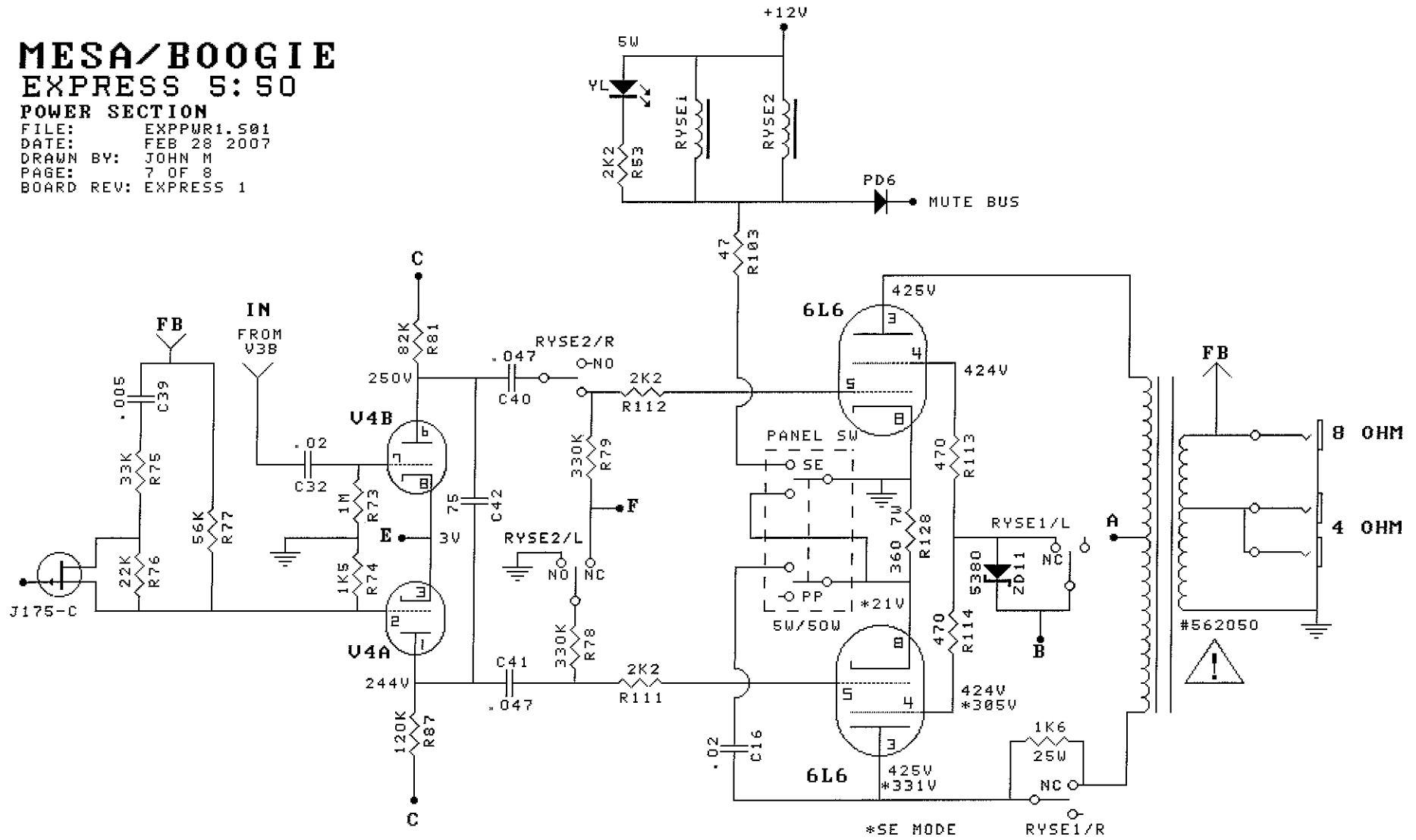
DYNA-WATT POWER
 PATENT# 4,713,624

PUSH/PULL-SINGLE ENDED SWITCHING
 PATENT GRANTED/NOT YET ISSUED

MESA/BOOGIE EXPRESS 5:50

POWER SECTION

FILE: EXPPMR1.501
 DATE: FEB 28 2007
 DRAWN BY: JOHN M
 PAGE: 7 OF 8
 BOARD REV: EXPRESS 1



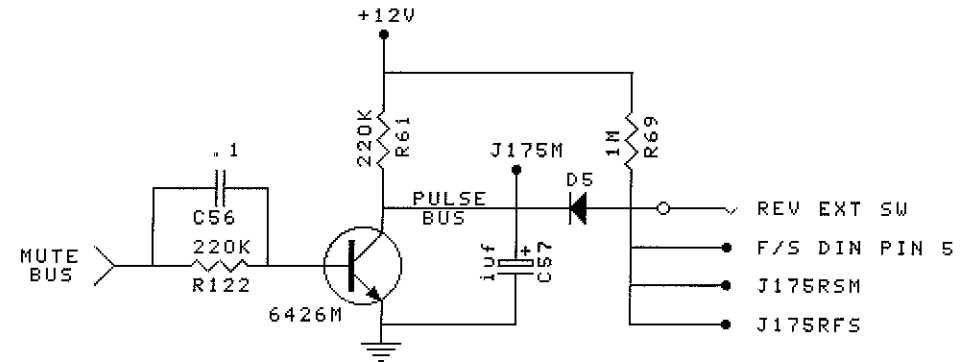
PUSH/PULL-SINGLE ENDED SWITCHING
 PATENT GRANTED/NOT YET ISSUED

MESA/BOOGIE

EXPRESS 5:25, 5:50

SWITCH MATRIX

FILE: EXPSW1.S01
 DATE: FEB 28 2007
 DRAWN BY: JOHN M
 PAGE: 8 OF 8
 BOARD REV: EXPRESS 1



MUTE CIRCUIT
 PATENT #6,621,907

