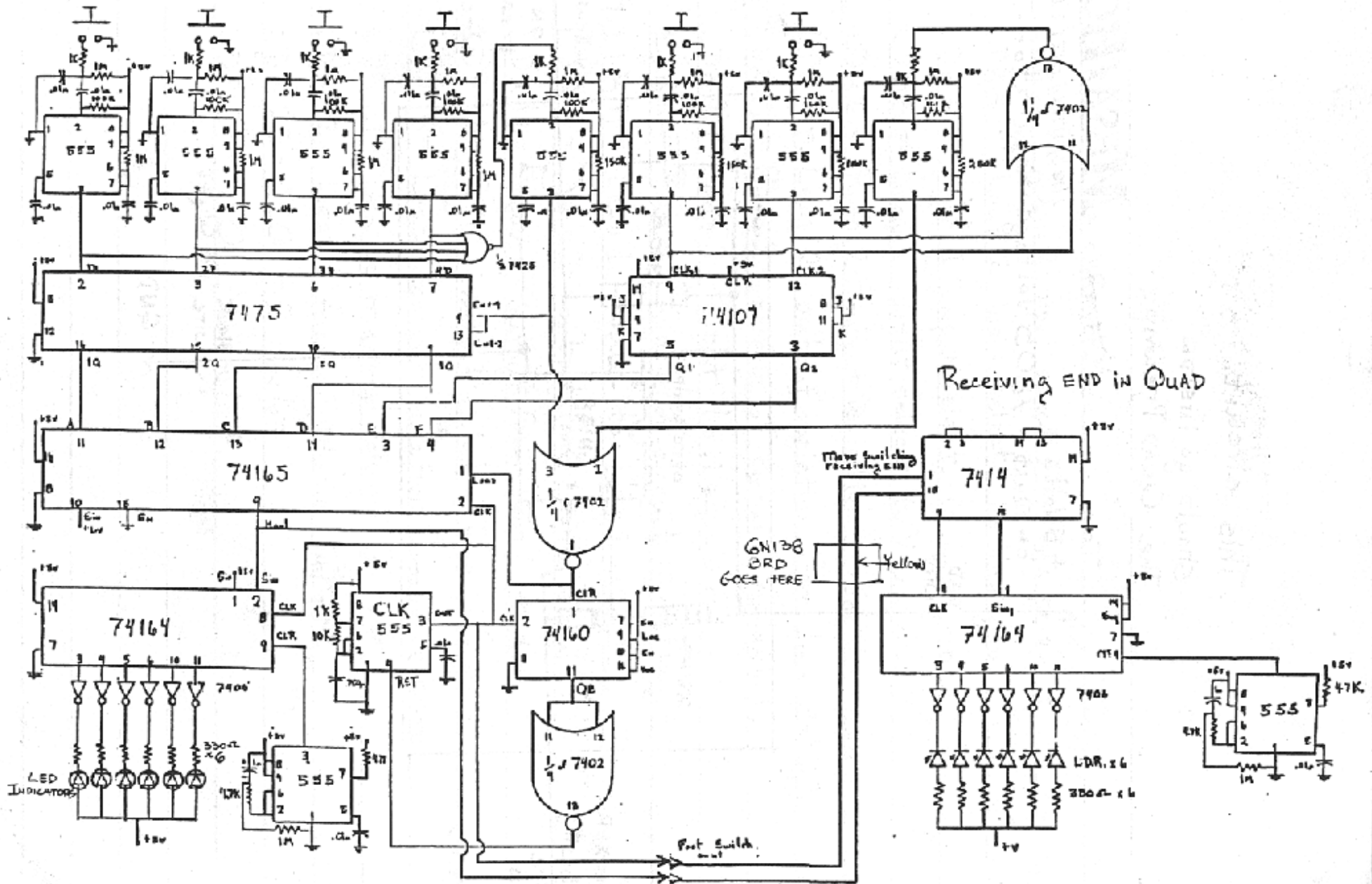
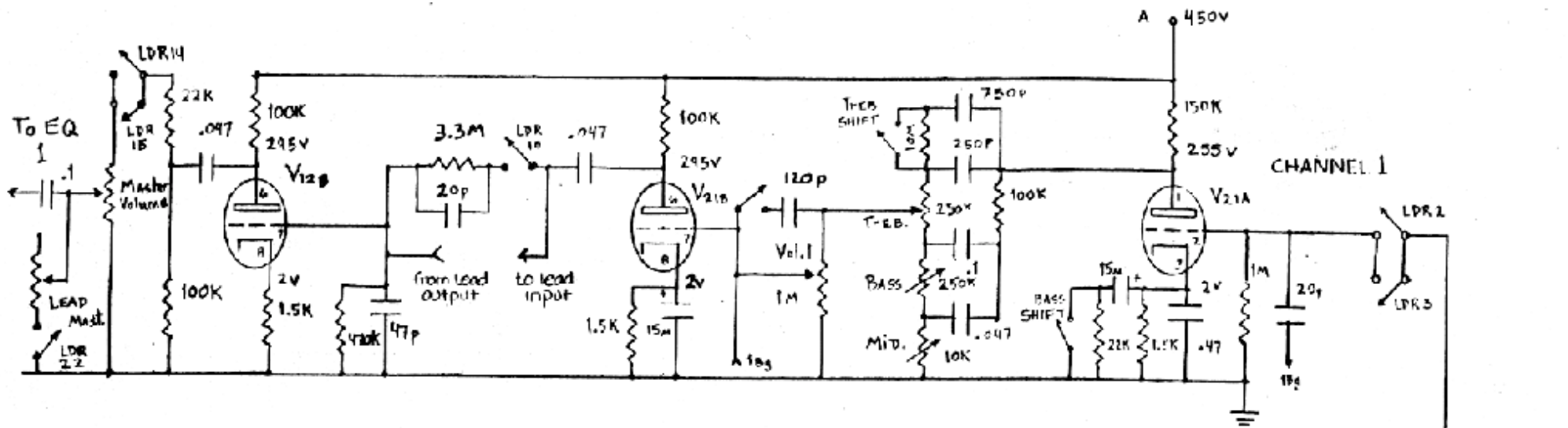
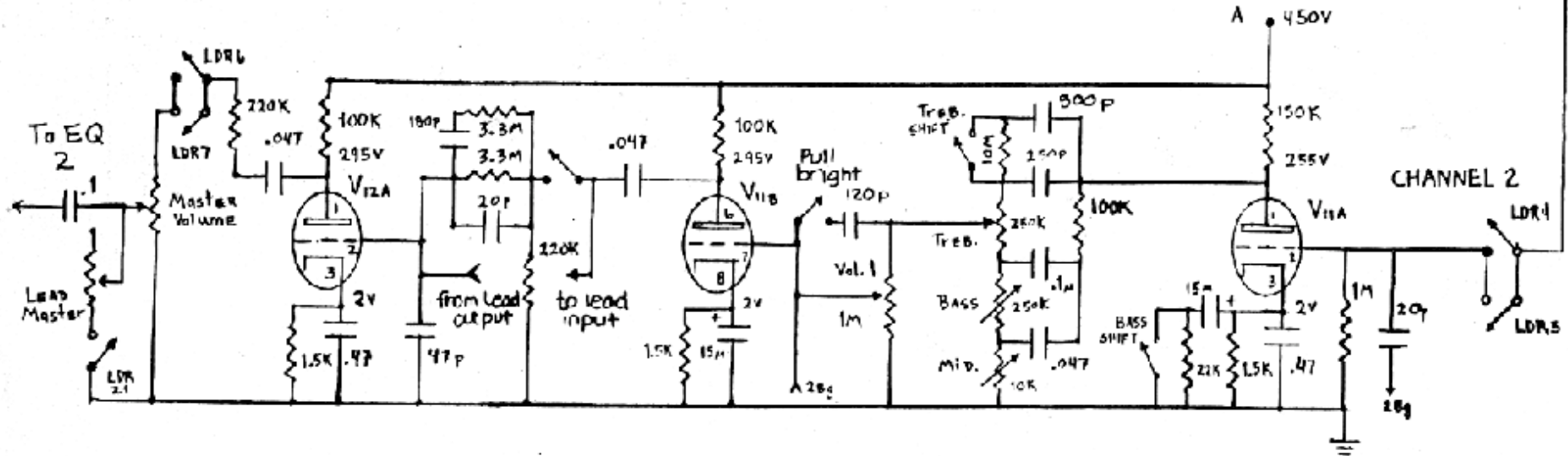


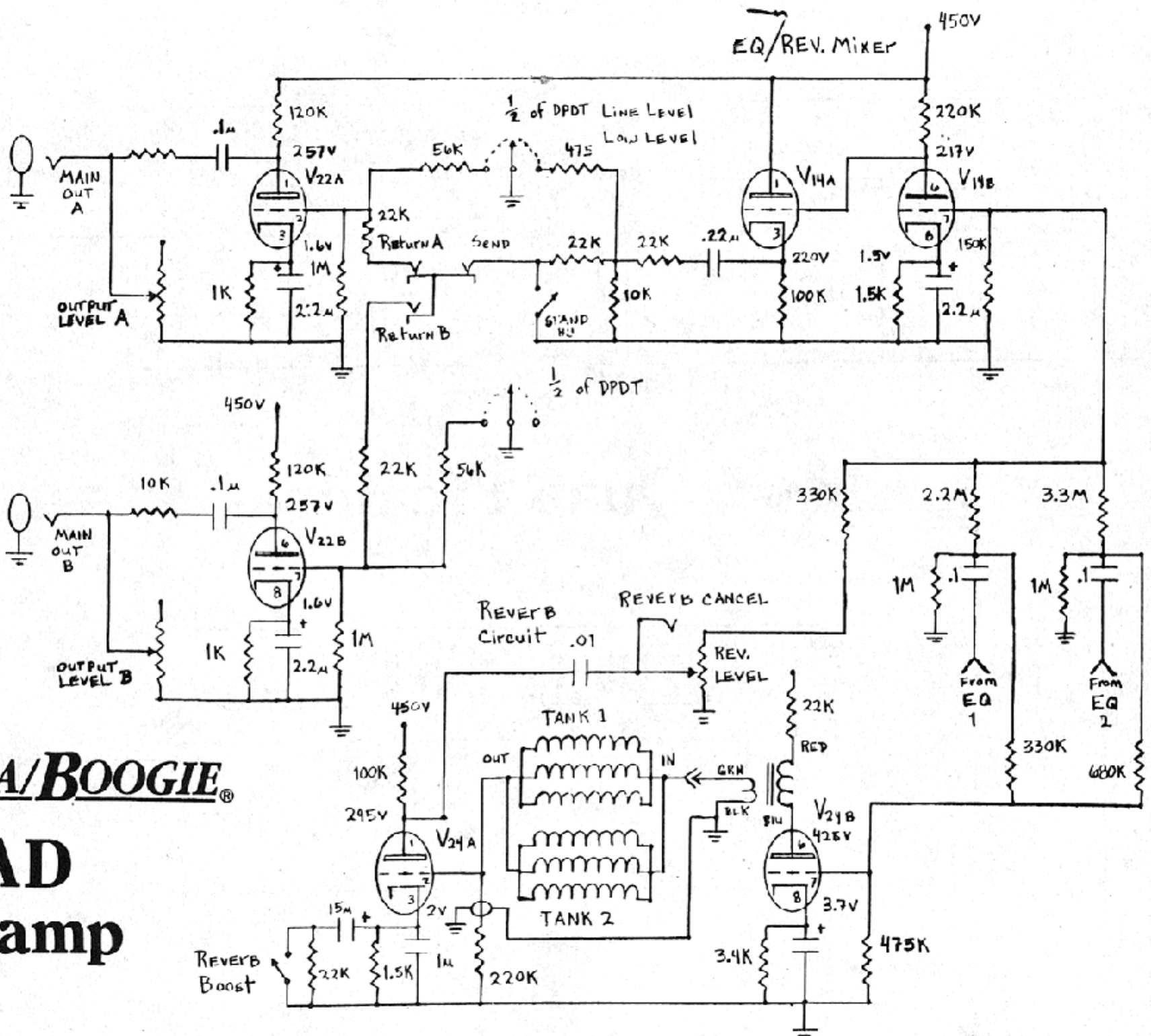
QUAD Foot switch MESA Boogie®





MESA/BOOGIE® Quad Preamp



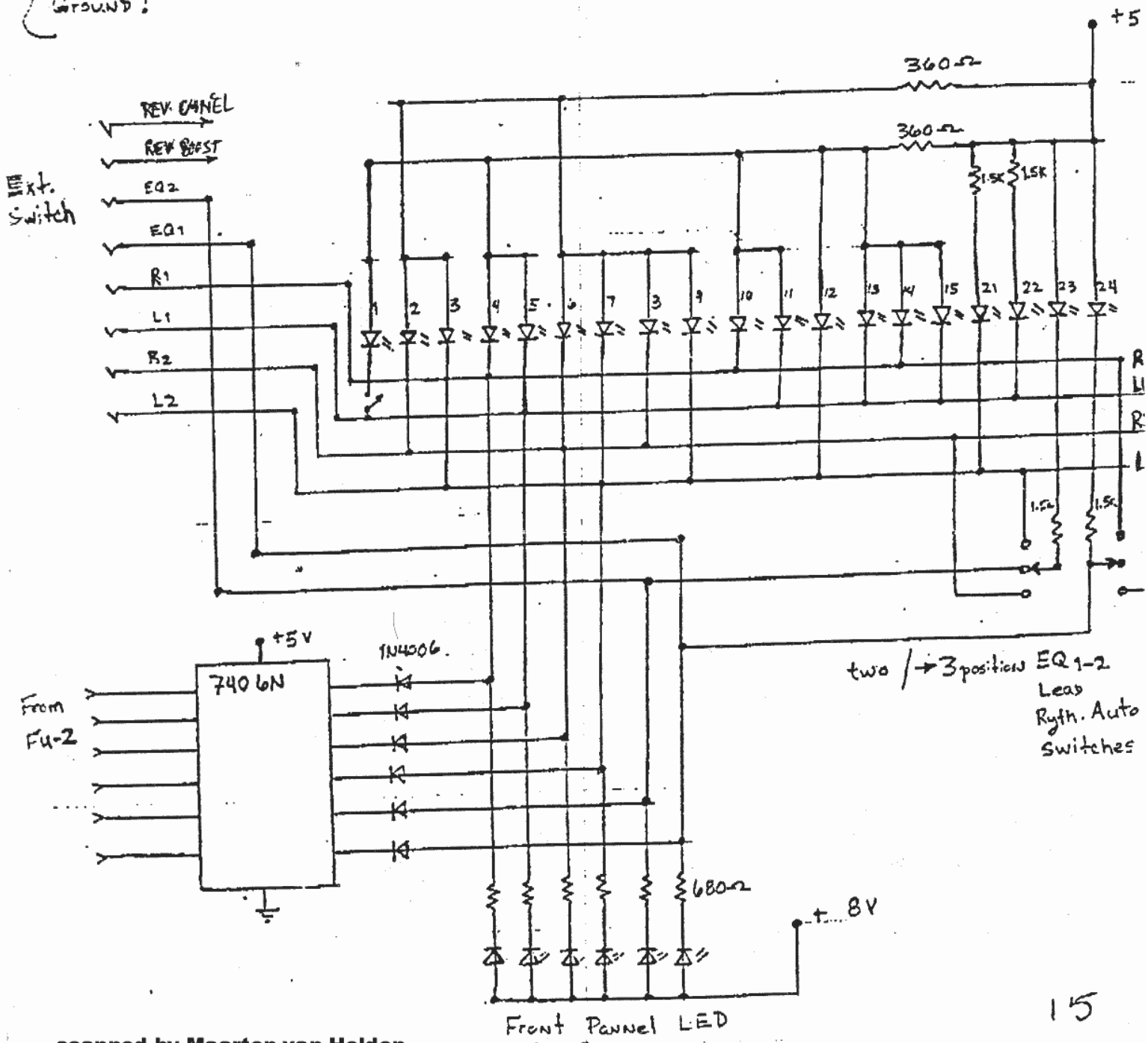


MESA/BOOGIE®

**QUAD
Preamp**

- LDR 1 = Treble shift ch.#1
- LDR 2 = Ryth. 2 input select, to V_{11A} grid.
- LDR 3 = Lead 2 input select, to V_{11A} grid.
- LDR 4 = Ryth. 1 input select, to V_{21A} grid.
- LDR 5 = Lead 1 input select, to V_{21A} grid.
- LDR 6 = Ryth. 2 output isolation, from V_{12A} plate.
- LDR 7 = Lead 2 output isolation, from V_{12A} plate.
- LDR 8 = Ryth 2 middle of circuit isolation.
- LDR 9 = Lead 2 input to Lead 2 circuit.
- LDR 10 = Ryth 1 middle of circuit isolation.
- LDR 11 = Lead 1 input to Lead 1 circuit.
- LDR 12 = Lead 2 output from Lead 2 circuit.
- LDR 13 = Lead 1 output from Lead 1 circuit.
- LDR 14 = Ryth. 1 output isolation from V_{12B} plate.
- LDR 15 = Lead 1 output isolation from V_{12B} plate.
- LDR 21 = Lead 2 master volume ON/OFF.
- LDR 22 = Lead 1 master volume ON/OFF.
- LDR 23 = EQ. - 2 ON/OFF.
- LDR 24 = EQ. - 1 ON/OFF.

all external switch Jacks enable mode/function when tip of Jack is connected Ground!

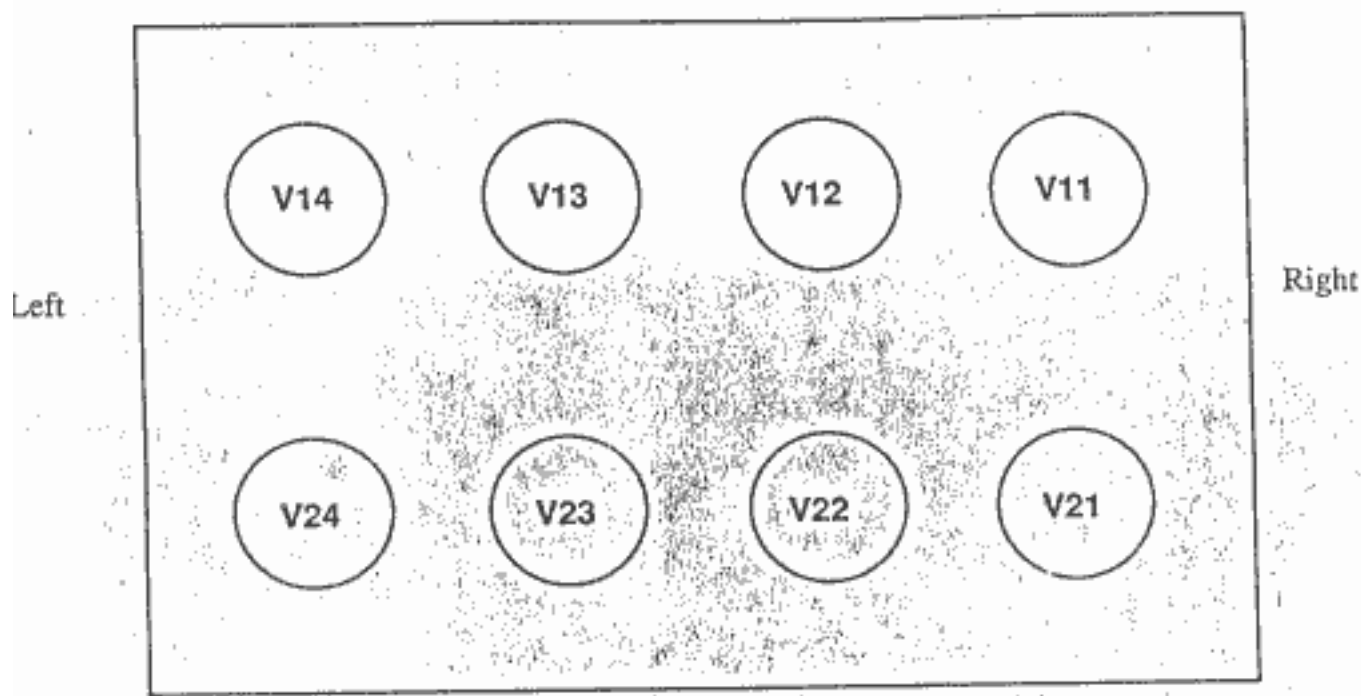


QUAD PREAMP

TUBE LAYOUT

MESA/BOOGIE®
The Spirit of Art in Technology

(Front of Quad)



(Rear of Quad)

V11 = Input tube for Ch. 2

V12 = Ch. 1 and Ch. 2

V13 = Lead for Ch. 2

V14 = EQ & Reverb Mixer

V21 = Input tube for Ch.1

V22 = Effects Return & Output

V23 = Lead for Ch. 1

V24 = Reverb Driver & Return

scanned by Maarten van Helden