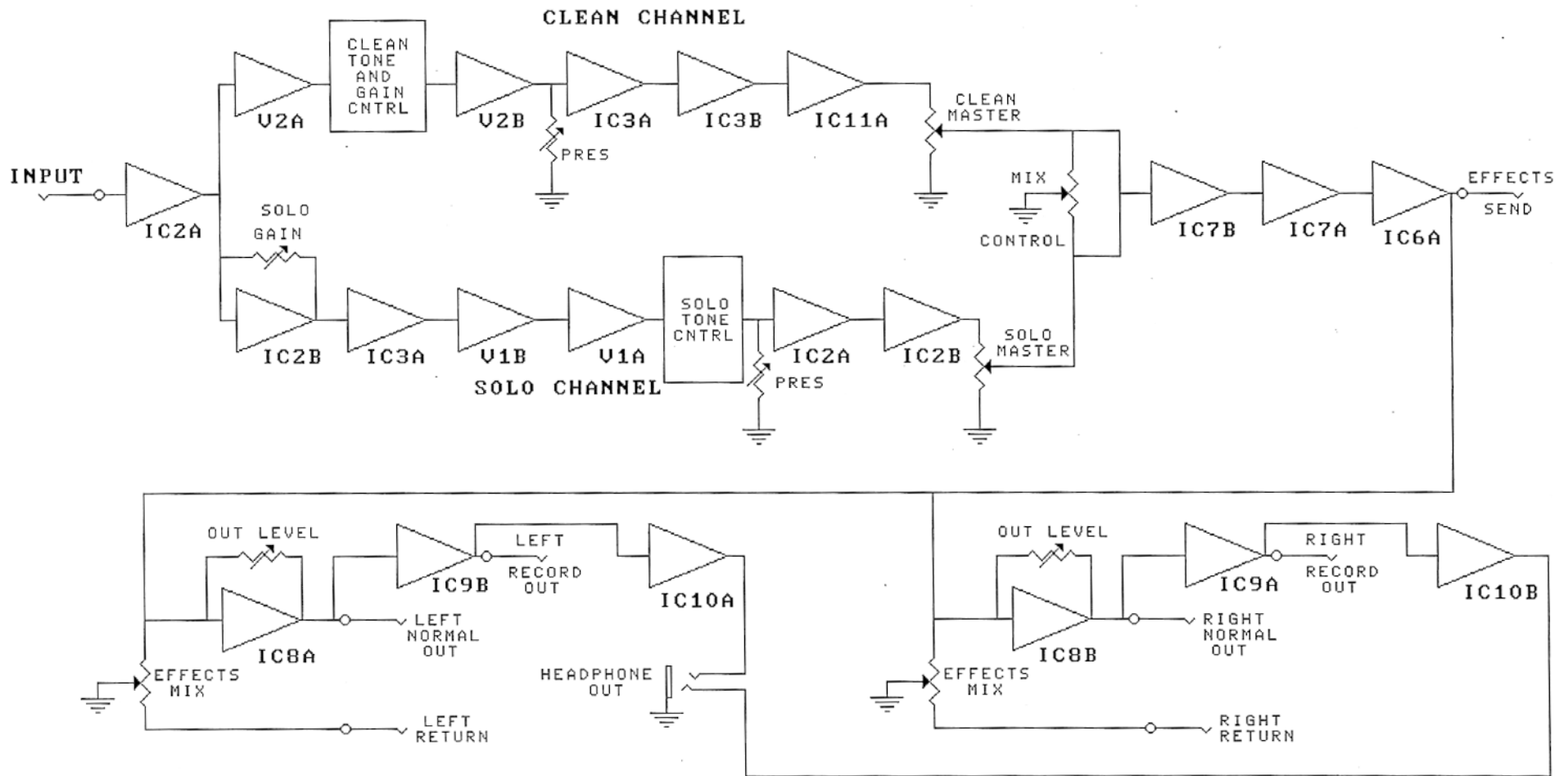




# MESA/BOOGIE U-TWIN RACKMOUNT

## BLOCK DIAGRAM

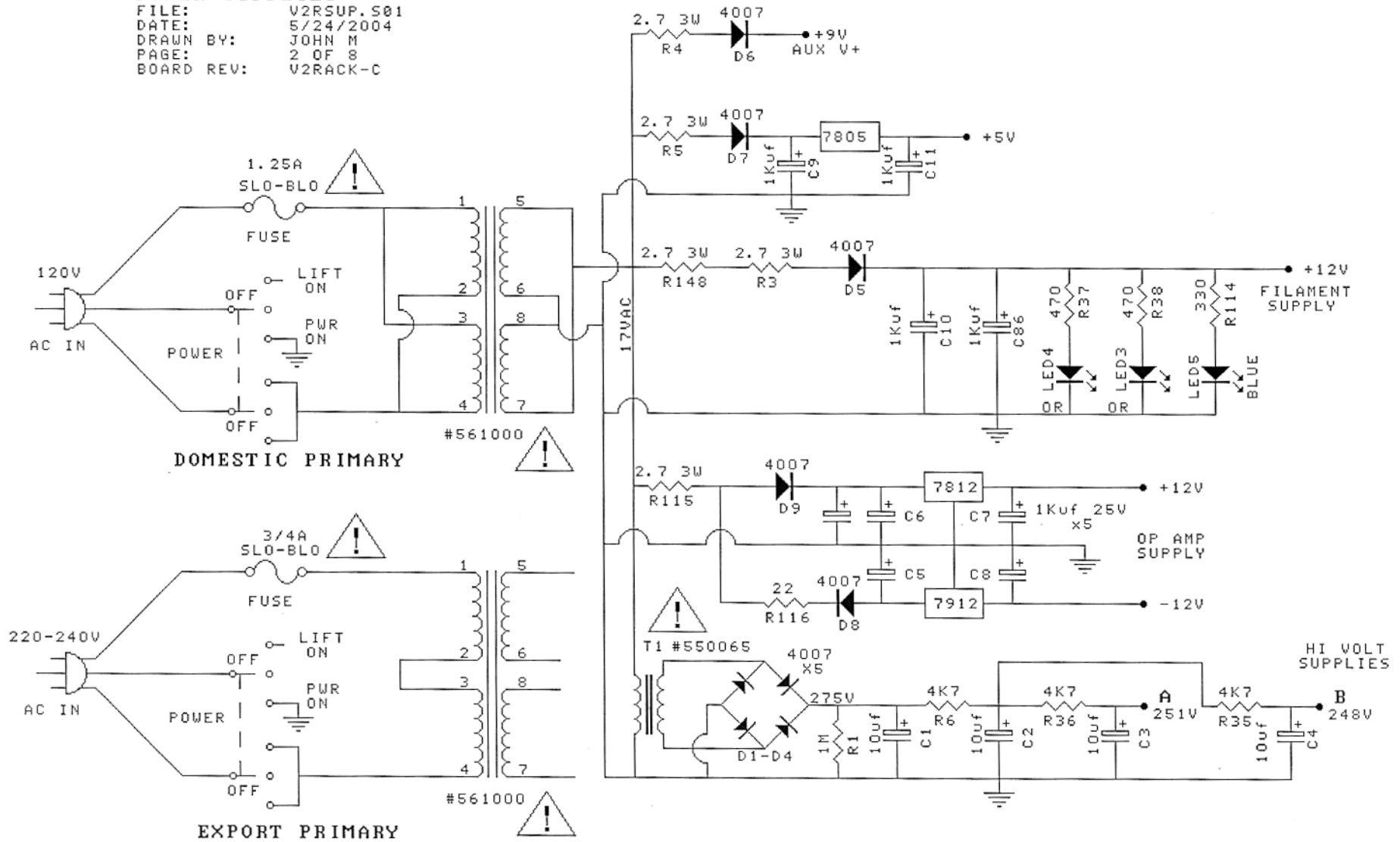
FILE: V2RBLK.S01  
 DATE: 5/24/2004  
 DRAWN BY: JOHN M  
 PAGE: 1 OF 8  
 BOARD REV: V2RACK-C



# MESA/BOOGIE U-TWIN RACKMOUNT

## POWER SUPPLIES

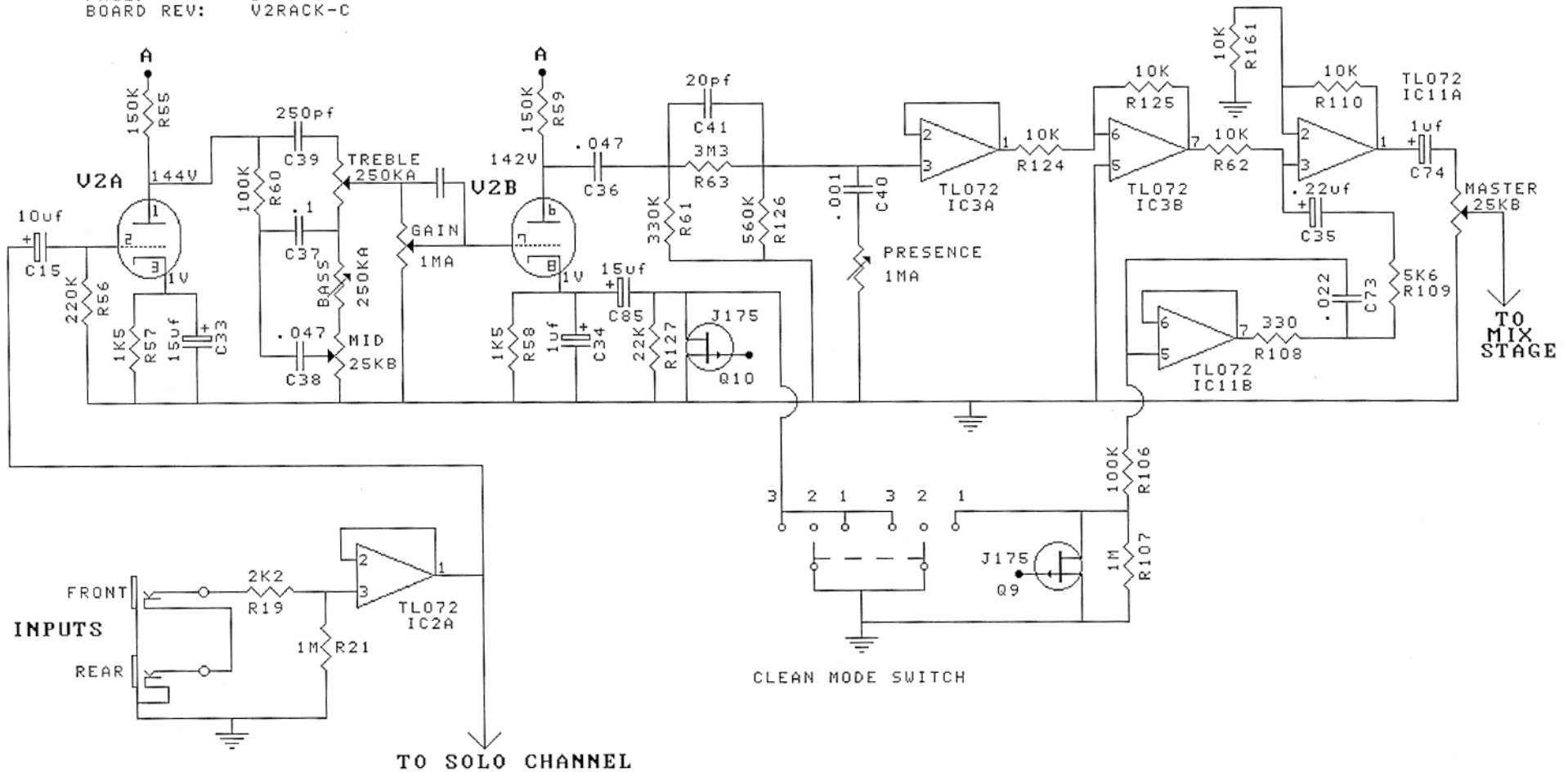
FILE: V2RSUP.S01  
 DATE: 5/24/2004  
 DRAWN BY: JOHN M  
 PAGE: 2 OF 8  
 BOARD REV: V2RACK-C



# MESA/BOOGIE U-TWIN RACKMOUNT

PREAMP CLEAN CHAN

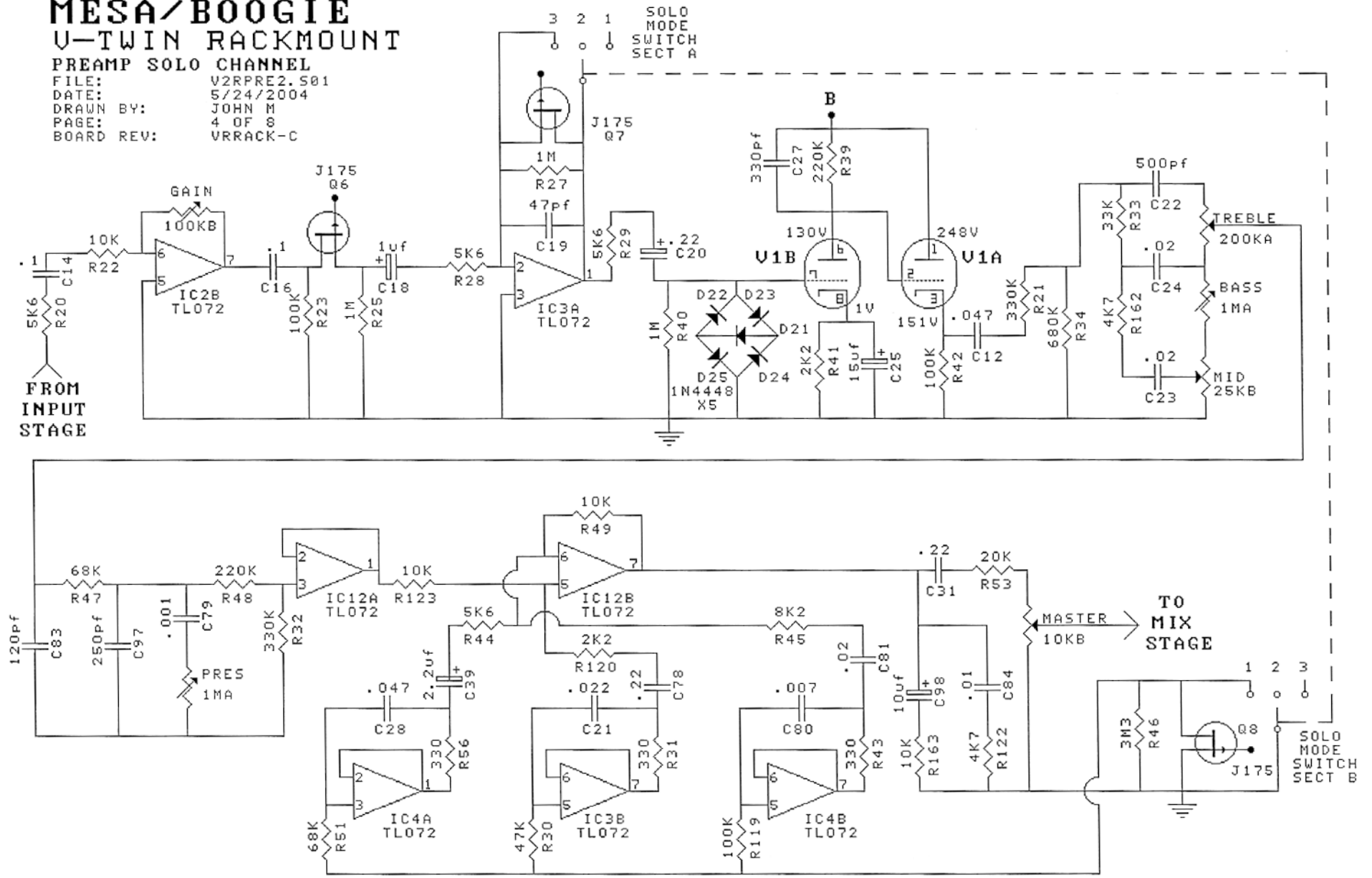
FILE: V2RPRE1.S01  
DATE: 5/24/2004  
DRAWN BY: JOHN M  
PAGE: 3 OF 8  
BOARD REV: V2RACK-C



# MESA/BOOGIE U-TWIN RACKMOUNT

## PREAMP SOLO CHANNEL

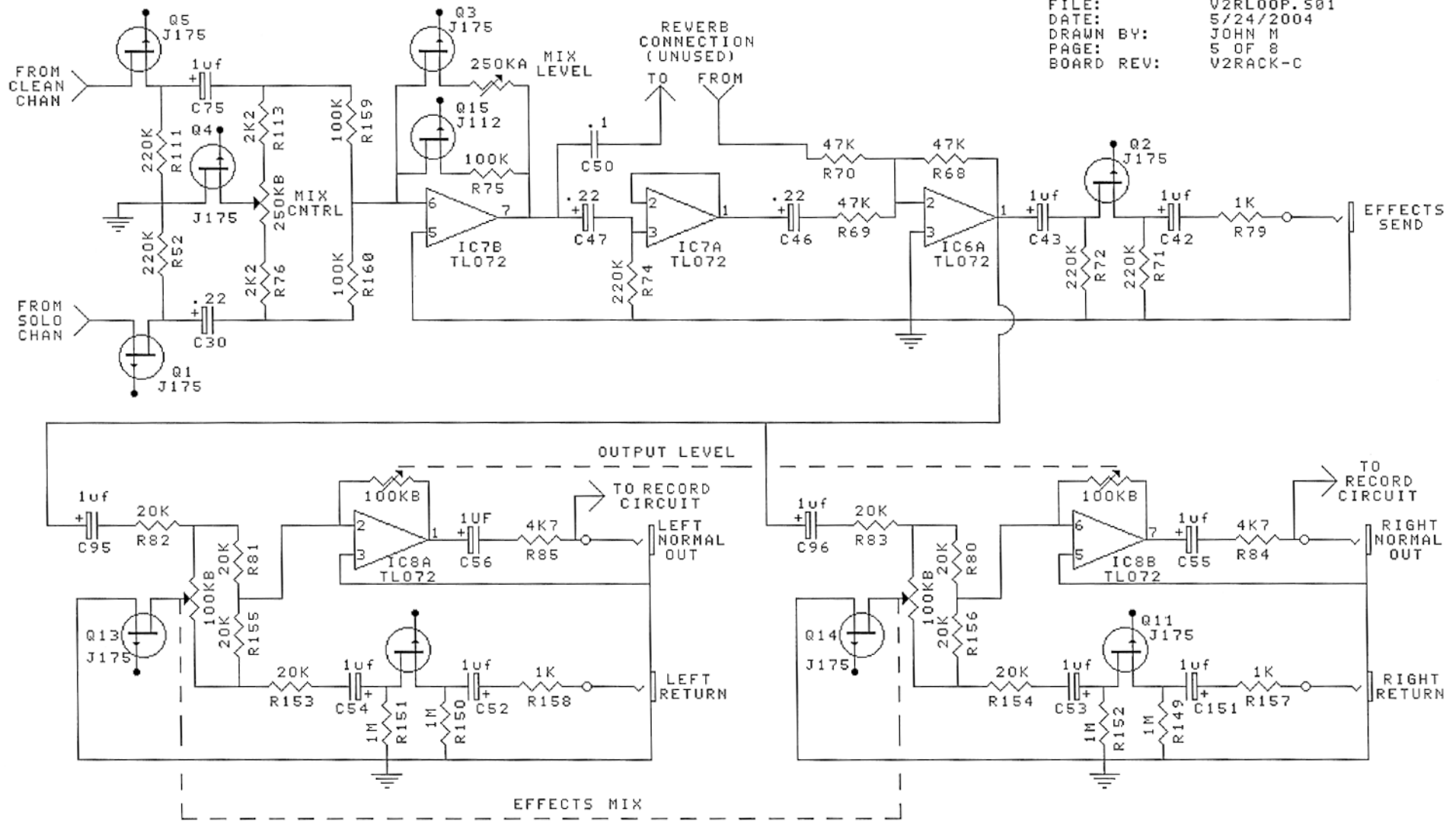
FILE: V2RPRE2.S01  
 DATE: 5/24/2004  
 DRAWN BY: JOHN M  
 PAGE: 4 OF 8  
 BOARD REV: VRRACK-C



# MESA/BOOGIE U-TWIN RACKMOUNT

## MIX AND LOOP CIRCUIT

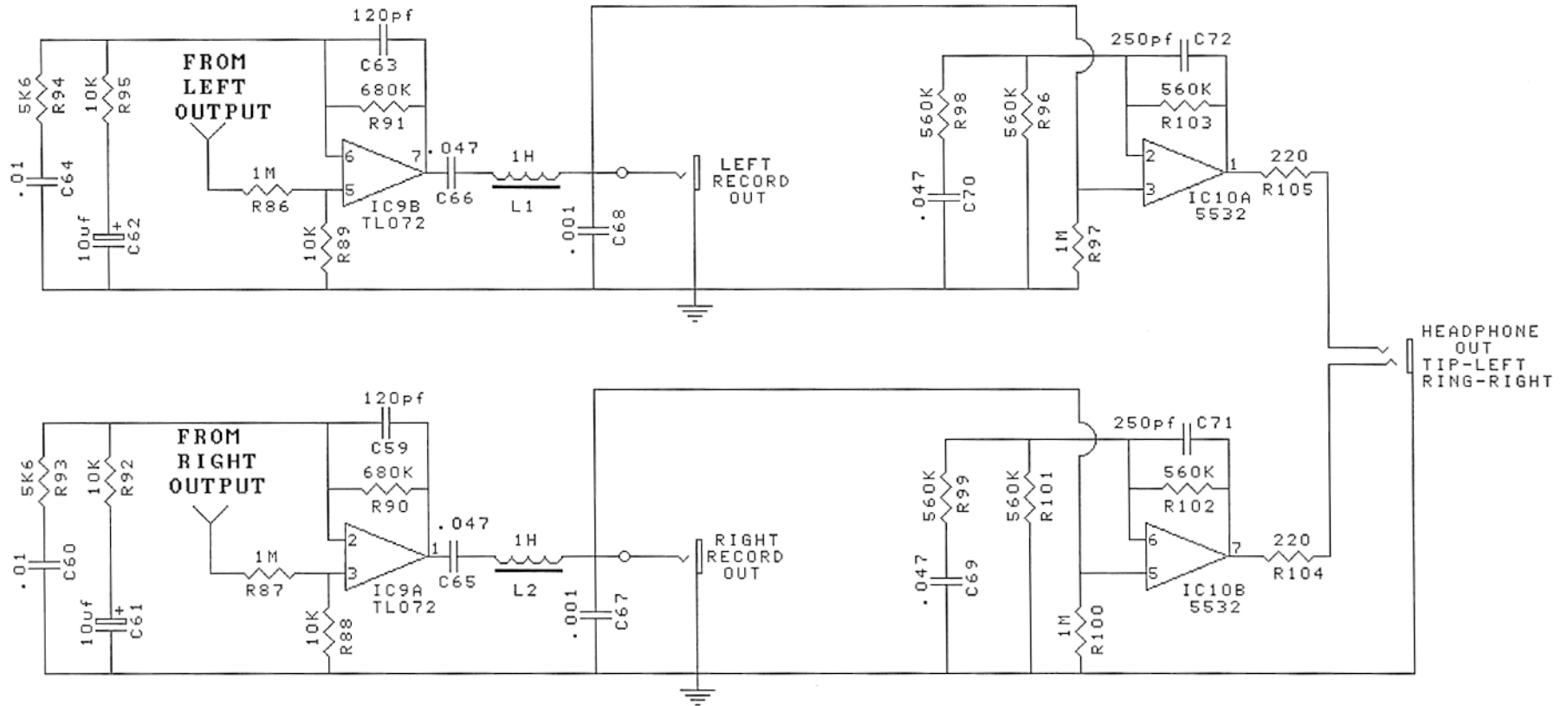
FILE: V2RLOOP.S01  
 DATE: 5/24/2004  
 DRAWN BY: JOHN M  
 PAGE: 5 OF 8  
 BOARD REV: V2RACK-C



# MESA/BOOGIE U-TWIN RACKMOUNT

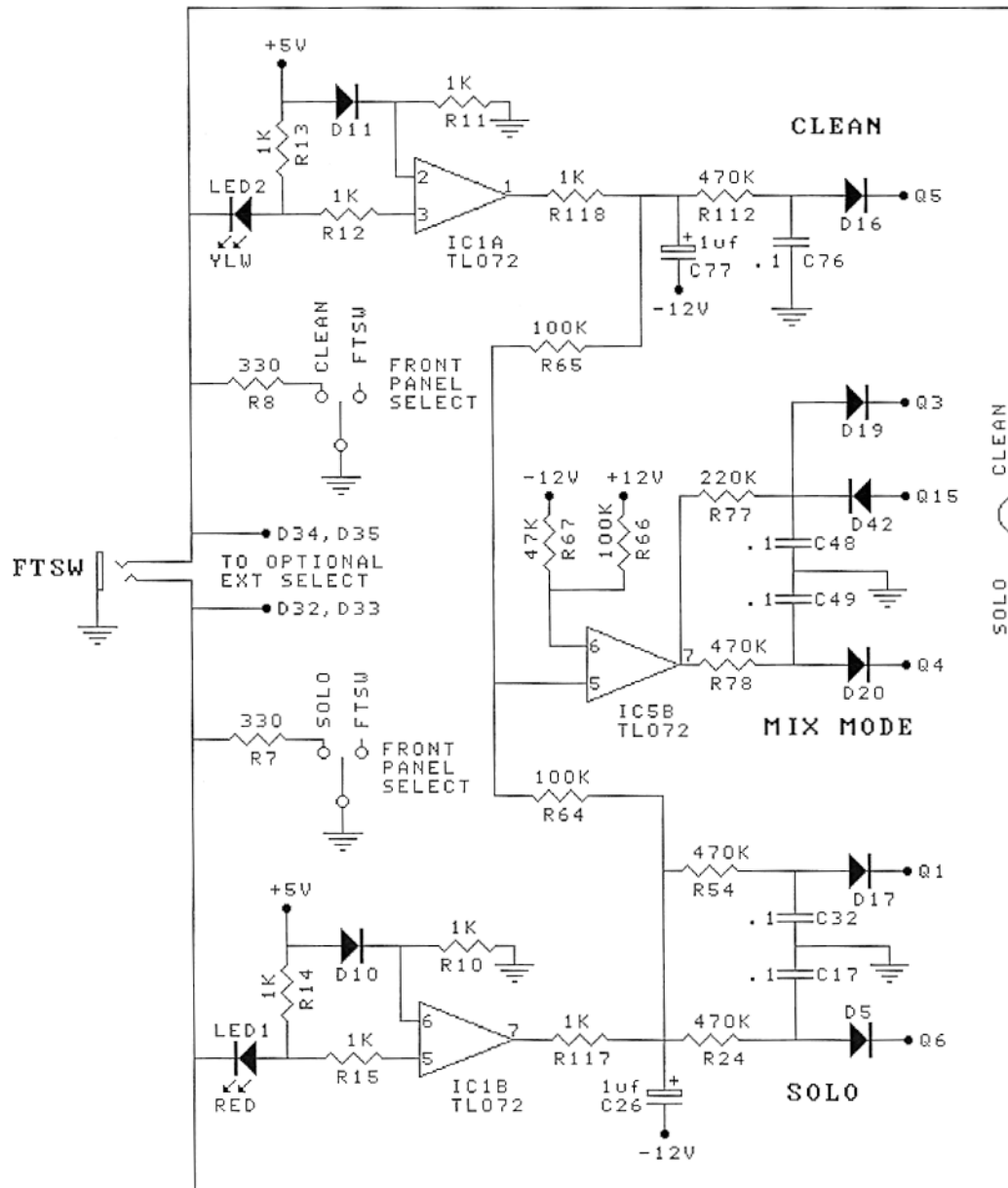
## RECORD OUTPUTS

FILE: V2RREC.501  
DATE: 5/24/2004  
DRAWN BY: JOHN M  
PAGE: 6 OF 8  
BOARD REV: V2RACK-C

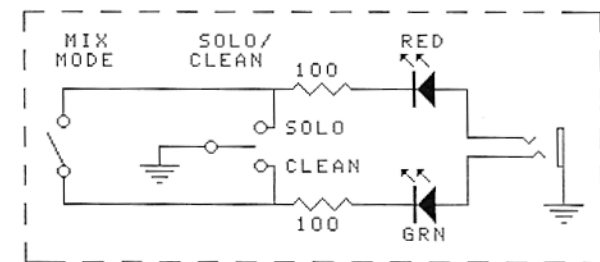
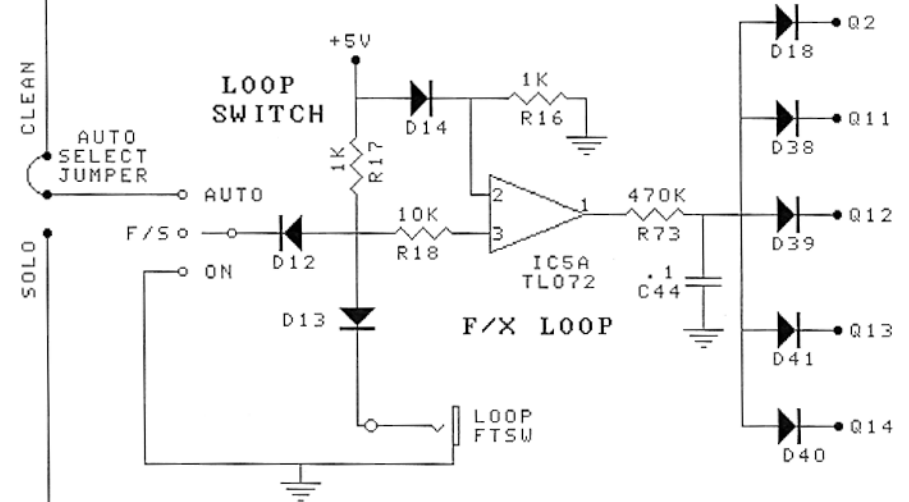


# MESA/BOOGIE U-TWIN RACKMOUNT SWITCH MATRIX

FILE: V2RSWI.S01  
DATE: 5/24/2004  
DRAWN BY: JOHN M  
PAGE: 7 OF 8  
BOARD REV: V2RACK-C



ALL DIODES 1N4448



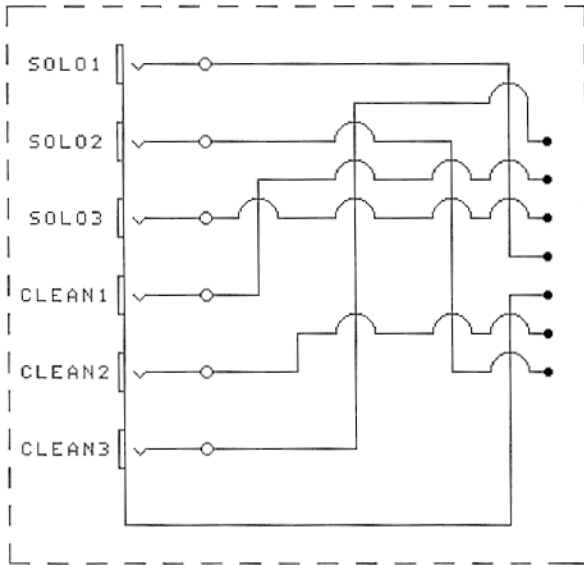
FOOTSWITCH



# MESA/BOOGIE U-TWIN RACKMOUNT

## EXT SELECT CIRCUIT

FILE: V2REXT.S01  
 DATE: 5/24/2004  
 DRAWN BY: JOHN M  
 PAGE: 8 OF 8  
 BOARD REV: V2RACK-C



OPTIONAL  
EXTERNAL  
SELECT

ALL DIODES 1N4448

