

**Version: 1PR183B1**

**Date: Jan.19.2011**

# **SERVICE MANUAL**

## **ACT-747**

**Quad-Channel True Diversity Receiver**

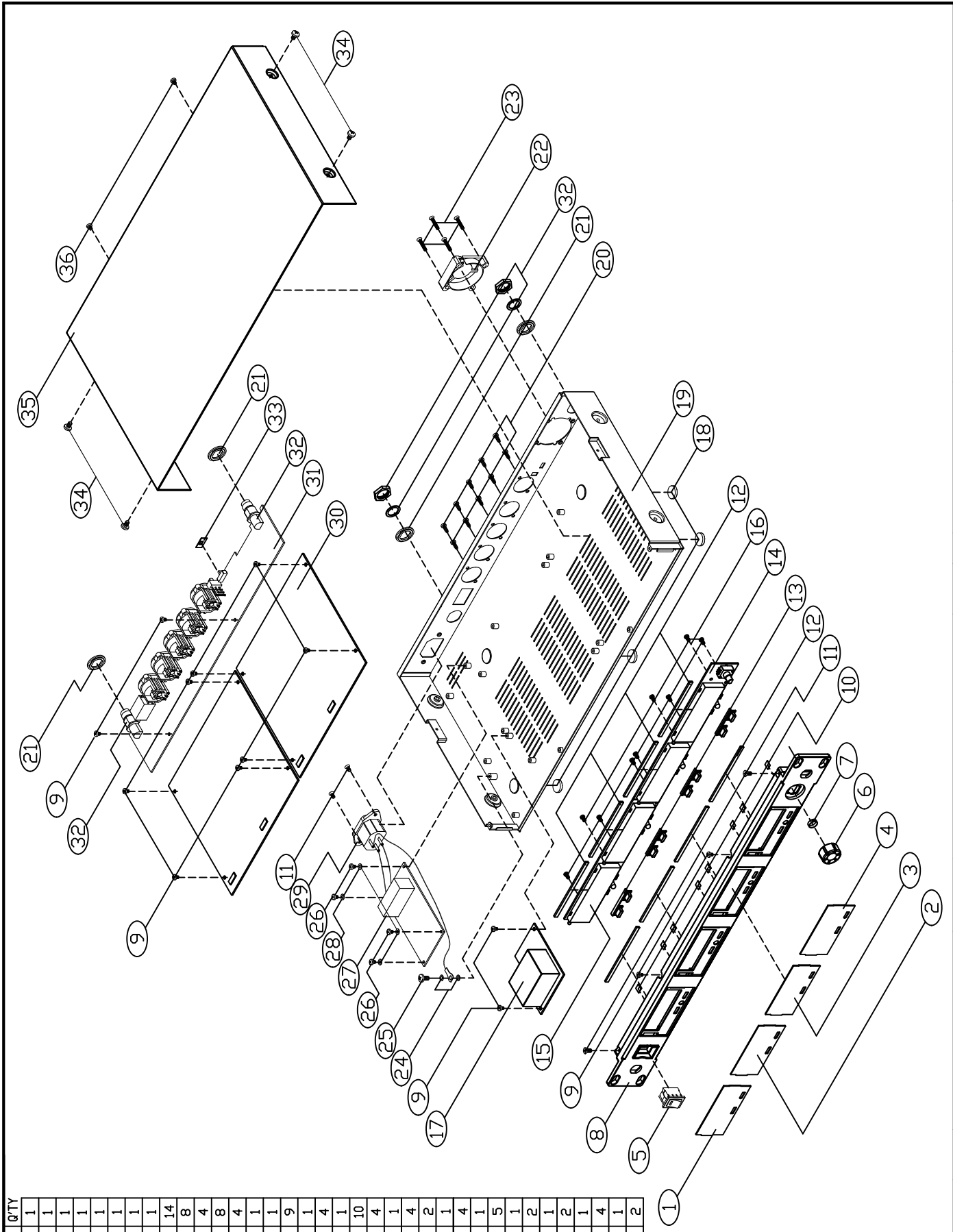


**MIPRO**

The logo features the word "MIPRO" in a bold, sans-serif font. The letter "i" is stylized with a dot above it. The logo is centered between two sets of three horizontal lines, one on the left and one on the right.

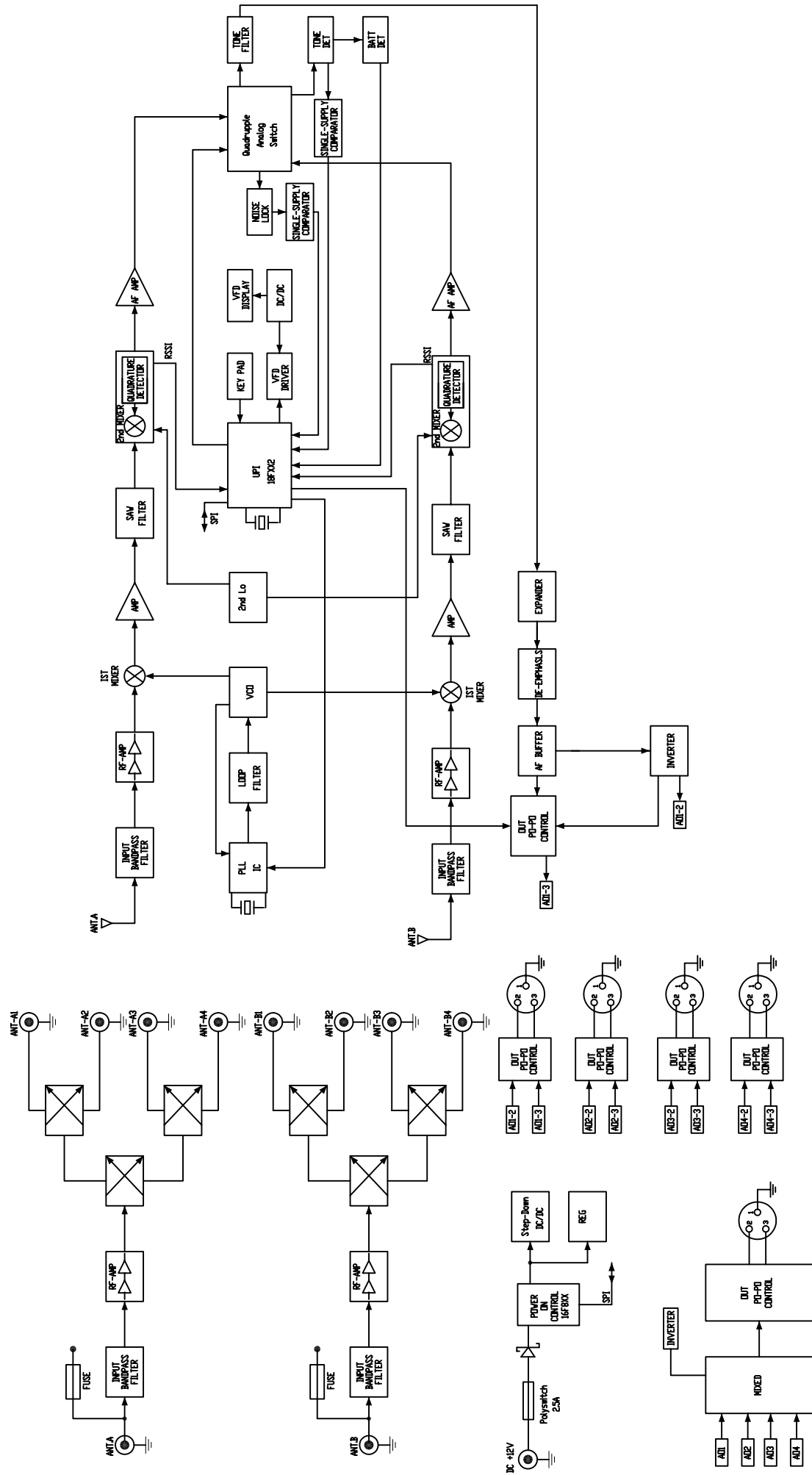
## SPECIFICATIONS FOR ACT-747a RECEIVER

ITEM	SPECIFICATIONS
1. FREQUENCY RANGE	482.0~698.0MHz(US) 、 482.0~790.0MHz(CE)
2. SWITCHING BANDWIDTH	72 MHz
3. FREQUENCY	Pre-programmed 352 switch-able frequency
4. RECEIVING MODE	PLL true diversity receiving
5. RATED	±40KHz
6. DE-EMPHASIS	25μs
7. FREQUENCY RESPONSE	50Hz TO 15KHz ±3dB
8. SENSITIVITY	+6dBμV FOR 80dB S/N Type
9. IMAGE REJECTION	>74dB
10. SPURIOUS REJECTION	>70dB
11. INTERMODULATION REJECTION	>78dB
12. ULTIMATE S/N	109dBA Type
13. DISTORTION(15KHz DEV AT 1KHz)	Less Than 0.15% Type
14. DISPLAY	VFD Control Panel
15. WEIGHTS	APPROX. 3.4Kg
16. AUDIO OUTPUT	4 × MALE XLR-3 BALANCED 1 × MALE XLR-3 BALANCED SOCKETS (MIX OUTPUT.)
17. NETWORKING INTERFACE	USB or RS-232 interface, Proprietary MIPRO ACT-BUS
18. POWER SUPPLY	100~240V AC / 12V~15V DC
19. CURRENT DRAIN	APPROX. 1.7A.
20. DIMENSION (m/m)	482(W)×260(D)×44(H).
21. ENVIRONMENTAL	FULL SPECS -10° ~ 60°C

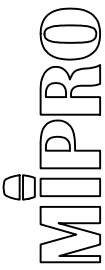


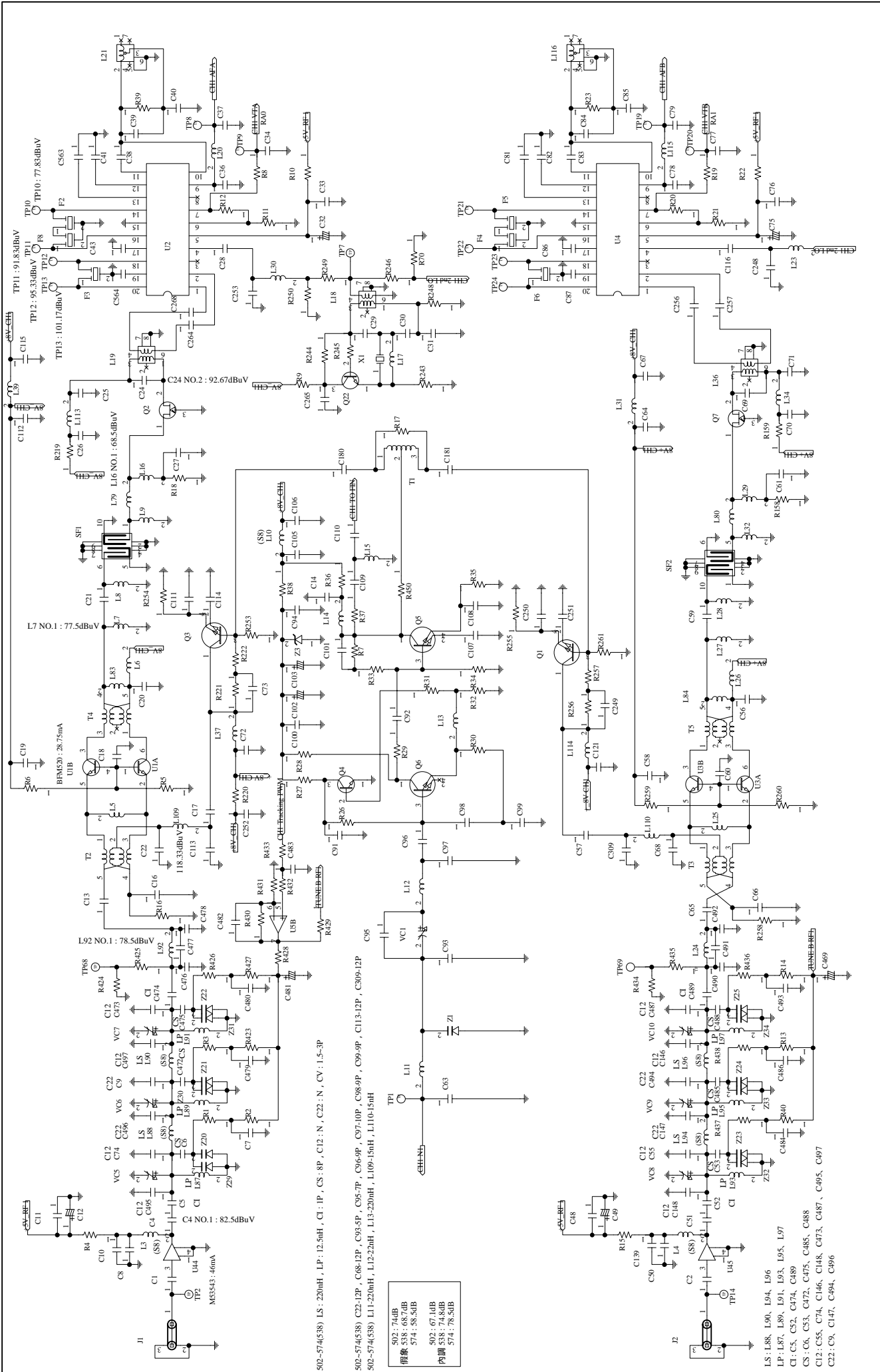
NO.	SERIAL NO.	DESCRIPTION	Q'TY
1	1BDA0526	PLATE	1
2	1BDA0527	PLATE	1
3	1BDA0528	PLATE	1
4	1BDA0529	PLATE	1
5	1SVN0002	POWER SWITCH	1
6	1BSA0039	KNOB	1
7	1MPL0053	KNOB FRAME	1
8	1BCA0130	FRONT PANEL	1
9	1MSA0028	SCREW	14
10	1BDD0019	PLATE	8
11	1MSA0058	SCREW	4
12	12ED088	SPONGE	8
13	1BSA0037	KNOB	4
14	13PRI86XX	LCD PCB	1
15	13PRI87XX	LCD PCB	1
16	1MSA0137	SCREW	9
17	13PRI85XX	POWER PCB	1
18	1BCB0008	RUBBER MAT	4
19	1BAA0080	CHASSIS	1
20	1MSA0017	SCREW	10
21	1MSC0008	SPACER	4
22	1MH0004	FAN	1
23	1MSA0065	SCREW	4
24	1MSC0010	SPACER	2
25	1MSA0077	SCREW	1
26	1MSA0131	SCREW	4
27	1SPS0024	POWER SUPPLY	1
28	1MSC0023	SPACER	5
29	1MPD0005	AC POWER JACK	1
30	13PRI83XX	MAIN PCB	2
31	13PRI84XX	Splitter PCB	1
32	1IMP0001	TNC CONNECTOR	2
33	1BDD0015	PLATE	1
34	1MSA0003	SCREW	4
35	1BBA0014	METAL COVER	1
36	1MSA0001	SCREW	2

圖號 NUMBER	ACT747AU01A	機型 MODEL	ACT-747a	品名 DESCRIPTION	爆炸圖(ASSEMBLY)	板本 VISION	核准 APPROVED	核推 MICHAEL
日期 DATE	11/25/2010	比例 SCALE	1=4 A3	材料 MATERIAL				
設計 DESIGNED	ANDY	繪圖 DRAWN	MELODY					

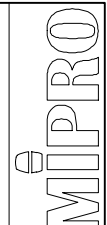


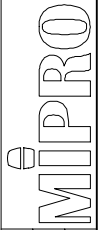
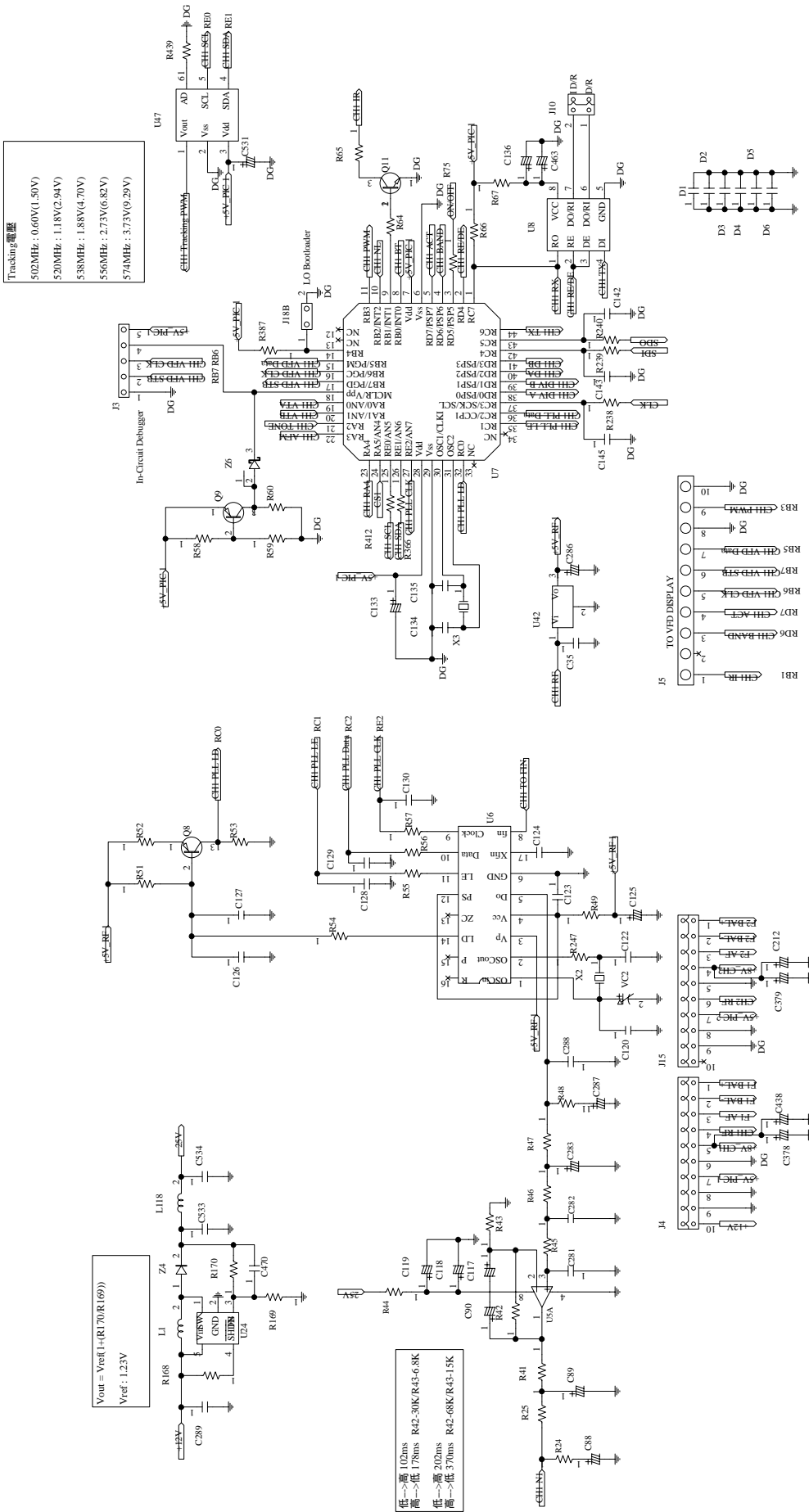
圖號 NUMBER	ACT727002A	機型 MODEL	ACT-727a/747a	品名 DESCRIPTION	方塊圖(BLOCK DIAGRAM)	版本 VISION	△ △ △
日期 DATE	09/08/2008	比例 SCALE	1=1 A4	材質 MATERIAL			
設計 DESIGNED	ANDY	繪圖 DRAWN	Melody	核准 APPROVED			
				Michael			



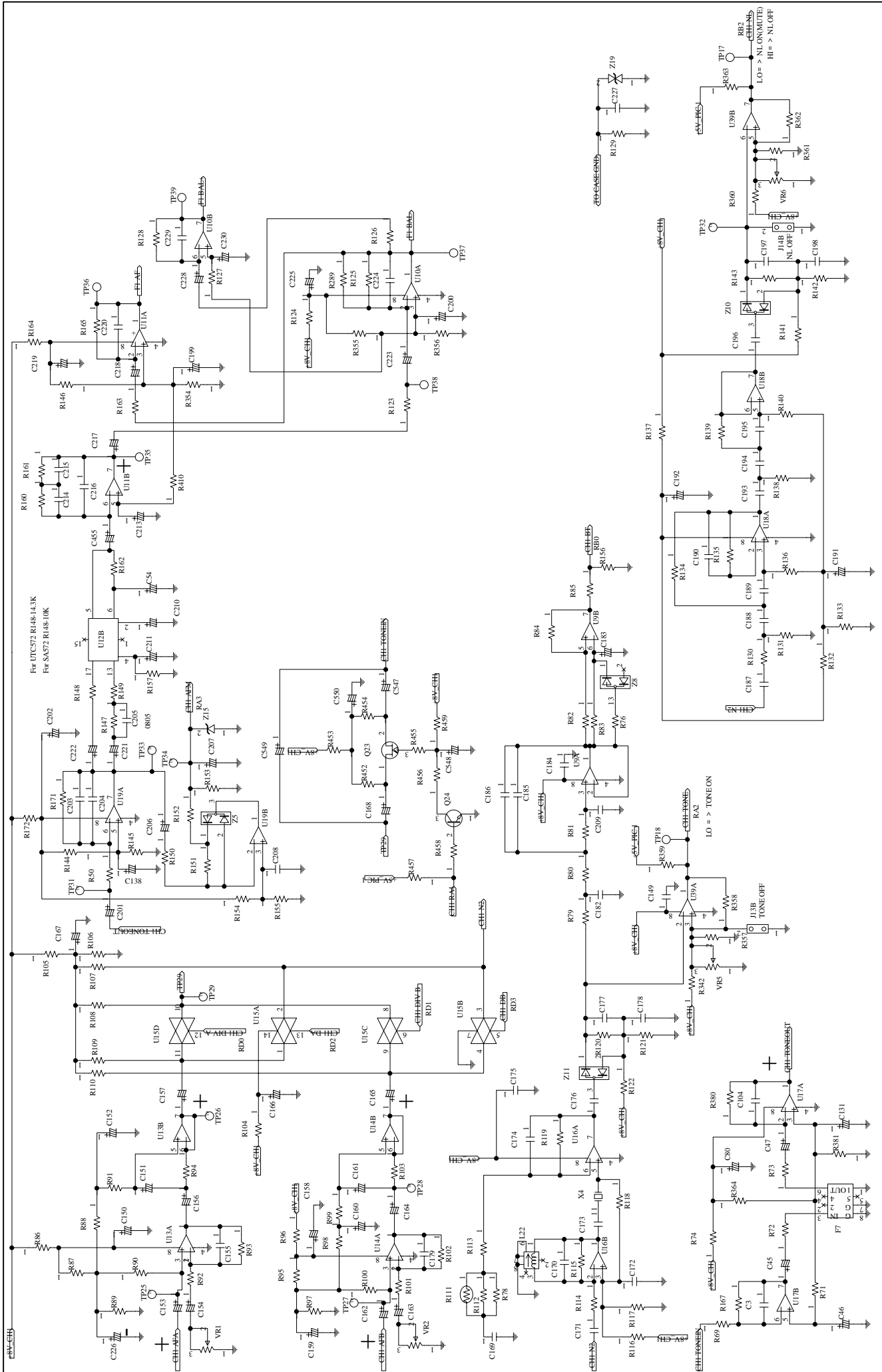


圖號	1CR183BA-C1	機型	ACT-747a/727a(R183B1)	品名	CIRCUIT (RF, MIXER, IF)	(G)
NUMBER		MODEL		DESCRIPTION		(F)
日期	12/29/2009	IC 外殼	1 / 6 / A1	材料	VISION	(E)
設計	Andy	繪圖	Andy	核准	Michael	(D)
DESIGNED	Andy	DRAWN	Andy	APPROVED		(C)
					版本	(B)

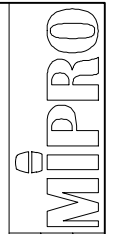


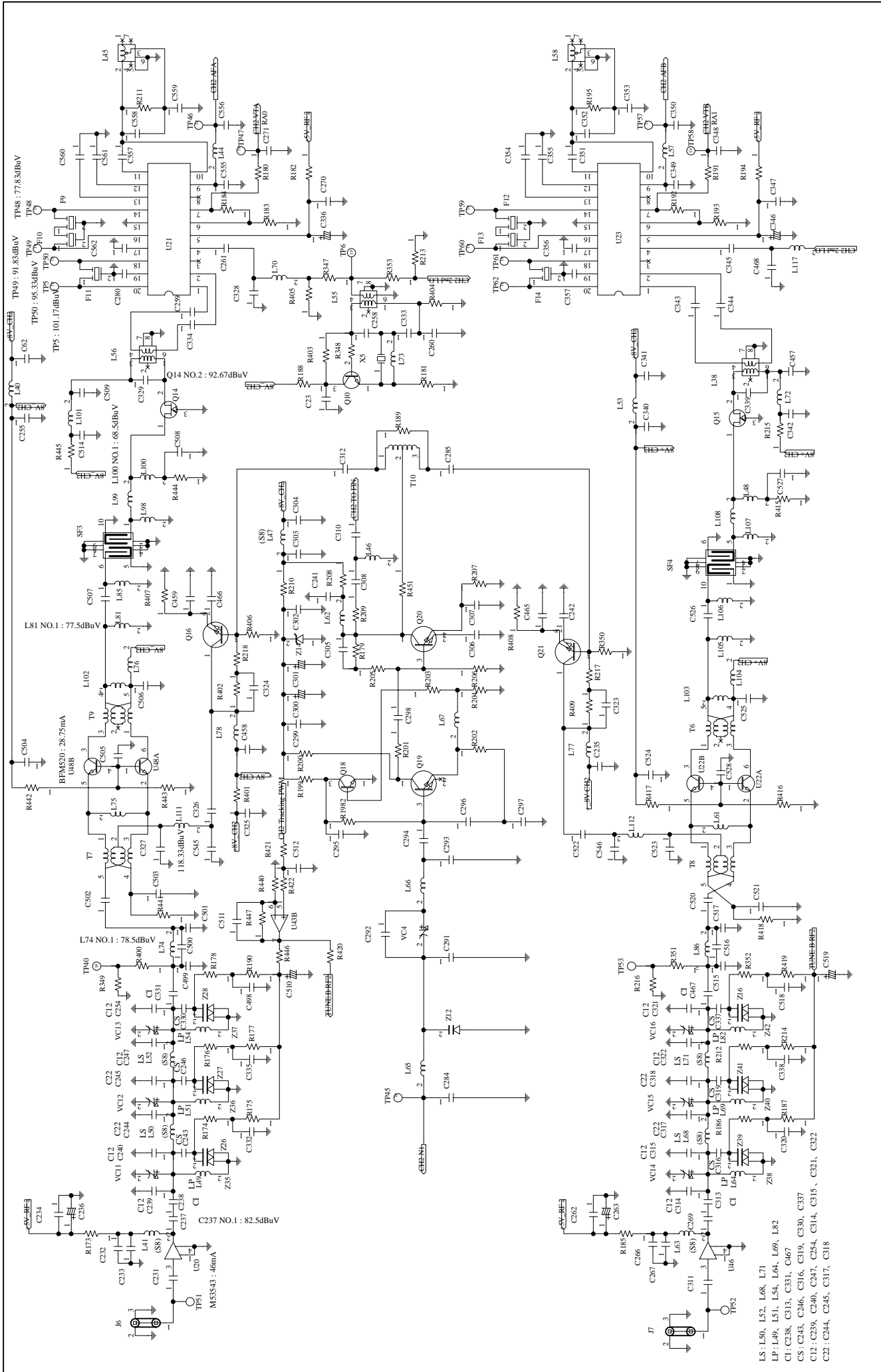


圖號 NUMBER	1CR183BA-C2	機型 MODEL	ACT-747a/727a(R183B1)	品名 DESCRIPTION	CIRCUIT (F1 MCU, PLL)	版本 VISION	(G)
日期 DATE	12/29/2009	IC外 SCALE	2 / 6 / A1	物料 MATERIAL			(E)
設計 DESIGNED	Andy	繪圖 DRAWN	Andy	核准 APPROVED	Michael		(C)



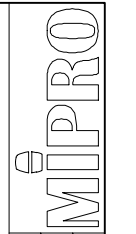
圖號 NUMBER	1CR183BA-C3	機型 MODEL	ACT-747a/727a(R183B1)	品名 DESCRIPTION	CIRCUIT(F1 AUDIO, TONE, NL)	(G)
日期 DATE	12/29/2009	圖例 SCALE	3 / 6 / A1	材料 MATERIAL	版本 VISION	(F)
設計 DESIGNED	Andy	繪圖 DRAWN	Andy	核准 APPROVED	(D)	(E)
					(B)	(C)



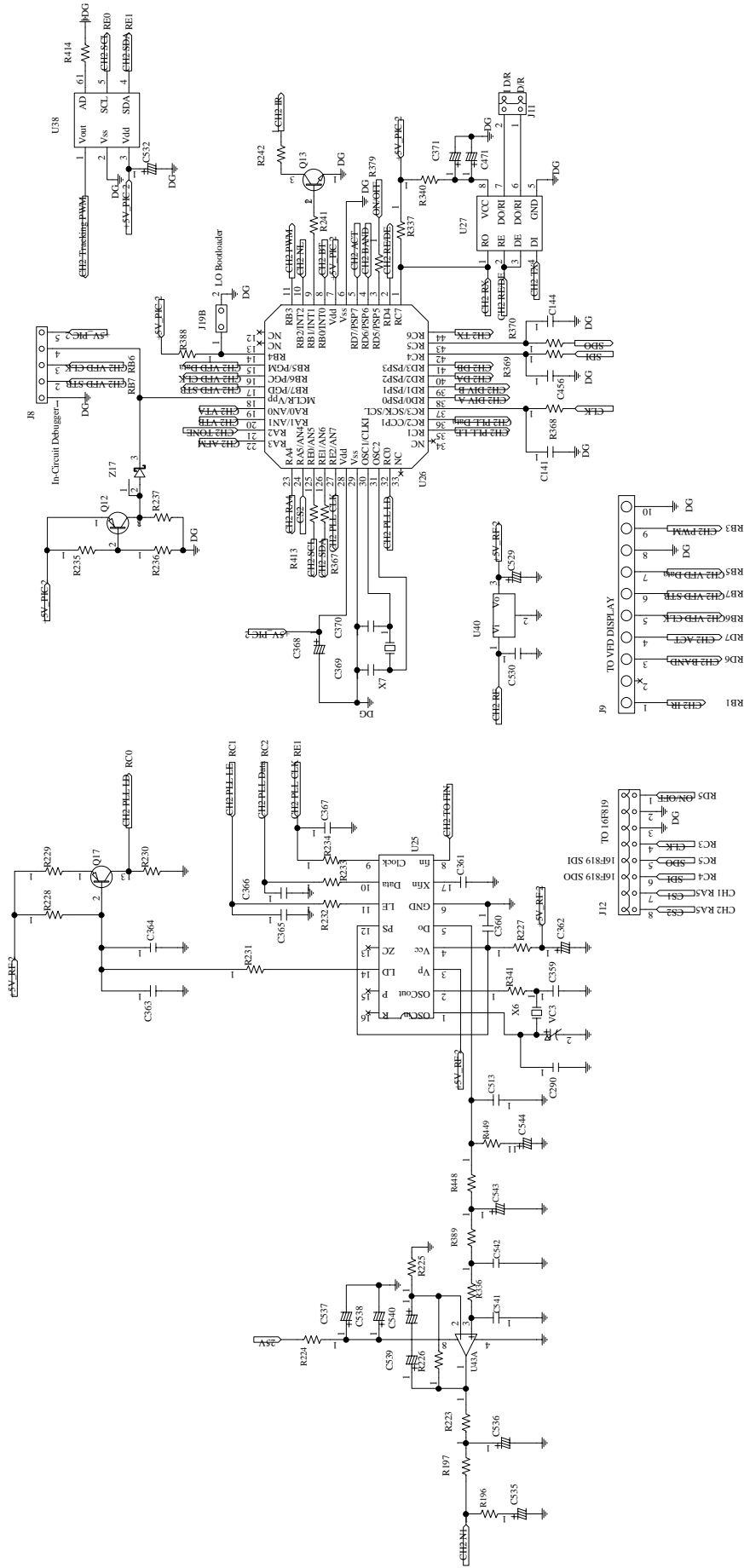


圖號 NUMBER	1CR183BA-C4	機型 MODEL	ACT-747a/727a(R183B1)	品名 DESCRIPTION	CIRCUIT (RF, MIXER, IF)	版本 VISION	(G)
日期 DATE	12/29/2009	LC/外 SCALE	4 / 6 / A1	材料 MATERIAL			(E)
設計 DESIGNED	Andy	繪圖 DRAWN	Andy	核准 APPROVED	Michael		(C)

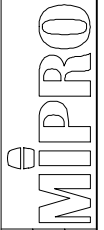
LS: L50, L52, L68, L71  
 LP: L49, L51, L54, L64, L69, L82  
 CI: C238, C313, C331, C467  
 CS: C243, C246, C316, C319, C330, C337  
 C12: C239, C240, C247, C254, C314, C315, C321, C322  
 C22: C244, C245, C317, C318

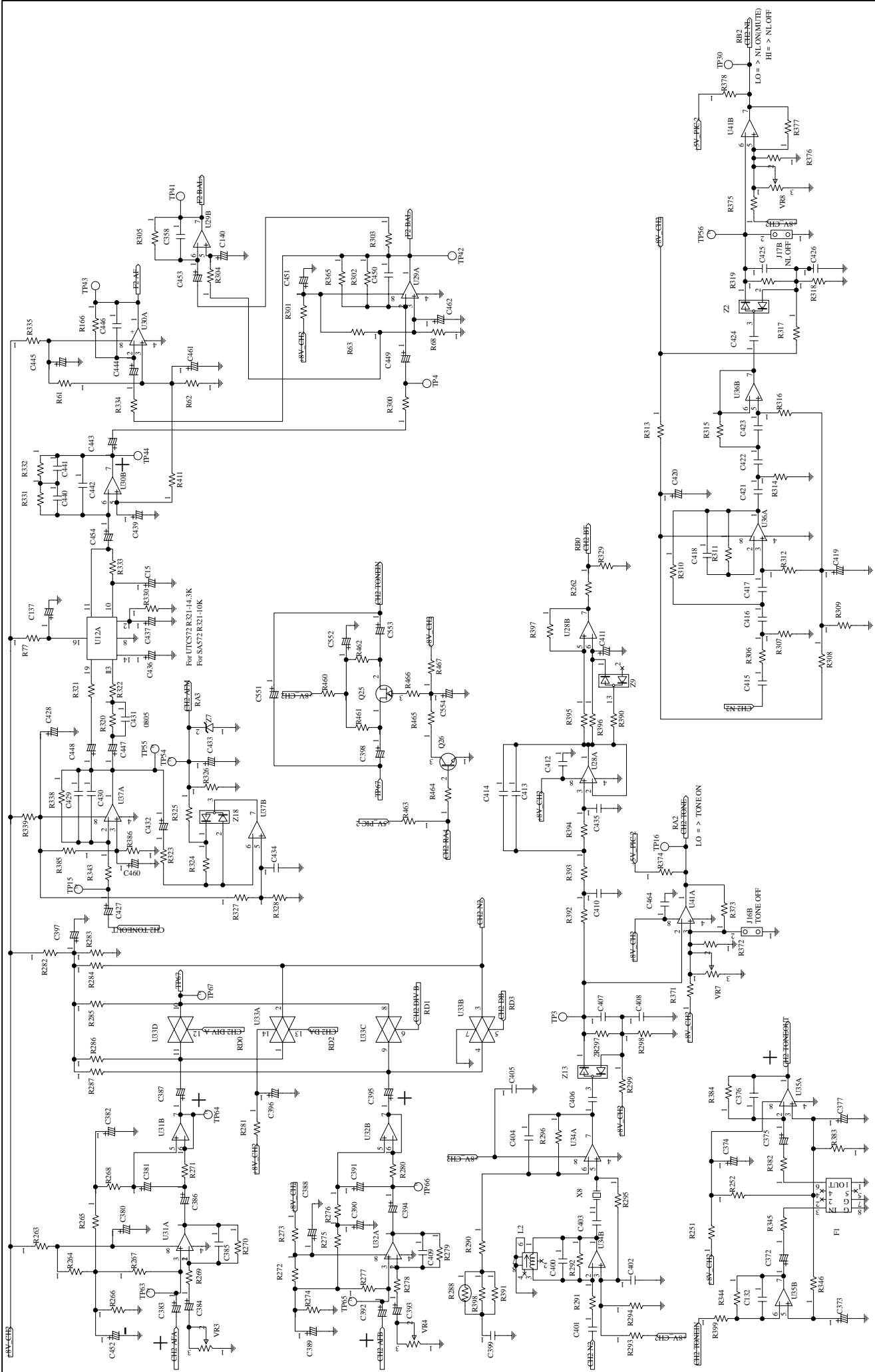




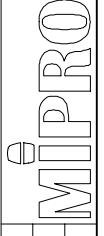


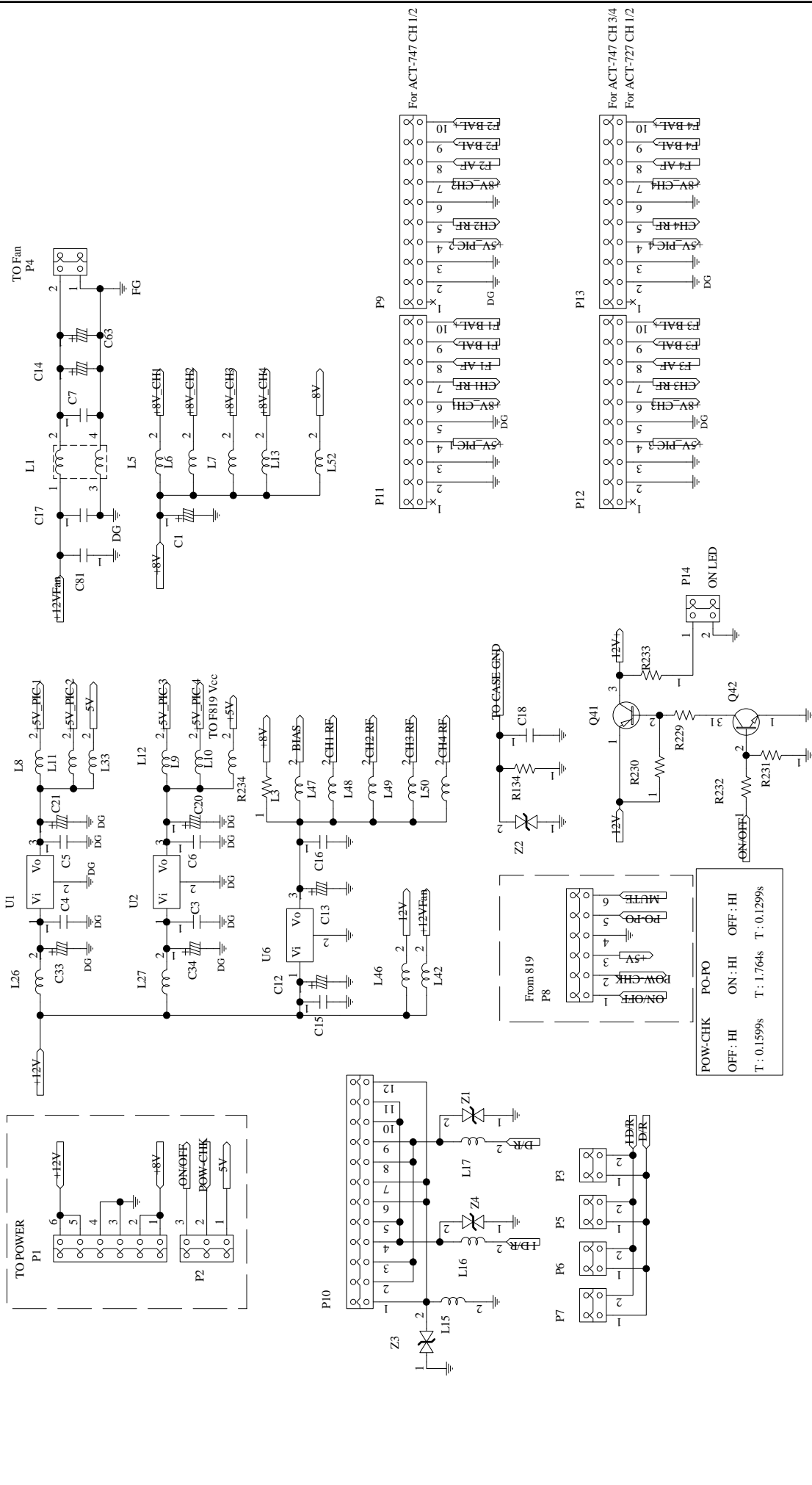
圖號 NUMBER	1CR183BA-C5	機型 MODEL	ACT-747a/T27a(R183B1)	品名 DESCRIPTION	CIRCUIT (F2 MCU, PLL)	版本 VISION	(G)
日期 DATE	12/29/2009	LC外 SCALE	5 / 6 / A1	物料 MATERIAL			(E)
設計 DESIGNED	Andy	繪圖 DRAWN	Andy	核准 APPROVED	Michael		(C)



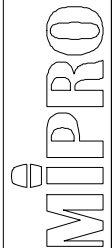


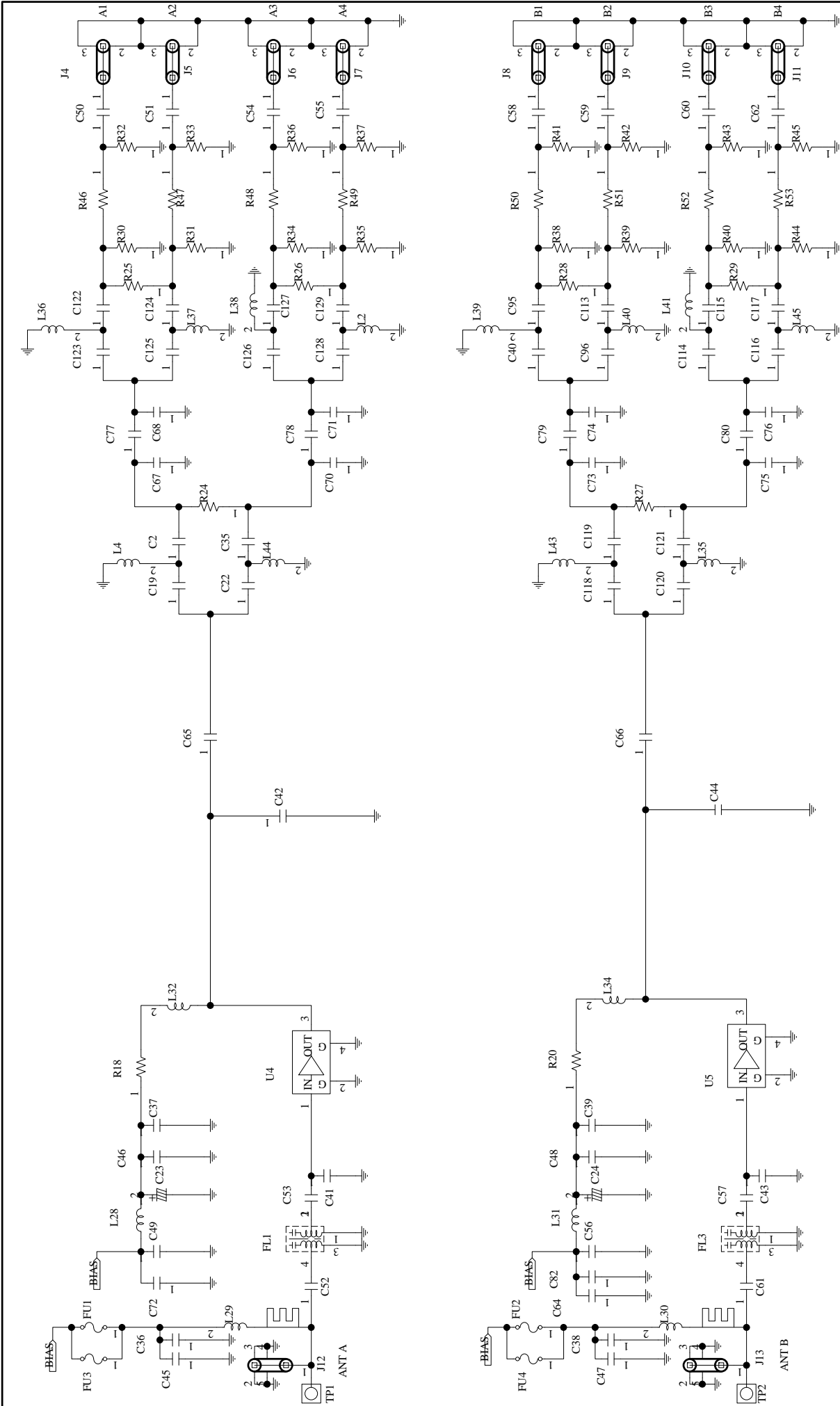
圖號 NUMBER	1CR183BA-C6	機型 MODEL	ACT-747a/727a(R183B1)	品名 DESCRIPTION	CIRCUIT(F2 AUDIO, TONE, NL)	版本 VISION	(G)
日期 DATE	12/29/2009	圖例 SCALE	6 / 6 / A1	材料 MATERIAL			(E)
設計 DESIGNED	Andy	繪圖 DRAWN	Andy	核准 APPROVED	Michael		(C)



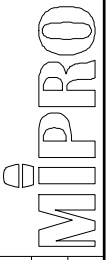


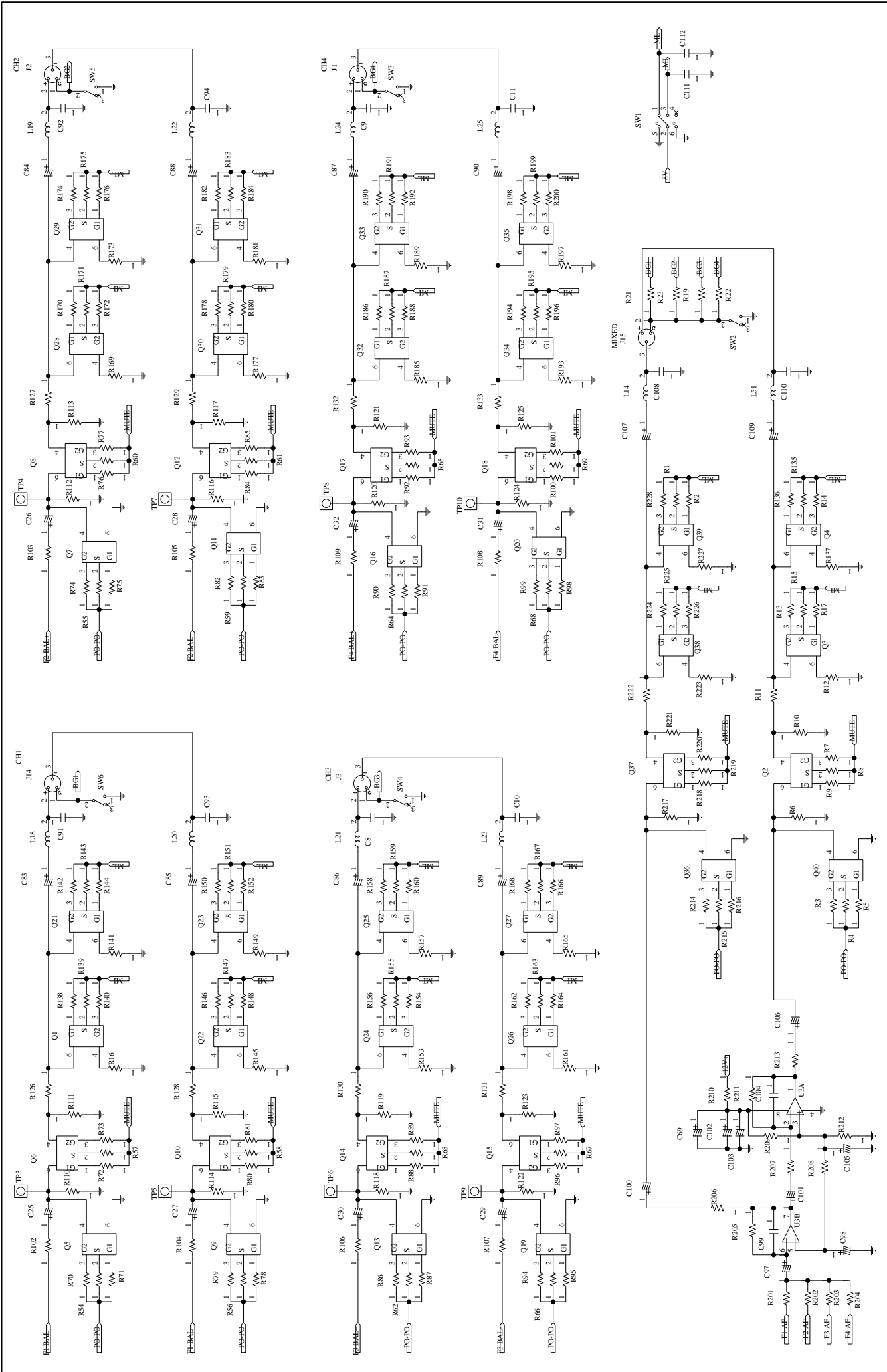
圖號 NUMBER	1CR184EA-C1	構型 MODEL	ACT-747a/727a(R184E1)	品名 DESCRIPTION	CIRCUIT (POWER)		
日期 DATE	09/06/2010	比例 SCALE	1 / 3 / A2	材質 MATERIAL	(F)	(D)	(E)
設計 DESIGNED	ANDY	繪圖 DRAWN	ANDY	核准 APPROVED	版本 VISION	(B)	(C)



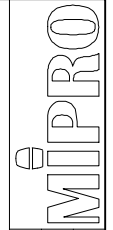


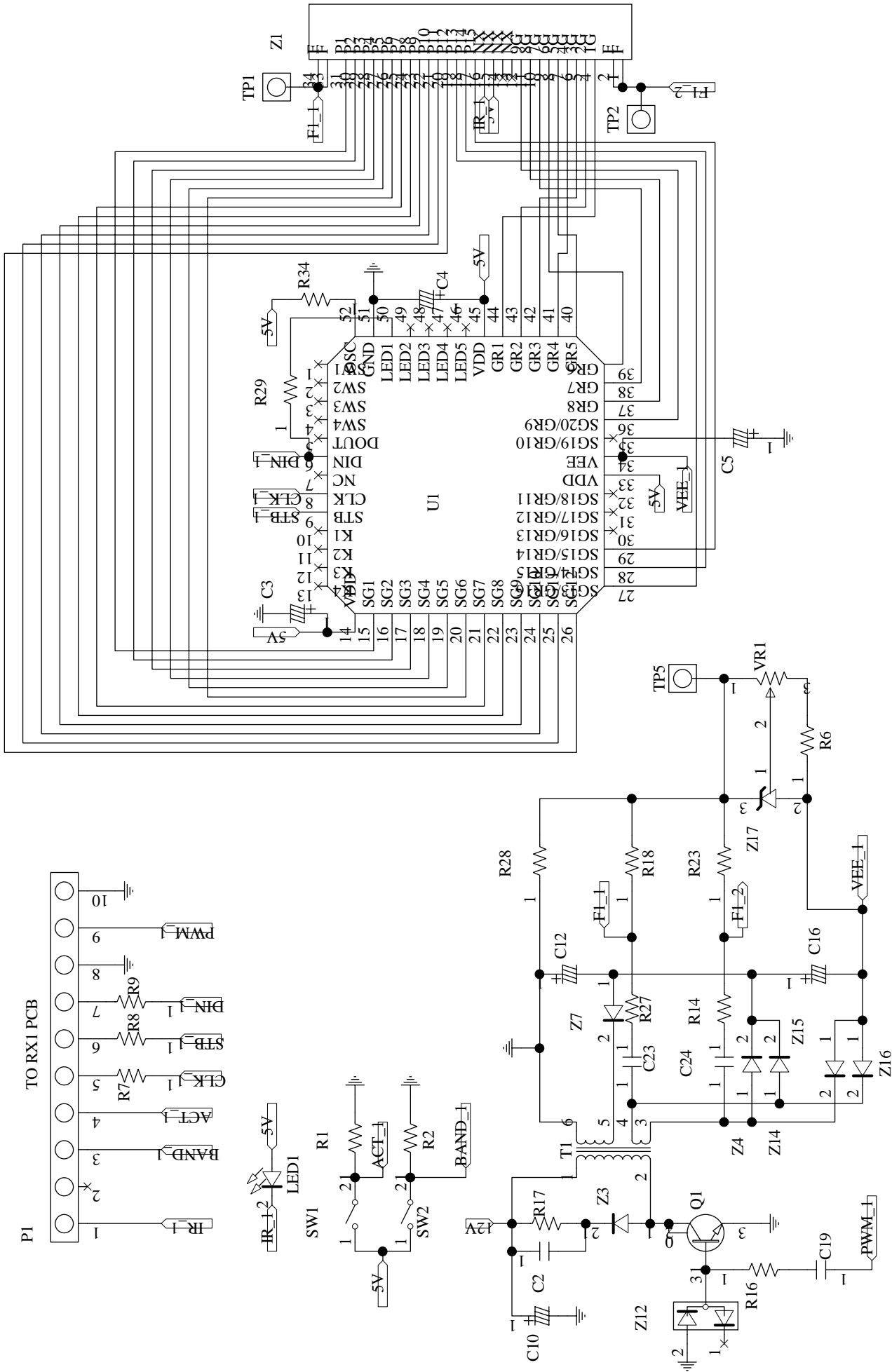
圖號 NUMBER	1CR184EA-C2	品名 DESCRIPTION	CIRCUIT (Antenna Divider)		
日期 DATE	09/08/2010	材質 MATERIAL	(G)	(E)	(C)
設計 DESIGNED	ANDY	標準 APPROVED	版本 VISION	(D)	(B)
繪圖 DRAWN	ANDY	核准 APPROVED	Michael		
機型 MODEL	ACT-747a/727a(R184E1)				
比例 SCALE	2 / 3 / A2				



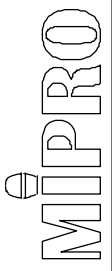


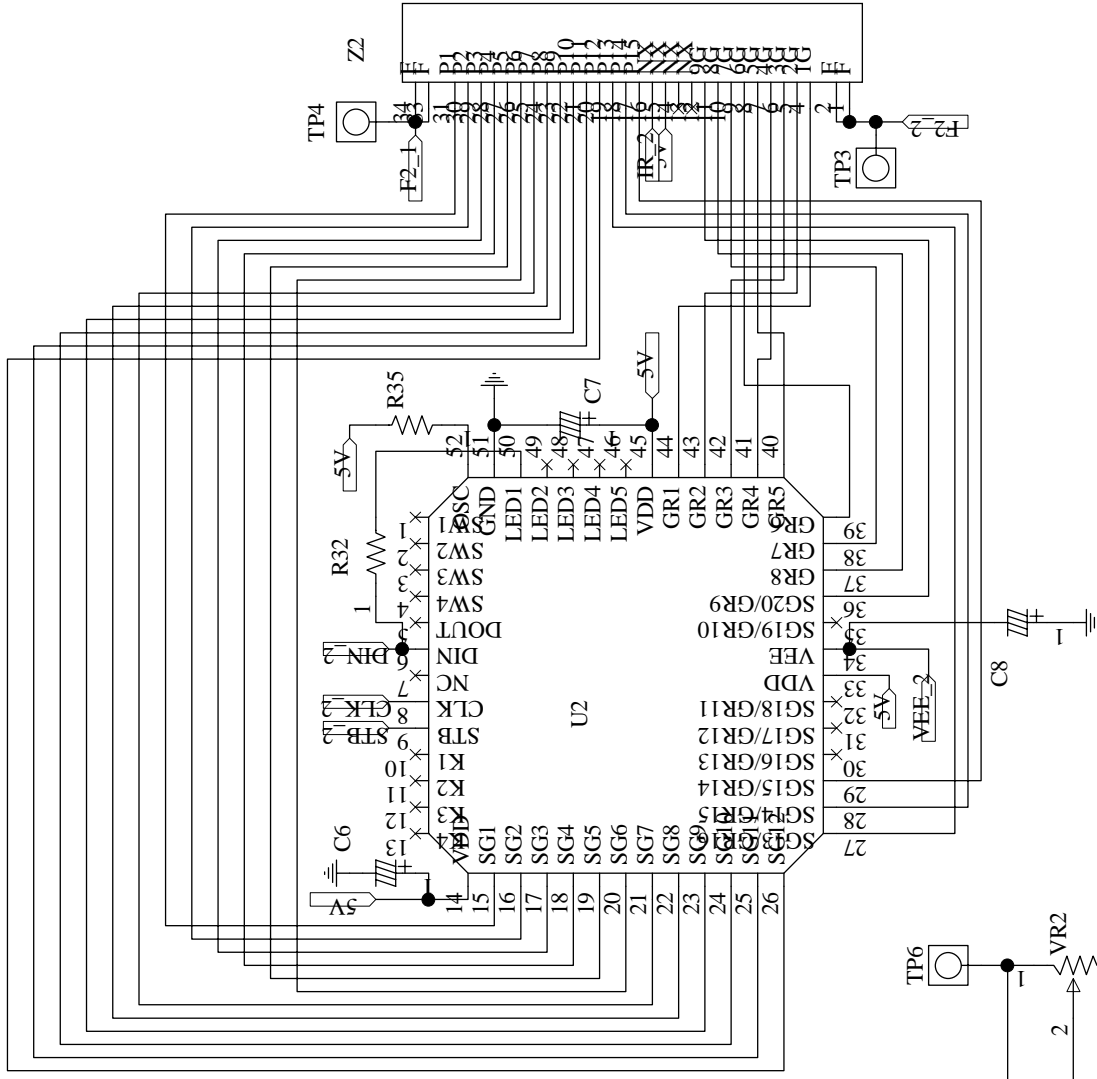
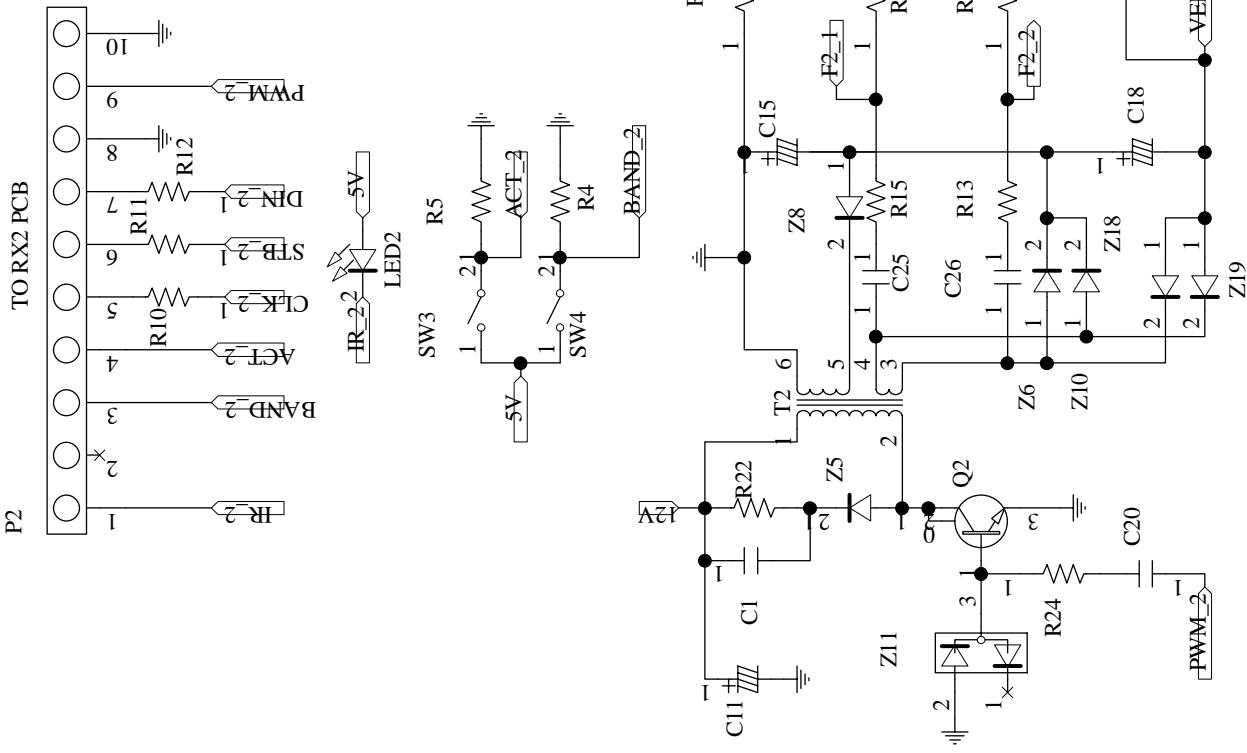
圖號 NUMBER	1CR184EA-C3	圖名 DESCRIPTION	CIRCUIT (AF)		
日期 DATE	09/08/2010	物料 MATERIAL	版本 VISION	(F)	(G)
設計 DESIGNED	ANDY	核准 APPROVED	圖者 DRAWN	(D)	(E)
			Michael	(B)	(C)





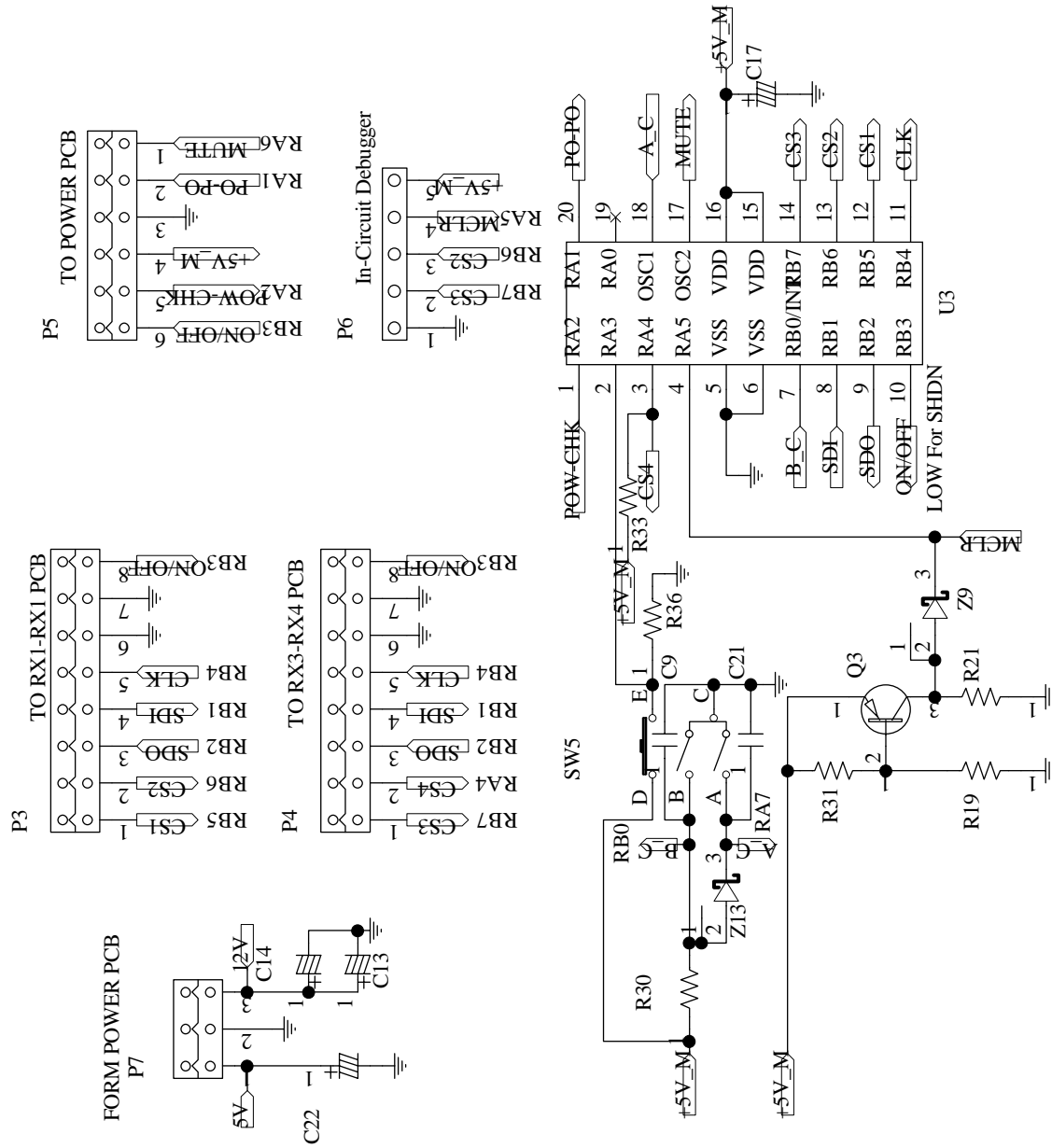
圖號 NUMBER	1CR186CA-C1	機型 MODEL	ACT-727a/747a (R186C1)	品名 DESCRIPTION	CH1 VFD	(G)
日期 DATE	11/04/2009	比例 SCALE	1 / 3 / A3	材料 MATERIAL		(E)
設計 DESIGN	Andy	繪圖 DRAWN	Andy	核准 APPROVED	Michael	(C)
				版本 VERSION		(B)
				VISION		(D)



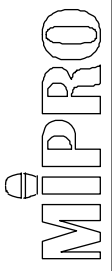


圖號	1CR186CA-C2	機型	ACT-727a/747a (R186C1)	品名	CH2 VFD	(G)
NUMBER		MODEL		DESCRIPTION		(F)
日期	11/04/2009	比例	2 / 3 / A3	材料	VISION	(E)
DATE		SCALE		MATERIAL		(D)
設計	Andy	繪圖	Andy	核准	Michael	(B)
DESIGNED		DRAWN		APPROVED		(C)

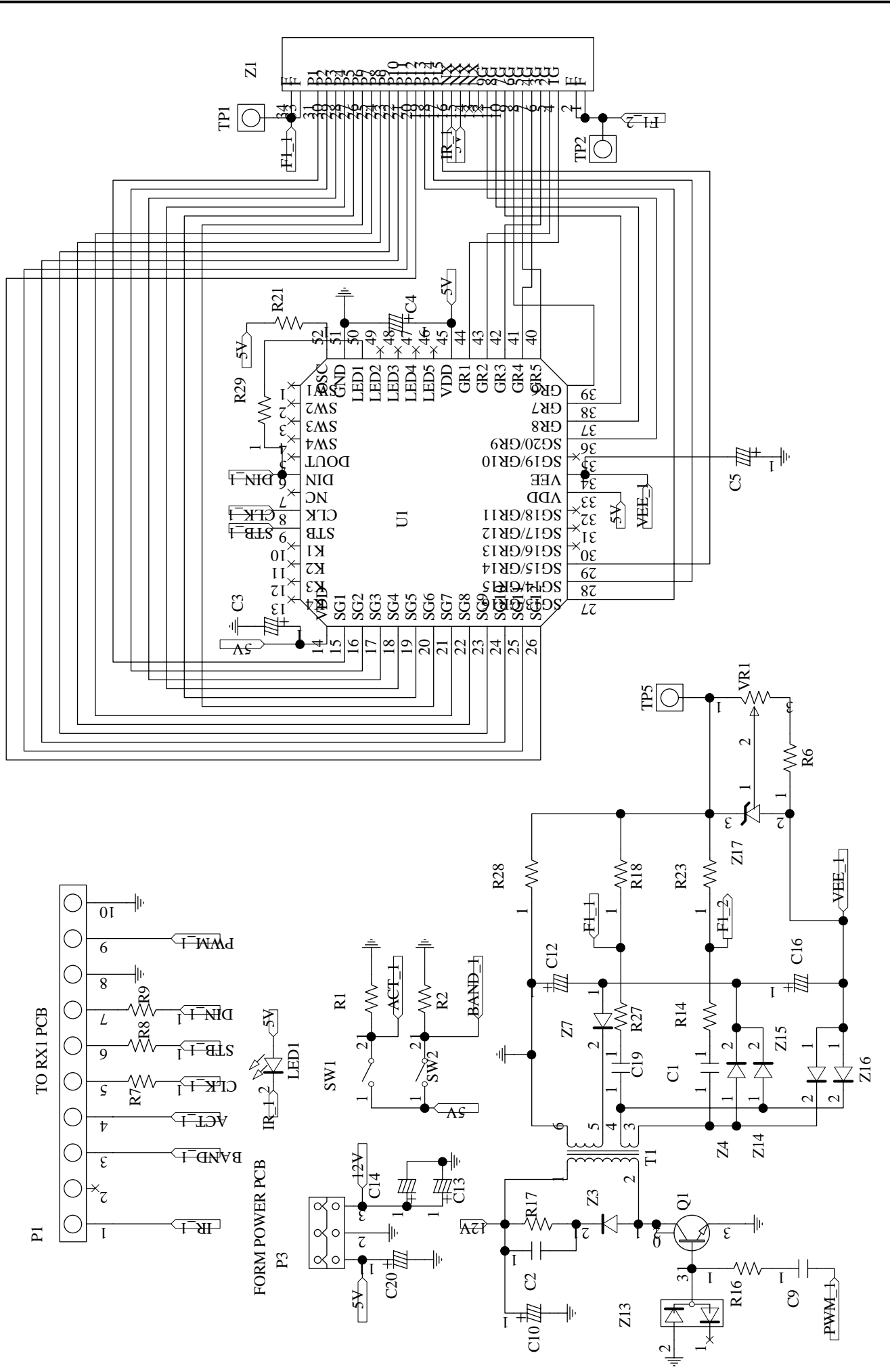
MIPRO



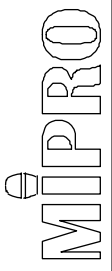
圖號 NUMBER	1CR186CA-C3	機型 MODEL	ACT-727a/747a (R186C1)	品名 DESCRIPTION	MCU	(G)
日期 DATE	11/04/2009	比例 SCALE	3 / 3 / A3	材類 MATERIAL		(E)
設計 DESIGN	Andy	繪圖 DRAWN	Andy	核准 APPROVED	Michael	(C)
				版本 VERSION		(B)
						(D)
						(F)

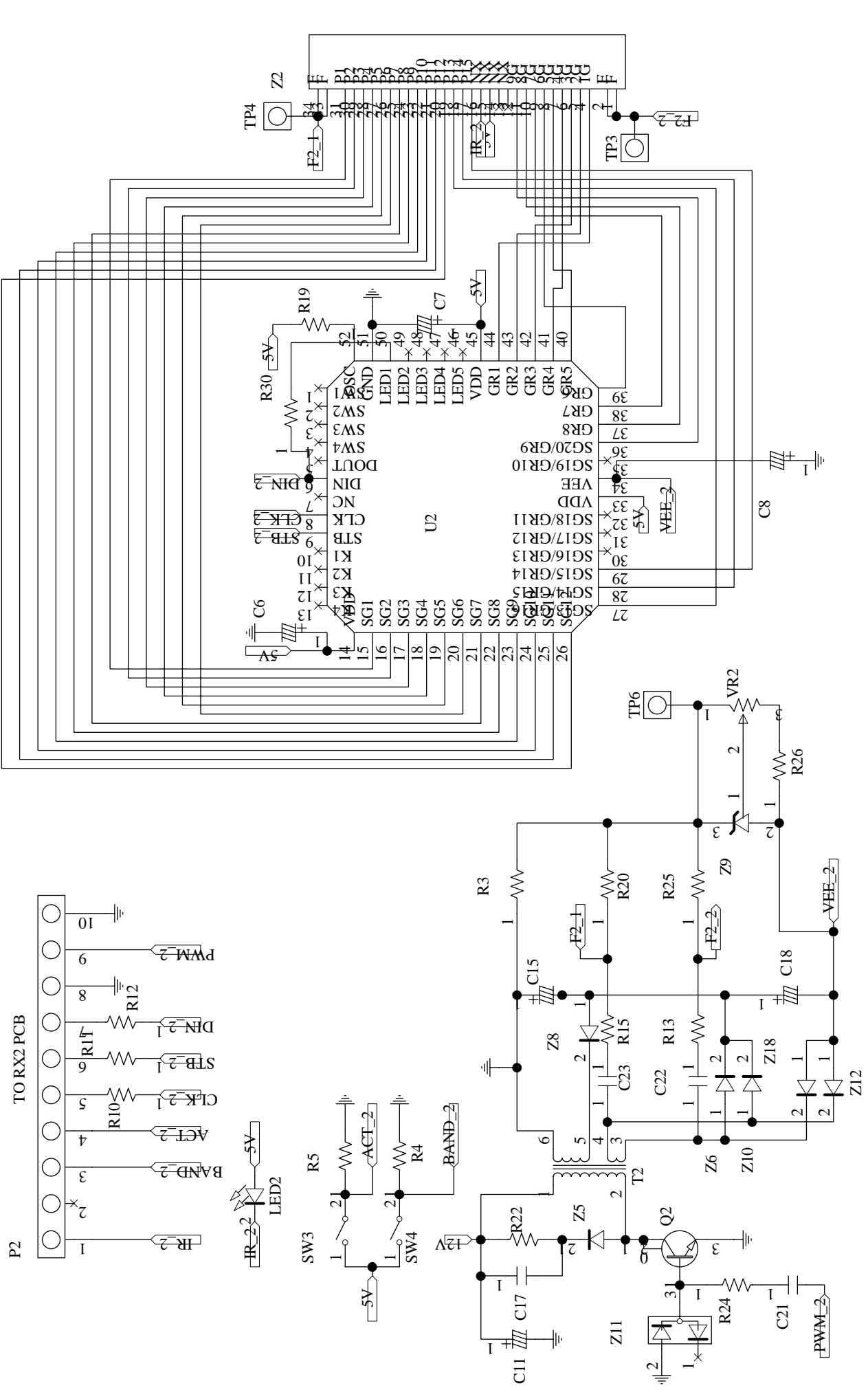




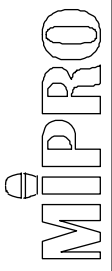


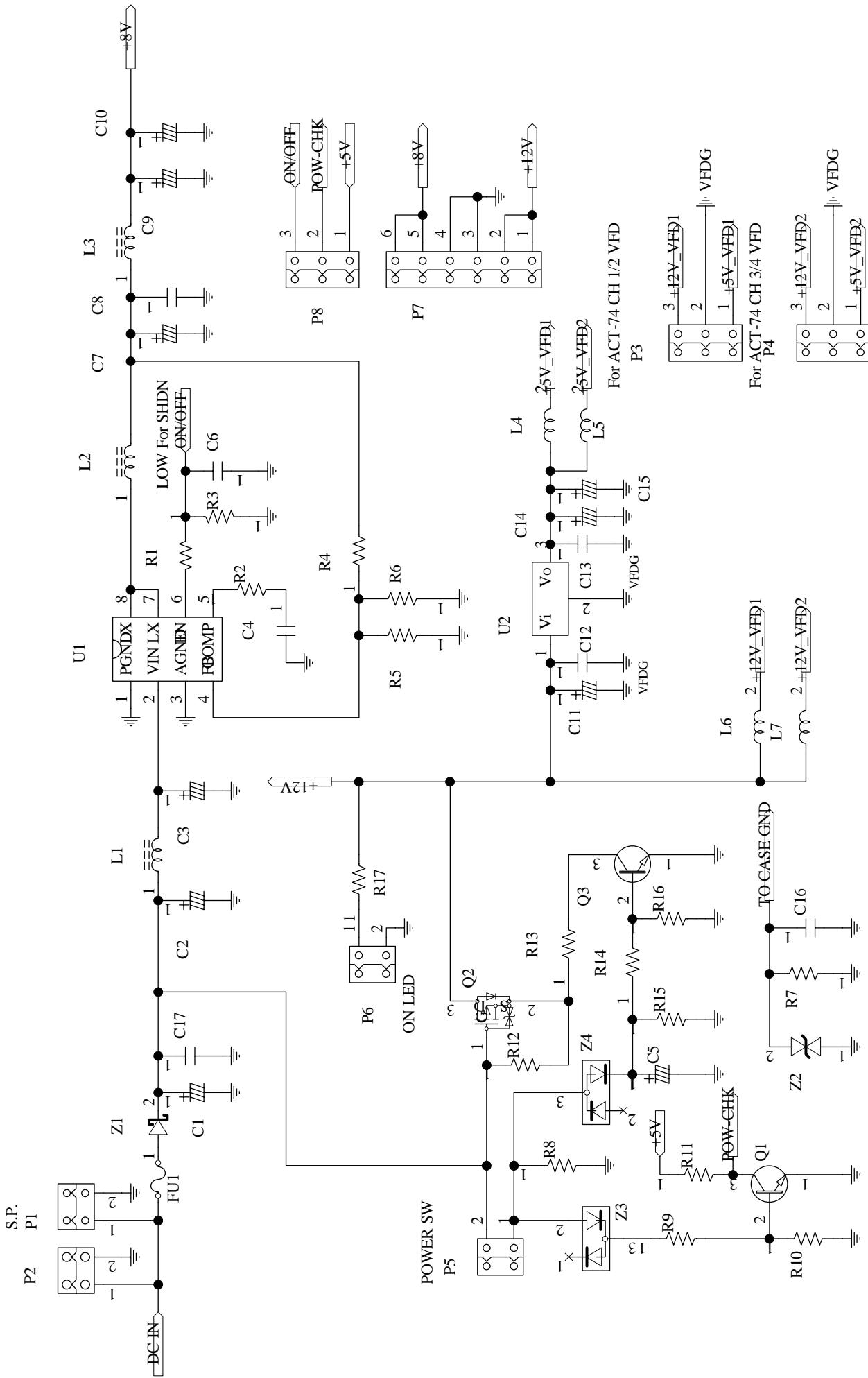
圖號 NUMBER	1C187CA-C1	機型 MODEL	ACT-747a (R187C1)	品名 DESCRIPTION	CH1 VFD	(G)
日期 DATE	11/05/2009	比例 SCALE	1 / 2 / A3	材質 MATERIAL	VISION	(E)
設計 DESIGN	Andy	繪圖 DRAWN	Andy	核准 APPROVED	Michael	(C)



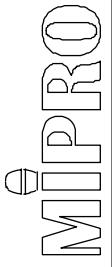


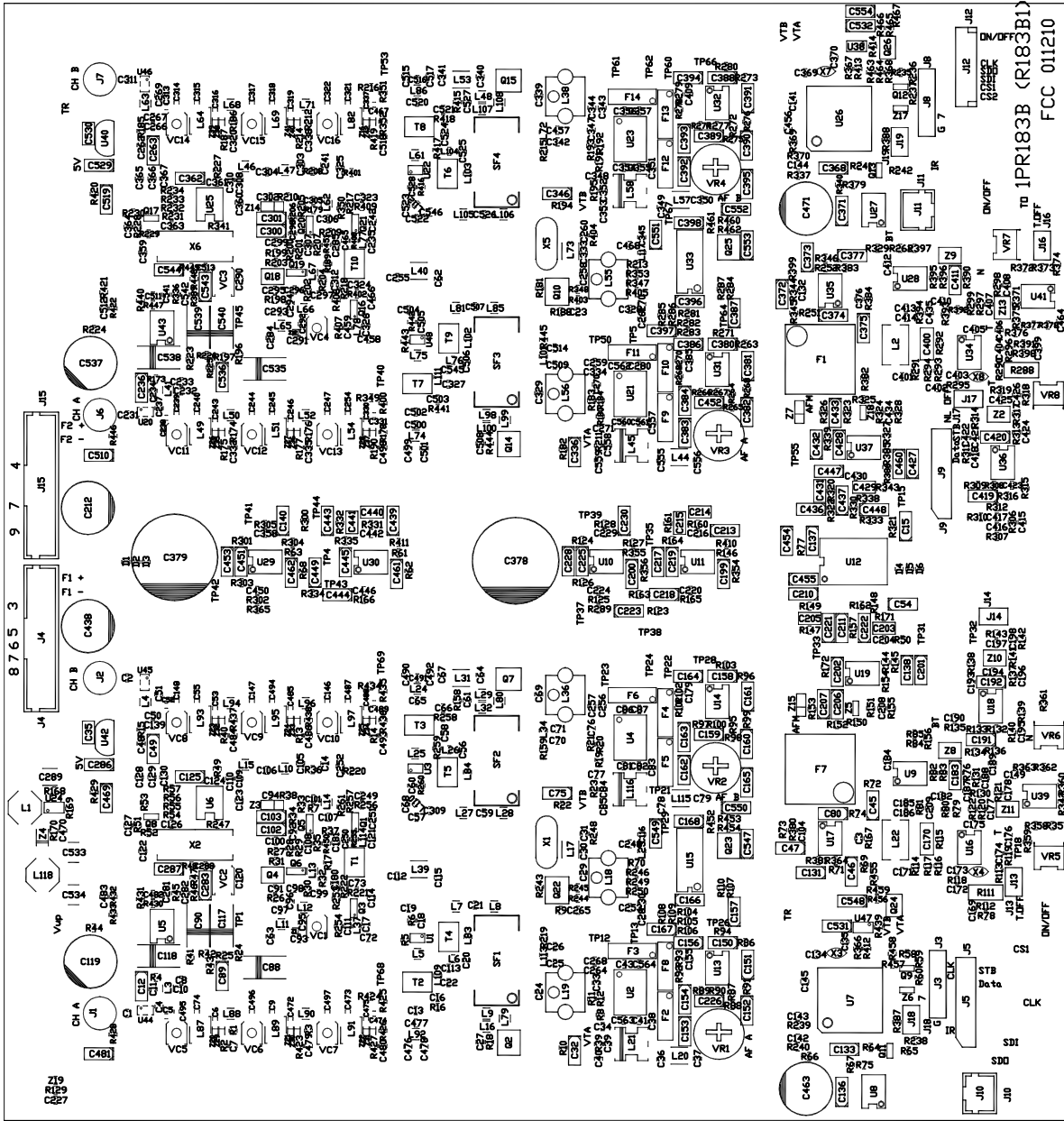
圖號	1C187CA-C2	機型	ACT-747a (R187C1)	品名	CH2 VFD	(G)
NUMBER		MODEL		DESCRIPTION		(F)
日期	11/05/2009	比例	2 / 2 / A3	材料		(E)
DATE		SCALE		MATERIAL	版本	(D)
設計	Andy	繪圖	Andy	核准	VISION	(B)
設計		DRAWN		APPROVED	Michael	(C)



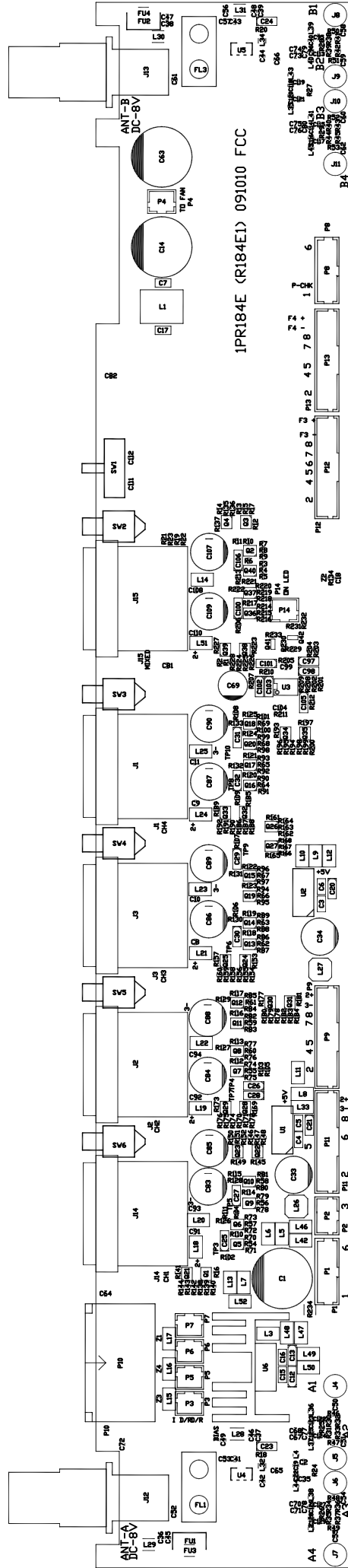


圖號	1CR185BA-C1	機型	ACT-727a/747a(R185B2)	品名	CIRCUIT (DC/DC)	(G)
NUMBER	01/20/2010	MODEL	1 / 1 / A3	DESCRIPTION	版本	(F)
日期	ANDY	SCALE	ANDY	MATERIAL	VISION	(D)
設計		繪圖		核准	(B)	(E)
DESIGNED		DRAWN		APPROVED	Michael	(C)

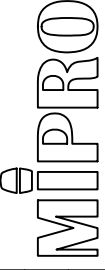


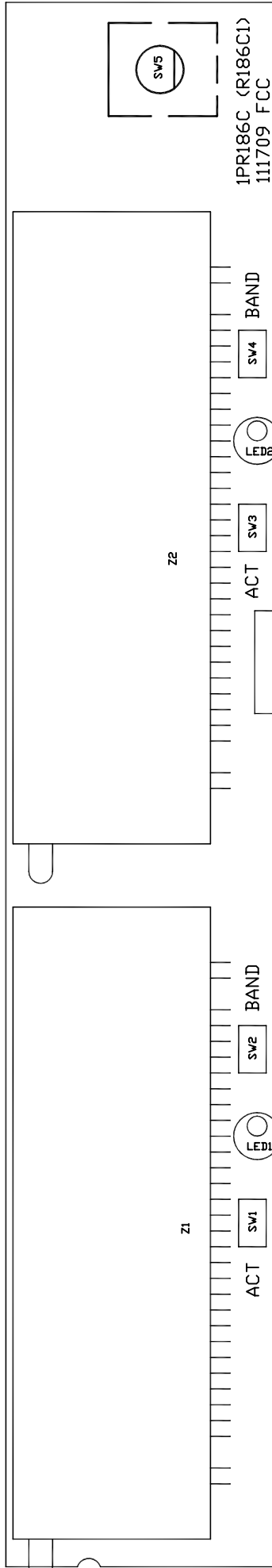


圖號 NUMBER	1PR183BA-F1	機型 MODEL	ACT-727a/747a	品名 DESCRIPTION	PARTS REFERENCE(TOP)	版本 VISION	△	△	△
日期 DATE	05/31/2010	比例 SCALE	1=1 A4	材質 MATERIAL	1.6mm 玻璃板				
設計 DESIGNED	ANDY	繪圖 DRAWN	Melody	核准 APPROVED	Michael				

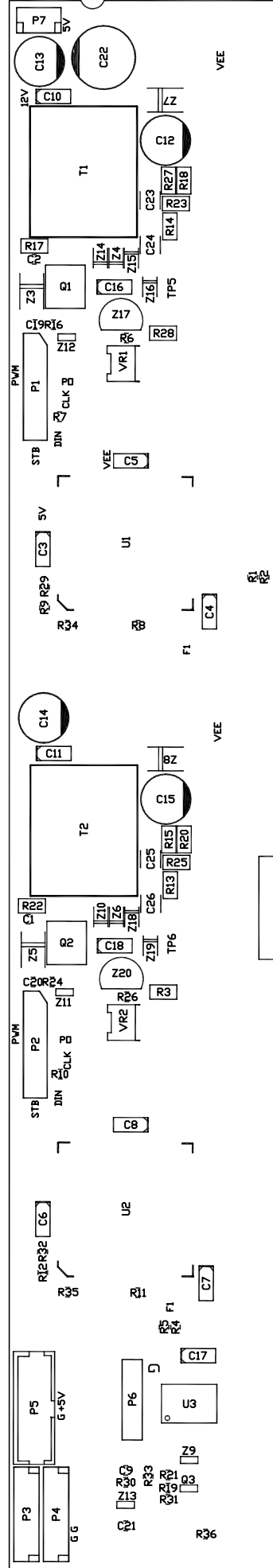


圖號 NUMBER	1PR184EA-F1	機型 MODEL	ACT-727a/747a Splitter	品名 DESCRIPTION	零件編號 (PARTS REFERENCE) (TOP)	圖號 DRAWING NO.	1PR184EA-F1
日期 DATE	01/19/2011	比例 SCALE	1=1 A4	材料 MATERIAL	1.6m/m 玻璃板	圖號 DRAWING NO.	1PR184EA-F1
設計 DESIGNED	ANDY	核准 APPROVED	Melody	核對 CHECKED	Michael	圖號 DRAWING NO.	1PR184EA-F1
				版本 VISION	板本	圖號 DRAWING NO.	1PR184EA-F1



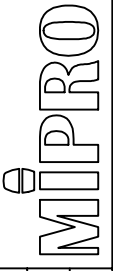


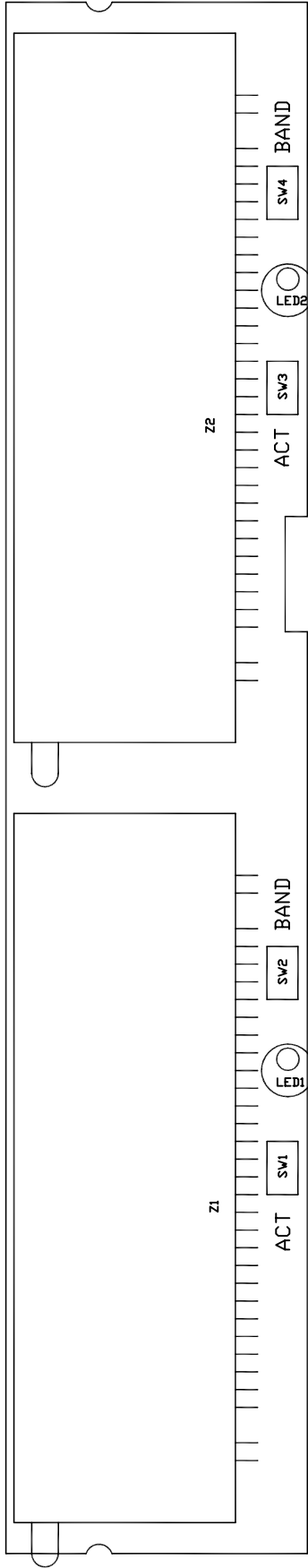
TOP



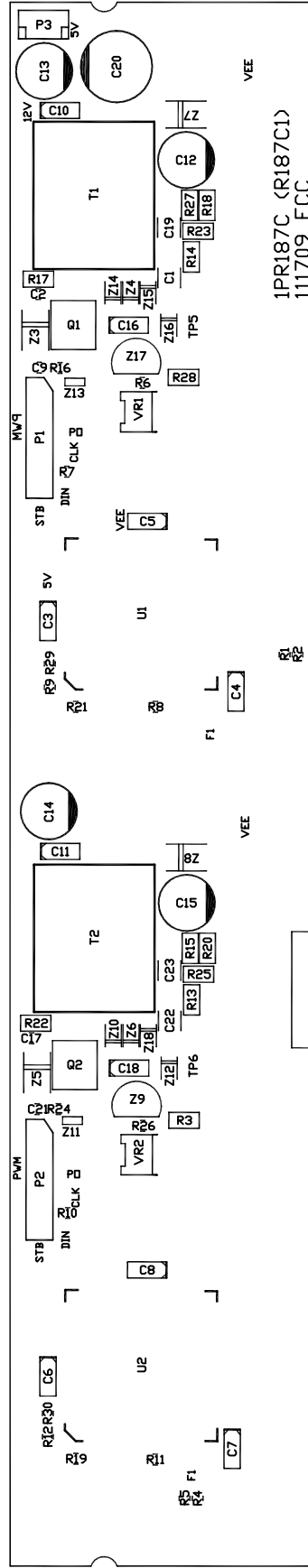
BOT

圖號 NUMBER	1PR186CA-F1/F2	機型 MODEL	ACT-727a/747a VFD	品名 DESCRIPTION	零件編號(PARTS REFERENCE)(TOP/BOT)	版本 VISION	核准 APPROVED	核准 APPROVED	核准 APPROVED	核准 APPROVED
日期 DATE	10/01/2008	比例 SCALE	1=1 A4	材質 MATERIAL	1.6m/m 玻璃板	VISION	Michael	Michael	Michael	Michael
設計 DESIGNED	ANDY	繪圖 DRAWN	Melody	核准 APPROVED	Michael	VISION	Michael	Michael	Michael	Michael



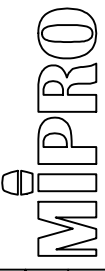


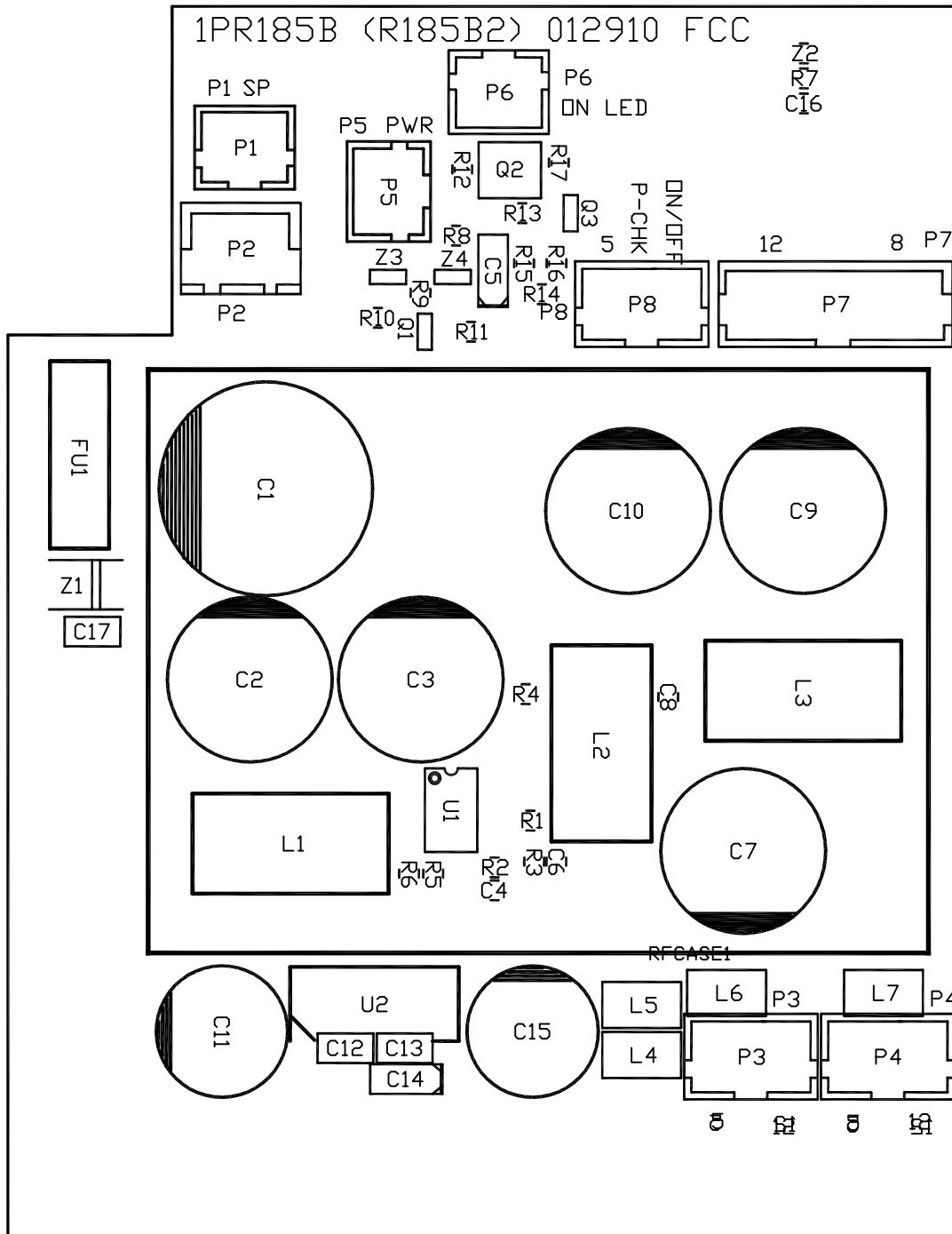
TOP



BOT

圖號 NUMBER	1P187CA-F1/F1	機型 MODEL	ACT-747a VFD	品名 DESCRIPTION	零件編號(PARTS REFERENCE)(TOP/BOT)	△	△
日期 DATE	05/31/2010	比例 SCALE	1=1 A4	材質 MATERIAL	版本 VISION	△	△
設計 DESIGNED	ANDY	繪圖 DRAWN	Melody	核准 APPROVED	VISION	△	△
				1.6mm 玻纖板			
				Michael			





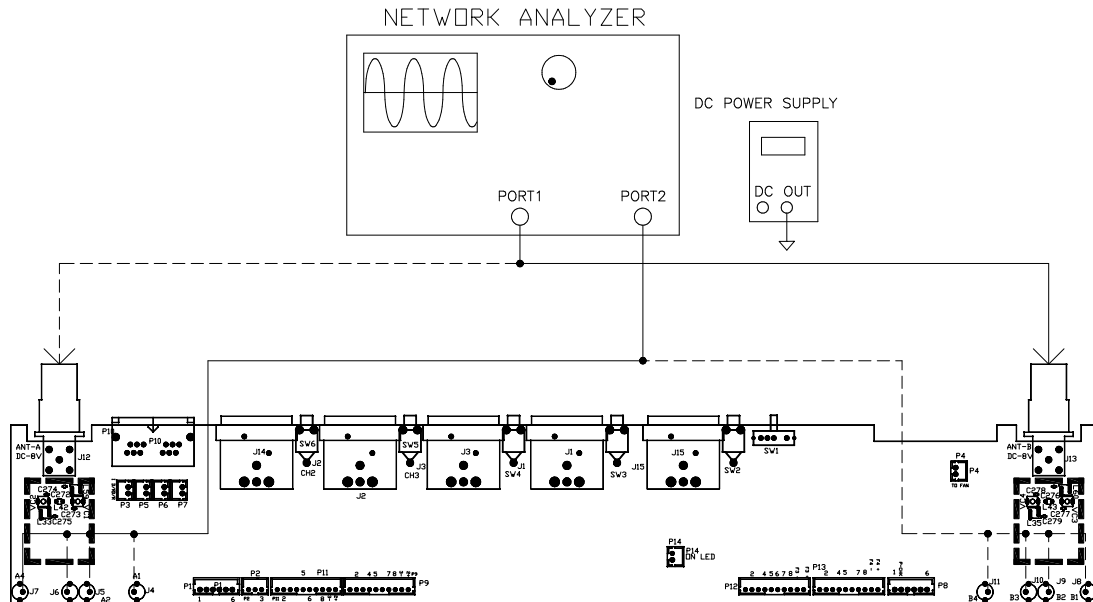
圖號 NUMBER	1PR185BA-F1	機型 MODEL	ACT-727a/747a(R185B2)	品名 DESCRIPTION	零件編號(PARTS REFERENCE)(TOP)	版本 VISION	
日期 DATE	05/31/2010	比例 SCALE	1=1 A4	材質 MATERIAL	1.6m/m 玻纖板		
設計 DESIGNED	ANDY	繪圖 DRAWN	Melady	核准 APPROVED	Michael		





# TEST AND ALIGNMENT INSTRUCTIONS

## I、Measuring instruments and test set-up



## II、Pre-set

### A. Network Analyzer

(\*) ① Center Frequency

### B. Dc power supply

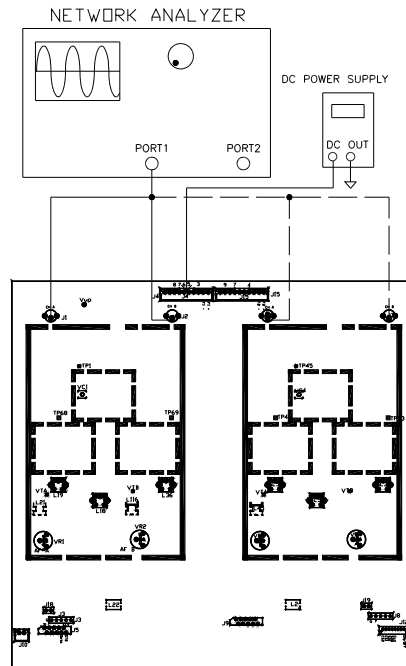
① 12V OUT

NO	MEASUREMENT ADJUSTMENT	SIGNAL INPUT	PREPARATION UNIT SETTING	TESTPOINT	ADJUSTER	NORMAL VALUE
1	FREQUENCY RESPONSE	1. DC Voltmeter 2. Network Analyzer SPAN : 200MHz	Network Analyzer	CHA⇒A1~A4 CHB⇒B1~B4	CHA⇒L33、L59、VC1、VC2 CHB⇒L35、L60、VC3、VC4	±1.5dB Gain>1.5dB
2	DC BIAS	1. DC Voltmeter	DC Voltmeter	J12、J13	NOE	8V ± 0.3V

(\*) Center frequency must be set in the middle of each band.

# TEST AND ALIGNMENT INSTRUCTIONS

## III、 Measuring instruments and test set-up



## IV、 Pre-set

### A. Network Analyzer

(\*) ① Center Frequency

### B. Dc power supply

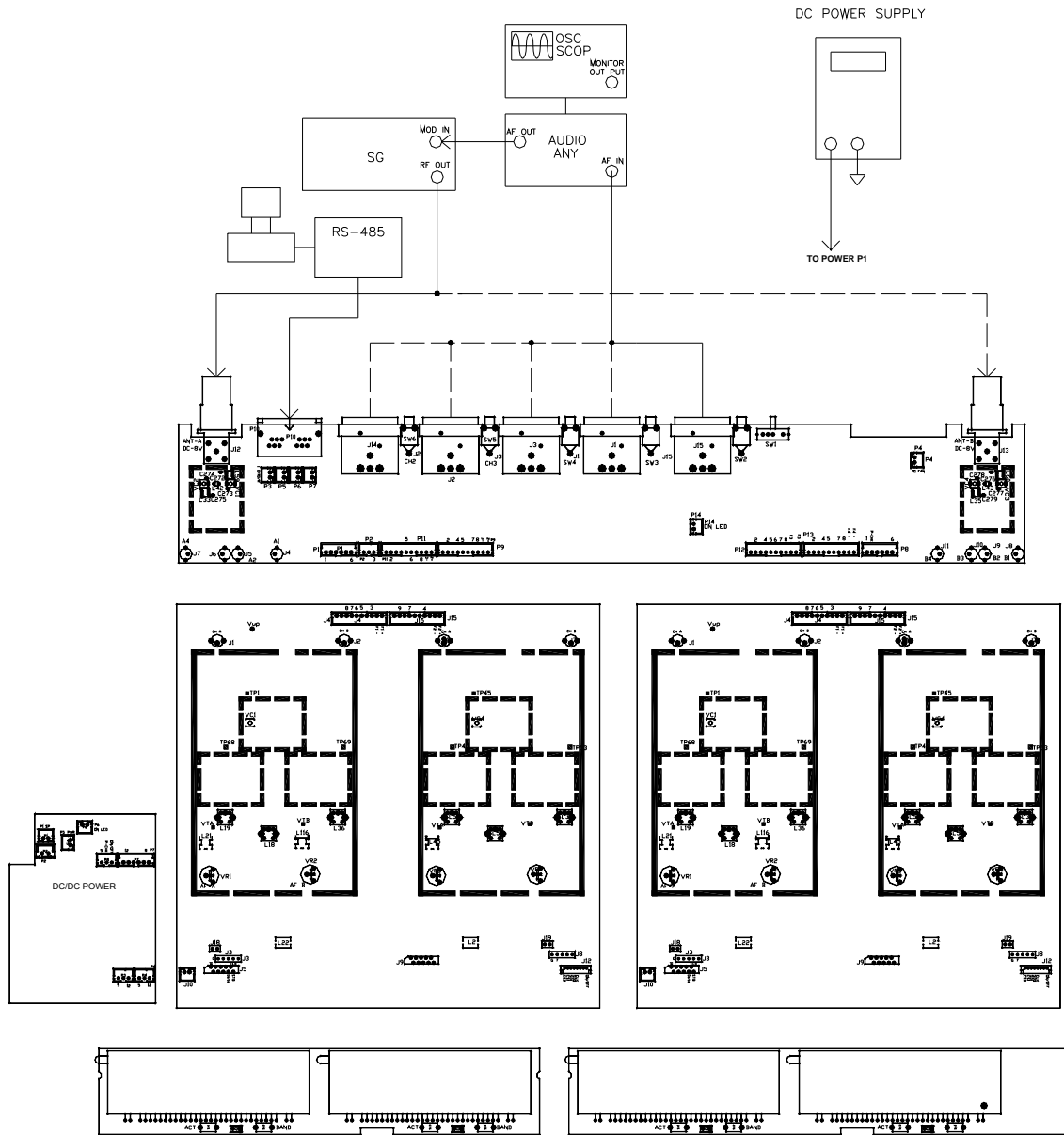
① 8V OUT

NO	MEASUREMENT ADJUSTMENT	SIGNAL INPUT	PREPARATION UNIT SETTING	TESTPOINT	ADJUSTER	NORMAL VALUE
1	FREQUENCY RESPONSE	1. DC Voltmeter 2. Network Analyzer SPAN : 200MHz	Network Analyzer	CHA⇒TP68 (TP40) CHB⇒TP69 (TP53)	CHA⇒L87(L49) 、 L89(L51) 、 L91(L54) 、 VC5(VC11) 、 VC6(VC12) 、 VC7(VC13) CHB⇒L93(L64) 、 L95(L69) 、 L97(L82) 、 VC8(VC14) 、 VC9(VC15) 、 VC10(VC16)	±3dB Gain>10dB

(\*) Center frequency must be set in the middle of each band

# TEST AND ALIGNMENT INSTRUCTIONS

## V、 Measuring instruments and test set-up



# TEST AND ALIGNMENT INSTRUCTIONS

## VI, Pre-set

### A.RF Signal Generator

- ① 50dBuV OUT
- ② EXT. Modulation "ON"
- ③ INT Modulation "ON" and INT AF set to  
32.768KHz
- ④ Derivation : 40KHz

### B. Audio analyzer

- ① AF OUT 400Hz, -9dBV
- ② 100Hz High PASS "ON"
- ③ 20K LOW PASS "ON"

### C. Dc power supply

- ① 12V OUT

NO	MEASUREMENT ADJUSTMENT	SIGNAL INPUT	PREPARATION UNIT SETTING	TESTPOINT	ADJUSTER	NORMAL VALUE
1	VCO CH "C"	1. DC Voltmeter 2. CH SW⇒ "C"	DC Voltmeter	CH1 TP1 CH2 TP45	VC1 VC4	≐ 8.6V
2	VCO CH "L"	1. DC Voltmeter 2. CH SW⇒ "L"	DC Voltmeter	CH1 TP1 CH2 TP45	NOE	>1.9V
3	VCO CH "U"	1. DC Voltmeter 2. CH SW2⇒ "U"	DC Voltmeter	CH1 TP1 CH2 TP45	NOE	<20V
4	CURRENT CONSUMPTION	DC POWER SUPPLY⇒12V 1. SG : 60dBμV DEV : 40KHz AFG : 400Hz	current meter	POWER P1	NOE	727 : 0.95A ± 50mA 747 : 1.66A ± 80mA
5	THD	1. SG : 60dBμV DEV : 40KHz AFG : 400Hz	audio analyzer	CH1 J14 CH2 J2 CH3 J3 CH4 J1	A CH⇒L21 (L45) B CH⇒L116 (L58)	≤ 0.6%
6	AUDIO LEVEL	1. SG : 60dBμV DEV : 40KHz AFG : 400Hz	audio analyzer	CH1 J14 CH2 J2 CH3 J3 CH4 J1	A CH⇒VR1 VR3 B CH⇒VR2 VR4	1.2V ± 100mV
7	TONE"ON"	1. SG : 60dBμV DEV : 5KHz AFG : 400Hz	DC Voltmeter	TONE POINT	CH1、CH3⇒L22 CH2、CH4⇒L2	3.8V~4V

## TEST AND ALIGNMENT INSTRUCTIONS

NO	MEASUREMENT ADJUSTMENT	SIGNAL INPUT	PREPARATION UNIT SETTING	TESTPOINT	ADJUSTER	NORMAL VALUE
8	MIC LEVEL	1. CH SW2⇒ "98" 2. SG : 60dB $\mu$ V DEV : 40KHz AFG : 400Hz	audio analyzer	CH1 J14 CH2 J2 CH3 J3 CH4 J1	SW1 (RELATIVE 0dB)	+11.5dB $\pm$ 0.5dB (RELATIVE 0dB) -6dB $\pm$ 0.5dB
9	Sensitivity	1. SG : 6dB $\mu$ V DEV : 40KHz AFG : 400Hz	audio analyzer	CH1 J14 CH2 J2 CH3 J3 CH4 J1	NOE	$\geq$ 75dB S/N
10	S/N-RATIO	1. SG : 60dB $\mu$ V DEV : 56KHz AFG : 400Hz	audio analyzer	CH1 J14 CH2 J2 CH3 J3 CH4 J1	NOE	$\geq$ 100dB S/N
11	AUDIO FREQUENCY RESPONSE	1. SG : 60dB $\mu$ V DEV : 40KHz AFG : 10KHz	audio analyzer	CH1 J14 CH2 J2 CH3 J3 CH4 J1	NOE	-18dB $\pm$ 1.5dB (RELATIVE 0dB)
12	AF Meter	1. SG : 60dB $\mu$ V DEV : 48KHz AFG : 400Hz	AF Meter	NOE	NOE	AF Meter all Bright
13	RF Meter	1. SG : 45dB $\mu$ V DEV : 40KHz AFG : 400Hz	RF Meter	NOE	NOE	RF Meter all Bright
14	BATT. LOW DISPLAY	1. SG : 60dB $\mu$ V DEV : 40KHz AFG : 400Hz BATT TEST	BATT Meter	NOE	NOE	BATT Meter all Bright
15	VCO CH "L" SQUELCH	1. SG : 12dB $\mu$ V DEV : 40KHz AFG : 400Hz	AF Meter	NOE	NOE	AF Meter just light
16	VCO CH "U" SQUELCH	1. SG : 12dB $\mu$ V DEV : 40KHz AFG : 400Hz	AF Meter	NOE	NOE	AF Meter just light

## PART LIST

CIRCUIT : 1PR183B1

COMPUCTOR NO.	REFETENCE	VALUE
1CCS6P471	C1	470P
1CCS6P471	C2	470P
1CCS6P047	C3	47P
1CCS6P101	C4	100P
C5	C5	C5
C6	C6	C6
1CCS6X102	C7	102P
1CCS6P471	C8	470P
C9	C9	C9
1CCS6X103	C10	103P
1CCS6X103	C11	103P
1CTSBA106	C12	10uF
1CCS6P471	C13	470P
1CCS6P471	C14	470P
1CTSCA225	C15	2.2uF/25V
1CCS6P471	C16	470P
1CCS6P008	C17	8P
1CCS6P471	C18	470P
1CCS6P471	C19	470P
1CCS6P471	C20	470P
1CCS6P008	C21	8P
C22	C22	C22
1CCS6X103	C23	103P
1CCS6P013	C24	13P
1CCS6X223	C25	223P
1CCS6P471	C26	470P
1CCS6X223	C27	223P
1CCS6X102	C28	102P
1CCS6P033	C29	33P
1CCS6P068	C30	68P
1CCS6X223	C31	223P
1CTSBA106	C32	10uF
1CCS6X223	C33	223P
1CCS6X103	C34	103P
1CCS8Y104	C35	104P
1CCS6P033	C36	33P
1CCS6P033	C37	33P
1CCS6P002	C38	2P
1CCS6P039	C39	39P
1CCS6X104	C40	104P
1CCS6X223	C41	223P
1CCS6X223	C43	223P
1CTSBA475	C45	4.7uF
1CTSBA475	C46	4.7uF

ACT747P01A

COMPUCTOR NO.	REFETENCE	VALUE
1CTSBA475	C47	4.7uF
1CCS6X103	C48	103P
1CTSBA106	C49	10uF
1CCS6P471	C50	470P
1CCS6P101	C51	100P
C52	C52	C52
C53	C53	C53
1CTSCA225	C54	2.2uF/25V
C55	C55	C55
1CCS6P471	C56	470P
1CCS6P008	C57	8P
1CCS6P471	C58	470P
1CCS6P008	C59	8P
1CCS6P471	C60	470P
1CCS6X223	C61	223P
1CCS6P471	C62	470P
1CCS6P101	C63	100P
1CCS6P471	C64	470P
1CCS6P471	C65	470P
1CCS6P471	C66	470P
1CCS6P471	C67	470P
C68	C68	C68
1CCS6P013	C69	13P
1CCS6P471	C70	470P
1CCS6X223	C71	223P
1CCS6P471	C72	470P
1CCS6X102	C73	102P
C74	C74	C74
1CTSBA106	C75	10uF
1CCS6X223	C76	223P
1CCS6X103	C77	103P
1CCS6P033	C78	33P
1CCS6P033	C79	33P
1CTSBA475	C80	4.7uF
1CCS6X223	C81	223P
1CCS6X223	C82	223P
1CCS6P002	C83	2P
1CCS6P039	C84	39P
1CCS6X104	C85	104P
1CCS6X223	C86	223P
1CCS6X223	C87	223P
1CTSDA474	C89	0.47uF
1CTSDC475	C90	4.7uF
1CCS6X103	C91	103P

## PART LIST

CIRCUIT : 1PR183B1

COMPUCTOR NO.	REFETENCE	VALUE
1CCS6P101	C92	100P
C93	C93	C93
1CCS6P471	C94	470P
C95	C95	C95
C96	C96	C96
C97	C97	C97
C98	C98	C98
C99	C99	C99
1CCS6P471	C100	470P
1CCS6X102	C101	102P
1CTSBA106	C102	10uF
1CTSBA106	C103	10uF
1CCS6P047	C104	47P
1CCS6P471	C105	470P
1CCS6P471	C106	470P
1CCS6P471	C107	470P
1CCS6P471	C108	470P
1CCS6P003	C109	3P
1CCS6P047	C110	47P
1CCS6P471	C111	470P
1CCS6P471	C112	470P
C113	C113	C113
1CCS6P471	C114	470P
1CCS6P471	C115	470P
1CCS6X102	C116	102P
1CTSDC475	C117	4.7uF
	C118	4.7uF
1CENDA227	C119	220uF/35V
1CCS6P471	C121	470P
1CCS6P033	C122	33P
1CCS6X103	C123	103P
1CCS6P471	C124	470P
1CTSBA475	C125	4.7uF
1CCS6X473	C126	473P
1CCS6P101	C128	100P
1CCS6P101	C129	100P
1CCS6P101	C130	100P
1CTSCA225	C131	2.2uF/25V
1CCS6P047	C132	47P
1CTSBA475	C133	4.7uF
1CCS6P015	C134	15P
1CCS6P015	C135	15P
1CTSBA106	C136	10uF
1CTSBA106	C137	10uF

ACT747P01A

COMPUCTOR NO.	REFETENCE	VALUE
1CTSCA225	C138	2.2uF/25V
1CCS6X103	C139	103P
1CTSBA475	C140	4.7uF
C146	C146	C146
C147	C147	C147
C148	C148	C148
1CCS6X473	C149	473P
1CTSBA475	C150	4.7uF
1CTSDA474	C151	0.47uF
1CTSBA475	C152	4.7uF
1CTSBA475	C153	4.7uF
1CTSBA475	C154	4.7uF
1CCS6P015	C155	15P
1CTSBA105	C156	1uF
1CTSBA475	C157	4.7uF
1CTSBA475	C158	4.7uF
1CTSBA475	C159	4.7uF
1CTSBA475	C160	4.7uF
1CTSDA474	C161	0.47uF
1CTSBA475	C162	4.7uF
1CTSBA475	C163	4.7uF
1CTSBA105	C164	1uF
1CTSBA475	C165	4.7uF
1CTSCA225	C166	2.2uF/25V
1CTSBA106	C167	10uF
1CCS6X473	C169	473P
1CCSCF332	C170	332P
1CCS6X272	C171	272P
1CCS6X473	C172	473P
1CCS6P012	C173	12P
1CCS6P121	C174	120P
1CCS6X473	C175	473P
1CCS6X103	C176	103P
1CCS6X104	C177	104P
1CCS6X104	C178	104P
1CCS6P015	C179	15P
1CCS6P101	C180	100P
1CCS6P101	C181	100P
1CCS6X473	C182	473P
1CTSDA474	C183	0.47uF
1CCS6X473	C184	473P
1CCS6X473	C185	473P
1CCS6X104	C186	104P
1CCS6P331	C187	330P

## PART LIST

CIRCUIT : 1PR183B1

COMPUCTOR NO.	REFETENCE	VALUE
1CCS6P151	C188	150P
1CCS6P151	C189	150P
1CCS6P033	C190	33P
1CTSCA225	C191	2.2uF/25V
1CTSBA475	C192	4.7uF
1CCS6P331	C193	330P
1CCS6P151	C194	150P
1CCS6P151	C195	150P
1CCS6X103	C196	103P
1CCS6Y105	C197	105P
1CCS6Y105	C198	105P
1CTSDA474	C199	0.47uF
1CTSCA225	C200	2.2uF/25V
1CTSBA475	C201	4.7uF
1CTSBA475	C202	4.7uF
1CCS8P152	C203	152P
1CCS6P151	C204	150P
1CCS8Y104	C205	104P
1CTSBA475	C206	4.7uF
1CTSBA475	C207	4.7uF
1CCS6X473	C208	473P
1CCS6X392	C209	392P
1CTSCA225	C210	2.2uF/25V
1CTSDA474	C211	0.47uF
1CENDA227	C212	220uF/35V
1CTSBA475	C213	4.7uF
1CCS8P102	C214	102P
1CCS8X103	C215	103P
1CCS6P068	C216	68P
1CTSBA106	C217	10uF
1CTSBA106	C218	10uF
1CTSBA106	C219	10uF
1CCS6P101	C220	100P
1CTSBA475	C221	4.7uF
1CTSBA475	C222	4.7uF
1CTSBA106	C223	10uF
1CCS6P101	C224	100P
1CTSBA106	C225	10uF
1CTSBA475	C226	4.7uF
1CCS6X103	C227	103P
1CTSAA226	C228	22uF
1CCS6P101	C229	100P
1CTSBA475	C230	4.7uF
1CCS6P471	C231	470P

ACT747P01A

COMPUCTOR NO.	REFETENCE	VALUE
1CCS6X103	C232	103P
1CCS6P471	C233	470P
1CCS6X103	C234	103P
1CCS6P471	C235	470P
1CTSBA106	C236	10uF
1CCS6P101	C237	100P
C238	C238	C238
C239	C239	C239
C240	C240	C240
1CCS6P471	C241	470P
1CCS6P471	C242	470P
C243	C243	C243
C244	C244	C244
C245	C245	C245
C246	C246	C246
C247	C247	C247
1CCS6P033	C248	33P
1CCS6X102	C249	102P
1CCS6P471	C250	470P
1CCS6P471	C251	470P
1CCS6P471	C252	470P
1CCS6P033	C253	33P
C254	C254	C254
1CCS6P471	C255	470P
1CCS6P101	C256	100P
1CCS6P101	C257	100P
1CCS6P033	C258	33P
1CCS6P101	C259	100P
1CCS6X223	C260	223P
1CCS6X102	C261	102P
1CCS6X103	C262	103P
1CTSBA106	C263	10uF
1CCS6P101	C264	100P
1CCS6X103	C265	103P
1CCS6X103	C266	103P
1CCS6P471	C267	470P
1CCS6P101	C268	100P
1CCS6P101	C269	100P
1CCS6X223	C270	223P
1CCS6X103	C271	103P
1CCS6X223	C280	223P
1CCS6X472	C281	472P
1CTSDA104	C283	0.1uF
1CCS6P101	C284	100P



## PART LIST

CIRCUIT : 1PR183B1

COMPUCTOR NO.	REFETENCE	VALUE
1CCS6P101	C285	100P
1CTSBA106	C286	10uF
1CTSBA475	C287	4.7uF
1CCS6P331	C288	330P
1CCSCX106	C289	10uF/25V
C291	C291	C291
C292	C292	C292
C293	C293	C293
C294	C294	C294
1CCS6X103	C295	103P
C296	C296	C296
C297	C297	C297
1CCS6P101	C298	100P
1CCS6P471	C299	470P
1CTSBA106	C300	10uF
1CTSBA106	C301	10uF
1CCS6P471	C302	470P
1CCS6P471	C303	470P
1CCS6P471	C304	470P
1CCS6X102	C305	102P
1CCS6P471	C306	470P
1CCS6P471	C307	470P
1CCS6P003	C308	3P
C309	C309	C309
1CCS6P047	C310	47P
1CCS6P471	C311	470P
1CCS6P101	C312	100P
C313	C313	C313
C314	C314	C314
C315	C315	C315
C316	C316	C316
C317	C317	C317
C318	C318	C318
C319	C319	C319
1CCS6X102	C320	102P
C321	C321	C321
C322	C322	C322
1CCS6X102	C323	102P
1CCS6X102	C324	102P
1CCS6P471	C325	470P
1CCS6P008	C326	8P
C327	C327	C327
1CCS6P033	C328	33P
1CCS6P013	C329	13P

ACT747P01A

COMPUCTOR NO.	REFETENCE	VALUE
C330	C330	C330
C331	C331	C331
1CCS6X102	C332	102P
1CCS6P068	C333	68P
1CCS6P101	C334	100P
1CCS6X102	C335	102P
1CTSBA106	C336	10uF
C337	C337	C337
1CCS6X102	C338	102P
1CCS6P013	C339	13P
1CCS6P471	C340	470P
1CCS6P471	C341	470P
1CCS6P471	C342	470P
1CCS6P101	C343	100P
1CCS6P101	C344	100P
1CCS6X102	C345	102P
1CTSBA106	C346	10uF
1CCS6X223	C347	223P
1CCS6X103	C348	103P
1CCS6P033	C349	33P
1CCS6P033	C350	33P
1CCS6P002	C351	2P
1CCS6P039	C352	39P
1CCS6X104	C353	104P
1CCS6X223	C354	223P
1CCS6X223	C355	223P
1CCS6X223	C356	223P
1CCS6X223	C357	223P
1CCS6P101	C358	100P
1CCS6P033	C359	33P
1CCS6X103	C360	103P
1CCS6P471	C361	470P
1CTSBA475	C362	4.7uF
1CCS6X473	C363	473P
1CCS6P101	C365	100P
1CCS6P101	C366	100P
1CCS6P101	C367	100P
1CTSBA475	C368	4.7uF
1CCS6P015	C369	15P
1CCS6P015	C370	15P
1CTSBA106	C371	10uF
1CTSBA475	C372	4.7uF
1CTSBA475	C373	4.7uF
1CTSBA475	C374	4.7uF

## PART LIST

CIRCUIT : 1PR183B1

COMPUCTOR NO.	REFETENCE	VALUE
1CTSBA475	C375	4.7uF
1CCS6P047	C376	47P
1CTSCA225	C377	2.2uF/25V
1CENCA228	C378	2200uF/25V
1CENCA228	C379	2200uF/25V
1CTSBA475	C380	4.7uF
1CTSDA474	C381	0.47uF
1CTSBA475	C382	4.7uF
1CTSBA475	C383	4.7uF
1CTSBA475	C384	4.7uF
1CCS6P015	C385	15P
1CTSBA105	C386	1uF
1CTSBA475	C387	4.7uF
1CTSBA475	C388	4.7uF
1CTSBA475	C389	4.7uF
1CTSBA475	C390	4.7uF
1CTSDA474	C391	0.47uF
1CTSBA475	C392	4.7uF
1CTSBA475	C393	4.7uF
1CTSBA105	C394	1uF
1CTSBA475	C395	4.7uF
1CTSCA225	C396	2.2uF/25V
1CTSBA106	C397	10uF
1CCS6X473	C399	473P
1CCSCF332	C400	332P
1CCS6X272	C401	272P
1CCS6X473	C402	473P
1CCS6P012	C403	12P
1CCS6P121	C404	120P
1CCS6X473	C405	473P
1CCS6X103	C406	103P
1CCS6X104	C407	104P
1CCS6X104	C408	104P
1CCS6P015	C409	15P
1CCS6X473	C410	473P
1CTSDA474	C411	0.47uF
1CCS6X473	C412	473P
1CCS6X473	C413	473P
1CCS6X104	C414	104P
1CCS6P331	C415	330P
1CCS6P151	C416	150P
1CCS6P151	C417	150P
1CCS6P033	C418	33P
1CTSCA225	C419	2.2uF/25V

ACT747P01A

COMPUCTOR NO.	REFETENCE	VALUE
1CTSBA475	C420	4.7uF
1CCS6P331	C421	330P
1CCS6P151	C422	150P
1CCS6P151	C423	150P
1CCS6X103	C424	103P
1CCS6Y105	C425	105P
1CCS6Y105	C426	105P
1CTSBA475	C427	4.7uF
1CTSBA475	C428	4.7uF
1CCS8P152	C429	152P
1CCS6P151	C430	150P
1CCS8Y104	C431	104P
1CTSBA475	C432	4.7uF
1CTSBA475	C433	4.7uF
1CCS6X473	C434	473P
1CCS6X392	C435	392P
1CTSCA225	C436	2.2uF/25V
1CTSDA474	C437	0.47uF
1CENDA227	C438	220uF/35V
1CTSBA475	C439	4.7uF
1CCS8P102	C440	102P
1CCS8X103	C441	103P
1CCS6P068	C442	68P
1CTSBA106	C443	10uF
1CTSBA106	C444	10uF
1CTSBA106	C445	10uF
1CCS6P101	C446	100P
1CTSBA475	C447	4.7uF
1CTSBA475	C448	4.7uF
1CTSBA106	C449	10uF
1CCS6P101	C450	100P
1CTSBA106	C451	10uF
1CTSBA475	C452	4.7uF
1CTSAA226	C453	22uF
1CTSBA475	C454	4.7uF
1CTSBA475	C455	4.7uF
1CCS6X223	C457	223P
1CCS6P471	C458	470P
1CCS6P471	C459	470P
1CTSCA225	C460	2.2uF/25V
1CTSDA474	C461	0.47uF
1CTSCA225	C462	2.2uF/25V
1CENEA107	C463	100uF/50V
1CCS6X473	C464	473P

## PART LIST

CIRCUIT : 1PR183B1

COMPUCTOR NO.	REFETENCE	VALUE
1CCS6P471	C465	470P
1CCS6P471	C466	470P
C467	C467	C467
1CCS6P033	C468	33P
1CTSCA225	C469	2.2uF/25V
1CCS6X102	C470	102P
1CENEA107	C471	100uF/50V
C472	C472	C472
C473	C473	C473
C474	C474	C474
C475	C475	C475
1CCS6P015	C477	15P
1CCS6X102	C479	102P
1CCS6X102	C480	102P
1CTSCA225	C481	2.2uF/25V
1CCS6X104	C482	104P
1CCS6X104	C483	104P
1CCS6X102	C484	102P
C485	C485	C485
1CCS6X102	C486	102P
C487	C487	C487
C488	C488	C488
C489	C489	C489
1CCS6P015	C491	15P
1CCS6X102	C493	102P
C494	C494	C494
C495	C495	C495
C496	C496	C496
C497	C497	C497
1CCS6X102	C498	102P
1CCS6P015	C500	15P
1CCS6P471	C502	470P
1CCS6P471	C503	470P
1CCS6P471	C504	470P
1CCS6P471	C505	470P
1CCS6P471	C506	470P
1CCS6P008	C507	8P
1CCS6X223	C508	223P
1CCS6X223	C509	223P
1CTSCA225	C510	2.2uF/25V
1CCS6X104	C511	104P
1CCS6X104	C512	104P
1CCS6P331	C513	330P
1CCS6P471	C514	470P

ACT747P01A

COMPUCTOR NO.	REFETENCE	VALUE
1CCS6P015	C516	15P
1CCS6X102	C518	102P
1CTSCA225	C519	2.2uF/25V
1CCS6P471	C520	470P
1CCS6P471	C521	470P
1CCS6P008	C522	8P
C523	C523	C523
1CCS6P471	C524	470P
1CCS6P471	C525	470P
1CCS6P008	C526	8P
1CCS6X223	C527	223P
1CCS6P471	C528	470P
1CTSBA106	C529	10uF
1CCS8Y104	C530	104P
1CTSBA475	C531	4.7uF
1CTSBA475	C532	4.7uF
1CCSCX475	C533	4.7uF/50V
1CCSCX475	C534	4.7uF/50V
1CTSDA474	C536	0.47uF
1CENDA227	C537	220uF/35V
C538	C538	4.7uF
1CTSDC475	C539	4.7uF
1CTSDC475	C540	4.7uF
1CCS6X472	C541	472P
1CTSDA104	C543	0.1uF
1CTSBA475	C544	4.7uF
C545	C545	C545
C546	C546	C546
1CTSBA475	C549	4.7uF
1CTSBA475	C551	4.7uF
1CCS6P033	C555	33P
1CCS6P033	C556	33P
1CCS6P002	C557	2P
1CCS6P039	C558	39P
1CCS6X104	C559	104P
1CCS6X223	C560	223P
1CCS6X223	C561	223P
1CCS6X223	C562	223P
1CCS6X223	C563	223P
1CCS6X223	C564	223P
1FNC0007	F1	1FNC0007
1FSC0005	F2	1FSC0005
1FSC0005	F3	1FSC0005

## PART LIST

CIRCUIT : 1PR183B1

COMPUCTOR NO.	REFETENCE	VALUE
1FNC0006	F4	1FNC0006
1FNC0005	F5	1FNC0005
1FNC0005	F6	1FNC0005
1FNC0007	F7	1FNC0007
1FNC0006	F8	1FNC0006
1FSC0005	F9	1FSC0005
1FNC0006	F10	1FNC0006
1FSC0005	F11	1FSC0005
1FNC0005	F12	1FNC0005
1FNC0006	F13	1FNC0006
1FNC0005	F14	1FNC0005
1MPR0002	J1	1MPR0002
1MPR0002	J2	1MPR0002
1SFHB05B	J3	1SFHB05B
1SFHB10A	J4	1SFHB10A
1SFNE10F	J5	1SFNE10F
1MPR0002	J6	1MPR0002
1MPR0002	J7	1MPR0002
1SFHB05B	J8	1SFHB05B
1SFNE10F	J9	1SFNE10F
1SFHB02A	J10	1SFHB02A
1SFHB02A	J11	1SFHB02A
1SFHH08A	J12	1SFHH08A
1SFHB10A	J15	1SFHB10A
1SFHB02B	J18	1SFHB02B
1SFHB02B	J19	1SFHB02B
1LRS5226	L1	1LRS5226
1LCSL684	L2	1LCSL684
1LLS8104	L3	1LLS8104
1LLS8104	L4	1LLS8104
1LLS8333	L5	1LLS8333
1LLS6224	L6	1LLS6224
1LLS8224	L8	1LLS8224
1LLS8104	L10	1LLS8104
L11	L11	L11
L12	L12	L12
L13	L13	L13
1LLS8224	L14	1LLS8224
1LLS8333	L15	1LLS8333
1LLS8224	L16	1LLS8224
1LLSA225	L17	1LLSA225
1LCNP676	L18	1LCNP676

ACT747P01A

COMPUCTOR NO.	REFETENCE	VALUE
1LCNP097	L19	1LCNP097
1LLSA105	L20	1LLSA105
1LCSR566	L21	1LCSR566
1LCSL684	L22	1LCSL684
1LLS6224	L23	1LLS6224
1LLS8333	L25	1LLS8333
1LLS6224	L26	1LLS6224
1LLS8224	L28	1LLS8224
1LLS8224	L29	1LLS8224
1LLS6224	L30	1LLS6224
1LLSA104	L31	1LLSA104
1LLS6274	L34	1LLS6274
1LCNP097	L36	1LCNP097
1LLS6224	L37	1LLS6224
1LCNP097	L38	1LCNP097
1LLSA104	L39	1LLSA104
1LLSA104	L40	1LLSA104
1LLS8104	L41	1LLS8104
1LLSA105	L44	1LLSA105
1LCSR566	L45	1LCSR566
1LLS8333	L46	1LLS8333
1LLS8104	L47	1LLS8104
1LLS8224	L48	1LLS8224
L49	L49	L49
L50	L50	L50
L51	L51	L51
L52	L52	L52
1LLSA104	L53	1LLSA104
L54	L54	L54
1LCNP676	L55	1LCNP676
1LCNP097	L56	1LCNP097
1LLSA105	L57	1LLSA105
1LCSR566	L58	1LCSR566
1LLS8333	L61	1LLS8333
1LLS8224	L62	1LLS8224
1LLS8104	L63	1LLS8104
L64	L64	L64
L65	L65	L65
L66	L66	L66
L67	L67	L67
L68	L68	L68
L69	L69	L69
1LLS6224	L70	1LLS6224
L71	L71	L71

## PART LIST

CIRCUIT : 1PR183B1

COMPUCTOR NO.	REFETENCE	VALUE
1LLS6274	L72	1LLS6274
1LLSA225	L73	1LLSA225
1LLS8333	L75	1LLS8333
1LLS6224	L76	1LLS6224
1LLS6224	L77	1LLS6224
1LLS6224	L78	1LLS6224
1LLS8224	L79	1LLS8224
1LLS8224	L80	1LLS8224
L82	L82	L82
1LLS6104	L83	1LLS6104
1LLS6104	L84	1LLS6104
1LLS8224	L85	1LLS8224
L87	L87	L87
L88	L88	L88
L89	L89	L89
L90	L90	L90
L91	L91	L91
L93	L93	L93
L94	L94	L94
L95	L95	L95
L96	L96	L96
L97	L97	L97
1LLS8224	L99	1LLS8224
1LLS8224	L100	1LLS8224
1LLS6274	L101	1LLS6274
1LLS6104	L102	1LLS6104
1LLS6104	L103	1LLS6104
1LLS6224	L104	1LLS6224
1LLS8224	L106	1LLS8224
1LLS8224	L108	1LLS8224
L109	L109	L109
L110	L110	L110
L111	L111	L111
L112	L112	L112
1LLS6274	L113	1LLS6274
1LLS6224	L114	1LLS6224
1LLSA105	L115	1LLSA105
1LCSR566	L116	1LCSR566
1LLS6224	L117	1LLS6224
1LRS5226	L118	1LRS5226
1TS0520X	Q1	1TS0520X
1TS00508	Q2	1TS00508
1TS0520X	Q3	1TS0520X

ACT747P01A

COMPUCTOR NO.	REFETENCE	VALUE
1TS04097	Q4	1TS04097
1TS0520X	Q5	1TS0520X
1TS0520X	Q6	1TS0520X
1TS00508	Q7	1TS00508
1TS01577	Q8	1TS01577
1TS01577	Q9	1TS01577
1TS03082	Q10	1TS03082
1TS04097	Q11	1TS04097
1TS01577	Q12	1TS01577
1TS04097	Q13	1TS04097
1TS00508	Q14	1TS00508
1TS00508	Q15	1TS00508
1TS0520X	Q16	1TS0520X
1TS01577	Q17	1TS01577
1TS04097	Q18	1TS04097
1TS0520X	Q19	1TS0520X
1TS0520X	Q20	1TS0520X
1TS0520X	Q21	1TS0520X
1TS03082	Q22	1TS03082
1RS6A103	R1	10K
1RS6A332	R2	3.3K
1RS6A103	R3	10K
1RS6A010	R4	10
1RS6A123	R5	12K
1RS6A153	R6	15K
1RS6A682	R7	6.8K
1RS6A103	R8	10K
1RS6A101	R9	100
1RS6A101	R10	100
1RS6A103	R11	10K
1RS6A103	R12	10K
1RS6A332	R13	3.3K
1RS6A332	R14	3.3K
1RS6A010	R15	10
1RS6A056	R16	56
1RS6A101	R17	100
1RS6A101	R18	100
1RS6A103	R19	10K
1RS6A103	R20	10K
1RS6A103	R21	10K
1RS6A101	R22	100
1RS6A223	R23	22K
1RS6A101	R25	100

## PART LIST

CIRCUIT : 1PR183B1

COMPUCTOR NO.	REFETENCE	VALUE
1RS6A102	R26	1K
1RS6A473	R27	47K
1RS6A056	R28	56
1RS6A047	R29	47
1RS6A010	R30	10
1RS6A102	R31	1K
1RS6A056	R32	56
1RS6A471	R33	470
1RS6A272	R34	2.7K
1RS6A047	R35	47
1RS6A047	R36	47
1RS6A221	R37	220
1RS6A047	R38	47
1RS6A223	R39	22K
1RS6A332	R40	3.3K
1RS6A222	R41	2.2K
1RS6A303	R42	30K
1RS6A682	R43	6.8K
1RS6A101	R44	100
1RS6A103	R45	10K
1RS6A222	R46	2.2K
1RS6A101	R47	100
1RS6A102	R48	1K
1RS6A561	R49	560
1RS6A153	R50	15K
1RS6A103	R51	10K
1RS6A102	R52	1K
1RS6A103	R53	10K
1RS6A333	R54	33K
1RS6A101	R55	100
1RS6A101	R56	100
1RS6A101	R57	100
1RS6A473	R58	47K
1RS6A244	R59	240K
1RS6A473	R60	47K
1RS6A473	R61	47K
1RS6A563	R62	56K
1RS6A473	R63	47K
1RS6A103	R64	10K
1RS6A101	R65	100
1RS6A183	R66	18K
1RS6A010	R67	10
1RS6A563	R68	56K
1RS6A103	R69	10K

ACT747P01A

COMPUCTOR NO.	REFETENCE	VALUE
1RS6A221	R70	220
1RS6A102	R71	1K
1RS6A332	R72	3.3K
1RS6A332	R73	3.3K
1RS6A047	R74	47
1RS6A101	R75	100
1RS6A472	R76	4.7K
1RS6A047	R77	47
1RS6A105	R79	1M
1RS6A105	R80	1M
1RS6A105	R81	1M
1RS6A562	R82	5.6K
1RS6A105	R83	1M
1RS6A105	R84	1M
1RS6A682	R85	6.8K
1RS6A047	R86	47
1RS6A104	R87	100K
1RS6A102	R88	1K
1RS6A124	R89	120K
1RS6A473	R90	47K
1RS6A103	R91	10K
1RS6A622	R92	6.2K
1RS6A303	R93	30K
1RS6A103	R94	10K
1RS6A104	R95	100K
1RS6A047	R96	47
1RS6A124	R97	120K
1RS6A102	R98	1K
1RS6A103	R99	10K
1RS6A473	R100	47K
1RS6A622	R101	6.2K
1RS6A303	R102	30K
1RS6A103	R103	10K
1RS6A047	R104	47
1RS6A103	R105	10K
1RS6A103	R106	10K
1RS6A104	R107	100K
1RS6A104	R108	100K
1RS6A104	R109	100K
1RS6A104	R110	100K
1RNHB502	R111	MCT5K
1RS6A473	R112	47K
1RS6A512	R113	5.1K
1RS6A182	R114	1.8K

## PART LIST

CIRCUIT : 1PR183B1

COMPUCTOR NO.	REFETENCE	VALUE
1RS6A683	R115	68K
1RS6A104	R116	100K
1RS6A124	R117	120K
1RS6A224	R118	220K
1RS6A393	R119	39K
1RS6A474	R120	470K
1RS6A133	R121	13K
1RS6A473	R122	47K
1RS6A332	R123	3.3K
1RS6A000	R124	0
1RS6A332	R125	3.3K
1RS6A332	R126	3.3K
1RS6A102	R127	1K
1RS6A332	R128	3.3K
1RS6A105	R129	1M
1RS6A010	R130	10
1RS6A822	R131	8.2K
1RS6A103	R132	10K
1RS6A103	R133	10K
1RS6A822	R134	8.2K
1RS6A010	R135	10
1RS6A563	R136	56K
1RS6A047	R137	47
1RS6A822	R138	8.2K
1RS6A822	R139	8.2K
1RS6A563	R140	56K
1RS6A473	R141	47K
1RS6A123	R142	12K
1RS6A104	R143	100K
1RS6A104	R144	100K
1RS6A124	R145	120K
1RS6A473	R146	47K
1RS6A822	R147	8.2K
1RS6D143	R148	14.3K
1RS6A103	R149	10K
1RS6A103	R150	10K
1RS6A273	R151	27K
1RS6A102	R152	1K
1RS6A224	R153	220K
1RS6A104	R154	100K
1RS6A273	R155	27K
1RS6A682	R156	6.8K
1RS6A106	R157	10M
1RS6A101	R158	100

ACT747P01A

COMPUCTOR NO.	REFETENCE	VALUE
1RS6A101	R159	100
1RS6A103	R160	10K
1RS6M203	R161	20K-M
1RS6M473	R162	47K-M
1RS6A332	R163	3.3K
1RS6A000	R164	0
1RS6A332	R165	3.3K
1RS6A332	R166	3.3K
1RS6A103	R167	10K
1RS6A473	R168	47K
1RS6D122	R169	1.24K
1RS6D243	R170	24K-1%
1RS6A153	R171	15K
1RS6A047	R172	47
1RS6A010	R173	10
1RS6A103	R174	10K
1RS6A332	R175	3.3K
1RS6A103	R176	10K
1RS6A332	R177	3.3K
1RS6A103	R178	10K
1RS6A682	R179	6.8K
1RS6A103	R180	10K
1RS6A471	R181	470
1RS6A101	R182	100
1RS6A103	R183	10K
1RS6A103	R184	10K
1RS6A010	R185	10
1RS6A103	R186	10K
1RS6A332	R187	3.3K
1RS6A101	R188	100
1RS6A101	R189	100
1RS6A332	R190	3.3K
1RS6A103	R191	10K
1RS6A103	R192	10K
1RS6A103	R193	10K
1RS6A101	R194	100
1RS6A223	R195	22K
1RS6A101	R197	100
1RS6A102	R198	1K
1RS6A473	R199	47K
1RS6A056	R200	56
1RS6A047	R201	47
1RS6A010	R202	10
1RS6A102	R203	1K

## PART LIST

CIRCUIT : 1PR183B1

COMPUCTOR NO.	REFETENCE	VALUE
1RS6A056	R204	56
1RS6A471	R205	470
1RS6A272	R206	2.7K
1RS6A047	R207	47
1RS6A047	R208	47
1RS6A221	R209	220
1RS6A047	R210	47
1RS6A223	R211	22K
1RS6A103	R212	10K
1RS6A221	R213	220
1RS6A332	R214	3.3K
1RS6A101	R215	100
1RS6A056	R216	56
1RS6A471	R217	470
1RS6A471	R218	470
1RS6A101	R219	100
1RS6A047	R220	47
1RS6A682	R221	6.8K
1RS6A471	R222	470
1RS6A222	R223	2.2K
1RS6A101	R224	100
1RS6A682	R225	6.8K
1RS6A303	R226	30K
1RS6A561	R227	560
1RS6A103	R228	10K
1RS6A102	R229	1K
1RS6A103	R230	10K
1RS6A333	R231	33K
1RS6A101	R232	100
1RS6A101	R233	100
1RS6A101	R234	100
1RS6A473	R235	47K
1RS6A244	R236	240K
1RS6A473	R237	47K
1RS6A101	R238	100
1RS6A101	R239	100
1RS6A101	R240	100
1RS6A103	R241	10K
1RS6A101	R242	100
1RS6A471	R243	470
1RS6A222	R244	2.2K
1RS6A047	R245	47
1RS6A101	R246	100
1RS6A562	R247	5.6K

ACT747P01A

COMPUCTOR NO.	REFETENCE	VALUE
1RS6A222	R248	2.2K
1RS6A101	R249	100
1RS6A221	R250	220
1RS6A047	R251	47
1RS6A104	R252	100K
1RS6A272	R253	2.7K
1RS6A047	R254	47
1RS6A047	R255	47
1RS6A682	R256	6.8K
1RS6A471	R257	470
1RS6A056	R258	56
1RS6A153	R259	15K
1RS6A123	R260	12K
1RS6A272	R261	2.7K
1RS6A682	R262	6.8K
1RS6A047	R263	47
1RS6A104	R264	100K
1RS6A102	R265	1K
1RS6A124	R266	120K
1RS6A473	R267	47K
1RS6A103	R268	10K
1RS6A622	R269	6.2K
1RS6A303	R270	30K
1RS6A103	R271	10K
1RS6A104	R272	100K
1RS6A047	R273	47
1RS6A124	R274	120K
1RS6A102	R275	1K
1RS6A103	R276	10K
1RS6A473	R277	47K
1RS6A622	R278	6.2K
1RS6A303	R279	30K
1RS6A103	R280	10K
1RS6A047	R281	47
1RS6A103	R282	10K
1RS6A103	R283	10K
1RS6A104	R284	100K
1RS6A104	R285	100K
1RS6A104	R286	100K
1RS6A104	R287	100K
1RNHB502	R288	MCT5K
1RS6A512	R290	5.1K
1RS6A182	R291	1.8K
1RS6A683	R292	68K



## PART LIST

CIRCUIT : 1PR183B1

COMPUCTOR NO.	REFETENCE	VALUE
1RS6A104	R293	100K
1RS6A124	R294	120K
1RS6A224	R295	220K
1RS6A393	R296	39K
1RS6A474	R297	470K
1RS6A133	R298	13K
1RS6A473	R299	47K
1RS6A332	R300	3.3K
1RS6A000	R301	0
1RS6A332	R302	3.3K
1RS6A332	R303	3.3K
1RS6A102	R304	1K
1RS6A332	R305	3.3K
1RS6A010	R306	10
1RS6A822	R307	8.2K
1RS6A103	R308	10K
1RS6A103	R309	10K
1RS6A822	R310	8.2K
1RS6A010	R311	10
1RS6A563	R312	56K
1RS6A047	R313	47
1RS6A822	R314	8.2K
1RS6A822	R315	8.2K
1RS6A563	R316	56K
1RS6A473	R317	47K
1RS6A123	R318	12K
1RS6A104	R319	100K
1RS6A822	R320	8.2K
1RS6D143	R321	14.3K
1RS6A103	R322	10K
1RS6A103	R323	10K
1RS6A273	R324	27K
1RS6A102	R325	1K
1RS6A224	R326	220K
1RS6A104	R327	100K
1RS6A273	R328	27K
1RS6A682	R329	6.8K
1RS6A106	R330	10M
1RS6A103	R331	10K
1RS6M203	R332	20K-M
1RS6M473	R333	47K-M
1RS6A332	R334	3.3K
1RS6A000	R335	0
1RS6A103	R336	10K

ACT747P01A

COMPUCTOR NO.	REFETENCE	VALUE
1RS6A183	R337	18K
1RS6A153	R338	15K
1RS6A047	R339	47
1RS6A010	R340	10
1RS6A562	R341	5.6K
1RS6A473	R342	47K
1RS6A153	R343	15K
1RS6A103	R344	10K
1RS6A332	R345	3.3K
1RS6A102	R346	1K
1RS6A101	R347	100
1RS6A047	R348	47
1RS6A056	R349	56
1RS6A272	R350	2.7K
1RS6A471	R351	470
1RS6A103	R352	10K
1RS6A101	R353	100
1RS6A563	R354	56K
1RS6A473	R355	47K
1RS6A563	R356	56K
1RS6D243	R357	24K-1%
1RS6A105	R358	1M
1RS6A563	R359	56K
1RS6A473	R360	47K
1RS6A333	R361	33K
1RS6A105	R362	1M
1RS6A563	R363	56K
1RS6A104	R364	100K
1RS6A102	R366	1K
1RS6A102	R367	1K
1RS6A101	R368	100
1RS6A101	R369	100
1RS6A101	R370	100
1RS6A473	R371	47K
1RS6D243	R372	24K-1%
1RS6A105	R373	1M
1RS6A563	R374	56K
1RS6A473	R375	47K
1RS6A333	R376	33K
1RS6A105	R377	1M
1RS6A563	R378	56K
1RS6A101	R379	100
1RS6A682	R380	6.8K
1RS6A124	R381	120K

## PART LIST

CIRCUIT : 1PR183B1

COMPUCTOR NO.	REFETENCE	VALUE
1RS6A332	R382	3.3K
1RS6A124	R383	120K
1RS6A682	R384	6.8K
1RS6A104	R385	100K
1RS6A124	R386	120K
1RS6A473	R387	47K
1RS6A473	R388	47K
1RS6A222	R389	2.2K
1RS6A472	R390	4.7K
1RS6A105	R392	1M
1RS6A105	R393	1M
1RS6A105	R394	1M
1RS6A562	R395	5.6K
1RS6A105	R396	1M
1RS6A105	R397	1M
1RS6A473	R398	47K
1RS6A103	R399	10K
1RS6A471	R400	470
1RS6A047	R401	47
1RS6A682	R402	6.8K
1RS6A222	R403	2.2K
1RS6A222	R404	2.2K
1RS6A221	R405	220
1RS6A272	R406	2.7K
1RS6A047	R407	47
1RS6A047	R408	47
1RS6A682	R409	6.8K
1RS6A152	R410	1.5K
1RS6A152	R411	1.5K
1RS6A102	R412	1K
1RS6A102	R413	1K
1RS6A102	R414	1K
1RS6A101	R415	100
1RS6A123	R416	12K
1RS6A153	R417	15K
1RS6A056	R418	56
1RS6A332	R419	3.3K
1RS6A102	R420	1K
1RS6A103	R421	10K
1RS6A103	R422	10K
1RS6A332	R423	3.3K
1RS6A056	R424	56
1RS6A471	R425	470
1RS6A103	R426	10K

ACT747P01A

COMPUCTOR NO.	REFETENCE	VALUE
1RS6A332	R427	3.3K
1RS6A102	R428	1K
1RS6A102	R429	1K
1RS6A273	R430	27K
1RS6A183	R431	18K
1RS6A103	R432	10K
1RS6A103	R433	10K
1RS6A056	R434	56
1RS6A471	R435	470
1RS6A103	R436	10K
1RS6A103	R437	10K
1RS6A103	R438	10K
1RS6A102	R439	1K
1RS6A183	R440	18K
1RS6A056	R441	56
1RS6A153	R442	15K
1RS6A123	R443	12K
1RS6A101	R444	100
1RS6A101	R445	100
1RS6A102	R446	1K
1RS6A273	R447	27K
1RS6A101	R448	100
1RS6A102	R449	1K
1RS6A221	R450	220
1RS6A221	R451	220
1FSC0019	SF1	1FSC0019
1FSC0019	SF2	1FSC0019
1FSC0019	SF3	1FSC0019
1FSC0019	SF4	1FSC0019
1UBS0002	T1	1UBS0002
1UBS0001	T2	1UBS0001
1UBS0001	T3	1UBS0001
1UBS0001	T4	1UBS0001
1UBS0001	T5	1UBS0001
1UBS0001	T6	1UBS0001
1UBS0001	T7	1UBS0001
1UBS0001	T8	1UBS0001
1UBS0001	T9	1UBS0001
1UBS0002	T10	1UBS0002
1TS00520	U1	1TS00520
1IS00636	U2	1IS00636

## PART LIST

CIRCUIT : 1PR183B1

COMPUCTOR NO.	REFETENCE	VALUE
1TS00520	U3	1TS00520
1IS00636	U4	1IS00636
1IS00284	U5	1IS00284
1IS1503S	U6	1IS1503S
1IR18F45	U7	1IR18F45
1IS75176	U8	1IS75176
1IS072BM	U9	1IS072BM
1IS02068	U10	1IS02068
1IS02068	U11	1IS02068
1IS0572N	U12	1IS0572N
1IS02068	U13	1IS02068
1IS02068	U14	1IS02068
1IS04066	U15	1IS04066
1IS02068	U16	1IS02068
1IS02068	U17	1IS02068
1IS02068	U18	1IS02068
1IS02068	U19	1IS02068
1IS53543	U20	1IS53543
1IS00636	U21	1IS00636
1TS00520	U22	1TS00520
1IS00636	U23	1IS00636
1IS27313	U24	1IS27313
1IS1503S	U25	1IS1503S
1IR18F45	U26	1IR18F45
1IS75176	U27	1IS75176
1IS072BM	U28	1IS072BM
1IS02068	U29	1IS02068
1IS02068	U30	1IS02068
1IS02068	U31	1IS02068
1IS02068	U32	1IS02068
1IS04066	U33	1IS04066
1IS02068	U34	1IS02068
1IS02068	U35	1IS02068
1IS02068	U36	1IS02068
1IS02068	U37	1IS02068
1IS04725	U38	1IS04725
1IS02903	U39	1IS02903
1IN07551	U40	1IN07551
1IS02903	U41	1IS02903
1IN07551	U42	1IN07551
1IS00284	U43	1IS00284
1IS53543	U44	1IS53543
1IS53543	U45	1IS53543
1IS53543	U46	1IS53543

ACT747P01A

COMPUCTOR NO.	REFETENCE	VALUE
1IS04725	U47	1IS04725
1TS00520	U48	1TS00520
1CVSTC010	VC1	1CVSTC010
1CVS3U300	VC2	1CVS3U300
1CVS3U300	VC3	1CVS3U300
1CVSTC010	VC4	1CVSTC010
1CVSTC003	VC5	1CVSTC003
1CVSTC003	VC6	1CVSTC003
1CVSTC003	VC7	1CVSTC003
1CVSTC003	VC8	1CVSTC003
1CVSTC003	VC9	1CVSTC003
1CVSTC003	VC10	1CVSTC003
1CVSTC003	VC11	1CVSTC003
1CVSTC003	VC12	1CVSTC003
1CVSTC003	VC13	1CVSTC003
1CVSTC003	VC14	1CVSTC003
1CVSTC003	VC15	1CVSTC003
1CVSTC003	VC16	1CVSTC003
1RNVA502	VR1	1RNVA502
1RNVA502	VR2	1RNVA502
1RNVA502	VR3	1RNVA502
1RNVA502	VR4	1RNVA502
1KP60300	X1	1KP60300
1KS4M000	X2	1KS4M000
1KM36864	X3	1KM36864
1KM32768	X4	1KM32768
1KP60300	X5	1KP60300
1KS4M000	X6	1KS4M000
1KM36864	X7	1KM36864
1KM32768	X8	1KM32768
1DVS0278	Z1	1DVS0278
1DDS0204	Z2	1DDS0204
1DDS0068	Z3	1DDS0068
1DDS4148	Z4	1DDS4148
1DDS0204	Z5	1DDS0204
1DDS0451	Z6	1DDS0451
1DCSU051	Z7	1DCSU051
1DDS0204	Z8	1DDS0204
1DDS0204	Z9	1DDS0204
1DDS0204	Z10	1DDS0204

**PART LIST**

CIRCUIT : 1PR183B1

ACT747P01A

COMPUCTOR NO.	REFETENCE	VALUE
1DVS0706	Z11	1DVS0706
1DVS0278	Z12	1DVS0278
1DVS0706	Z13	1DVS0706
1DDS0068	Z14	1DDS0068
1DCSU051	Z15	1DCSU051
1DVS0280	Z16	1DVS0280
1DDS0451	Z17	1DDS0451
1DDS0204	Z18	1DDS0204
1DES0120	Z19	1DES0120
1DVS0280	Z20	1DVS0280
1DVS0280	Z21	1DVS0280
1DVS0280	Z22	1DVS0280
1DVS0280	Z23	1DVS0280
1DVS0280	Z24	1DVS0280
1DVS0280	Z25	1DVS0280
1DVS0280	Z26	1DVS0280
1DVS0280	Z27	1DVS0280
1DVS0280	Z28	1DVS0280
1DVS0280	Z29	1DVS0280
1DVS0280	Z30	1DVS0280
1DVS0280	Z31	1DVS0280
1DVS0280	Z32	1DVS0280
1DVS0280	Z33	1DVS0280
1DVS0280	Z34	1DVS0280
1DVS0280	Z35	1DVS0280
1DVS0280	Z36	1DVS0280
1DVS0280	Z37	1DVS0280
1DVS0280	Z38	1DVS0280
1DVS0280	Z39	1DVS0280
1DVS0280	Z40	1DVS0280
1DVS0280	Z41	1DVS0280
1DVS0280	Z42	1DVS0280

## PART LIST

CIRCUIT : 1PR184E1

COMPUCTOR NO.	REFETENCE	VALUE
1CENAA478	C1	4700uF/10V
1CCS6P003	C2	3P
1CCS8Y104	C3	104P
1CCS8Y104	C4	104P
1CCS8Y104	C5	104P
1CCS8Y104	C6	104P
1CCS8Y104	C7	104P
1CCS6P101	C8	100P
1CCS6P101	C9	100P
1CCS6P101	C10	100P
1CCS6P101	C11	100P
1CTSBA106	C12	10uF
1CTSAA226	C13	22uF
1CENCA228	C14	2200uF/25V
1CCS8Y104	C15	104P
1CCS8Y104	C16	104P
1CCS8Y104	C17	104P
1CCS6X103	C18	103P
1CCS6P003	C19	3P
1CTSAA226	C20	22uF
1CTSAA226	C21	22uF
1CCS6P003	C22	3P
1CTSBA106	C23	10uF
1CTSBA106	C24	10uF
1CTSBA106	C25	10uF
1CTSBA106	C26	10uF
1CTSBA106	C27	10uF
1CTSBA106	C28	10uF
1CTSBA106	C29	10uF
1CTSBA106	C30	10uF
1CTSBA106	C31	10uF
1CTSBA106	C32	10uF
1CENCA227	C33	220uF/25V
1CENCA227	C34	220uF/25V
1CCS6P003	C35	3P
1CCS6P101	C36	100P
1CCS6P101	C37	100P

ACT747P01A

COMPUCTOR NO.	REFETENCE	VALUE
1CCS6P101	C38	100P
1CCS6P101	C39	100P
1CCS6P003	C40	3P
C41	C41	C41
C42	C42	C42
C43	C43	C43
C44	C44	C44
1CCS6X103	C45	103P
1CCS6X103	C46	103P
1CCS6X103	C47	103P
1CCS6X103	C48	103P
1CCS6P471	C49	470P
1CCS6P471	C50	470P
1CCS6P471	C51	470P
1CCS6P471	C52	470P
1CCS6P471	C53	470P
1CCS6P471	C54	470P
1CCS6P471	C55	470P
1CCS6P471	C56	470P
1CCS6P471	C57	470P
1CCS6P471	C58	470P
1CCS6P471	C59	470P
1CCS6P471	C60	470P
1CCS6P471	C61	470P
1CCS6P471	C62	470P
1CENCA228	C63	2200uF/25V
1CCS6X104	C64	104P
1CCS6P471	C65	470P
1CCS6P471	C66	470P
1CEMBA107	C69	100uF/16V
1CCS6X104	C72	104P
1CCS6P471	C77	470P
1CCS6P471	C78	470P
1CCS6P471	C79	470P
1CCS6P471	C80	470P
1CCS6X104	C81	104P
1CCS6X104	C82	104P

## PART LIST

CIRCUIT : 1PR184E1

COMPUCTOR NO.	REFETENCE	VALUE
1CENEA107	C83	100uF/50V
1CENEA107	C84	100uF/50V
1CENEA107	C85	100uF/50V
1CENEA107	C86	100uF/50V
1CENEA107	C87	100uF/50V
1CENEA107	C88	100uF/50V
1CENEA107	C89	100uF/50V
1CENEA107	C90	100uF/50V
1CCS6P101	C91	100P
1CCS6P101	C92	100P
1CCS6P101	C93	100P
1CCS6P101	C94	100P
1CCS6P003	C95	3P
1CCS6P003	C96	3P
1CTSAA226	C97	22uF
1CTSBA106	C98	10uF
1CCS6P101	C99	100P
1CTSAA226	C100	22uF
1CTSAA226	C101	22uF
1CTSBA106	C102	10uF
1CTSBA106	C103	10uF
1CCS6P101	C104	100P
1CTSBA106	C105	10uF
1CTSAA226	C106	22uF
1CENEA107	C107	100uF/50V
1CCS6P101	C108	100P
1CENEA107	C109	100uF/50V
1CCS6P101	C110	100P
1CCS6X103	C111	103P
1CCS6X103	C112	103P
1CCS6P003	C113	3P
1CCS6P003	C114	3P
1CCS6P003	C115	3P
1CCS6P003	C116	3P
1CCS6P003	C117	3P
1CCS6P003	C118	3P
1CCS6P003	C119	3P

ACT747P01A

COMPUCTOR NO.	REFETENCE	VALUE
1CCS6P003	C120	3P
1CCS6P003	C121	3P
1CCS6P003	C122	3P
1CCS6P003	C123	3P
1CCS6P003	C124	3P
1CCS6P003	C125	3P
1CCS6P003	C126	3P
1CCS6P003	C127	3P
1CCS6P003	C128	3P
1CCS6P003	C129	3P
1FNC0012~20	FL1	FL1
1FNC0012~20	FL3	FL3
1MFA0006	FU3	RXE025
1MFA0006	FU4	RXE025
1MPC0007	J1	1MPC0007
1MPC0007	J2	1MPC0007
1MPC0007	J3	1MPC0007
1MPR0002	J4	1MPR0002
1MPR0002	J5	1MPR0002
1MPR0002	J6	1MPR0002
1MPR0002	J7	1MPR0002
1MPR0002	J8	1MPR0002
1MPR0002	J9	1MPR0002
1MPR0002	J10	1MPR0002
1MPR0002	J11	1MPR0002
1MPT0001	J12	1MPT0001
1MPT0001	J13	1MPT0001
1MPC0007	J14	1MPC0007
1MPC0007	J15	1MPC0007
1LLNA607	L1	1LLNA607
1LLS6153	L2	1LLS6153
1FSC0002	L3	1FSC0002
1LLS6153	L4	1LLS6153

## PART LIST

CIRCUIT : 1PR184E1

COMPUCTOR NO.	REFETENCE	VALUE
1FSC0002	L5	1FSC0002
1FSC0002	L6	1FSC0002
1FSC0002	L7	1FSC0002
1FSC0002	L8	1FSC0002
1FSC0002	L9	1FSC0002
1FSC0002	L10	1FSC0002
1FSC0002	L11	1FSC0002
1FSC0002	L12	1FSC0002
1FSC0002	L13	1FSC0002
1FSC0002	L14	1FSC0002
1FSC0002	L15	1FSC0002
1FSC0002	L16	1FSC0002
1FSC0002	L17	1FSC0002
1FSC0002	L18	1FSC0002
1FSC0002	L19	1FSC0002
1FSC0002	L20	1FSC0002
1FSC0002	L21	1FSC0002
1FSC0002	L22	1FSC0002
1FSC0002	L23	1FSC0002
1FSC0002	L24	1FSC0002
1FSC0002	L25	1FSC0002
1LCSR102	L26	1LCSR102
1LCSR102	L27	1LCSR102
1LLSA105	L28	1LLSA105
1LLSA105	L29	1LLSA105
1LLSA105	L30	1LLSA105
1LLSA105	L31	1LLSA105
1LLS8224	L32	1LLS8224
1FSC0002	L33	1FSC0002
1LLS8224	L34	1LLS8224
1LLS6153	L35	1LLS6153
1LLS6153	L36	1LLS6153
1LLS6153	L37	1LLS6153
1LLS6153	L38	1LLS6153
1LLS6153	L39	1LLS6153
1LLS6153	L40	1LLS6153
1LLS6153	L41	1LLS6153

ACT747P01A

COMPUCTOR NO.	REFETENCE	VALUE
1FSC0002	L42	1FSC0002
1LLS6153	L43	1LLS6153
1LLS6153	L44	1LLS6153
1LLS6153	L45	1LLS6153
1FSC0002	L46	1FSC0002
1FSC0002	L47	1FSC0002
1FSC0002	L48	1FSC0002
1FSC0002	L49	1FSC0002
1FSC0002	L50	1FSC0002
1FSC0002	L51	1FSC0002
1FSC0002	L52	1FSC0002
1SFHB06A	P1	1SFHB06A
1SFHB03A	P2	1SFHB03A
1SFHB02A	P3	1SFHB02A
1SFHB02A	P4	1SFHB02A
1SFHB02A	P5	1SFHB02A
1SFHB02A	P6	1SFHB02A
1SFHB02A	P7	1SFHB02A
1SFHB06A	P8	1SFHB06A
1SFHB10A	P9	1SFHB10A
1SFRJ112	P10	1SFRJ112
1SFHB10A	P11	1SFHB10A
1SFHB10A	P12	1SFHB10A
1SFHB10A	P13	1SFHB10A
1SFHB02A	P14	1SFHB02A
1TS05K1N	Q1	1TS05K1N
1TS05K1N	Q2	1TS05K1N
1TS05K1N	Q3	1TS05K1N
1TS05K1N	Q4	1TS05K1N
1TS05K1N	Q5	1TS05K1N
1TS05K1N	Q6	1TS05K1N
1TS05K1N	Q7	1TS05K1N
1TS05K1N	Q8	1TS05K1N
1TS05K1N	Q9	1TS05K1N
1TS05K1N	Q10	1TS05K1N

## PART LIST

CIRCUIT : 1PR184E1

COMPUCTOR NO.	REFETENCE	VALUE
1TS05K1N	Q11	1TS05K1N
1TS05K1N	Q12	1TS05K1N
1TS05K1N	Q13	1TS05K1N
1TS05K1N	Q14	1TS05K1N
1TS05K1N	Q15	1TS05K1N
1TS05K1N	Q16	1TS05K1N
1TS05K1N	Q17	1TS05K1N
1TS05K1N	Q18	1TS05K1N
1TS05K1N	Q19	1TS05K1N
1TS05K1N	Q20	1TS05K1N
1TS05K1N	Q21	1TS05K1N
1TS05K1N	Q22	1TS05K1N
1TS05K1N	Q23	1TS05K1N
1TS05K1N	Q24	1TS05K1N
1TS05K1N	Q25	1TS05K1N
1TS05K1N	Q26	1TS05K1N
1TS05K1N	Q27	1TS05K1N
1TS05K1N	Q28	1TS05K1N
1TS05K1N	Q29	1TS05K1N
1TS05K1N	Q30	1TS05K1N
1TS05K1N	Q31	1TS05K1N
1TS05K1N	Q32	1TS05K1N
1TS05K1N	Q33	1TS05K1N
1TS05K1N	Q34	1TS05K1N
1TS05K1N	Q35	1TS05K1N
1TS05K1N	Q36	1TS05K1N
1TS05K1N	Q37	1TS05K1N
1TS05K1N	Q38	1TS05K1N
1TS05K1N	Q39	1TS05K1N
1TS05K1N	Q40	1TS05K1N
1TS01577	Q41	1TS01577
1TS04097	Q42	1TS04097
1RS6A106	R1	10M
1RS6A105	R2	1M
1RS6A105	R3	1M
1RS6A106	R4	10M

ACT747P01A

COMPUCTOR NO.	REFETENCE	VALUE
1RS6A105	R5	1M
1RS6A103	R6	10K
1RS6A105	R7	1M
1RS6A106	R8	10M
1RS6A105	R9	1M
1RS6A103	R10	10K
1RS6A561	R11	560
1RS6A101	R12	100
1RS6A105	R13	1M
1RS6A105	R14	1M
1RS6A106	R15	10M
1RS6A101	R16	100
1RS6A105	R17	1M
1RS6A002	R18	2
1RS6A000	R19	0
1RS6A002	R20	2
1RS6A000	R21	0
1RS6A000	R22	0
1RS6A000	R23	0
1RS6A101	R24	100
1RS6A101	R25	100
1RS6A101	R26	100
1RS6A101	R27	100
1RS6A101	R28	100
1RS6A101	R29	100
1RS6A181	R30	180
1RS6A181	R31	180
1RS6A181	R32	180
1RS6A181	R33	180
1RS6A181	R34	180
1RS6A181	R35	180
1RS6A181	R36	180
1RS6A181	R37	180
1RS6A181	R38	180
1RS6A181	R39	180
1RS6A181	R40	180
1RS6A181	R41	180



## PART LIST

CIRCUIT : 1PR184E1

COMPUCTOR NO.	REFETENCE	VALUE
1RS6A181	R42	180
1RS6A181	R43	180
1RS6A181	R44	180
1RS6A181	R45	180
1RS6A036	R46	36
1RS6A036	R47	36
1RS6A036	R48	36
1RS6A036	R49	36
1RS6A036	R50	36
1RS6A036	R51	36
1RS6A036	R52	36
1RS6A036	R53	36
1RS6A106	R54	10M
1RS6A106	R55	10M
1RS6A106	R56	10M
1RS6A106	R57	10M
1RS6A106	R58	10M
1RS6A106	R59	10M
1RS6A106	R60	10M
1RS6A106	R61	10M
1RS6A106	R62	10M
1RS6A106	R63	10M
1RS6A106	R64	10M
1RS6A106	R65	10M
1RS6A106	R66	10M
1RS6A106	R67	10M
1RS6A106	R68	10M
1RS6A106	R69	10M
1RS6A105	R70	1M
1RS6A105	R71	1M
1RS6A105	R72	1M
1RS6A105	R73	1M
1RS6A105	R74	1M
1RS6A105	R75	1M
1RS6A105	R76	1M
1RS6A105	R77	1M
1RS6A105	R78	1M

ACT747P01A

COMPUCTOR NO.	REFETENCE	VALUE
1RS6A105	R79	1M
1RS6A105	R80	1M
1RS6A105	R81	1M
1RS6A105	R82	1M
1RS6A105	R83	1M
1RS6A105	R84	1M
1RS6A105	R85	1M
1RS6A105	R86	1M
1RS6A105	R87	1M
1RS6A105	R88	1M
1RS6A105	R89	1M
1RS6A105	R90	1M
1RS6A105	R91	1M
1RS6A105	R92	1M
1RS6A105	R93	1M
1RS6A105	R94	1M
1RS6A105	R95	1M
1RS6A105	R96	1M
1RS6A105	R97	1M
1RS6A105	R98	1M
1RS6A105	R99	1M
1RS6A105	R100	1M
1RS6A105	R101	1M
1RS6A051	R102	51
1RS6A051	R103	51
1RS6A051	R104	51
1RS6A051	R105	51
1RS6A051	R106	51
1RS6A051	R107	51
1RS6A051	R108	51
1RS6A051	R109	51
1RS6A103	R110	10K
1RS6A103	R111	10K
1RS6A103	R112	10K
1RS6A103	R113	10K
1RS6A103	R114	10K
1RS6A103	R115	10K
1RS6A103	R116	10K

## PART LIST

CIRCUIT : 1PR184E1

COMPUCTOR NO.	REFETENCE	VALUE
1RS6A103	R117	10K
1RS6A103	R118	10K
1RS6A103	R119	10K
1RS6A103	R120	10K
1RS6A103	R121	10K
1RS6A103	R122	10K
1RS6A103	R123	10K
1RS6A103	R124	10K
1RS6A103	R125	10K
1RS6A561	R126	560
1RS6A561	R127	560
1RS6A561	R128	560
1RS6A561	R129	560
1RS6A561	R130	560
1RS6A561	R131	560
1RS6A561	R132	560
1RS6A561	R133	560
1RS6A105	R134	1M
1RS6A106	R135	10M
1RS6A105	R136	1M
1RS6A047	R137	47
1RS6A105	R138	1M
1RS6A106	R139	10M
1RS6A105	R140	1M
1RS6A047	R141	47
1RS6A105	R142	1M
1RS6A106	R143	10M
1RS6A105	R144	1M
1RS6A101	R145	100
1RS6A105	R146	1M
1RS6A106	R147	10M
1RS6A105	R148	1M
1RS6A047	R149	47
1RS6A105	R150	1M
1RS6A106	R151	10M
1RS6A105	R152	1M
1RS6A101	R153	100
1RS6A105	R154	1M
1RS6A106	R155	10M
1RS6A105	R156	1M
1RS6A047	R157	47
1RS6A105	R158	1M
1RS6A106	R159	10M
1RS6A105	R160	1M

ACT747P01A

COMPUCTOR NO.	REFETENCE	VALUE
1RS6A101	R161	100
1RS6A105	R162	1M
1RS6A106	R163	10M
1RS6A105	R164	1M
1RS6A047	R165	47
1RS6A105	R166	1M
1RS6A106	R167	10M
1RS6A105	R168	1M
1RS6A101	R169	100
1RS6A105	R170	1M
1RS6A106	R171	10M
1RS6A105	R172	1M
1RS6A047	R173	47
1RS6A105	R174	1M
1RS6A106	R175	10M
1RS6A105	R176	1M
1RS6A101	R177	100
1RS6A105	R178	1M
1RS6A106	R179	10M
1RS6A105	R180	1M
1RS6A047	R181	47
1RS6A105	R182	1M
1RS6A106	R183	10M
1RS6A105	R184	1M
1RS6A101	R185	100
1RS6A105	R186	1M
1RS6A106	R187	10M
1RS6A105	R188	1M
1RS6A047	R189	47
1RS6A105	R190	1M
1RS6A106	R191	10M
1RS6A105	R192	1M
1RS6A101	R193	100
1RS6A105	R194	1M
1RS6A106	R195	10M
1RS6A105	R196	1M
1RS6A047	R197	47
1RS6A105	R198	1M
1RS6A106	R199	10M
1RS6A105	R200	1M
1RS6A332	R201	3.3K
1RS6A332	R202	3.3K
1RS6A332	R203	3.3K
1RS6A332	R204	3.3K

## PART LIST

ACT747P01A

CIRCUIT : 1PR184E1

COMPUCTOR NO.	REFETENCE	VALUE
1RS6A332	R205	3.3K
1RS6A051	R206	51
1RS6A332	R207	3.3K
1RS6A102	R208	1K
1RS6A473	R209	47K
1RS6A047	R210	47
1RS6A332	R211	3.3K
1RS6A563	R212	56K
1RS6A051	R213	51
1RS6A105	R214	1M
1RS6A106	R215	10M
1RS6A105	R216	1M
1RS6A103	R217	10K
1RS6A105	R218	1M
1RS6A106	R219	10M
1RS6A105	R220	1M
1RS6A103	R221	10K
1RS6A561	R222	560
1RS6A101	R223	100
1RS6A105	R224	1M
1RS6A106	R225	10M
1RS6A105	R226	1M
1RS6A047	R227	47
1RS6A105	R228	1M
1RS6A473	R229	47K
1RS6A473	R230	47K
1RS6A473	R231	47K
1RS6A683	R232	68K
1RS6A122	R233	1.2K
1SWN0038	SW1	1SWN0038
1SWN0034	SW2	1SWN0034
1IN07805	U1	1IN07805
1IN07805	U2	1IN07805
1IS02068	U3	1IS02068
1IS03301	U4	1IS03301
1IS03301	U5	1IS03301
1IN07808	U6	1IN07808
1DES0180	Z1	1DES0180
1DES0120	Z2	1DES0120
1DES0120	Z3	1DES0120
1DES0180	Z4	1DES0180

**PART LIST**

CIRCUIT : 1PR185B1

COMPUCTOR NO.	REFETENCE	VALUE
1CENCA228	C1	2200uF/25V
1CENCB477	C2	470uF/25V
1CENCB477	C3	470uF/25V
1CCS6P821	C4	820P
1CTSBA105	C5	1uF
1CCS6X103	C6	103P
1CENCB477	C7	470uF/25V
1CCS6X104	C8	104P
1CENCB477	C9	470uF/25V
1CENCB477	C10	470uF/25V
1CENCA227	C11	220uF/25V
1CCS8Y104	C12	104P
1CCS8Y104	C13	104P
1CTSAA226	C14	22uF
1CENEA107	C15	100uF/50V
1CCS6X103	C16	103P
1CCS8Y104	C17	104P
1MFA0004	FU1	1MFA0004
1LLNA476	L1	1LLNA476
1LLNA476	L2	1LLNA476
1LLNA476	L3	1LLNA476
1FSC0002	L4	1FSC0002
1FSC0002	L5	1FSC0002
1FSC0002	L6	1FSC0002
1FSC0002	L7	1FSC0002
1SFHB02A	P1	1SFHB02A
1SFHB03A	P3	1SFHB03A
1SFHB03A	P4	1SFHB03A
1SFHB02A	P5	1SFHB02A
1SFHB06A	P7	1SFHB06A
1SFHB03A	P8	1SFHB03A
1TS04097	Q1	1TS04097
1TS2305N	Q2	1TS2305N
1TS04097	Q3	1TS04097
1RS6A102	R1	1K
1RS6A223	R10	22K
1RS6A473	R11	47K
1RS6A103	R12	10K
1RS6A472	R13	4.7K

ACT747P01A

COMPUCTOR NO.	REFETENCE	VALUE
1RS6A473	R14	47K
1RS6A105	R15	1M
1RS6A473	R16	47K
1RS6A122	R17	1.2K
1RS6A823	R2	82K
1RS6A103	R3	10K
1RS6D147	R4	14.7K
1RS6D712	R5	7.15K
1RS6D212	R6	2.1K
1RS6A105	R7	1M
1RS6A103	R8	10K
1RS6A563	R9	56K
1IS1010A	U1	1IS1010A
1IN07805	U2	1IN07805
1DDS0034	Z1	1DDS0034
1DES0120	Z2	1DES0120
1DDS0204	Z3	1DDS0204
1DDS0204	Z4	1DDS0204

**PART LIST**

CIRCUIT : 1PR186C1

COMPUCTOR NO.	REFETENCE	VALUE
1CCS6X104	C1	104P
1CCS6X104	C2	104P
1CTSDA104	C3	0.1uF
1CTSDA104	C4	0.1uF
1CTSDA104	C5	0.1uF
1CTSDA104	C6	0.1uF
1CTSDA104	C7	0.1uF
1CTSDA104	C8	0.1uF
1CCS6X104	C9	104P
1CTSBA225	C10	2.2uF
1CTSBA225	C11	2.2uF
1CEMEA226	C12	22uF/50V
1CEMEA226	C13	22uF/50V
1CEMEA226	C14	22uF/50V
1CEMEA226	C15	22uF/50V
1CTSBA106	C16	10uF
1CTSBA106	C17	10uF
1CTSBA106	C18	10uF
1CCS6X104	C19	104P
1CCS6X104	C20	104P
1CCS6X102	C21	102P
1CENCA227	C22	220uF/25V
1CCSCX106	C23	10uF
1CCSCX106	C24	10uF
1CCSCX106	C25	10uF
1CCSCX106	C26	10uF
1DLNRC03	LED1	1DLNRC03
1DLNRC03	LED2	1DLNRC03
1SFNE10F	P1	1SFNE10F
1SFNE10F	P2	1SFNE10F
1SFHH08A	P3	1SFHH08A
1SFHH08A	P4	1SFHH08A
1SFHB06A	P5	1SFHB06A
1SFHB05B	P6	1SFHB05B
1SFHH03A	P7	1SFHH03A
1TS02150	Q1	1TS02150
1TS02150	Q2	1TS02150
1TS01577	Q3	1TS01577
1RS6A473	R1	47K
1RS6A473	R2	47K

ACT747P01A

COMPUCTOR NO.	REFETENCE	VALUE
1RS8B622	R3	6.2K
1RS6A473	R4	47K
1RS6A473	R5	47K
1RS6A102	R6	1K
1RS6A101	R7	100
1RS6A101	R8	100
1RS6A101	R9	100
1RS6A101	R10	100
1RS6A101	R11	100
1RS6A101	R12	100
1RS8D003	R13	2.7
1RS8D003	R14	2.7
1RS8D003	R15	2.7
1RS6A102	R16	1K
1RS8D102	R17	1K
1RS8D241	R18	249
1RS6A244	R19	240K
1RS8D241	R20	249
1RS6A473	R21	47K
1RS8D102	R22	1K
1RS8D241	R23	249
1RS6A102	R24	1K
1RS8D241	R25	249
1RS6A102	R26	1K
1RS8D003	R27	2.7
1RS8B622	R28	6.2K
1RS6A103	R29	10K
1RS6A103	R30	10K
1RS6A473	R31	47K
1RS6A103	R32	10K
1RS6A473	R33	47K
1RS6A563	R34	56K
1RS6A563	R35	56K
1RS6A473	R36	47K
1SWN0011	SW1	1SWN0011
1SWN0011	SW2	1SWN0011
1SWN0011	SW3	1SWN0011
1SWN0011	SW4	1SWN0011
1SWN0025	SW5	1SWN0025
1SPUT001	T1	1SPUT001
1SPUT001	T2	1SPUT001

**PART LIST**ACT747P01A

CIRCUIT : 1PR186C1

COMPUCTOR NO.	REFETENCE	VALUE
1IN06311	U1	1IN06311
1IN06311	U2	1IN06311
1IS16819	U3	1IS16819
1RSVB502	VR1	1RSVB502
1RSVB502	VR2	1RSVB502
1DLD0925	Z1	1DLD0925
1DLD0925	Z2	1DLD0925
1DDS001D	Z3	1DDS001D
1DDS4148	Z4	1DDS4148
1DDS001D	Z5	1DDS001D
1DDS4148	Z6	1DDS4148
1DDS001D	Z7	1DDS001D
1DDS001D	Z8	1DDS001D
1DDS0451	Z9	1DDS0451
1DDS4148	Z10	1DDS4148
1DDS0204	Z11	1DDS0204
1DDS0204	Z12	1DDS0204
1DDS0451	Z13	1DDS0451
1DDS4148	Z14	1DDS4148
1DDS4148	Z15	1DDS4148
1DDS4148	Z16	1DDS4148
1DBN0431	Z17	1DBN0431
1DDS4148	Z18	1DDS4148
1DDS4148	Z19	1DDS4148
1DBN0431	Z20	1DBN0431

## PART LIST

CIRCUIT : 1PR187C1

COMPUCTOR NO.	REFETENCE	VALUE
1CCSCX106	C1	10uF
1CTSBA225	C10	2.2uF
1CTSBA225	C11	2.2uF
1CEMEA226	C12	22uF/50V
1CEMEA226	C13	22uF/50V
1CEMEA226	C14	22uF/50V
1CEMEA226	C15	22uF/50V
1CTSBA106	C16	10uF
1CCS6X104	C17	104P
1CTSBA106	C18	10uF
1CCSCX106	C19	10uF
1CCS6X104	C2	104P
1CTSDA104	C3	0.1uF
1CTSDA104	C4	0.1uF
1CTSDA104	C5	0.1uF
1CTSDA104	C6	0.1uF
1CTSDA104	C7	0.1uF
1CTSDA104	C8	0.1uF
1CCS6X104	C9	104P
1CENCA227	C20	220uF/25V
1CCS6X104	C21	104P
1CCSCX106	C22	10uF
1CCSCX106	C23	10uF
1DLNRC03	LED1	1DLNRC03
1DLNRC03	LED2	1DLNRC03
1SFNE10F	P1	1SFNE10F
1SFNE10F	P2	1SFNE10F
1SFHH03A	P3	1SFHH03A
1TS02150	Q1	1TS02150
1TS02150	Q2	1TS02150
1RS6A473	R1	47K
1RS6A473	R2	47K
1RS8B622	R3	6.2K
1RS6A473	R4	47K
1RS6A473	R5	47K
1RS6A102	R6	1K
1RS6A101	R7	100
1RS6A101	R8	100
1RS6A101	R9	100
1RS6A101	R10	100

ACT747P01A

COMPUCTOR NO.	REFETENCE	VALUE
1RS6A101	R11	100
1RS6A101	R12	100
1RS8D003	R13	2.7
1RS8D003	R14	2.7
1RS8D003	R15	2.7
1RS6A102	R16	1K
1RS8D102	R17	1K
1RS8D241	R18	249
1RS6A563	R19	56K
1RS8D241	R20	249
1RS6A563	R21	56K
1RS8D102	R22	1K
1RS8D241	R23	249
1RS6A102	R24	1K
1RS8D241	R25	249
1RS6A102	R26	1K
1RS8D003	R27	2.7
1RS8B622	R28	6.2K
1RS6A103	R29	10K
1RS6A103	R30	10K
1SWN0011	SW1	1SWN0011
1SWN0011	SW2	1SWN0011
1SWN0011	SW3	1SWN0011
1SWN0011	SW4	1SWN0011
1SPUT001	T1	1SPUT001
1SPUT001	T2	1SPUT001
1IN06311	U1	1IN06311
1IN06311	U2	1IN06311
1RSVB502	VR1	1RSVB502
1RSVB502	VR2	1RSVB502
1DLD0925	Z1	1DLD0925
1DLD0925	Z2	1DLD0925
1DDS001D	Z3	1DDS001D
1DDS4148	Z4	1DDS4148
1DDS001D	Z5	1DDS001D
1DDS4148	Z6	1DDS4148
1DDS001D	Z7	1DDS001D
1DDS001D	Z8	1DDS001D
1DBN0431	Z9	1DBN0431

**PART LIST**

CIRCUIT : 1PR187C1

ACT747P01A

COMPUCTOR NO.	REFETENCE	VALUE
1DDS4148	Z10	1DDS4148
1DDS0204	Z11	1DDS0204
1DDS4148	Z12	1DDS4148
1DDS0204	Z13	1DDS0204
1DDS4148	Z14	1DDS4148
1DDS4148	Z15	1DDS4148
1DDS4148	Z16	1DDS4148
1DBN0431	Z17	1DBN0431
1DDS4148	Z18	1DDS4148