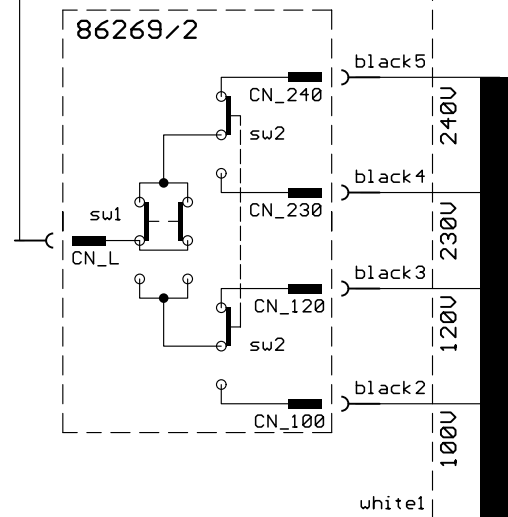
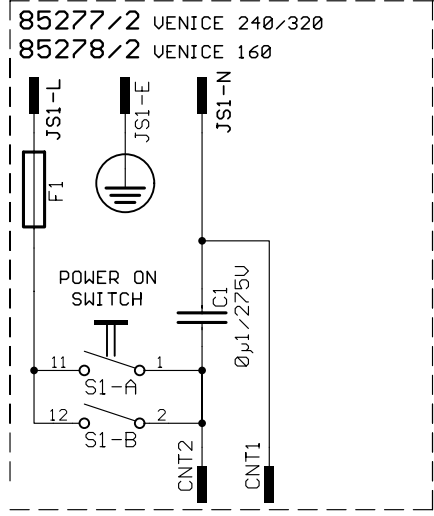


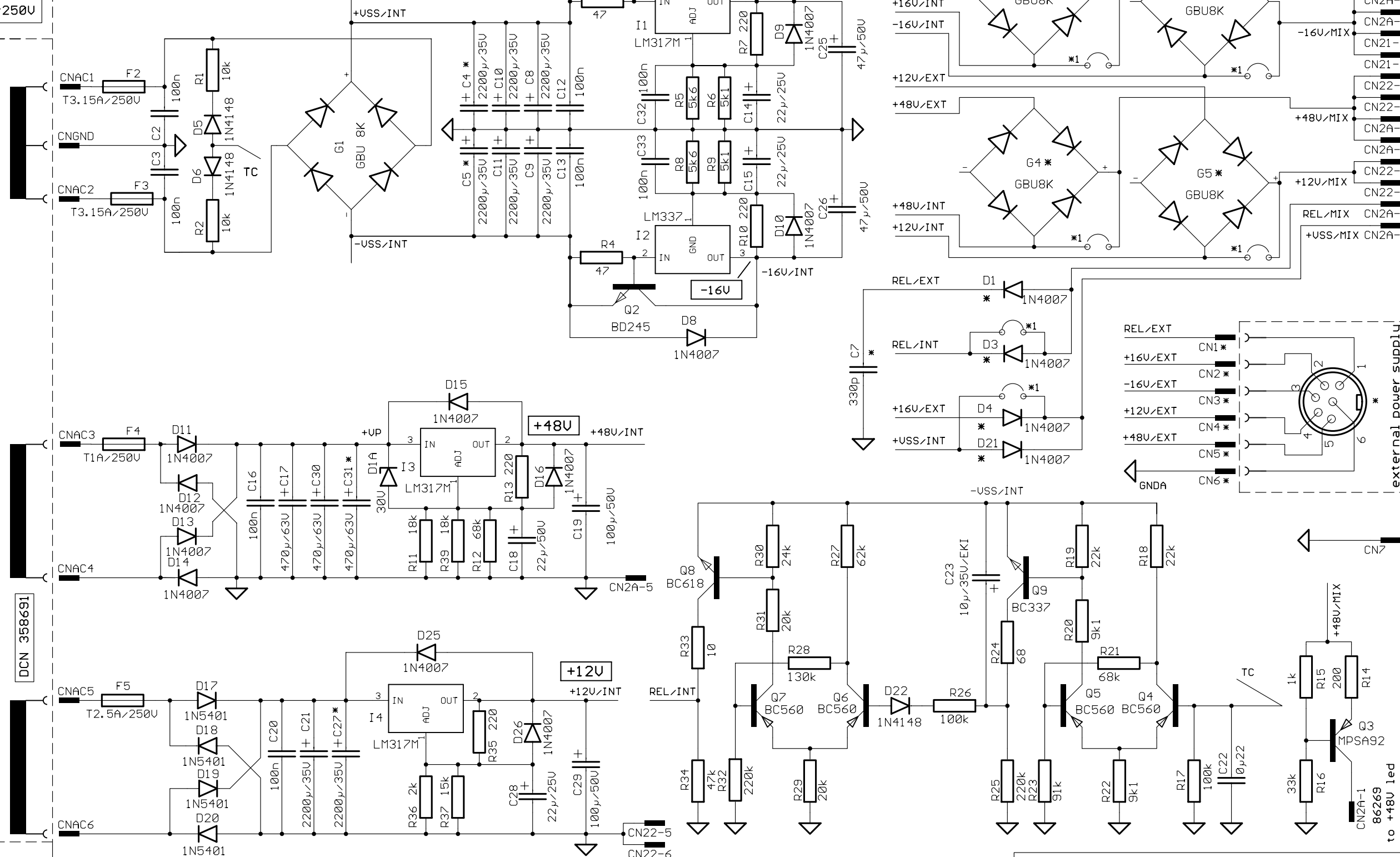
F1	100U-120U	220U-240U
VENICE 160	T3.15A/L/250U	T1.6A/L/250U
VENICE 240	T3.15A/L/250U	T1.6A/L/250U
VENICE 320	T3.15A/L/250U	T1.6A/L/250U



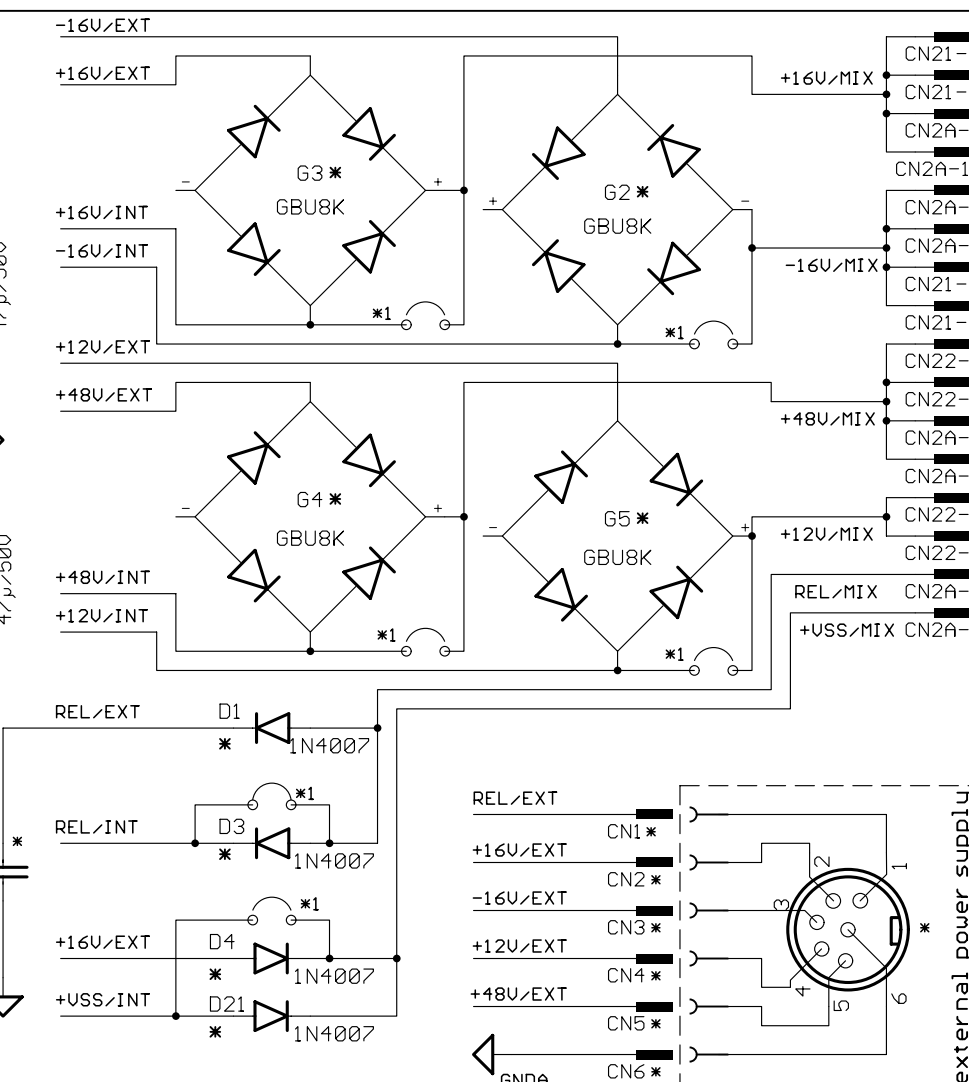
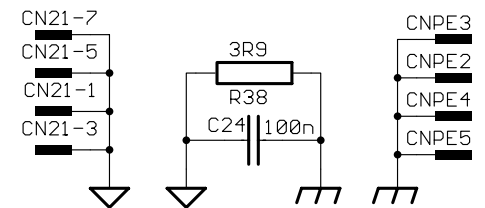
85277 VENICE 240/320
85278 VENICE 160
*1 only at 85278

*	85277	85278
CN1-CN6	343516	n. c.
C4, C5	2200μ	n. c.
G2 - G5	GBU8K	n. c.
D1, D3	1N4007	n. c.
D4, D21	1N4007	n. c.
C7	330p	n. c.
C27	2200μ	n. c.
C31	470μ	n. c.

85277/1 VENICE 240/320
85278/1 VENICE 160



DCN 358691



ALTERATIONS RESERVED!

Last modified: 29.11.2001 11:02:10			
Last plotted: 26.06.2002 13:40:52			
	2000	DATE	NAME
	DSG'D	11.00	Schuhb.
E	92/01	28.11	HSa
D	57/01	27.07	Stangl
C	24/03	27.03	Stangl
B	09/01	14.02	Stangl
A	Nullserie	31.01	Stangl
ISSUE	REVISION	DATE	NAME
MIDAS			

power supply / mains	
85277E	85278
CIRCUIT DIAGRAM	
357 412	
MIDAS Venice	
	4-