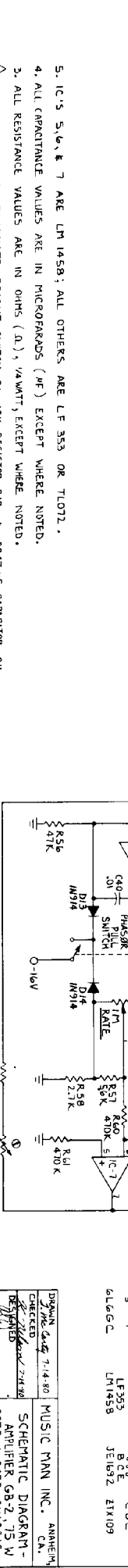
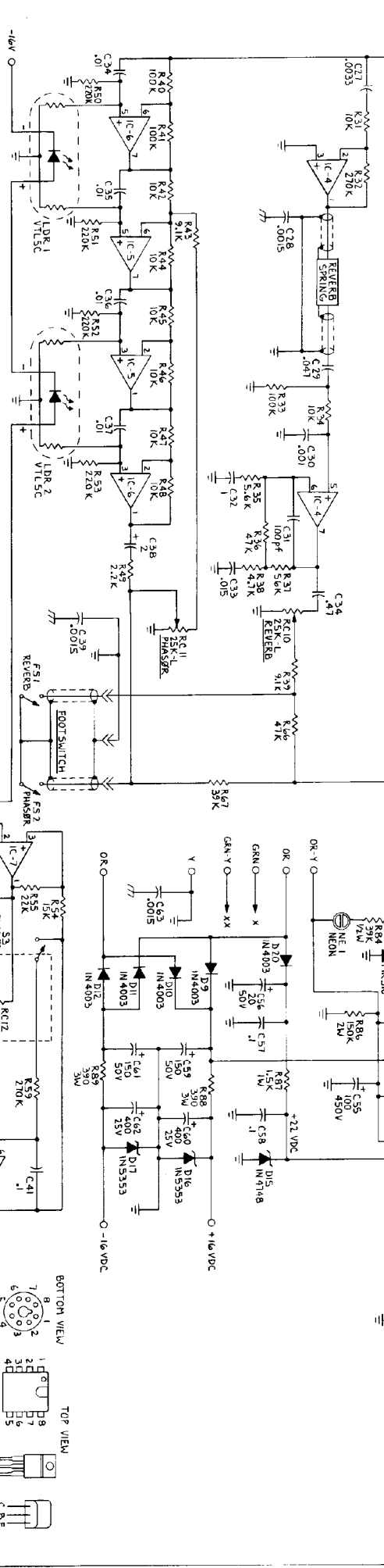
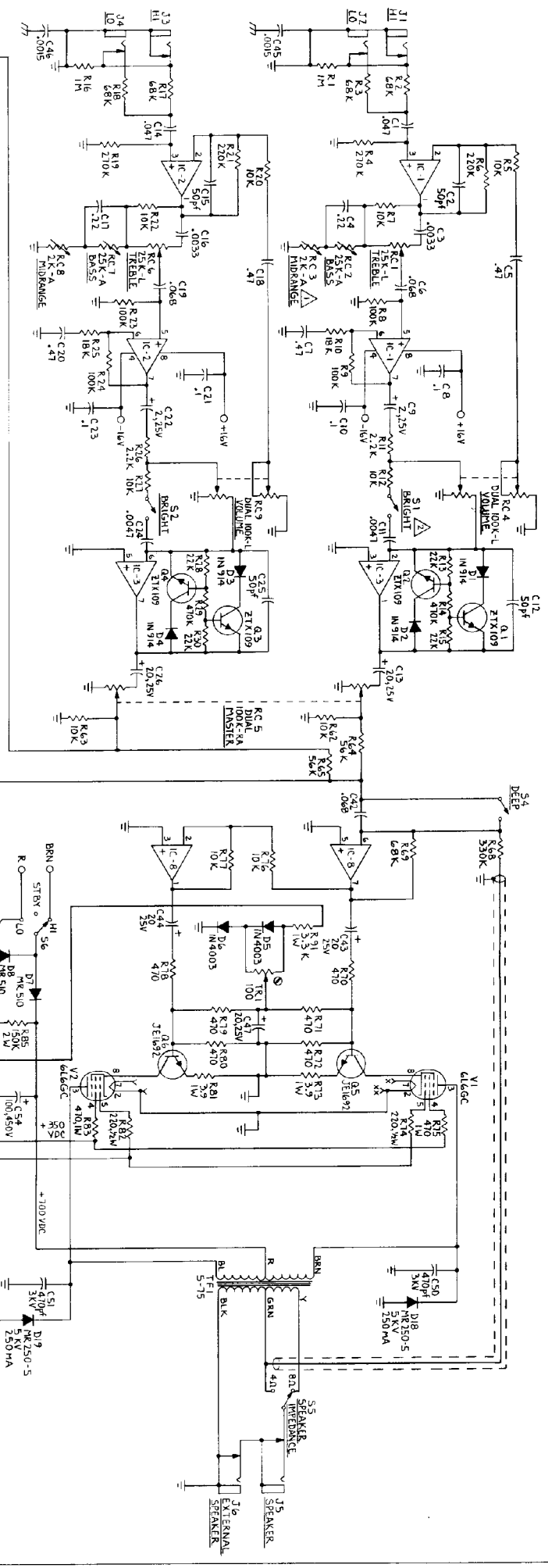




# Amplifier Schematics

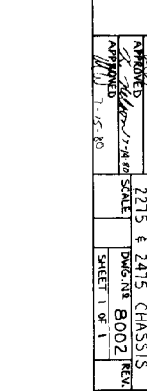
Chassis Numbers: 2475-75  
2275-75

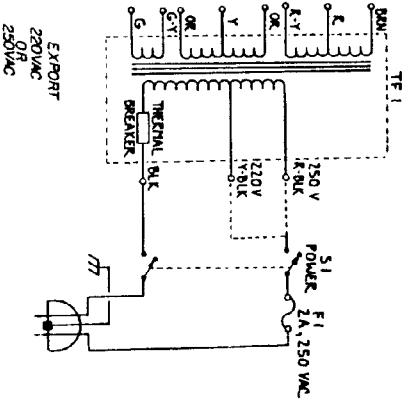
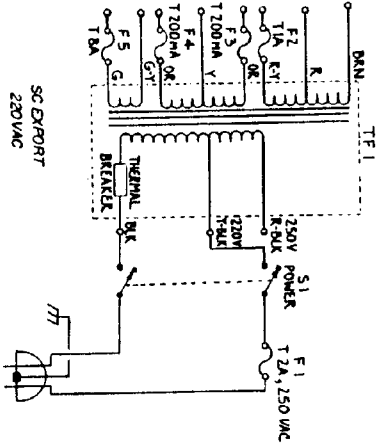
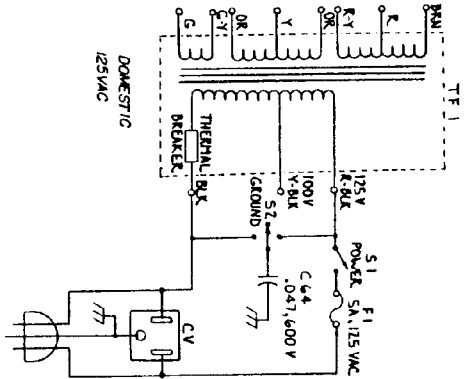
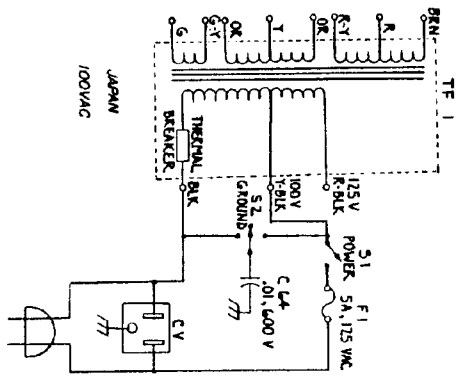


NOTE:  $\nabla$  ON 2275 CHASSIS, REPLACE MIDRANGE CONTROL RC3 WITH 820  $\Omega$  RESISTOR.

- IC-5, 5, 6, & 7 ARE LM1458; ALL OTHERS ARE LF353 OR TL071.
- ALL CAPACITANCE VALUES ARE IN MICROFARADS (MF) EXCEPT WHERE NOTED.
- ALL RESISTANCE VALUES ARE IN OHMS ( $\Omega$ ), VAWATT, EXCEPT WHERE NOTED.
- ON 2275 CHASSIS, ELIMINATE BRIGHT SWITCH S1, 10K RESISTOR R12, & .0047 MF CAPACITOR C11.
- ON 2275 CHASSIS, REPLACE MIDRANGE CONTROL RC3 WITH 820  $\Omega$  RESISTOR.

DESIGNED BY	DATE	PROJECT	REV.
CHECKED BY	DATE	PROJECT	REV.
APPROVED BY	DATE	PROJECT	REV.
DATE	SCALE	SHEET	OF





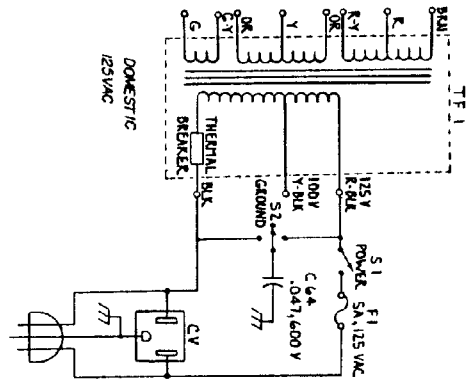
T.F.1 PART NUMBERS  
 100-65 — 6.5 W, 75 W, 100-125 VAC  
 100-65-250 — 6.5 W, 75 W, 220-250 VAC  
 200-130 — 100 W, 150 W, 100-115 VAC  
 200-130-250 — 100 W, 150 W, 220-250 VAC

POWER TRANSFORMER DIAGRAM

Model	5002	Part No.	5002
Manufacturer	MUSIC MAN INC.	Location	ANN ARBOR, MI.
Country of Origin	USA	Year	1970

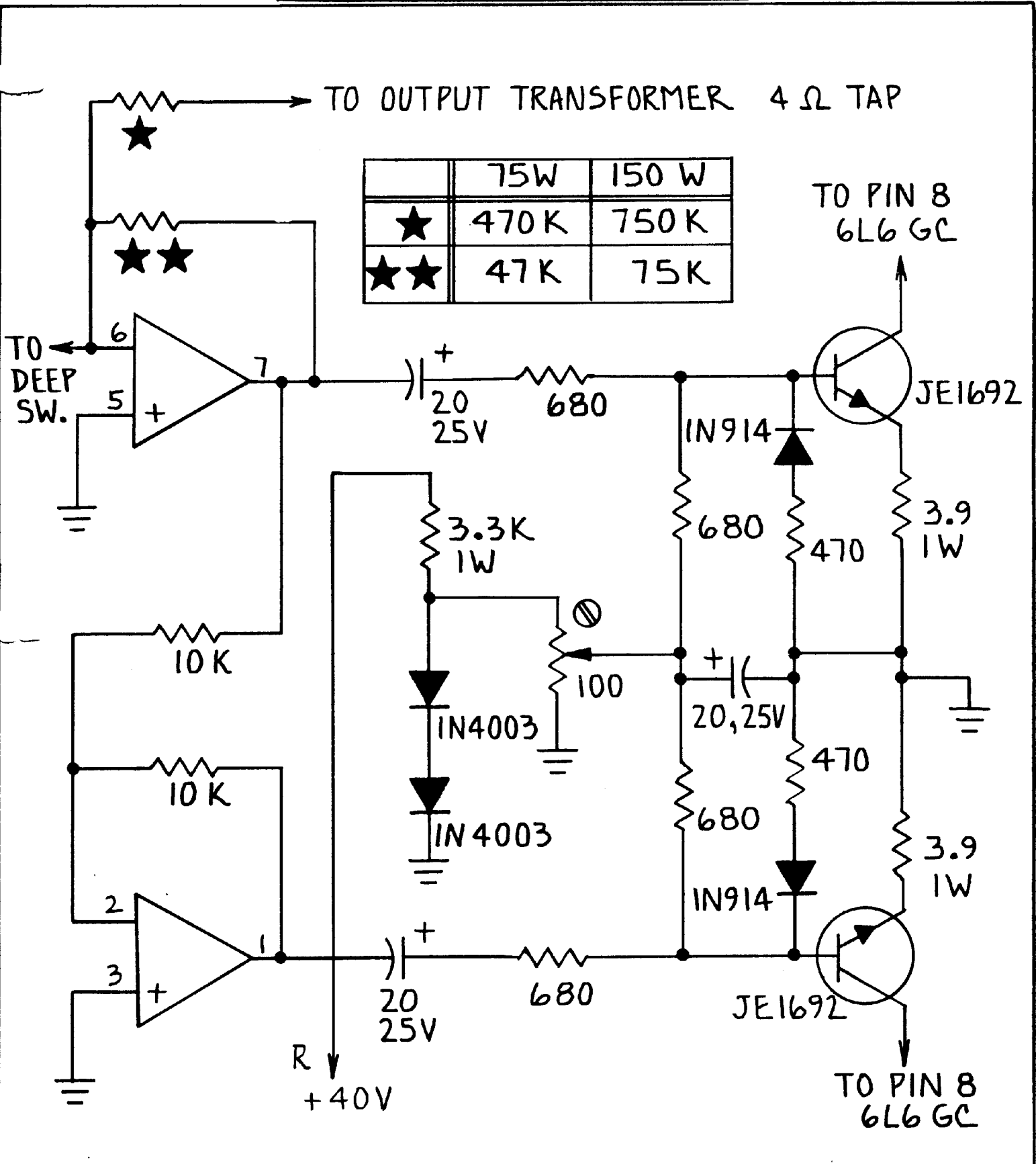
RD and RP 65 and 100 SERIES PARTS LIST

- Output Transformer - 65 Watt
- Output Transformer - 100 Watt
- Power Transformer - 65 Watt
- Power Transformer - 100 Watt
- Tubes 6L6
- Tubes 6CA7 (older models)
- Tube socket, 8 pin
- Filter cover
- Pilot light assembly
- Control knob - black - 0-10
- Fuse 3A 125V - S10-b10
- Fuse cap (push type)
- Fuseholder (screw-in type)
- Switch, toggle SPST (standby)
- Switch, toggle SPST (power)
- Control, /00K RA (gain)
- Diode IN 4748
- Diode HV 50 (replaces MR250-5)
- Diode MR 510
- Transistor ZTX 109
- Transistor JH 1692 (2N6292)
- IC TLO72 (LF-353)
- IC MC1 4053B
- IC MC 1458
- IC MC 4016B
- Reverb Pan
- Reverb input transducer
- Reverb output transducer
- Speaker 10" G/HD
- Speaker 10" Electro-Voice
- Speaker 12" C12G
- Speaker 12" Electro-Voice
- Speaker 15" Electro-Voice



POWER TRANSFORMER DIAGRAM	
FORM 4-1-68	REVISED BY
MUSIC MAN INC.	
ARMENIA, CA.	
5002	

# DB~4 SCHEMATIC



NOTE: THIS SCHEMATIC SHOWS MODIFIED DRIVER SECTION IN AMPLIFIERS CONTAINING DB-4 DRIVER BOARD.