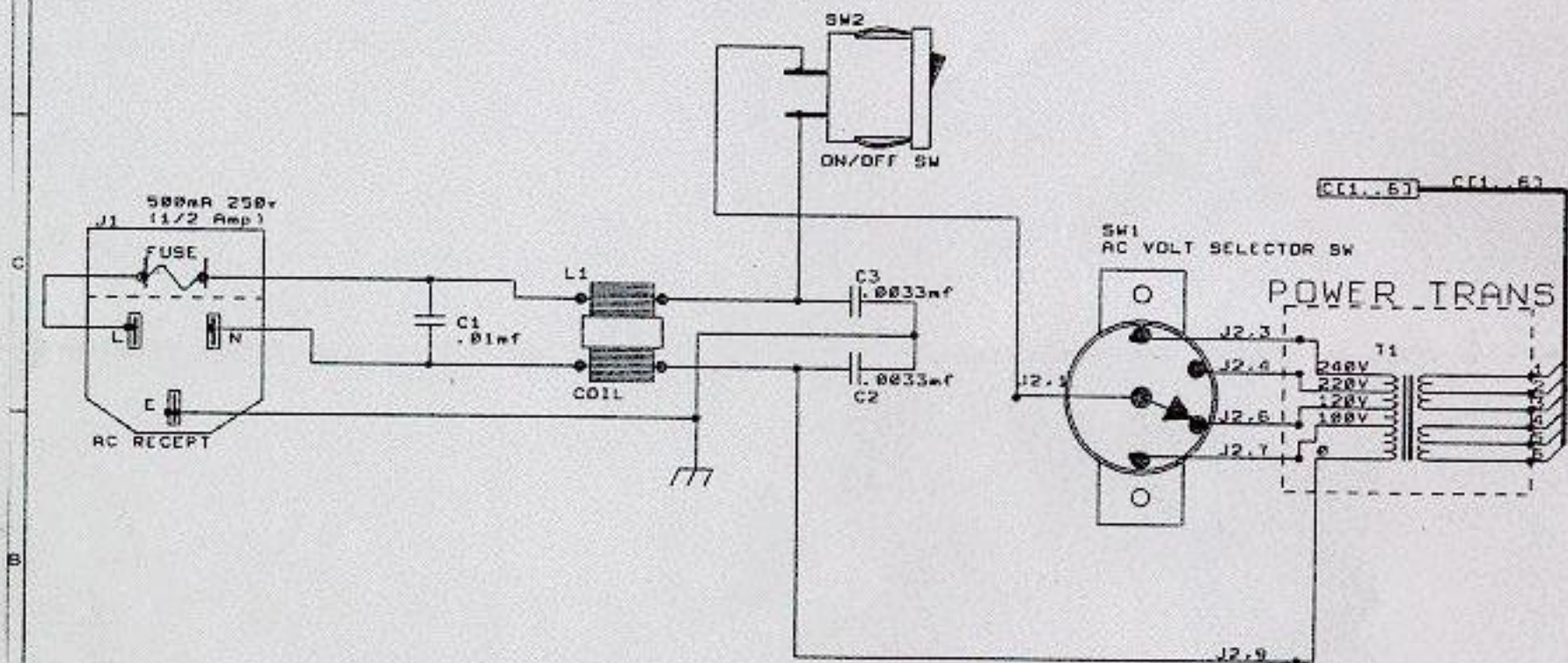


MATRIX-1000 FILTER (B)

\* USE AFTER SERIAL NUMBER 850000 \*



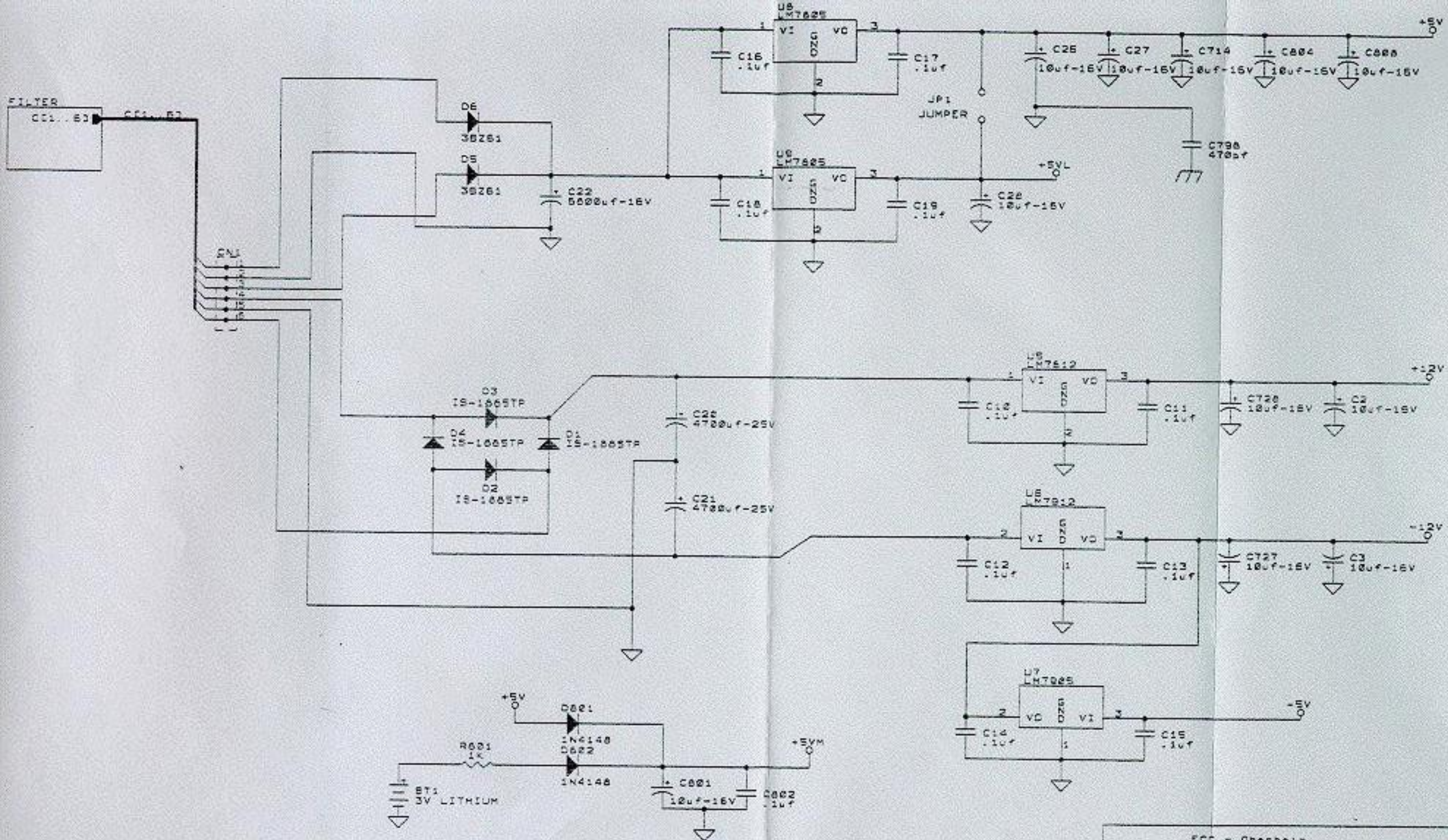
ECC/OBERHEIM  
2015 Davis Ave.  
Commer, CA. 90048-1704

Title  
MATRIX-1000 FILTER (B)

Size Document Number  
A 2446

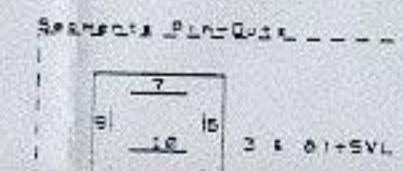
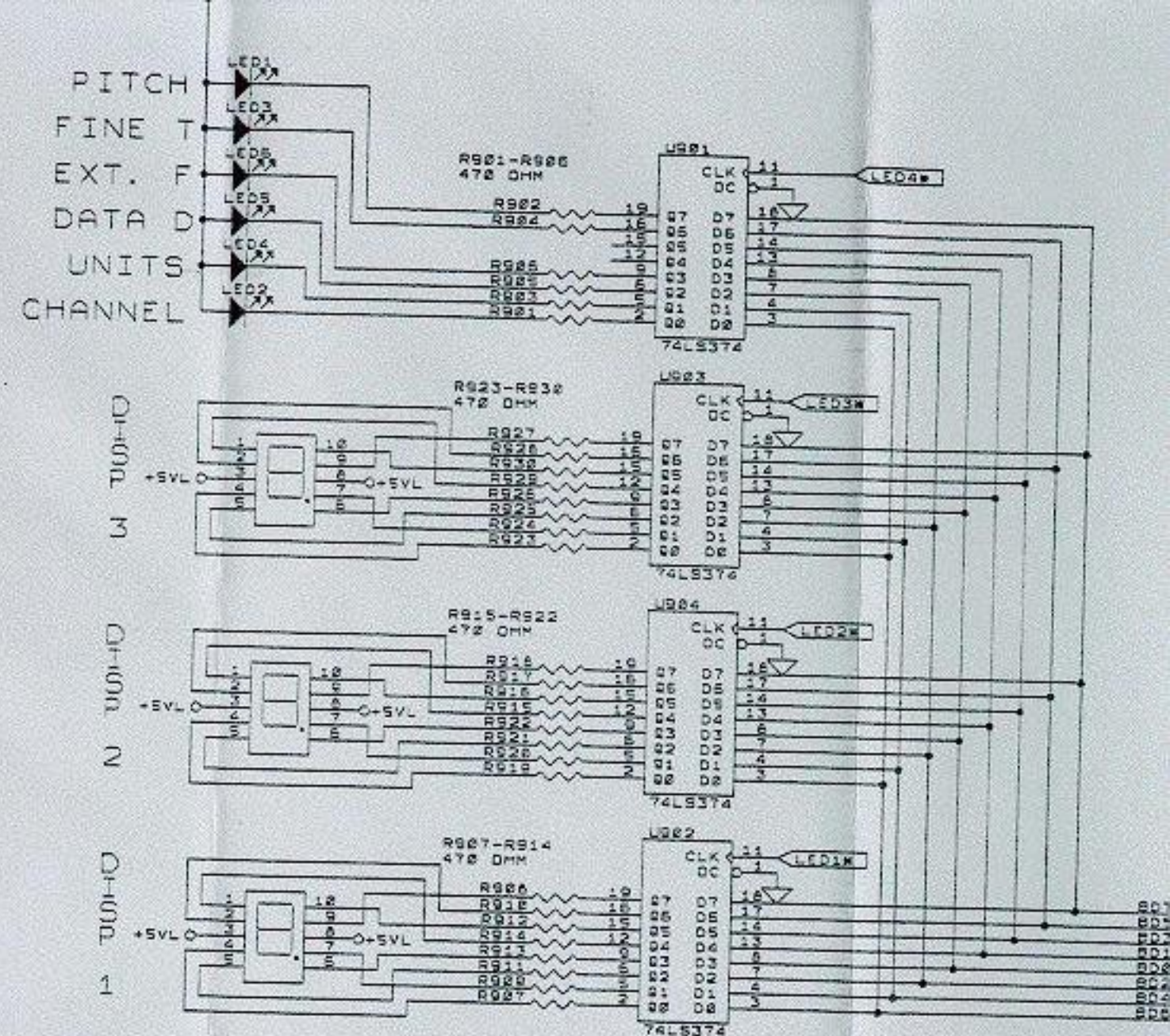
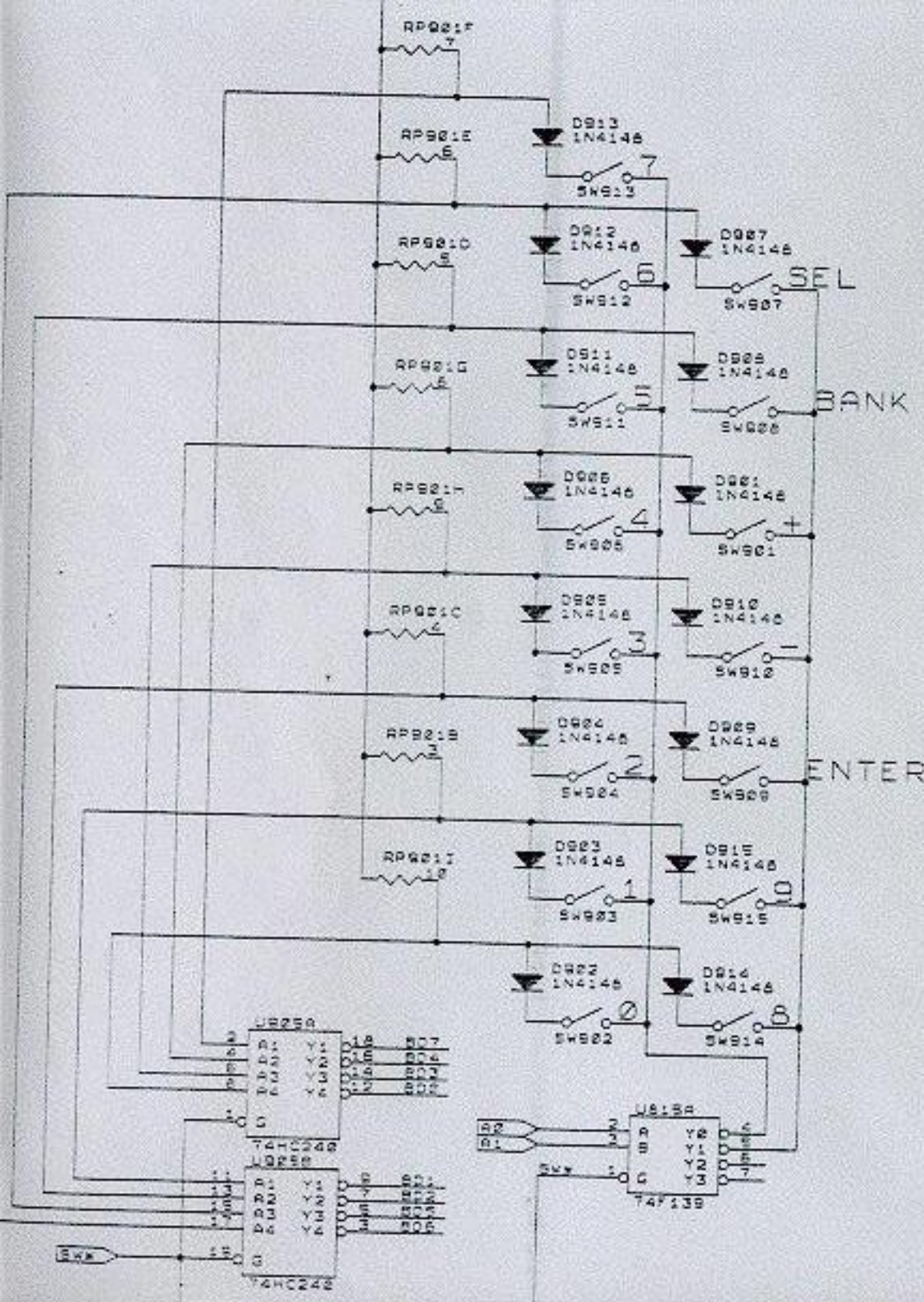
REV  
B

Date: October 20, 1968 Sheet 1 of 1

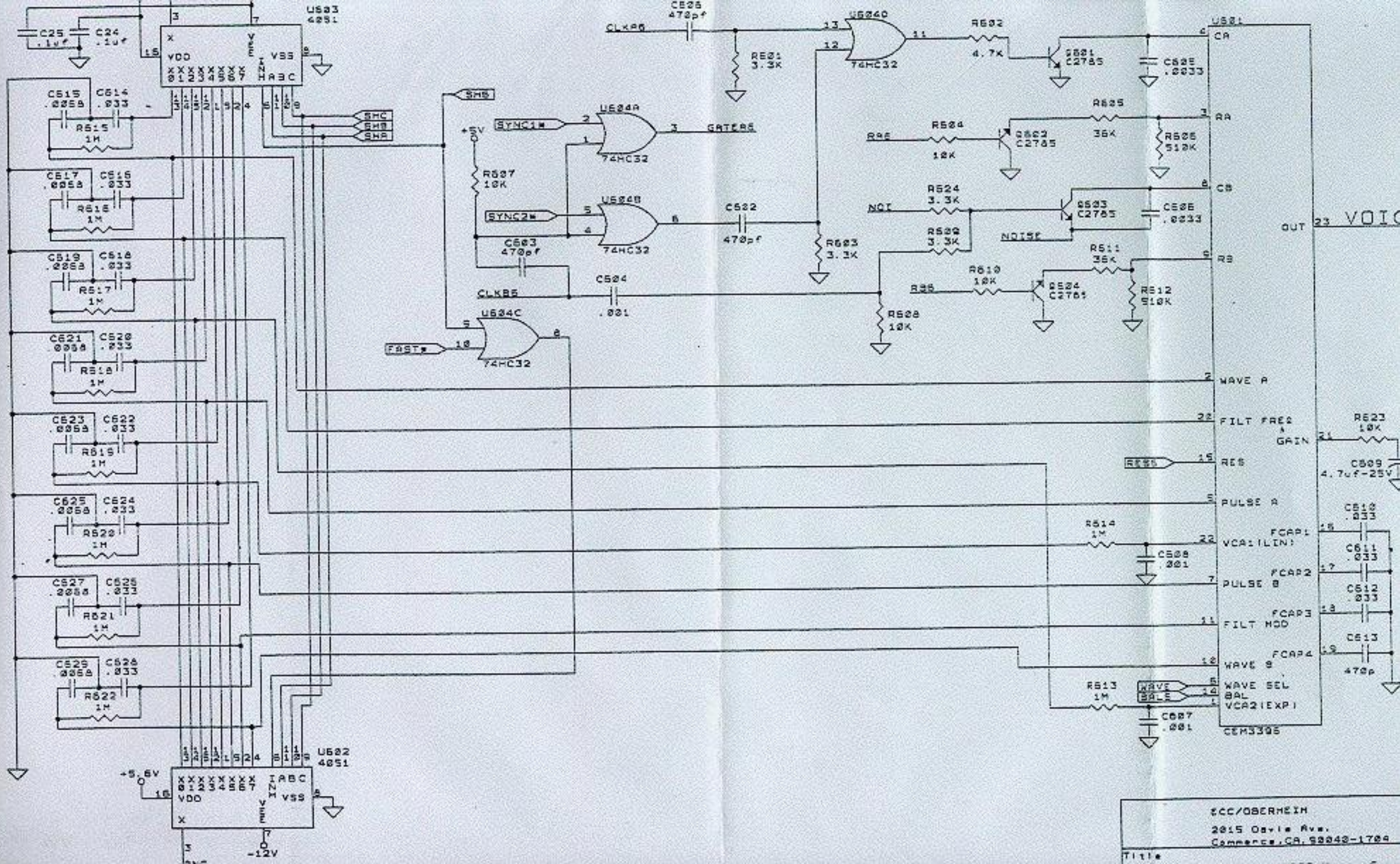


ECC - Oberheim  
 2215 Devie Ave.  
 Carmel, CA 92040-1704

Title

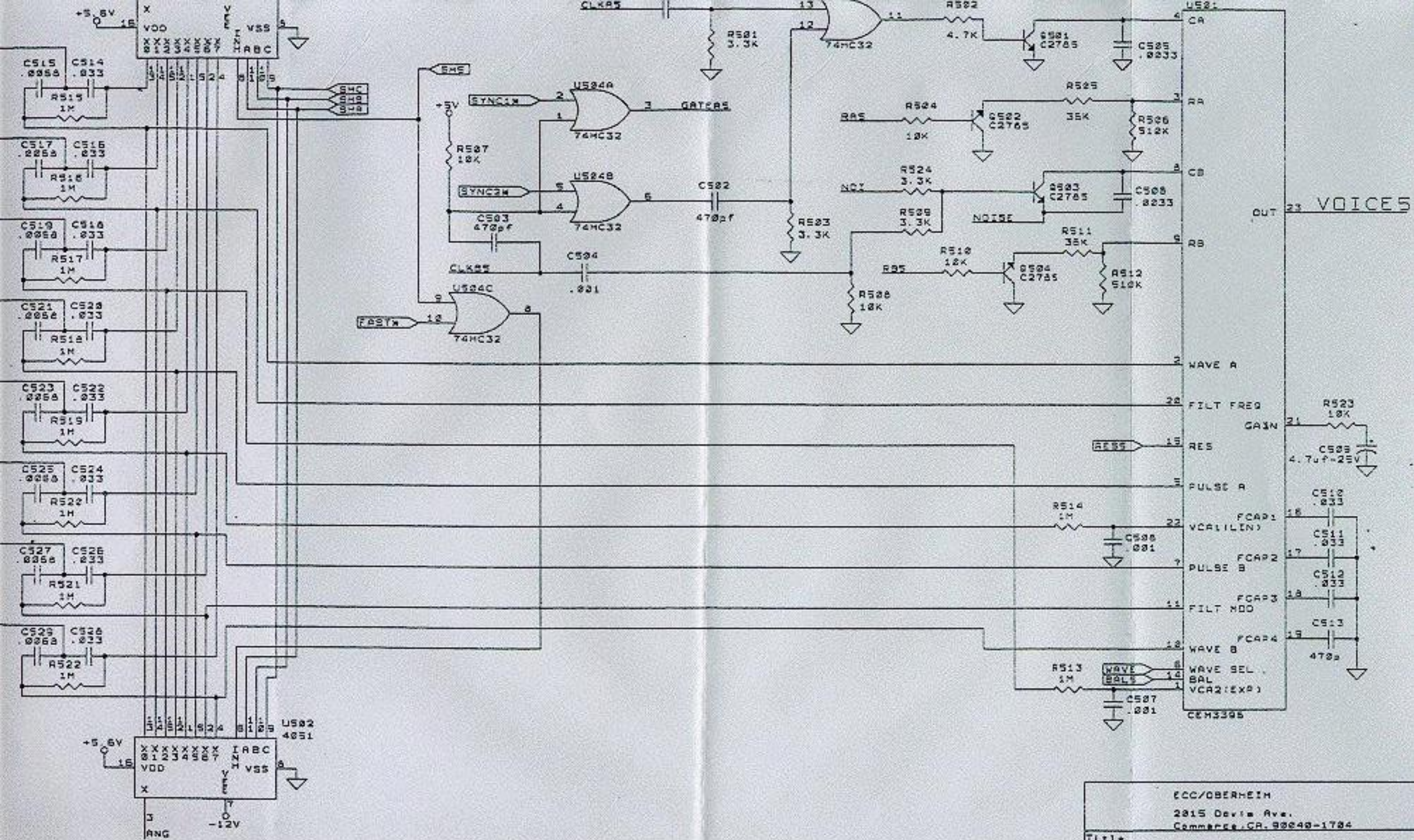


ECC-DERHEIM  
 2015 Davis Ave.  
 Camarillo, CA 93040-1704

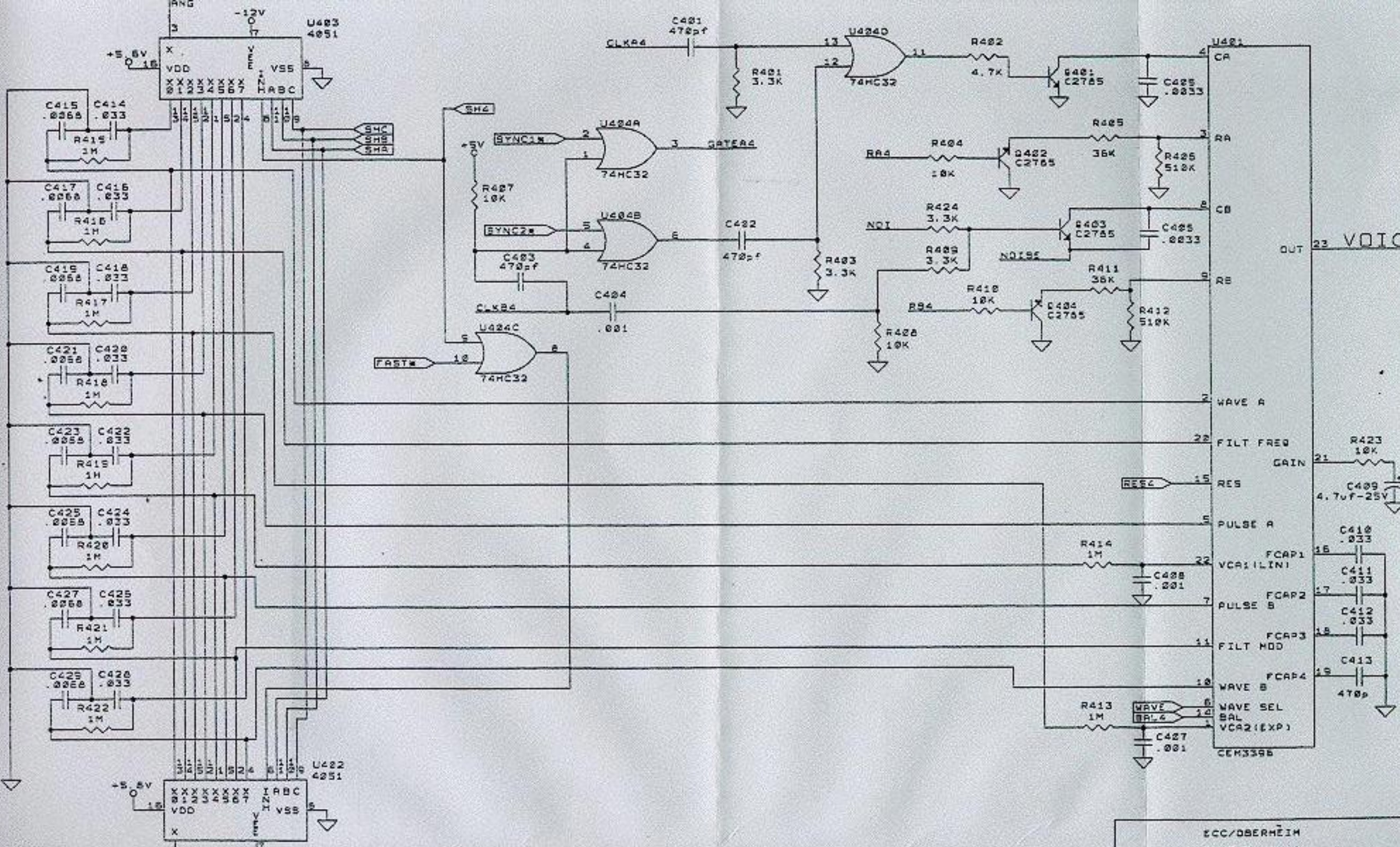


ECC/OBERHEIM  
 2815 Osyle Ave.  
 Camarillo, CA 93042-1709

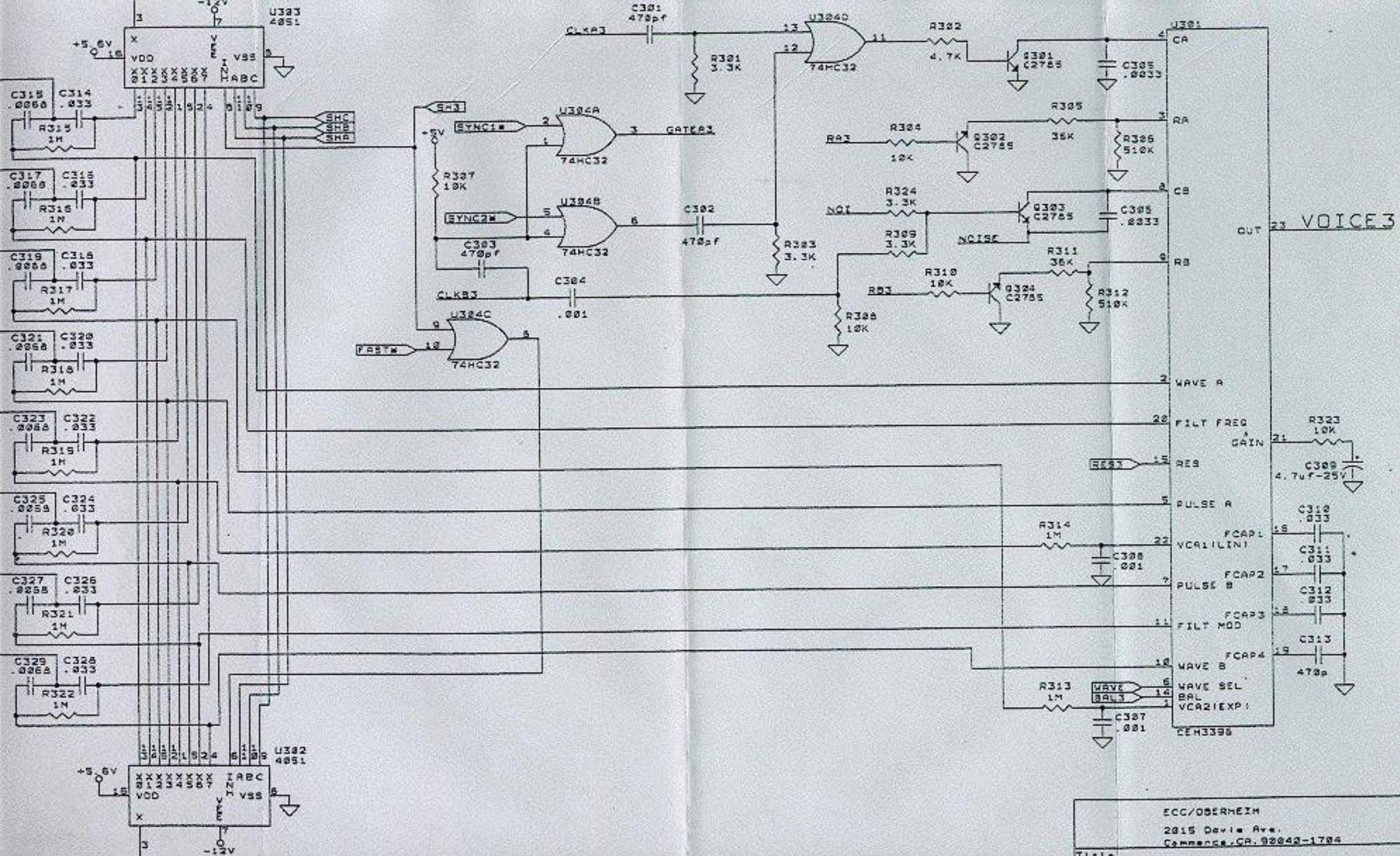
Title



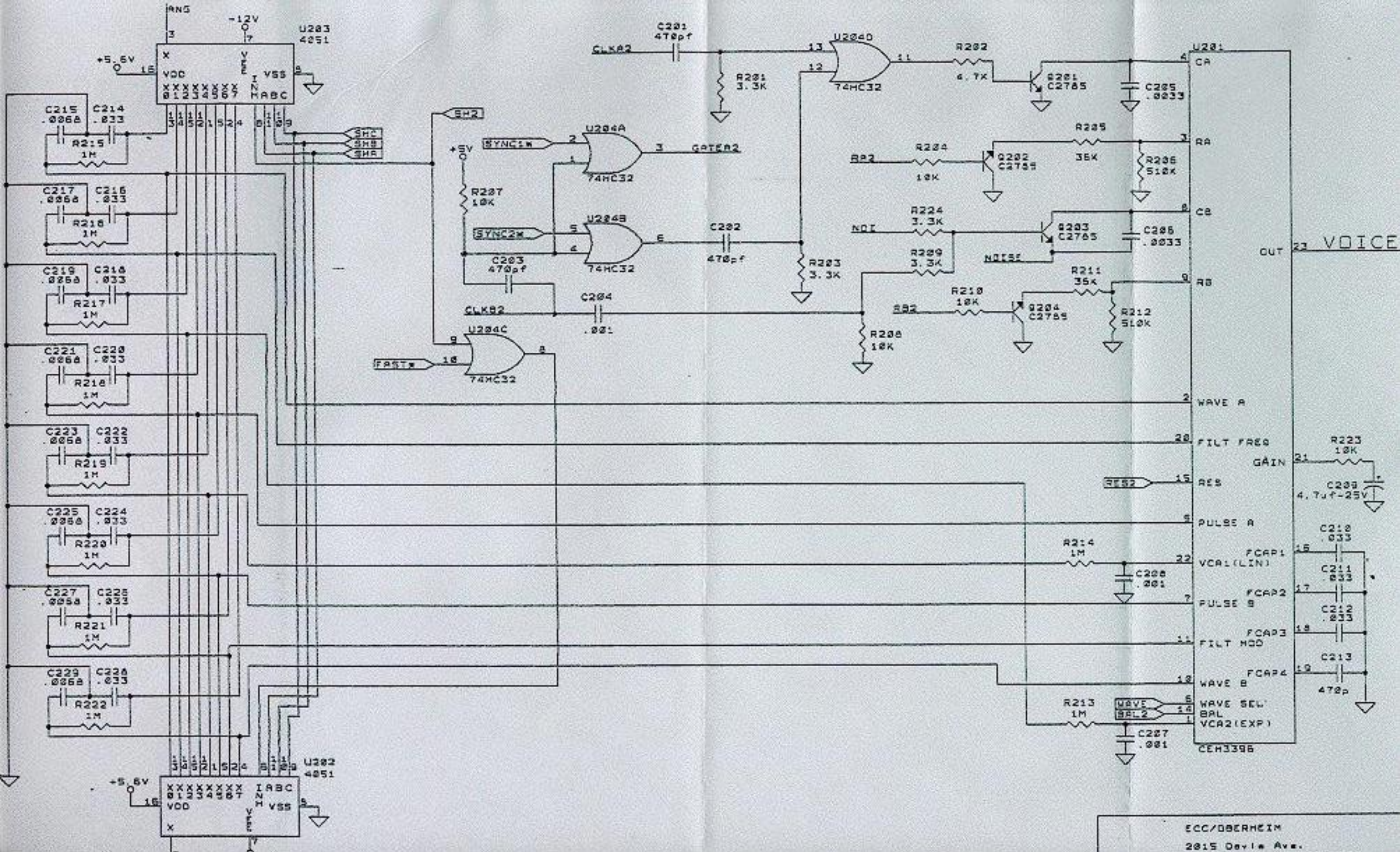
ECC/OBERHEIM  
 2815 Davis Ave.  
 Camarillo, CA 93040-1784  
 Title  
 Matrix-1000 Voice 5



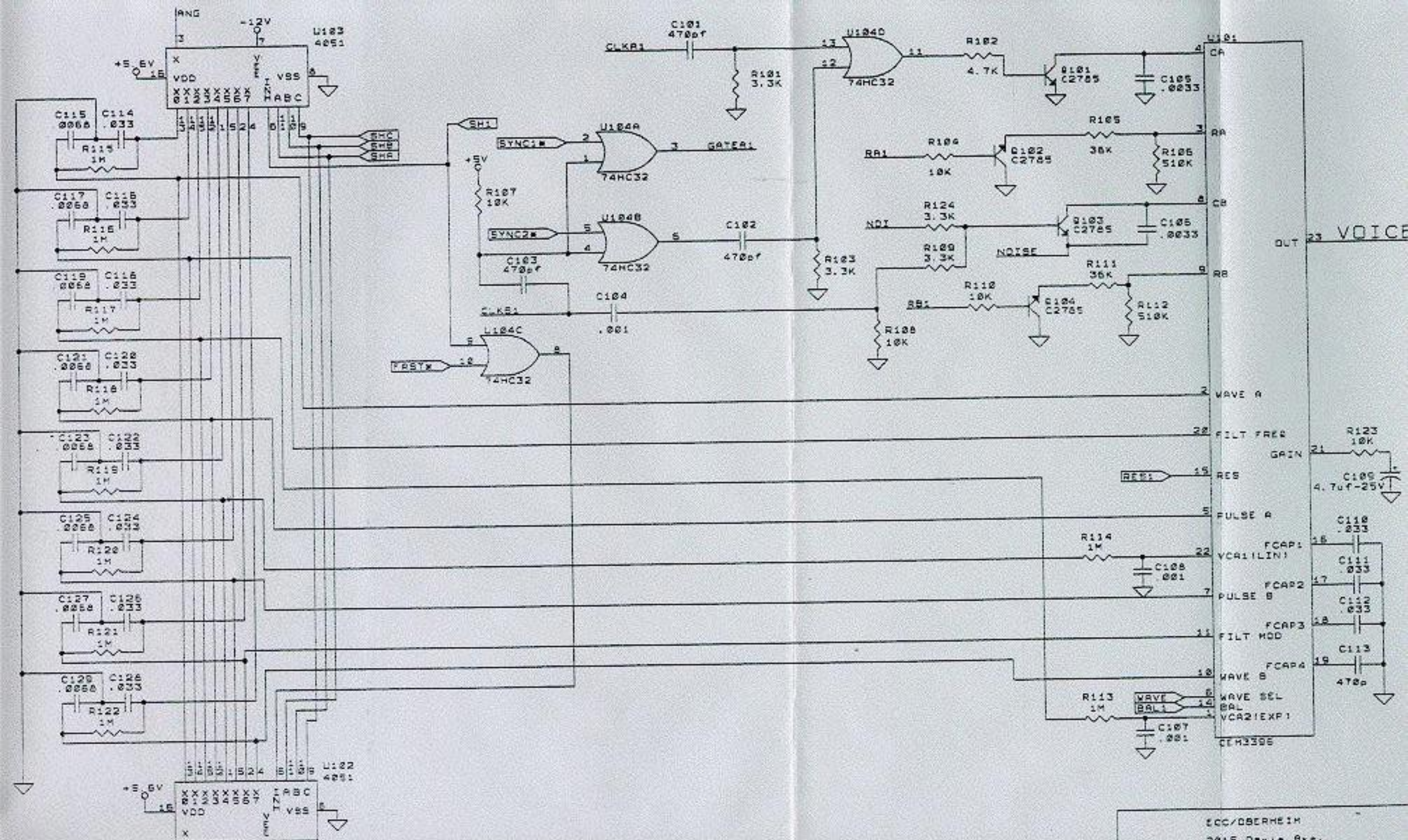
ECC/OBERHEIM  
 2815 Davis Ave.  
 Campbell, CA 92009-1784



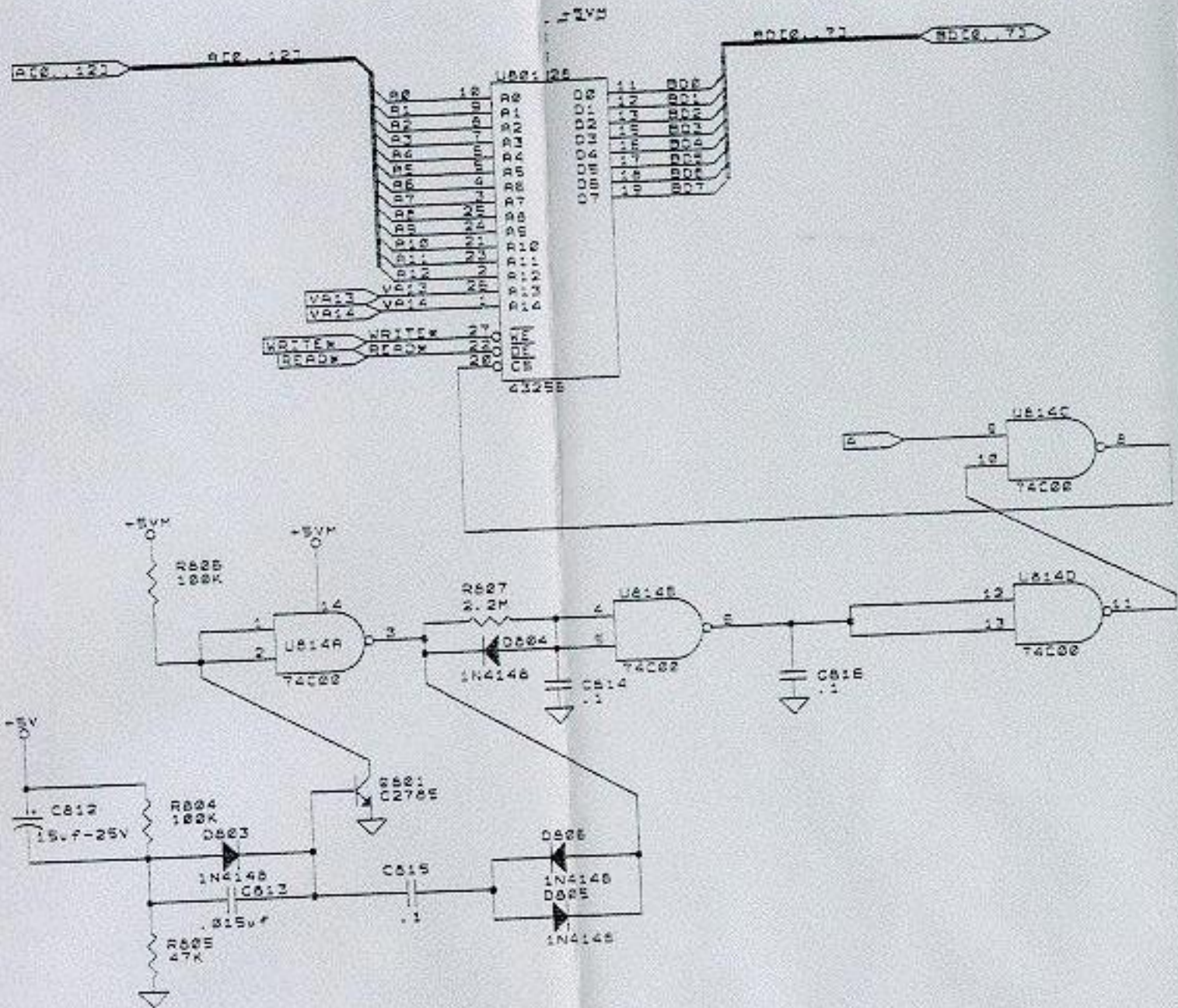
ECC/OBERHEIM  
 2815 Devle Ave.  
 Camarillo, CA. 92042-1785  
 Title



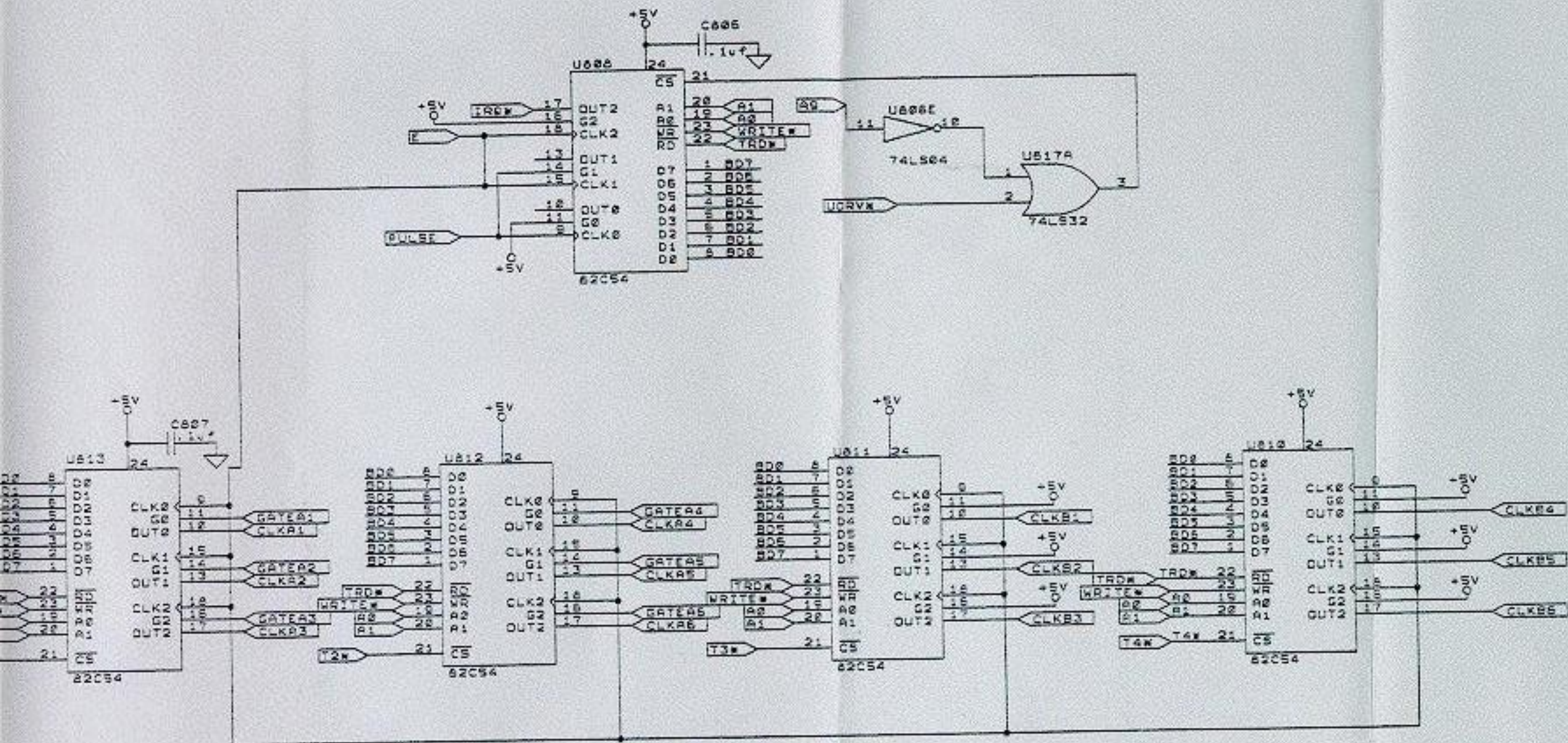




ECC/OBERHEIM  
 2015 Davis Ave.  
 Commerce, CA 92620-1704

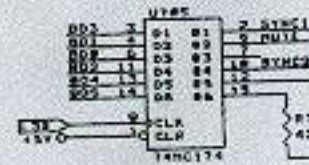
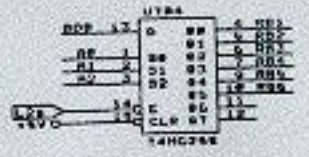
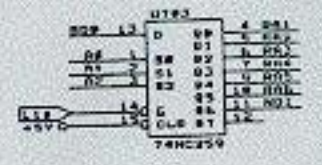
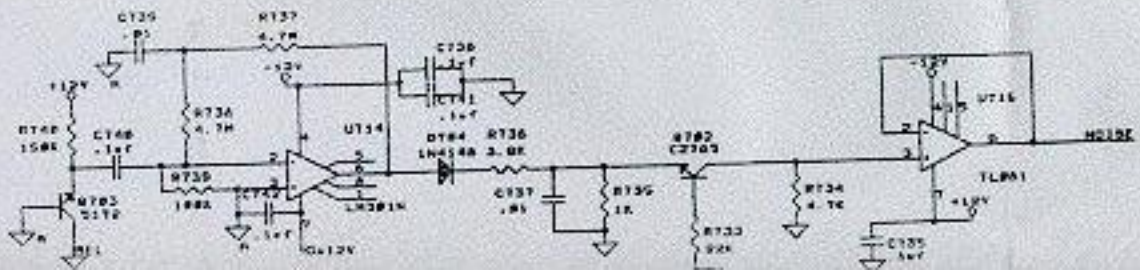
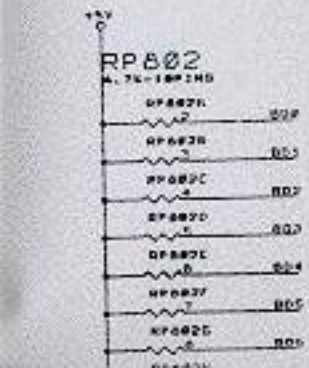
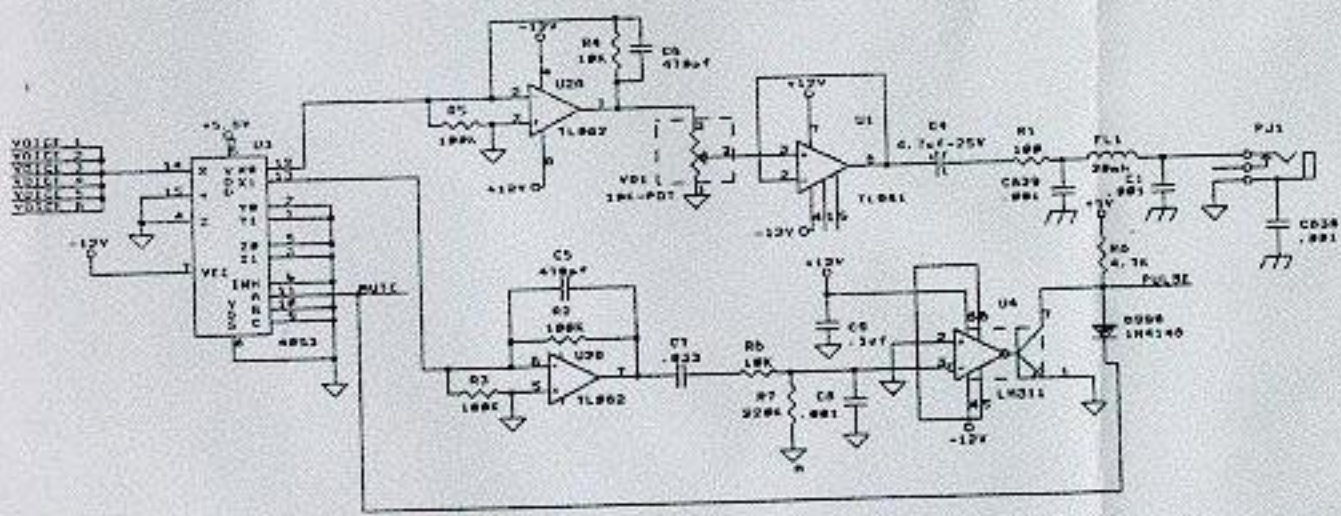
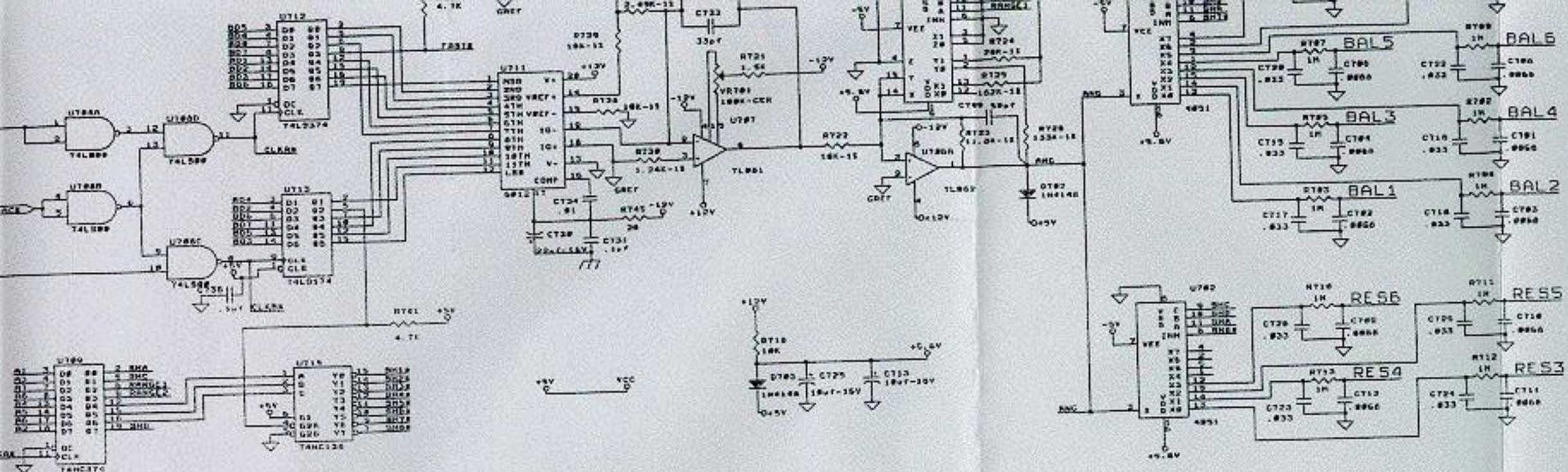


ECC/OBERHEIM		
2015 Devis Ave.		
Cinnerra, CA, 92240-1784		
TITLE	Mat-IV-1000 CMOS	REV
Size Document Number	2487	B
Date: September 30, 1988	Sheet 5 of	12

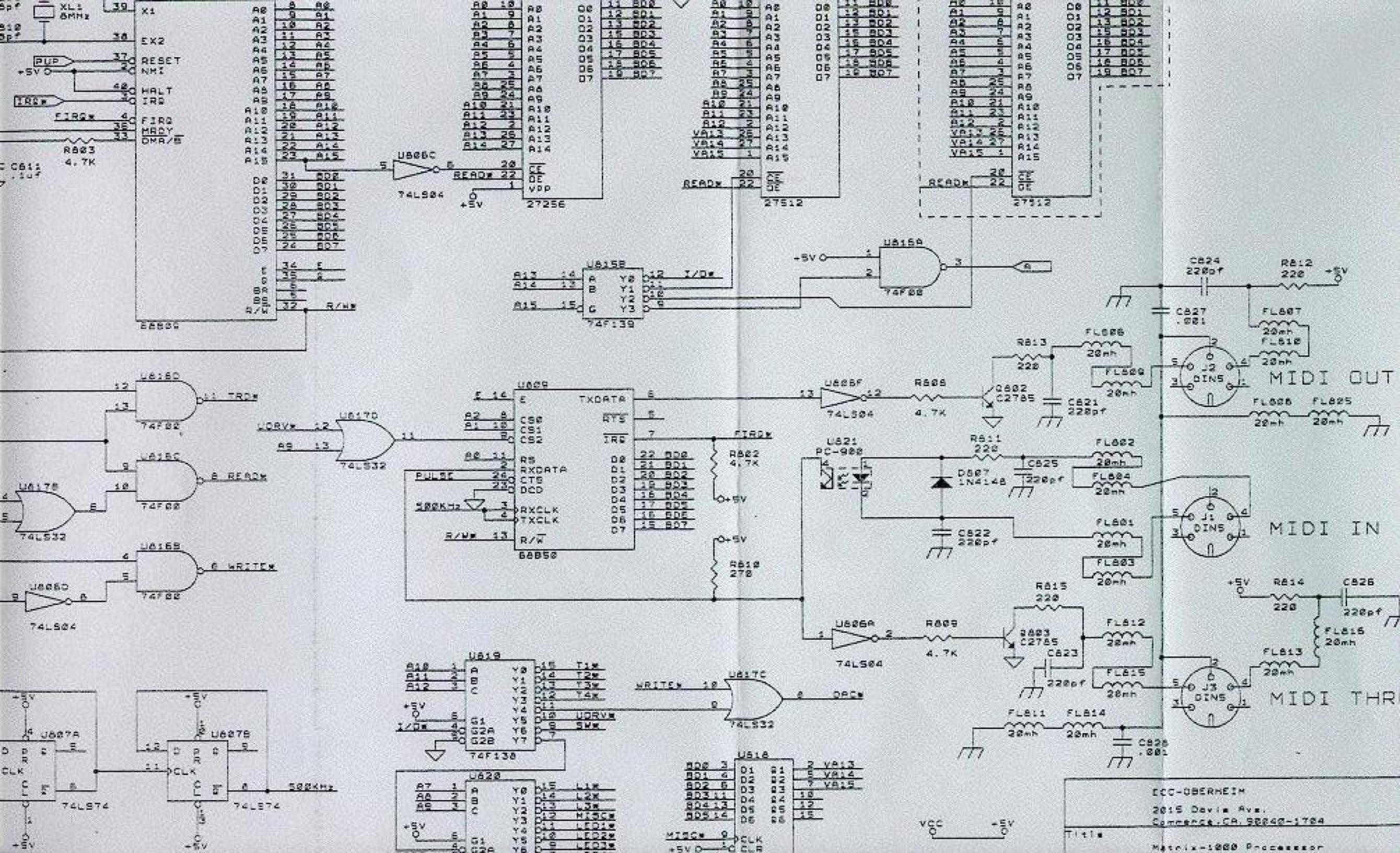


ECC/OBERHEIM  
 2815 Davis Ave.  
 Concord, CA. 94640-1784

Title:   
 Model: 1000 Tiger



ECC/DEKHEJH  
2815 Davis Ave.  
Schenectady, NY 12304-1194



ECC-UBERHEIM  
 2015 Davis Ave.  
 Concord, CA 94602-1704

Title  
 Matrix-1000 Processor