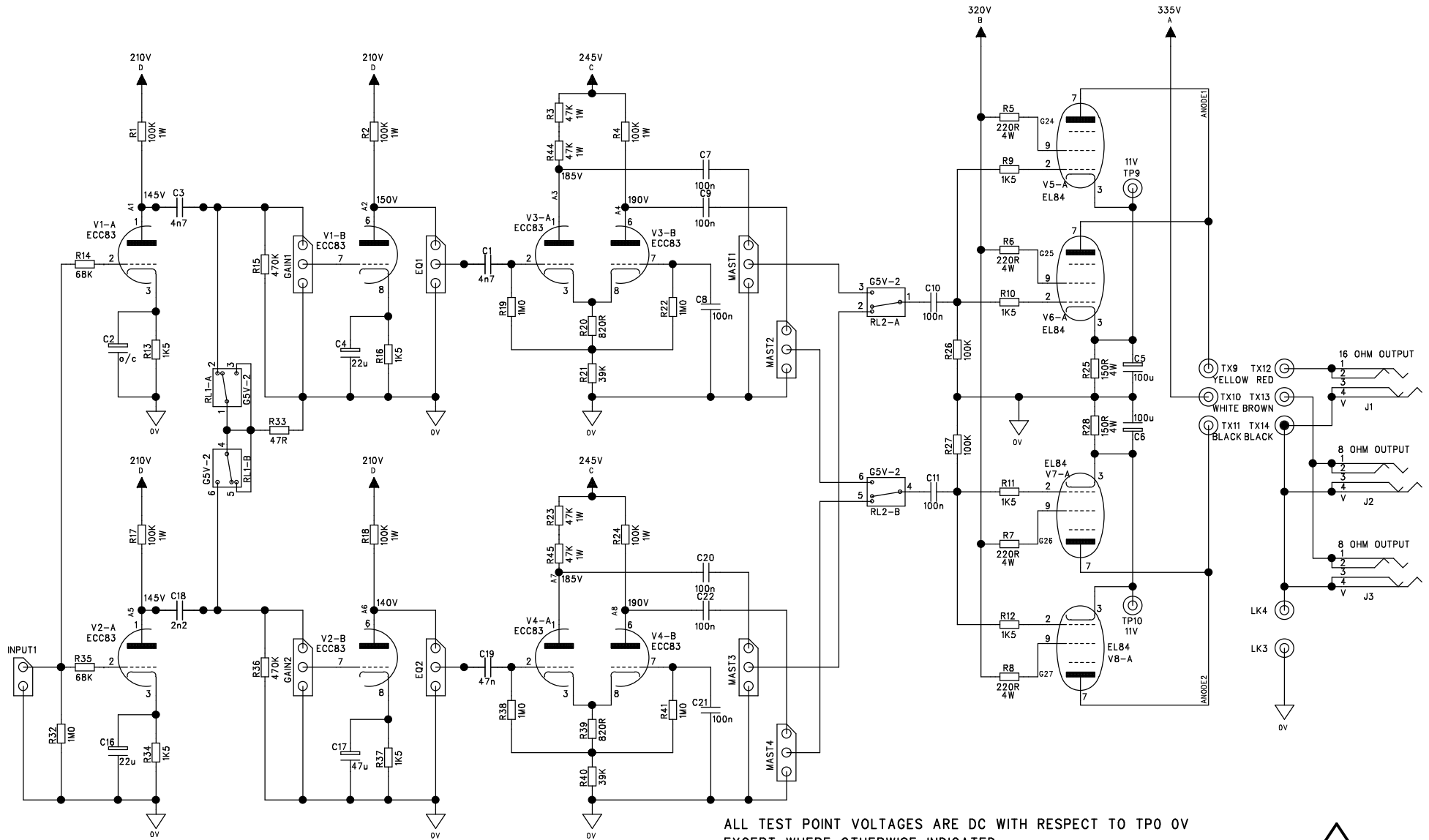


ORANGE AD30 Twin Channel - MAIN BOARD



SHEET 1/2

FOR USE WITH ORN-PC134-2

TITLE	MAIN BOARD	ORANGE Musical Electronic Co. Ltd.
PROJECT	ORANGE AD30	Glenhoven Avenue
DRAWING No	ORA-CD134	Borehamwood WD6 1AY
ISSUE		Great Britain
DATE	19 June 2007	Tel: +44 (0) 20 8905 2828
DRAWN BY	PS	Fax: +44 (0) 02 8905 2868
ORIGINAL CIRCUIT DESIGN BY	Adrian Emsley	info@orangeamps.com

ALL TEST POINT VOLTAGES ARE DC WITH RESPECT TO TP0 0V EXCEPT WHERE OTHERWISE INDICATED TOLERANCE +/- 10%



COMPONENTS USED ARE OF AN APPROVED TYPE AND MUST BE REPLACED ACCORDINGLY