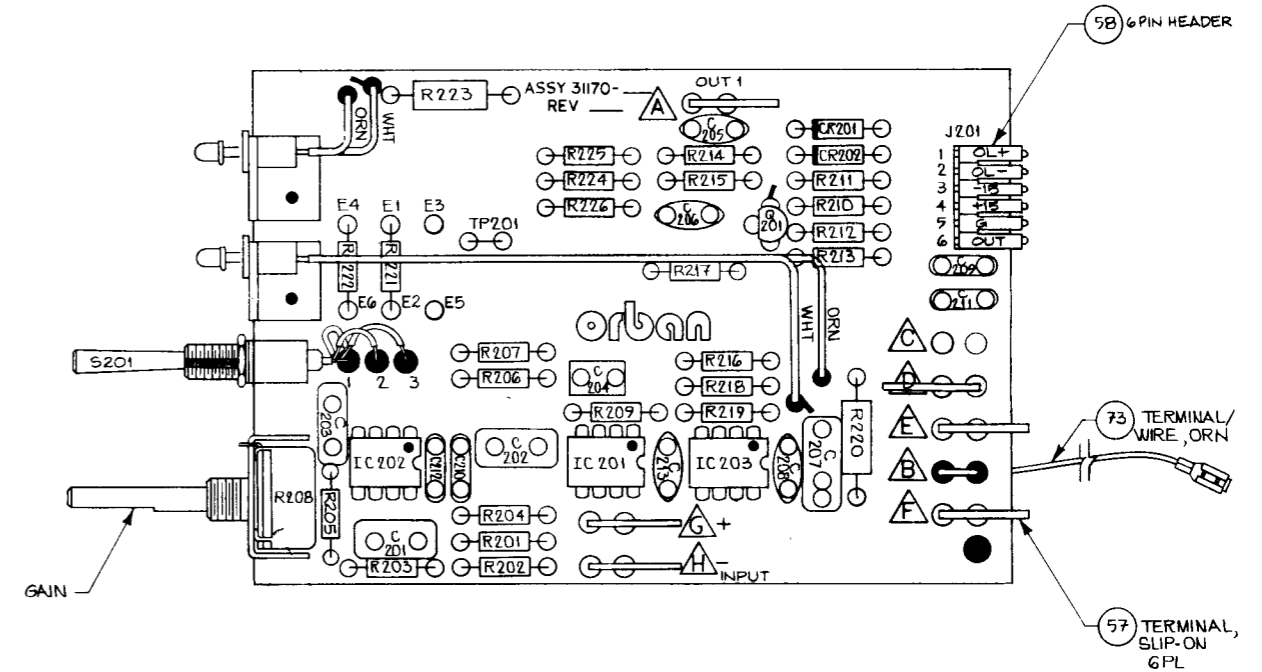


COMPONENT SIDE
VERSION -002
(CHANNEL B)

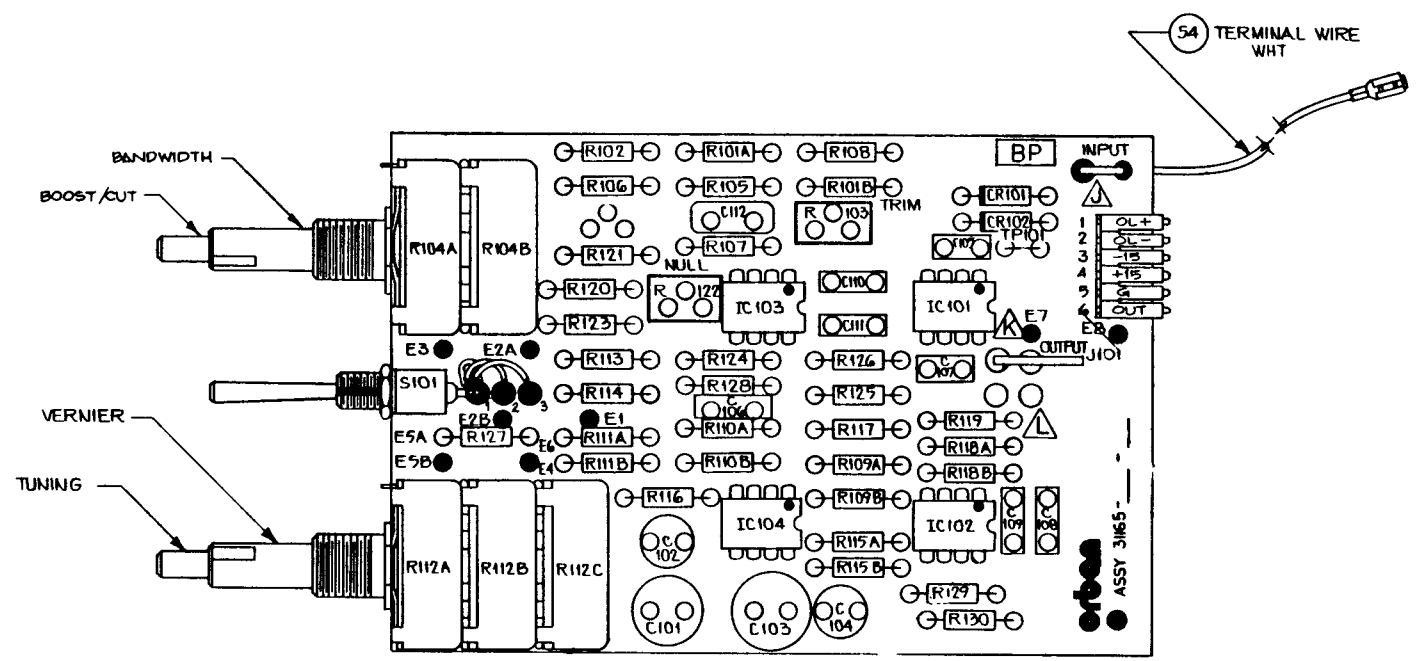


COMPONENT SIDE
VERSION -001
(CHANNEL A)

TIC MARKS INDICATE PIN #1 OF IC'S, PIN #1 OF CONNECTORS, CATHODE OF DIODES, EMITTER OF TRANSISTOR, PIN #1 OF SWITCH.

orban a division of
AKG Acoustics, Inc.

TITLE:
ASSEMBLY DRAWING
INPUT BOARD
31170-000-02



COMPONENT SIDE

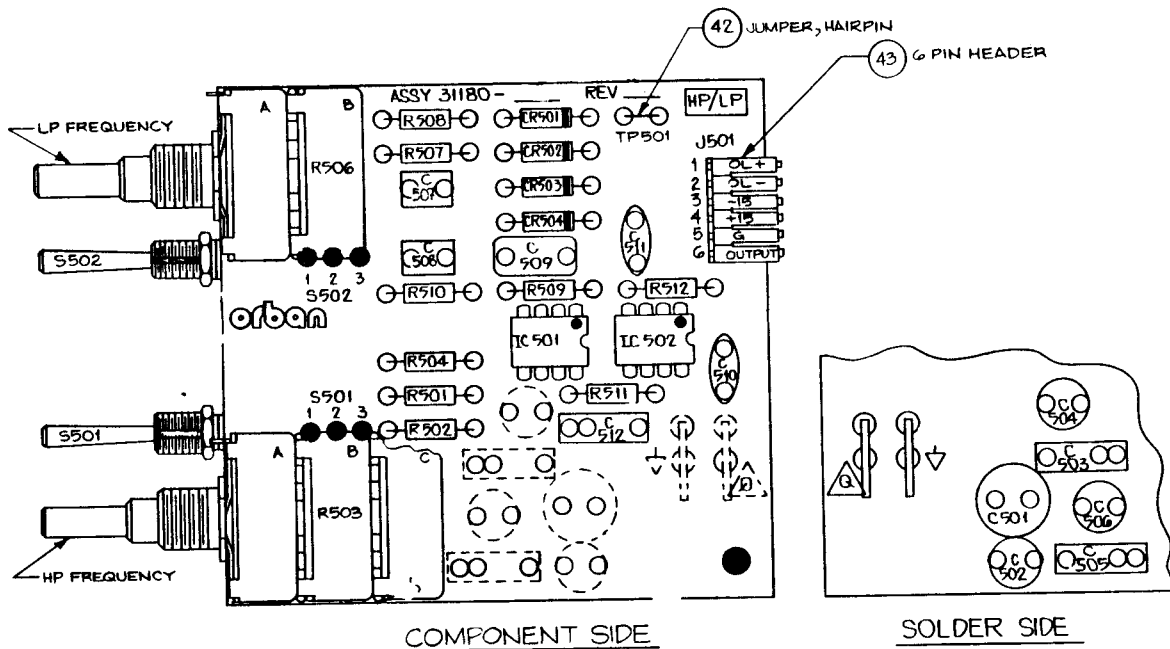
1. TIC MARKS INDICATE PIN#1 OF IC'S,
PIN#1 OF CONNECTORS, CATHODE
OF DIODES, PIN#1 OF SWITCH.

NOTES: (UNLESS OTHERWISE SPECIFIED)

| VERSION CHART | |
|---------------|----------------------|
| -001 | BAND LF 25 - 500 |
| -002 | BAND MLF 80 - 1.6 K |
| -003 | BAND MHF 315 - 6.3 K |
| -004 | BAND HF 1K - 20K |

orban a division of
AKG Acoustics, Inc.

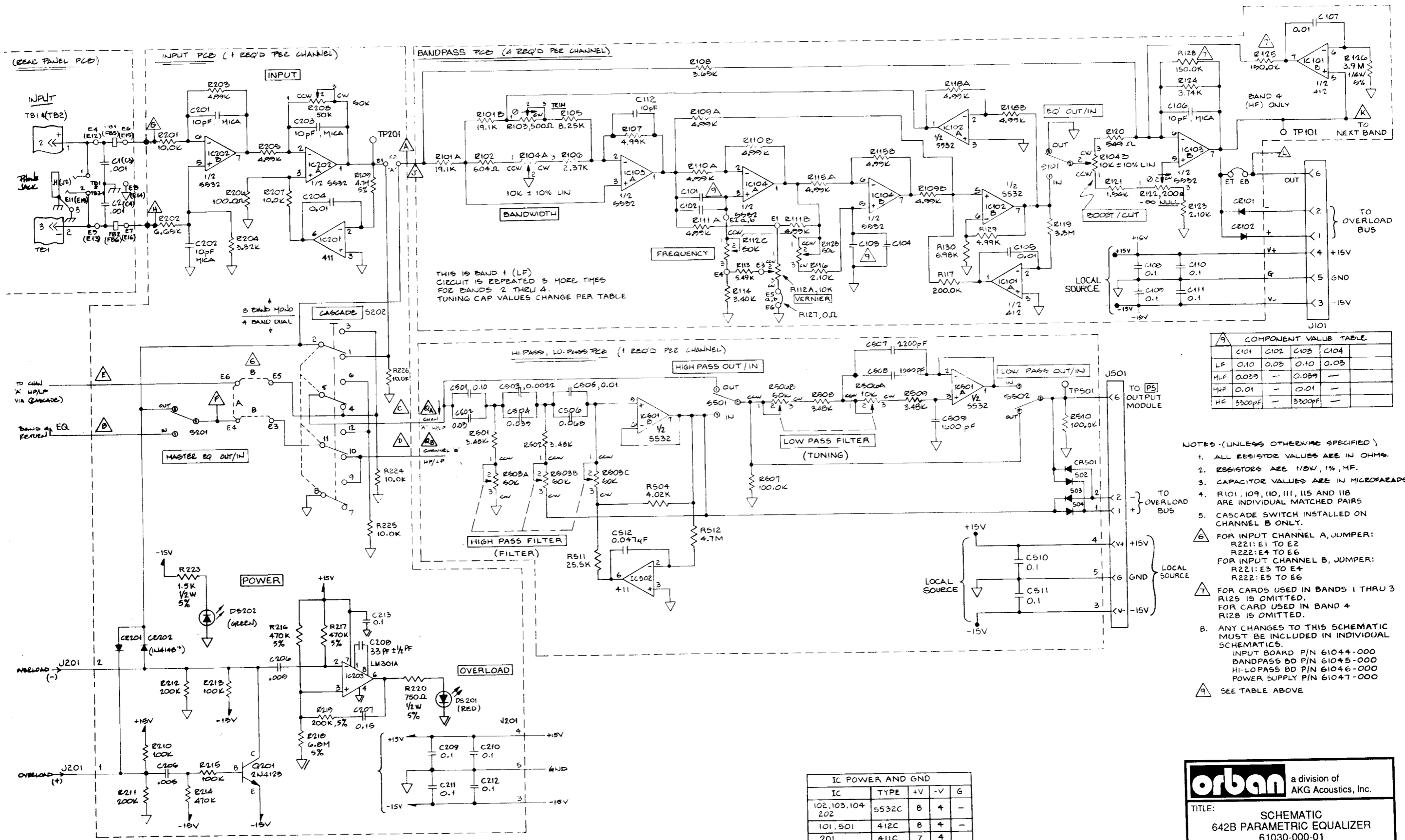
TITLE:
**ASSEMBLY DRAWING
BAND-PASS FILTER BOARD
31165-000-02**



TIC MARKS INDICATE PIN #1 OF IC'S, PIN #1 OF CONNECTORS, CATHODE OF DIODES, PIN #1 OF SWITCH.

orban a division of
AKG Acoustics, Inc.

TITLE:
ASSEMBLY DRAWING
HI-PASS, LO-PASS BOARD
31180-000-04



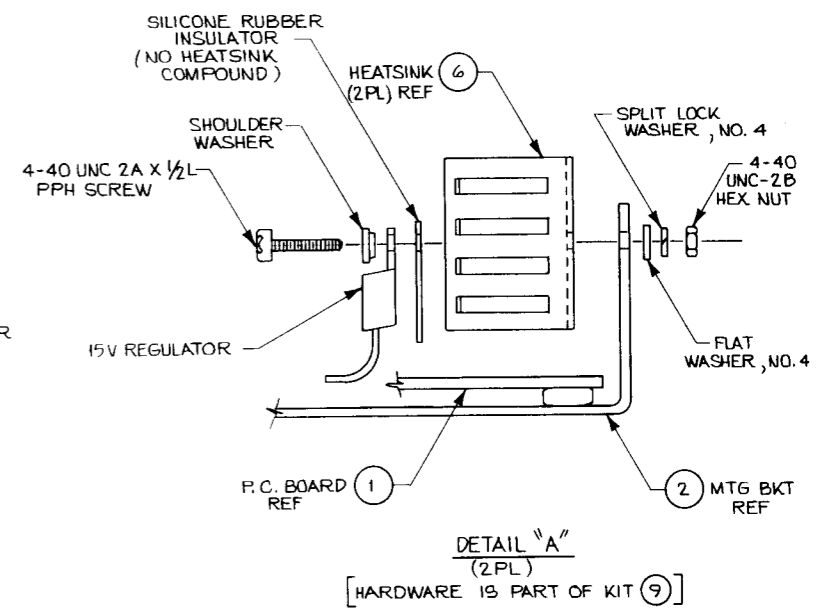
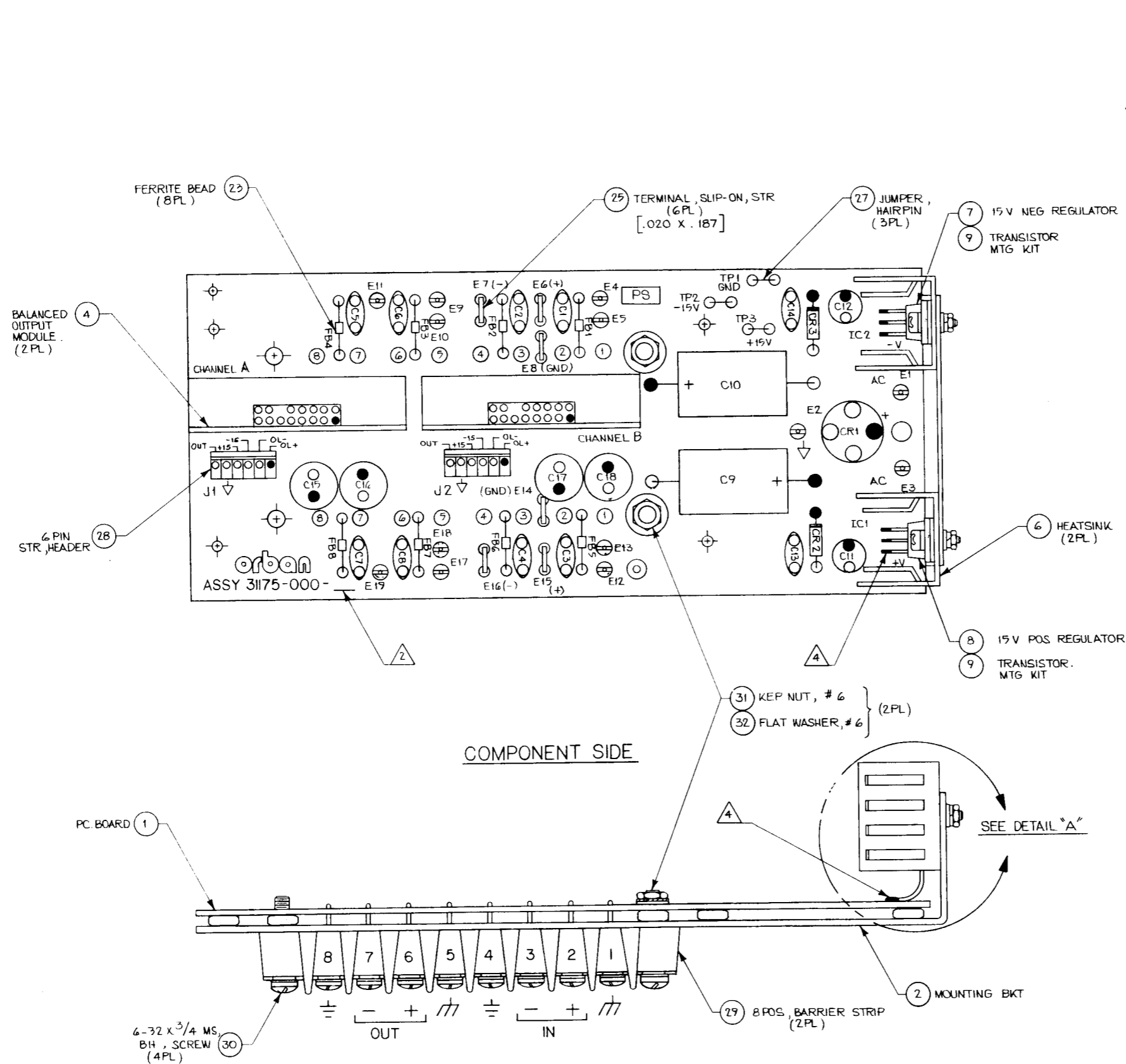
| | C101 | C102 | C103 | C104 |
|-----|--------|------|--------|------|
| LF | 0.10 | 0.03 | 0.10 | 0.03 |
| HLF | 0.039 | - | 0.039 | - |
| MHF | 0.01 | - | 0.01 | - |
| HF | 3300PF | - | 3300PF | - |

- NOTES - (UNLESS OTHERWISE SPECIFIED)
- ALL RESISTOR VALUES ARE IN OHMS.
 - RESISTORS ARE 1/8W, 1% MF.
 - CAPACITOR VALUES ARE IN MICROFARADS.
 - R101, 109, 110, 111, 115 AND 118 ARE INDIVIDUAL MATCHED PAIRS
 - CASCADE SWITCH INSTALLED ON CHANNEL B ONLY.
 - FOR INPUT CHANNEL A, JUMPER: R221: E1 TO E2 R222: E4 TO E6 FOR INPUT CHANNEL B, JUMPER: R221: E3 TO E4 R222: E5 TO E6
 - FOR CARDS USED IN BANDS 1 THRU 3 R125 IS OMITTED. FOR CARD USED IN BAND 4 R128 IS OMITTED.
 - ANY CHANGES TO THIS SCHEMATIC MUST BE INCLUDED IN INDIVIDUAL SCHEMATICS.
INPUT BOARD P/N 61044-000
BANDPASS BD P/N 61045-000
HI-LOPASS BD P/N 61046-000
POWER SUPPLY P/N 61047-000
 - SEE TABLE ABOVE

| IC | TYPE | +V | -V | G |
|---------------|--------|----|----|---|
| 102, 103, 104 | 5532C | 8 | + | - |
| 101, 501 | 412C | 6 | + | - |
| 201 | 411C | 7 | + | - |
| 203 | LM301A | 7 | - | 4 |

orban a division of
AKG Acoustics, Inc.

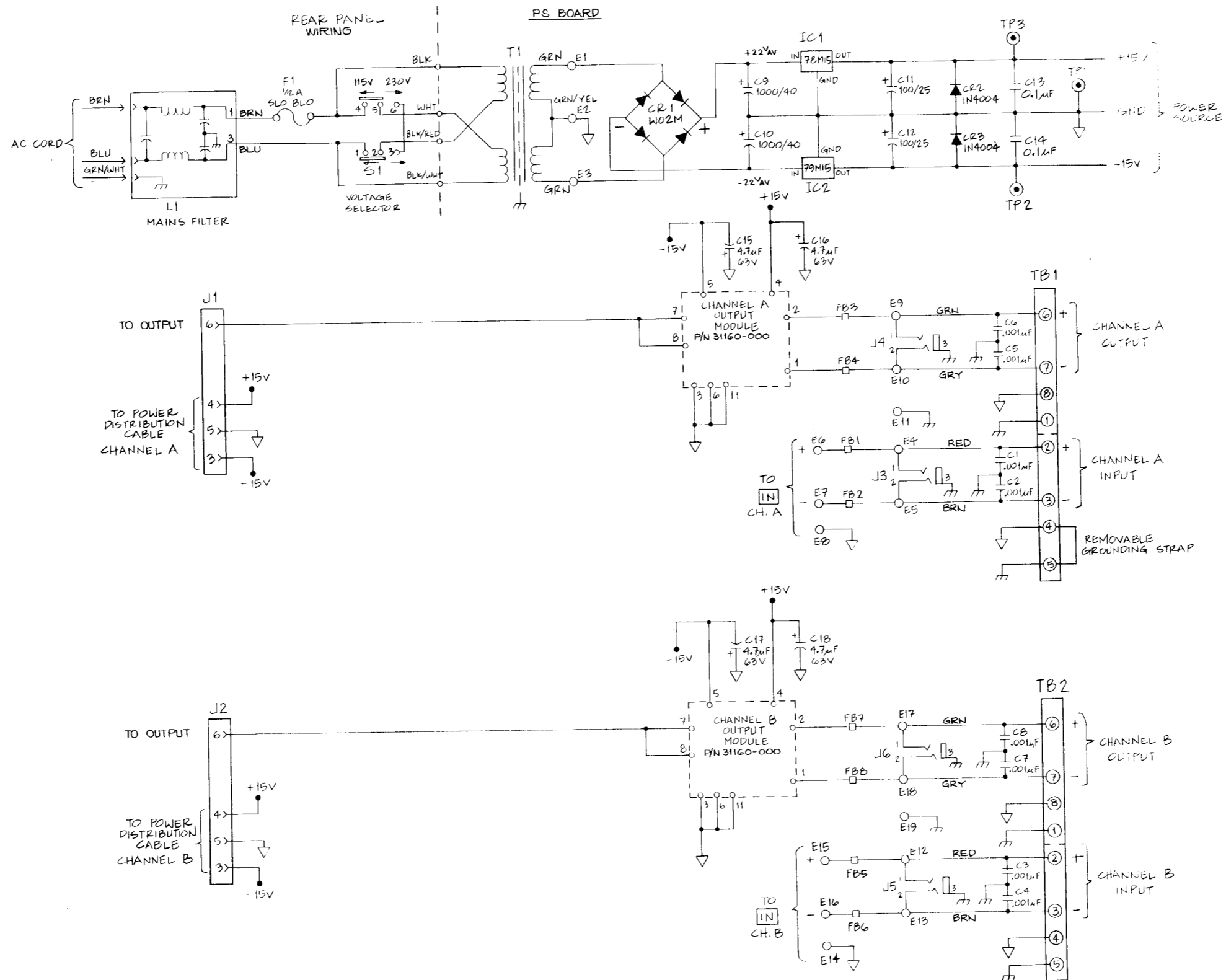
TITLE: **SCHEMATIC**
642B PARAMETRIC EQUALIZER
61030-000-01



- 4. SOLDER IC'S (ITEM 7 & 8) FROM TIP OF LEAD TO ABOUT 1/8" BACK AFTER THEY ARE SECURED TO BRACKET.
 - 3. ATTACH BARRIER STRIPS (ITEM #29); TO MOUNTING BRACKET (ITEM #2); USING 6-32x3/4 SCREWS (ITEM #30); DO NOT TIGHTEN. ASSEMBLE TO REAR PANEL BOARD (ITEM #1); ALIGNING PINS AS NEEDED. THEN ATTACH PCB. LAST, SOLDER LEADS OF BARRIER STRIP TO P.C.B.
 - 2. MARK REV. LEVEL IN SPACE PROVIDED.
 - 1. TIC MARKS INDICATE PIN #1 OF CONNECTORS, CATHODE OF DIODES, PIN#1 OF SWITCH.
- NOTES: (UNLESS OTHERWISE SPECIFIED)

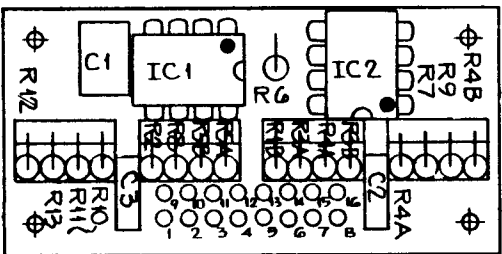
orban a division of AKG Acoustics, Inc.

TITLE: PCA POWER SUPPLY 31175-000-02



orban a division of AKG Acoustics, Inc.

TITLE: POWER SUPPLY BOARD
61047-000-01



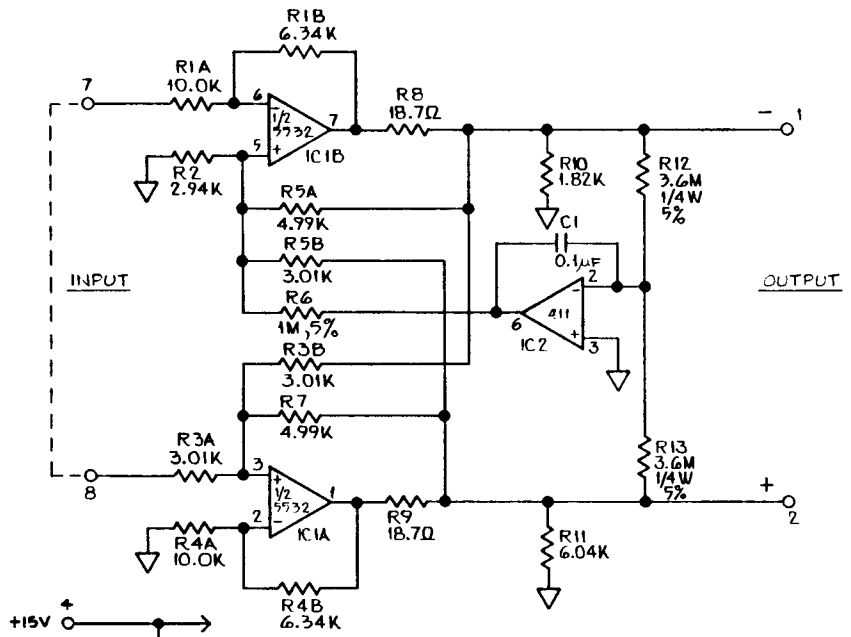
PC ASSY

orban

a division of
AKG Acoustics, Inc.

TITLE:

ASSEMBLY DRAWING
BALANCED OUTPUT MODULE
31160-000-02



| IC POWER PINS | | | |
|---------------|----|----|-----|
| DEVICE | +V | -V | GND |
| 411 | 7 | 4 | - |
| 5532 | 8 | 4 | - |

- 3. ALL CAPACITORS ARE IN MICROFARADS
 - 2. ALL RESISTORS ARE 1/8W, 1% MF
 - 1. PINS 7 AND 8 MUST BE TIED TOGETHER ON MATING P.C. BOARD FOR UNBALANCED INPUT.
- NOTES: (UNLESS OTHERWISE SPECIFIED)

orban a division of
AKG Acoustics, Inc.

TITLE:
**SCHEMATIC
BALANCED OUTPUT MODULE
61031-000-01**