

Section 6

Technical Data

| page | contents |
|------|-------------------------------|
| 6-2 | Specifications |
| 6-9 | Circuit Description |
| 6-9 | Motherboard |
| 6-10 | Analog I/O Card |
| 6-15 | Stereo Encoder Card |
| 6-19 | DSP Cards |
| 6-21 | Control Card |
| 6-23 | Display Board |
| 6-25 | Power Supply |
| 6-25 | Input Filter Board |
| 6-26 | D-Connector Board |
| 6-27 | Parts List |
| 6-28 | Obtaining Spare Parts |
| 6-44 | Vendor Codes |
| 6-45 | Schematics, Assembly Drawings |
| 6-81 | Abbreviations |

Specifications

It is impossible to characterize the listening quality of even the simplest limiter or compressor on the basis of the usual specifications, because such specifications cannot adequately describe the crucial dynamic processes that occur under program conditions. Therefore, the only way to meaningfully evaluate the sound of an audio processor is by subjective listening tests.

Certain specifications are presented here to assure the engineer that they are reasonable, to help plan the installation, and to help make certain comparisons with other processing equipment.

Performance

Specifications for measurements from analog left/right input to stereo composite output and to analog left/right output are as follows:

Frequency Response (All structures, measured below gain reduction and clipping thresholds, high-pass filter off): Follows standard 50 μ s or 75 μ s pre-emphasis curve \pm 0.20dB, 5Hz-15kHz. Analog left/right output can be user-configured for flat or pre-emphasized output.

Noise: Output noise floor will depend upon how much gain the processor is set for (LIMIT DRIVE, AGC DRIVE, TWO-BAND DRIVE, and/or MULTI-BAND DRIVE), gating level, equalization, noise reduction, etc. It is primarily governed by the dynamic range of the A/D Converter, which has a manufacturer-specified overload-to-noise ratio of 97dB. The dynamic range of the digital signal processing is 144dB.

Total System Distortion (De-Emphasized, 100% Modulation): <0.01% THD, 20Hz-1kHz rising to <.05% at 15kHz.<0.02% SMPTE IM Distortion.

Total System Separation: >65dB, 20Hz-15kHz; 70dB typical.

Polarity (PROTECTION, TWO-BAND PURIST or BYPASS Structure): Absolute polarity maintained. Positive-going signal on input will result in positive-going signal on output.

Installation

Analog Audio Input

Configuration: Left and right.

Impedance: 600 Ω or 10k Ω load impedance, electronically balanced, jumper-selectable.

Common Mode Rejection: >70dB at 50-60Hz. >45dB at 60Hz-15kHz.

Sensitivity: -40dBu to +20dBu to produce 10dB gain reduction at 1kHz.

Maximum Input Level: +27dBu.

Connector: XLR-type, female, EMI-suppressed. Pin 1 Chassis Ground, Pins 2 and 3 electronically balanced, floating and symmetrical.

Analog Audio Output

Configuration: Left and right. Flat or pre-emphasized.

Source Impedance: 30Ω , $\pm 5\%$, electronically balanced and floating.

Load Impedance: 600Ω or greater, balanced or unbalanced. Termination not required.

Maximum Output Level: +23.7dBu into 600Ω or greater, balanced load.

Connector: XLR-type, male, EMI-suppressed. Pin 1 Chassis Ground, Pins 2 and 3 electronically balanced, floating and symmetrical.

Digital Input and Output (Optional)

Configuration: Two-channel AES/EBU-standard.

Sampling rate: 32kHz (8200D/32) or 32kHz, 44.1kHz, and 48kHz (8200D/SRC).

Connector: XLR-type, female, EMI-suppressed. Pin 1 Chassis Ground, Pins 2 and 3 transformer balanced and floating.

SCA Subcarrier Input

Configuration: Subcarrier input sums into composite baseband outputs.

Input Impedance: 600Ω .

Sensitivity: 1.0Vp-p for 10% modulation of main carrier.

Connector: BNC, floating over chassis ground. EMI-suppressed.

Composite Baseband Outputs

Configuration: Two (2) outputs, each with independent OUTPUT level control, output amplifier and connector.

Source Impedance: 0Ω voltage source or 75Ω (jumper-selectable), single ended, floating over chassis ground.

Load Impedance: 37Ω or greater. Termination not required.

Level (0Ω Source Impedance, 75Ω or higher Load Impedance): Adjustable 0-8Vp-p with multi-turn OUTPUT LEVEL control.

Connector: BNC, floating over chassis ground. EMI-suppressed.

Maximum Recommended Cable Length (0Ω Source Impedance): 100ft/30m RG-58A/U.
Maximum permitted load capacitance $0.047\mu\text{F}$.

Pilot Reference Output

Configuration: Buffered square-wave reference for RDS or other subcarrier services.

Source: HCMOS logic level output, 0-5V peak.

Connector: On Remote Control Interface. DB-25, EMI-suppressed.

Remote Computer Interface

Configuration: RS-232 and RS-422 interfaces to connect to IBM PC-compatible computers, directly or via modem, for remote control and metering.

Minimum Hardware: 386 computer or compatible with hard disk drive, 4MB RAM, VGA grayscale or color display, DOS 3.3 or higher, Microsoft® Windows™ 3.1 or higher, and Hayes-compatible modem (2400 baud rate, V.42bis data compression).

Optimum Hardware: Pentium® or 486 computer with hard disk drive, 8MB RAM, VGA color display, DOS 5.0 or later, Microsoft® Windows™ 3.1 or later, and Hayes-compatible modem (9600 baud rate, V.42bis data compression).

Connector — RS-232: DB-9, EMI-suppressed.

Connector — RS-422: DB-9, EMI-suppressed.

Remote Control Interface

Configuration: Eight (8) analog or digital inputs. User-programmable to select any eight of: user presets, factory presets, stereo, mono left, mono right, SC1 modulation reduction, SC2 modulation reduction, TX1 overshoot modulation reduction, TX2 overshoot modulation reduction, clock reset, EBS tone, exit test, input analog, input digital.

Voltage: 6-24VAC or DC, momentary or continuous, optically-isolated. Current-Limited 12VDC provided to facilitate use with contact closure.

Connector: DB-25, EMI-suppressed.

Power

Requirements: Switch-selectable on the rear panel, 90-130VAC or 180-260VAC, 50-60Hz; 55VA.

Connector: IEC; detachable 3-wire power cord supplied. AC is EMI-suppressed.

Ground: Circuit ground is independent of chassis ground; can be isolated or connected with a rear panel switch.

Safety Standards: IEC65, UL, CSA.

Dimensions

Dimensions (WxHxD): 19in/48.3cm wide, 7in/17.8cm high, 15in/38.1cm deep. 4 rack units.

Environmental

Operating Temperature Range: 32-122°F/0-50°C

Humidity: 0-95% RH, non-condensing.

Setup and Operation

Help Features

HELP Button: Available at all times. Push HELP, and a message will tell you what you are looking at on the screen, what can be done and how to do it. Press each button and the message will tell you the function of that button.

System Setup (I/O CALIB)

Function: Initial setup.

Controls: Studio chassis yes/no (defeats AGC), Pre-emphasis 50 μ s or 75 μ s, meter select VU or PPM, analog input clip level, analog input reference level, analog input balance, analog outputs flat or pre-emphasized, analog output level, input meters indicate ref/clip, modulation type, pilot on/off, clock sync to AC line/crystal, reduction of modulation for SC1 ON, reduction of modulation for SC2 ON, reduction of modulation for OSHOOT TX1 ON, reduction of modulation for OSHOOT TX2 ON; if Digital I/O is present: input A or D, digital input ref level.

Quick Setup

Function: Guided screen-by-screen setup for all required setup adjustments.

On-Screen Metering

Metering can be switched to indicate gain reduction (G/R) or input/output levels (I/O).

Gain reduction (G/R): Shows gain reduction of AGC, compressors, high-frequency limiters, and gate on/off, as appropriate to the programmable processing structure selected.

Input/Output (I/O): Left input (dB), right input (dB), left output (dB), right output (dB), composite output (% modulation).

Pilot: 7.5-10%, in 0.5% steps.

Preset Programming

Function: Save processing settings for recall from the front panel, by remote control, by remote computer or by Automatic Preset Switching.

Number of User Presets: 32.

Test Presets

BYPASS preset: No processing; audio is digitized and low-pass filtered only. Adjustable gain (-18 to +15dB).

TONE Preset: Frequency programmable 30Hz-15kHz. Level programmable 0-121% total modulation. Modulation type (L,R, L+R, L-R, MONO L, MONO R), Pilot ON/OFF.

Automatic Preset Switching

Function: Changes presets on a programmed event schedule.

Programming: Date (specific date, time, function) or daily (specific day or days of the week, time, function).

Events: Up to 99 events.

Pascode Security

Function: To prevent unauthorized adjustment of controls by persons without pascodes.

Number of Pascodes: 10.

Access: Each Pascode can be programmed to permit or deny access via front panel or computer to RECALL PRESET, RECALL TEST PRESETS, MODIFY PROCESSING, OBSERVE METERS and PRESET NAMES, PROGRAM AUTOMATION (Automatic Preset Switching), PROGRAM SYSTEM SETUP and PROGRAM SET PASCODE.

Remote Control with Orban 8200PC Remote Control Software

Metering: Same as On-Screen Metering, above.

Control: All user-adjustable processing parameters, Preset functions and System Setup.

Circuit Characteristics

Analog-To-Digital Converter

(A/D Converter subject to change as technology improves.)

Device: Analog Devices AD1879.

Performance: >97dB dynamic range (overload-to-noise ratio).

Digital Signal Processing

Device: Motorola DSP56001.

Performance: 24-bit processing. 144dB internal dynamic range.

Digital Input Conditioning

Subsonic Filter: Switchable in/out third-order Chebychev with 30Hz cutoff and 0.5dB pass-band ripple; -0.5dB @ 30Hz, -10.5dB @ 20Hz, -31.5dB @ 10Hz.

Time Dispersion Network: All-pass network to make speech more symmetrical to reduce processing distortion. (Normal Two-Band and Multi-Band structures only.)

Digital Output Conditioning

Passband Response: Typically +0, -0.26dB to 15kHz.

Stopband Rejection (Referenced to 100% Modulation): To reduce spectrum in stereo composite baseband above 57kHz to <-75dB.

Digital-To-Analog Converter

Device: Analog Devices AD1864.

Performance: 18-bit. 4X oversampled output. Linear-phase reconstruction filters.

Pilot

Frequency: 19kHz.

Stability: ±0.005%. See "Ultrastable Pilot" on page 1-9.

Injection: Adjustable, 7.5-10%.

Stereo Baseband Encoder

(Test signals applied to analog inputs of stereo baseband encoder.)

Noise (De-Emphasized, Referenced to 100% Modulation): $< -100\text{dB}$, 20Hz-15kHz.

Distortion (De-Emphasized, 100% Modulation): $< 0.006\%$ THD, 20Hz-15kHz; $< 0.010\%$ SMPTE Intermodulation Distortion.

Stereo Separation: $> 65\text{dB}$, 20Hz-15kHz; 70dB typical.

Crosstalk — Linear (Referenced to 100% Modulation): $< -80\text{dB}$, main channel to sub-channel or subchannel to main channel.

Crosstalk — Non-linear (referenced to 100% modulation): $< -80\text{dB}$, main channel to sub-channel or subchannel to main channel.

38kHz Subcarrier Suppression (Referenced to 100% Modulation): $> 70\text{dB}$; 75dB typical.

76kHz and Sideband Suppression (Referenced to 100% Modulation): $> 70\text{dB}$.

CIT25 Composite Isolation Transformer

Ground loops are a problem in some transmitter plants. A ground loop among OPTIMOD-FM and one or more exciters may occur, causing an increase in hum and noise. This is especially likely when OPTIMOD-FM is installed some distance from the exciter.

The Composite Isolation Transformer provides the solution. Designed to be installed adjacent to each exciter, it provides ground isolation between the OPTIMOD-FM composite output and the exciter, and presents OPTIMOD-FM with a balanced floating load.

Performance

Frequency Response: $+0.01, -0.03\text{dB}$, 30Hz-53kHz.

Group Delay: Deviation from linear phase $< \pm 0.3^\circ$, 30Hz-53kHz.

Separation: $> 50\text{dB}$, 50Hz-15kHz.

Gain: Adjustable from full attenuation to 0dB.

Installation

Location

Location : As close to FM exciter as practical.

Interconnect Between OPTIMOD-FM and Transformer

Interface at OPTIMOD-FM: Adapter cable, BNC male to 3-pin XLR-type male cable connector supplied.

Cable: Two-conductor foil-shielded audio cable, Belden 8451 or equivalent. Maximum length 100ft/30m, user-supplied. 3-pin XLR-type male and female cable connectors supplied.

Composite Baseband Input

Connector: 3-pin XLR-type female. Pin 1 capacitively-coupled to chassis ground, Pins 2 and 3 transformer balanced, floating and symmetrical.

Maximum Level: 4Vp-p.

Composite Baseband Output

Connector: BNC, shell insulated from chassis ground.

Interconnect Between Transformer and Exciter

Maximum Recommended Cable Length: 6ft/1.8m RG-58A/U cable or similar, to avoid excessive RF pick-up on cable. 2ft/.6m cable supplied.

Exciter Input: 1k Ω or greater; 100pF or less. Replace 50 Ω or 75 Ω termination resistor, if present, with 1k Ω resistor, supplied.

Dimensions

Dimension: 7in/17.8cm wide, 3in/7.6cm high, 1.72in/4.4cm deep.

Warranty

One Year, Parts and Labor: Subject to the limitations set forth in Orban's Standard Warranty Agreement.

Specifications subject to change without notice.

Circuit Description

This section provides a detailed description of each circuit used in the 8200. It starts with an overview of the 8200 system, identifying all the circuit boards and describing their purpose. Then each board is treated in detail by first giving an overview of the circuits followed by a component-by-component description.

1. Overview

The 8200 has 9 types of circuit boards: Mother, Analog I/O, Stereo Encoder, DSP (digital signal processing), Control, Display, Power Supply, Input Filter and D-Connector.

The block diagram on page 6-46 illustrates the following overview of 8200 circuit boards.

The Motherboard contains no active circuitry and serves only to connect all the other boards together properly.

The Analog I/O Card provides the circuitry to interface the analog audio inputs and outputs to the digital processing.

The Stereo Encoder Card generates the composite output signal.

The DSP Cards implement the audio processing using digital signal processing. The 8200 has slots for four DSP Cards. The base unit is shipped with two DSP Cards. The Multi-Band structure requires a third board. A fourth slot is provided for future options.

The Control Card administrates control of the 8200 system.

The Display Board provides circuitry for the LCD display, push buttons, front panel knobs.

The Power Supply Board provides power for all 8200 boards.

The Input Filter Board provides the connectors and RF filtering for the left and right audio inputs and outputs, the digital audio input and output, the two composite outputs, and the SCA input.

The D-Connector Board provides the connectors, RF filtering, and circuitry for the remote control inputs, RS-232 interface, and RS-422 interface.

Motherboard

The Motherboard is used to connect all parts of the 8200 system together. Only connectors are mounted to it. It is a four layer board with nearly all signal traces on the outer two layers. The inner layers contain ground and power connections.

Under no circumstances should you try to replace any components on this board. Soldering or desoldering can permanently damage the inner layers and ruin the board.

Analog I/O Card

1. Overview

The Analog I/O Card provides the circuitry to interface analog audio to and from the DSP Cards. The input buffer scales the input audio level to match it to the audio processor. The analog-to-digital (A/D) converter converts the analog input audio to digital audio. The digital audio is transmitted to the DSP Cards. The DSP Cards transmit the processed digital audio output back to the Analog I/O Card. The digital output audio is converted to an analog signal by the digital-to-analog (D/A) converter. The low-pass reconstruction filters remove high frequency images from the D/A converter output and feed the output buffer. The output buffer is made up of a programmable gain amplifier, a programmable time constant de-emphasis filter, and a balanced output buffer. The board also provides logic circuitry to generate the system sample rate clocks and interface the board to the Control Card and DSP Cards.

2. Input Buffer

The signal enters the input buffer in balanced form. It comes from the Input Filter Board via the Motherboard. The signal is applied to a resistor load and a resistor pad. The pad and the load are enabled or disabled by jumpers that are positioned by hand. The loaded and padded signal is applied to a balanced amplifier that has an adjustable gain. The gain is set by FET transistors and analog switches. The state of the FETs and switches is set by the outputs of a latch. The Control Card controls the gain according to what the user specifies from the front panel controls by writing data to the latch. The balanced amplifier output feeds a servoed buffer which feeds an RC low-pass filter applying the signal to the analog-to-digital converter.

Component-level description:

The balanced audio input signal is applied to the pad and load network made up of R200, R203, R204 and R205-7. JA is a jumper that removes or inserts a 600 Ω termination load on the input signal. JB is a jumper that removes or inserts a resistive divider that pads the input signal before being applied to IC15, a balanced amplifier. R215-222, FETs Q202-203, and IC14, a quad analog switch, make up the circuit that sets gain of IC15. The FETs are used as switches along with IC14 to change the resistive paths in the circuit. The state of the FET switches is set by the outputs of IC19, a digital latch. The latch outputs feed IC7, a quad comparator, which outputs 0V to turn on a FET and -15V to turn off a FET. The Control Card writes data directly to IC14 to control the state of the switches on IC14. IC8 and IC9 buffer and gain-scale the signal prior to its application to the A to D converter.

3. Analog-to-Digital Converter (A/D)

The A/D is a single chip, stereo, 18-bit sigma-delta type converter. The A/D oversamples the audio at 2.048MHz. It applies noise shaping, then it filters and decimates to a 32kHz sample rate. The samples are output in twos complement format and transmitted to the DSP Cards.

Component-level description:

The right analog input is applied to pin 13. Pin 26 is a 8.192MHz clock input used by the chip to oversample the input. Pins 3 and 25 place the A/D in its slave mode allowing it to run from an external bit and L/R clock. Pin 27 is the serial data output. Both the left and right samples are multiplexed on to it and synchronized to the 2.048MHz clock. The left sample starts on the rising edge of the L/R clock.

4. Digital-to-Analog Converter

The D/A is a single chip, stereo, 18-bit resistor ladder type. It has two synchronous serial inputs that receive the left and right audio samples from the DSP Cards. A NAND gate outputs a signal to clock the data in. A 128kHz clock signal controls the timing of when the output switches between analog sample output voltages.

Component-level description:

IC39 is the digital-to-analog converter. Pins 15 and 10 are the left and right serial data inputs from the DSP Cards. Pin 12 is a gated 6.75MHz clock input from the DSP Cards that clocks in the serial data. Pins 11 and 14 receive a 128kHz clock input. Pins 17 and 8 are the left and right voltage outputs. The voltages change to the current sample value on the falling edge of the 128kHz clock. A full scale output is approximately 3.0 Volts peak. IC40 is a NAND gate that processes the bit clock and word clock supplied by the DSP Cards.

5. Reconstruction filter

The reconstruction filter is a 5th order elliptic filter with 90dB stopband attenuation at 113kHz. It filters the ultrasonic energy “images” present at the D/A output. There are two filters, one each for the left and right signals.

Component-level description:

The reconstruction filter is an active RC analog of a passive LC ladder filter, realized by resistors, capacitors, and frequency-dependent negative resistors (FDNRs). An FDNR is realized with a dual opamp, three resistors, and two capacitors. When the passive LC filter is transformed into an active RC filter, inductors become resistors, resistors become capacitors, and capacitors become FDNRs.

Each FDNR resonates with a series resistor to create a notch in the frequency response of the filter. This is analogous to a series LC circuit to ground. The notches are located in the “stopband” (beyond 15kHz).

The frequency response of the filter CANNOT be measured by applying a swept sine wave at the 8200 analog inputs. This is because the filter has bandwidth much larger than the analog-to-digital converter. The analog-to-digital converter band limits the input to 16kHz. To test the filter response, see step 3, page 4-23.

6. Output Buffer

The output buffer buffers the output of the reconstruction filters in three stages. The first stage of the output buffer is an inverting amplifier with gain programmable by the Control Card. The second stage is a programmable de-emphasis filter. The de-emphasis response is controlled by JFET switches. The third stage is a balanced floating line amplifier. It has a $30\Omega, \pm 5\%$ output impedance.

Component-level description:

The first stage is a programmable gain inverting amplifier formed by R170, R171, C132, IC12 and IC5a. IC12 is an 8-bit MDAC, which is a resistor ladder with a programmable resistance. The Control Card writes an eight-bit word to the chip which has a latch on board to store the value and set the resistance. The resistance determines the gain. The output at pin 1, IC5a feeds the second stage, a programmable de-emphasis filter. It is formed by IC5b, Q102, Q103, and the associated resistors and capacitors. Q103 and Q102 are JFET transistors used to switch C127 or C126 in or out of the circuit. If none of the JFETs are on, the circuit is a unity-gain inverting amplifier. With capacitor C127 in circuit, it becomes a first-order low-pass filter with a $75\mu\text{s}$ time constant. With capacitor C126 in circuit, it becomes a first-order low-pass filter with a $50\mu\text{s}$ time constant. The fourth stage is a balanced floating line amplifier formed by IC6 and IC13. The 412 opamp used in the balanced output module is a low-offset servo amplifier which centers the average DC level at the (+) and (-) outputs of the module around ground. The floating characteristic is achieved by complex cross-coupled positive and negative feedback between two 5532 opamps, and its operation is not readily explainable except by a detailed mathematical analysis. Opamps may be replaced; resistors are specially matched and should not be replaced.

7. Logic Circuitry

The Control Card reads and writes data from and to the Analog I/O Card. The control logic section decodes the address lines and enables the proper latch to be read from or written to.

Component-level description:

IC37 compares the slot address hard-wired into the Motherboard with the address lines A8-11. If the address lines match the slot address, IC37, pin 6 is asserted and partially enables the address decoder IC28. The address bits A3-5 feed IC28 to select one of eight output signals to assert low. The eight outputs are used to select various devices that the Control Card reads from and writes to. The output buffer MDACs and the input buffer's analog switches and latch require further decoding to be selected. This is accomplished by IC27, a three-to-eight decoder.

8. Clock logic

A crystal oscillator provides the timing reference for all signals related to the system sample rate. Divider circuitry produces the various signals used by the system. Logic is used to gate the sample rate clocks and serial input data. A latch provides for the control of a variety of functions.

A crystal oscillator circuit generates an 8.192MHz clock that provides the reference for all signals related to the sample rate of the system. The 8.192MHz is first divided by two to 4.096MHz. The 4.096MHz signal feeds the A/D, which divides that by two and produces a 2.048MHz clock. The 2.048MHz clock is divided further to generate the 128kHz, 64kHz, and 32kHz signals. Those signals are inverted to make the signals 128kHz and 64kHz. The signals 32kHz, 64kHz, and 128kHz are gated and buffered to make the signals 1 x frameclock, 2 x frameclock, and 4 x frameclock. These signals are gated “on” at the rising edge of the 128kHz signal just prior to the falling edge of the 32kHz signal. This is necessary because any one of these signals can be used by the DSP Cards to generate interrupts on a falling edge and the first interrupt must occur simultaneously with all DSP chips. The 64kHz signal is also gated to make the signal IFRAME. IFRAME marks the start of sample words transmitted from the A/D to the DSP Cards. It is gated “on” so that two words of data are transmitted to the DSP Cards before they start processing.

Component-level description:

Y1, IC33a, and IC33b make up an 8.192MHz square wave oscillator. IC35a divides it to 4.096MHz. The A/D chip, IC20, divides it by two to 2.048MHz which feeds IC34. IC34, IC32, and IC31 are set up as dividers and produce clock signals down to the sample rate, 32kHz. IC41 and IC42a are used to create two control signals that drive IC43, a quad “AND” gate. The “AND” gates act as switches for signals that drive the DSP Cards. IC36 is a 74HC244 buffer that connects the sample rate clocks and the serial input data to the DSP Cards. The buffer is enabled by bit 2 of latch IC30. The Control Card writes to this latch and clears the bit if it selects the Analog I/O Card as the source of sample rate clocks and input data. IC30 also provides control of other circuits. Bit 1 is set high to start a DSP algorithm. Bit 3 is set high to select a 50 μ s de-emphasis. Bit 4 is set high to select a 75 μ s de-emphasis. Bit 7 is set high to select J.17 de-emphasis. Bit 8 is set high to calibrate the A/D chip.

Stereo Encoder Card

1. Overview

The 8200 Stereo Encoder Card combines the left and right processed audio signals into one composite signal. A single composite signal is needed to feed an external FM exciter for FM broadcast.

The composite signal is made up of four elements. The first two are the main channel and the subchannel. The main channel is the L+R baseband signal. The subchannel is the L-R signal, double-sideband suppressed-carrier modulated with a 38kHz subcarrier frequency. The third is the pilot tone. It is a 19kHz sine wave in phase with the 38kHz subcarrier. The fourth is the optional SCA subcarrier which must be generated externally with an SCA generator and connected to the 8200's SCA input.

There may be more than one SCA subcarrier in the frequency range of 57 to 100kHz in the baseband. For example, there might be a 57kHz subcarrier for digital paging or RDS, a 67kHz subcarrier, and 92kHz subcarrier.

The main channel, the subchannel, the pilot tone, and the SCA are added to form the composite signal. Two output buffers with separate level controls provides two composite outputs.

The subchannel would ideally be produced by an ideal multiplier circuit that multiplies the L-R signal by a 38kHz sine wave. The 8200's Hadamard-Transform Stereo Baseband Encoder closely approximates an ideal multiplier by a switching technique. The L-R signal is passed through two analog switches whose outputs are summed together. These switches are turned on and off by pulse trains produced by a Read Only Memory (ROM). The ROM controls the switches so that all harmonics of 38kHz prior to the 7th harmonic are cancelled. By comparison to a conventional switching modulator, performance requirements of the output low-pass filter (to remove harmonics above 98kHz) are greatly eased, and excellent separation and spurious rejection can be obtained from a relatively modest filter.

The stereo pilot tone is generated by multiplying a DC voltage by three individual pulse trains from the ROM with three analog switches. Harmonics up to the 14th are cancelled. The resulting waveform is passed through the same low-pass filter as the stereo subchannel, ensuring correct phasing between the pilot tone and stereo subcarrier. JFET switches driven by CMOS logic are controlled by the Control Card. The switches alter the circuitry to facilitate stereo/mono mode switching and to provide the two "test" modes, main-channel-to-subchannel crosstalk and subchannel-to-main-channel crosstalk.

2. Stereo Modulator

The L and R signals are applied to a differential amplifier, which produces the L–R signal. The L–R signal is applied to a buffer amplifier. This amplifier has a DC servo that eliminates virtually all the DC offset that might have accumulated in earlier circuitry. (DC offset must be eliminated because it otherwise translates into loss of subcarrier suppression after modulation.) The L–R buffer output is applied to two analog switches, which modulate the L–R signal by the subcarrier.

The L and R signals are summed together to form the L+R signal. The L+R signal is summed with the L–R signal and servoed. This servo forces the DC at the outputs of the analog switches to be equal to zero, further reducing any subcarrier leakage. A separation control adjusts the amplitude of the L+R signal, permitting the L+R and L–R to be mixed with equal gains, thus maximizing separation.

The analog switches effectively multiply their inputs by +1 or 0, depending on whether the switches are on or off. Thus, the L–R signal is multiplied not only by the subcarrier, but also by an average DC voltage. Therefore, a substantial undesired baseband L–R component appears at the output of the analog switches. This is cancelled by mixing L–R that is out-of-phase into the output of the switches. The sub-to-main crosstalk trimmer maximizes cancellation.

Equal (+) and (–) DC voltages are applied in parallel to three pairs of analog switches to generate the pilot tone. The amplitude of the pilot tone is determined by the DC voltage level. The pilot tone is turned off by reducing the DC voltage to zero.

High order harmonics generated in the switching process are eliminated by a fifth-order passive elliptic filter followed by a group delay corrector. The corrector group delay is adjusted with the 15kHz separation trimmer to maximize overall separation. Separation of 70dB is theoretically possible with this filter design.

The filter output is applied to two power buffers each capable of driving two 75Ω loads in parallel. The external SCA input is mixed into these buffers.

Component-level description:

The L and R signals are applied to differential amplifier IC1a. This produces the L–R signal which is buffered by IC1b. IC3a is a DC servo to remove DC offsets. CR1 and CR2 are clamping diodes to protect the analog switch IC10 from being driven beyond its $\pm 5\text{V}$ range. In mono mode the switching signals S0 and S1 stay at 0V and thereby turn off the subchannel.

IC8a and IC8b provide (+) and (–) reference voltages for the pilot tone generator. These voltages are applied to analog switches within IC11 and IC12. When mono mode is selected, the “PILOTEN” signal at R48 changes from +5VDC to 0V and the pilot reference voltage is reduced to 0V. The pilot switching waveforms P0, P1, P2, and P3 applied to IC11 and IC12 are also removed in mono mode. The L and R signals are summed by inverting amplifier IC2a. The JFET Q9 is “on” in stereo mode and the amplifier has unity gain. In mono mode, Q9 turns off and the

amplifier gain increases by 6.9dB to use modulation headroom otherwise used by the subchannel and the pilot. JFETs Q2 and Q3 select the left or right signal as the source in mono mode. The output of IC2a is summed with the L–R signal by inverting amplifier IC2b. R37 adjusts the L+R gain to maximize separation. R35 adjusts the gain of the L–R signal to minimize sub-to-main crosstalk. IC4a is a DC servo that prevents DC from appearing at the outputs of analog switches IC10, IC11, and IC12.

L1, L2, C6-C11, and C25 form a passive fifth-order elliptic filter with a cutoff frequency of approximately 70kHz. This is buffered by non-inverting amplifier IC5 and applied to all-pass group-delay corrector IC6.

The stereo modulator output and externally generated SCA signal are summed into two separate output buffers. The first is made up by IC15 and IC16. IC16 is a special high slew rate power buffer which is located within the overall amplifier feedback loop. It isolates IC15 from the destabilizing effects of capacitive loads and also permits 75Ω loads to be driven without degradation. This line driver will drive up to 1.5V peak into 0.047μF in parallel with 37.5Ω before significant nonlinear errors (increases in spurious components as observed on a baseband spectrum analyzer) or linear errors (noticeable deterioration of baseline flatness at 15kHz in the separation test mode) are apparent. Output level is adjusted by varying the feedback resistor R66. The second output buffer made by IC26 and IC27 is functionally identical to the one just described.

3. Switching Waveform Generator

A crystal oscillator generates a clock signal that is divided to a lower frequency, which drives a counter. The counter addresses a Read Only Memory (ROM). The ROM's data outputs drive the analog switches synchronized to the subcarrier.

Component-level description:

Y1, IC24a, and IC24b form a 4.864MHz square wave oscillator. IC23a and IC23b divide this clock down to 1.216MHz which drives IC22, a dual binary counter. The four least significant bits of the counter output form an address for ROM IC31. The address counts from 0000B to 1111B and is then reset back to 0000B to repeat the process. The counter only provides half the word that addresses the ROM. The other four are provided by half the outputs of IC17, a latch. The Control Card writes to this latch. The four bits address different blocks of the ROM and control whether the pilot and subcarrier are on. IC18 (a latch) buffers the ROM data output and ensures that the signals appearing at the output are changing state in precise synchronism with the clock edges. This ensures high spectral purity of the subcarrier and pilot tone.

4. Mode Switching Logic

The 8200 Stereo Encoder operates in several modes. These modes are changed by altering the circuitry with a mechanical switch and various JFET switches. The microprocessor operating system sets the mode based upon three things: the state of the mechanical switch, the remote control interface status, and selections made by the user through the operating system. The 8200 Stereo Encoder has a manual switch that switches between three operating modes: operate, sub-to-main crosstalk, and main-to-sub crosstalk. The two latter are used only when making stereo performance verification measurements. When in the “operate” mode, there are three sub-modes possible: stereo, mono left, or mono right. These are changed by the remote control interface or by the user’s selecting the sub-mode from the front panel operating system. Table 1 shows the state of each JFET switch in the system under all the operating modes and sub-modes.

Component-level description:

Switch S1a switches the right input to the sum and difference amplifiers IC1a and IC2a. The other half of the switch, S1b, switches one pole to 0V and leaves the other two poles to be pulled up to +5V. The Control Card reads the state of these three signals through the buffer IC21. That way, the Control Card knows which mode the user is selecting and can control the JFET switches properly. The Control Card sets the JFET switches by writing to latch IC17. The logic level outputs of IC17 drive the comparators on IC13 and IC14. The comparators’ outputs are 0V or –15V to turn the JFET switches on or off, respectively. A +5V signal output from IC17 makes the comparator output –15V and thus turns the JFET switch off.

Table 1: JFET Switch States (Under Operating Modes and Sub-Modes)

| | | LFET | RFET | LGAIN | SUM FET | STM FET | DIF FET |
|-------------|--------|------|------|-------|---------|---------|---------|
| OPERATE | STEREO | ON | ON | ON | ON | ON | ON |
| | MONO L | ON | OFF | ON | OFF | ON | OFF |
| | MONO R | OFF | ON | ON | OFF | ON | OFF |
| SUB-TO-MAIN | | OFF | OFF | OFF | ON | OFF | ON |
| MAIN-TO-SUB | | ON | ON | ON | ON | ON | ON |

5. Composite Metering

The composite signal prior to the output buffers is applied to a peak detector circuit. Its output feeds an 8-bit analog-to-digital converter which measures the signal level. The Control Card reads the level value from the analog-to-digital converter and translates the data to the front panel LCD display.

Component-level description:

IC32 is an 8-bit analog-to-digital converter. R133, C92, and CR20 create a 1.2V reference used by IC32 to determine the input level seen at pin 16. IC32 has eight data outputs that are connected to the Control Card. The outputs are normally tri-stated and are enabled by the signal at pin 2.

DSP Cards

1. Overview

The DSP Cards use general purpose DSP chips that use software programs to implement digital signal processing algorithms. The algorithms filter, compress, and limit the audio signal. Each board has three DSP chips on it. Each DSP chip has two FIFO buffer circuits associated with it: one for transmitting data to another DSP chip, the other for receiving data from another DSP chip. The DSP chips are cascaded with the FIFO circuits between them to interface the DSP chips. The DSP chips are cascaded so that the first generates output to the second which generates output to the third. The first receives input from the third DSP chip on a separate DSP Card. The third DSP chip generates output to the first DSP chip on a separate DSP Card. The DSP chip communication is through a FIFO interface. The FIFO is 24 bits wide and 16 words deep. The FIFO is dual ported so that reads and writes can occur simultaneously. The control logic interfaces the DSP chips and the interrupt logic with the Control Card. The Control Card reads from and writes to the DSP chips through the DSP chip host ports. The board has two latches on it that the Control Card writes to. The latch output bits are used to reset the DSP chips and to control how the DSP chips are synchronized to the sample rate clocks.

Component-level description:

IC9, IC15, and IC30 are the DSP chips. The chips can be ruined by static discharge or by damage to their delicate pins.

2. FIFO Buffers

A FIFO buffer is used by a DSP chip to write data to another DSP chip. There are three FIFO buffers on a DSP Card. Each FIFO buffer is paired with a DSP chip. The FIFO/DSP pairs are cascaded in a line. The first FIFO is written to by a DSP chip on a previous DSP Card, if there is one. The first DSP chip reads from the first FIFO and writes to the second FIFO. The second DSP chip reads from the second FIFO and writes to the third FIFO. The third DSP chip reads from the third FIFO and writes to the first FIFO on the next DSP Card, if there is one. A FIFO buffer is made up of three 74HC373 latches and six 74HC40105 4X16 FIFOs. The 74HC373s latch the data from the DSP chip writing to the FIFO buffer. The 74HC373 outputs are shifted into the 74HC40105 FIFO chips. The DSP chip that reads from the buffer reads the data from the 74HC40105 FIFO chips and shifts it out.

3. Control Logic

The control logic decodes the address lines and selects the proper device for the Control Card to read from or write to.

Component-level description:

IC45 is an address magnitude comparator used to decode the board address. It compares the address bits A8-11 with the slot address from the Motherboard. If they match, the comparator output, pin 6, partially enables IC42, a 74HC138 3-to-8 line address decoder. It decodes the address bits A3-5 to select one of three DSP chips or one of two latches. IC42 is fully enabled when the Control Card asserts the E signal high at pin 6. When that happens, one of its eight outputs goes low and provides a control signal to the device being addressed.

4. DSP Reset and Interrupt Logic

The Control Card writes to two latches on the DSP Card that reset the DSP chips and control four multiplexers. The multiplexers select which of three signals is connected to the IRQB pin on each DSP chip. The IRQB pin is an interrupt request pin that is negative edge-triggered. When the DSP chip detects an interrupt, it runs its algorithm on the current audio sample. The multiplexers are necessary because the algorithms are designed to run at one of three rates: 32kHz, 64kHz, or 128kHz.

Component-level description:

IC44 is the reset control latch. It is a 74HC373 transparent latch. It is written to by the Control Card to initiate hardware resets on the DSP chips. Only the four least significant bits are used. When IC4 is not being written to, its outputs are tri-stated and pulled high by the pull-up resistors R2-5. Three of the outputs are connected to the reset pin on each DSP chip which is active low.

When the Control Card writes to the reset latch, IC44, the outputs are briefly enabled and the DSP chips will be reset if the Control Card has written a low logic level. The outputs of IC44 also connect to inverters on IC41. The inverted signals connect to pin 1 on IC36, 37, 38 and 40. If the Control Card resets the DSP chips, pin 1 on IC36, 37, 38 and 40 goes high and tri-states pin 7 on IC36, 37, 38 and 40. This is necessary to make the DSP chips boot properly. The purpose of IC36, 37, 38 and 40 is described below. The three signals 1 x frameclock, 2 x frameclock, and 4 x frameclock are 32kHz, 64kHz, and 128kHz clock signals respectively. ICs 36, 37, 38 and 40 are 74HC253B multiplexers that select which of the three frameclock signals interrupt each DSP chip. IC43 is a 74HC373 latch that supplies four pairs of logic signals to address the multiplexers. The address signals are applied to pins 14 and 2 of the 74HC253B. The selected input is output at pin 7. IC36's output is not connected to anything and is a spare IC.

Control Card

1. Overview

The Control Card processes and executes all user initiated requests to the system. This includes changes to the DSP processing such as program change and modifications through the front panel keyboard, the serial port, and the eight remote contact closures. The Control Card also provides the housekeeping functions like the real time clock, gain reduction and input/output metering, analog signal path setup levels, and security password functions.

2. Power Monitoring Circuit

The +5 volt supply voltage is monitored to ensure it is within the correct operating range.

The system $\overline{\text{RESET}}$ is activated if the +5V supply drops below the minimum acceptable voltage. Battery voltage is also monitored to ensure it is above its minimum operating voltage.

Component-level description:

Voltage comparator IC11 provides the system reset function. The 5-volt source is divided by resistors R202 and R203 and compared to the 1.2V voltage reference created by R204 and CR200. When the 5V line is above the 4.8V minimum operating voltage, timing network R210 and C207 will begin to charge to 5V. Inverters IC13c and IC13d buffer the signal and $\overline{\text{RESET}}$ goes high, enabling the Z180 $\overline{\text{RESET}}$ input.

Battery voltage is buffered by IC11a with stabilizing network R208 and C206, divided by R209 and R211, and compared to the 1.2V reference by IC11b. The output of IC11b goes low when the battery voltage falls below 2.4V. This signal

is read periodically by the Z180 through buffer IC12 to detect acceptable battery voltage.

CR201 and CR202 switch the Vbat line between 5V and battery 3V to retain real time clock and RAM data retention during mains voltage outages.

Security Reset Switch is debounced by R216 and C208 and buffered by IC13e.

This signal is read periodically by the Z180 through buffer IC12 to detect if security should be disabled.

3. Microprocessor and Input/Output Circuit

A Z-180 microprocessor runs the software required to provide the functions described above. Crystal Y100 connected to the XTAL port of the Z180 oscillates at 12.288MHz and is internally divided down to 6.144MHz to provide the system clock frequency.

Module M1 contains control software for the Z180. IC15 and IC9 decode Z180 memory addresses to select M1 to access instructions to execute. User presets and system setup information are stored in both RAM IC22 and the module to enable board swapping without losing data.

IC10 decodes I/O addresses to select real time clock circuitry, host port buffers IC19, IC26, and IC20, remote contact closures, ROM.

4. Real Time Clock Circuit

IC1 with crystal oscillator Y101 provides time, date and alarm functions. Vbat is used for supply voltage to allow continued operation when AC mains power is removed. The Z180 accesses IC1 with decoder IC10 and timing circuitry IC3, IC4, IC6, and IC8. IC2 is a data buffer and IC14 is an address latch between the Z180 and IC1. Pin 8 of IC3 goes low for read and pin 11 of IC3 goes low for write operations. A Z180 interrupt is generated by IC1 every 0.5 second with pin 19 going low. The Z180 will then read the current data from IC1. Pin 22 of IC1 and R108 with C102 is held high by Vbat. This port will go low and is then internally latched should Vbat go low, interrupting timing updates.

5. Host Port Interface

The Z180 communicates to the Analog I/O, Stereo Encoder, and the DSP Cards through the host port. IC19, IC26, and IC20 buffer the address and data bus with control signals HOST, E, RD, and WR. The host port can be selected as a standard I/O mapped device with pin 14 of IC10.

The Z180 sends the signal processing software required by the DSP Cards through the host port. IC10 pin 9 selects buffers IC19, IC26, and IC20 and address generating components IC5, IC6, IC7, and IC8. The address generating circuit modifies the port address and allows speedier memory transfers for DSP function changes like recalling a different processing structure.

Display Board

1. Overview

The Display Board supports the front panel keys, LCD display, and rotary encoder. The keys are configured in a switch matrix circuit controlled by the Control Card. The LCD display has its own special purpose driver IC, RAM, and address and data buffers and support circuitry. The rotary encoder circuit includes filtering components, a pulse counter and buffers.

2. Switch Matrix

The switch matrix is configured as two columns and six rows. Decoder IC15 selects latch IC16 to drive one of the two columns low. Decoder IC15 then selects buffer IC17 which reads the six rows to determine if one or more of the switches in that column are closed. If no switches are closed, pull-up resistors R204D-R204I drive the buffer inputs to +5 volts. The HELP key has a dedicated row so that it can be read in combination with any other key.

3. Rotary Encoder

The rotary encoder provides two pulsed outputs when it is rotated. The outputs are out of phase so that direction can be determined. The Z180 on the Control Card reads the switch circuitry approximately every 4 milliseconds to check if any switches or the rotary encoder have been turned.

Component-level description:

IC9a and IC9b buffer and invert the rotary encoder outputs. Flip-flop IC8a is clocked and the output goes low to indicate the encoder has been turned. IC9c, IC9d, IC9e, and IC9f with associated resistors and capacitors provide filtering so that the directional phase information can be determined. The output of IC8b will go high if the encoder is turned to clockwise and will go low if turned counter-clockwise. The output is read by buffer IC17. Pulse counter IC19 counts how far the encoder was turned. IC19s output is buffered by IC18.

4. Display circuit

The LCD display uses a special purpose display driver to interface to the LCD and to refresh the display data. The Z180 microprocessor on the Control Card writes display data to a static RAM on the Display Board. The display driver IC uses this data to refresh and update the LCD. Data and address latches allow the Z180 and the display driver to access the current display data.

Component-level description:

Display driver IC4 uses crystal Y100 to generate its clock frequency. IC4 is selected by the Control Card with signal DISPLAY. IC4 is initialized on power-up. All updates to the LCD are done through RAM IC3 with data and address latches IC1, IC2, IC13, and IC14. IC11c, IC11d, and IC10a decode the READ, WRITE, and MDISPLAY signals to determine if the Control Card is requesting a read or write operation. Asynchronous RAM access between the Control Card and LCD driver IC4 is accommodated with logic circuitry IC5, IC6, IC7, IC11, and IC12.

5. LCD display



The LCD is a 128-by-256-dot graphics display incorporating a florescent backlight. Screen saver circuitry for the backlight helps extend its lifetime. The backlight's voltage source is a 300V 30kHz AC signal and requires caution to avoid user injury. All components described below other than the LCD unit reside on the Display Board.

Component-level description:

The LCDs power and control signals connect to the Display Board with a 14-pin connector. The LCD unit consists of the display and an integral control circuit board containing the driver circuitry for each screen element. The output of the front panel CONTRAST control provides the LCD operating voltage of approximately -8 volts. Adjusting this voltage will change the optimum viewing angle of the LCD. The backlight's power is generated by power inverter A100. The inverter's $+12$ volt power source is switched on or off with Q100, R100, and R101 by bit 7Q of latch IC16. Diode CR100 protects transistor Q100 against reverse bias voltages.

Power Supply

The power supply converts an AC line voltage input to various power sources used by the 8200. It consists of three main parts: the Regulator Board, the Finger Board, and the Switching Power Supply. The Regulator Board circuitry supplies power to the 8200 analog circuits. The Finger Board is used to connect the power signals to the Motherboard. The switching power supply supplies power to the 8200 digital circuits. Other than a full replacement, the switching power supply is not intended to be serviced.

Component-level description:

L1 is a power line filter that filters out RFI. T1 is a conventional power transformer used to step down the input voltage for the ± 15 VDC supply. S2 is a switch used to select between a 115V or 230V power source. CR1 is a full wave rectifier. C1, C2, C5, and C6 smooth and condition the rectified voltage signal for input to the voltage regulators, IC1 and IC2. The regulators output the $+15$ V and -15 V sources used to power the analog circuits in the 8200.

The Finger Board holds the test points and bypass capacitors before connecting the power signals to the Motherboard.

Input Filter Board

The Input Filter Board serves as a mount for the audio input and output connectors, the AES/EBU connectors, the composite outputs and the SCA input. It provides RFI filtering for all the above inputs and outputs.

D-Connector Board

The D-Connector Board holds the connectors and circuitry for the RS-232, RS-422, and remote control interfaces.

Component-level description:

The RS-232 interface is comprised of J1, IC1, and IC2. J1 is a 9-pin D-connector. IC1 and IC2 provide logic circuitry to interface the RS-232 signals with the microprocessor on the Control Card.

The RS-422 interface consists of J2, IC3, IC4 and associated resistors. J2 is a 9-pin D-connector. IC3 and IC4 provide logic circuitry to interface the RS-422 signals with the microprocessor on the Control Card.

J3 is a 25-pin D-connector that connects the remote control input signals. The associated resistors and capacitors filter out RFI from the input signals. The associated optoisolators (e.g. IC12) isolate the inputs from the detector circuitry on the Control Card. The associated diodes prevent the optoisolators from breaking down under a reverse bias.

S1 is the ground lift switch used to connect or lift circuit ground from chassis ground.

Parts List

Parts are listed by ASSEMBLY, then by TYPE, then by REFERENCE DESIGNATOR. Widely used common parts are not listed; such parts are described generally below (examine the part to determine exact value). See the following assembly drawings for locations of components.

SIGNAL DIODES, if not listed by reference designator in the following parts list, are:

Orban part number 22101-000, Fairchild (FSC) part number 1N4148, also available from many other vendors. This is a silicon, small-signal diode with ultra-fast recovery and high conductance. It may be replaced with 1N914 (BAY-61 in Europe).

(BV: 75V min. @ $I_r = 5\mu\text{A}$; I_r : 25nA max. @ $V_r = 20\text{V}$; V_f : 1.0V max. @ $I_f = 100\text{mA}$; t_{rr} : 4ns max.) See Miscellaneous list for ZENER DIODES (reference designator VRxx).

RESISTORS should only be replaced with the same style and with the exact value marked on the resistor body. If the value marking is not legible, consult the schematic or the factory. Performance and stability will be compromised if you do not use exact replacements.

Unless listed by reference designator in the following parts list, you can verify resistors by their physical appearance:

Metal film resistors have conformally-coated bodies, and are identified by five color bands or a printed value. They are rated at $\frac{1}{8}$ watt @ 70°C , $\pm 1\%$, with a temperature coefficient of 100 PPM/ $^\circ\text{C}$. Orban part numbers 20038-xxx through 20045-xxx, USA Military Specification MIL-R-10509 Style RN55D. Manufactured by R-Ohm (CRB-1/4FX), TRW/IRC, Beyschlag, Dale, Corning, and Matsushita.

Carbon film resistors have conformally-coated bodies, and are identified by four color bands. They are rated at $\frac{1}{4}$ watt @ 70°C , $\pm 5\%$. Orban part numbers 20001-xxx, Manufactured by R-Ohm (R-25), Piher, Beyschlag, Dale, Phillips, Spectrol, and Matsushita.

Carbon composition resistors have molded phenolic bodies, and are identified by four color bands. The 0.090 x 0.250 inch (2.3 x 6.4 mm) size is rated at $\frac{1}{4}$ watt, and the 0.140 x 0.375 inch (3.6 x 9.5 mm) size is rated at $\frac{1}{2}$ watt, both $\pm 5\%$ t numbers 2001x-xxx, USA Military Specification MIL-R-11 Style RC-07 ($\frac{1}{4}$ watt) or RC-20 ($\frac{1}{2}$ watt). Manufactured by Allen-Bradley, TRW/IRC, and Matsushita.

Cermet trimmer resistors have $\frac{3}{8}$ -inch (9 mm) square bodies, and are identified by printing on their sides. They are rated at $\frac{1}{2}$ watt @ 70°C , $\pm 10\%$, with a temperature coefficient of 100 PPM/ $^\circ\text{C}$. Orban part numbers 20510-xxx and 20511-xxx. Manufactured by Beckman (72P, 68W- series), Spectrol, and Matsushita.

Obtaining Spare Parts

Special or subtle characteristics of certain components are exploited to produce an elegant design at a reasonable cost. It is therefore unwise to make substitutions for listed parts. Consult the factory if the listing of a part includes the note “selected” or “realignment required.”

Orban normally maintains an inventory of tested, exact replacement parts that can be supplied quickly at nominal cost. Standardized spare parts kits are also available. When ordering parts from the factory, please have available the following information about the parts you want:

- Orban part number
- Reference designator (e.g., C3, R78, IC14)
- Brief description of part
- Model, serial, and “M” (if any) number of unit — see rear-panel label

To facilitate future maintenance, parts for this unit have been chosen from the catalogs of well-known manufacturers whenever possible. Most of these manufacturers have extensive worldwide distribution and may be contacted through their local offices. Addresses for each manufacturer’s USA headquarters are given on page 6-44.

| REF DES | DESCRIPTION | ORBAN P/N | VEN (1) | VENDOR P/N | ALTERNATE VENDORS (1) | NOTES |
|------------|-------------|-----------|------------|------------|--------------------------|-------|
|------------|-------------|-----------|------------|------------|--------------------------|-------|

ANALOG BOARD ASSEMBLY

Capacitors

| | | | | | | |
|----------|---------------------------------------|-----------|-----|------------------|---------|--|
| C98,99 | Ceramic,Disc, 1KV, 10%; 12pF | 21112-012 | MEP | 120K20S2L | | |
| C100-102 | Polypropylene, 50V, 1%; 4700pF | 21701-247 | NOB | CQ15P1H472FPP | WES | |
| C103-107 | Met. Polyester, 63V, 5%; 0.1uF | 21442-410 | MAL | 168104J63A | WIM | |
| C108,109 | Polypropylene, 50V, 1%; 4700pF | 21701-247 | NOB | CQ15P1H472FPP | WES | |
| C110 | Met. Polyester, 63V, 5%; 0.1uF | 21442-410 | MAL | 168104J63A | WIM | |
| C111-113 | Polypropylene, 50V, 1%; 4700pF | 21701-247 | NOB | CQ15P1H472FPP | WES | |
| C114 | Mica, 500V, 1%; 2400pF | 21022-224 | CD | CD19-FD242F03 | SAN | |
| C115-118 | Monolythic Ceramic, 50V, 20%; 0.1uF | 21123-410 | SPR | 1C25 Z5U104M050B | KEM | |
| C119,120 | Polypropylene, 50V, 1%; 4700pF | 21701-247 | NOB | CQ15P1H472FPP | WES | |
| C121 | Mica, 500V, 1%; 2400pF | 21022-224 | CD | CD19-FD242F03 | SAN | |
| C122 | Mica, 500V, 1%; 1500pF | 21022-215 | CD | CD19-FD152F03 | SAN | |
| C123 | Mica, 500V, 1%; 1000pF | 21022-210 | CD | CD19-FD102F03 | SAN | |
| C124,125 | Monolythic Ceramic, 50V, 20%; 0.1uF | 21123-410 | SPR | 1C25 Z5U104M050B | KEM | |
| C126 | Mica, 500V, 1%; 1000pF | 21022-210 | CD | CD19-FD102F03 | SAN | |
| C127 | Mica, 500V, 1%; 1500pF | 21022-215 | CD | CD19-FD152F03 | SAN | |
| C128,129 | Monolythic Ceramic, 50V, 20%; 0.1uF | 21123-410 | SPR | 1C25 Z5U104M050B | KEM | |
| C130,131 | Met. Polyester, 63V, 5%; 0.1uF | 21442-410 | MAL | 168104J63A | WIM | |
| C132,133 | Mica, 500V, +1/2pF -1/2pF; 33pF | 21017-033 | CD | CD15-CD330D03 | SAN | |
| C134,135 | Monolythic Ceramic, 50V, 20%; 0.1uF | 21123-410 | SPR | 1C25 Z5U104M050B | KEM | |
| C136,137 | Met. Polyester, 100V, 10%; 0.0056uF | 21441-256 | WES | 160C 562K630 | SIE,WIM | |
| C200,201 | Monolythic Ceramic, 50V, 20%; 0.1uF | 21123-410 | SPR | 1C25 Z5U104M050B | KEM | |
| C202,203 | Ceramic Disc, 1KV, 10%; 0.001uF | 21112-210 | CRL | DD-102 | MUR | |
| C213 | Monolythic Ceramic, 50V, 20%; 0.1uF | 21123-410 | SPR | 1C25 Z5U104M050B | KEM | |
| C216 | Ceramic Disc, 1KV, 10%; 0.001uF | 21112-210 | CRL | DD-102 | MUR | |
| C217,218 | Monolythic Ceramic, 50V, 20%; 0.1uF | 21123-410 | SPR | 1C25 Z5U104M050B | KEM | |
| C220 | Monolythic Ceramic, 50V, 20%; 0.1uF | 21123-410 | SPR | 1C25 Z5U104M050B | KEM | |
| C224-227 | Monolythic Ceramic, 50V, 20%; 0.1uF | 21123-410 | SPR | 1C25 Z5U104M050B | KEM | |
| C300-303 | Monolythic Ceramic, 50V, 20%; 0.1uF | 21123-410 | SPR | 1C25 Z5U104M050B | KEM | |
| C304 | Met. Polyester, 100V, 10%; 0.01uF | 21441-310 | WES | 160C 103K630 | SIE,WIM | |
| C305,306 | Mica, 500V +1/2pF -1/2pF; 39pF | 21017-039 | CD | CD15-CD390D03 | SAN | |
| C307,308 | Monolythic Ceramic, 50V, 20%; 0.1uF | 21123-410 | SPR | 1C25 Z5U104M050B | KEM | |
| C400 | Alum., Radial, 25V, -20% +100%; 100uF | 21206-710 | PAN | ECE-A1EV101S | | |
| C401 | Monolythic Ceramic, 50V, 20%; 0.1uF | 21123-410 | SPR | 1C25 Z5U104M050B | KEM | |

FOOTNOTES:

- (1) See page 6-26 for Vendor abbreviations
- (2) No Alternate Vendors known at publication
- (3) Actual part is specially selected from part listed, consult Factory

- (4) Realignment may be required if replaced, see Circuit Description and/or Alignment Instructions

SPECIFICATIONS REPLACEMENT

Orban Model 8200
Analog Board Assembly - Capacitors

| REF DES | DESCRIPTION | ORBAN P/N | VEN (1) | VENDOR P/N | ALTERNATE VENDORS (1) | NOTES |
|--|---------------------------------------|-----------|------------|-------------------|---|-------|
| <u>Capacitors (continued)</u> | | | | | | |
| C402 | Alum., Radial, 25V, -20% +100%; 100uF | 21206-710 | PAN | ECE-A1EV101S | | |
| C403-408 | Monolythic Ceramic, 50V, 20%; 0.1uF | 21123-410 | SPR | 1C25 Z5U104M050B | KEM | |
| C410-412 | Monolythic Ceramic, 50V, 20%; 0.1uF | 21123-410 | SPR | 1C25 Z5U104M050B | KEM | |
| C413 | Alum., Radial, 25V, -20% +100%; 100uF | 21206-710 | PAN | ECE-A1EV101S | | |
| C414 | Monolythic Ceramic, 50V, 20%; 0.1uF | 21123-410 | SPR | 1C25 Z5U104M050B | KEM | |
| C415,416 | Alum., Radial, 25V, -20% +100%; 100uF | 21206-710 | PAN | ECE-A1EV101S | | |
| C596-601 | Monolythic Ceramic, 50V, 20%; 0.1uF | 21123-410 | SPR | 1C25 Z5U104M050B | KEM | |
| C617 | Ceramic Disc, 1KV, 10%; 0.001uF | 21112-210 | CRL | DD-102 | MUR | |
| C801 | Polypropylene, 50V, 2.5%; 100pF | 21702-110 | NOB | CQ15P1H101GPP | WES,WIM | |
| C804-806 | Polypropylene, 50V, 2.5%; 100pF | 21702-110 | NOB | CQ15P1H101GPP | WES,WIM | |
| C807-810 | Ceramic, 100V, 5%; .01uF | 21125-310 | MUR | RPE113C0G103J110V | KEM | |
| C811,812 | Tantalum, 20V, 10%; 10uF | 21305-610 | SPR | 196D 106X9020JA1 | MANY | |
| C813,814 | Ceramic, 50V, 5%; 4700pF | 21124-247 | CRL | CN30C472J245 | KEM | |
| C815 | Tantalum, 20V, 10%; 10uF | 21305-610 | SPR | 196D 106X9020JA1 | MANY | |
| C817-820 | Tantalum, 20V, 10%; 10uF | 21305-610 | SPR | 196D 106X9020JA1 | MANY | |
| C821,822 | Ceramic Disc, 25V, 20%; 0.01uF | 21106-310 | CRL | UK25-103 | MUR, SPR | |
| <u>Diodes</u> | | | | | | |
| CR400,401 | Diode, Rectifier, 400V, 1A | 22201-400 | MOT | 1N4004 | MANY | |
| <u>Integrated Circuits</u> | | | | | | |
| IC1 | Linear, Dual Opamp | 24207-202 | SIG | NE5532N | TI,EXR | |
| IC2 | Quad SPST Switches | 24728-302 | AD | ADG222 | | |
| IC3 | Audio Preamp | 24727-302 | AD | SSM-2017 | | |
| IC4,5 | Linear, Dual Opamp | 24206-202 | TI | TL072CP | MOT | |
| IC6 | Linear, Dual Opamp | 24209-202 | NAT | LF412CN | | |
| IC7 | Quad Comparator | 24710-302 | NAT | LM339 | | |
| IC8,9 | Linear, Dual Opamp | 24207-202 | SIG | NE5532N | TI,EXR | |
| IC10 | Linear, Dual Opamp | 24206-202 | TI | TL072CP | MOT | |
| IC11,12 | Digital, Multiplying DAC | 24714-302 | AD | AD7524JN | | |
| IC13 | Linear, Dual Opamp | 24207-202 | SIG | NE5532N | TI,EXR | |
| IC14 | Quad SPST Switches | 24728-302 | AD | ADG222 | | |
| IC15 | Audio Preamp | 24727-302 | AD | SSM-2017 | | |
| IC16,17 | Linear, Dual Opamp | 24206-202 | TI | TL072CP | MOT | |
| FOOTNOTES: (1) See page 6-26 for Vendor abbreviations (2) No Alternate Vendors known at publication (3) Actual part is specially selected from part listed, consult Factory (4) Realignment may be required if replaced, see Circuit Description and/or Alignment Instructions | | | | | SPECIFICATIONS REPLACE OPTIMOD-FM 8200 Analog Board Assembly - Capacitors, Diodes, Integrated Circuits. | |

| REF DES | DESCRIPTION | ORBAN P/N | VEN (1) | VENDOR P/N | ALTERNATE VENDORS (1) | NOTES |
|--|-------------------------------|-----------|------------|----------------|--|-------|
| <u>Integrated Circuits (continued)</u> | | | | | | |
| IC18 | Quad Comparator | 24710-302 | NAT | LM339 | | |
| IC19 | Digital, Octal Flip-Flop | 24553-302 | NAT | MM74HC374 | | |
| IC20 | Digital, A/D Converter | 24730-000 | AD | AD1879 | | |
| IC21 | D.C. Regulator, 5V Negative | 24308-901 | NAT | LM79M05C | TI,MOT | |
| IC22 | D.C. Regulator, 5V Positive | 24307-901 | NAT | LM78M05C | TI,MOT | |
| IC23 | Linear, Dual Opamp | 24209-202 | NAT | LF412CN | | |
| IC24-26 | Linear, Dual Opamp | 24206-202 | TI | TL072CP | MOT | |
| IC27,28 | Digital, Line Decoder | 24569-302 | NAT | MM74HC138N | TI | |
| IC29 | Digital, Buffer | 24568-302 | NAT | MM74HC244N | TI | |
| IC30 | Digital, Octal Flip-Flop | 24553-302 | NAT | MM74HC374 | | |
| IC31,32 | Digital, Dual Flip-Flop | 24567-302 | RCA | CD74HC74N | SIG | |
| IC33 | Digital, Hex Inverter | 24572-302 | NAT | 74HC04N | TI | |
| IC34,35 | Digital, Dual Flip-Flop | 24567-302 | RCA | CD74HC74N | SIG | |
| IC36 | Digital, Buffer | 24568-302 | NAT | MM74HC244N | TI | |
| IC37 | Digital, Magnitude Comparator | 24574-302 | SIG | 74HC85N | TI | |
| IC38 | Linear, Dual Opamp | 24206-202 | TI | TL072CP | MOT | |
| IC39 | Digital, Audio DAC | 24824-302 | AD | AD1864 | | |
| IC40 | Digital, NAND Gate | 24585-000 | RCA | CD74HC132E | TI | |
| IC41,42 | Digital, Dual Flip-Flop | 24567-302 | RCA | CD74HC74N | SIG | |
| IC43 | Digital, AND Gate | 24576-302 | RCA | CD74HC08 | | |
| IC44 | Linear, Dual Opamp | 24207-202 | SIG | NE5532N | TI,EXR | |
| <u>Miscellaneous</u> | | | | | | |
| Y1 | Crystal; 8.192 MHz | 28052-001 | NEL | NE-18-8.192MHz | | |
| <u>Resistors</u> | | | | | | |
| R109a,b | Resistor Set, MF; 2.00K | 28520-002 | ORB | | | 3 |
| R111a,b | Resistor Set, MF; 2.00K | 28520-002 | ORB | | | 3 |
| R126a,b | Resistor Set, MF; 2.00K | 28520-002 | ORB | | | 3 |
| R128a,b | Resistor Set, MF; 2.00K | 28520-002 | ORB | | | 3 |
| R136a,b | Resistor Set, MF; 13.3K/10.2K | 28522-003 | ORB | | | 3 |
| R139a,b | Resistor Set, MF; 4.64K/4.53K | 28522-005 | ORB | | | 3 |
| R146a,b | Resistor Set, MF; 13.3K/10.2K | 28522-003 | ORB | | | 3 |
| R148a,b | Resistor Set, MF; 4.53K/3.01K | 28522-004 | ORB | | | 3 |
| FOOTNOTES: (1) See page 6-26 for Vendor abbreviations (2) No Alternate Vendors known at publication (3) Actual part is specially selected from part listed, consult Factory (4) Realignment may be required if replaced, see Circuit Description and/or Alignment Instructions | | | | | SPECIFICATIONS REPLACE OPTIMOD-FM 8200 Analog Board Assembly - Integr. Miscellaneous, Resistors. | |

| REF DES | DESCRIPTION | ORBAN P/N | VEN (1) | VENDOR P/N | ALTERNATE VENDORS (1) | NOTES |
|------------|-------------|-----------|------------|------------|--------------------------|-------|
|------------|-------------|-----------|------------|------------|--------------------------|-------|

Resistor (continued)

| | | | | | | |
|---------|-------------------------------|-----------|-----|--|--|---|
| R153a,b | Resistor Set, MF; 13.3K/10.2K | 28522-003 | ORB | | | 3 |
| R156a,b | Resistor Set, MF; 4.64K/4.53K | 28522-005 | ORB | | | 3 |
| R163a,b | Resistor Set, MF; 13.3K/10.2K | 28522-003 | ORB | | | 3 |
| R165a,b | Resistor Set, MF; 4.53K/3.01K | 28522-004 | ORB | | | 3 |

Transistors

| | | | | | | |
|----------|-------------------------|-----------|-----|--------|-----|--|
| Q100-105 | Transistor, JFET/N | 23406-101 | NAT | J113 | SIL | |
| Q200-203 | Transistor, JFET/N | 23402-101 | NAT | J108 | | |
| Q400-402 | Transistor, Signal, PNP | 23002-101 | MOT | 2N4402 | FSC | |

CONTROL BOARD ASSEMBLY

Capacitors

| | | | | | | |
|----------|---------------------------------------|-----------|-----|------------------|-----|--|
| C100,101 | Mica, 500V, +1/2pF -1/2pF; 22pF | 21017-022 | CD | CD15-CD220D03 | SAN | |
| C102,103 | Mica, 500V, 1%; 100pF | 21018-110 | CD | CD15-FD101F03 | SAN | |
| C200-202 | Alum., Radial, 25V, -20% +100%; 100uF | 21206-710 | PAN | ECE-A1EV101S | | |
| C203-205 | Monolythic Ceramic, 50V, 20%; 0.1uF | 21123-410 | SPR | 1C25 Z5U104M050B | KEM | |
| C206 | Alum., Radial, 50V, -20% +100%; 47uF | 21208-647 | SPR | 502D 476G050CD1C | PAN | |
| C207 | Alum., Radial, 63V, -20% +100%; 2.2uF | 21209-522 | SPR | 502D 225G063BB1C | PAN | |
| C208 | Ceramic Disc, 1KV, 10%; 0.001uF | 21112-210 | CRL | DD-102 | MUR | |
| C209 | Alum., Radial, 63V, -20% +100%; 2.2uF | 21209-522 | SPR | 502D 225G063BB1C | PAN | |
| C210 | Ceramic Disc, 25V, 20%; 0.1uF | 21106-410 | CRL | UK25-104 | MUR | |
| C211-214 | Monolythic Ceramic, 50V, 20%; 0.1uF | 21123-410 | SPR | 1C25 Z5U104M050B | KEM | |
| C300-311 | Monolythic Ceramic, 50V, 20%; 0.1uF | 21123-410 | SPR | 1C25 Z5U104M050B | KEM | |
| C313 | Monolythic Ceramic, 50V, 20%; 0.1uF | 21123-410 | SPR | 1C25 Z5U104M050B | KEM | |
| C316,317 | Monolythic Ceramic, 50V, 20%; 0.1uF | 21123-410 | SPR | 1C25 Z5U104M050B | KEM | |

Diodes

| | | | | | | |
|-----------|----------------------------|-----------|-----|-------------|------|--|
| CR200 | Diode, Voltage Reference | 22081-112 | NAT | LM385 | MOT | |
| CR201,202 | Diode, Signal, Hot Carrier | 22102-001 | HP | HP5082-2800 | MANY | |

FOOTNOTES:

- (1) See page 6-26 for Vendor abbreviations
- (2) No Alternate Vendors known at publication
- (3) Actual part is specially selected from part listed, consult Factory

- (4) Realignment may be required if replaced, see Circuit Description and/or Alignment Instructions

SPECIFICATIONS
REPLACEMENT

OPTIMOD-FM 8200
Analog Board Assembly - Resistor
Control Board Assembly - Capacitor

| <u>REF DES</u> | <u>DESCRIPTION</u> | <u>ORBAN P/N</u> | <u>VEN (1)</u> | <u>VENDOR P/N</u> | <u>ALTERNATE VENDORS (1)</u> | <u>NOTES</u> |
|--------------------|--------------------|------------------|--------------------|-------------------|----------------------------------|--------------|
|--------------------|--------------------|------------------|--------------------|-------------------|----------------------------------|--------------|

Integrated Circuits

| | | | | | | |
|---------|-----------------------------------|-----------|-----|--------------|-----|--|
| IC1 | Digital, RAM, RTA | 24809-302 | MOT | MC146818A | | |
| IC2 | Digital, Transceiver | 24570-302 | NAT | MM74HC245N | TI | |
| IC3 | Digital, Quad OR Gate | 24571-302 | NAT | MM74HC32N | TI | |
| IC4 | Digital, Dual Flip-Flop | 24567-302 | RCA | CD74HC74N | SIG | |
| IC5 | Digital, Binary Counter | 24583-302 | RCA | CD74HC393 | | |
| IC6 | Digital, Hex Inverter | 24572-302 | NAT | 74HC04N | TI | |
| IC7 | Digital, AND Gate | 24576-302 | RCA | CD74HC08 | | |
| IC8 | Digital, Quad OR Gate | 24571-302 | NAT | MM74HC32N | TI | |
| IC9,10 | Digital, Line Decoder | 24569-302 | NAT | MM74HC138N | TI | |
| IC11 | Quad Comparator | 24710-302 | NAT | LM339 | | |
| IC12 | Digital, Buffer | 24568-302 | NAT | MM74HC244N | TI | |
| IC13 | Digital, Schmitt Trigger Inverter | 24582-302 | MOT | 74HC14A | | |
| IC14 | Digital, Buffer | 24568-302 | NAT | MM74HC244N | TI | |
| IC15 | Digital, Line Decoder | 24569-302 | NAT | MM74HC138N | TI | |
| IC16 | Digital, Hex Inverter | 24572-302 | NAT | 74HC04N | TI | |
| IC17 | Digital, Schmitt Trigger Inverter | 24582-302 | MOT | 74HC14A | | |
| IC18 | Digital, MPU | 24813-302 | ZI | Z8018006PSC | | |
| IC19 | Digital, Buffer | 24568-302 | NAT | MM74HC244N | TI | |
| IC20 | Digital, Transceiver | 24570-302 | NAT | MM74HC245N | TI | |
| IC22 | Digital, RAM | 24811-302 | TOS | TC5565APL15L | | |
| IC25,26 | Digital, Buffer | 24568-302 | NAT | MM74HC244N | TI | |

Miscellaneous

| | | | | | | |
|------|---------------------------|-----------|-----|-----------------|----|--|
| None | Battery Holder, Coin Cell | 28031-000 | KEY | 106 | | |
| B200 | Coin Cell, Lithium; 3V | 28041-000 | DUR | DL2032 | GE | |
| Y100 | Crystal; 12.288 MHz | 28055-000 | RAL | A-12.288-5 | | |
| Y101 | Oscillator; 32.768 KHz | 28056-000 | NEL | HS426-32.768MHz | | |

Resistors

| | | | | | | |
|----------|-----------------------------|-----------|-----|-----------|--|--|
| R100,101 | Resistor Network, SIP; 100K | 20221-101 | BEK | L10-1C104 | | |
| R105-107 | Resistor Network, SIP; 100K | 20221-101 | BEK | L10-1C104 | | |
| R200 | Resistor Network, SIP; 100K | 20221-101 | BEK | L10-1C104 | | |
| R215 | Resistor Network, SIP; 100K | 20221-101 | BEK | L10-1C104 | | |

FOOTNOTES:

- (1) See page 6-26 for Vendor abbreviations
- (2) No Alternate Vendors known at publication
- (3) Actual part is specially selected from part listed, consult Factory

- (4) Realignment may be required if replaced, see Circuit Description and/or Alignment Instructions

SPECIFICATIONS
REPLACE

OPTIMOD-FM 8200
Control Board Assembly - Integr
Miscellaneous, Resistors.

| REF DES | DESCRIPTION | ORBAN P/N | VEN (1) | VENDOR P/N | ALTERNATE VENDORS (1) | NOTES |
|------------|-------------|-----------|------------|------------|--------------------------|-------|
|------------|-------------|-----------|------------|------------|--------------------------|-------|

Switches

S1 Switch, MOM.; SPST 26302-001 SCH D6-01-01

D-CONNECTOR BOARD ASSEMBLY

Capacitors

| | | | | | |
|--------|---------------------------------------|-----------|-----|------------------|-----|
| C1-16 | Ceramic Disc, 1KV, 10%; 0.001uF | 21112-210 | CRL | DD-102 | MUR |
| C17 | Alum., Radial, 25V, -20% +100%; 100uF | 21206-710 | PAN | ECE-A1EV101S | |
| C18,19 | Monolythic Ceramic, 50V, 20%; 0.1uF | 21123-410 | SPR | 1C25 Z5U104M050B | KEM |
| C20 | Alum., Radial, 25V, -20% +100%; 100uF | 21206-710 | PAN | ECE-A1EV101S | |
| C21,22 | Monolythic Ceramic, 50V, 20%; 0.1uF | 21123-410 | SPR | 1C25 Z5U104M050B | KEM |
| C23 | Alum., Radial, 25V, -20% +100%; 100uF | 21206-710 | PAN | ECE-A1EV101S | |
| C24,25 | Monolythic Ceramic, 50V, 20%; 0.1uF | 21123-410 | SPR | 1C25 Z5U104M050B | KEM |

Diodes

CR1-8 Diode, Rectifier, 400V, 1A 22201-400 MOT 1N4004 MANY

Inductors

L1 Inductor, RF Choke; 7uH 29501-004 OHM Z-50 (2)

Integrated Circuits

| | | | | |
|--------|------------------------------|-----------|-----|-----------|
| IC1 | Digital, Quad Line Driver | 24661-302 | NAT | DS14C88N |
| IC2 | Digital, Quad Line Receiver | 24662-302 | NAT | DS14C89A |
| IC3 | Digital, Quad Line Drivers | 24717-302 | MOT | SN75174N |
| IC4 | Digital, Quad Line Receivers | 24718-302 | MOT | SN75175N |
| IC5-12 | Optoisolator, NPN | 25003-000 | SIE | SFH-601-1 |

Miscellaneous

FB1-18 Ferrite Bead, with wire 29506-001 FR 2743001111

Switches

S1 Switch, Slide; SPDT 26142-000 ITW 124-230-020

FOOTNOTES:

- (1) See page 6-26 for Vendor abbreviations
- (2) No Alternate Vendors known at publication
- (3) Actual part is specially selected from part listed, consult Factory

- (4) Realignment may be required if replaced, see Circuit Description and/or Alignment Instructions

SPECIFICATIONS
REPLACE

OPTIMOD-FM 8200
Control Board Assembly - Switch
D-connector Board Assembly - C
Inductors, Integrated Circui
Switches.

| REF DES | DESCRIPTION | ORBAN P/N | VEN (1) | VENDOR P/N | ALTERNATE VENDORS (1) | NOTES |
|------------|-------------|-----------|------------|------------|--------------------------|-------|
|------------|-------------|-----------|------------|------------|--------------------------|-------|

DSP BOARD ASSEMBLY

Capacitors

| | | | | | | |
|-------|--------------------------------------|-----------|-----|------------------|-----|--|
| C1,2 | Alum., Radial, 63V, -20% +100%; 22uF | 21209-622 | SPR | 502D 226G063CC1C | PAN | |
| C3-40 | Monolithic Ceramic, 50V, 20%; 0.1uF | 21123-410 | SPR | 1C25 Z5U104M050B | KEM | |

Integrated Circuits

| | | | | | | |
|---------|-------------------------------|-----------|-----|--------------|----|--|
| IC1 | Digital, NOR Gate | 24581-302 | SIG | 74HC02N | TI | |
| IC2 | Digital, Quad OR Gate | 24571-302 | NAT | MM74HC32N | TI | |
| IC3 | Digital, Latch | 24577-302 | SIG | 74HC373N | TI | |
| IC4-6 | Digital, Register | 24578-302 | SIG | 74HC40105N | | |
| IC7 | Digital, NOR Gate | 24581-302 | SIG | 74HC02N | TI | |
| IC8 | Digital, Quad OR Gate | 24571-302 | NAT | MM74HC32N | TI | |
| IC9 | Digital, DSP | 24835-000 | MOT | DSP56001FC27 | | |
| IC10,11 | Digital, Latch | 24577-302 | SIG | 74HC373N | TI | |
| IC12-14 | Digital, Register | 24578-302 | SIG | 74HC40105N | | |
| IC15 | Digital, DSP | 24835-000 | MOT | DSP56001FC27 | | |
| IC16 | Digital, NOR Gate | 24581-302 | SIG | 74HC02N | TI | |
| IC17 | Digital, Quad OR Gate | 24571-302 | NAT | MM74HC32N | TI | |
| IC18-20 | Digital, Register | 24578-302 | SIG | 74HC40105N | | |
| IC21 | Digital, Latch | 24577-302 | SIG | 74HC373N | TI | |
| IC22-24 | Digital, Register | 24578-302 | SIG | 74HC40105N | | |
| IC25 | Digital, Latch | 24577-302 | SIG | 74HC373N | TI | |
| IC26-28 | Digital, Register | 24578-302 | SIG | 74HC40105N | | |
| IC29 | Digital, Latch | 24577-302 | SIG | 74HC373N | TI | |
| IC30 | Digital, DSP | 24835-000 | MOT | DSP56001FC27 | | |
| IC31-33 | Digital, Register | 24578-302 | SIG | 74HC40105N | | |
| IC34,35 | Digital, Latch | 24577-302 | SIG | 74HC373N | TI | |
| IC36-38 | Digital, Multiplexer | 24579-302 | SIG | 74HC253BN | TI | |
| IC39 | Digital, Latch | 24577-302 | SIG | 74HC373N | TI | |
| IC40 | Digital, Multiplexer | 24579-302 | SIG | 74HC253BN | TI | |
| IC41 | Digital, Hex Inverter | 24572-302 | NAT | 74HC04N | TI | |
| IC42 | Digital, Line Decoder | 24569-302 | NAT | MM74HC138N | TI | |
| IC43,44 | Digital, Latch | 24577-302 | SIG | 74HC373N | TI | |
| IC45 | Digital, Magnitude Comparator | 24574-302 | SIG | 74HC85N | TI | |

FOOTNOTES:

- (1) See page 6-26 for Vendor abbreviations
- (2) No Alternate Vendors known at publication
- (3) Actual part is specially selected from part listed, consult Factory

- (4) Realignment may be required if replaced, see Circuit Description and/or Alignment Instructions

SPECIFICATIONS REPLACE

OPTIMOD-FM 8200
DSP Board Assembly - Capacit

| REF DES | DESCRIPTION | ORBAN P/N | VEN (1) | VENDOR P/N | ALTERNATE VENDORS (1) | NOTES |
|------------|-------------|-----------|------------|------------|--------------------------|-------|
|------------|-------------|-----------|------------|------------|--------------------------|-------|

Miscellaneous

| | | | | | | |
|----|--------------------|-----------|-----|---------------|--|--|
| Y1 | Oscillator; 27 MHz | 28054-000 | NEL | HS-350-27.000 | | |
|----|--------------------|-----------|-----|---------------|--|--|

FINGER BOARD ASSEMBLY

Capacitors

| | | | | | | |
|-----|-------------------------------------|-----------|-----|------------------|-----|--|
| C12 | Monolythic Ceramic, 50V, 20%; 0.1uF | 21123-410 | SPR | 1C25 Z5U104M050B | KEM | |
| C13 | Ceramic Disc, 1KV, 10%; 0.001uF | 21112-210 | CRL | DD-102 | MUR | |
| C14 | Monolythic Ceramic, 50V, 20%; 0.1uF | 21123-410 | SPR | 1C25 Z5U104M050B | KEM | |
| C15 | Ceramic Disc, 1KV, 10%; 0.001uF | 21112-210 | CRL | DD-102 | MUR | |
| C16 | Monolythic Ceramic, 50V, 20%; 0.1uF | 21123-410 | SPR | 1C25 Z5U104M050B | KEM | |
| C17 | Ceramic Disc, 1KV, 10%; 0.001uF | 21112-210 | CRL | DD-102 | MUR | |
| C18 | Monolythic Ceramic, 50V, 20%; 0.1uF | 21123-410 | SPR | 1C25 Z5U104M050B | KEM | |
| C19 | Ceramic Disc, 1KV, 10%; 0.001uF | 21112-210 | CRL | DD-102 | MUR | |
| C20 | Monolythic Ceramic, 50V, 20%; 0.1uF | 21123-410 | SPR | 1C25 Z5U104M050B | KEM | |
| C21 | Ceramic Disc, 1KV, 10%; 0.001uF | 21112-210 | CRL | DD-102 | MUR | |
| C22 | Monolythic Ceramic, 50V, 20%; 0.1uF | 21123-410 | SPR | 1C25 Z5U104M050B | KEM | |
| C23 | Ceramic Disc, 1KV, 10%; 0.001uF | 21112-210 | CRL | DD-102 | MUR | |
| C26 | Monolythic Ceramic, 50V, 20%; 0.1uF | 21123-410 | SPR | 1C25 Z5U104M050B | KEM | |
| C27 | Ceramic Disc, 1KV, 10%; 0.001uF | 21112-210 | CRL | DD-102 | MUR | |
| C28 | Monolythic Ceramic, 50V, 20%; 0.1uF | 21123-410 | SPR | 1C25 Z5U104M050B | KEM | |
| C29 | Ceramic Disc, 1KV, 10%; 0.001uF | 21112-210 | CRL | DD-102 | MUR | |
| C30 | Monolythic Ceramic, 50V, 20%; 0.1uF | 21123-410 | SPR | 1C25 Z5U104M050B | KEM | |
| C31 | Ceramic Disc, 1KV, 10%; 0.001uF | 21112-210 | CRL | DD-102 | MUR | |
| C32 | Monolythic Ceramic, 50V, 20%; 0.1uF | 21123-410 | SPR | 1C25 Z5U104M050B | KEM | |
| C33 | Ceramic Disc, 1KV, 10%; 0.001uF | 21112-210 | CRL | DD-102 | MUR | |

FOOTNOTES:

- (1) See page 6-26 for Vendor abbreviations
- (2) No Alternate Vendors known at publication
- (3) Actual part is specially selected from part listed, consult Factory

- (4) Realignment may be required if replaced, see Circuit Description and/or Alignment Instructions

SPECIFICATIONS
REPLACE

OPTIMOD-FM 8200
DSP Board Assembly - Miscella
Finger Board Assembly - Capac

| REF DES | DESCRIPTION | ORBAN P/N | VEN (1) | VENDOR P/N | ALTERNATE VENDORS (1) | NOTES |
|------------|-------------|-----------|------------|------------|--------------------------|-------|
|------------|-------------|-----------|------------|------------|--------------------------|-------|

FRONT PANEL ASSEMBLY

Miscellaneous

| | | | | | |
|-------------|-----------|-----|--|--|--|
| LCD Display | 42025-000 | ORB | | | |
|-------------|-----------|-----|--|--|--|

INPUT FILTER BOARD ASSEMBLY

Capacitors

| | | | | | |
|------|---------------------------------|-----------|-----|--------|-----|
| C2-5 | Ceramic Disc, 1KV, 10%; 0.001uF | 21112-210 | CRL | DD-102 | MUR |
|------|---------------------------------|-----------|-----|--------|-----|

Inductors

| | | | | | |
|--------|----------------------------------|-----------|-----|-----------|-----|
| L1-4 | Inductor, RF Choke; 1.2mH | 29503-000 | MIL | 73F123AF | |
| L5-13 | Inductor, RF Choke; 7uH | 29501-004 | OHM | Z-50 | (2) |
| L14-21 | Filter, EMI, W/INDUCT, 50V,470PF | 29509-147 | TAI | LC471M1RO | |
| L22-25 | Filter, EMI, W/BEAD, 50V,1000PF | 29508-210 | TAI | STB102KB | |

Miscellaneous

| | | | | | |
|-----|-------------------------|-----------|----|------------|--|
| FB1 | Ferrite Bead, with wire | 29506-001 | FR | 2743001111 | |
|-----|-------------------------|-----------|----|------------|--|

FOOTNOTES:

- (1) See page 6-26 for Vendor abbreviations
- (2) No Alternate Vendors known at publication
- (3) Actual part is specially selected from part listed, consult Factory

- (4) Realignment may be required if replaced, see Circuit Description and/or Alignment Instructions

SPECIFICATIONS
REPLACE

OPTIMOD-FM 8200
Front Panel Assembly - Miscella
Input Filter Board Assembly - Ca
Miscellaneous.

| REF DES | DESCRIPTION | ORBAN P/N | VEN (1) | VENDOR P/N | ALTERNATE VENDORS (1) | NOTES |
|------------|-------------|-----------|------------|------------|--------------------------|-------|
|------------|-------------|-----------|------------|------------|--------------------------|-------|

MAIN DISPLAY BOARD ASSEMBLY

Capacitors

| | | | | | | |
|----------|---------------------------------------|-----------|-----|------------------|-----|--|
| C100,101 | Mica, 500V, +1/2pF -1/2pF; 22pF | 21017-022 | CD | CD15-CD220D03 | SAN | |
| C200,201 | Mica, 500V, 1%; 270pF | 21018-127 | CD | CD15-FD271F03 | SAN | |
| C300-302 | Alum., Radial, 25V, -20% +100%; 100uF | 21206-710 | PAN | ECE-A1EV101S | | |
| C303-327 | Monolythic Ceramic, 50V, 20%; 0.1uF | 21123-410 | SPR | 1C25 Z5U104M050B | KEM | |

Diodes

| | | | | | | |
|-------|----------------------------|-----------|-----|--------|------|--|
| CR100 | Diode, Rectifier, 400V, 1A | 22201-400 | MOT | 1N4004 | MANY | |
|-------|----------------------------|-----------|-----|--------|------|--|

Integrated Circuits

| | | | | | | |
|---------|-----------------------------------|-----------|-----|--------------|-----|--|
| IC1,2 | Digital, Octal Flip-Flop | 24553-302 | NAT | MM74HC374 | | |
| IC3 | Digital, RAM | 24811-302 | TOS | TC5565APL15L | | |
| IC4 | Digital, LCD Controller | 24723-000 | OKI | MSM62556GS | | |
| IC5 | Digital, Schmitt Trigger Inverter | 24582-302 | MOT | 74HC14A | | |
| IC6-8 | Digital, Dual Flip-Flop | 24567-302 | RCA | CD74HC74N | SIG | |
| IC9 | Digital, Schmitt Trigger Inverter | 24582-302 | MOT | 74HC14A | | |
| IC10 | Digital, AND Gate | 24576-302 | RCA | CD74HC08 | | |
| IC11 | Digital, Quad OR Gate | 24571-302 | NAT | MM74HC32N | TI | |
| IC12 | Digital, Dual Flip-Flop | 24567-302 | RCA | CD74HC74N | SIG | |
| IC13,14 | Digital, Octal Flip-Flop | 24553-302 | NAT | MM74HC374 | | |
| IC15 | Digital, Line Decoder | 24569-302 | NAT | MM74HC138N | TI | |
| IC16 | Digital, Octal Flip-Flop | 24553-302 | NAT | MM74HC374 | | |
| IC17,18 | Digital, Buffer | 24568-302 | NAT | MM74HC244N | TI | |
| IC19 | Digital, Binary Counter | 24583-302 | RCA | CD74HC393 | | |
| IC20 | Digital, Quad 2-Input NAND | 24559-302 | RCA | 74HCT132E | TI | |

Miscellaneous

| | | | | | | |
|------|---------------------|-----------|-----|-------|--|--|
| Y100 | Crystal; 4.9152 MHz | 28051-003 | MID | C1700 | | |
|------|---------------------|-----------|-----|-------|--|--|

Modules

| | | | | | | |
|------|-----------------------------|-----------|-----|---------|--|--|
| A100 | Digital, Inverter, DC to AC | 24722-000 | TDK | CXAM10L | | |
|------|-----------------------------|-----------|-----|---------|--|--|

FOOTNOTES:

- (1) See page 6-26 for Vendor abbreviations
- (2) No Alternate Vendors known at publication
- (3) Actual part is specially selected from part listed, consult Factory

- (4) Realignment may be required if replaced, see Circuit Description and/or Alignment Instructions

SPECIFICATIONS REPLACE

OPTIMOD-FM 8200
Main Display Board Assembly -
Integrated Circuits, Miscella

| <u>REF DES</u> | <u>DESCRIPTION</u> | <u>ORBAN P/N</u> | <u>VEN (1)</u> | <u>VENDOR P/N</u> | <u>ALTERNATE VENDORS (1)</u> | <u>NOTES</u> |
|--------------------|--------------------|------------------|--------------------|-------------------|----------------------------------|--------------|
|--------------------|--------------------|------------------|--------------------|-------------------|----------------------------------|--------------|

Resistors

| | | | | | | |
|------|-----------------------------|-----------|-----|-----------|--|--------|
| R104 | Pot, Single; 500 OHM (5050) | 20747-000 | ORB | | | Linear |
| R204 | Resistor Network, SIP; 100K | 20221-101 | BEK | L10-1C104 | | |

Transistors

| | | | | | | |
|------|--------------------------------|-----------|----|--------|-----|--|
| Q100 | Transistor, Power, NPN; TO-220 | 23604-201 | TI | TIP122 | RCA | |
|------|--------------------------------|-----------|----|--------|-----|--|

MISCELLANEOUS

Miscellaneous

| | | | | | | |
|--|---------------------|-----------|-----|-------|------|--|
| | Extender Card 48/48 | 31510-002 | | | | |
| | Line Cord, CEE | 28102-002 | BEL | 17500 | MANY | |

POWER SUPPLY CHASSIS

Integrated Circuits

| | | | | | | |
|-----|------------------------------|-----------|-----|------------|--------|--|
| IC1 | D.C. Regulator, 15V Positive | 24304-901 | NAT | LM78M15UC | TI,MOT | |
| IC2 | D.C. Regulator, 15V Negative | 24303-901 | NAT | LM79M15AUC | TI,MOT | |

FOOTNOTES:

- (1) See page 6-26 for Vendor abbreviations
- (2) No Alternate Vendors known at publication
- (3) Actual part is specially selected from part listed, consult Factory

- (4) Realignment may be required if replaced, see Circuit Description and/or Alignment Instructions

**SPECIFICATIONS
REPLACE**

OPTIMOD-FM 8200
Main Display Board Assembly -
Miscellaneous - Miscellaneous.
Power Supply Cord - Integrated

| REF DES | DESCRIPTION | ORBAN P/N | VEN (1) | VENDOR P/N | ALTERNATE VENDORS (1) | NOTES |
|------------|-------------|-----------|------------|------------|--------------------------|-------|
|------------|-------------|-----------|------------|------------|--------------------------|-------|

REGULATOR BOARD ASSEMBLY

Capacitors

| | | | | | | |
|----|---------------------------------------|-----------|-----|------------------|-----|--|
| C1 | Alum., Axial, 40V, -10% +100%; 1000uF | 21224-810 | SIE | B41010-1000-40 | PAN | |
| C2 | Monolythic Ceramic, 50V, 20%; 0.1uF | 21123-410 | SPR | 1C25 Z5U104M050B | KEM | |
| C3 | Alum., Radial, 25V, -20% +100%; 100uF | 21206-710 | PAN | ECE-A1EV101S | | |
| C4 | Monolythic Ceramic, 50V, 20%; 0.1uF | 21123-410 | SPR | 1C25 Z5U104M050B | KEM | |
| C5 | Alum., Axial, 40V, -10% +100%; 1000uF | 21224-810 | SIE | B41010-1000-40 | PAN | |
| C6 | Monolythic Ceramic, 50V, 20%; 0.1uF | 21123-410 | SPR | 1C25 Z5U104M050B | KEM | |
| C7 | Alum., Radial, 25V, -20% +100%; 100uF | 21206-710 | PAN | ECE-A1EV101S | | |
| C8 | Monolythic Ceramic, 50V, 20%; 0.1uF | 21123-410 | SPR | 1C25 Z5U104M050B | KEM | |

Diodes

| | | | | | | |
|-------|----------------------------|-----------|------|--------|------|--|
| CR1 | Diode, Bridge, 200V, 1A | 22301-000 | VARO | VE-27 | GI | |
| CR2,3 | Diode, Rectifier, 400V, 1A | 22201-400 | MOT | 1N4004 | MANY | |

Inductors

| | | | | | | |
|----|--------------|-----------|-----|-------|--|--|
| L1 | Filter, Line | 28012-000 | DEL | 03ME1 | | |
|----|--------------|-----------|-----|-------|--|--|

Miscellaneous

| | | | | | | |
|------|---------------------------|-----------|-----|--------------|-----|----------|
| F1 | Fuse, 3AG, Slo-Blo, 1/2A | 28004-150 | LFE | 313.500 | BUS | Domestic |
| F1 | Fuse, Type T, 1/4A | 28025-125 | LFE | 218.250 | | European |
| F2 | Fuse, 3AG, Slo-Blo, 4A | 28004-240 | LFE | 313.004 | | Domestic |
| F2 | Fuse, Type T, 2A | 28025-220 | LFE | 218.002 | | European |
| F3,4 | Fuse, Type T, 1/2A | 28025-150 | LFE | 218.500 | | European |
| PS1 | Switcher, Power Supply | 42026-000 | ORB | | | |
| T1 | Transformer, Power; 51VCT | 55015-000 | ORB | | | |
| V1 | Varistor; 430V | 22500-431 | PAN | ERZ-C10DK431 | | |

Resistors

| | | | | | | |
|------|--------------------------------|-----------|------|---------|--|--|
| R1-3 | Resistor, 1/4W; 0 OHM (Jumper) | 20020-025 | ROHM | JPW-02A | | |
|------|--------------------------------|-----------|------|---------|--|--|

Switches

| | | | | | | |
|----|---------------------------------------|-----------|-----|-------------|--|--|
| S1 | Switch, Push-Push; DPST | 26118-000 | SCH | NE18-2AEESP | | |
| S2 | Switch, Slide, Mains voltage selector | 26143-000 | SW | EPS2-PC3 | | |

FOOTNOTES:

- (1) See page 6-26 for Vendor abbreviations
- (2) No Alternate Vendors known at publication
- (3) Actual part is specially selected from part listed, consult Factory

- (4) Realignment may be required if replaced, see Circuit Description and/or Alignment Instructions

SPECIFICATIONS REPLACEMENT

OPTIMOD-FM 8200
Regular Board Assembly - Capacitors,
Inductors, Miscellaneous, Resistors

| REF DES | DESCRIPTION | ORBAN P/N | VEN (1) | VENDOR P/N | ALTERNATE VENDORS (1) | NOTES |
|------------|-------------|-----------|------------|------------|--------------------------|-------|
|------------|-------------|-----------|------------|------------|--------------------------|-------|

STEREO GENERATOR BOARD ASSEMBLY

Capacitors

| | | | | | | |
|--------|---------------------------------------|-----------|-----|------------------|---------|--|
| C1 | Mica, 500V, +1/2pF -1/2pF; 5pF | 21017-005 | CD | CD15-CD050D03 | SAN | |
| C2,3 | Ceramic, Trim.; 0.5pF-3pF | 21811-000 | ME | 2502AOR503V | | |
| C5 | Met. Polyester, 100V, 10%; 0.22uF | 21441-422 | WES | 160D224K100 | SIE | |
| C6 | Mica, 500V, 1%; 510pF | 21022-151 | CD | CD19-FD511F03 | SAN | |
| C7 | Mica, 500V +1/2pF -1/2pF; 15pF | 21017-015 | CD | CD15-CD150D03 | SAN | |
| C8 | Mica, 500V, 1%; 1000pF | 21022-210 | CD | CD19-FD102F03 | SAN | |
| C9 | Mica, 500V, +1/2pF -1/2pF; 47pF | 21017-047 | CD | CD15-CD470D03 | SAN | |
| C10 | Mica, 500V, +1/2pF -1/2pF; 33pF | 21017-033 | CD | CD15-CD330D03 | SAN | |
| C11 | Mica, 500V, 1%; 470pF | 21022-147 | CD | CD19-FD471F03 | SAN | |
| C12 | Met. Polyester, 100V, 10%; 0.1uF | 21441-410 | WIM | MKS-4100V5.0.1 | WES,SIE | |
| C13,14 | Mica, 500V, 1%; 1000pF | 21022-210 | CD | CD19-FD102F03 | SAN | |
| C15 | Mica, 500V, +1/2pF -1/2pF; 10pF | 21017-010 | CD | CD15-CD100D03 | SAN | |
| C16 | Polypropylene, 50V, 2.5%; 0.01uF | 21702-310 | NOB | CQ15P1H103GPP | WES | |
| C19 | Monolythic Ceramic, 50V, 20%; 0.1uF | 21123-410 | SPR | 1C25 Z5U104M050B | KEM | |
| C20 | Met. Polyester, 100V, 10%; 0.1uF | 21441-410 | WIM | MKS-4100V5.0.1 | WES,SIE | |
| C21,22 | Mica, 500V, 1%; 1500pF | 21022-215 | CD | CD19-FD152F03 | SAN | |
| C23,24 | Mica, 500V, +1/2pF -1/2pF; 22pF | 21017-022 | CD | CD15-CD220D03 | SAN | |
| C25 | Mica, 500V, +1/2pF -1/2pF; 3pF | 21017-003 | CD | CD15-CD030D03 | SAN | |
| C40,41 | Mica, 500V +1/2pF -1/2pF; 39pF | 21017-039 | CD | CD15-CD390D03 | SAN | |
| C42,43 | Monolythic Ceramic, 50V, 20%; 0.1uF | 21123-410 | SPR | 1C25 Z5U104M050B | KEM | |
| C44 | Alum., Radial, 25V, -20% +100%; 100uF | 21206-710 | PAN | ECE-A1EV101S | | |
| C45,46 | Monolythic Ceramic, 50V, 20%; 0.1uF | 21123-410 | SPR | 1C25 Z5U104M050B | KEM | |
| C47 | Alum., Radial, 25V, -20% +100%; 100uF | 21206-710 | PAN | ECE-A1EV101S | | |
| C48,49 | Monolythic Ceramic, 50V, 20%; 0.1uF | 21123-410 | SPR | 1C25 Z5U104M050B | KEM | |
| C50 | Alum., Radial, 25V, -20% +100%; 100uF | 21206-710 | PAN | ECE-A1EV101S | | |
| C51,52 | Monolythic Ceramic, 50V, 20%; 0.1uF | 21123-410 | SPR | 1C25 Z5U104M050B | KEM | |
| C53 | Alum., Radial, 25V, -20% +100%; 100uF | 21206-710 | PAN | ECE-A1EV101S | | |
| C54,55 | Monolythic Ceramic, 50V, 20%; 0.1uF | 21123-410 | SPR | 1C25 Z5U104M050B | KEM | |
| C56 | Alum., Radial, 25V, -20% +100%; 100uF | 21206-710 | PAN | ECE-A1EV101S | | |
| C57-60 | Monolythic Ceramic, 50V, 20%; 0.1uF | 21123-410 | SPR | 1C25 Z5U104M050B | KEM | |
| C61,62 | Met. Polyester, 100V, 10%; 0.01uF | 21441-310 | WES | 160C 103K630 | SIE,WIM | |
| C63-84 | Monolythic Ceramic, 50V, 20%; 0.1uF | 21123-410 | SPR | 1C25 Z5U104M050B | KEM | |
| C90 | Monolythic Ceramic, 50V, 20%; 0.1uF | 21123-410 | SPR | 1C25 Z5U104M050B | KEM | |

FOOTNOTES:

- (1) See page 6-26 for Vendor abbreviations
- (2) No Alternate Vendors known at publication
- (3) Actual part is specially selected from part listed, consult Factory

- (4) Realignment may be required if replaced, see Circuit Description and/or Alignment Instructions

SPECIFICATIONS REPLACE

OPTIMOD-FM 8200
Stereo Generator Board Assembl

| <u>REF DES</u> | <u>DESCRIPTION</u> | <u>ORBAN P/N</u> | <u>VEN (1)</u> | <u>VENDOR P/N</u> | <u>ALTERNATE VENDORS (1)</u> | <u>NOTES</u> |
|--|-------------------------------------|------------------|--------------------|-------------------|---|--------------|
| <u>Capacitors (continued)</u> | | | | | | |
| C91 | Mica, 500V, 5%; 150pF | 21020-115 | CD | CD15-FD151J03 | SAN | |
| C92 | Monolythic Ceramic, 50V, 20%; 0.1uF | 21123-410 | SPR | 1C25 Z5U104M050B | KEM | |
| <u>Diodes</u> | | | | | | |
| CR1,2 | Diode, Signal, Hot Carrier | 22102-001 | HP | HP5082-2800 | MANY | |
| CR5,6 | Diode, Rectifier, 400V, 1A | 22201-400 | MOT | 1N4004 | MANY | |
| CR7-10 | Diode, Signal, Hot Carrier | 22102-001 | HP | HP5082-2800 | MANY | |
| CR20 | Diode, Voltage Reference | 22081-112 | NAT | LM385 | MOT | |
| <u>Inductors</u> | | | | | | |
| L1 | Inductor, Variable | 29705-004 | ORB | | | |
| L2 | Inductor, Variable | 29705-005 | ORB | | | |
| <u>Integrated Circuits</u> | | | | | | |
| IC1,2 | Linear, Dual Opamp | 24207-202 | SIG | NE5532N | TI,EXR | |
| IC3,4 | Linear, Dual Opamp | 24209-202 | NAT | LF412CN | | |
| IC5-7 | Linear, Single Opamp | 24008-202 | TI | LM318N | NAT | |
| IC8 | Linear, Dual Opamp | 24207-202 | SIG | NE5532N | TI,EXR | |
| IC10-12 | Digital, 2-Channel Multiplexer | 24562-302 | NAT | MM7HC4053 | | |
| IC13,14 | Quad Comparator | 24710-302 | NAT | LM339 | | |
| IC15 | Linear, Single Opamp | 24008-202 | TI | LM318N | NAT | |
| IC16 | Power Buffer | 24707-102 | LT | LT1010CH | | |
| IC17,18 | Digital, Octal Flip-Flop | 24553-302 | NAT | MM74HC374 | | |
| IC19 | D.C. Regulator, 5V Positive | 24307-901 | NAT | LM78M05C | TI,MOT | |
| IC20 | D.C. Regulator, 5V Negative | 24308-901 | NAT | LM79M05C | TI,MOT | |
| IC21 | Digital, Buffer | 24568-302 | NAT | MM74HC244N | TI | |
| IC22 | Digital, Up-Counter | 24508-302 | RCA | CD4520BE | | |
| IC23 | Digital, Dual Flip-Flop | 24567-302 | RCA | CD74HC74N | SIG | |
| IC24 | Digital, Hex Inverter | 24572-302 | NAT | 74HC04N | TI | |
| IC25 | Digital, Magnitude Comparator | 24574-302 | SIG | 74HC85N | TI | |
| IC26 | Linear, Single Opamp | 24008-202 | TI | LM318N | NAT | |
| IC27 | Power Buffer | 24707-102 | LT | LT1010CH | | |
| IC28,29 | Linear, Dual Opamp | 24209-202 | NAT | LF412CN | | |
| IC31 | Digital, PROM | 44001-002 | ORB | | | |
| FOOTNOTES: (1) See page 6-26 for Vendor abbreviations (2) No Alternate Vendors known at publication (3) Actual part is specially selected from part listed, consult Factory (4) Realignment may be required if replaced, see Circuit Description and/or Alignment Instructions | | | | | SPECIFICATIONS REPLACE OPTIMOD-FM 8200 Stereo Generator Board Assembl Capacitors, Diodes, Inducto Integrated Circuits. | |

| <u>REF DES</u> | <u>DESCRIPTION</u> | <u>ORBAN P/N</u> | <u>VEN (1)</u> | <u>VENDOR P/N</u> | <u>ALTERNATE VENDORS (1)</u> | <u>NOTES</u> |
|--------------------|--------------------|------------------|--------------------|-------------------|----------------------------------|--------------|
|--------------------|--------------------|------------------|--------------------|-------------------|----------------------------------|--------------|

Integrated Circuits (continued)

| | | | | | | |
|------|-----------------------|-----------|-----|------------|----|--|
| IC32 | Digital, Converter | 24726-302 | AD | AD7576JN | | |
| IC34 | Digital, Line Decoder | 24569-302 | NAT | MM74HC138N | TI | |

Miscellaneous

| | | | | | | |
|----|--------------------|-----------|-----|----------------|--|--|
| Y1 | Crystal; 4.864 MHz | 28052-002 | NEL | NE-18-4.864MHz | | |
|----|--------------------|-----------|-----|----------------|--|--|

Resistors

| | | | | | | |
|------|--------------------------------|-----------|------|-----------|-----|--|
| R37 | Trimpot, Cermet, 20 Turn; 1K | 20512-210 | BEK | 89PR1K | BRN | |
| R50 | Trimpot, Cermet, 20 Turn; 5K | 20512-250 | BEK | 89PR5K | BRN | |
| R66 | Trimpot, Cermet, 20 Turn; 25K | 20512-325 | BEK | 89PR25K | BRN | |
| R72 | Trimpot, Cermet, 20 Turn; 25K | 20512-325 | BEK | 89PR25K | BRN | |
| R102 | Resistor, 1/4W; 0 OHM (Jumper) | 20020-025 | ROHM | JPW-02A | | |
| R103 | Resistor Network, SIP; 100K | 20221-101 | BEK | L10-1C104 | | |

Switches

| | | | | | | |
|----|----------------------|-----------|------|--------------|--|--|
| S1 | Switch, Rotary; 2P3T | 26205-000 | ELSW | 080-020330NX | | |
|----|----------------------|-----------|------|--------------|--|--|

Transistors

| | | | | | | |
|--------|-------------------------|-----------|-----|--------|-----|--|
| Q1-5 | Transistor, JFET/N | 23403-101 | NAT | J111 | INS | |
| Q8 | Transistor, Signal, PNP | 23002-101 | MOT | 2N4402 | FSC | |
| Q9 | Transistor, JFET/N | 23403-101 | NAT | J111 | INS | |
| Q10 | Transistor, Signal, NPN | 23202-101 | MOT | 2N4400 | FSC | |
| Q30,31 | Transistor, JFET/N | 23403-101 | NAT | J111 | INS | |

SWITCH BOARD ASSEMBLY

LED

| | | | | | | |
|------|------------|-----------|-----|---------|--|--|
| None | LED, Green | 25107-002 | MAT | LN322GP | | |
|------|------------|-----------|-----|---------|--|--|

Switches

| | | | | | | |
|----|-------------------------|-----------|-----|---------------|--|--|
| S5 | Switch, Rotary, Encoder | 26080-000 | CLA | 600EN-128-CBL | | |
|----|-------------------------|-----------|-----|---------------|--|--|

FOOTNOTES:

- (1) See page 6-26 for Vendor abbreviations
- (2) No Alternate Vendors known at publication
- (3) Actual part is specially selected from part listed, consult Factory

- (4) Realignment may be required if replaced, see Circuit Description and/or Alignment Instructions

**SPECIFICATIONS
REPLACEMENT**

OPTIMOD-FM 8200
Stereo Generator Board Assembly
Miscellaneous, Resistors, S
Switch Board Assembly - LED, S

| |
|---------------------|
| Vendor Codes |
|---------------------|

| | | | | | |
|---|---|--|--|--|---|
| AB Rockwell Allen-Bradley 625 Liberty Ave Pittsburgh, PA 15222-3123 | CTS CTS Corporation 907 North West Blvd. Elkhart, IN 46514 | HA Harris Semiconductor 1301 Woody Burke Rd. Melbourne, FL 32901 | MAT Matsushita Electric Corp of America One Panasonic Way Secaucus, NJ 07094 | PAN Panasonic Industrial Company Two Panasonic Way 7E-2T Secaucus, NJ 07094 | S.W. Seitchcraft A Raytheon Company 5555 N. Elation Avenue Chicago, IL 60630 |
| AD Analog Devices, Inc. One Technology Way PO Box 9106 Norwood, MA 02062-9106 | CW CW Industries 130 James Way Southampton, PA 18966 | HO Hoyt Elect. Inst. Works 19 Linden St. Penacook, NH 03303 | ME Mepcopal/Centralab A North American Phillips Corp. 11468 Sorrento Valley Road San Diego, CA 92121 | QT Quality Technologies, Inc. 610 North Mary Ave. Sunnyvale, CA 94086 | AT Taiga America, Inc. 700 Frontier Way Bensenville, IL 60106 |
| AKG AKG Acoustics, Inc. See Orban | DBX dbx A Harman International Company 8760 South Sandy Parkway Sandy, UT 84107 | HP Hewlett-Packard Co. Components Group 640 Page Mill Road Palo Alto, CA 94304 | MID Hollingsworth/Wearnes 1601 N. Powerline Rd. Pampano, FL 33069 | RAL Raltron Electronics Corp. 2315 NW 107th Ave. Miami, FL 33172 | TDK TDK Electronics Corporation 12 Harbor Park Port Washington, NY 11050 |
| AM Amphenol Corporation 358 Hall Avenue Wallingford, CT 06492 | DEL Delta Products Corp 3225 Laurel View Ct. Fremont, CA 94538 | INS Intersil, Inc. See Harris Semiconductor | MIL J.W. Miller Division Bell Industries 306 E. Alondra Gardena, CA 90247 | RAY Raytheon Company Semiconductor Division 350 Ellis Street Mountain View, CA 94039 | TI Texas Instruments, Inc. PO Box 655012 Dallas, TX 75265 |
| BEK Beckman Industrial Corporation 4141 Palm Street Fullerton, CA 92635-1025 | DUR Duracell, Inc. Berkshire Industrial Park Bethel, CT 06801 | ITW ITW Switches An Illinois Tool Works Co. 6615 W. Irving Park Rd. Dept. T Chicago, IL 60634 | MOT Motorola Semiconductor PO Box 20912 Phoenix, AZ 85036 | RCA RCA Solid State See Harris Semiconductor | TOS Toshiba America, Inc. 9740 Irvine Blvd. Irvine, CA 92718 |
| BEL Belden Electronic Wire & Cable PO Box 1980 Richmond, IN 47374 | ELSW Electro Switch 77 King Avenue Weymouth, MA 02188 | KEM KEMET Electronics Corporation Post Office Box 5928 Greenville, South Carolina 29606 | MUR Murata Erie North America 2200 Lake Park Drive Smyrna, GA 30080 | ROHM Rohm Electronics 3034 Owens Dr. Antioch, TENN 37013 | TRW TRW Electronics Components Connector Division 1501 Morse Avenue Elk Grove Village, IL 60007 |
| BRN Bourns, Inc Resistive Components Group 1200 Columbia Avenue Riverside, CA 92507 | EMI Crompton Modutec 920 Candia Rd. Manchester, NH 03109 | KEY Keystone Electronics Corp. 31-07 20th Rd. Astoria, NY 11105 | NAT National Semiconductor Corp. 2900 Semiconductor Drive PO Box 58090 Santa Clara, CA 95051 | SAE Stanford Applied Engineering, Inc 340 Martin Avenue Santa Clara, CA 95050 | VARO Micro Quality Semiconductor, Inc. PO Box 469013 Garland, TX 75046-9013 |
| BUS Bussmann Division Cooper Industries PO Box 14460 St. Louis, MO 63178 | EXR Exar Corporation 2222 Qume Dr. PO Box 49007 San Jose, CA 95161-9007 | LFE Littlefuse A Subsidiary of Tracor, Inc. 800 E. Northwest Hwy Des Plaines, IL 60016 | NEL Crystal Biotech 75 South Street Hopkinton, MA 01748 | SAN Sangamo Weston Inc. Capacitor Division See Cornell-Dubilier | WES Westlake See Mallory Capacitor Co. |
| CD Cornell-Dubilier Electronics 1700 Rte. 23 North Wayne, NJ 07470 | FR Fair-Rite Products Corp. PO Box J Wallkill, NY 12589 | LT Linear Technology Corp. 1630 McCarthy Blvd. Milpitas, CA 95035 | NOB Noble U.S.A., Incorporated 5450 Meadowbrook Industrial Ct. Rolling Meadows, IL 60008 | SCH ITT Schadow, Inc. 8081 Wallace Road Eden Prairie, MN 55344 | WIM Wima Division 2269 Saw Mill Rd. Building 4C PO Box 217 Elmsford, NY 10533 |
| CRL Mepcopal/Centralab See Mepcopal | FSC Fairchild Camera & Instr. Corp. See National Semiconductor | LUMX Lumex Opto/Components Inc. 292 E. Hellen Road Palatine, IL 60067 | OKI OKI Semiconductor 785 N. Mary Ave. Sunnyvale, CA 94086-2909 | SIE Siemens Components Inc. Heimann Systems Div. 186 Wood Avenue South Iselin, NJ 08830 | ZI ZILOG Inc. 210 Hacienda Ave. Campbell, CA 95008 |
| CSC Crystal Semiconductor Corporation 4210-T. South Industrial Dr. Austin, TX 78744 | GI General Instruments Optoelectronics Division See Quality Technologies | MAL Mallory Capacitor Co. 7545 Rockville Rd. PO Box 1284 Indianapolis, IN 46241 | OHM Ohmite Manufacturing Company 3601 Howard Street Skokie, IL 60076 | SIG Philips Components - Signetics North American Phillips Corp. 811 E. Arques Sunnyvale, CA 94088 | |
| | | MAR Marquardt Switches, Inc. 2711-TR Route 20 East Cazenovia, NY 13035 | ORB Orban A Harman International Company 1525 Alvarado Street San Leandro, CA 94577 | SPR Sprague Electric Co. 41 Hampden Road PO Box 9102 Manifold, MA 02048-9102 | |

Schematics, Assembly Drawings

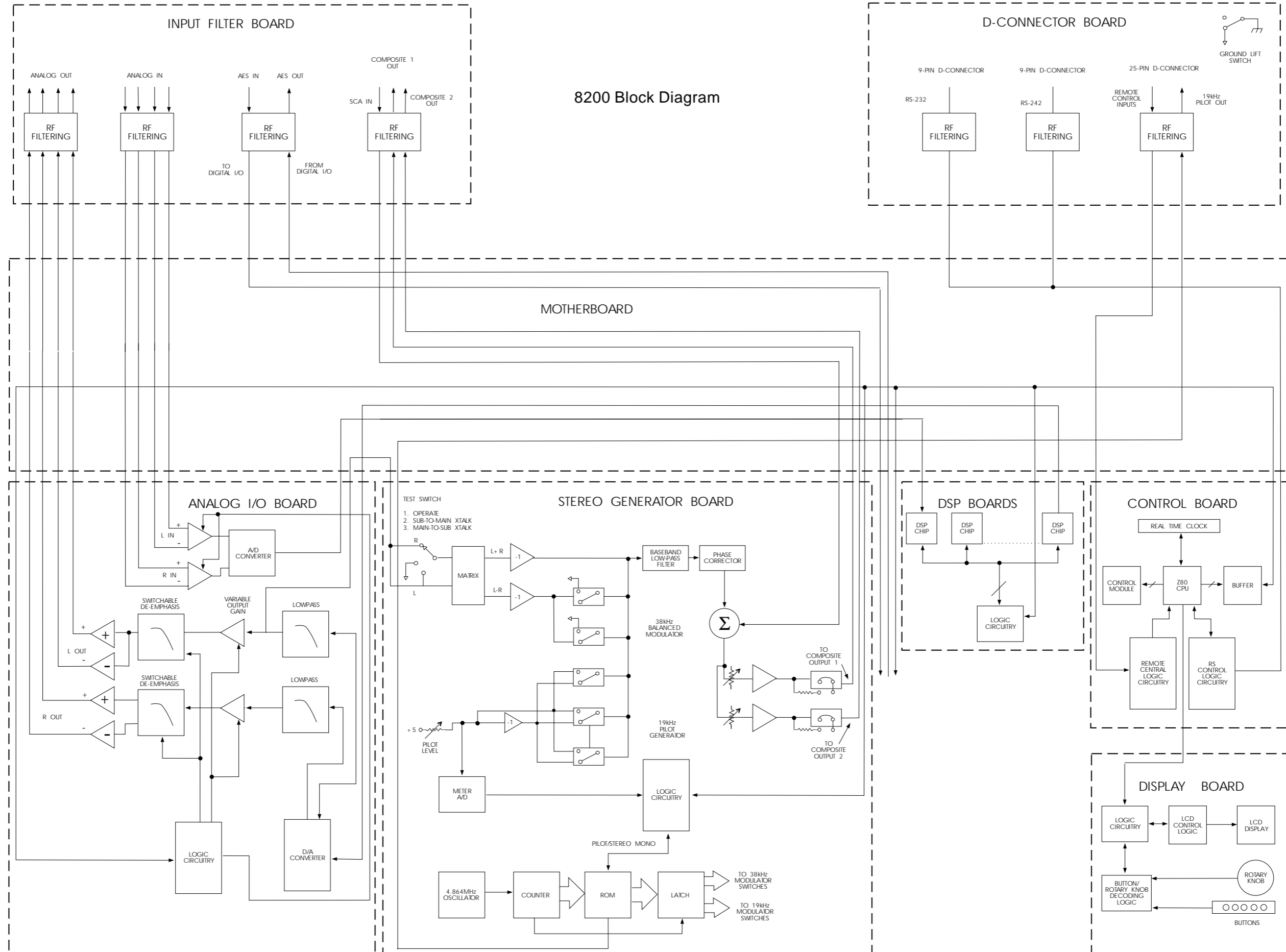
The following drawings are included in this manual:

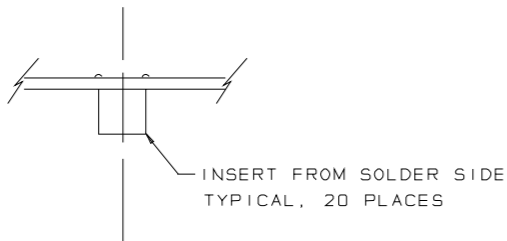
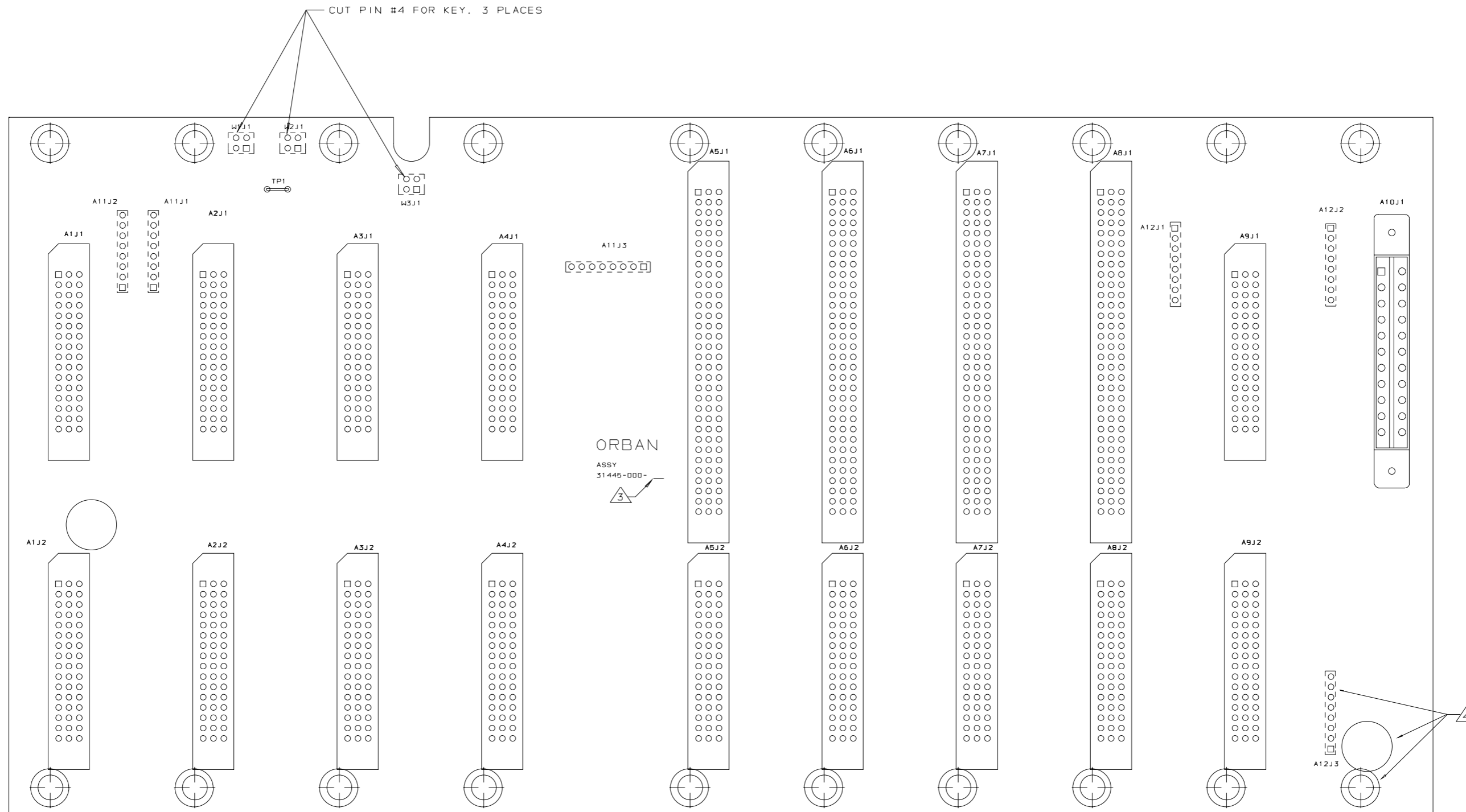
| Page | Circuit Board | Drawing |
|------|----------------|------------------|
| 6-46 | Block Diagram | Assembly Drawing |
| 6-47 | Mother | Assembly Drawing |
| 6-48 | Mother | Schematic 1 of 5 |
| 6-49 | | 2 of 5 |
| 6-50 | | 3 of 5 |
| 6-51 | | 4 of 5 |
| 6-52 | | 5 of 5 |
| 6-53 | Control | Assembly Drawing |
| 6-54 | Control | Schematic 1 of 2 |
| 6-55 | | 2 of 2 |
| 6-56 | DSP | Assembly Drawing |
| 6-57 | DSP | Schematic 1 of 4 |
| 6-58 | | 2 of 4 |
| 6-59 | | 3 of 4 |
| 6-60 | | 4 of 4 |
| 6-61 | Analog I/O | Assembly Drawing |
| 6-62 | Analog I/O | Schematic 1 of 4 |
| 6-63 | | 2 of 4 |
| 6-64 | | 3 of 4 |
| 6-65 | | 4 of 4 |
| 6-66 | Stereo Encoder | Assembly Drawing |
| 6-67 | Stereo Encoder | Schematic 1 of 3 |
| 6-68 | | 2 of 3 |
| 6-69 | | 3 of 3 |
| 6-71 | Display | Assembly Drawing |
| 6-72 | Display | Schematic 1 of 2 |
| 6-73 | | 2 of 2 |
| 6-74 | Regulator | Assembly Drawing |
| 6-75 | Regulator | Schematic |
| 6-76 | Input Filter | Assembly Drawing |
| 6-77 | Input Filter | Schematic |
| 6-78 | D-Connector | Assembly Drawing |
| 6-79 | D-Connector | Schematic |

These drawings reflect the actual construction of your unit as accurately as possible. Any differences between the drawings and your unit are almost undoubtedly due to product improvements or production changes since the publication of this manual.

If you intend to replace parts, please read page 6-27

8200 Block Diagram

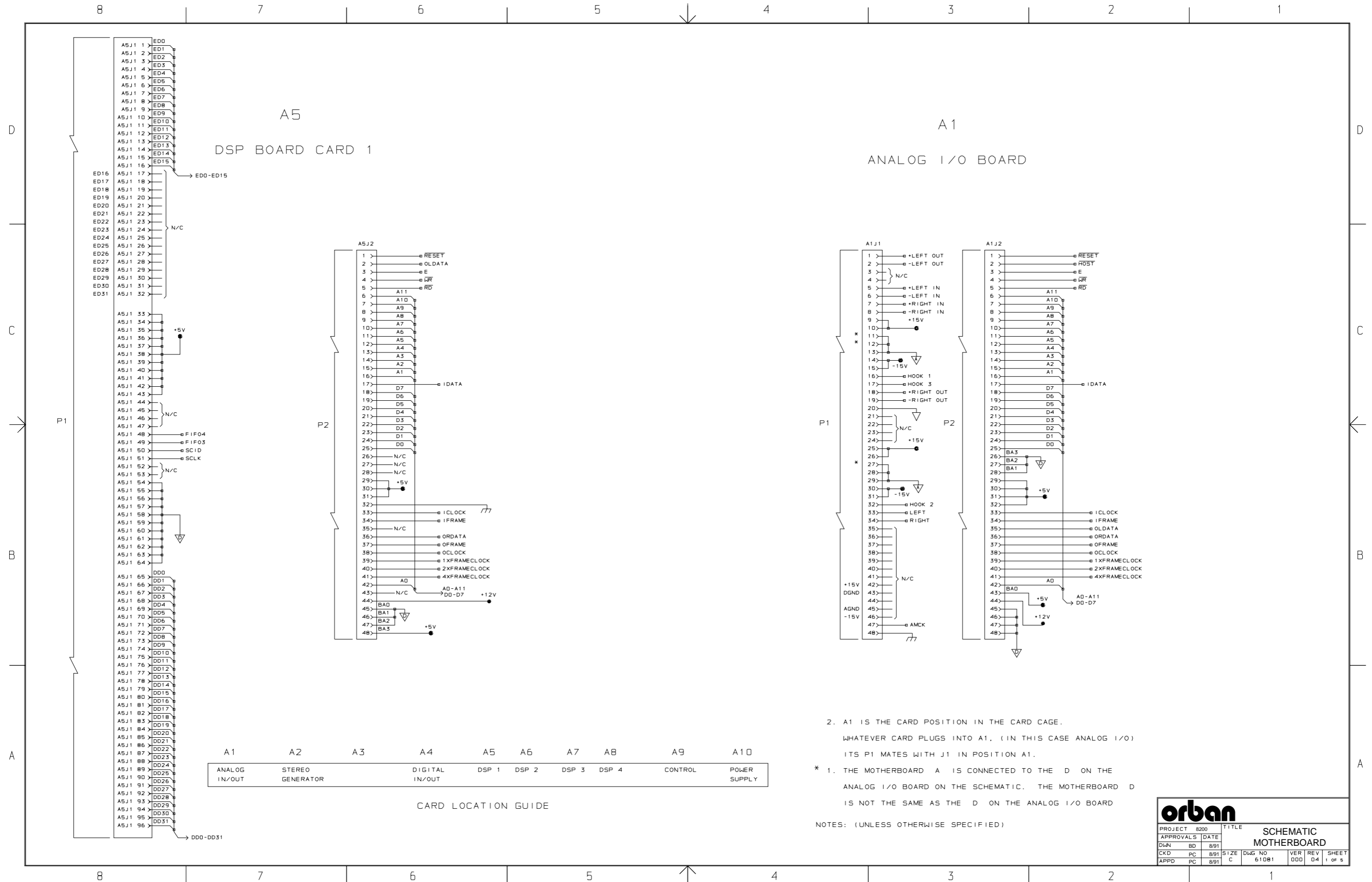




COMPONENT SIDE

5. CONNECTORS SHOWN AS DASHED LINES TO BE MOUNTED ON SOLDER SIDE OF PCB AFTER WAVE SOLDER OF COMPONENT SIDE CONNECTIONS.
 4. MASK ALL MOUNTING HOLES AND HOLES FOR SOLDER SIDE CONNECTORS BEFORE WAVE SOLDERING.
 3. MARK ASSEMBLY REVISION LEVEL IN SPACE PROVIDED
 2. REFERENCE SCHEMATIC DRAWING NO. 610B1
 1. SQUARE PADS INDICATE PIN 1 OF CONNECTORS, CATHODE OF DIODES, POS. SIDE OF CAPS., PIN 1 OF ICS
- NOTES: (UNLESS OTHERWISE SPECIFIED)

| | | | | | | |
|--------------|------|------|--|--------|-----|--------|
| orban | | | TITLE PCB ASSEMBLY MOTHERBOARD | | | |
| MODEL | 8200 | DATE | SIZE | DWG NO | VER | SHEET |
| APPROVALS | BD | 5/91 | C | 31445 | 000 | 1 OF 1 |
| CHKD | MJ | 5/91 | | | 02 | |
| APPD | MJ | 5/91 | | | | |

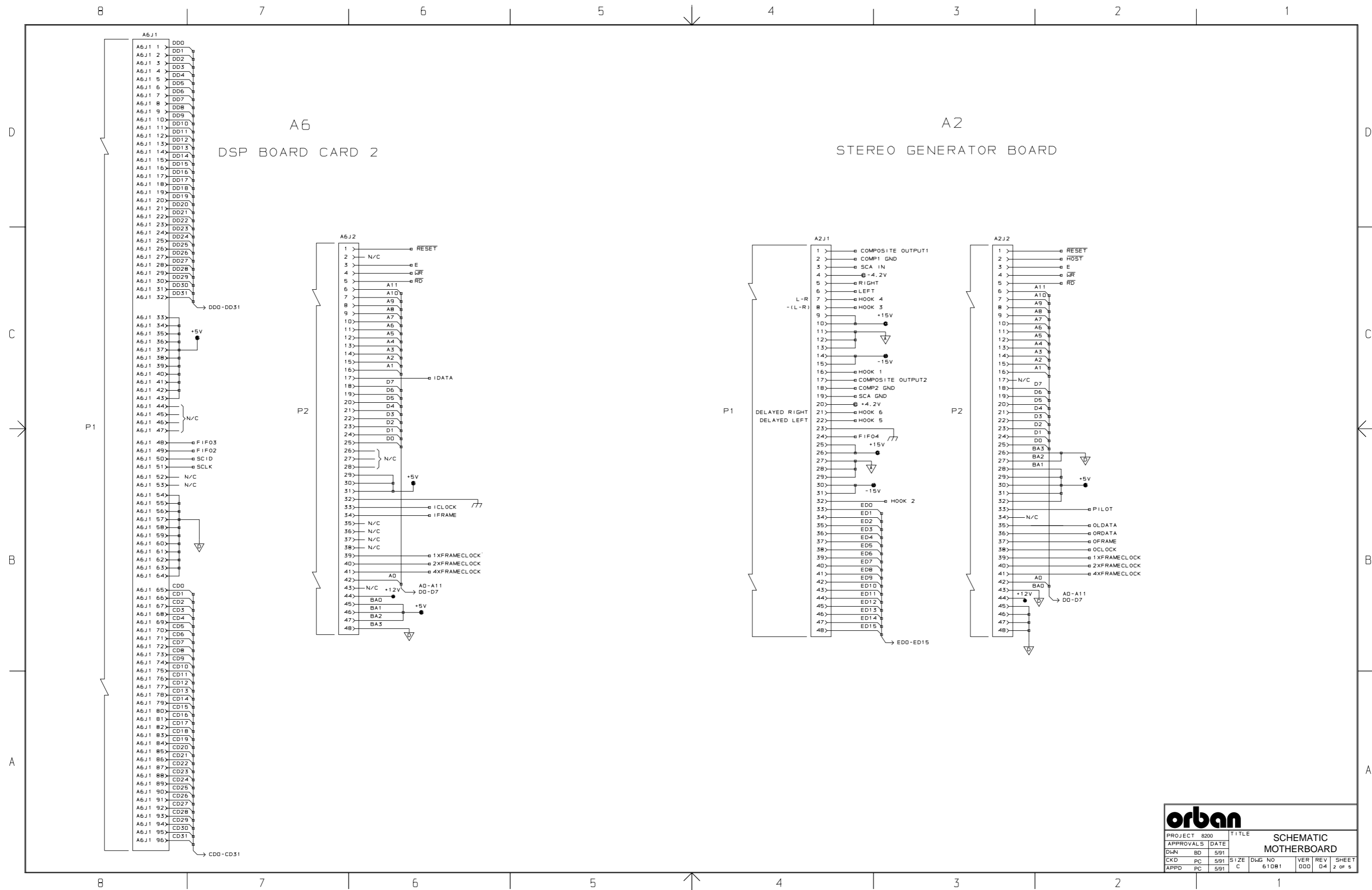


2. A1 IS THE CARD POSITION IN THE CARD CAGE.
 WHATEVER CARD PLUGS INTO A1, (IN THIS CASE ANALOG I/O)
 ITS P1 MATES WITH J1 IN POSITION A1.

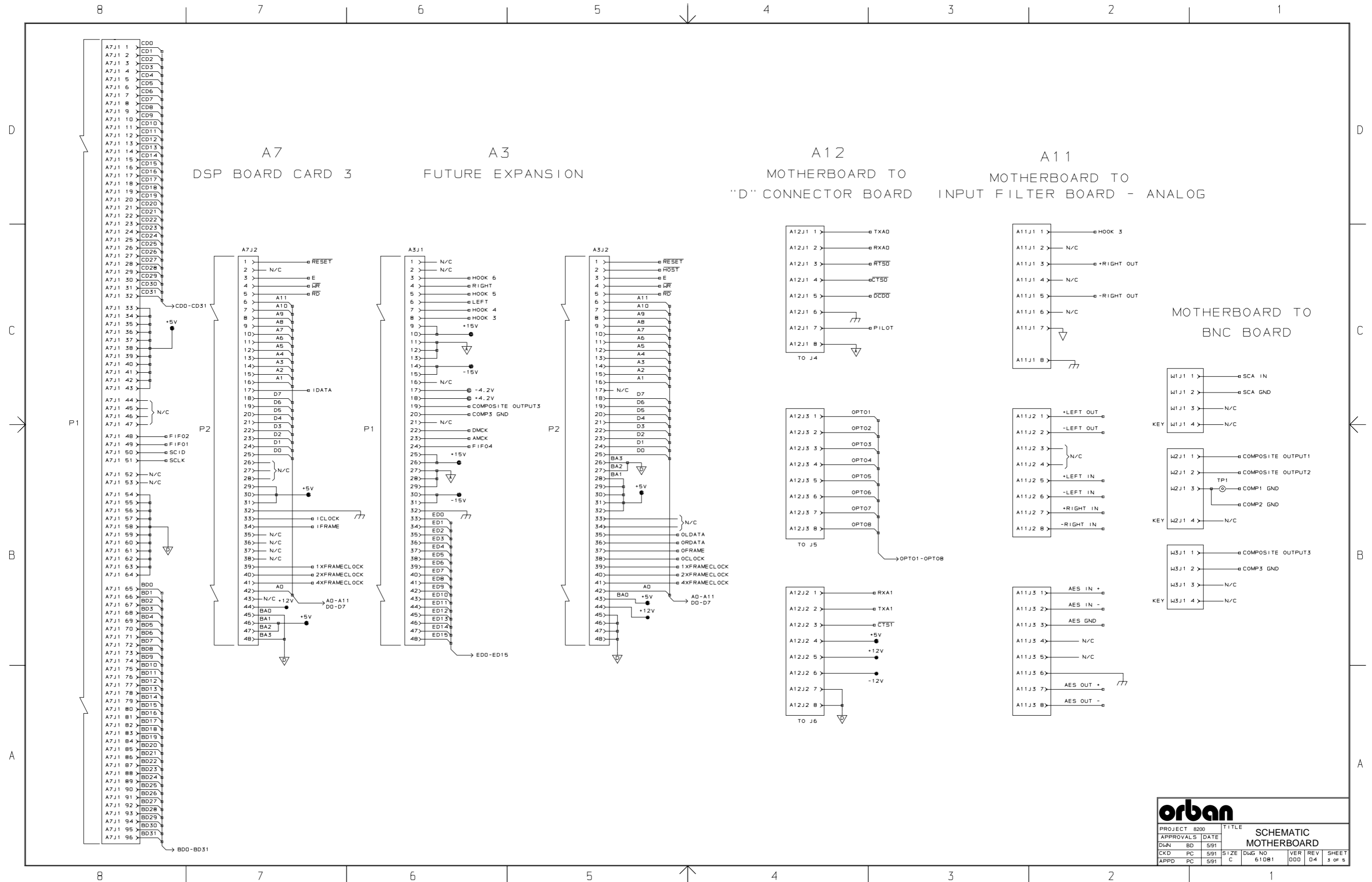
* 1. THE MOTHERBOARD A IS CONNECTED TO THE D ON THE
 ANALOG I/O BOARD ON THE SCHEMATIC. THE MOTHERBOARD D
 IS NOT THE SAME AS THE D ON THE ANALOG I/O BOARD

NOTES: (UNLESS OTHERWISE SPECIFIED)

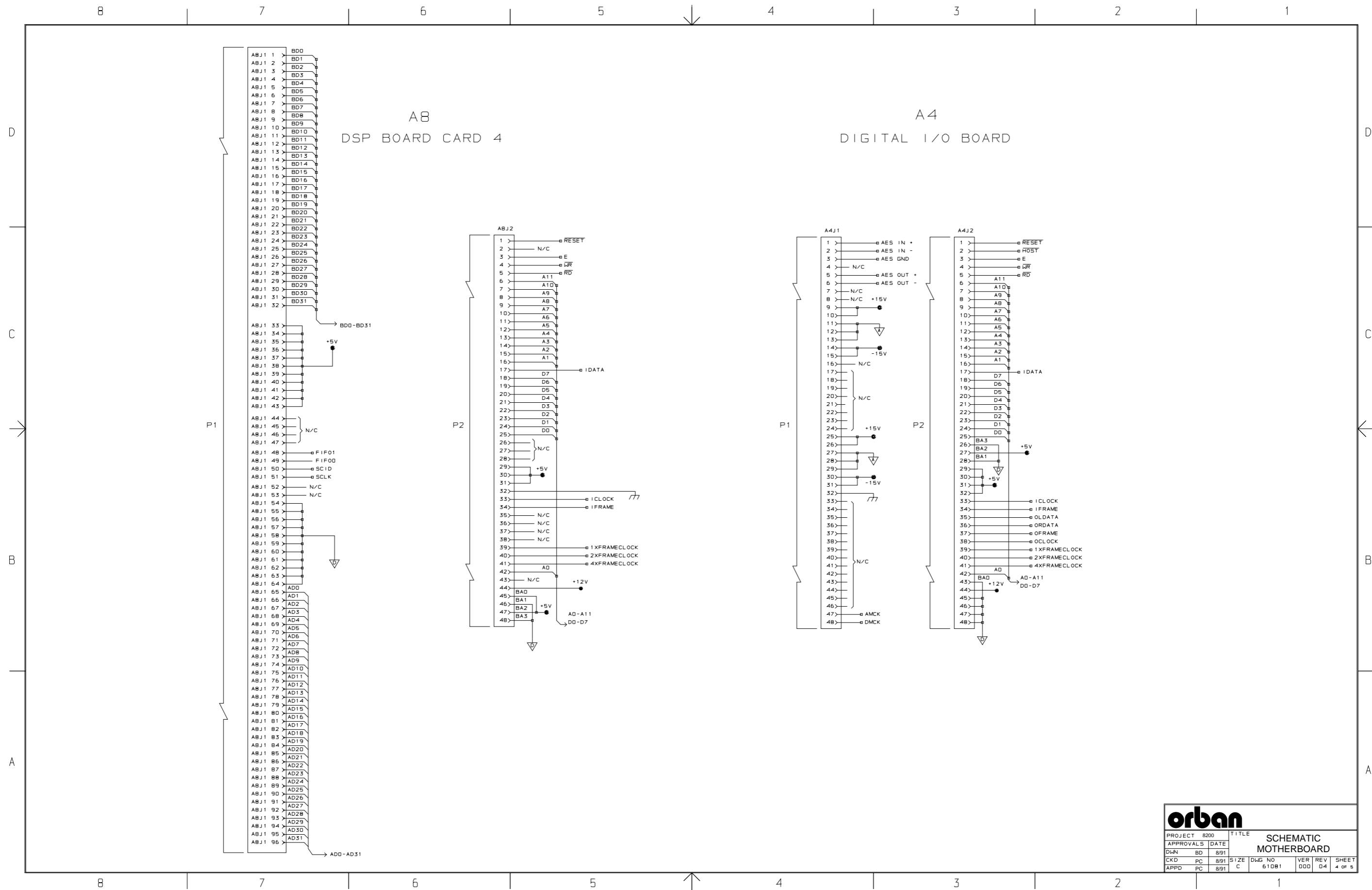
| | | | | | |
|--------------|------|--------------|-------|-----------------|--------|
| orban | | PROJECT 8200 | | TITLE SCHEMATIC | |
| APPROVALS | DATE | Dwg NO 610B1 | | VER 000 | REV 04 |
| DwN BD | 8/91 | SIZE C | 610B1 | 1 OF 5 | |
| CKD PC | 8/91 | | | | |
| APPD PC | 8/91 | | | | |



| | | | | | |
|--------------|---------|-----------------------|--------|-------|--------|
| orban | | PROJECT 8200 | | TITLE | |
| APPROVALS | DATE | SCHEMATIC MOTHERBOARD | | | |
| DWJN | BD 5/91 | SIZE | DWG NO | VER | REV |
| CKD | PC 5/91 | C | 61081 | 000 | 04 |
| APPD | PC 5/91 | | | | 2 OF 5 |



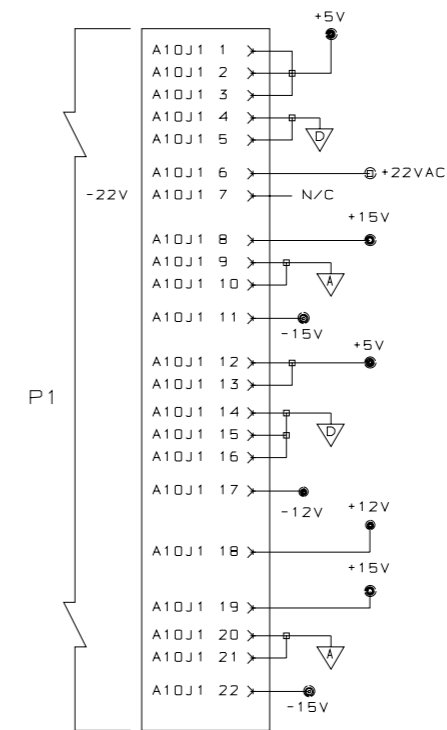
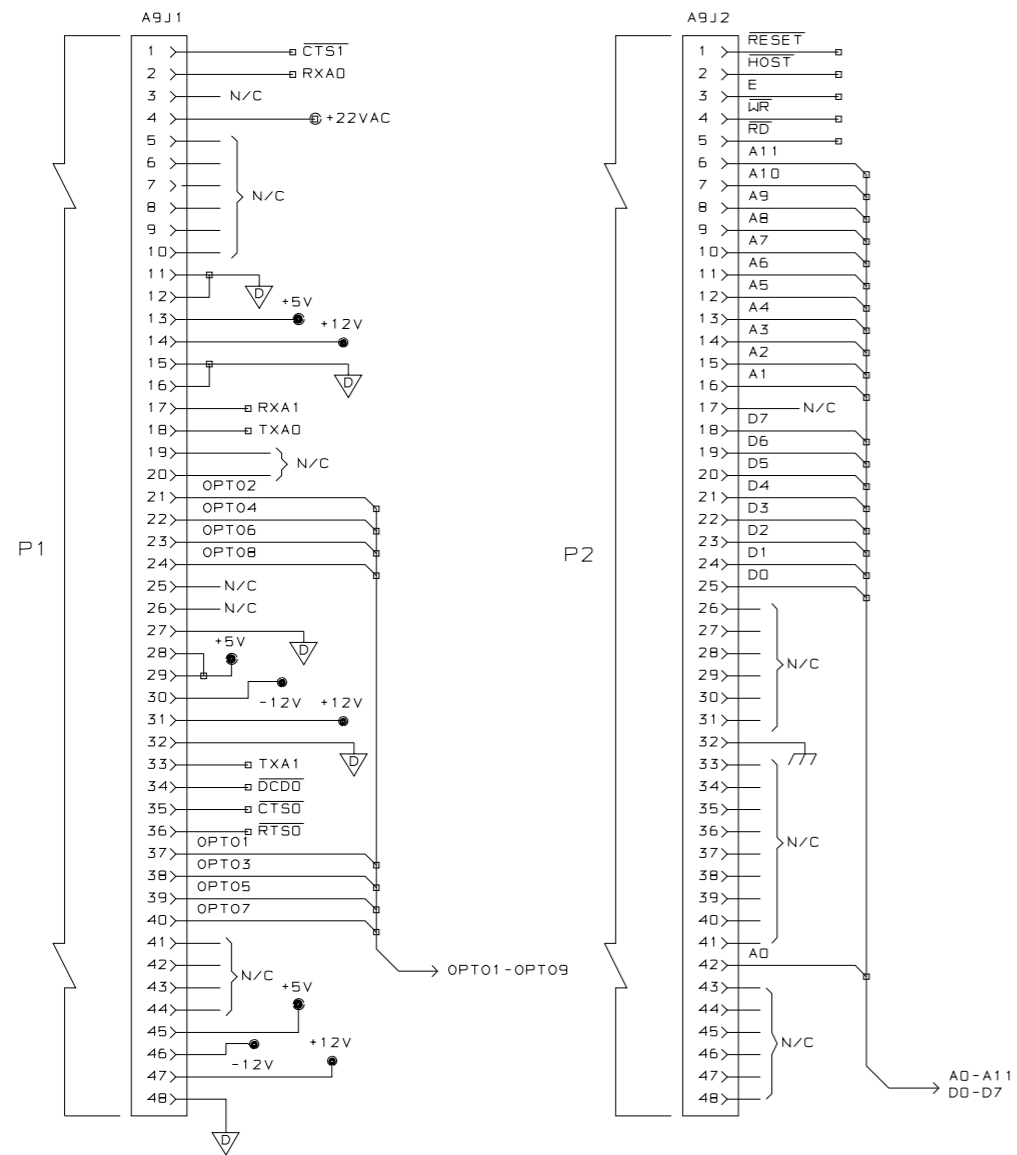
| | | | | | |
|--------------|---------|-----------------------|--------|-------|--------|
| orban | | PROJECT 8200 | | TITLE | |
| APPROVALS | DATE | SCHEMATIC MOTHERBOARD | | | |
| DWJN | BD 5/91 | SIZE | DWG NO | VER | REV |
| CKD | PC 5/91 | C | 61081 | 000 | 04 |
| APPD | PC 5/91 | | | | |
| | | | | SHEET | 3 OF 5 |



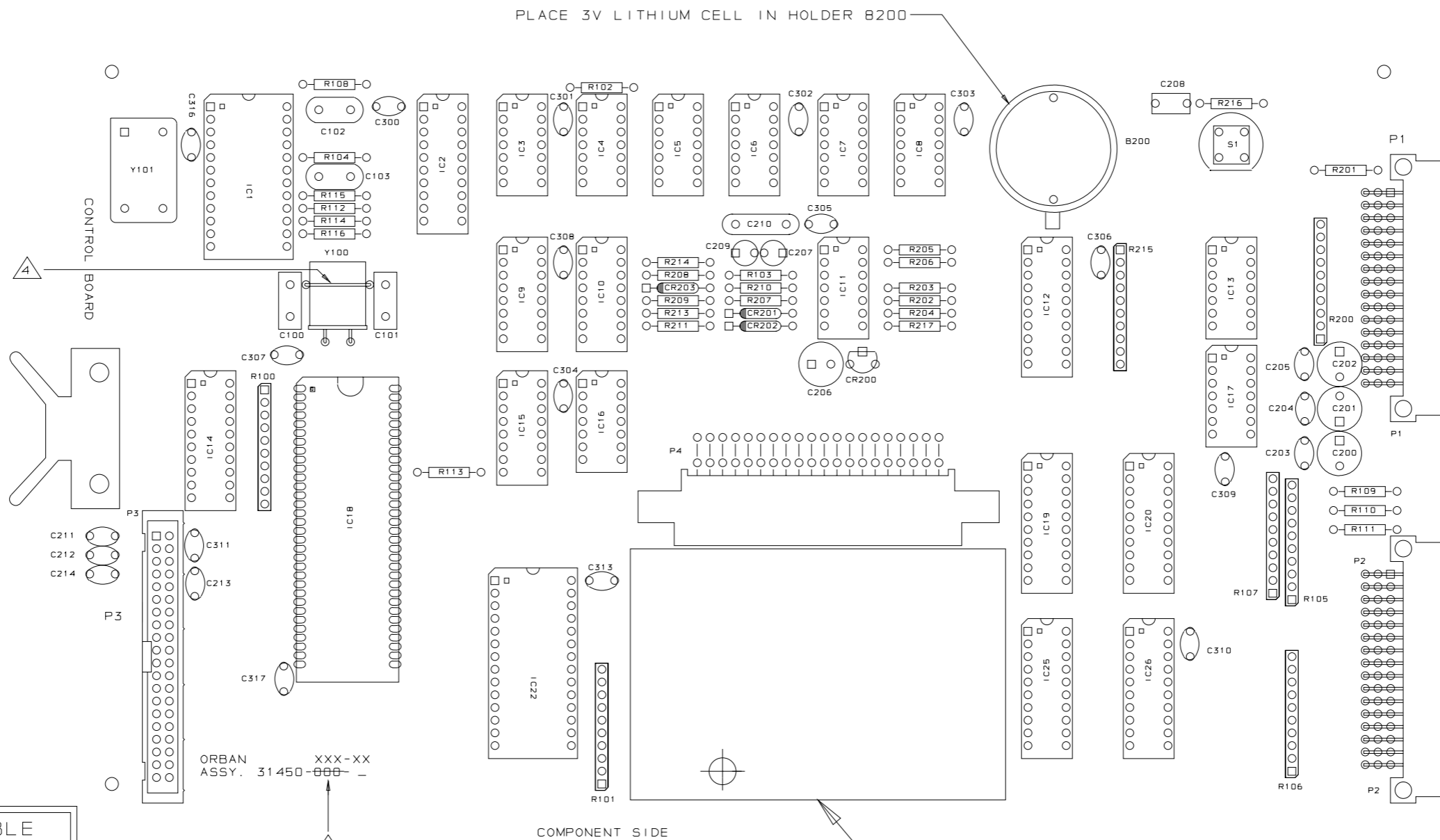
| | | | | | |
|--------------|------|-----------------------|------|--------|--------|
| orban | | PROJECT 8200 | | TITLE | |
| APPROVALS | DATE | SCHEMATIC MOTHERBOARD | | | |
| DWN | BD | 8/91 | SIZE | DWG NO | VER |
| CKD | PC | 8/91 | C | 61081 | 000 |
| APPD | PC | 8/91 | | | 04 |
| | | | | REV | SHEET |
| | | | | 04 | 4 OF 5 |

A9
CONTROL BOARD

A10
POWER SUPPLY



| | | | | | |
|--------------|------|--------------|------|--------|--------|
| orban | | PROJECT 8200 | | TITLE | |
| APPROVALS | DATE | SCHEMATIC | | | |
| | | MOTHERBOARD | | | |
| CKD | PC | 5/91 | SIZE | DWG NO | VER |
| APPD | PC | 5/91 | C | 610B1 | 000 |
| | | | | | REV |
| | | | | | 04 |
| | | | | | SHEET |
| | | | | | 5 OF 5 |

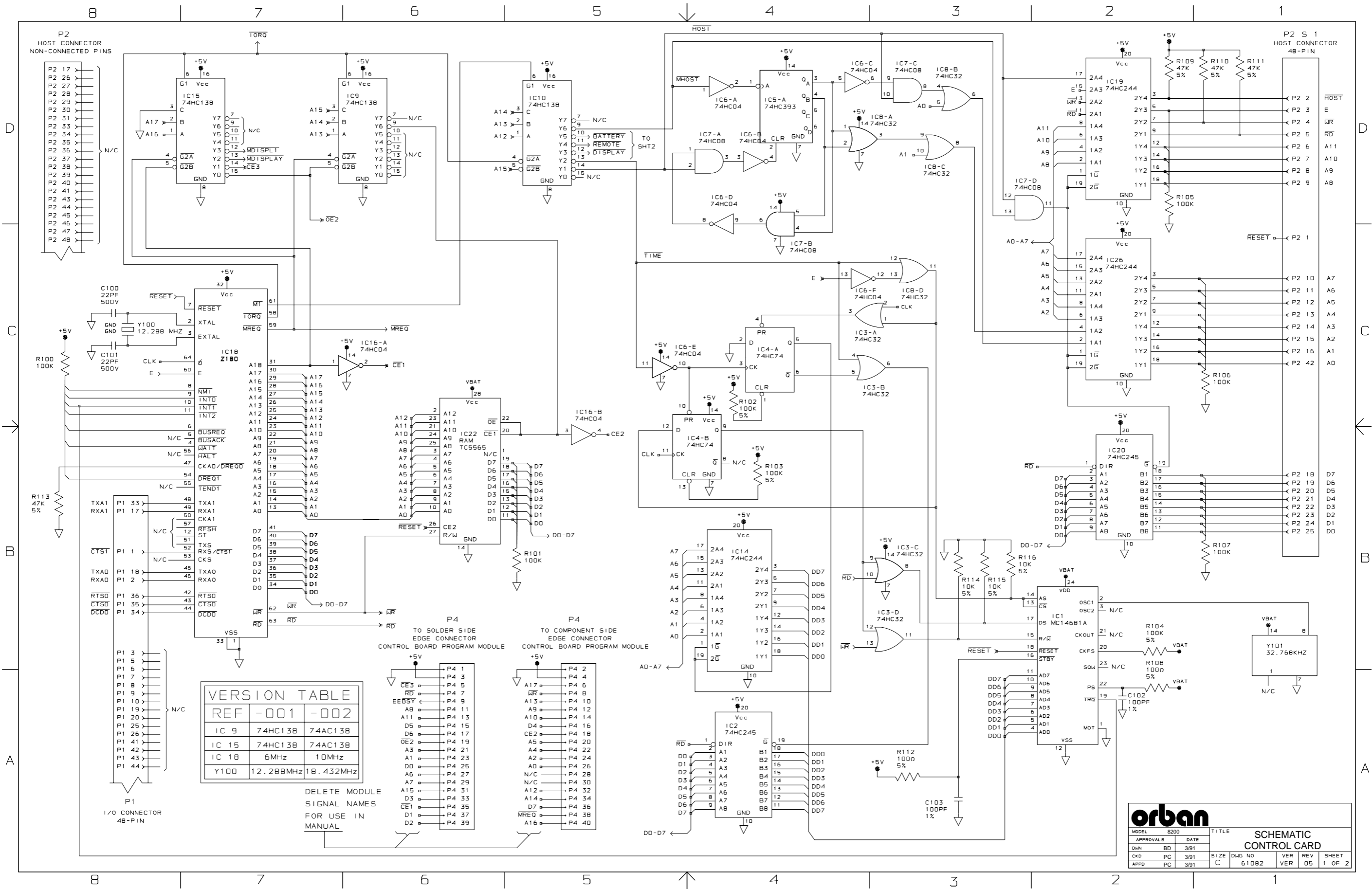


| REF | -001 | -002 |
|-------|-----------|-----------|
| IC 9 | 74HC138 | 74AC138 |
| IC 15 | 74HC138 | 74AC138 |
| IC 18 | 6MHz | 10MHz |
| Y100 | 12.288MHz | 18.432MHz |

- 4 GROUND STRAP REQ'D FOR VER-001 (6MHz) ONLY
- 3 LINE OUT OLD ASSY NO. VERSION MARK IN APPROPRIATE VERSION & REVISION LEVEL
2. REFERENCE SCHEMATIC DRAWING NO. 61082
1. SQUARE PADS INDICATE PIN 1 OF CONNECTORS, CATHODE OF DIODES, POS. SIDE OF CAPS., PIN 1 OF ICs

NOTES: (UNLESS OTHERWISE SPECIFIED)

| | | | | | | |
|--------------|------|-------|---------------------------------|--------|-----|--------|
| orban | | | TITLE PCB ASSEMBLY CONTROL CARD | | | |
| MODEL | 8200 | DATE | SIZE | DWG NO | VER | SHEET |
| APPROVALS | BD | 12/91 | C | 31450 | 000 | 08 |
| CKD | PC | 12/91 | | | | 1 OF 1 |
| APPD | PC | 12/91 | | | | |



| VERSION TABLE | | |
|---------------|-----------|-----------|
| REF | -001 | -002 |
| IC 9 | 74HC138 | 74AC138 |
| IC 15 | 74HC138 | 74AC138 |
| IC 18 | 6MHz | 10MHz |
| Y100 | 12.288MHz | 18.432MHz |

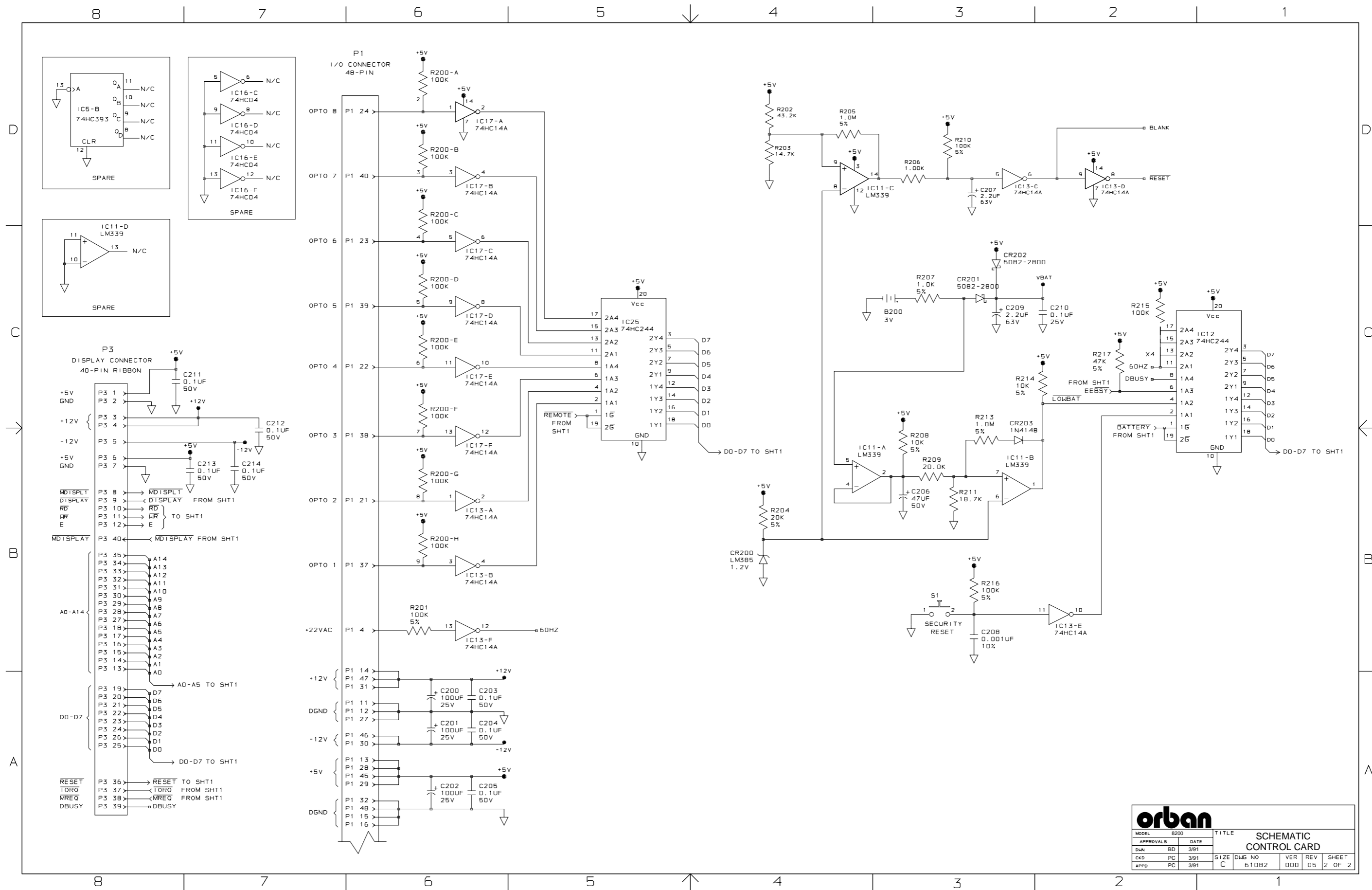
DELETE MODULE
SIGNAL NAMES
FOR USE IN
MANUAL

| P4 TO SOLDER SIDE EDGE CONNECTOR CONTROL BOARD PROGRAM MODULE | | P4 TO COMPONENT SIDE EDGE CONNECTOR CONTROL BOARD PROGRAM MODULE | |
|---|-------|--|-------|
| CE3 | P4 1 | A17 | P4 2 |
| RD | P4 3 | P4 3 | P4 4 |
| WR | P4 4 | A13 | P4 5 |
| EEBSY | P4 5 | A9 | P4 6 |
| AB | P4 6 | A10 | P4 7 |
| A11 | P4 7 | D4 | P4 8 |
| D5 | P4 8 | N/C | P4 9 |
| D6 | P4 9 | CE2 | P4 10 |
| OE2 | P4 10 | A5 | P4 11 |
| A3 | P4 11 | A4 | P4 12 |
| A1 | P4 12 | N/C | P4 13 |
| D0 | P4 13 | A2 | P4 14 |
| A6 | P4 14 | N/C | P4 15 |
| A7 | P4 15 | N/C | P4 16 |
| A15 | P4 16 | A7 | P4 17 |
| D3 | P4 17 | A14 | P4 18 |
| D4 | P4 18 | A14 | P4 19 |
| D5 | P4 19 | A14 | P4 20 |
| D6 | P4 20 | A14 | P4 21 |
| D7 | P4 21 | A14 | P4 22 |
| MREQ | P4 22 | A14 | P4 23 |
| A16 | P4 23 | A14 | P4 24 |
| D1 | P4 24 | A14 | P4 25 |
| D2 | P4 25 | A14 | P4 26 |
| | P4 26 | A14 | P4 27 |
| | P4 27 | A14 | P4 28 |
| | P4 28 | A14 | P4 29 |
| | P4 29 | A14 | P4 30 |
| | P4 30 | A14 | P4 31 |
| | P4 31 | A14 | P4 32 |
| | P4 32 | A14 | P4 33 |
| | P4 33 | A14 | P4 34 |
| | P4 34 | A14 | P4 35 |
| | P4 35 | A14 | P4 36 |
| | P4 36 | A14 | P4 37 |
| | P4 37 | A14 | P4 38 |
| | P4 38 | A14 | P4 39 |
| | P4 39 | A14 | P4 40 |

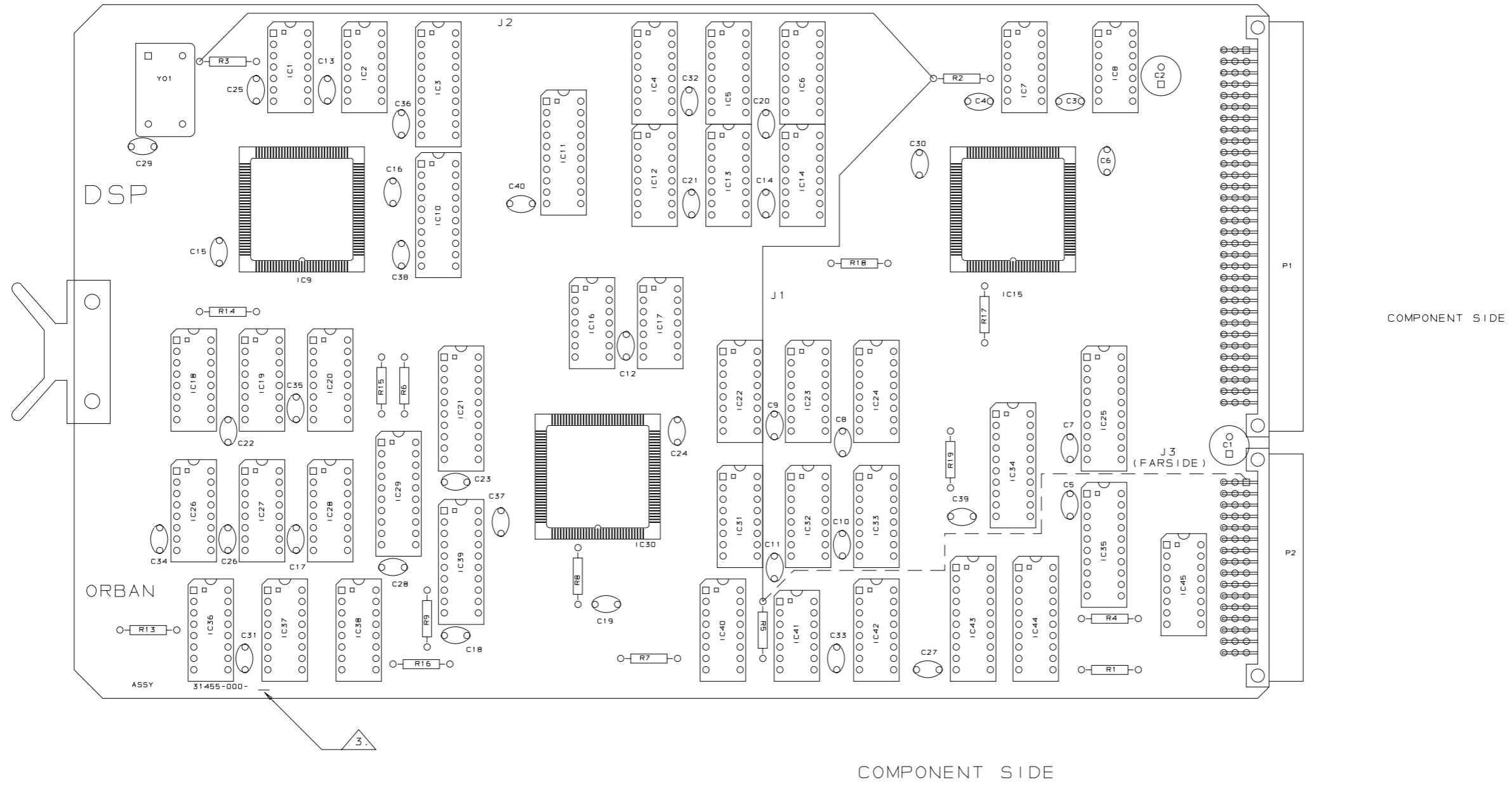
orban

| | |
|--------------|---------------|
| MODEL 8200 | TITLE |
| APPROVALS | DATE |
| D&N BD 3/91 | |
| CKD PC 3/91 | SIZE DWG NO |
| APPD PC 3/91 | VER REV SHEET |
| | 1 0F 2 |

SCHEMATIC CONTROL CARD

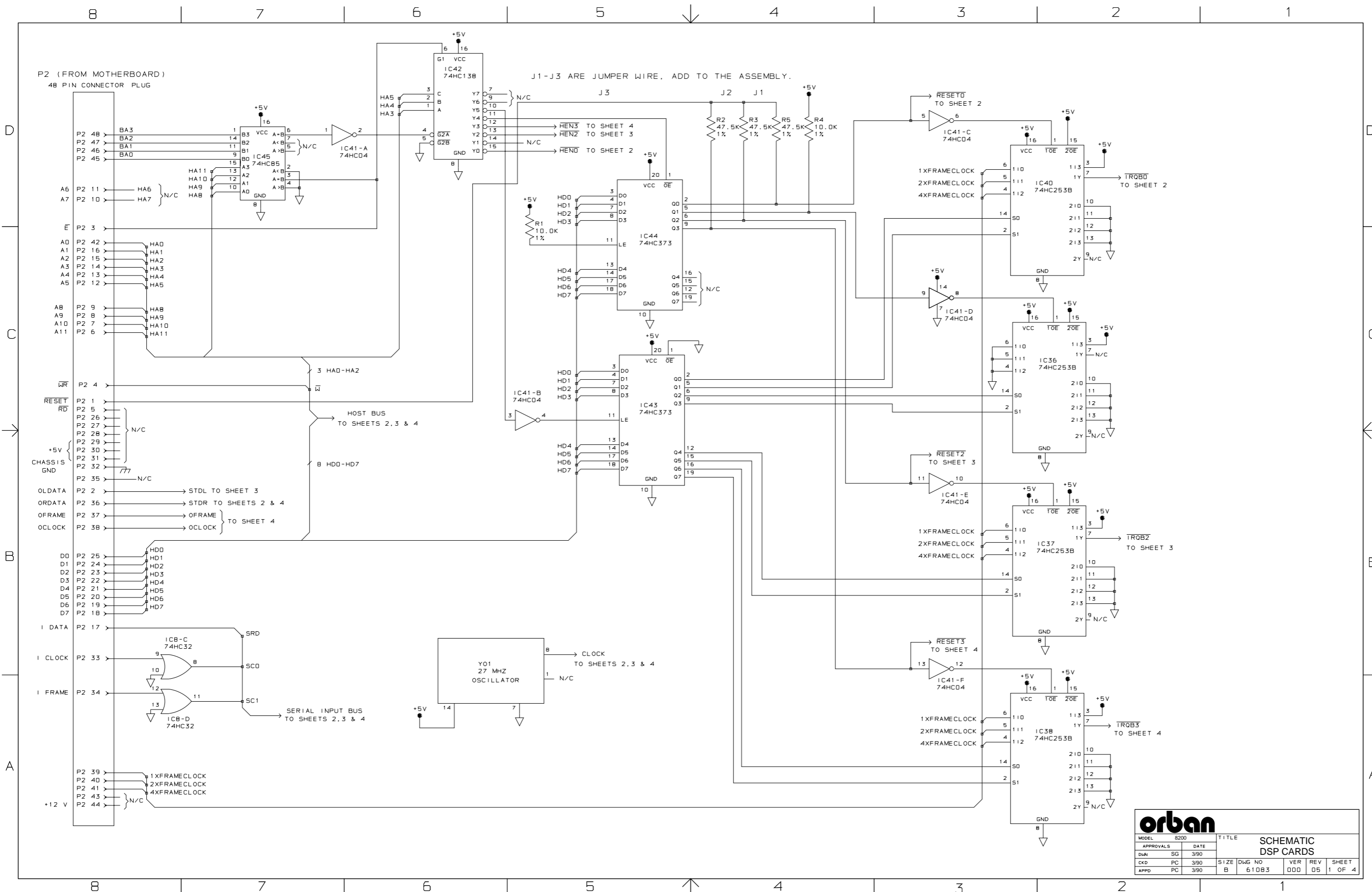


| | | | |
|--------------|---------|------------------------|--------|
| orban | | TITLE | |
| MODEL | 8200 | SCHEMATIC CONTROL CARD | |
| APPROVALS | DATE | SIZE | DWG NO |
| D&N | BD 3/91 | VER | REV |
| CKD | PC 3/91 | 000 | 05 |
| APPD | PC 3/91 | SHEET | 2 OF 2 |

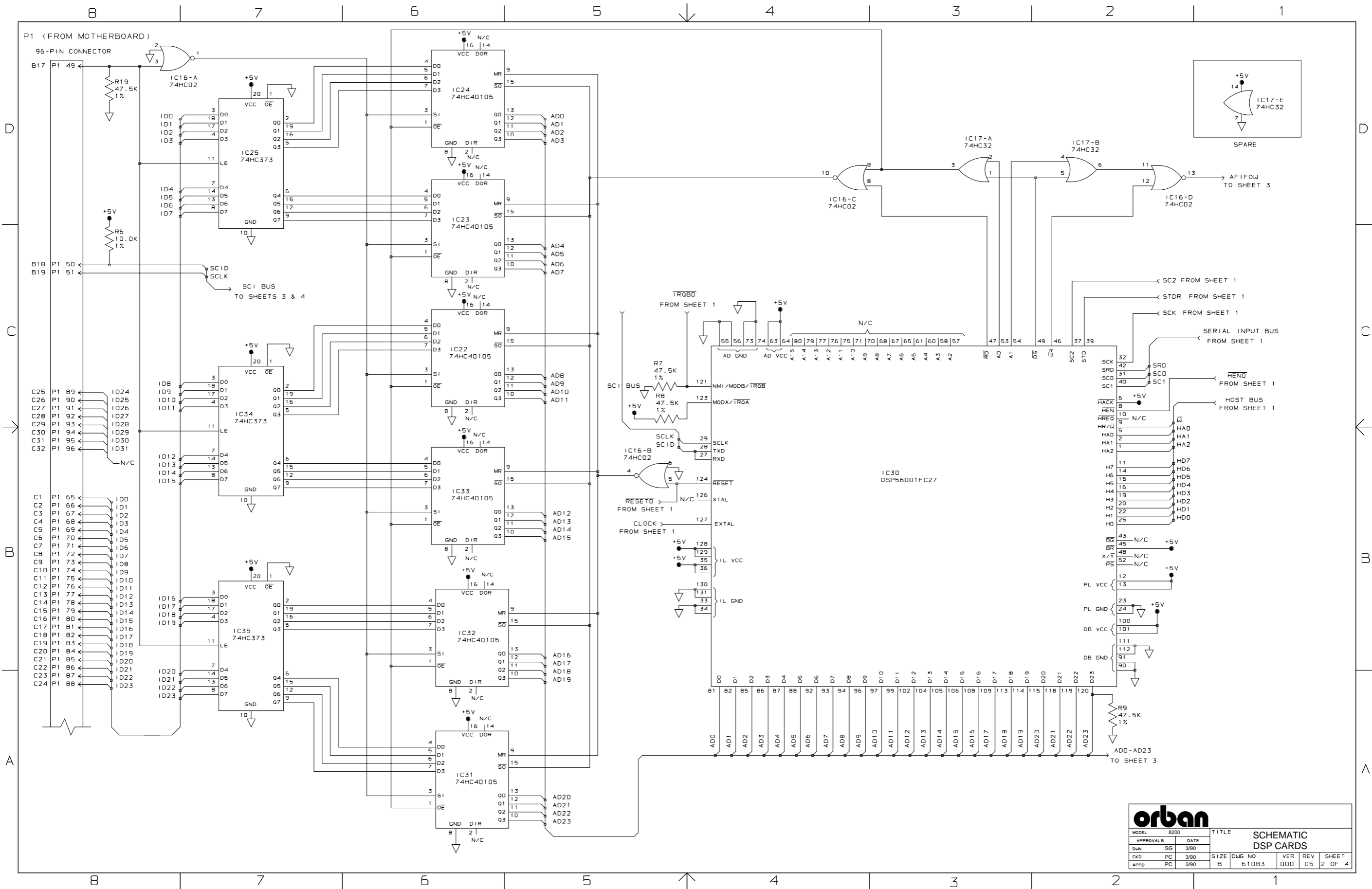


- 3 MARK ASSEMBLY REVISION LEVEL IN SPACE PROVIDED
2. REFERENCE SCHEMATIC DRAWING NO. 61083-000-05
1. SQUARE PADS INDICATE PIN 1 OF CONNECTORS, CATHODE OF DIODES POS. SIDE OF CAPS., PIN 1 OF IC'S
- NOTES: (UNLESS OTHERWISE SPECIFIED)

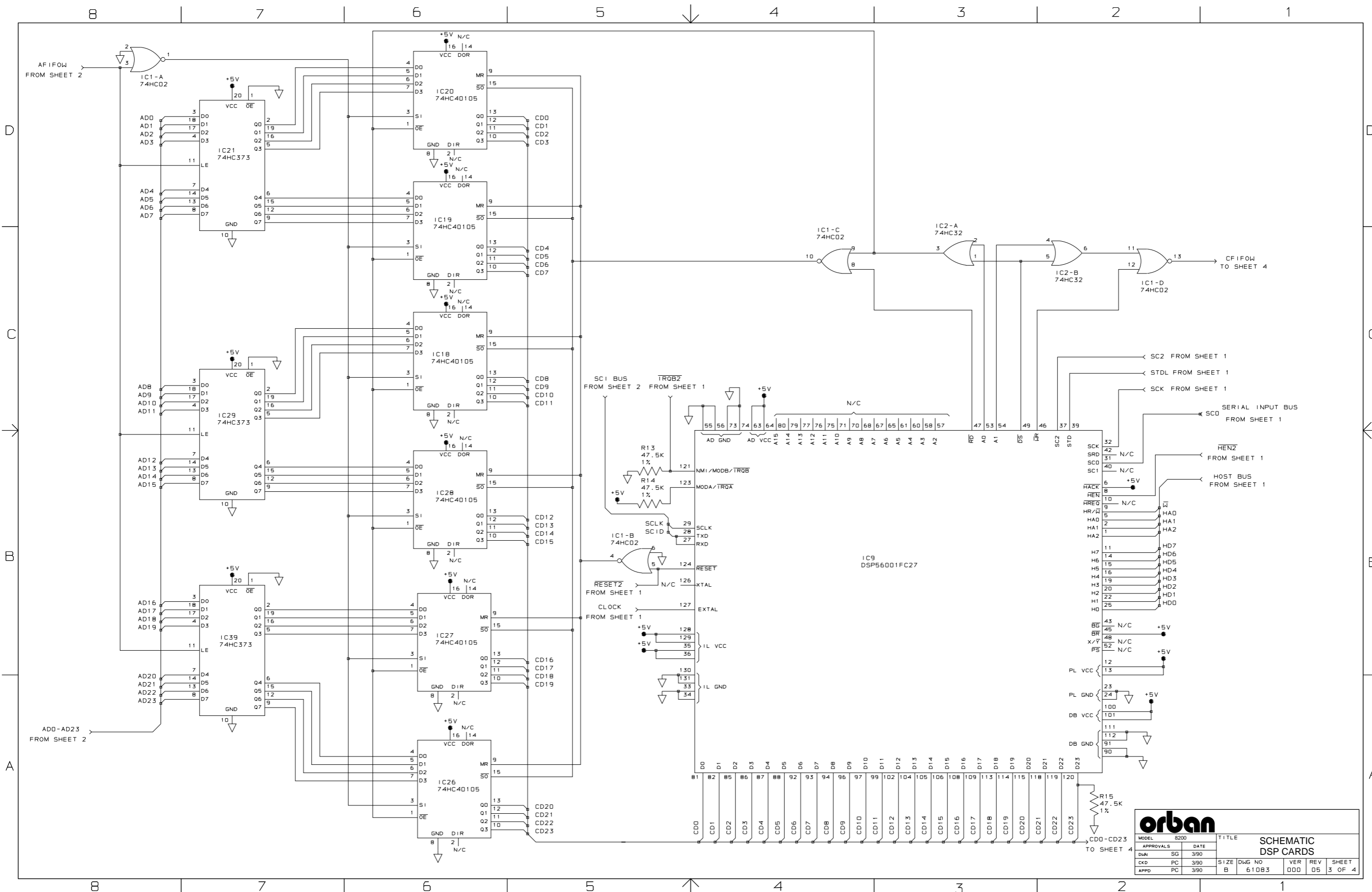
| | | | | | | |
|--------------|------|------------------------------|-------|------|--------|--------|
| orban | | TITLE PCB ASSEMBLY DSP CARDS | | | | |
| MODEL | 8200 | APPROVALS | DATE | SIZE | DWG NO | VER |
| | | BD | 10/93 | C | 31455 | 000 |
| CKD | MJ | 6/93 | REV | 06 | SHEET | 1 OF 1 |
| APPD | MJ | 6/93 | | | | |



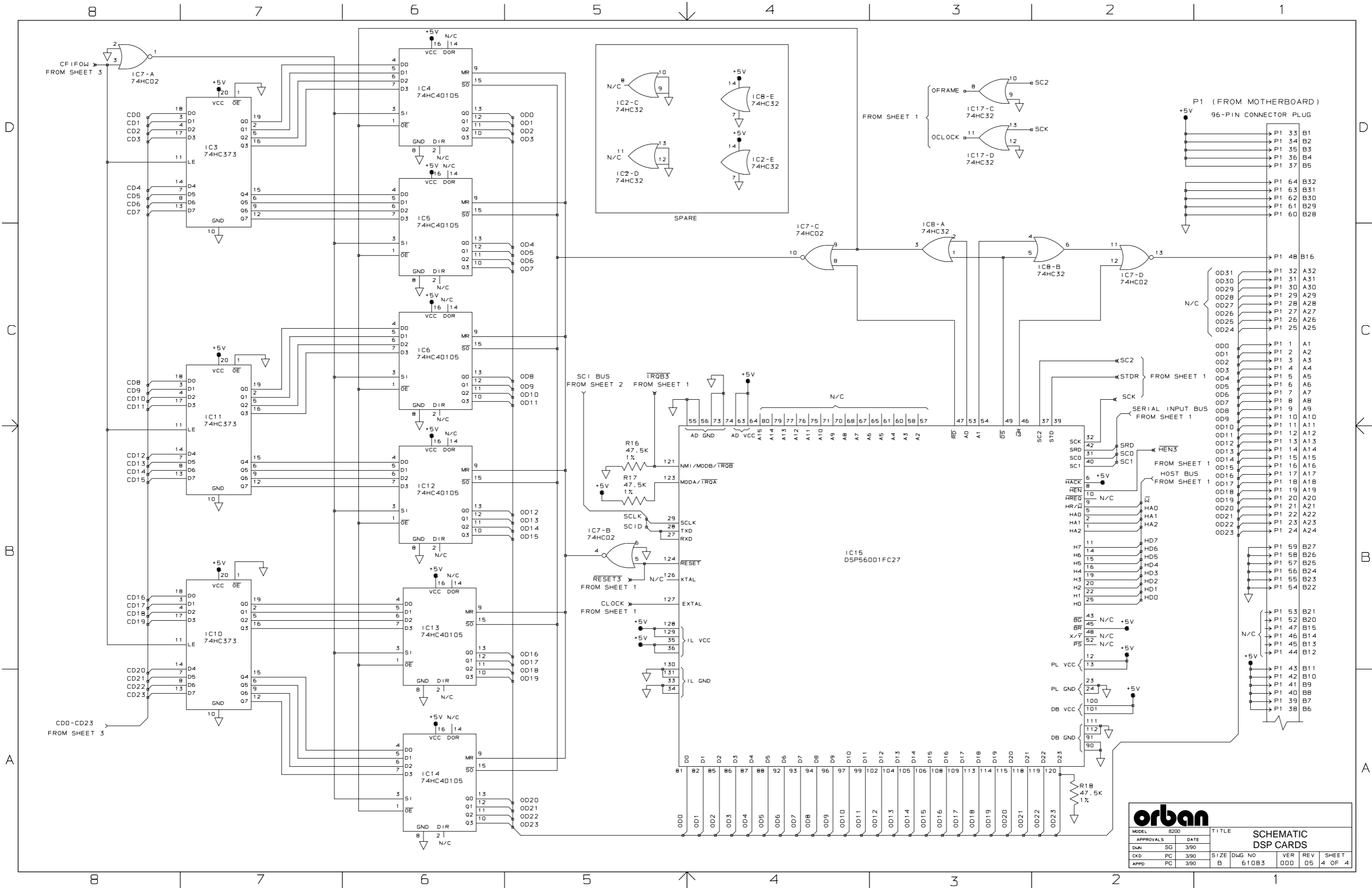
| | | | |
|--------------|------|---------------------|--------|
| orban | | TITLE | |
| MODEL 8200 | DATE | SCHEMATIC DSP CARDS | |
| APPROVALS | DATE | SIZE | DWG NO |
| D&N SG 3/90 | | B | 61083 |
| CKD PC 3/90 | | VER | REV |
| APPD PC 3/90 | | 000 | 05 |
| | | SHEET | 1 OF 4 |



| | | | | | |
|--------------|---------|---------------------|--------|--------|-----|
| orban | | MODEL 8200 | | TITLE | |
| APPROVALS | DATE | SCHEMATIC DSP CARDS | | | |
| D&N | SG 3/90 | SIZE | DWG NO | VER | REV |
| CKD | PC 3/90 | B | 61083 | 000 | 05 |
| APPD | PC 3/90 | SHEET | | 2 OF 4 | |

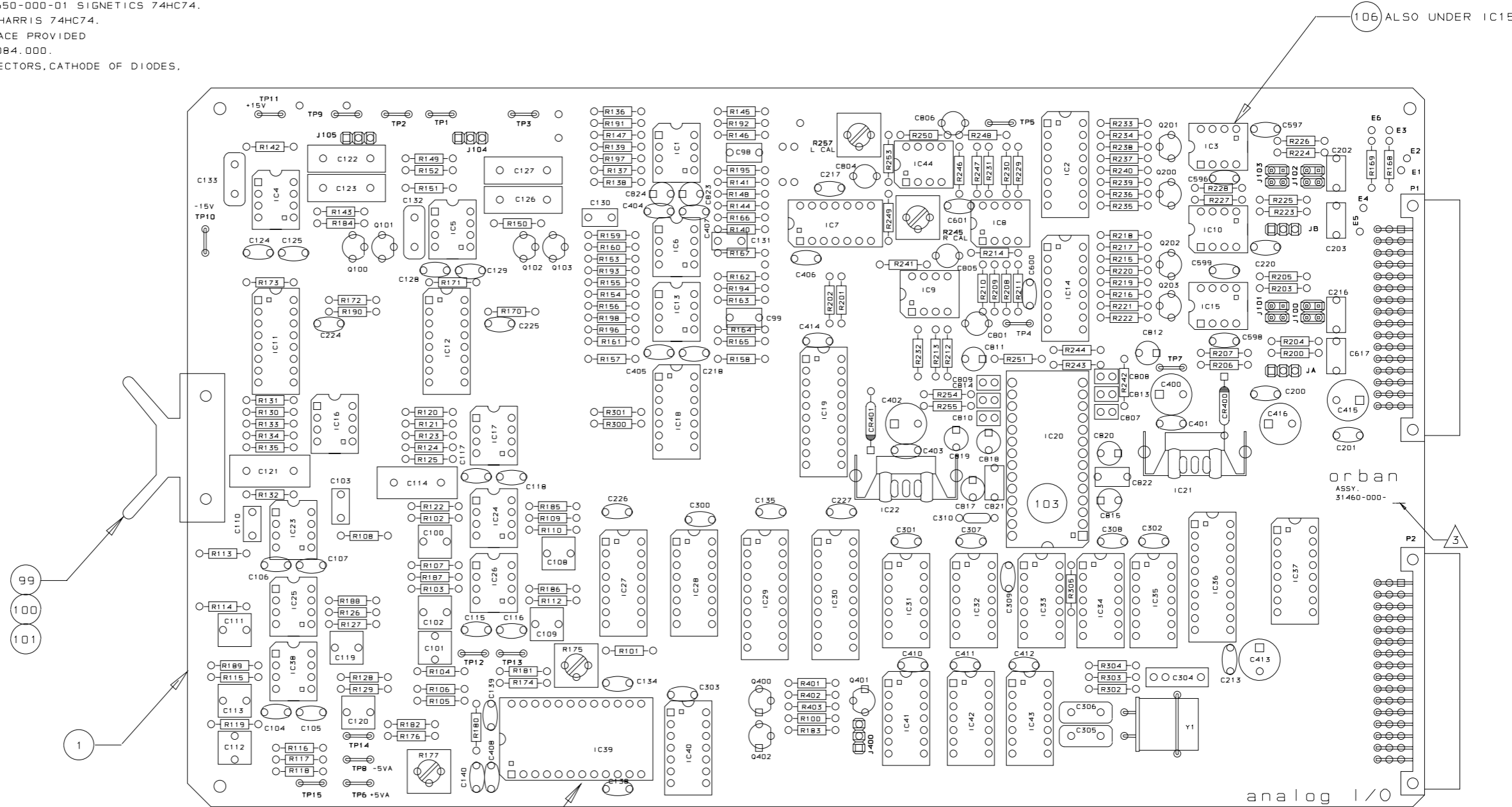


| | | | | | |
|--------------|-----|------------|--|-----------|--------|
| orban | | MODEL 8200 | | TITLE | |
| APPROVALS | | DATE | | SCHEMATIC | |
| D&N | | SG 3/90 | | DSP CARDS | |
| CKD | | PC 3/90 | | SIZE | DWG NO |
| APPD | | PC 3/90 | | B | 61083 |
| VER | REV | SHEET | | | |
| 000 | 05 | 3 OF 4 | | | |



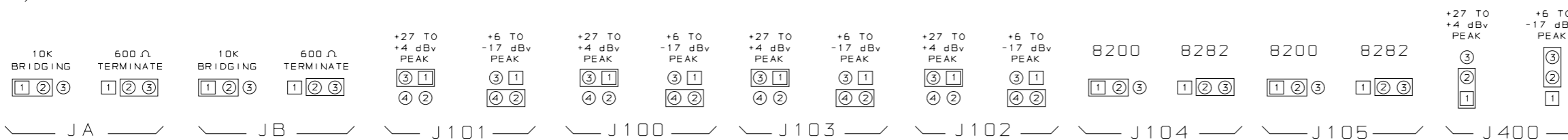
| | | | | | |
|--------------|---------|---------------------|--------|--------|-----|
| orban | | MODEL 8200 | | TITLE | |
| APPROVALS | DATE | SCHEMATIC DSP CARDS | | | |
| D&N | SG 3/90 | SIZE | DWG NO | VER | REV |
| CKD | PC 3/90 | B | 61083 | 000 | 05 |
| APPD | PC 3/90 | SHEET | | 4 OF 4 | |

4. IC 31, IC32, IC34, & IC35 ARE P/N 24650-000-01 SIGNETICS 74HC74.
DO NOT LOAD WITH P/N 24567-302-01 HARRIS 74HC74.
- 3 MARK ASSEMBLY REVISION LEVEL IN SPACE PROVIDED
2. REFERENCE SCHEMATIC DRAWING NO. 610B4.000.
1. SQUARE PADS INDICATE PIN 1 OF CONNECTORS, CATHODE OF DIODES,
POS. SIDE OF CAPS., PIN 1 OF ICs
- NOTES: (UNLESS OTHERWISE SPECIFIED)

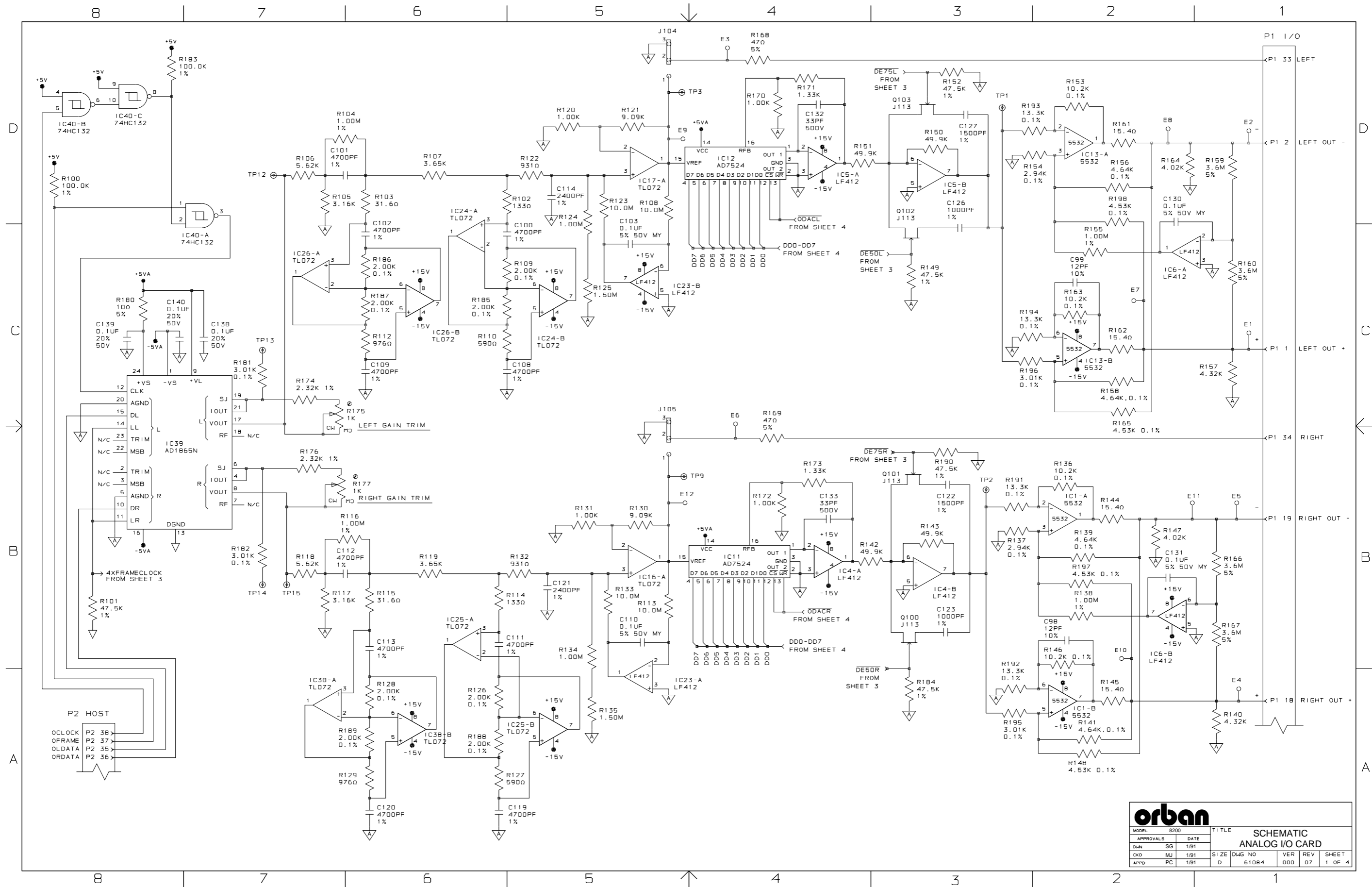


COMPONENT SIDE

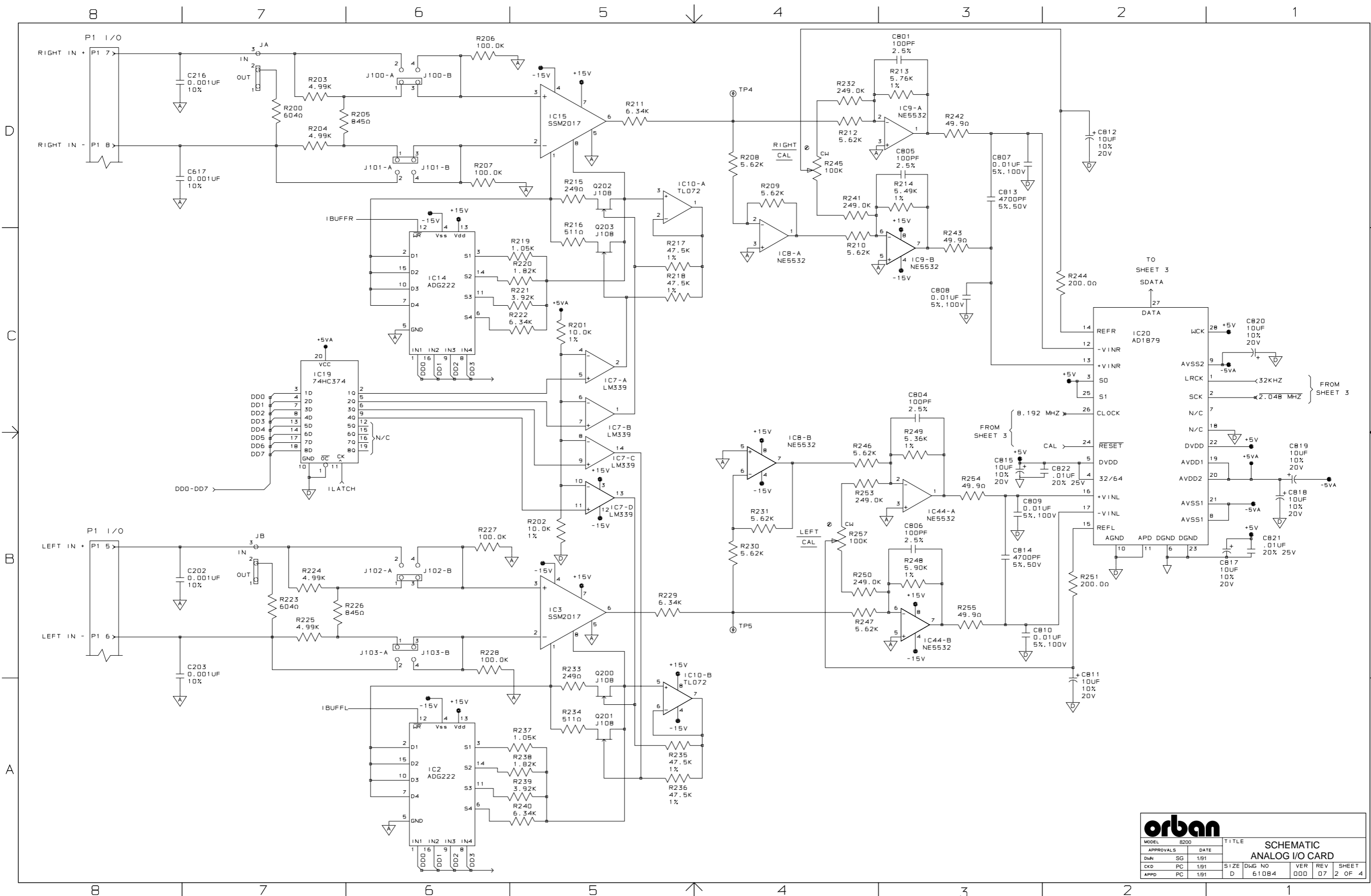
JUMPER SETTINGS



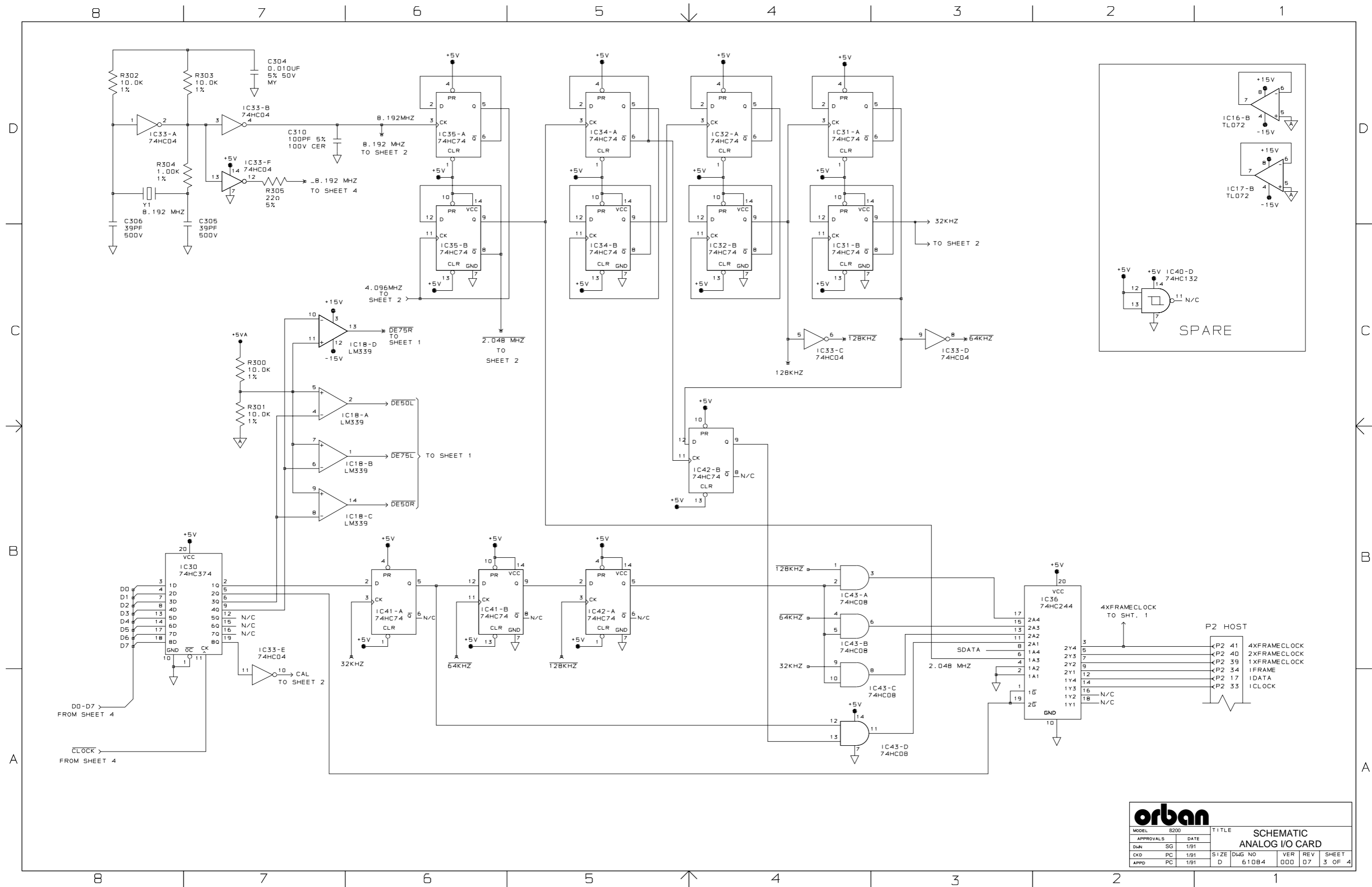
| | | | | |
|--------------|------|------------------------------------|--------------|---------|
| orban | | TITLE PCB ASSEMBLY ANALOG I/O CARD | | |
| MODEL 8200 | DATE | SIZE C | DWG NO 31460 | VER 000 |
| APPROVALS SG | 5/91 | REV 10 | SHEET 1 OF 1 | |
| CKD MJ | 5/91 | | | |
| APPD MJ | 5/91 | | | |



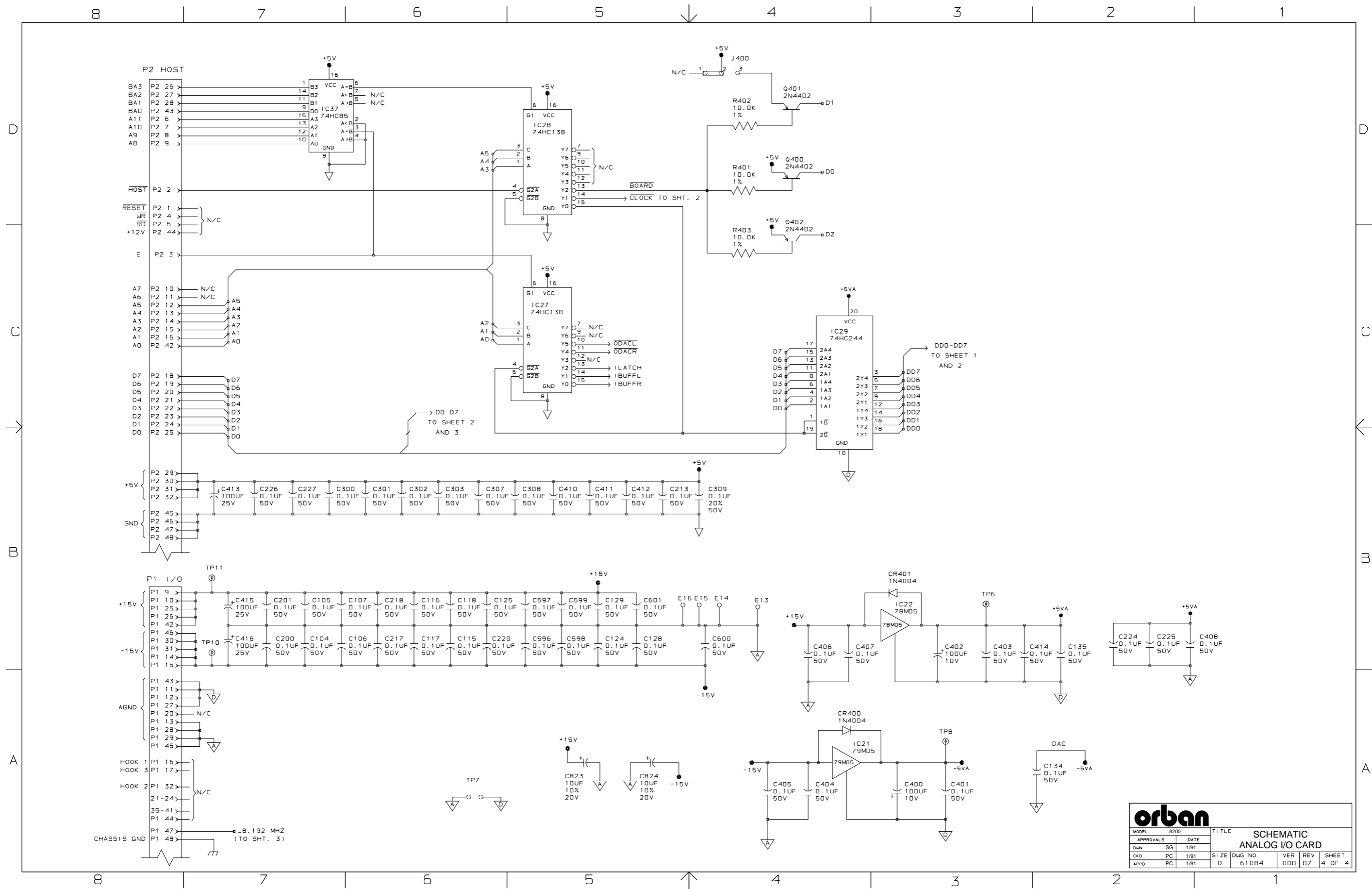
| | | | | | |
|--------------|---------|---------------------------|--------|--------------|-----|
| orban | | MODEL 8200 | | TITLE | |
| APPROVALS | DATE | SCHEMATIC ANALOG I/O CARD | | | |
| DwN | SG 1/91 | SIZE | Dwg NO | VER | REV |
| CKD | MJ 1/91 | D | 610B4 | 000 | 07 |
| APPD | PC 1/91 | | | 000 | 07 |
| | | | | SHEET 1 OF 4 | |



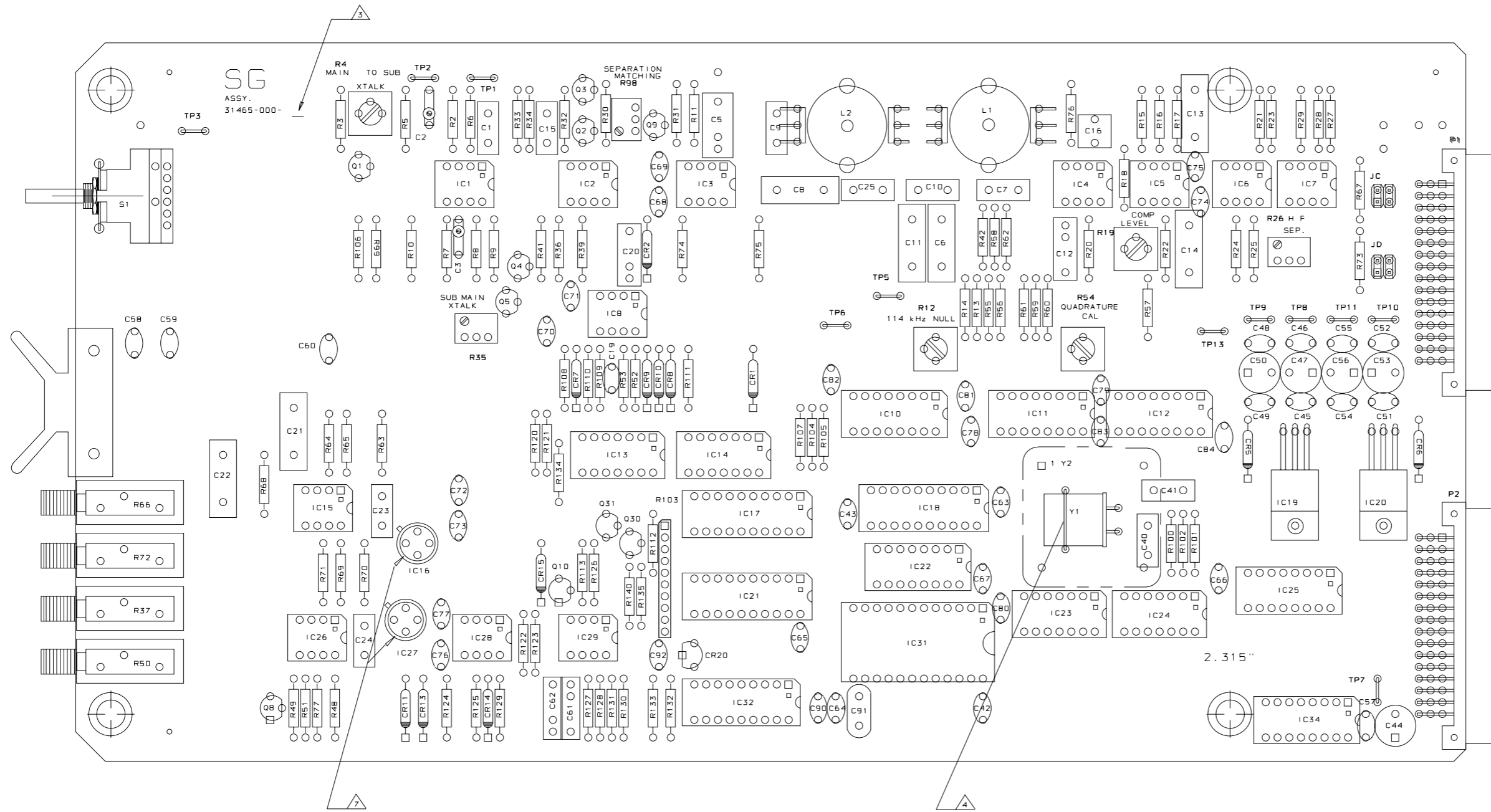
| | | | |
|--------------|------|---------------------------|--------|
| orban | | TITLE | |
| MODEL 8200 | DATE | SCHEMATIC ANALOG I/O CARD | |
| APPROVALS | DATE | SIZE | DWG NO |
| D&N SG 1/91 | | VER REV | SHEET |
| CKD PC 1/91 | | 000 07 | 2 OF 4 |
| APPD PC 1/91 | | | |



| | | | | | |
|--------------|------|---------------------------|--------|-------|--------------|
| orban | | MODEL 8200 | | TITLE | |
| APPROVALS | DATE | SCHEMATIC ANALOG I/O CARD | | | |
| D&N SG | 1/91 | SIZE | DWG NO | VER | REV |
| CKD PC | 1/91 | D | 61084 | 000 | 07 |
| APPD PC | 1/91 | | | | |
| | | | | | SHEET 3 OF 4 |



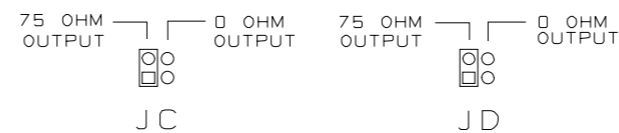
| | | | |
|--------------|------|-----------------|--------------|
| orban | | TITLE | |
| MODEL 8200 | DATE | SCHEMATIC | |
| APPROVALS | 1/91 | ANALOG I/O CARD | |
| DwN SG | 1/91 | SIZE D | DWG NO 61084 |
| CKD PC | 1/91 | VER 000 | REV 07 |
| APPD PC | 1/91 | SHEET 4 | OF 4 |



COMPONENT SIDE

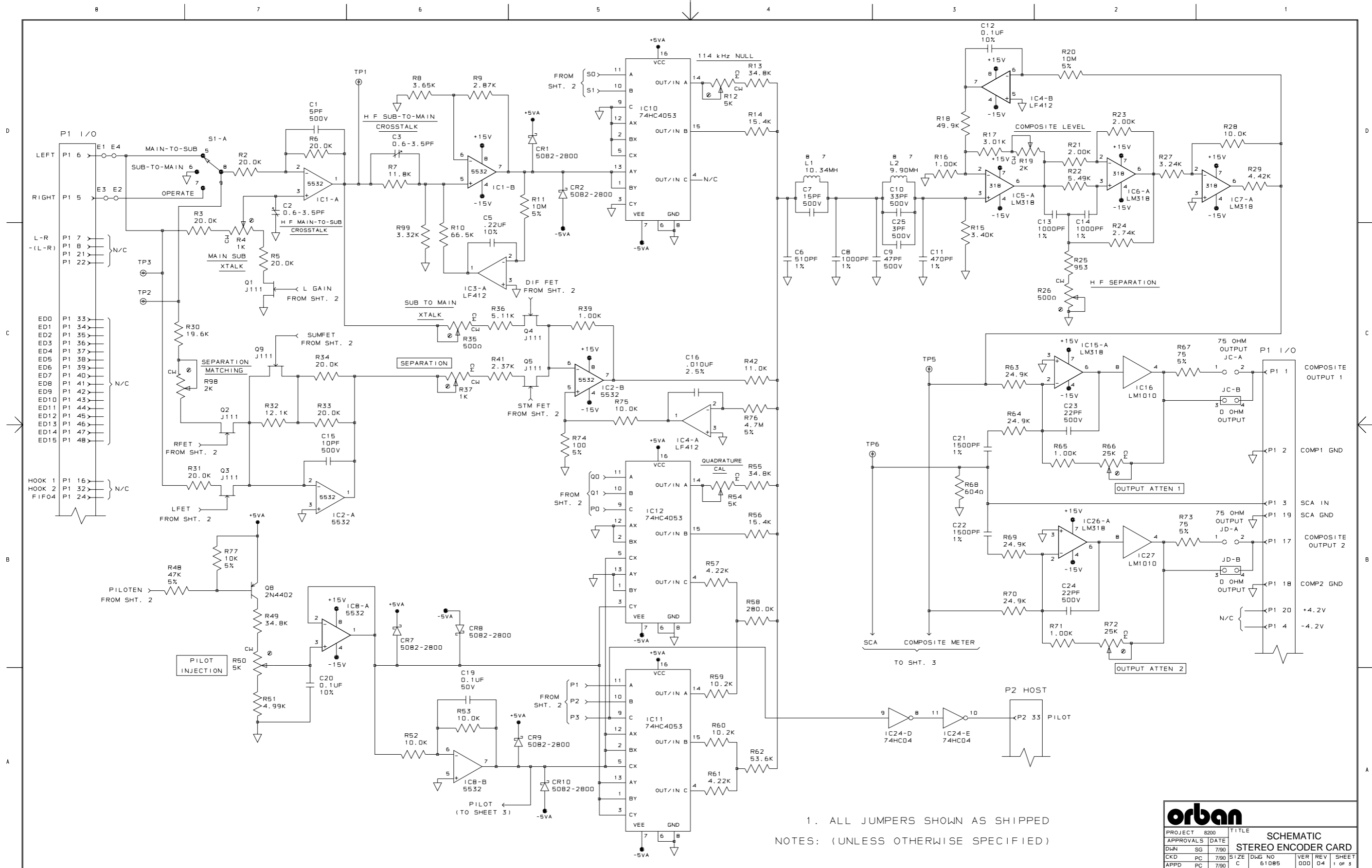
- 7. INSTALL AKG P/N 15051-000-01 BEFORE SOLDER FLOWING
- 6. ON FAB SIDE OF BOARD ADD (1) COAX CABLE FROM E1 TO E4 WITH E5 AS GND AND ADD (1) COAX CABLE FROM E3 TO E2 WITH E6 AS GND
- 5. Y2 SHOWN FOR FUTURE USE ONLY
- 4. SOLDER RETAINING WIRE TO CRYSTAL.
- 3. MARK ASSEMBLY REVISION LEVEL IN SPACE PROVIDED
- 2. REFERENCE SCHEMATIC DRAWING NO. 610B5.
- 1. SQUARE PADS INDICATE PIN 1 OF CONNECTORS, CATHODE OF DIODES.
POS. SIDE OF CAPS., PIN 1 OF IC'S

NOTES: (UNLESS OTHERWISE SPECIFIED)



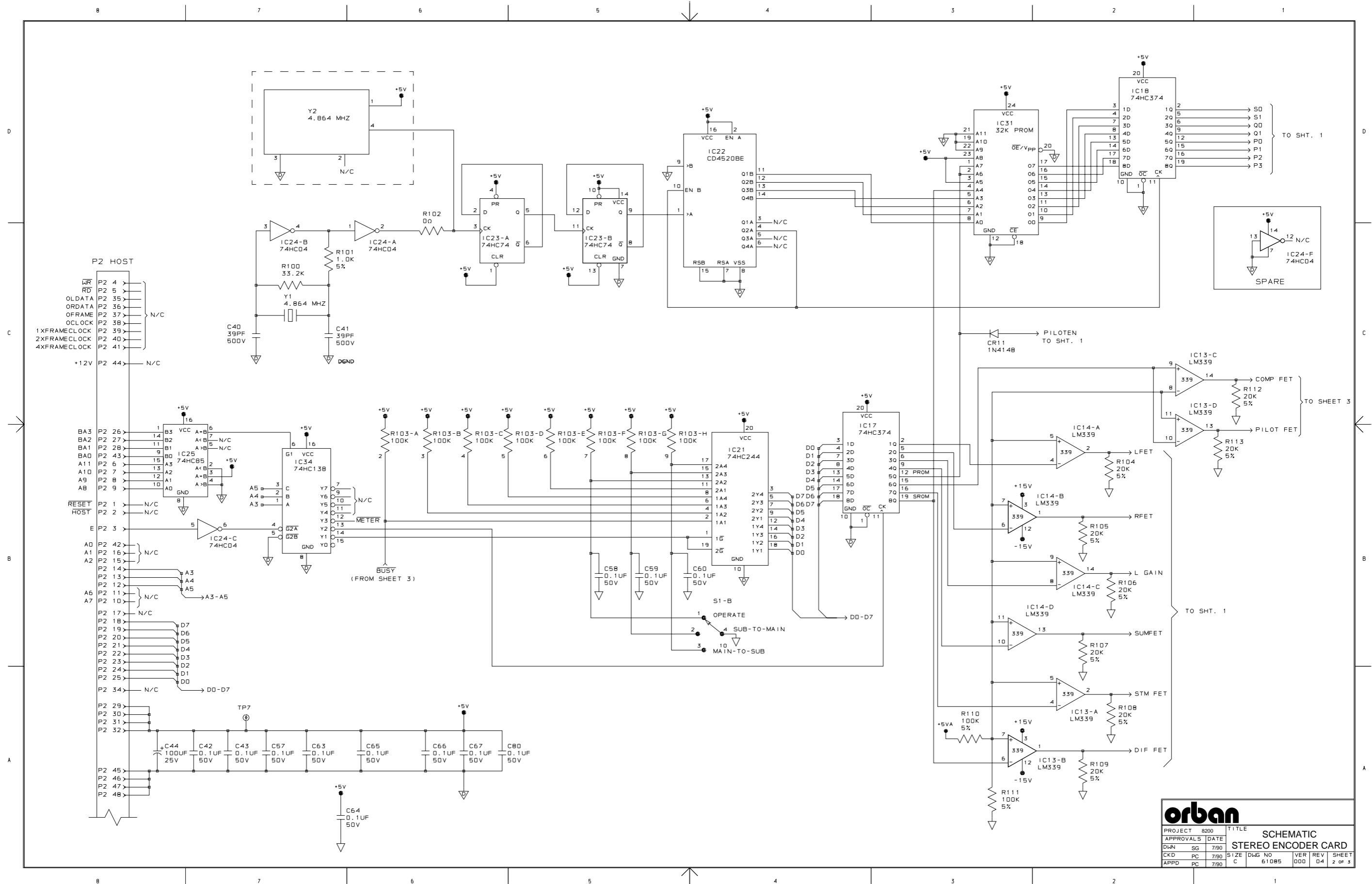
JUMPERS
(SHOWN AS SHIPPED)

| | | | | | |
|--------------|------|-------------------------------------|------|-------|--------|
| orban | | TITLE PCB ASSEMBLY STEREO GENERATOR | | | |
| MODEL | 8200 | APPROVALS | DATE | SIZE | DWG NO |
| DWG | SG | 8/91 | | C | 31465 |
| CKD | MJ | 8/91 | | VER | 000 |
| APPD | MJ | 8/91 | | REV | 06 |
| | | | | SHEET | 1 OF 1 |

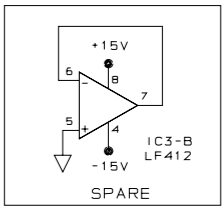
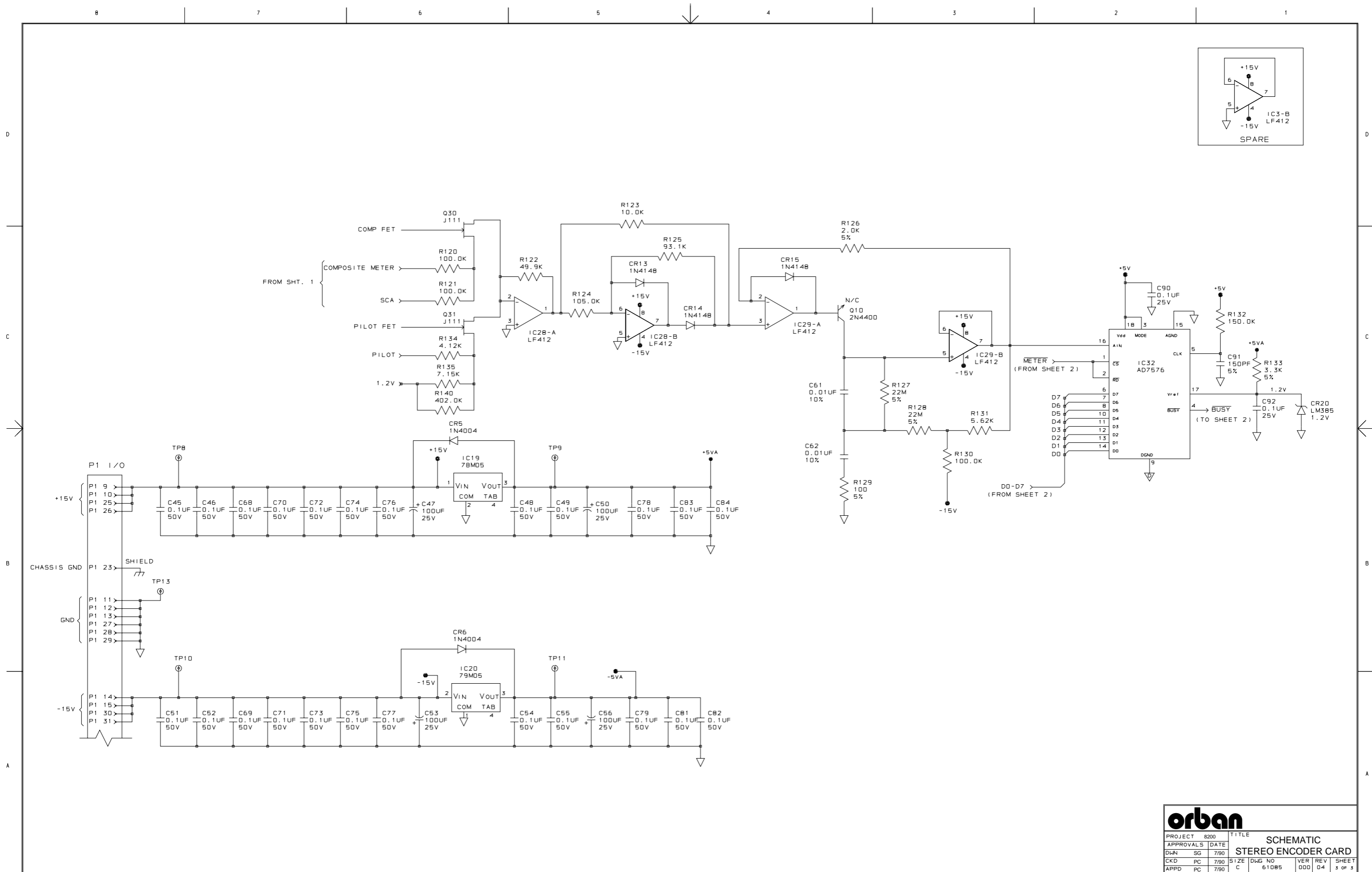


1. ALL JUMPERS SHOWN AS SHIPPED
 NOTES: (UNLESS OTHERWISE SPECIFIED)

| | | | | | | | |
|--------------|--------|-----------|------|---------------------|-----------|------|--------|
| orban | | PROJECT | 8200 | TITLE | SCHEMATIC | | |
| | | APPROVALS | DATE | STEREO ENCODER CARD | | | |
| D/WN | SG | 7/90 | CKD | PC | 7/90 | APPD | PC |
| SIZE | DWG NO | 61085 | VER | REV | 000 | 04 | SHEET |
| C | | | | | | | 1 of 3 |

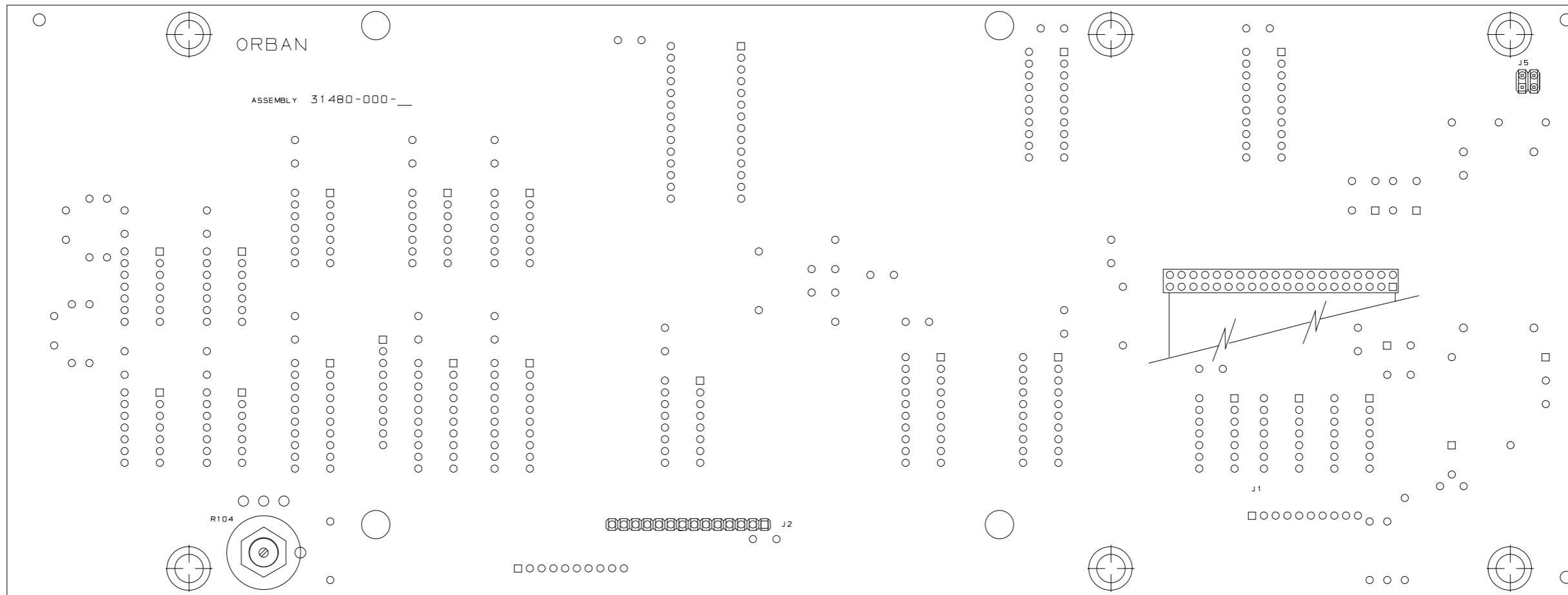


| | | | | | |
|--------------|------|--------------|---------------------|--------|---------|
| orban | | PROJECT 8200 | | TITLE | |
| APPROVALS | DATE | SCHEMATIC | | | |
| DWJN | SG | 7/90 | STEREO ENCODER CARD | | |
| CKD | PC | 7/90 | SIZE | DWG NO | VER REV |
| APPD | PC | 7/90 | C | 61085 | 000 04 |
| | | SHEET | | 2 OF 3 | |

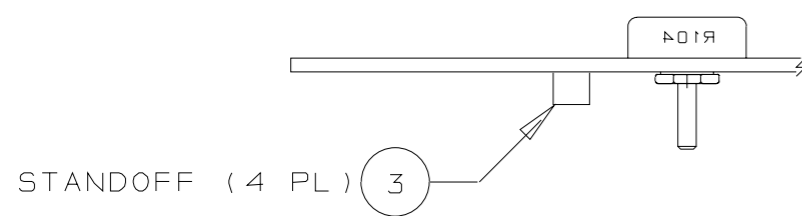


| | | | | | |
|--------------|----|--------------|------|---------------------|---------------|
| orban | | PROJECT 8200 | | TITLE | |
| APPROVALS | | DATE | | SCHEMATIC | |
| DWN SG | | 7/90 | | STEREO ENCODER CARD | |
| CKD | PC | 7/90 | SIZE | DWG NO | VER REV SHEET |
| APPD | PC | 7/90 | C | 61085 | 000 04 3 OF 3 |

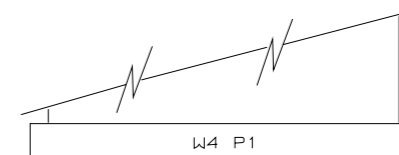
This Page Intentionally Left Blank.



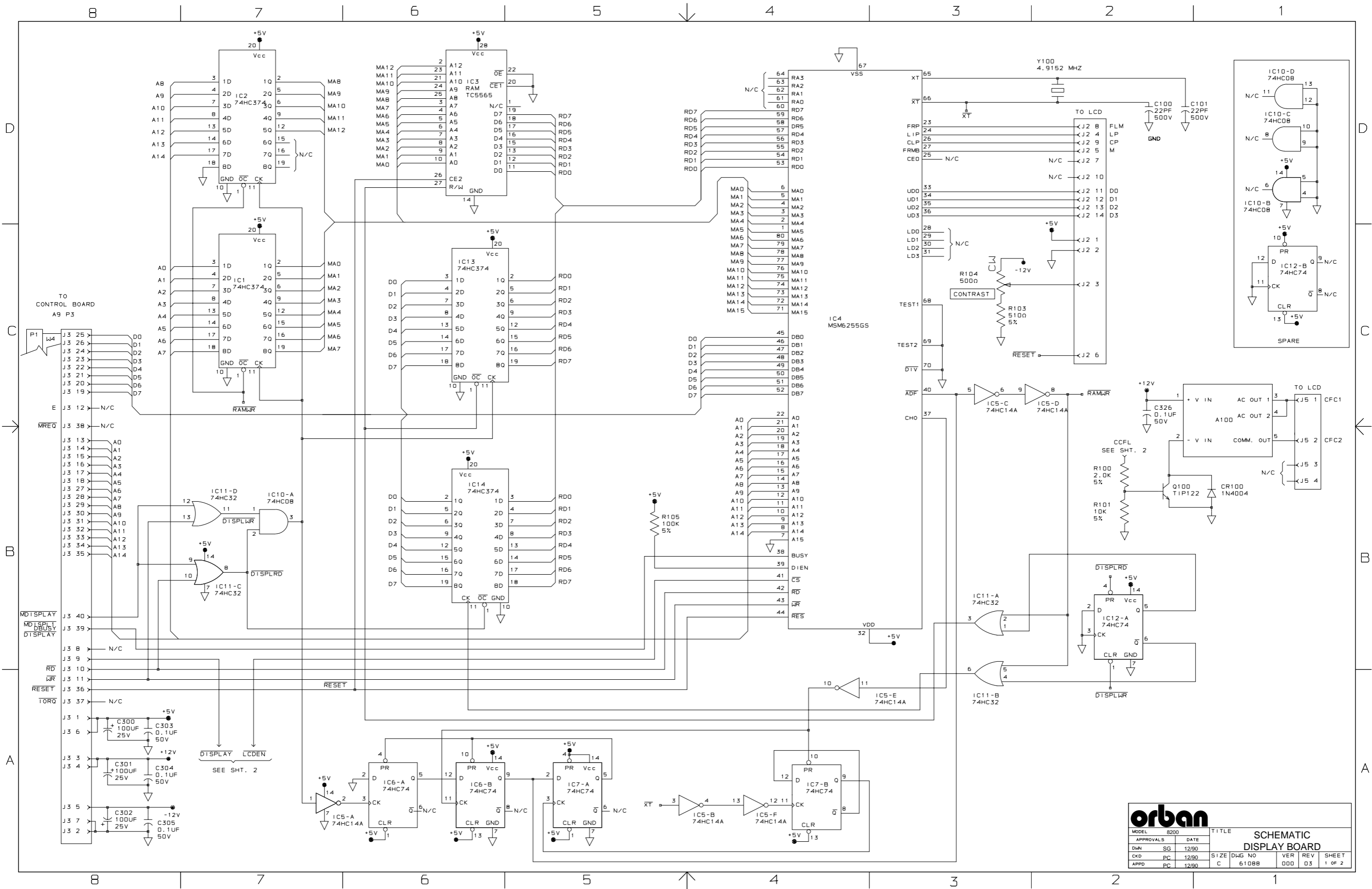
COMPONENT SIDE



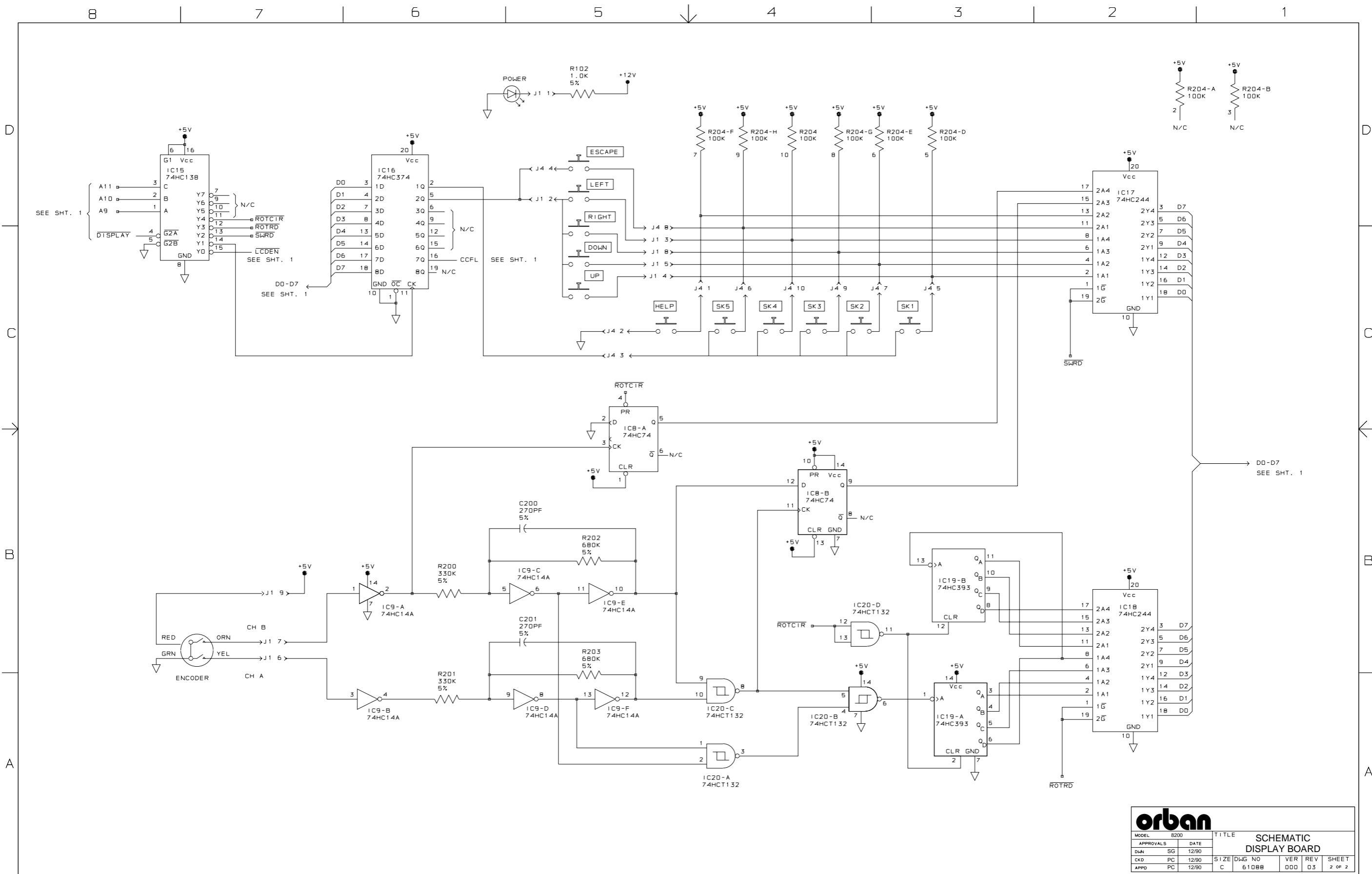
STANDOFF (4 PL)



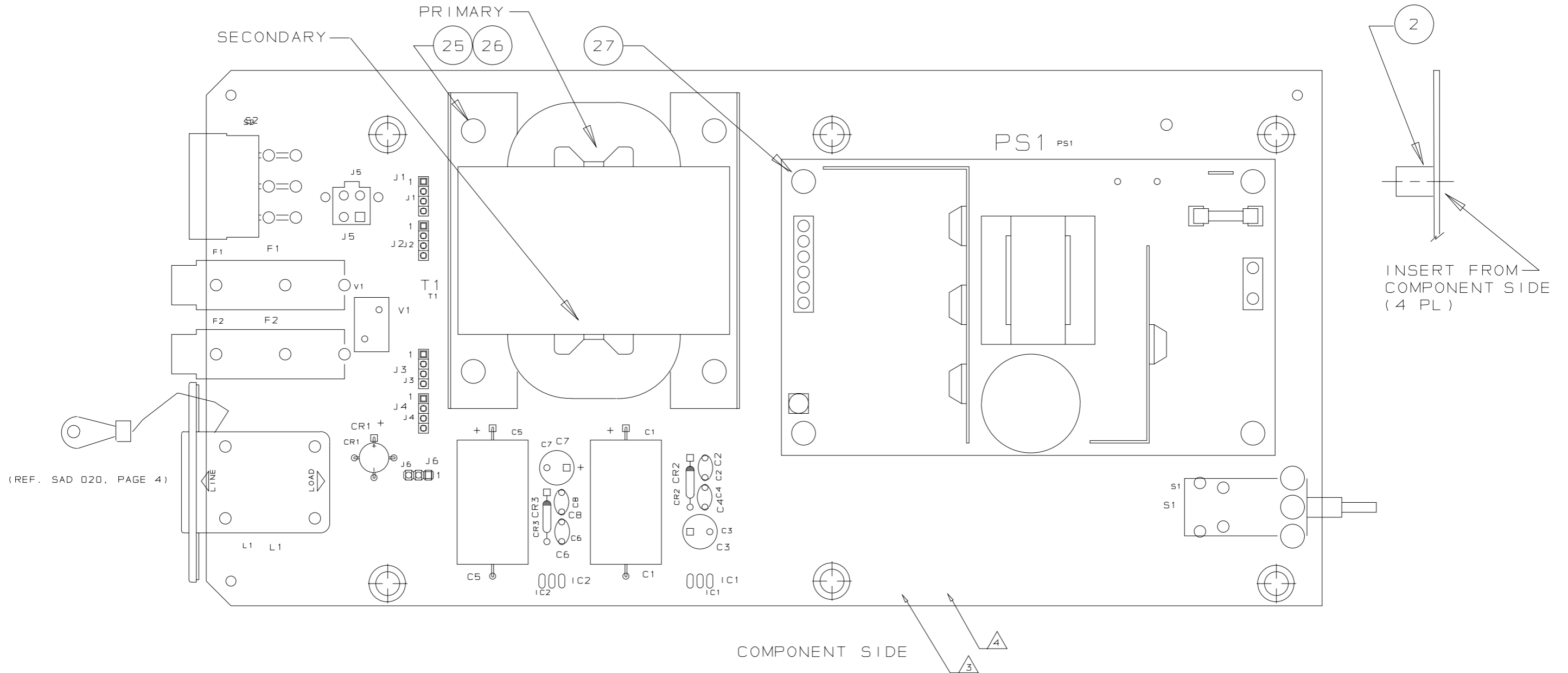
| | | | | | | |
|--------------|------|--------------------|--------|--------|-----|-----|
| orban | | TITLE | | | | |
| MODEL | 8200 | PCB ASSEMBLY | | | | |
| APPROVALS | DATE | MAIN DISPLAY BOARD | | | | |
| DwN | SG | 3/91 | SIZE | DWG NO | VER | REV |
| CKD | MJ | 3/91 | C | 31480 | 000 | 05 |
| APPD | MJ | 3/91 | 1 OF 1 | | | |



| | | | |
|--------------|----------|---------------|--------|
| orban | | TITLE | |
| MODEL | 8200 | SCHEMATIC | |
| APPROVALS | DATE | DISPLAY BOARD | |
| DwN | SG 12/90 | SIZE | Dwg NO |
| CKD | PC 12/90 | VER | REV |
| APPD | PC 12/90 | C | 61088 |
| | | 000 | 03 |
| | | | 1 OF 2 |



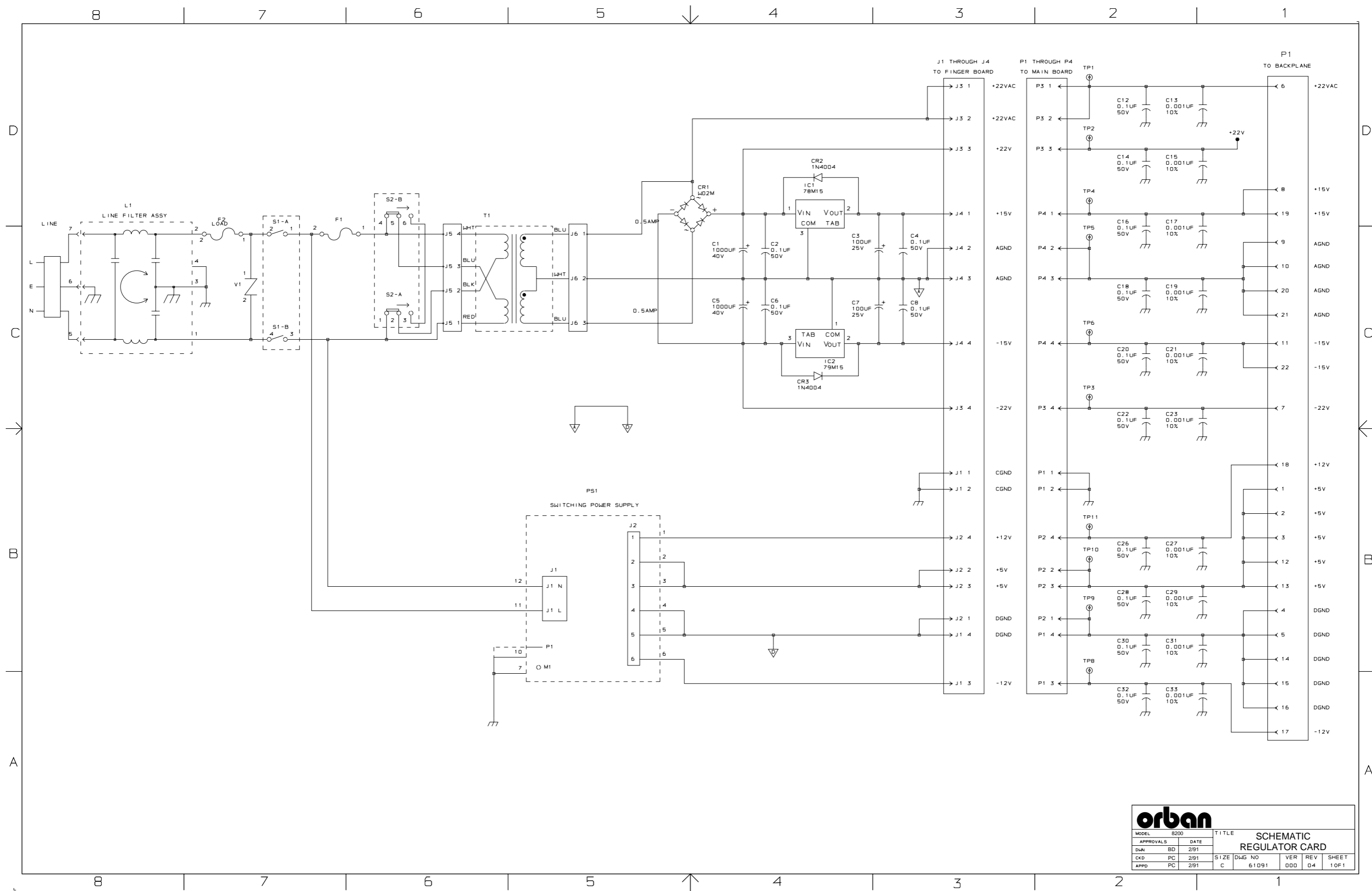
| | | | | | | | |
|--------------|----|------------|------|---------------|-----|-----|--------|
| orban | | MODEL 8200 | | TITLE | | | |
| APPROVALS | | DATE | | SCHEMATIC | | | |
| DESIGN | | 12/90 | | DISPLAY BOARD | | | |
| CKD | PC | 12/90 | SIZE | DWG NO | VER | REV | SHEET |
| APPD | PC | 12/90 | C | 61088 | 000 | 03 | 2 OF 2 |



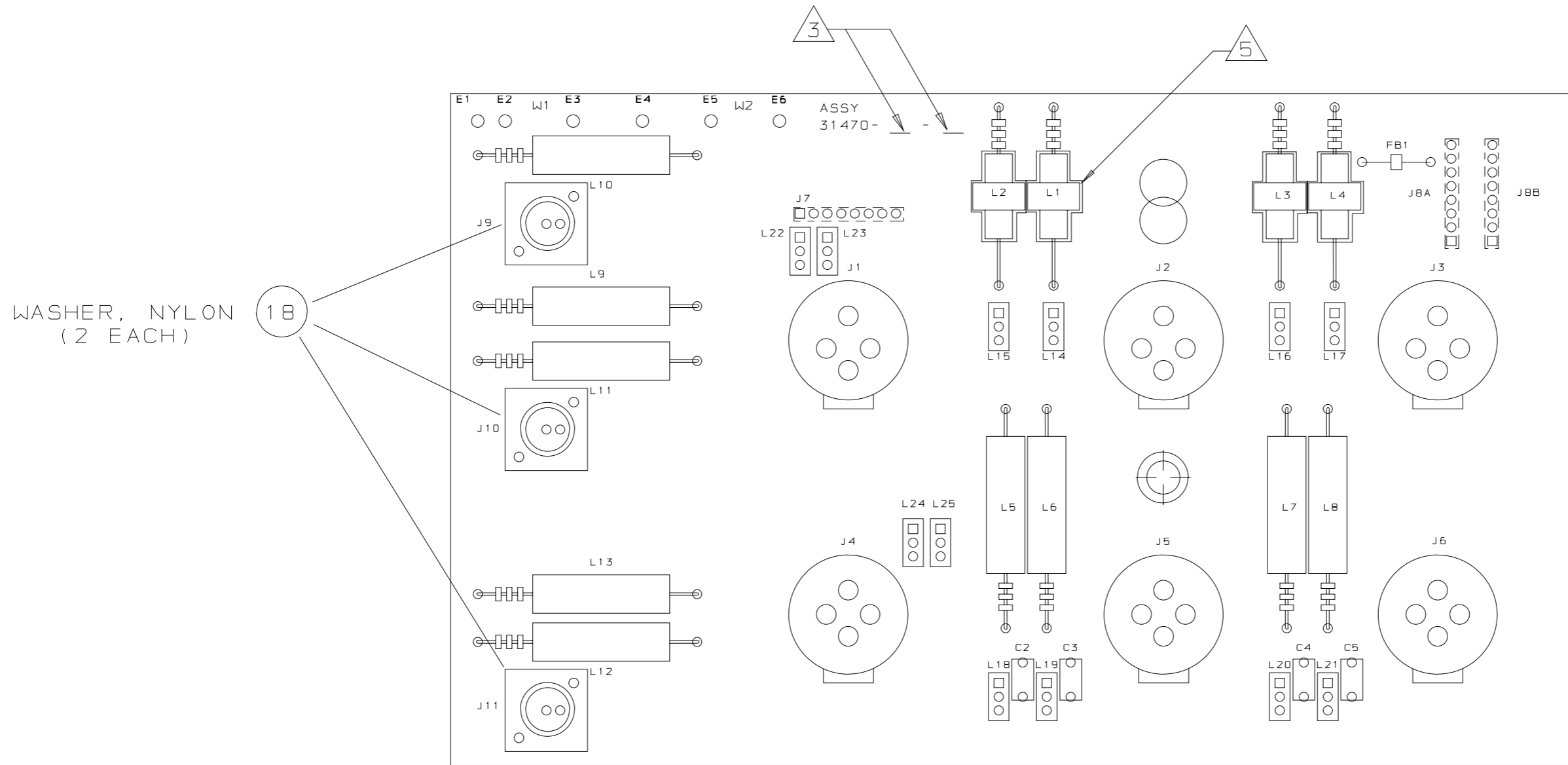
- 4 MARK VERSION NUMBER IN SPACE PROVIDED (CIRCUIT SIDE).
- 3 MARK ASSEMBLY REVISION LEVEL IN SPACE PROVIDED
- 2. REFERENCE SCHEMATIC DRAWING NO. 61091.
- 1. SQUARE PADS INDICATE PIN 1 OF CONNECTORS, CATHODE OF DIODES, POS. SIDE OF CAPS., PIN 1 OF ICS

NOTES: (UNLESS OTHERWISE SPECIFIED)

| | | | | | | |
|--------------|------|--------------------------------------|------|------|--------|--------|
| orban | | TITLE PCB ASSEMBLY REGULATOR CARD | | | | |
| MODEL | 8200 | APPROVALS | DATE | SIZE | DWG NO | VER |
| | | DJAN | BD | 2/91 | C | 31495 |
| CKD | MJ | 9/91 | | REV | 05 | SHEET |
| APPD | MJ | 9/91 | | | | 1 OF 1 |



| | | | | | |
|--------------|---------|----------------|--------|-----|------|
| orban | | TITLE | | | |
| MODEL | 8200 | SCHEMATIC | | | |
| APPROVALS | DATE | REGULATOR CARD | | | |
| D&N | BD 2/91 | SIZE | DWG NO | VER | REV |
| CKD | PC 2/91 | C | 61091 | 000 | 04 |
| APPD | PC 2/91 | | | | 10F1 |

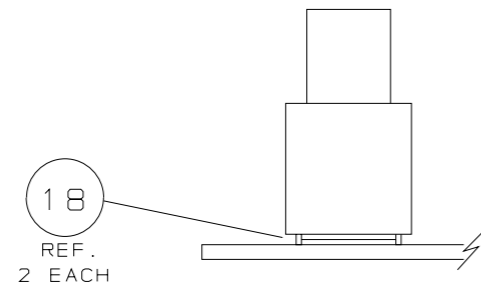


WASHER, NYLON
(2 EACH)

18

COMPONENT SIDE

INSERT FROM COMPONENT SIDE

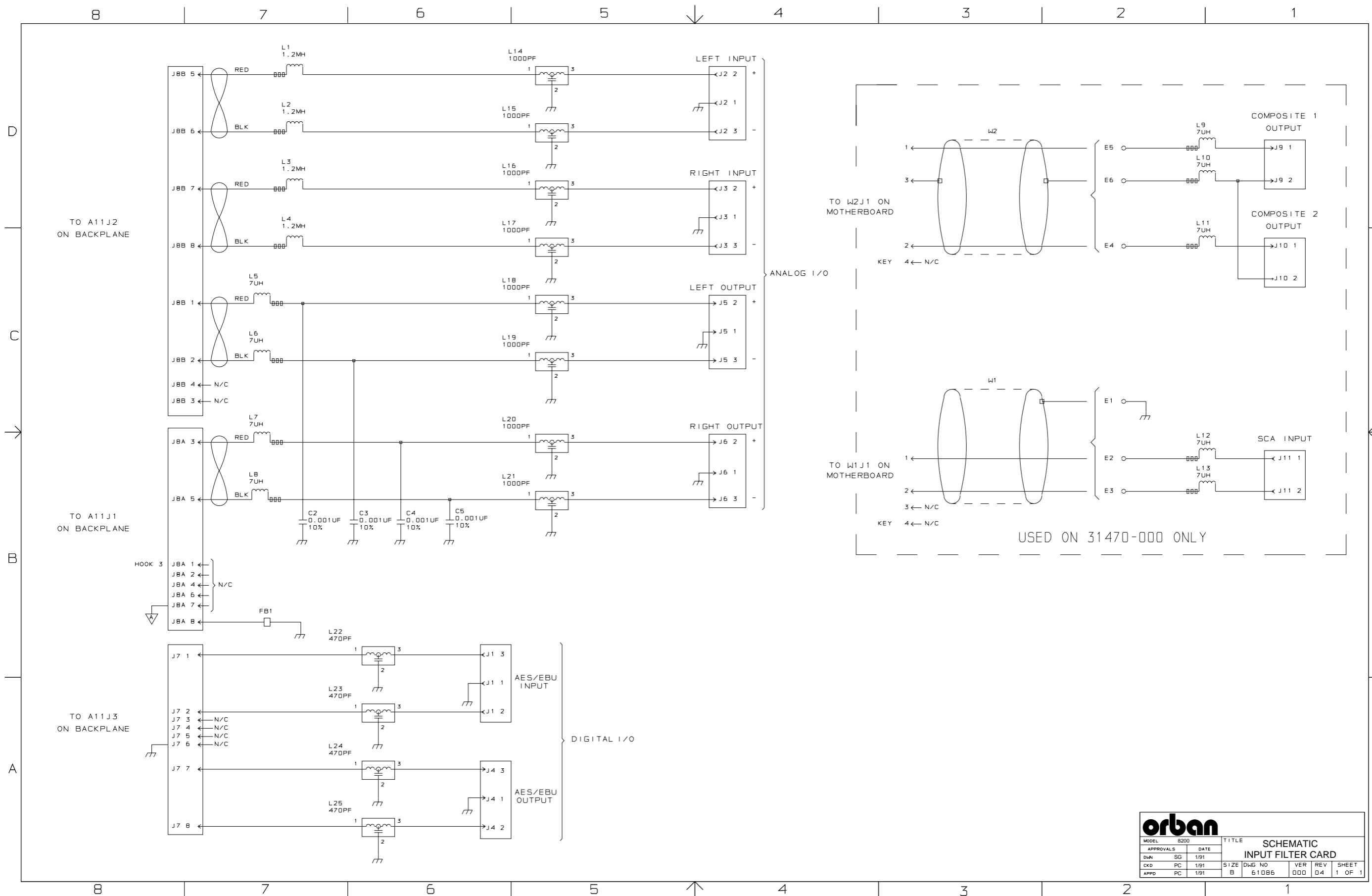


18
REF.
2 EACH

- 5 INSTALL 1/2" DIA X 1" SHRINK TUBE TO L1, L2, L3 & L4 BEFORE SOLDER FLOWING.
- 4. J7, J8A & J8B TO BE MOUNTED FROM SOLDER SIDE OF BOARD.
- 3. MARK ASSEMBLY VERSION AND REVISION LEVEL IN SPACE PROVIDED
- 2. REFERENCE SCHEMATIC DRAWING NO.
- 1. SQUARE PADS INDICATE PIN 1 OF CONNECTORS, CATHODE OF DIODES, POS. SIDE OF CAPS., PIN 1 OF ICs

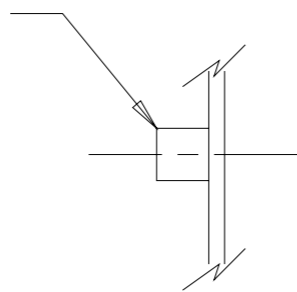
NOTES: (UNLESS OTHERWISE SPECIFIED)

| | | | | | | |
|--------------|------|---|-------|--------|-----|-----|
| orban | | TITLE PCB ASSEMBLY INPUT FILTER CARD | | | | |
| MODEL | 8200 | DATE | | | | |
| APPROVALS | BD | 10/91 | | | | |
| DWG | MJ | 10/91 | SIZE | DWG NO | VER | REV |
| APPD | MJ | 10/91 | C | 31470 | 000 | 04 |
| | | | SHEET | 1 OF 1 | | |

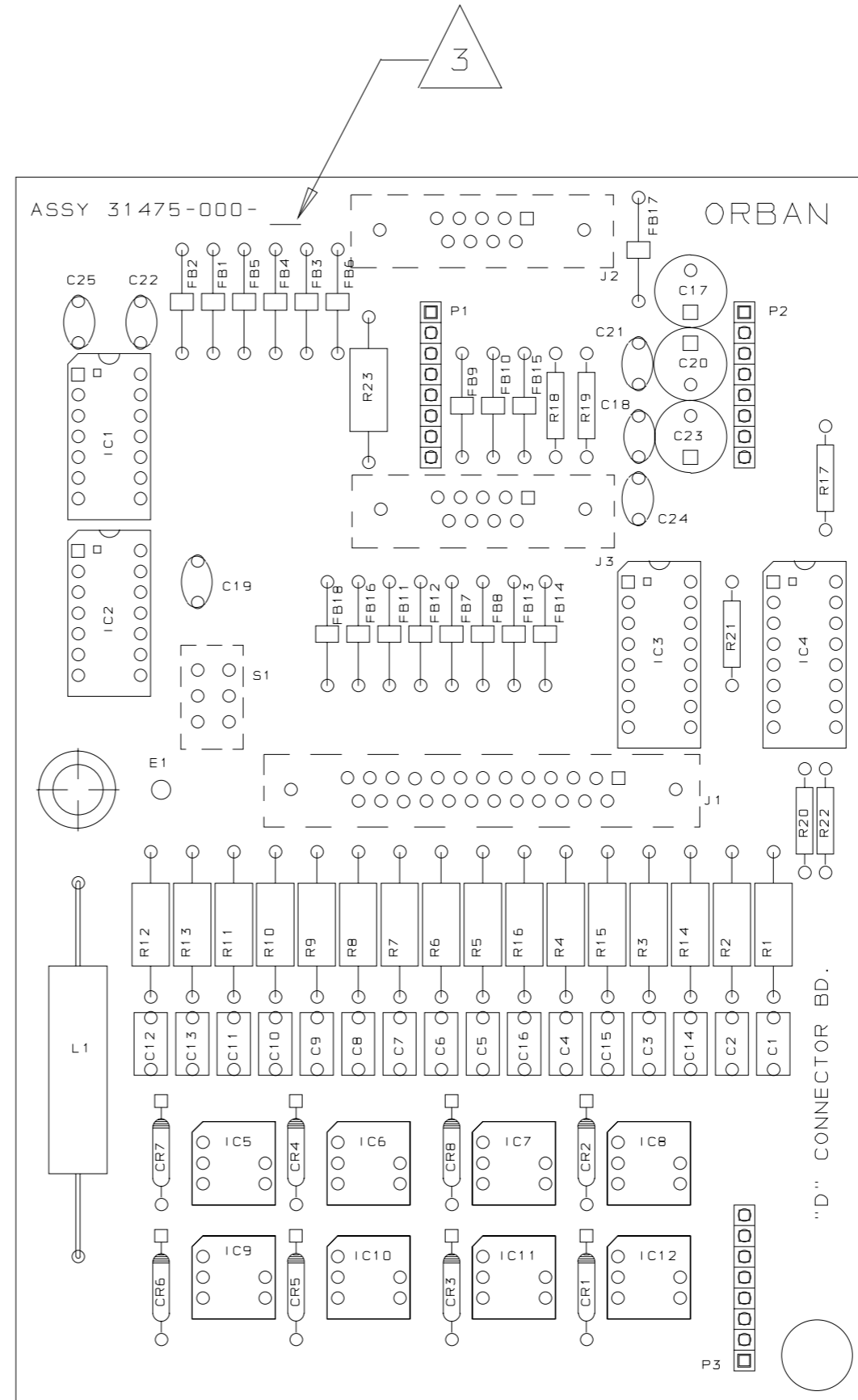


| | | | | | |
|--------------|---------|-------------------|--------|-----|--------|
| orban | | TITLE | | | |
| MODEL | 8200 | SCHEMATIC | | | |
| APPROVALS | DATE | INPUT FILTER CARD | | | |
| DtN | SG 1/91 | SIZE | DWG NO | VER | REV |
| CKD | PC 1/91 | B | 61086 | 000 | 04 |
| APPD | PC 1/91 | | | | 1 OF 1 |

INSERT FROM SOLDER SIDE

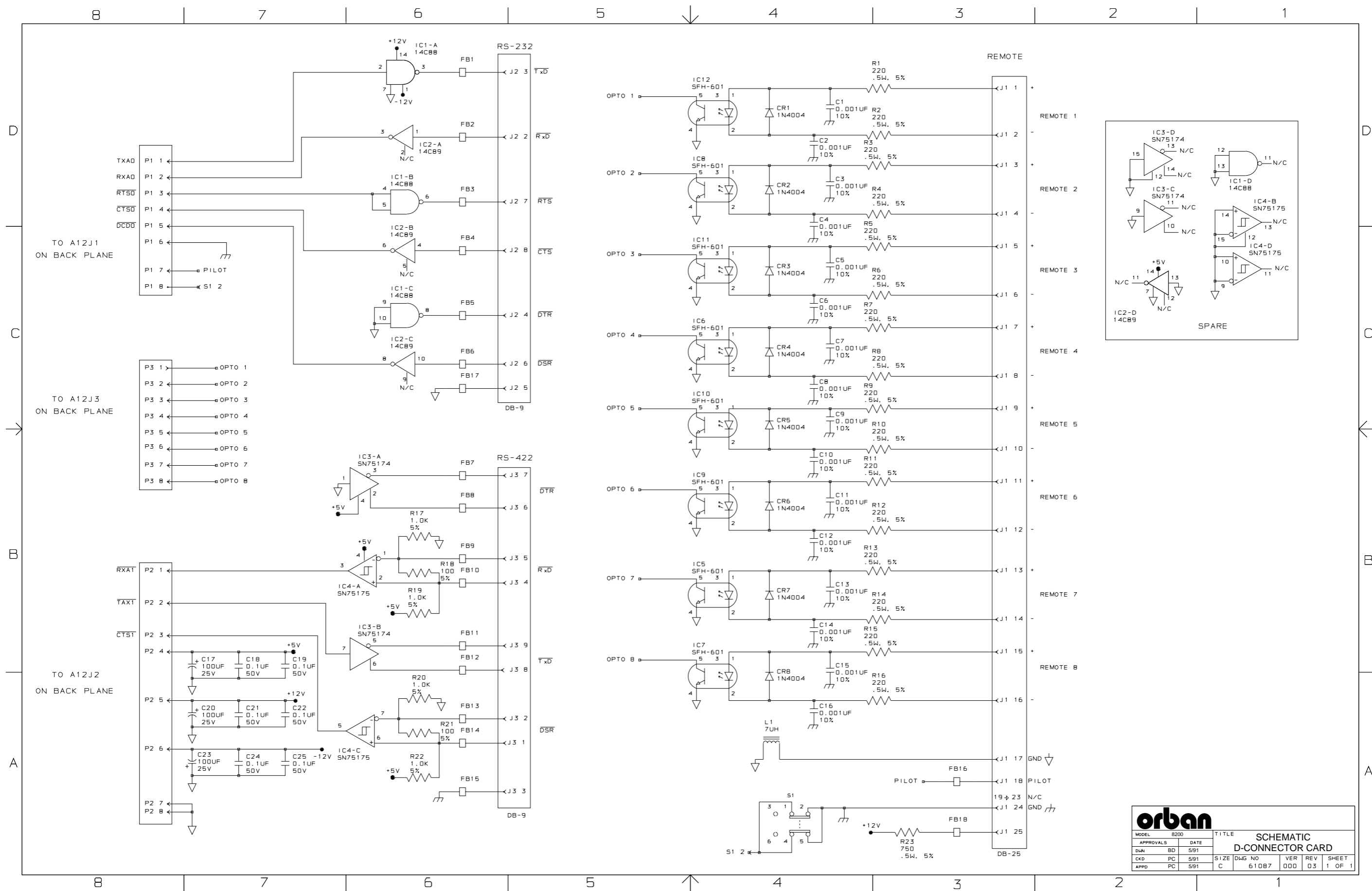


4. S1, J1, J2 & J3 ARE INSTALLED ON CIRCUIT SIDE OF BOARD.
 3. MARK ASSEMBLY REVISION LEVEL IN SPACE PROVIDED
 2. REFERENCE SCHEMATIC DRAWING NO.
 1. SQUARE PADS INDICATE PIN 1 OF CONNECTORS, CATHODE OF DIODES, POS. SIDE OF CAPS., PIN 1 OF ICs
- NOTES: (UNLESS OTHERWISE SPECIFIED)



COMPONENT SIDE

| | | | | | | |
|--------------|------|--------------------|--------|-----|-----|--------|
| orban | | TITLE PCB ASSEMBLY | | | | |
| MODEL | 8200 | DATE | | | | |
| APPROVALS | BD | 5/91 | | | | |
| DWG NO | MJ | SIZE | DWG NO | VER | REV | SHEET |
| APPD | MJ | C | 31475 | 000 | 03 | 1 OF 1 |



| | | | |
|--------------|------|------------------|--------|
| orban | | TITLE | |
| MODEL 8200 | DATE | SCHEMATIC | |
| APPROVALS | DATE | D-CONNECTOR CARD | |
| DwN BD 5/91 | | SIZE | DWG NO |
| CKD PC 5/91 | | VER | REV |
| APPD PC 5/91 | | 000 | 03 |
| | | SHEET | 1 OF 1 |

This Page Intentionally Left Blank.

Abbreviations

Some of the abbreviations used in this manual may not be familiar to all readers:

| | |
|-----------------|--|
| A/D (or A to D) | analog-to-digital converter |
| AES | Audio Engineering Society |
| AGC | automatic gain control |
| A-I | analog input |
| A-O | analog output |
| AT | “advanced technology” — IBM PC with 80286 or higher processor |
| BAL | balance |
| BBC | British Broadcasting Corporation |
| BNC | a type of RF connector |
| CALIB | calibrate |
| CIT | composite isolation transformer |
| CMOS | complementary metal-oxide semiconductor |
| COM | serial data communications port |
| DA (or D to A) | digital-to-analog converter |
| dBm | decibel power measurement. 0dBm = 1mW applied to a specified load. In audio, the load is usually 600Ω. |
| dBu | decibel voltage measurement. 0dBu = 0.775V RMS. For this application, the dBm-into-600Ω scale on voltmeters can be read as if it were calibrated in dBu. |
| DI | digital input |
| DJ | disk jockey, an announcer who plays records in a club or on the air |
| DO | digital output |
| DOS | Microsoft disk operating system for IBM PC |
| DSP | digital signal processor |
| EBU | European Broadcasting Union |
| EBS | Emergency Broadcasting System (U.S.A.) |
| EMI | electromagnetic interference |
| ESC | escape |
| FCC | Federal Communications Commission (USA regulatory agency) |
| FDNR | frequency-dependent negative resistor — an element used in rc-active filters |
| FET | field effect transistor |
| FFT | fast Fourier transform |
| FIFO | first-in, first-out |
| G/R | gain reduction |
| HF | high-frequency |

| | |
|---------|--|
| HP | high-pass |
| IC | integrated circuit |
| IM | intermodulation (or “intermodulation distortion”) |
| I/O | input/output |
| JFET | junction field effect transistor |
| LC | inductor/capacitor |
| LCD | liquid crystal display |
| LED | light-emitting diode |
| LF | low-frequency |
| LP | low-pass |
| LVL | level |
| MHF | midrange/high-frequency |
| MLF | midrange/low-frequency |
| MOD | modulation |
| N&D | noise and distortion |
| N/C | no connection |
| OSHOOT | overshoot |
| PC | IBM-compatible personal computer |
| PCM | pulse code modulation |
| PPM | peak program meter |
| RAM | random-access memory |
| RC | resistor/capacitor |
| REF | reference |
| RF | radio frequency |
| RFI | radio-frequency interference |
| RMS | root-mean-square |
| ROM | read-only memory |
| SC | subcarrier |
| SCA | subsidiary communications authorization — a non program-related subcarrier in the FM baseband above 23kHz (monophonic) or 57kHz (stereophonic) |
| S/P-DIF | Sony/Philips digital interface |
| TRS | tip-ring-sleeve (2-circuit phone jack) |
| THD | total harmonic distortion |
| TX | transmitter |
| μs | microseconds |
| VCA | voltage-controlled amplifier |
| VU | volume unit (meter) |
| XLR | a common style of 3-conductor audio connector |
| XTAL | crystal |

FIRST, FOLD THIS SIDE IN.

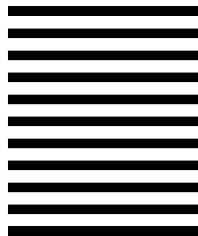
FOLD HERE

FOLD HERE



NO POSTAGE
NECESSARY IF
MAILED IN THE
UNITED STATES

BUSINESS REPLY MAIL
FIRST CLASS MAIL PERMIT NO 2445 SAN LEANDRO CA
POSTAGE WILL BE PAID BY ADDRESSEE



ATTN CUSTOMER SERVICE
Orban A DIVISION OF AKG ACOUSTICS INC
1525 ALVARADO STREET
SAN LEANDRO CA 94577-9810 USA



FOLD HERE

FOLD HERE

SECOND, FOLD THIS SIDE OVER. TAPE CLOSED — DO NOT STAPLE.