

ES 122-

SERVICE MANUAL



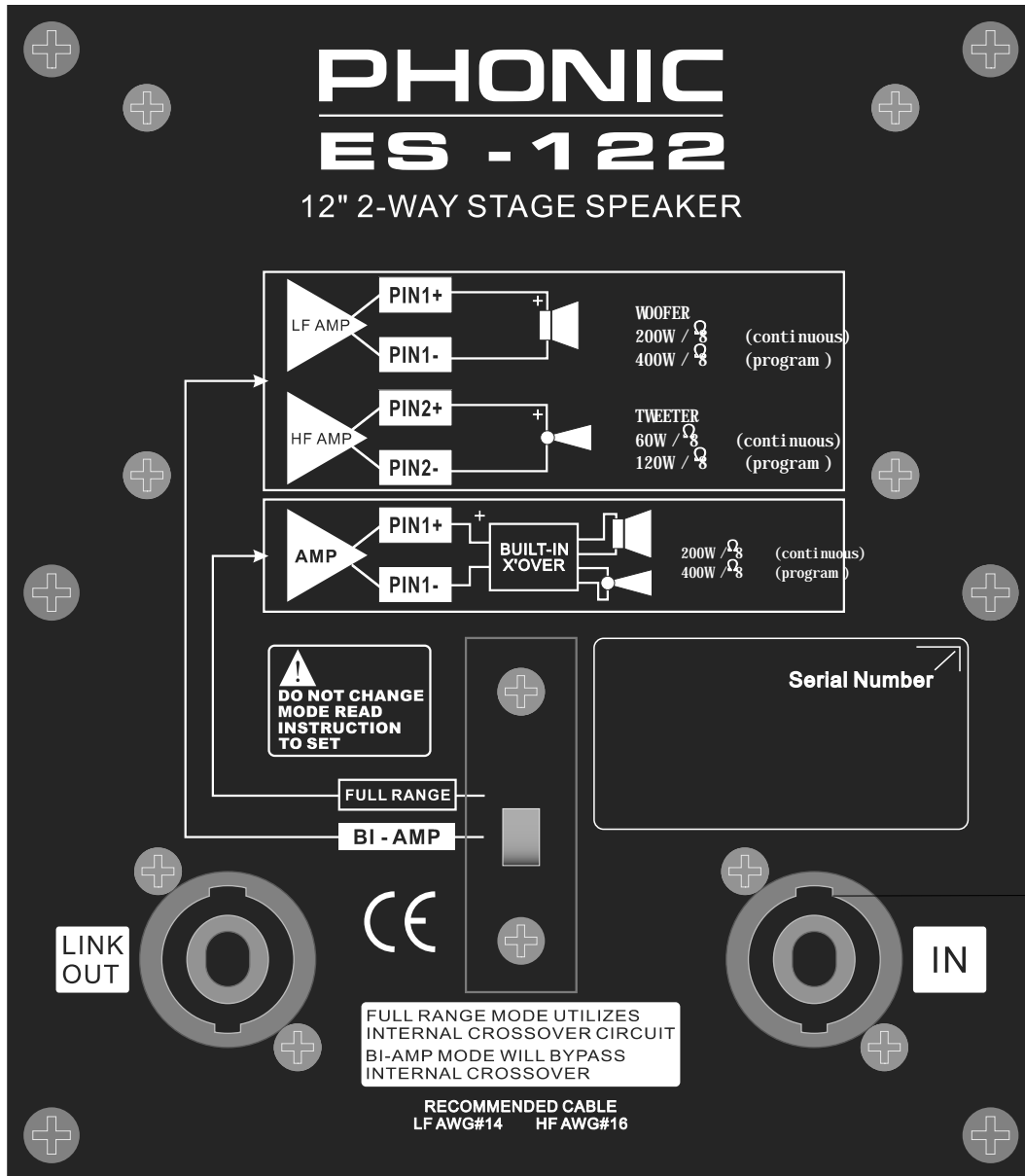
PHONIC

SERVICE MANUAL

CONTENTS

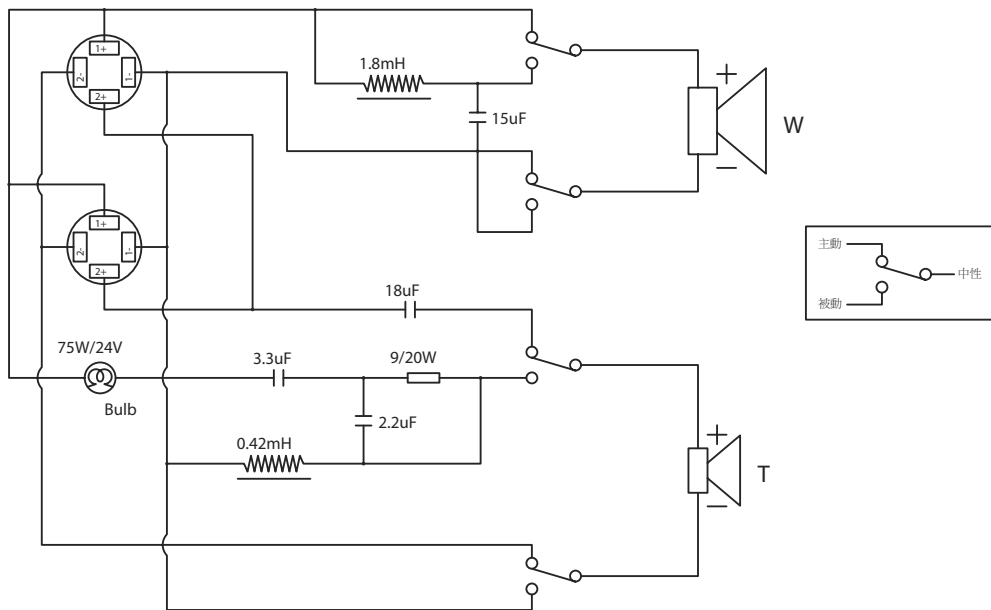
	PAGE
PANEL LAYOUT	3
POWER SUPPLY	4
BOM	5
MISCELLANEOUS ITEMS	5
PCB-PART LIST.....	6
WOOD CASE-PART LIST.....	7

PANEL LAYOUT



211-03400-021-0
LINK OUT/IN

POWER SUPPLY



MISCELLANEOUS ITEMS

Ref.	Phonic Part No.	Specifications
	000-00112-003-0	60MM*33Y
	560-70063-000-0	CARTON 523L*420W*785H K=A
	562-70011-021-0	FRONT PULP 487*643*26t K=A+B=B
	562-70011-022-0	REAR PULP 295*643*26t K=A+B=B
	562-70011-023-0	L/SIDE PULP 358*643*26t K=A+B=B
	562-70011-024-0	R/SIDE PULP 358*643*26t K=A+B=B
	562-70067-000-0	TOP/BOT PULP 500*403*60t K3A
	568-00003-000-0	#10 240*340*0.05
	568-70014-000-7	PE BAG SIZE:760*1100*0.06T
	572-00000-050-0	DRYER 5g
	573-60240-000-0	BAR CODE LABEL PHONIC
	574-00ES1-110-0	OWN.MANU. ES-series V.3

PCB-PART LIST

Ref.	Phonic Part No.	Specifications
	000-00130-000-0	12kg/(15L/*0.86GK/L)
R2	003-8008B-601-0	CEMENT RES. 8ohm 25W J AL
R1	003-9008B-601-0	CEMENT RES. 9ohm 25W J AL
C1	051-15634-050-0	M.P/C 15UF 250V J MKP -25__85
C3	051-22534-050-0	M.P/C 2.2UF 250V J SPIRIT -25__85
C2	051-40534-050-0	M.P/C 4UF 250V J SPIRIT -25__85
L2	072-60001-100-0	COIL 0.6mH D38*26.5 J Line D:0.8mm
L1	075-18011-120-0	INDUCTANCE 1.8mH 23*23*62 1.2
	211-01602-000-0	JACK D6.3mm BJ12-2 1/4"
	211-03400-021-0	SPEAKON/J SVP563S-CH
	211-13000-700-0	LAMP JACK D17*10t PH=5mm
	262-24000-700-0	LAMP 24V/75W
	290-70025-000-0	ES122V.3 108*134.5*1.6
	321-00000-020-0	CABLE TIE 140MM
WOOFER	380-60180-000-0	WIRE UL1015#16 L=400 2*205#PIN RED/BLK
TWEETER	380-60190-000-0	WIRE. UL1015#16 L=600 2*205#PIN YEL/BLUE
	552-60028-500-F	TERMAINAL PANEL V.3 SERIES
	552-60034-500-0	140*160*2t ES122V.3
JACK*4	590-03012-200-0	M/E FLT SCR. M3.0*12 BLK D=5.6mm
BOSS*8	590-53008-200-0	M/E SET SCR. M3.0*8 D=6 BLK
	600-00302-210-0	HEX. NUT M3.0*2.2 NI
	600-00822-000-0	HEX.NUT M9*12*2 NI
	615-70006-630-0	BOSS M3*5*27.5

WOOD CASE-PART LIST

Ref.	Phonic Part No.	Specifications
	341-01801-002-0	SPEAKER. 1 3/4" 8R 100W
	341-12002-000-0	WOOFER 12" 8R 200W ESM122/ES122V.3
	512-20680-010-0	LOGO PANEL ES-II 58*90*0.3t
	512-20690-090-0	LOGO PANEL 56*39.5*3t ES-II
	524-20010-010-0	HANDLE 56*180 3.6mm
	525-60018-010-0	FEET D38*D5*10t BLK
	528-70025-000-0	NET 348*592*1t ES122V.3
	552-20078-420-0	HANDEL 181*220*4.5t ABS BLK
	566-70021-000-0	45*50Y*40t 18kg/m
	573-20421-030-0	LABEL 8.9*93.4*1.3 PVC ESV.2
HANDLE*8	590-05035-200-0	M/E FLT M5*35 D8.5 BLK
BOT BOSS*4	590-06030-200-0	M/E FLT SCR. M6*30 D11 BLK
HIGH/LOW SPK	590-55035-200-0	M/E SET SCR. M5*35 BLK D8
HANDLE*10	592-04022-200-0	W/O FLT SCR. 4*22 BLK D8.5
TERMINAL PANEL*6	592-54018-200-0	W/O SET SCR. M4.0*18 BLK D8
TWEETER&WOOFER*8	592-54030-200-0	W/O SET SCREW D4*30 BLK
NET&FEET*8	593-54020-200-0	T/B SCR. 4*20 BLK D6.5 附D11
	600-70001-000-7	M5 WHT
	600-70002-000-0	NUT M6 WHT Fe
	615-70003-210-0	BOT BOSS D35*D108*89 SFJ308
	636-70011-002-0	2*50m
	638-44100-080-0	Driver 44mm 100W 8R ESM152/122/ES122/152
	639-00000-520-0	HORN ES152V.3
	700-00900-000-7	9mm 1220*2440mm
	700-01800-000-7	4"*8"*18MM
	700-11500-000-7	15mm 15*1220*2440mm
	700-12500-000-7	25*1220*2440mm
	710-70000-000-7	PT-3670
	710-70001-010-7	15kg/
	711-71500-000-7	F15 5000PCS/
	711-72000-000-7	F20
	711-73000-000-7	F30
	712-70000-530-7	20KG/
	714-70000-000-7	18KL

PHONIC
WWW.PHONIC.COM