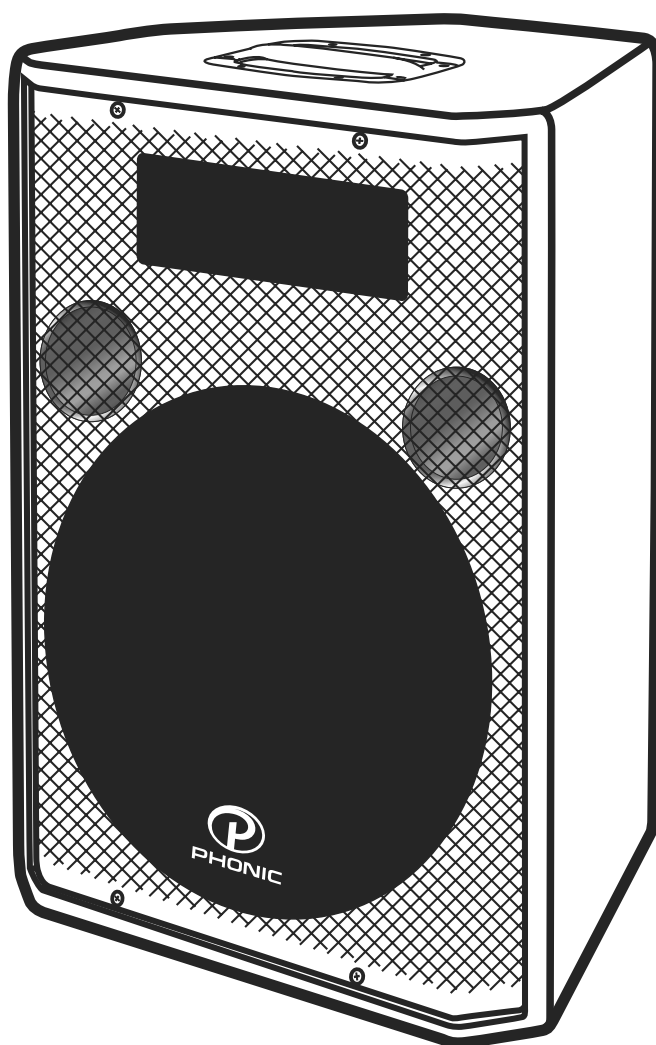


IMPRESSION 12

SERVICE MANUAL



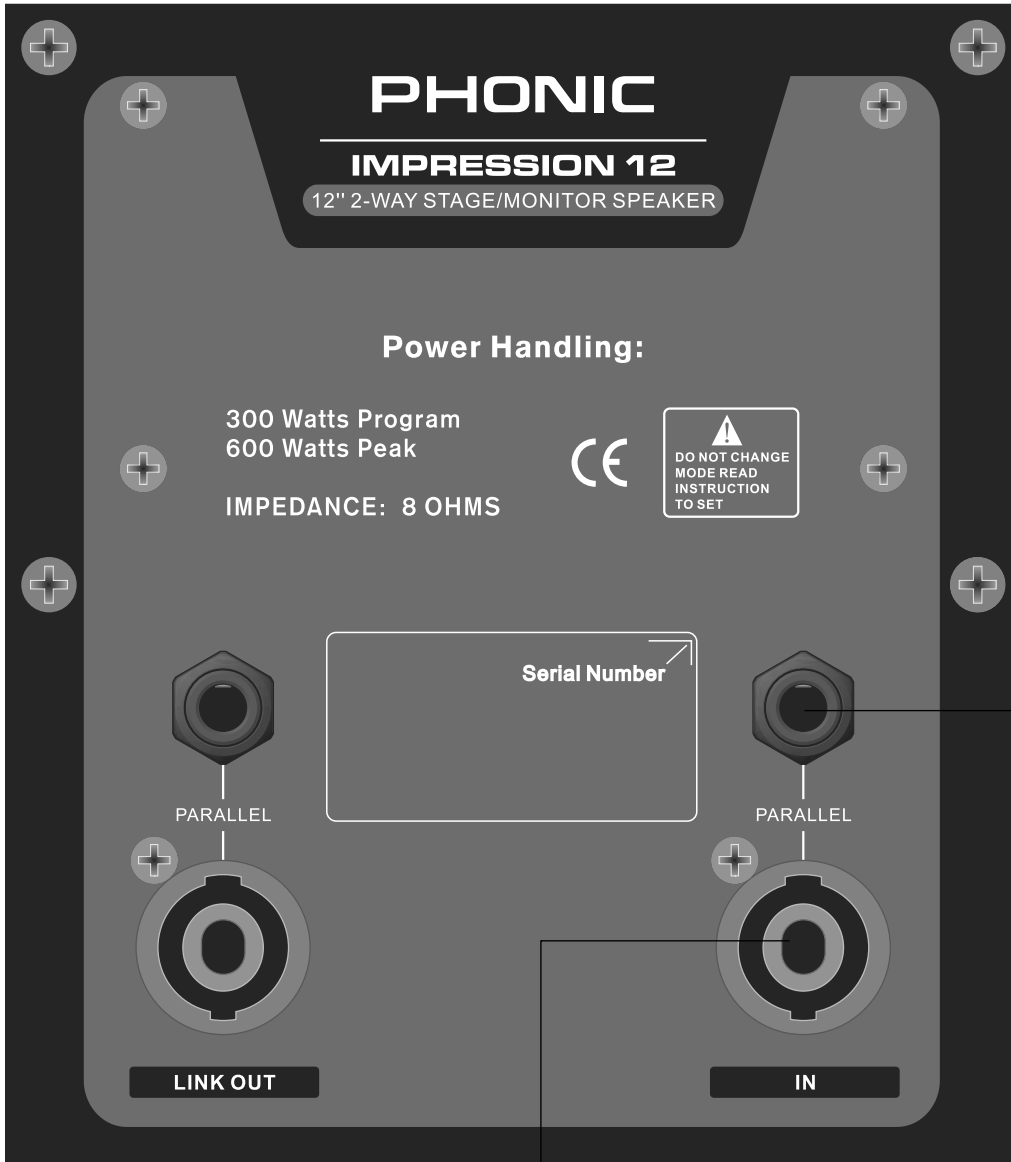
PHONIC

SERVICE MANUAL

CONTENTS

	PAGE
PANEL LAYOUT	3
POWER SUPPLY	4
BOM	5
MISCELLANEOUS ITEMS	5
PCB-PART LIST.....	6
WOOD CASE-PART LIST.....	7

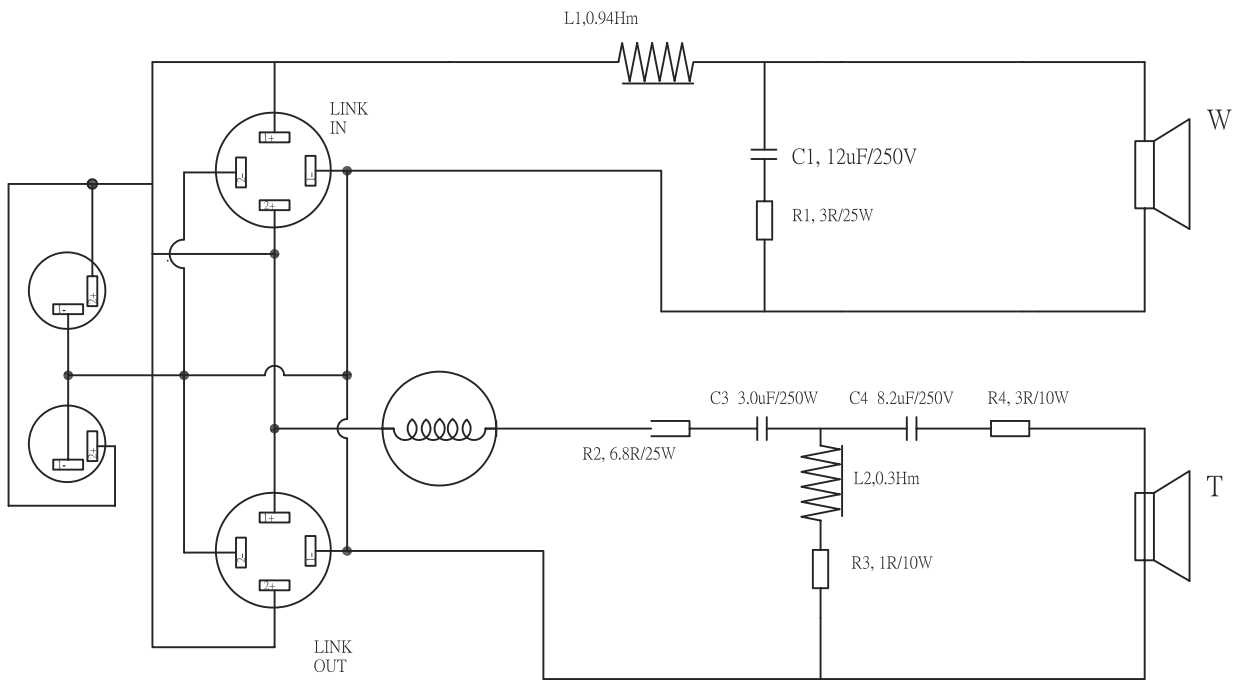
PANEL LAYOUT



211-03400-021-0
IN/LINK OUT SPEAKON

211-01602-000-0
IN/LINK OUT JACK

POWER SUPPLY



MISCELLANEOUS ITEMS

Ref.	Phonic Part No.	Specifications
	321-00000-020-0	CABLE TIE 140MM
	341-01408-800-0	TWEETER 8ohm 80W 44mm
	341-12000-001-0	WOOFER 12" 8ohm 100W
	512-20680-010-0	LOGO PANEL ES-II 58*90*0.3t
	512-20690-090-0	LOGO PANEL 56*39.5*3t ES-II
	524-60016-020-0	HANDLE 56*180 3.6mm
	525-60018-010-0	FEET D38*D5*10t BLK
	528-60031-000-0	NET 388*515*1t
	552-60046-430-0	HANDEL BLK
	560-61170-001-0	CARTON 495*405*397*405*618 K=A
	562-60322-000-0	550*260*153*191
	562-60323-000-0	PULP PANEL 437*355*340*355
	562-60335-000-0	PULP A=A
	562-70071-001-0	PULP 260*363*20 A=B
	566-60454-010-0	45*50Y*50MM
	566-70012-000-0	45*50Y*50T 18kg/M WHT
	568-00003-000-0	#10 240*340*0.05
	568-70014-000-7	PE BAG SIZE:760*1100*0.06T
	572-00000-050-0	DRYER 5g
	573-60240-000-0	BAR CODE LABEL PHONIC
	574-00150-110-0	OWN. MANU. PHONIC IMPRESSION
	590-06030-200-0	M/E FLT SCR. M6*30 D11 BLK
	590-35015-200-0	M/E RUD SCR.M5.0*15 BLK
	590-54018-200-0	M/E SET SCR. M4.0*18 BLK
	590-54035-200-0	M/E SET SCR. M4.0*35 BLK
	592-54018-200-0	W/O SET SCR. M4.0*18 BLK D8
	592-54030-200-0	W/O SET SCREW D4*30 BLK
	593-54020-200-0	T/B SCR. 4*20 BLK D6.5 D11
	610-00401-202-0	PLA. WAS. D4.0*D12.0*1.0 BLK
	610-00501-202-7	WASHER D12*D5*1.2t BLK
	614-60008-620-0	TUBE 60*65*88 BLK
	615-70003-210-0	BOT BOSS D35*D108*89 SFJ308
	638-60000-003-0	Driver 44mm 80hm 80W IMPRESSION12/15/215
	639-60000-010-0	HIGH HORN IMPRESSION

PCB-PART LIST

Ref.	Phonic Part No.	Specifications
R4	003-10085-601-0	CEMENT 1ohm J 10W
R3	003-30085-601-0	CEMENT RES. 3ohm 10W J
R1	003-3008B-601-0	CEMENT RES. 3ohm 25W J
R2	003-4008B-601-0	CEMENT RES. 4ohm 25W J
C1	048-12634-050-0	P.P/C 12UF 250V J MKP -25__85
C3	048-33534-050-0	P.P/C 3.3UF 250V J MKP -25__85
C4	048-82534-050-0	P.P/C 8.2UF 250V J
L2	075-30001-100-0	INDUCTANCE 0.3mH L=0.5
L1	075-94001-100-0	INDUCTANCE 0.94mH
	211-01602-000-0	JACK D6.3mm BJ12-2 1/4"
	211-03400-021-0	SPEAKON/J SVP563S-CH
	211-13000-700-0	LAMP JACK D17*10t PH=5mm
	262-24000-700-0	LAMP 24V/75W
	290-70015-000-0	IMP12/15/215 PCB 108*134.5*1.6
	321-00000-020-0	CABLE TIE 140MM
PHONE JACK	379-04500-123-0	M.WIRE. UL1015#20 50MM RED
	380-60471-000-0	M.WIRE UL1015 #16 L=550 2*187T
T+/T-	380-60500-000-0	W.WIRE.UL1015#16 610MM 110/187# RED/BLK
	552-60028-500-F	TERMAINAL PANEL V.3 SERIES
	552-60044-420-0	56*180 3.6mm
	590-03012-200-0	M/E FLT SCR. M3.0*12 BLK D=5.6mm
	590-53008-200-0	M/E SET SCR. M3.0*8 D=6 BLK
	600-00302-210-0	HEX. NUT M3.0*2.2 NI
	615-70006-630-0	BOSS M3*5*27.5

WOOD CASE-PART LIST

Ref.	Phonic Part No.	Specifications
	600-70000-040-7	M4
	600-70002-000-0	NUT M6 WHT Fe
	636-10002-100-0	BLK 50
	700-00900-000-7	9mm 1220*2440mm
	700-01500-000-7	15mm 1220*2440mm
	700-11500-000-7	15mm 15*1220*2440mm
	710-70000-000-7	PT-3670
	710-70001-010-7	15kg
	711-72000-000-7	F20
	711-73000-000-7	F30
	712-70000-530-7	20KG
	714-70000-000-7	18KL

PHONIC
WWW.PHONIC.COM