

PPC 8000(E)/9000(E)

Integrated Mobile Sound System

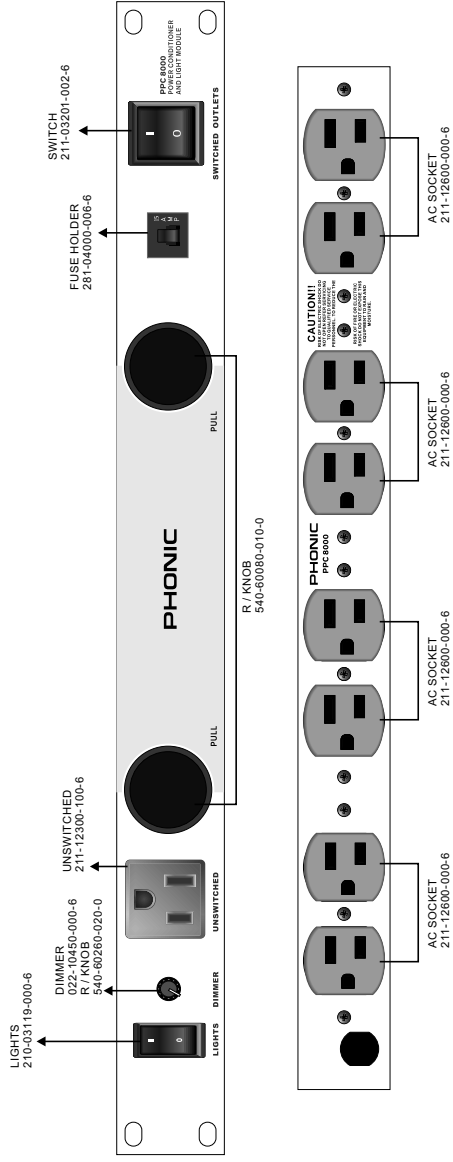
SERVICE MANUAL



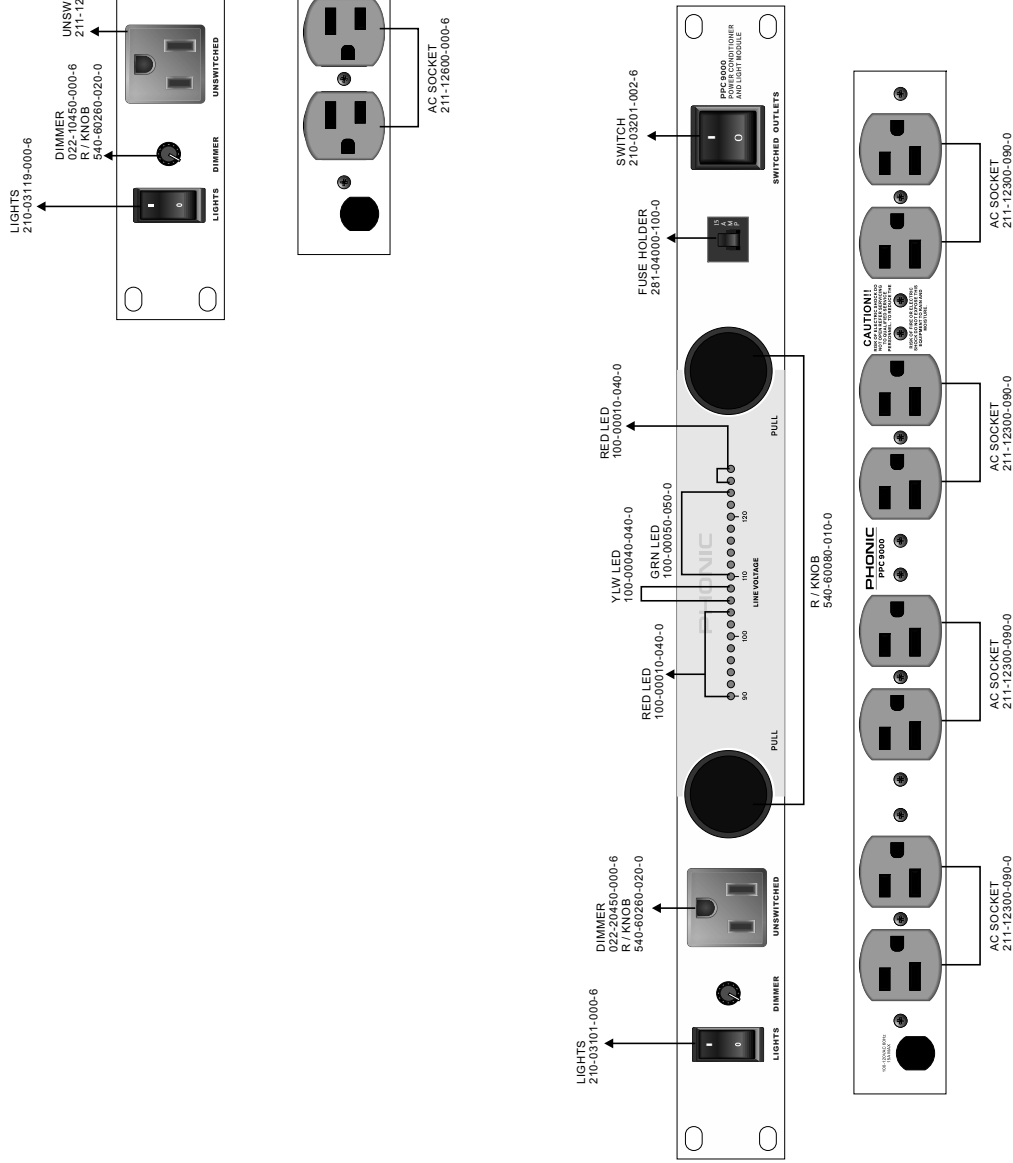
PPC 8000(E)/9000(E) SERVICE MANUAL

CONTENTS

	PAGE
PANEL LAYOUT	3
PPC 8000/9000 PCB	4
PPC 8000E/9000E UL.....	5
8000(E) BOM	
POWER REQUIREMENT CLASSIFICATION	6
PUT PCB-PART LIST	7
MISCELLANEOUS ITEMS	8
CONTROL AND INPUT PCB-PART LIST.....	10
9000(E) BOM	
POWER REQUIREMENT CLASSIFICATION	11
CONTROL AND INPUT PCB-PART LIST.....	12
PUT PCB-PART LIST	13
MISCELLANEOUS ITEMS	14
MAIN PCB-PART LIST	16

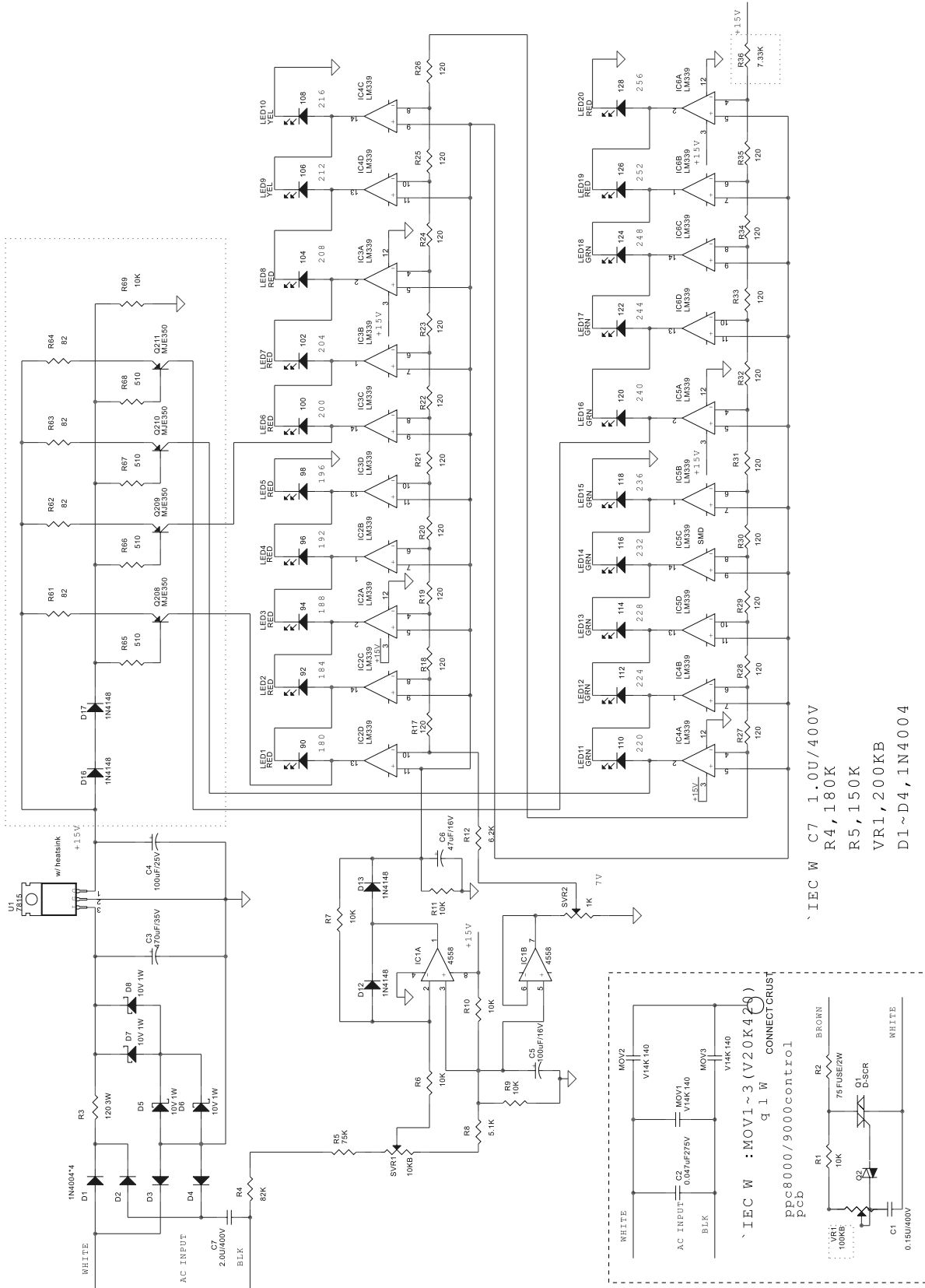


PPC 8000

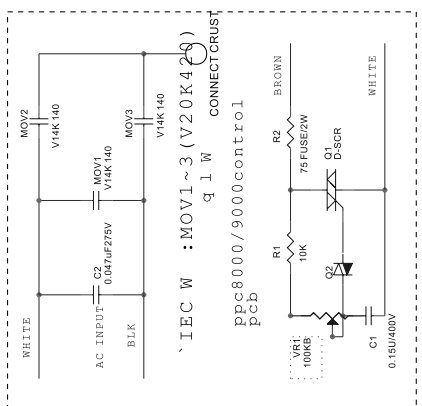


PPC 9000

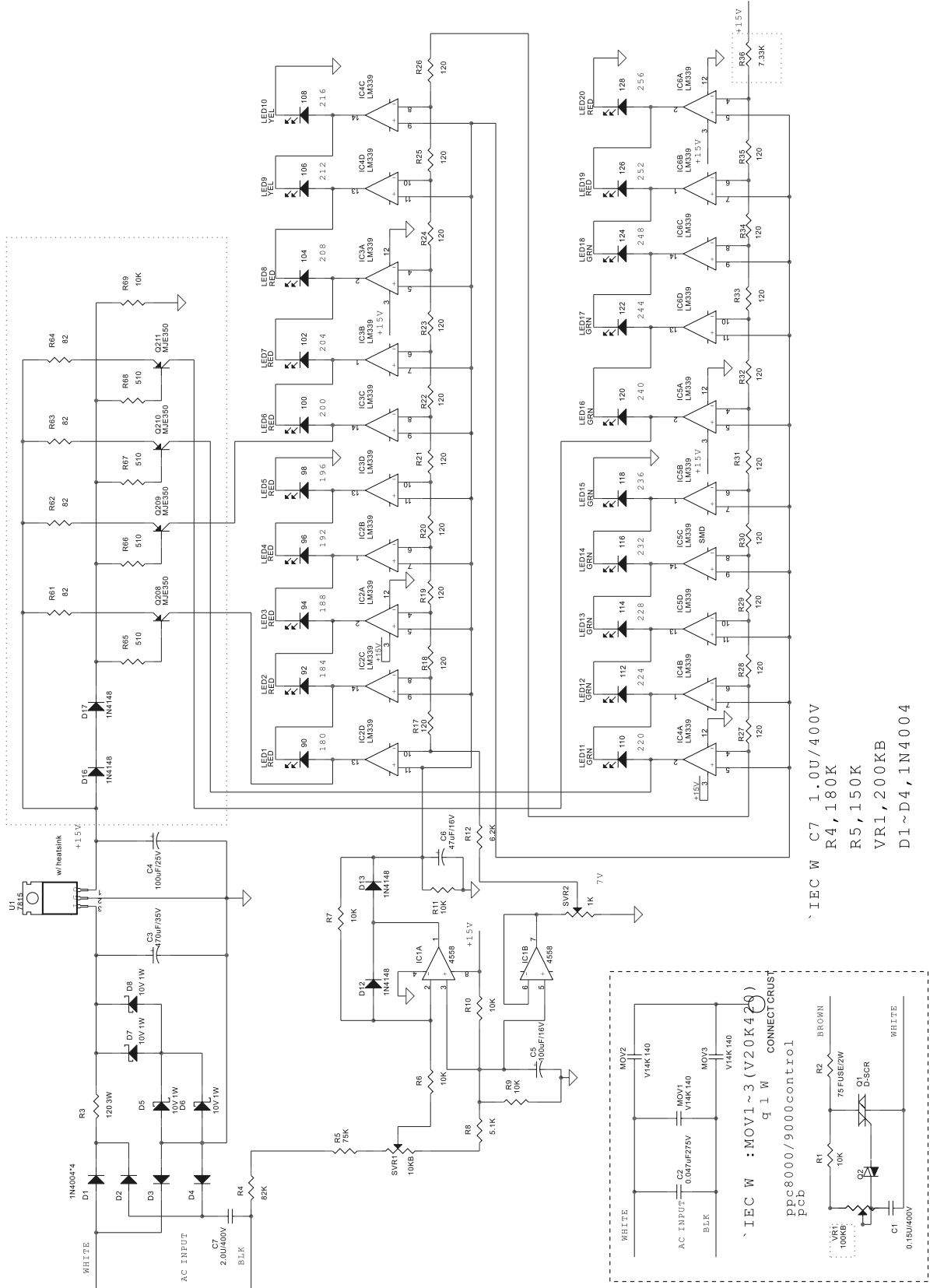
PPC 8000/9000 PCB



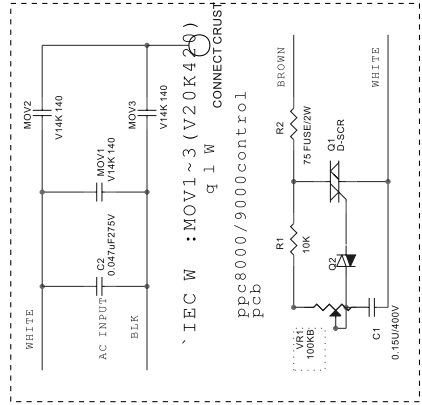
- IEC W C7 1.0U/400V
- R4, 180K
- R5, 150K
- VR1, 200KB
- D1 ~ D4, 1N4004



PPC 8000E/9000E UL



- IEC W C7 1.0U/400V
- R4, 180K
- R5, 150K
- VR1, 200KB
- D1 ~ D4, 1N4004



POWER REQUIREMENT CLASSIFICATION

Ref.	Phonic Part No.	Specifications
IEC	000-22426-400-0	CF RES. 220K J 0.25W T
	262-23111-000-6	LAMP 230V 7W
	281-04000-100-0	FUSE HOLDER FUSE 10AMP SB-8
	370-15640-320-0	P/CORD IEC 15A
	527-11000-000-0	STR.REL BUSHING 6W3-4 R (6N3-4)
SA	000-22426-400-0	CF RES. 220K J 0.25W T
	262-23111-000-6	LAMP 230V 7W
	281-04000-100-0	FUSE HOLDER FUSE 10AMP SB-8
	370-27660-818-0	P/CORD 240V 15A 3M SA
	527-11000-000-0	STR.REL BUSHING 6W3-4 R (6N3-4)
SAA	000-22426-400-0	CF RES. 220K J 0.25W T
	262-23111-000-6	LAMP 230V 7W
	281-04000-100-0	FUSE HOLDER FUSE 10AMP SB-8
	370-11660-818-0	P/CORD 240V 10A 3M SAA
	527-11000-000-0	STR.REL BUSHING 6W3-4 R (6N3-4)
BS	000-22426-400-0	CF RES. 220K J 0.25W T
	262-23111-000-6	LAMP 230V 7W
	281-04000-100-0	FUSE HOLDER FUSE 10AMP SB-8
	370-26660-418-0	P/CORD 230V 13A 3M BS
	527-11000-000-0	STR.REL BUSHING 6W3-4 R (6N3-4)

PUT PCB-PART LIST

Ref.	Phonic Part No.	Specifications
C2	050-10495-020-0	MM/C 0.1MF K 275V P (IEC 384 2ND)
	290-61210-200-0	PCB8000/9000
MOV1-3	301-42100-000-0	ZNR V20K420

MISCELLANEOUS ITEMS

Ref.	Phonic Part No.	Specifications
	210-03101-000-6	SSA/SW W/O
	210-03201-002-6	SSA/SW W/LAMIP 20AMP R210-C5L-BRI
	210-06102-100-0	MCR/SW KW3A-16E6B-C230
	211-12300-080-0	AC SOCKET SS-130-PC-NEW
	211-12300-090-0	AC SOCKET 742W-5P-15SE6NA
	211-13000-001-0	SPT-1 #22
	212-60016-000-0	WIRE. 180MM 1617#16 BLK
	212-60017-000-0	WIRE. 180MM 1617#16 WHT
	263-00020-000-6	NEON LAMP NE-2H 6*13 AC250V
	315-00001-000-0	LUG 3D
	321-00000-070-0	CABLE TIE HW-100MM
	379-11121-100-0	M WIRE 120MM 1015#16 GRN+YLV
	379-12116-106-6	M.WIRE 80MM UL1617#16 BLK
	379-12116-166-6	M.WIRE 80MM 1015#16 GRN+YLV
	379-12116-196-6	M.WIRE 80MM UL1617#16 WHT
	380-60022-002-0	W.WITH LUG BLK
	510-60330-210-0	PANEL PPC8000
	511-60013-504-0	BACK PANEL PPC8000
	516-60002-100-0	TOP COV PPC1100/1200 SECC=1.0
	517-60760-202-0	BOT. COV. PPC8000/8000E/9000/9000E
	525-60010-000-0	FEET SIZE:20*20*8.0MM SF-006
LAMP	540-60080-010-0	R/KNOB D34.5*16 BLK
	540-60260-020-0	R/KNOB BLK
	543-60040-020-0	TUBE FRONT BUSHING
	543-60050-020-0	REAR BUSHING
	551-60013-100-0	LEFT BRACKET PPC1100/1200
	551-60016-000-0	LITTLE BRACKET PPC1100/1200 SECC
	551-60016-002-0	LAMP BRACKET PPC8000
	551-60019-100-0	RIGHT BRACKET PPC1100/1200
	552-60002-400-0	TOP/BOT BOARD FIXED
	560-60047-301-0	CARTON PPC8000E SIZE:585*436*267 A=B
	561-60040-501-0	G/B PPC8000E SIZE:570*104*247 300g+B9B9
	566-60018-010-0	SPONGE SIZE: 80*10*1.0 EVA
	566-60021-020-0	45*20*11 FIREPROOF COTTON
	567-60020-000-0	EPE PCR2213
	568-00003-000-0	#10 240*340*0.05

Ref.	Phonic Part No.	Specifications
	568-20004-001-0	PE BAG 650*300*0.05MM
	568-60057-000-0	100*70MM
	572-00000-050-0	PE BAG 650*300*0.05MM
	573-10124-010-0	GND LABEL MAR2
	573-60240-000-0	BAR CODE LABEL PHONIC
	573-60343-000-0	LABEL BLUE D=8mm
	574-90120-110-0	OWN. MANU. PPC8000
	615-60017-620-0	PLA.BOSS PPC1100/1200
	630-20047-410-0	MYLAR INSU 63*35*0.5MM
	630-60021-420-0	MYLAR INSU 60*50*1.0
	630-60021-430-0	MYLAR INSU 120*2*0.6MM
	631-20029-000-0	HEMELON 10*10

CONTROL AND INPUT PCB-PART LIST

Ref.	Phonic Part No.	Specifications
R1	000-10326-400-0	CF RES. 10K J 0.25W T
R2	005-75036-400-6	MOF RES 75 J 3W T
VR1	022-20450-000-6	S.ROT/VR 200KB
C1	046-15434-000-6	M/C 0.15UF/400V J 5
Q1	159-01000-000-6	TRIAC MAC 97A6
	159-03000-000-6	DIAC DB3 DIP(ST)
	290-60110-001-0	PPC1100 CONTROL (A)

POWER REQUIREMENT CLASSIFICATION

Ref.	Phonic Part No.	Specifications
IEC	000-22426-400-0	CF RES. 220K J 0.25W T
	262-23111-000-6	LAMP 230V 7W
	281-04000-100-0	FUSE HOLDER FUSE 10AMP SB-8
	370-15640-320-0	P/CORD IEC 15A
	527-11000-000-0	STR.REL BUSHING 6W3-4 R (6N3-4)
SA	000-22426-400-0	CF RES. 220K J 0.25W T
	262-23111-000-6	LAMP 230V 7W
	281-04000-100-0	FUSE HOLDER FUSE 10AMP SB-8
	370-27660-818-0	P/CORD 240V 15A 3M SA
	527-11000-000-0	STR.REL BUSHING 6W3-4 R (6N3-4)
SAA	000-22426-400-0	CF RES. 220K J 0.25W T
	262-23111-000-6	LAMP 230V 7W
	281-04000-100-0	FUSE HOLDER FUSE 10AMP SB-8
	370-11660-818-0	P/CORD 240V 10A 3M SAA
	527-11000-000-0	STR.REL BUSHING 6W3-4 R (6N3-4)
BS	000-22426-400-0	CF RES. 220K J 0.25W T
	262-23111-000-6	LAMP 230V 7W
	281-04000-100-0	FUSE HOLDER FUSE 10AMP SB-8
	370-26660-418-0	P/CORD 230V 13A 3M BS
	527-11000-000-0	STR.REL BUSHING 6W3-4 R (6N3-4)

CONTROL AND INPUT PCB-PART LIST

Ref.	Phonic Part No.	Specifications
R1	000-10326-400-0	CF RES. 10K J 0.25W T
R2	005-75036-400-6	MOF RES 75 J 3W T
VR1	022-20450-000-6	S.ROT/VR 200KB
C1	046-15434-000-6	M/C 0.15UF/400V J 5
Q1	159-01000-000-6	TRIAC MAC 97A6
	159-03000-000-6	DIAC DB3 DIP(ST)
	290-60110-001-0	PPC1100 CONTROL (A)

PUT PCB-PART LIST

Ref.	Phonic Part No.	Specifications
C2	050-10495-020-0	MM/C 0.1MF K 275V P (IEC 384 2ND)
	290-61210-200-0	PCB8000/9000
MOV1-3	301-42100-000-0	ZNR V20K420

MISCELLANEOUS ITEMS

Ref.	Phonic Part No.	Specifications
	210-03101-000-6	SSA/SW W/O
	210-03201-002-6	SSA/SW W/LAMIP 20AMP R210-C5L-BRI
	210-06102-100-0	MCR/SW KW3A-16E6B-C230
	211-12300-080-0	AC SOCKET SS-130-PC-NEW
	211-12300-090-0	AC SOCKET 742W-5P-15SE6NA
	211-13000-001-0	SPT-1 #22
	212-60016-000-0	WIRE. 180MM 1617#16 BLK
	212-60017-000-0	WIRE. 180MM 1617#16 WHT
	263-00020-000-6	NEON LAMP NE-2H 6*13 AC250V
	315-00001-000-0	LUG 3D
	321-00000-070-0	CABLE TIE HW-100MM
	379-11121-100-0	M WIRE 120MM 1015#16 GRN+YLW
	379-12116-106-6	M.WIRE 80MM UL1617#16 BLK
	379-12116-166-6	M.WIRE 80MM 1015#16 GRN+YLW
	379-12116-196-6	M.WIRE 80MM UL1617#16 WHT
	380-60022-002-0	W.WITH LUG BLK
	510-60330-414-0	PANEL PPC9000 IEC
	511-60013-505-0	BACK PANEL PPC9000
	516-60002-100-0	TOP COV PPC1100/1200 SECC=1.0
	517-60760-202-0	BOT. COV. PPC8000/8000E/9000/9000E
	525-60010-000-0	FEET SIZE:20*20*8.0MM SF-006
LAMP	540-60080-010-0	R/KNOB D34.5*16 BLK
	540-60260-020-0	R/KNOB BLK
	543-60040-020-0	TUBE FRONT BUSHING
	543-60050-020-0	REAR BUSHING
	551-60013-100-0	LEFT BRACKET PPC1100/1200
	551-60016-000-0	LITTLE BRACKET PPC1100/1200 SECC
	551-60016-002-0	LAMP BRACKET PPC8000
	551-60019-100-0	RIGHT BRACKET PPC1100/1200
	552-60002-400-0	TOP/BOT BOARD FIXED
	560-60047-301-0	CARTON PPC8000E SIZE:585*436*267 A=B
	561-60040-501-0	G/B PPC8000E SIZE:570*104*247 300g+B9B9
	566-60018-010-0	SPONGE SIZE: 80*10*1.0 EVA
	566-60021-020-0	45*20*11 FIREPROOF COTTON
	567-60020-000-0	EPE PCR2213
	568-00003-000-0	#10 240*340*0.05

Ref.	Phonic Part No.	Specifications
	568-20004-001-0	PE BAG 650*300*0.05MM
	568-60057-000-0	100*70MM
	572-00000-050-0	PE BAG 650*300*0.05MM
	573-10124-010-0	GND LABEL MAR2
	573-60240-000-0	BAR CODE LABEL PHONIC
	573-60343-000-0	LABEL BLUE D=8mm
	574-90120-110-0	OWN. MANU. PPC8000
	615-60017-620-0	PLA.BOSS PPC1100/1200
	630-20047-410-0	MYLAR INSU 63*35*0.5MM
	630-60021-420-0	MYLAR INSU 60*50*1.0
	630-60021-430-0	MYLAR INSU 120*2*0.6MM
	631-20029-000-0	HEMELON 10*10

MAIN PCB-PART LIST

Ref.	Phonic Part No.	Specifications
R3	003-12002-601-6	CEMENT RES 120 J 3W AL
SVR2	020-10231-000-0	R/VR 1K 0.25W
SVR1	020-10331-000-6	T/VR 10K 0.5W
C4.5	030-10736-0A0-0	E/C 100MF M 25V 8*11 T
C6	030-47626-0A0-0	E/C 47MF M 16V 5*11 T
C3	030-47748-0A0-0	E/C 470MF 35V 10*21
C7	050-12545-220-0	MM/C 1.2UF 400V
D1-4	090-00003-000-0	DIODE 1N4007 SILITEK
D5-8	090-01103-100-0	Z/DIODE 10V 1W PPC9000/E
LED1-8.19.20	100-00010-040-0	LED H4120 RED
LED9.10	100-00040-040-0	LED Y4120 YLW
LED11-18	100-00050-050-0	LED G4120 GRN
IC1	121-00006-100-0	TRP MJE350 SOT-93-D (ON)
U1	160-00000-902-0	IC NJM 4558DD JRC
IC2-6	160-00006-210-0	IC LM339 SOP-M REEL (ST/NS)
R6.7.9.10.11.69	006-10020-440-0	MF RES 10K F 1/8W T
R17-35	006-12000-440-0	MF RES. 120 F 0.0625W
R5	006-15032-440-0	MF RES. 150K F 0.25W T
R4	006-18032-440-0	MF RES. 180K F 0.25W T
R65-68	006-51000-440-0	MF RES. 510 F 0.0625W T
R8	006-51010-440-0	MF RES. 5.1K J 0.0625W T
R12	006-62010-440-0	MF RES. 6.2K F 1/8W T
R36	006-73310-440-0	MF RE. 7.33K F 0.0625W T
R61-64	006-82070-440-0	MF RES. 82 F 0.0625W T
D12.13.16.17	090-02000-020-0	DIODE 1N4148
	290-61210-100-0	PPC9000 DISPLAY PCB

PHONIC
WWW.PHONIC.COM