

POWERED MIXER

POWERPOD 408

SERVICE MANUAL



POWERED MIXER

POWERPOD 408

SERVICE MANUAL

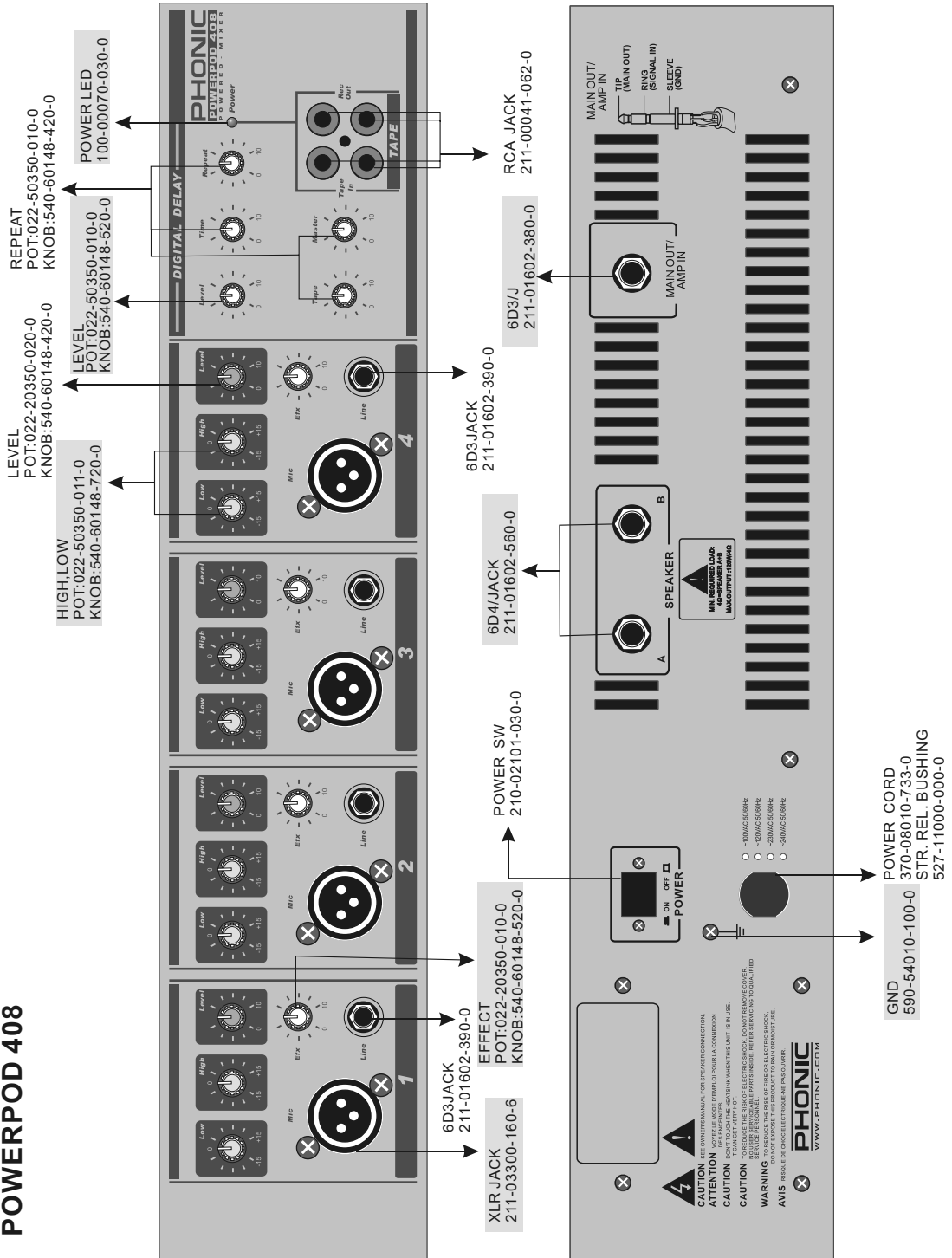
CONTENTS

PANEL LAYOUT.....	3
SYSTEM BLOCK DIAGRAM.....	4
PCB	
CHANNEL & MASTER PCB - COMPONENT SIDE.....	5
CHANNEL & MASTER PCB - SOLDERING SIDE.....	6
EFFECT PROCESSOR PCB.....	7
POWER AMPLIFIER & POWER SWITCH & OUTPUT & POWER SUPPLY PCB.....	8
SCHEMATIC	
CHANNEL 1~2 SCHEMATIC.....	9
CHANNEL 3~4 SCHEMATIC.....	10
MASTER & EFFECT PROCESSOR SCHEMATICS.....	11
POWER AMPLIFIER & OUTPUT & POWER SUPPLY SCHEMATICS.....	12
PART LIST	
CHANNEL & MASTER PCB-PART LIST.....	13
POWER AMPLIFIER & POWER SWITCH & EFFECT PROCESSOR & POWER SUPPLY PCB-PART LIST.....	16
MISCELLANEOUS ITEMS.....	20
POWER REQUIREMENT CLASSIFICATION.....	22
DIMENSIONS.....	23
EXPLODED VIEW.....	24

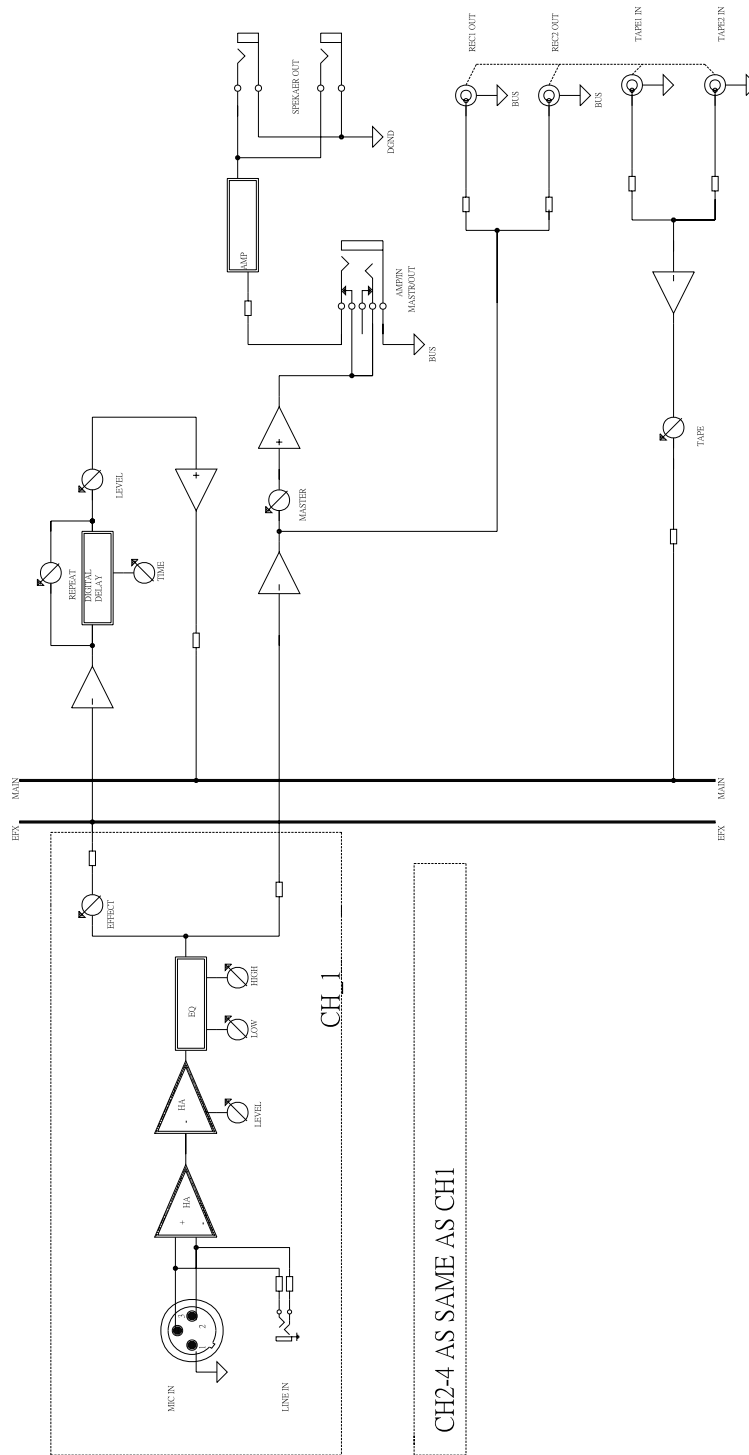
Phonic reserves the right to improve or alter any information supplied within this document without prior notice.

V2.1
09/11/02

POWERPOD 408

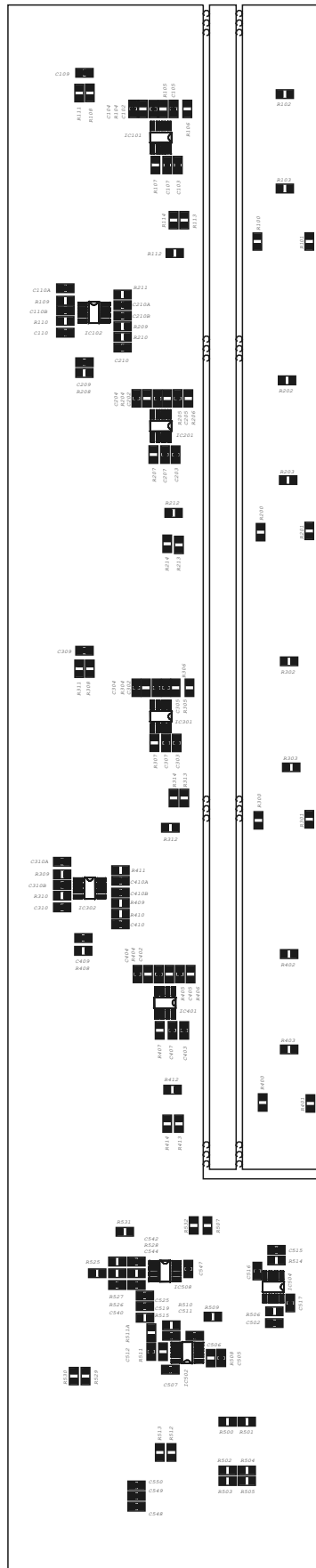


SYSTEM BLOCK DIAGRAM

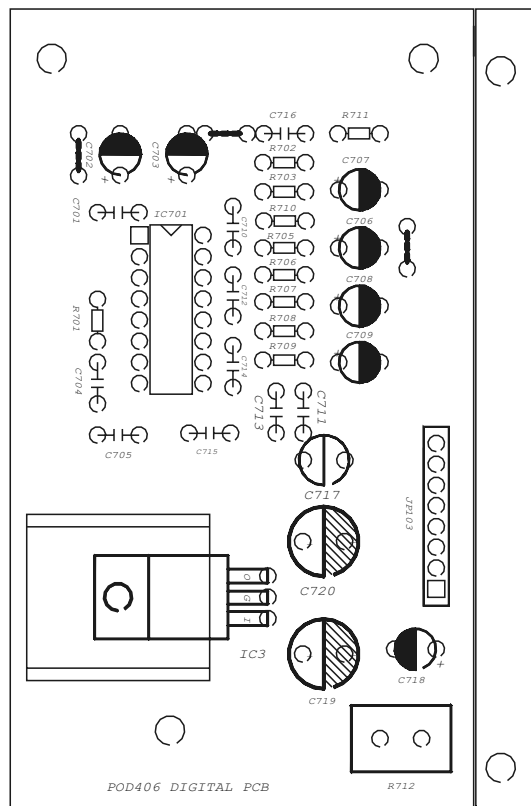


CH2-4 AS SAME AS CH1

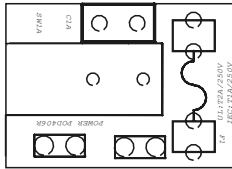
CHANNEL & MASTER PCB - SOLDERING SIDE



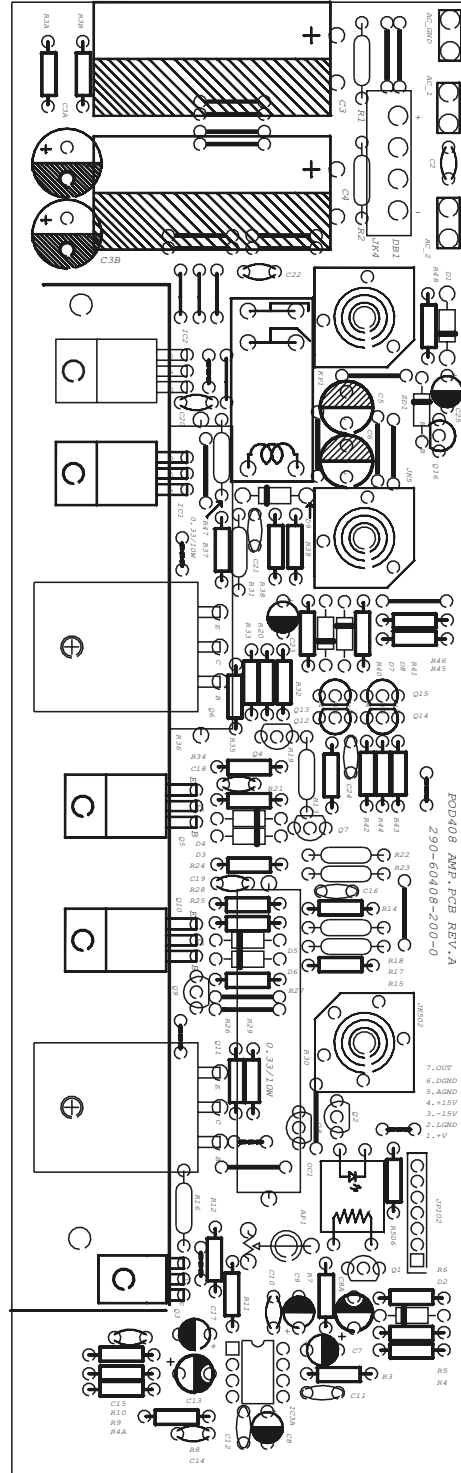
EFFECT PROCESSOR PCB



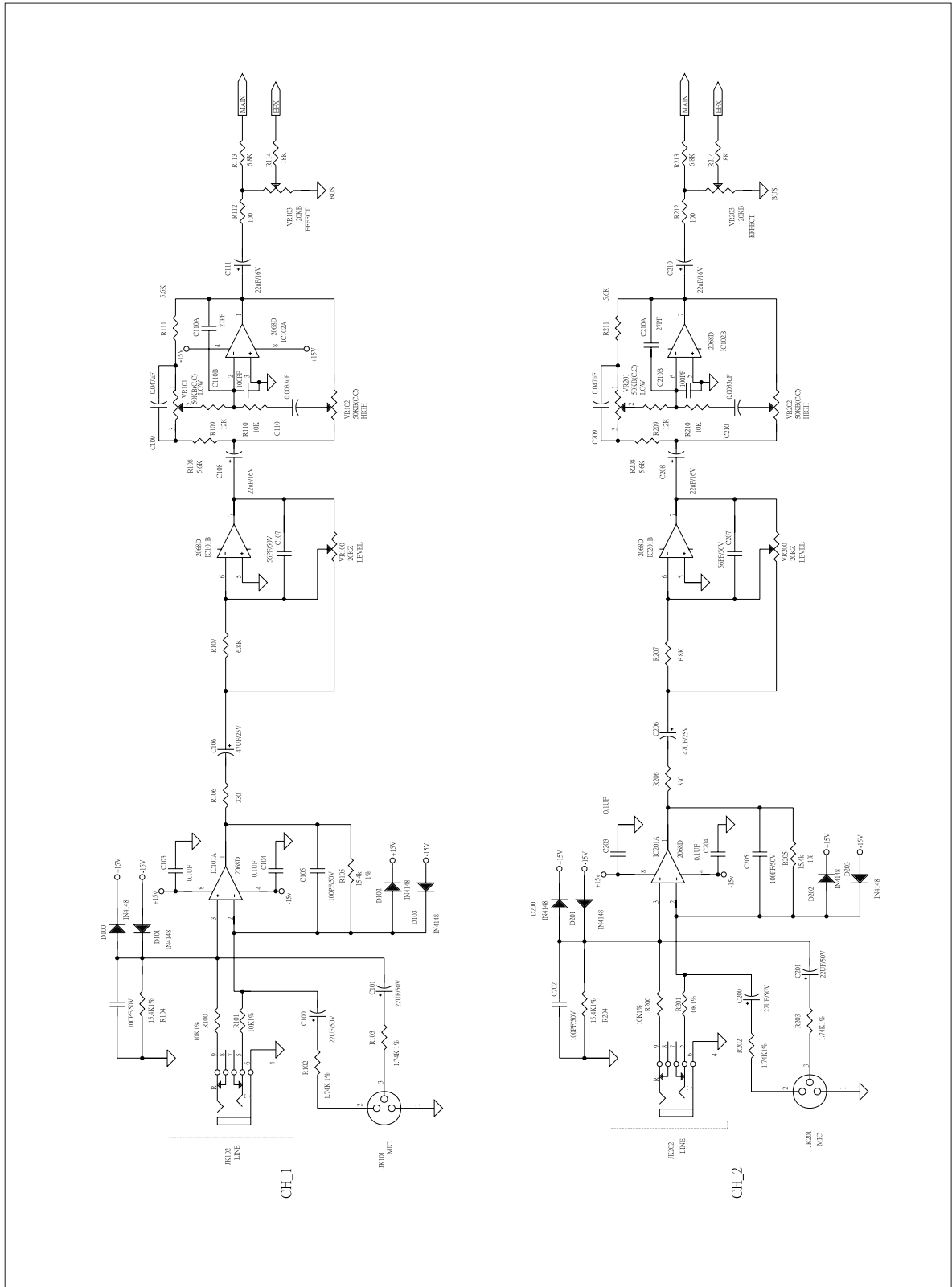
POWER AMPLIFIER & POWER SWITCH & OUTPUT & POWER SUPPLY PCB



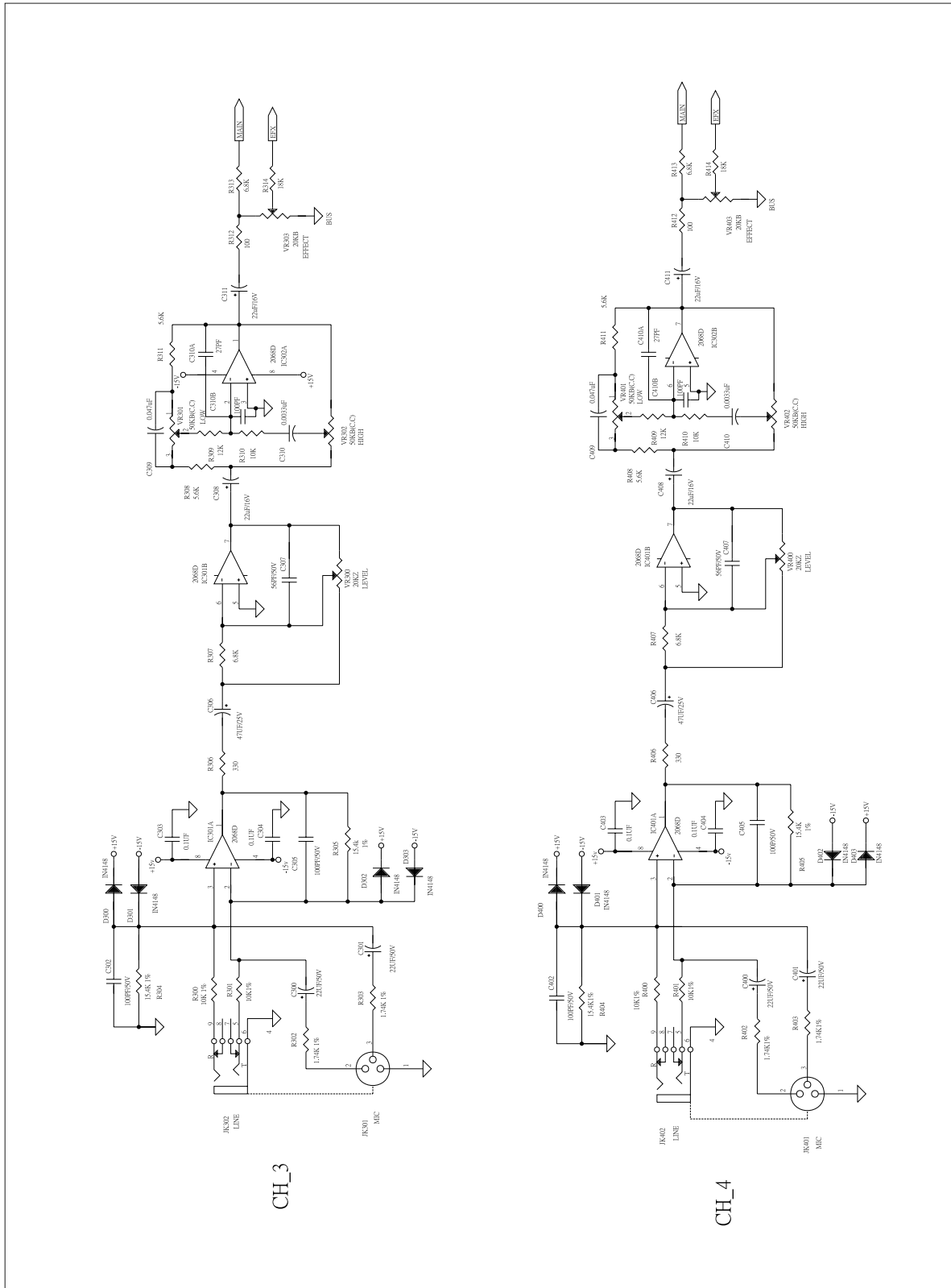
POWER SWITCH PCB



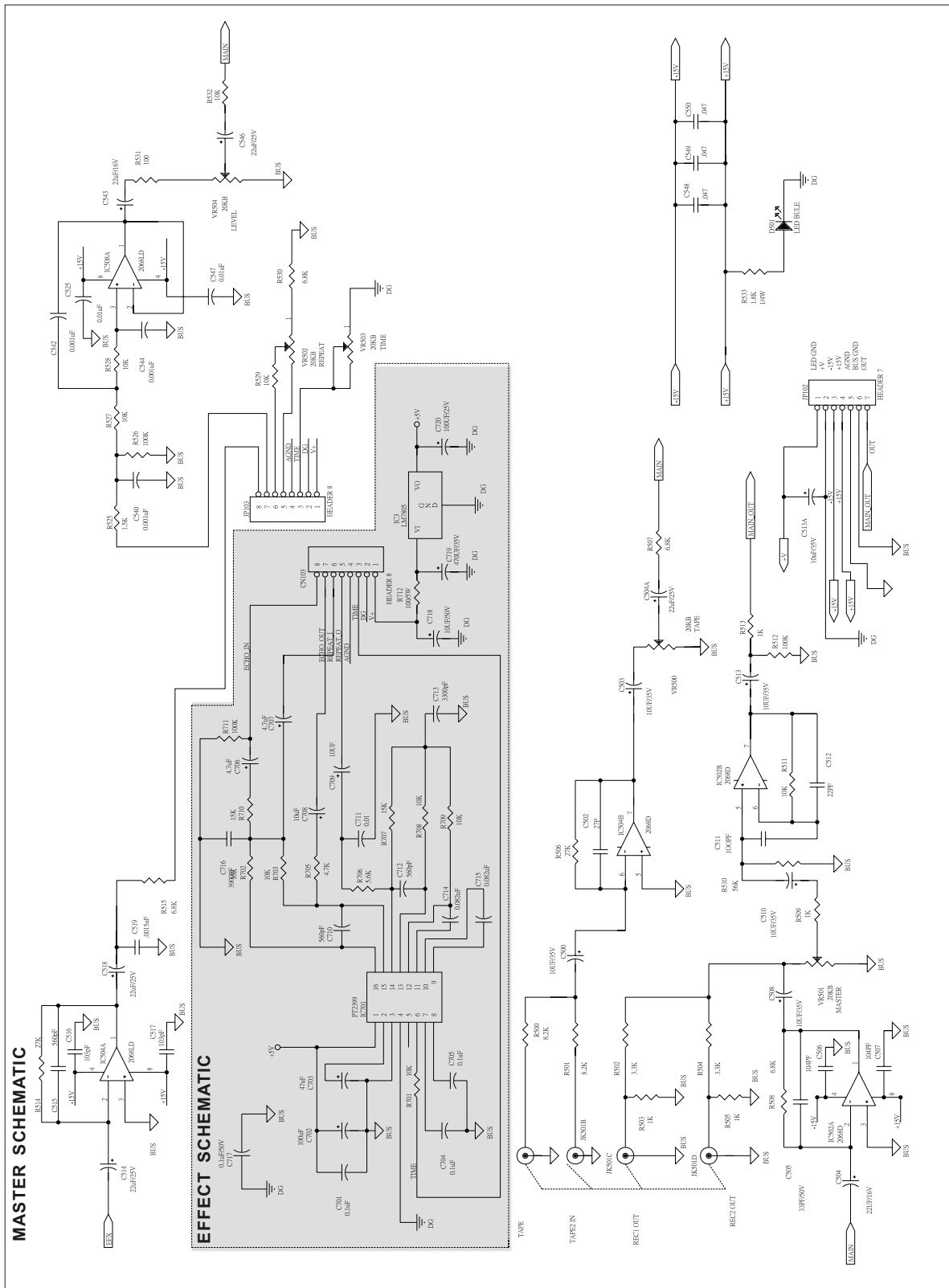
CHANNEL 1~2 SCHEMATIC



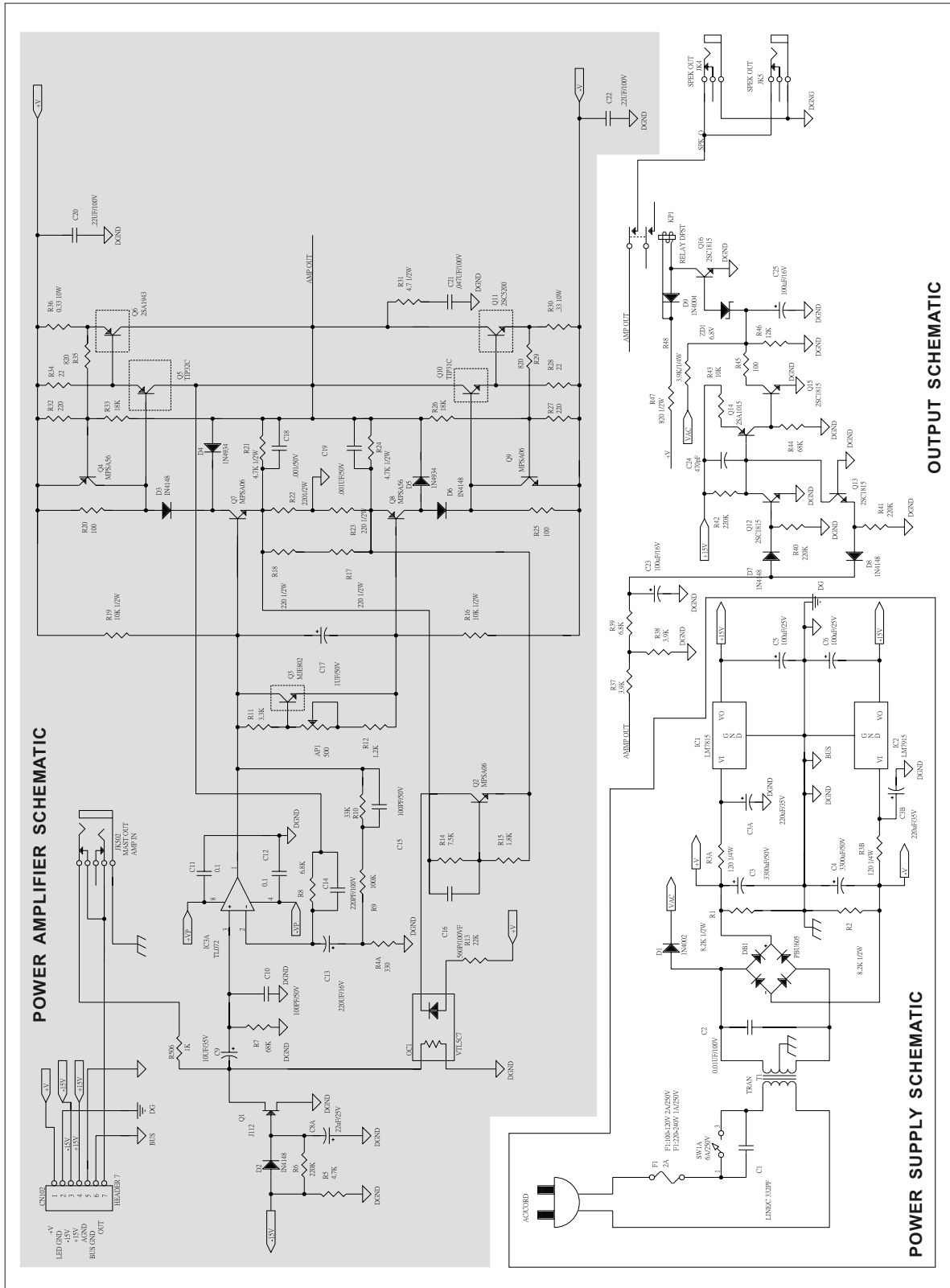
CHANNEL 3~4 SCHEMATIC



MASTER & EFFECT PROCESSOR SCHEMATICS



POWER AMPLIFIER & OUTPUT & POWER SUPPLY SCHEMATICS



CHANNEL & MASTER PCB-PART LIST

Ref.	Phonic	Specifications
	615-60004-620-0	LED BOSS L=13 LEDS=13
	290-60408-100-0	POD408 CH+MAST PCB
C.516.517.547.525	039-10324-220-0	CHIP C/C 0.01MF J 50V 0603
C100.101.200.201.300.3	030-22658-0A0-0	E/C 22MF Z 50V 6*11 T
01.400.401		
C102.105.202.205.302.3	039-10124-220-0	CHIP C/C 100PF J 50V 0603
05.402.405.110B.210B.3		
10B.410B.511		
C103.104.203.204.303.3	039-10405-220-0	CHIP C/C 0.1UF K 16V 0603
04.403.404.506.507		
C106.206.306.406	030-47638-0A0-0	E/C 47MF Z 25V 6.3*11 T
C107.207.307.407	039-56024-220-0	CHIP C/C 56PF J 50V 0603
C108.111.208.211.308.31	030-22628-0A0-0	E/C 22MF Z 16V 5*11 T
1.408.411		
C109.209.309.409.548.5	039-47325-220-0	CHIP C/C 0.047MF K 50V 0603
49.550		
C110.210.310.410	039-33225-220-0	CHIP C/C 0.0033MF K 50V 0603 10%
C110A.210A.310A.410A.	039-27024-220-0	CHIP C/C 27PF J 50V 0603
502		
C500.503.504.508.510.5	030-10646-0A0-0	E/C 10MF 35V T 5*11
13		
C505	039-33024-220-0	CHIP C/C 33PF J 50V 0603
C512	039-22024-200-0	CHIP C/C 22PF J 50V 0603
C513A	035-10646-0A0-0	MINI E/C 10UF 35V M 5*7MM
C514.518.543.546.504A	030-22638-0A0-0	E/C 22MF Z 25V 5*11 T
C515	039-56124-220-0	CHIP C/C 560P J 50V 0603
C519	039-15224-220-0	CHIP C/C 0.0015MF J 50V 0603
C540.542.544	039-10224-220-0	CHIP C/C 0.001MF J 50V 0603
CN102	211-10071-080-0	7P WAFER/S 2532-07 90DEGREE
CN103	211-09081-020-0	8P B.E/S
CN104.204.304.404	211-10031-171-0	3P WAFER/S TJC3-3A PH=2.5MM
		180DEGREE
D100.101.102.103.200.2	090-02000-020-0	DIODE 1N4148 T
01.202.203.300.301.302.		
303.400.401.402.403		

CHANNEL & MASTER PCB-PART LIST

Ref.	Phonic	Specifications
D501	100-00070-030-0	LED 204UBD D3 BLUE
IC101.102.201.301.302.4 01.502.504.508	160-00021-300-0	IC NJM2068 SMD JRC
JK101.201.301.401	211-03300-160-6	XLR/J SKCA229-1K3F2
JK102.202.302.402	211-01602-390-0	6D3/J JY-6351-02-030 SCJ-0658
JK501	211-00041-062-0	RCA/JACK
JK501*4	610-00301-516-0	FIBER WAS. D3.0*D8.0*1.5 RED
JP104.204.304.404	212-10031-050-6	3P WAFER/P 150mm GRY UL2547#28 PH=2.5MM
R100.101.200.201.300.3 01.400.401	008-10022-400-0	CHIP RES. 10K F 0603
R102.103.202.203.302.3 03.402.403	008-17412-400-0	CHIP RES. 1.74K F 0603
R104.204.304.404.105.2 05.305.405	008-15422-400-0	CHIP RES. 15K4 F 0603
R106.206.306.406	008-03312-600-0	CHIP RES. 330 J 0603
R108.111.208.211.308.31 1.408.411	008-05622-600-0	CHIP RES. 5.6K J 0603
R109.209.309.409	008-01232-600-0	CHIP RES. 12K J 0603
R110.210.310.410.511.52 7.528.529.532	008-01032-600-0	CHIP RES. 10K J 0603
R112.212.312.412.531	008-01012-600-0	CHIP RES. 100 J 0603
R113.213.313.413.507.5 08.107.207.307.407.530. 515	008-06822-600-0	CHIP RES. 6K8 J 0603
R114.214.314.414	008-01832-600-0	CHIP RES. 18K J 0603
R500.501	008-08222-600-0	CHIP RES. 8.2K J 0603
R502.504	008-03322-600-0	CHIP RES. 3.3K J 0603
R503.505.509.513	008-01022-600-0	CHIP RES. 1K J 0603
R506.514	008-02732-600-0	CHIP RES. 27K J 0603
R510	008-05632-600-0	CHIP RES. 56K J 0603
R512.526	008-01042-600-0	CHIP RES. 100K J 0603
R525	008-01522-600-0	CHIP RES. 1.5K J 0603
R533	000-18226-400-0	CF RES. 1K8 J 0.25W T
VR100.200.300.400	022-20350-020-0	S.ROT/VR 20KZ 30MMP

CHANNEL & MASTER PCB-PART LIST

Ref.	Phonic	Specifications
VR101.102.201.202.301. 302.401.402	022-50350-011-0	S.ROT/VR 50KB(C.C)L=30MM
VR103.203.303.403.500. 501.502.503.504	022-20350-010-0	S.ROT/VR 20KB 30MM P

POWER AMPLIFIER & POWER SWITCH & EFFECT PROCESSOR & POWER SUPPLY PCB-PART LIST

Ref.	Phonic	Specifications
	281-00000-020-0	FUSE CLIP FH-1206
	526-60037-011-0	HEAT SINK SIZE:235*24*25
	526-60038-011-0	HEAT SINK SIZE:235*60*70
	526-60040-011-0	HEAT SINK SIZE:252*71*33.3
	290-60408-200-0	POD408 POWER AMP+DIGITAL PCB
	W01-40015-410-0	POWERPOD408
	524-70001-020-7	HANDLE 210mm
	525-70000-010-7	FEET D25*D20*16T BLK POD408
	552-70000-200-7	FIXED
	600-70001-000-7	NUT M5 WHT
	637-70000-000-7	BOX CONTER
	700-01800-000-7	PLANKING 4*8*18MM
	710-70000-000-7	GLUE PT-3670
	710-70001-010-7	GLUE 15kg/BARREL
	711-73000-000-7	NAIL F30
330*1190	636-70007-101-7	VINYL 2*50m BLK
AC1.2.AC-GND	315-00017-000-0	GND LUG PC250
AP1	020-47138-000-6	T/VR 470J T-085C-B470 0.5W
C10.15	040-10124-160-6	ML/C 100PF J 50V P=5MM T
C11.12	040-10428-140-0	ML/C 0.1UF Z 50V 5 T
C13	030-22728-0A0-0	E/C 220MF Z 16V 8*11 T
C14	040-22134-100-6	ML/C 220PF 100V J P 5T
C16	040-56134-100-6	ML/C 560PF 100V J P 5T
C17	030-10556-0A0-0	E/C 1MF M 50V 5*11 T
C18.19	040-10225-160-6	ML/C 0.001UF K 50V 5P T
C1A	058-33236-000-6	LINE/C 3300PF M 400V
C2	040-10335-050-6	ML/C 0.01UF/100V 10% X7R AL
C20.22	046-22415-060-6	M/C 0.22UF 100V +/-10% T
C21	046-47315-060-6	M/C 0.047UF/100V K.5.T
C23.25	030-10725-0A0-0	E/C 100MF K 16V T
C24	040-47125-160-6	ML/C 470PF K 50V T
C3.4	030-33856-000-0	E/C 3300UF Z 50V 18*35.5
C3A.3B	030-22748-000-0	E/C 220MF Z 35V 10*15 P
C5.6	030-10748-000-0	E/C 100MF Z 35V 10*12 P
C7.8	030-22736-0A0-0	E/C 220MF M 25V 8*14 T
C701.704.705.717	042-10425-050-0	C/C2 0.1MF K 50V 5 T

POWER AMPLIFIER & POWER SWITCH & EFFECT PROCESSOR & POWER SUPPLY PCB-PART LIST

Ref.	Phonic	Specifications
C702.720	030-10728-0A0-0	E/C 100MF Z 16V 6*11 T
C703	030-47628-0A0-0	E/C 47MF Z 16V 5*11 T
C706.707	030-47528-0A0-0	E/C 4.7MF Z 16V 5*11 T
C708.709.718	030-10648-000-0	E/C 10MF Z 35V 5*11 P
C710.712	042-56124-050-0	C/C2 560PF J 50V 5 T
C711	042-10325-050-0	C/C2 0.01MF K 50V T
C713	042-33225-050-0	C/C2 0.0033MF K 50V 5 T
C714.715	046-82305-060-0	M/C 0.082UF K 50V T
C716	042-39225-050-0	C/C2 0.0039MF Z 50V 5T
C719	030-47748-0A0-0	E/C 470MF 35V 10*21
C9	030-10646-0A0-0	E/C 10MF 35V T 5*11
CN103	211-09081-010-0	8P B.E/S (PIN)
D1	090-00002-001-0	DIODE 1N4002
D3.6.7.8	090-02000-020-0	DIODE 1N4148 T
D4.5	090-02003-020-0	D10DE IN4934 T FAIRCHILD
D8 WASHER FIX FEET	593-44020-200-7	W/O PAN SCR. D4.0*20 BLK
D9	090-00007-020-0	DIODE IN4004 SILTEK T
DB1	090-10013-000-0	B/DIODE PBU605
DIGITAL&HEAT SINK*1 PCB&U/HEAT SINK*2	590-53010-100-0	M/E SET SCR. M3.0*10 NI
FIX BOX CONTER	592-23012-200-0	W/O BID SCR. M3.0*12 BLK
HANDLE	590-25024-200-7	M/E BID SCR. M5*24 BLK
IC/HEAT SINK*5	590-53012-100-0	M/E SET SCR. M3.0*12 NI
IC/HEAT SINK*9 DIGITAL PCB*1	600-00302-210-0	HEX. NUT M3.0*2.2 NI
IC1	160-00005-909-0	IC 7815
IC1.2.3.Q3.5.6.10.11	610-60300-501-0	PAN SPR. WAS D3.0*D7*0.5 NI
IC2	160-00002-909-0	IC 7915
IC201	211-11162-000-6	IC/S 16P P=2.5 10*20MM
IC3	160-00000-000-0	IC TL072CP TI
IC3A	160-00004-114-0	IC UPC7805H NEC (KIA)
IC3A	526-20040-010-0	HEAT.SINK POD1860 20*18
IC701	160-00023-400-0	IC PT2399
JK4.5	211-01602-560-0	6D4/J YLJ-6405-300 (NUT&WASHER)
JK502	211-01602-380-0	6D3/J (SCJ-0658-Y)

POWER AMPLIFIER & POWER SWITCH & EFFECT PROCESSOR & POWER SUPPLY PCB-PART LIST

Ref.	Phonic	Specifications
JP102	212-10071-130-6	7P WAFER/P 456MM UL1007#24
KP1	076-02414-000-0	RELAY 0Z-SS-124LM1
L/HEATSINK&SMALL HEATSINK*5	590-54006-100-0	M/E SET SCR. M4*6 NI
L/HEATSINK HEATSINK*3	590-54010-100-0	M/E SET SCR. M4*10 NI
OC1	010-00000-000-6	LDR VTL5C7
PANEL PCB&IC*10	610-00300-518-0	FIBER WAS. D3*D7*0.5 RED
Q10	120-00000-150-6	TRAN TIP31C (NPN)
Q11	120-00008-600-0	TRAN 2SC5200-O TOSHIBA
Q12.13.15.16	120-00000-800-0	TRAN. 2SC1815 GR TOSHIBA
Q14	121-00000-200-0	TRAN. 2SA1015 GR TOSHIBA
Q2.7.9	120-00007-300-0	TR. AF NPN MPSA06
Q3	120-00008-800-0	TRAN MJE802 MOTOROLA
Q3.5.10.IC1.2	313-00000-000-0	TRANSISTOR WASHER TO-220
Q3.6.11	610-00300-501-0	PLA. WAS. D3.0*D7.0*0.5 NI
Q4.8	121-00000-410-6	TRAN MPSA56 PNP
Q5	121-00000-150-6	TRAN TIP32C PNP
Q5.10.IC1.2	314-00000-050-0	BUSHES 602S(V.0) 180DEGREE
Q6	121-00006-000-0	TRAN 2SA1943-O TOSHIBA
Q6&Q11*2	590-43014-100-0	M/E PAN SCR M3.0*14 NI
R1.2	000-82236-400-0	CF RES.8.2K 1/2W
R10	000-33326-400-0	CF RES. 33K J 0.25W T
R11	000-33226-400-0	CF RES. 3K3 J 0.25W T
R12	000-12226-400-0	CF RES. 1K2 J 0.25W T
R13	000-22326-400-0	CF RES. 22K J 0.25W T
R14	000-75226-400-0	CF RES. 7K5 J 0.25W T
R15	000-18226-400-0	CF RES. 1K8 J 0.25W T
R16.19	000-10336-400-0	CF RES.10K J 0.5W T
R17.18.22.23.47	000-22136-400-0	CF RES 220 1/2W
R20.25.45	000-10126-400-0	CF RES. 100 J 0.25W T
R21.24	000-47236-400-0	CF RES 4.7K 1/2W
R26.33	000-18326-400-0	CF RES. 18K J 0.25W T
R27.32	000-22126-400-0	CF RES. 220 J 0.25W T
R29.35	000-82126-400-0	CF RES. 820 J 0.25W T
R3.4.28.34	000-22026-400-0	CF RES. 22 J 0.25W T
R30.36	003-33095-601-0	CEMENT RES. 0.33 J 10W AL

POWER AMPLIFIER & POWER SWITCH & EFFECT PROCESSOR & POWER SUPPLY PCB-PART LIST

Ref.	Phonic	Specifications
R31	000-47736-400-0	CF RES. 4.7 1/2W T
R37.38.48	000-39226-400-0	CF RES. 3K9 J 0.25W T
R3A.3B	000-12126-400-0	CF RES. 120 J 0.25W T
R40.41.42	000-22426-400-0	CF RES. 220K J 0.25W T
R43	000-10326-400-0	CF RES. 10K J 0.25W T
R46	000-12326-400-0	CF RES. 12K J 0.25W T
R4A	000-33126-400-0	CF RES. 330 J 0.25W T
R506	000-10206-400-0	CF RES. 1K J 0.0625W T
R7.44	000-68326-400-0	CF RES. 68K J 0.25W T
R701.702.703.708.709	000-10306-400-0	CF RES. 10K J 0.0625W T
R705	000-47206-400-0	CF RES 4.7K J 0.0625W T
R706	000-56206-400-0	CF RES. 5K6 J 0.0625W T
R707.710	000-15306-400-0	CF RES. 15K J 0.0625W T
R711	000-10406-400-0	CF RES. 100K J 0.0625W T
R712	003-10003-602-0	CEMENT RES. 100 J 5W
R8.39	000-68226-400-0	CF RES. 6K8 J 0.25W T
R9	000-10426-400-0	CF RES. 100K J 0.25W T
SW1A	210-02101-030-0	PSH/SW PA-03S-A1
ZD1	090-01682-000-0	ZEN/DIODE 6.8V J0.5W UNIZO

MISCELLANEOUS ITEMS

Ref.	Phonic	Specifications
	560-60093-101-0	CARTON SIZE:500*285*400mm
	307-00000-000-0	CORD CONNECTOR HW-C4
	510-60750-201-0	PANEL POD408/PACK408
	518-20200-020-0	FUSE COV FH-IL POWERPOD1860
	542-20150-120-0	P/KNOB 13.5*10.5*10.5H BLK 3*3
	552-20048-420-0	ADHESIVE FIXED FW-5D-3M
	561-60081-210-0	G/B POD408 SIZE:470*265*175
	562-60100-001-0	PULP PANEL PA-4
	562-60202-000-0	L/R PULP PANEL
	566-20053-000-0	GASKET 125*25*3mm UL
	568-00003-000-0	PE BAG #10 240*340*0.05
	572-00000-050-0	DRYER 5g
	573-10124-010-0	GND LABEL MAR2
	573-60240-000-0	BAR CODE LABEL PHONIC SERIES LABEL
	573-60343-000-0	LABEL LEVEL METER LABEL BLUE D=8mm
	574-6A071-310-0	OWN. MANU. POD408
	579-00000-068-0	MINI CATALOG PHONIC SERIES
	618-14180-662-0	SPEC FIXED PIN SR-2 WHT
BACK PANEL&HEAT SINK*2	590-54006-100-0	M/E SET SCR. M4*6 NI
BELOW BOTTOM*1	566-10004-000-0	VR SPONGE 15*15*15
CE-2311	568-10068-000-0	PE BAG 700*430*0.05
CE-2445	562-60203-001-0	BOTTOM PULP PANEL SIZE:456*240mm POD408
CHASSIS&HEAT SINK*2 PCB*1 CE-3273	590-53008-100-0	M/E SET SCR. M3.0*8 NI
DIGITAL&HEAT SINK*1 U/HEAT SINK&PCB*2	321-00000-070-0	CABLE TIE HW-100MM
EFFECT*4 LEVEL*1 TAPE*1	540-60148-520-0	R/KNOB 12.0 430C(GREY)BODY+WHT CAP
EHCO PCB&MASTER PCB*3	615-60050-620-0	BOSS H=12.7MM
FIXED MIC/J*8	591-03008-100-0	T/P FLT SCR. D3.0*8 NI
FIXED POWER/SW*2	590-43006-100-0	M/E PAN SCR. M3.0*6 NI

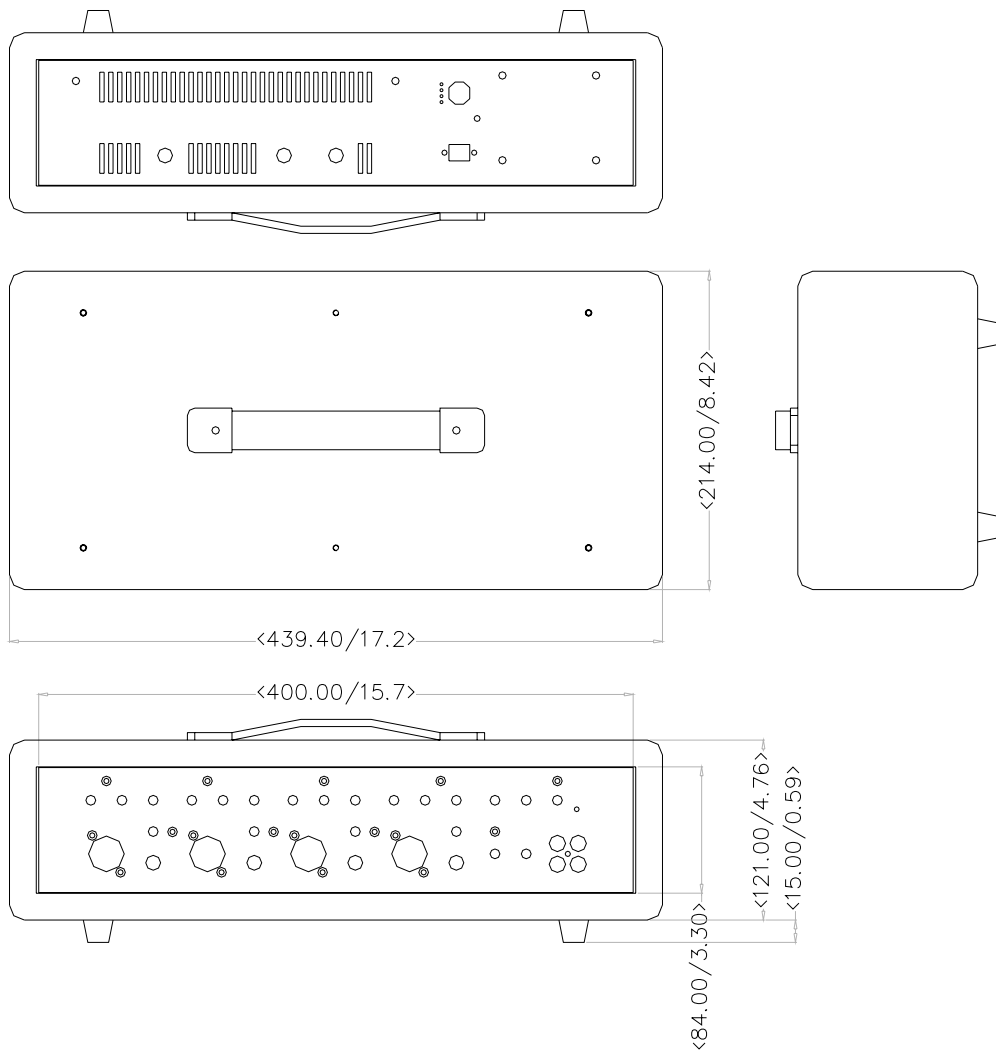
MISCELLANEOUS ITEMS

Ref.	Phonic	Specifications
GND	315-00000-000-0	LUG D4 FOR GROUND
GND	610-30400-500-0	TOOTH WAS. D4.0*D8.5*0.5 ZN
GND	610-60401-001-0	PAN SPR. WAS. D4*7.6*1.0 NI
GND/PANEL*1	600-00403-510-0	HEX. NUT M4.0*3.5 NI
JK4.5.502.102.202.302.4 02	610-20901-001-0	TOOTH WAS D9*12*1 NI
LED*1	631-20029-000-0	HEMELON 10*10
LEVEL*4	540-60148-420-0	R/KNOB 12 WHT BODY+430C(GREY) CAP
LOW/GIHIT*8	540-60148-720-0	R/KNOB 12 430C(GEY)BODY+647C(BLU)CAP
MASTER*1 TIME*1 REP FAT*1	540-60148-620-0	R/KNOB 12 430C(GEY)BODY+491C(RED)CAP
PAD O WOOD&PANEL*4	610-80602-005-0	WAS D6*16*2
PANEL PCB*9 PANEL PCB&DIGITAL PCB*6.	590-53006-100-0	M/E SET SCR. M3.0*6 NI
PANEL PCB*9 PANEL&DIGITAL PCB*5	610-00300-518-0	FIBER WAS. D3*D7*0.5 RED
PANEL&PCB*9	590-03008-100-0	M/E FLT SCR. M3.0*8 NI
PCB/PANEL*1	615-60023-630-0	BOSS L=16MM M3.0
PCB/PANEL*2	615-20023-630-0	BOSS 15+5
PCB/PANEL*8	615-20088-620-0	SPACER SUPPORT H-16
RF/BOSS*1	610-60301-006-0	SPR .WAS. D3*D5*1 NI
CHASSIS&HEATSINK*2		
TAPE/BACK*1	591-43008-100-0	T/P PAN SCR. M3*8 NI
WOOD CASE/PANEL*4	590-54030-200-0	M/E SET SCR. M4.0*30 BLK
X'MER*4 GND*1	590-54010-100-0	M/E SET SCR. M4*10 NI
X'MER/PANEL*4	600-20402-000-0	NUT M4.0*2.0 ZN L14*W10
	S01-40000-000-0	POD408 MATERAL
	510-60750-201-F	PANEL POD408

POWER REQUIREMENT CLASSIFICATION

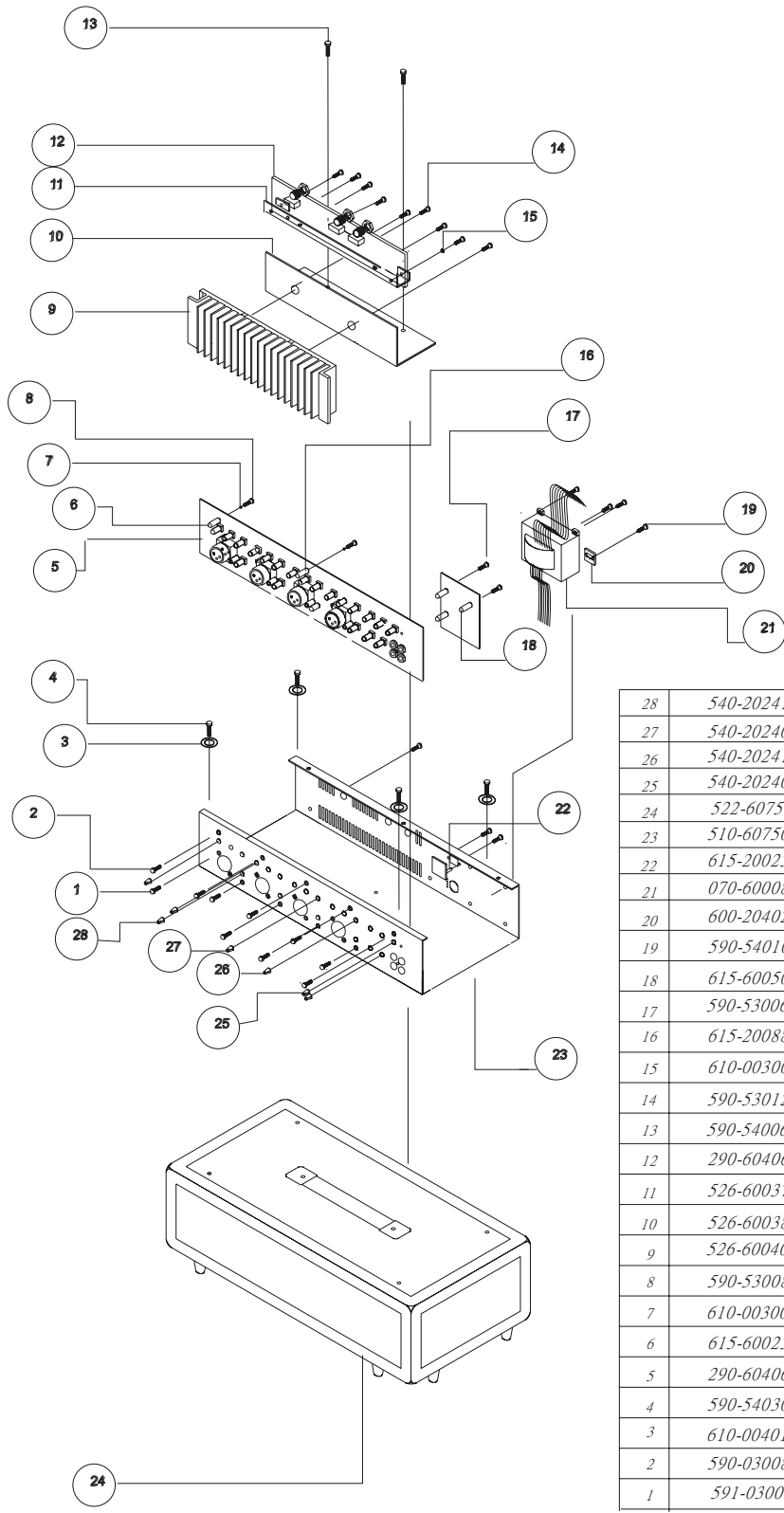
Ref.	Phonic	Specifications
<u>AC230V BS</u>		
	070-60008-300-0	X/MER 115V/230V
	280-10265-000-0	FUSE T 1A 250V SMK IEC/VDE
	370-26B40-439-1	P/CORD 230V 13A 2m5 BS 3P
	527-11000-000-0	STR.REL BUSHING 6W3-4 R (6N3-4)
	573-10032-010-0	POWER LABEL (ONLY USED IN BS)
	573-60037-000-0	CE LABEL D12MM
<u>AC230 IEC</u>		
	070-60008-300-0	X/MER 115V/230V
F1	280-10265-000-0	FUSE T 1A 250V SMK IEC/VDE
	370-23610-902-0	P/CORD 230V 15A 2.5M 3P
	527-11000-000-0	STR.REL BUSHING 6W3-4 R (6N3-4)
	573-60037-000-0	CE LABEL D12MM
<u>AC240V SA</u>		
	070-60008-300-0	X/MER 115V/230V
	280-10265-000-0	FUSE T 1A 250V SMK IEC/VDE
	370-15020-829-0	P/CORD 15A/250V 1.0MM*3 6F 3P
	527-11000-000-0	STR.REL BUSHING 6W3-4 R (6N3-4)
	573-60037-000-0	CE LABEL D12MM
<u>SAA</u>		
	070-60008-300-0	X/MER 115V/230V
	280-10265-000-0	FUSE T 1A 250V SMK IEC/VDE
	370-11310-809-0	P/CORD 240V 7.5A 6F 3P SAA
	527-11000-000-0	STR.REL BUSHING 6W3-4 R (6N3-4)
	573-60037-000-0	CE LABEL D12MM
<u>UL</u>		
	070-60008-300-0	X/MER 115V/230V
FUSE	280-2026B-001-0	FUSE 2A 250V UL/CSA/JIS S
	370-08010-733-0	P/CORD 125V10A 2.5M 1MM/3P UL/CSA
	527-11000-000-0	STR.REL BUSHING 6W3-4 R (6N3-4)

DIMENSIONS



Measurements are shown in mm/ inch.

EXPLODED VIEW



28	540-20241-020-0	r/knob gry+wht	6
27	540-20240-920-0	r/knob gry+blue	8
26	540-20241-120-0	r/knob wht+gry	4
25	540-20240-820-0	r/knob gry+red	3
24	522-60750-000-0	wood	1
23	510-60750-000-0	plan	1
22	615-20023-630-0	BOSS L=15+5	2
21	070-60008-300-0	x'mer	1
20	600-20402-000-0	nut m4x2	4
19	590-54010-200-0	m/e set m4.0x10	5
18	615-60050-620-0	BOSS L=12.7	3
17	590-53006-100-0	m/e set m3.0x6	6
16	615-20088-620-0	BOSS L=16	8
15	610-00300-501-0	pla.was. d3xd7x0.5ni	7
14	590-53012-100-0	m/e set m3.0x12	7
13	590-54006-200-0	m/e set m4.0x6	6
12	290-60406-002-0	amppcb	1
11	526-60037-010-0	HEATSINK	1
10	526-60038-010-0	HEATSINK	1
9	526-60040-010-0	HEATSINK	1
8	590-53008-100-0	FIBER WASM3.0X6	10
7	610-00300-518-0	FIBER WAS	26
6	615-60023-630-0	BOSS BREAST L=16	2
5	290-60406-001-0	channelpcb	1
4	590-54030-200-0	M/E M4.0X30	4
3	610-00401-202-0	d4.0x12x1.0	4
2	590-03008-200-0	M/E SET	9
1	591-03008-200-0	T/P FLT SCR	8

PHONIC
WWW.PHONIC.COM