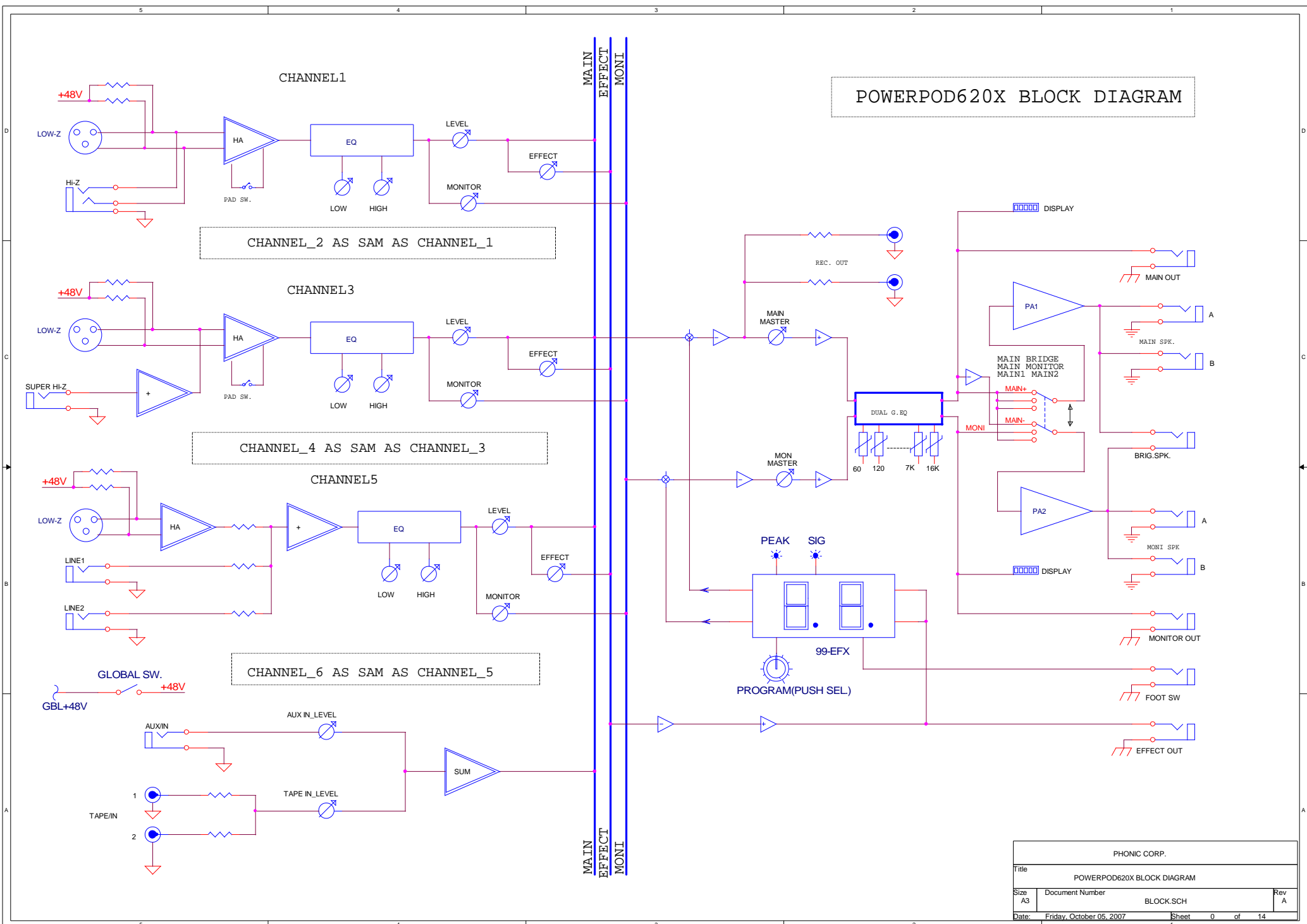
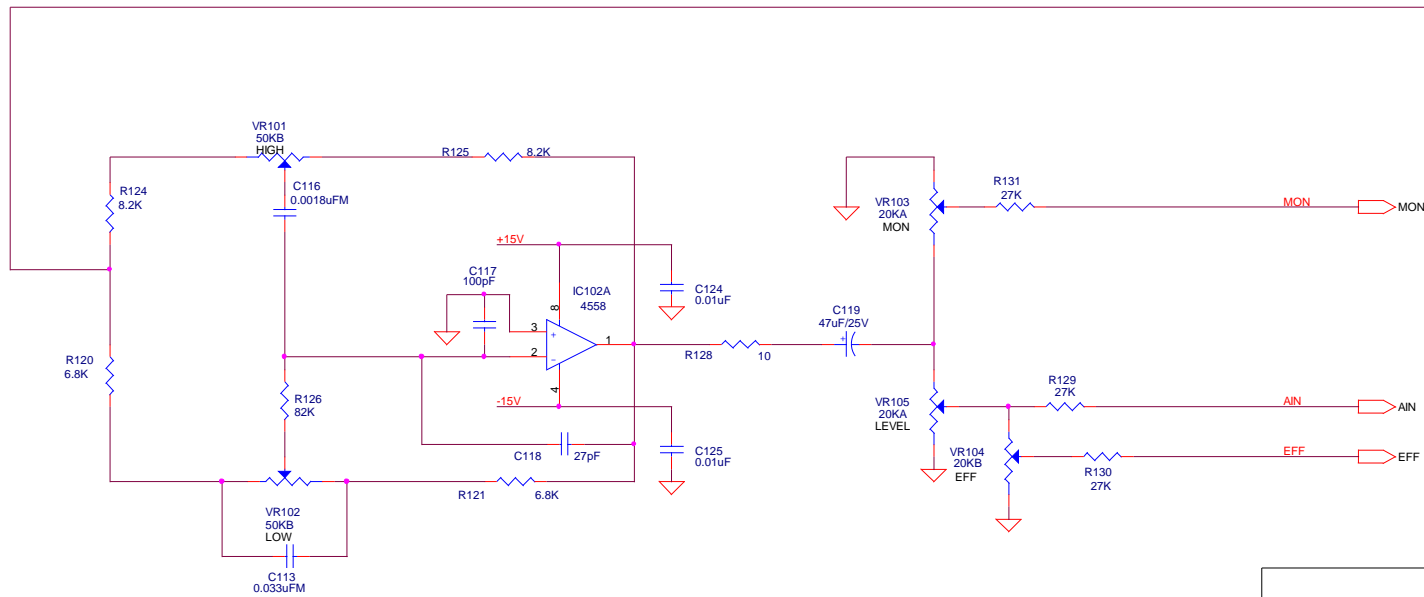
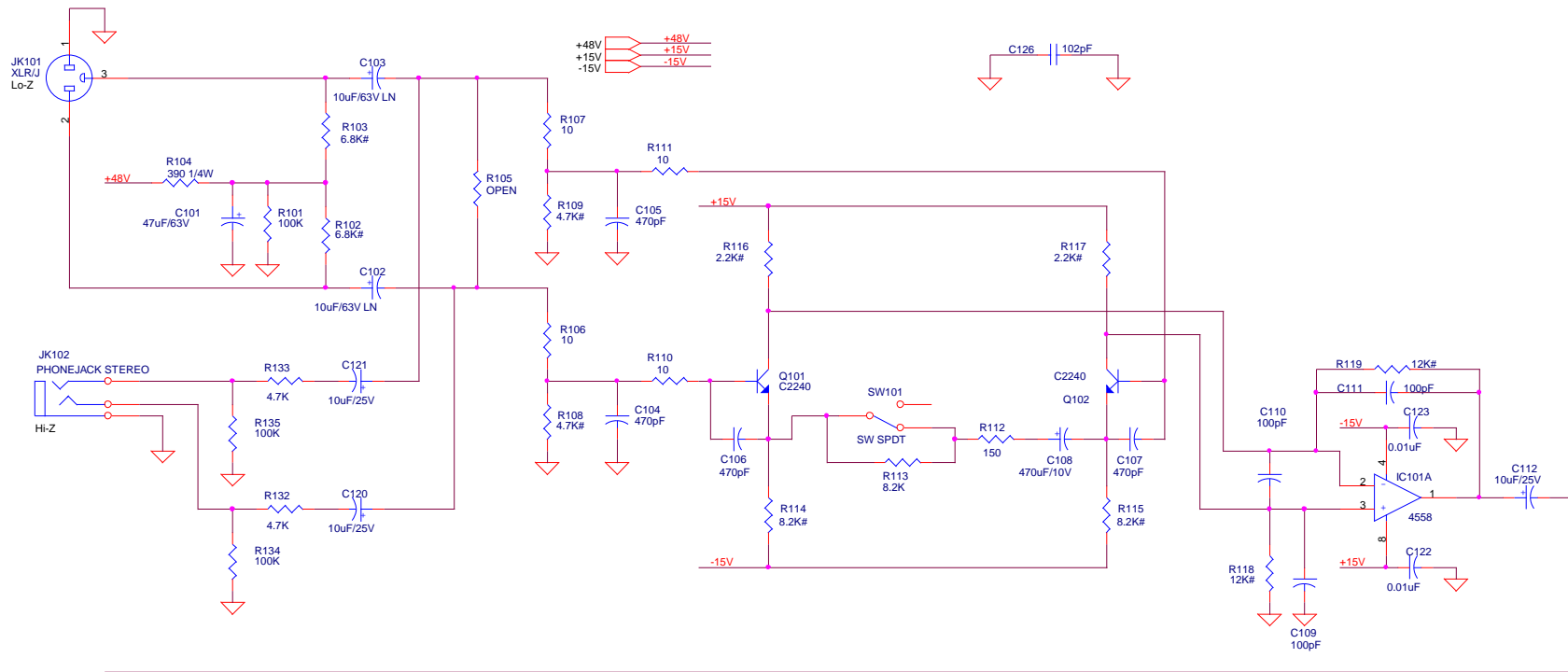


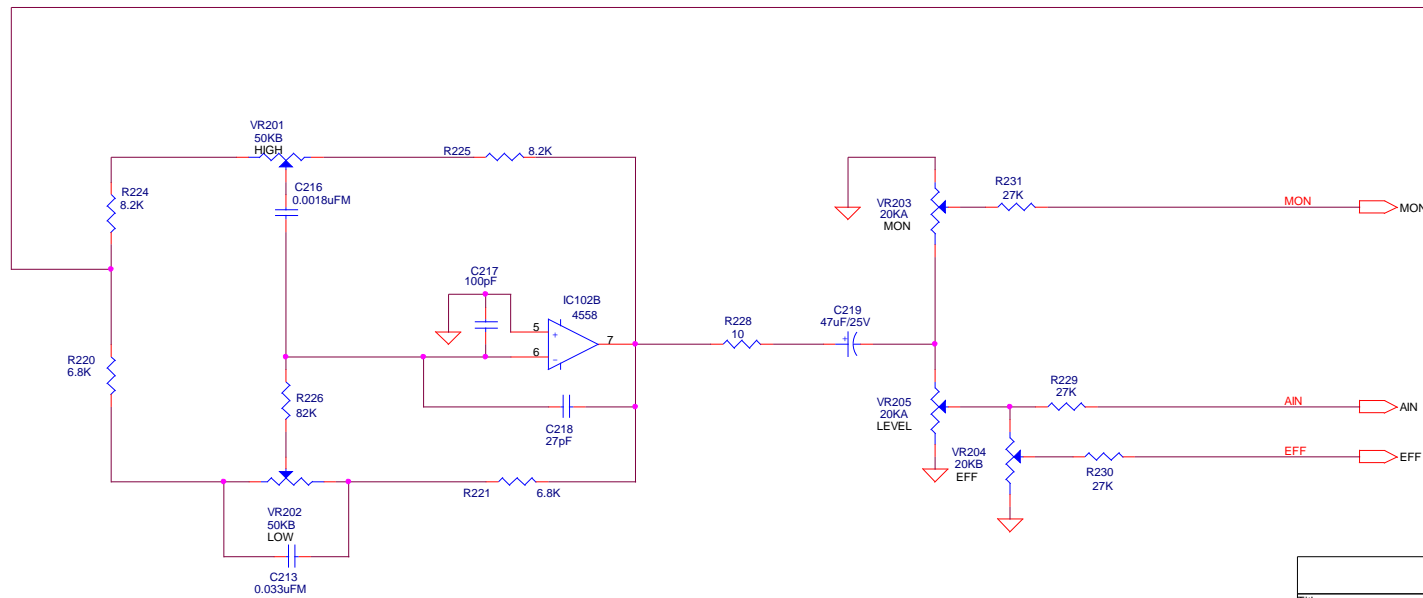
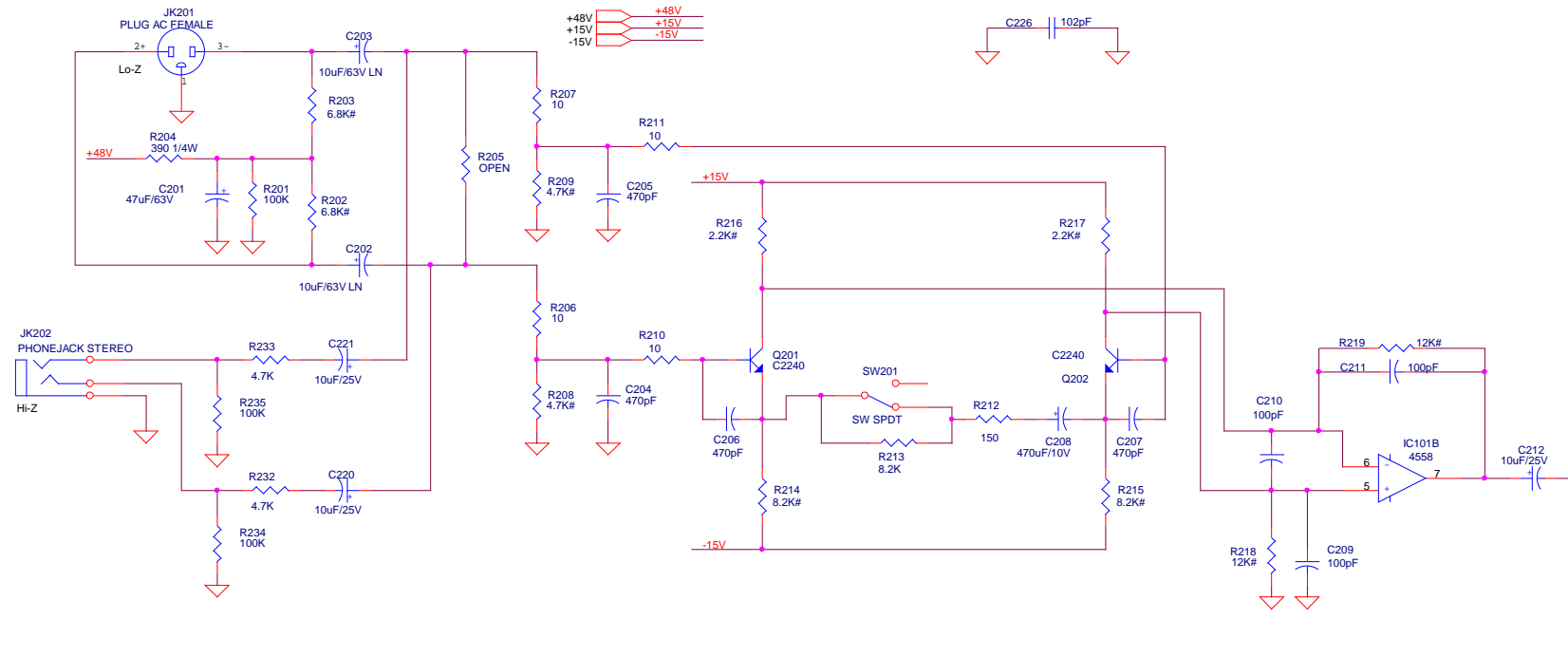
POWERPOD620X BLOCK DIAGRAM



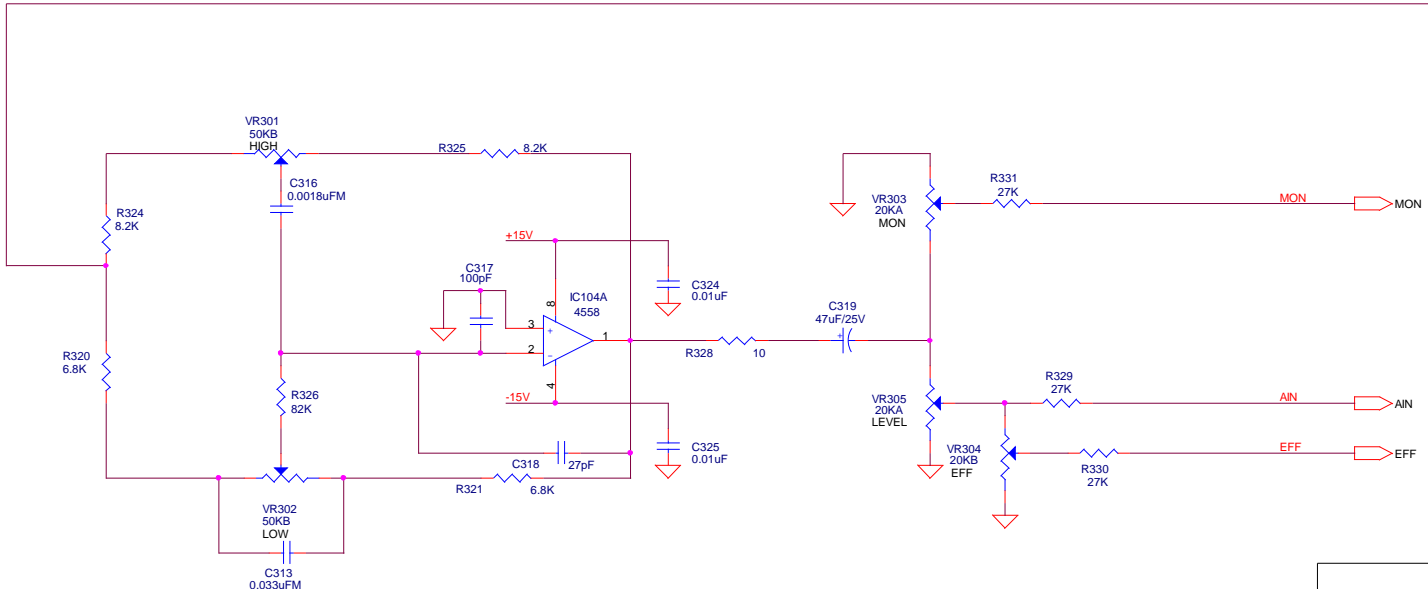
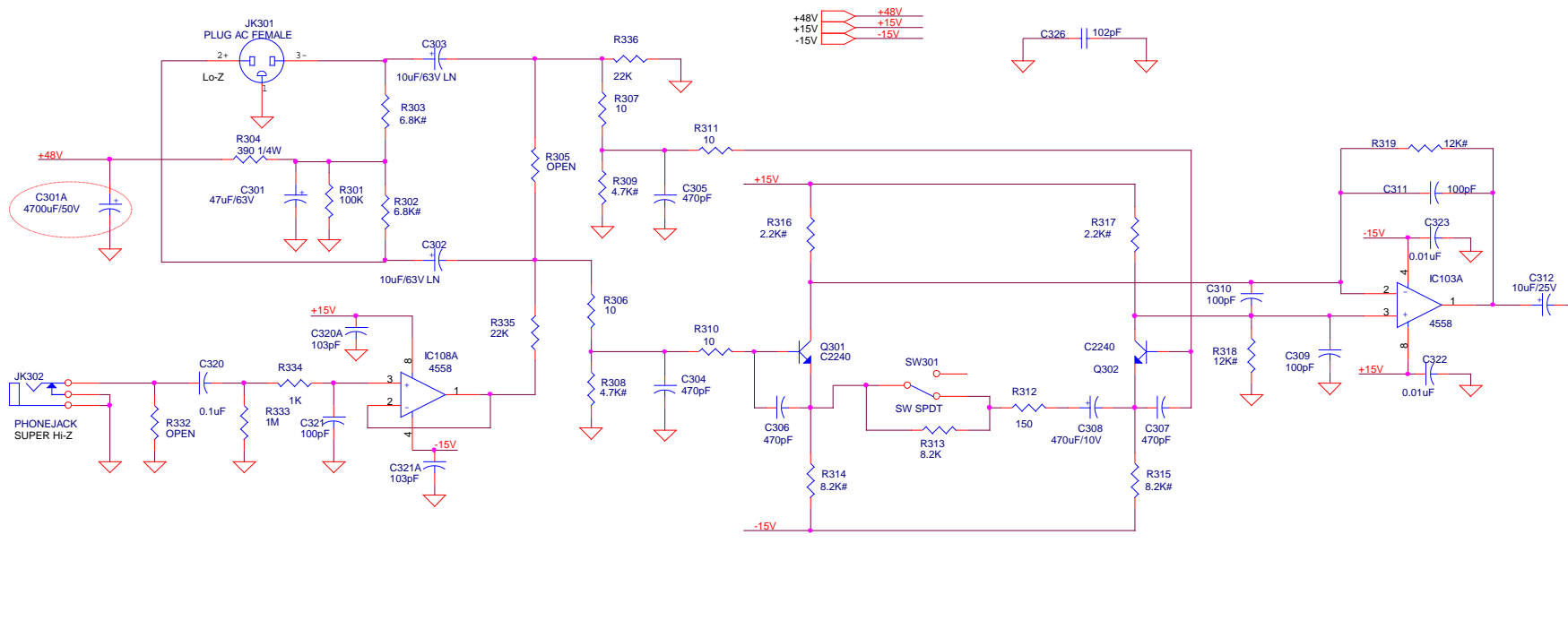
PHONIC CORP.			
Title POWERPOD620X BLOCK DIAGRAM			
Size A3	Document Number BLOCK.SCH	Rev A	
Date: Friday, October 05, 2007	Sheet 0	of 14	



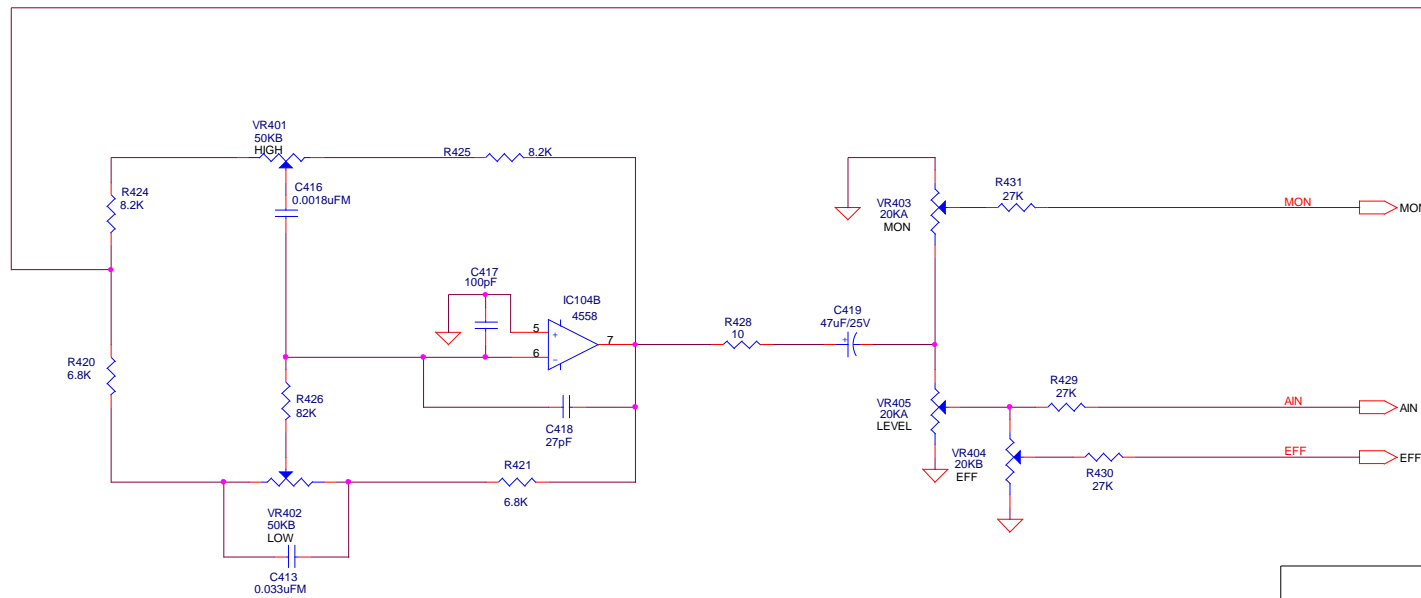
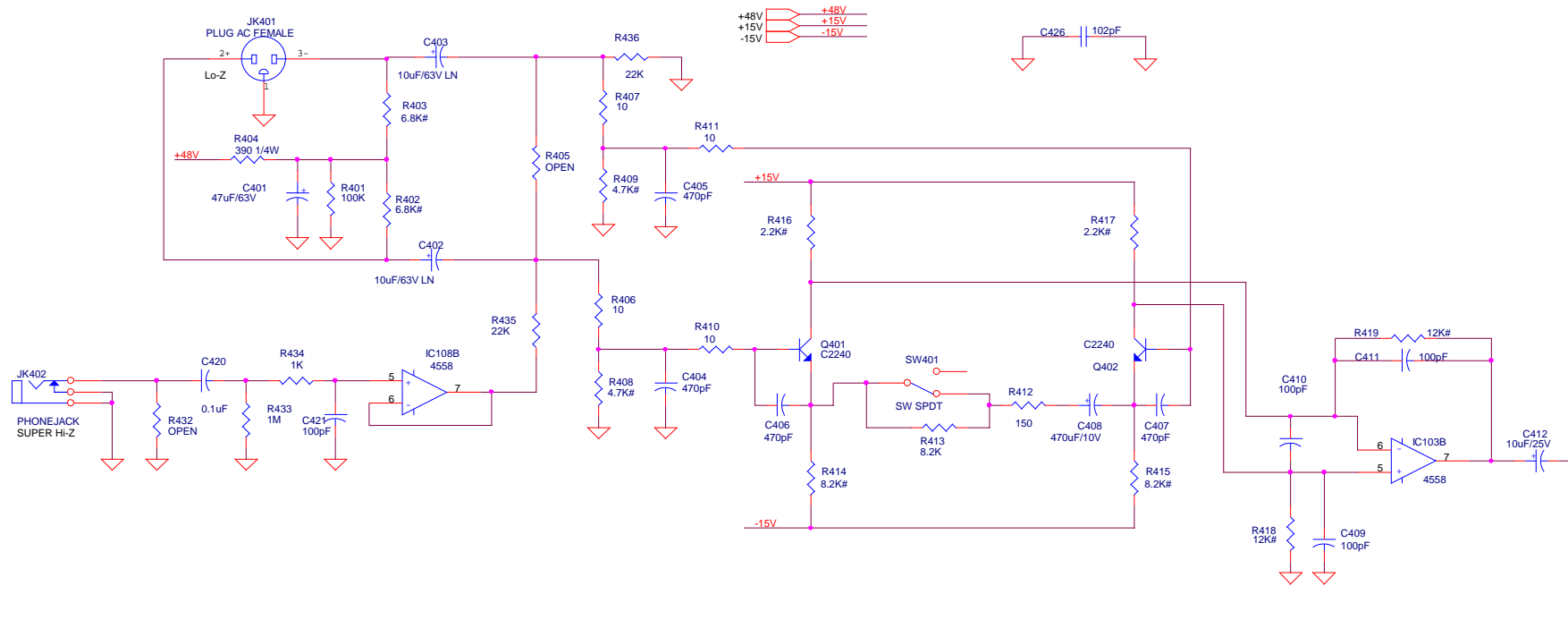
PHONIC CORP.		
Title POWERPOD615X/620X/620V4 CH_1 IN/OUT		
Size A3	Document Number CH_1.SCH	Rev A
Date: Friday, October 05, 2007	Sheet 1 of 14	



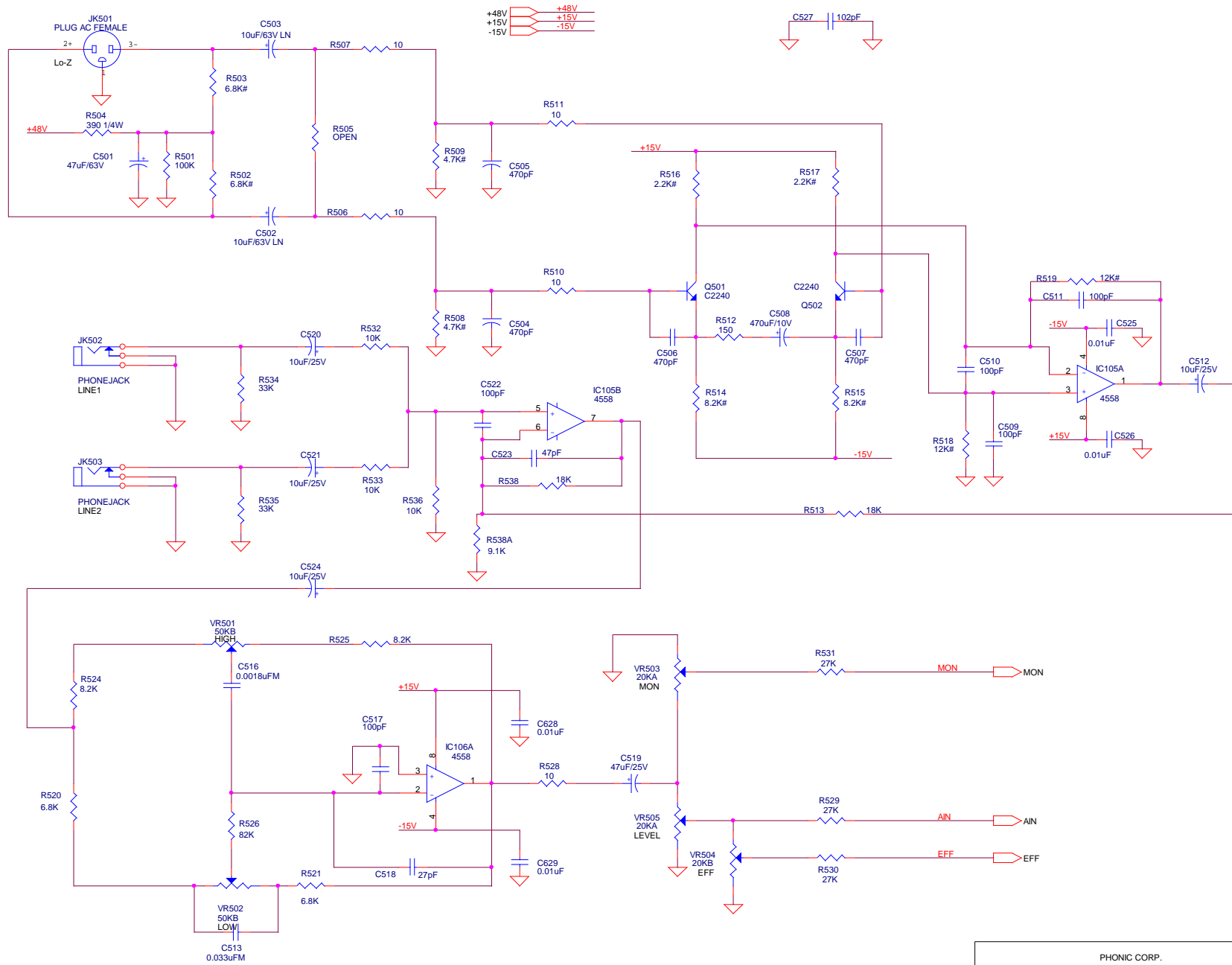
PHONIC CORP.			
Title	POWERPOD615X/620X /620V4CH_2 IN/OUT		
Size	Document Number	CH_2_SCH	Rev
A3			
Date:	Friday, October 05, 2007	Sheet	2 of 14



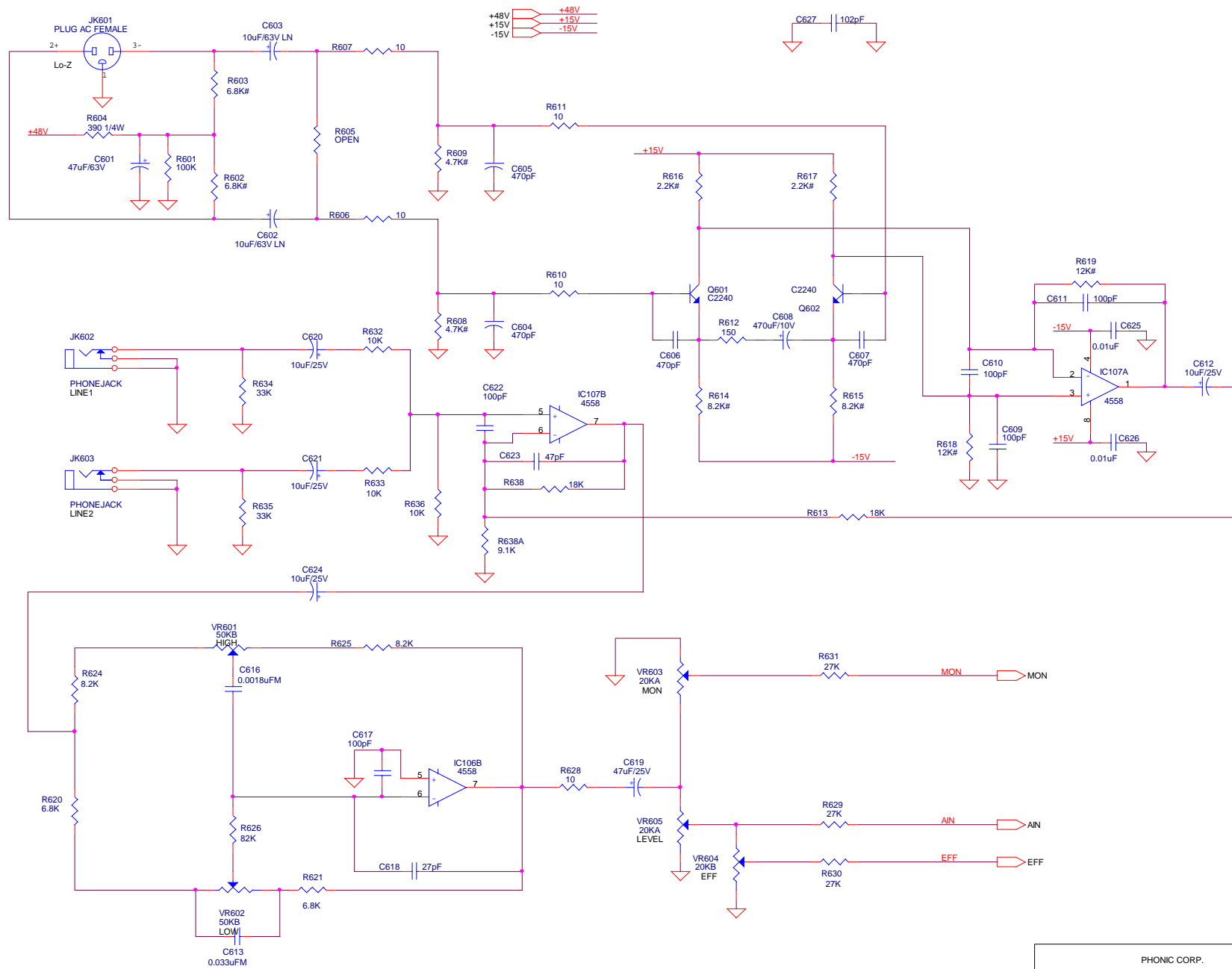
PHONIC CORP.		
Title POWERPOD615X/620X /620V4CH_3 IN/OUT		
Size A3	Document Number CH_3_SCH	Rev A
Date: Friday, October 05, 2007	Sheet 3	of 14



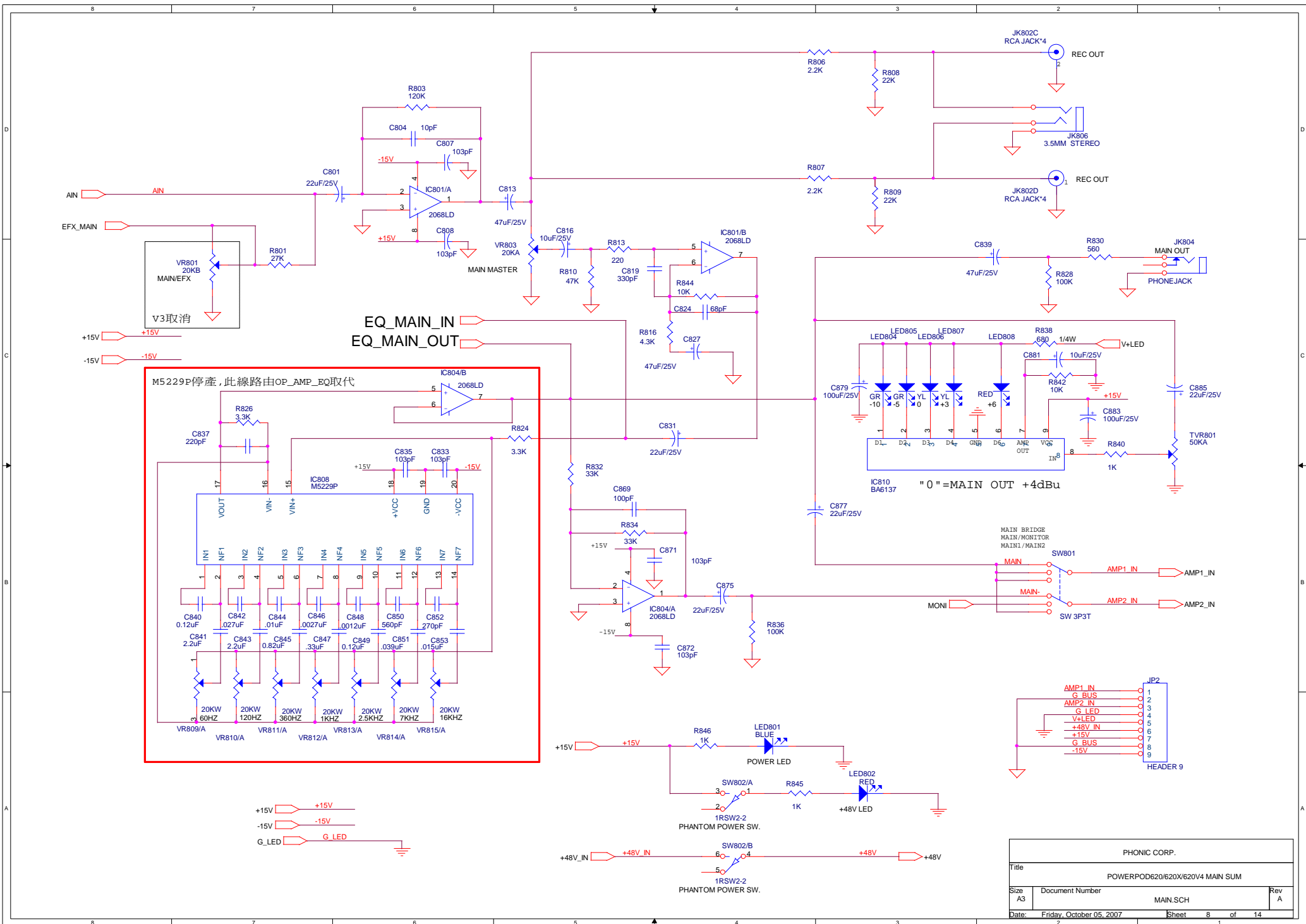
PHONIC CORP.			
Title POWERPOD615X620X620V4 CH_4 IN/OUT			
Size A3	Document Number CH_4.SCH	Rev A	
Date: Friday, October 05, 2007	Sheet 4	of 14	

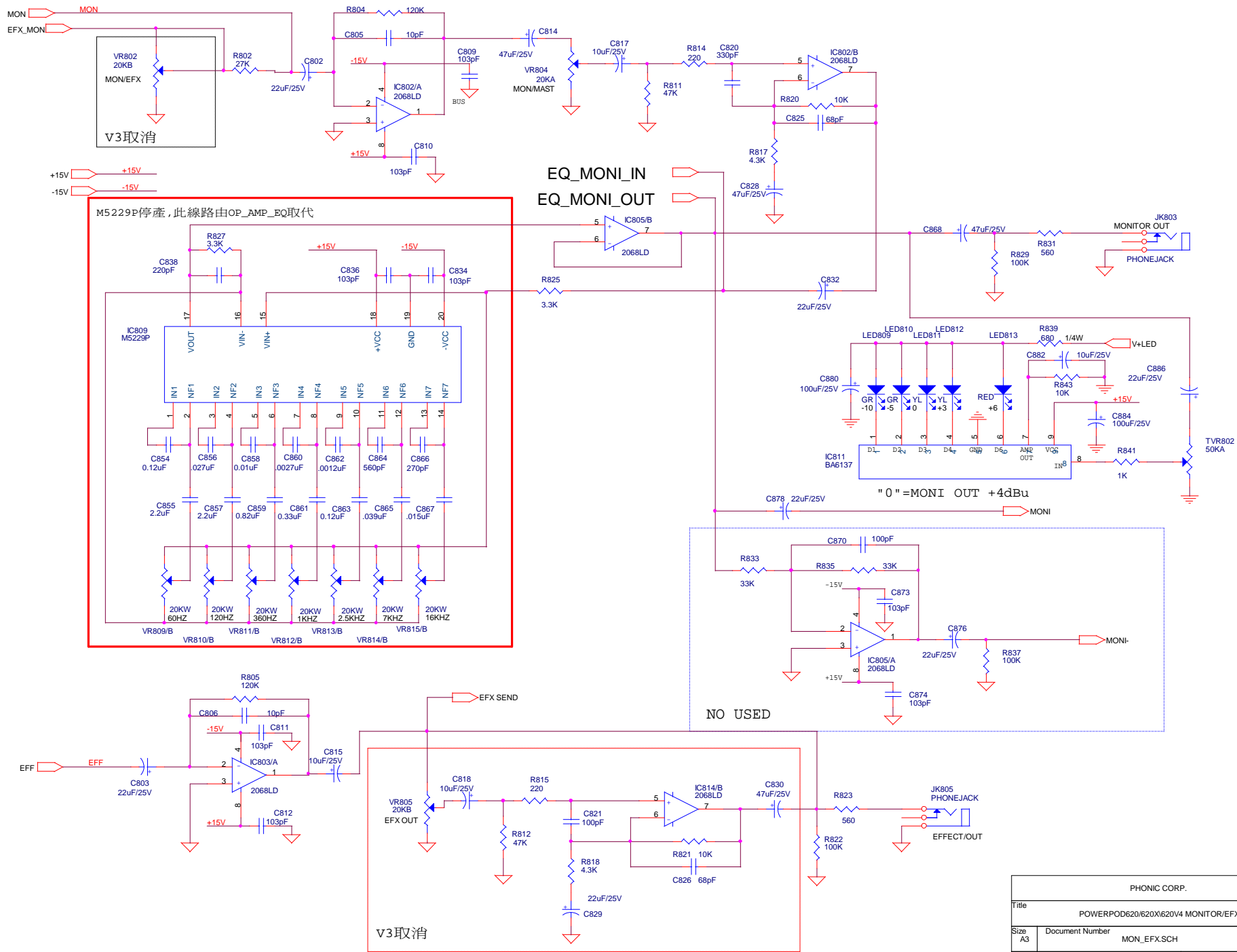


PHONIC CORP.		
Title POWERPOD615X/620X /620V4CH_5 IN/OUT		
Size A3	Document Number CH_5.SCH	Rev A
Date: Friday, October 05, 2007	Sheet 5	of 14

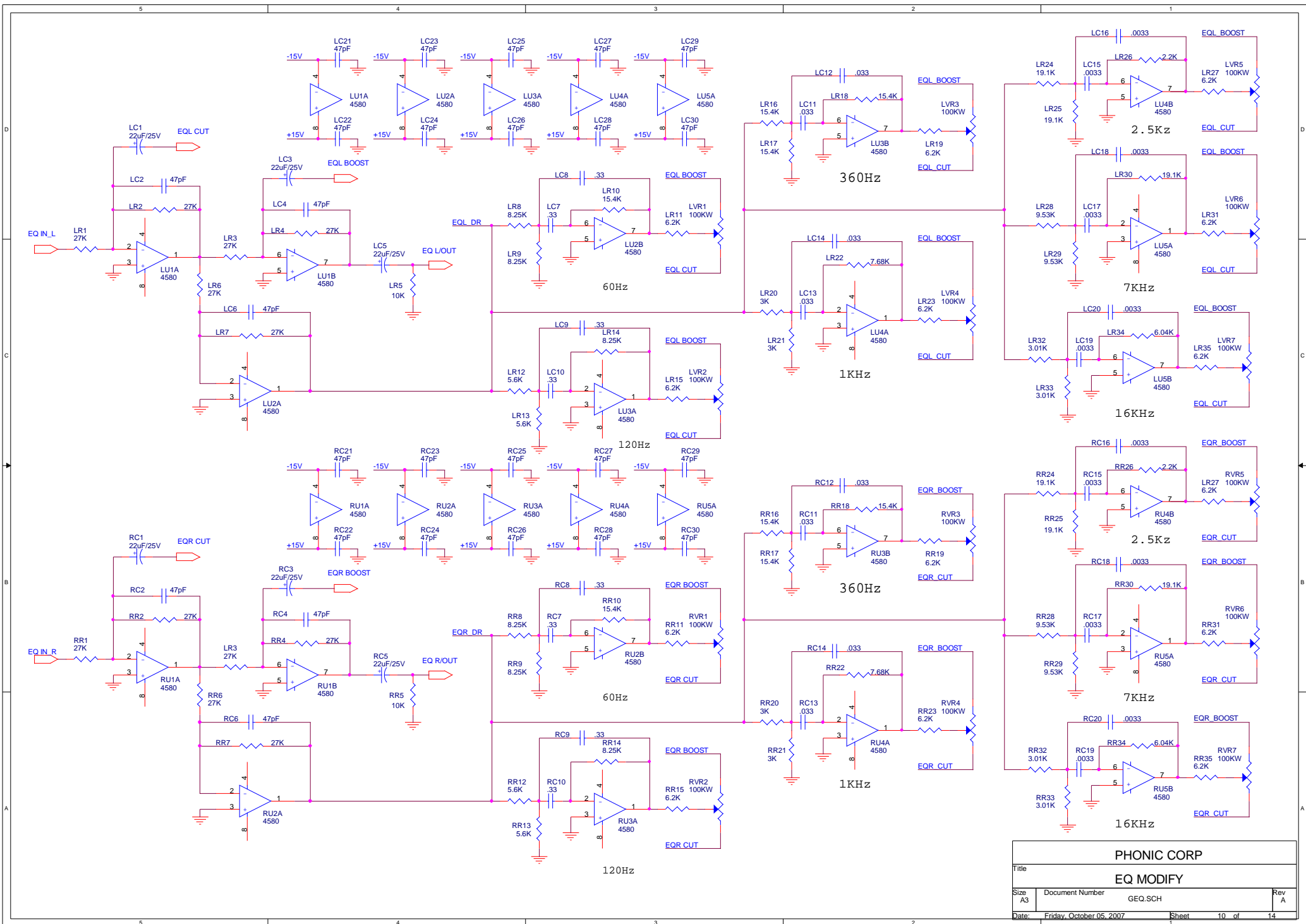


PHONIC CORP.		
Title POWERPOD615X620X620V4 CH_6 IN/OUT		
Size A3	Document Number CH_6.SCH	Rev A
Date: Friday, October 05, 2007	Sheet 6	of 11

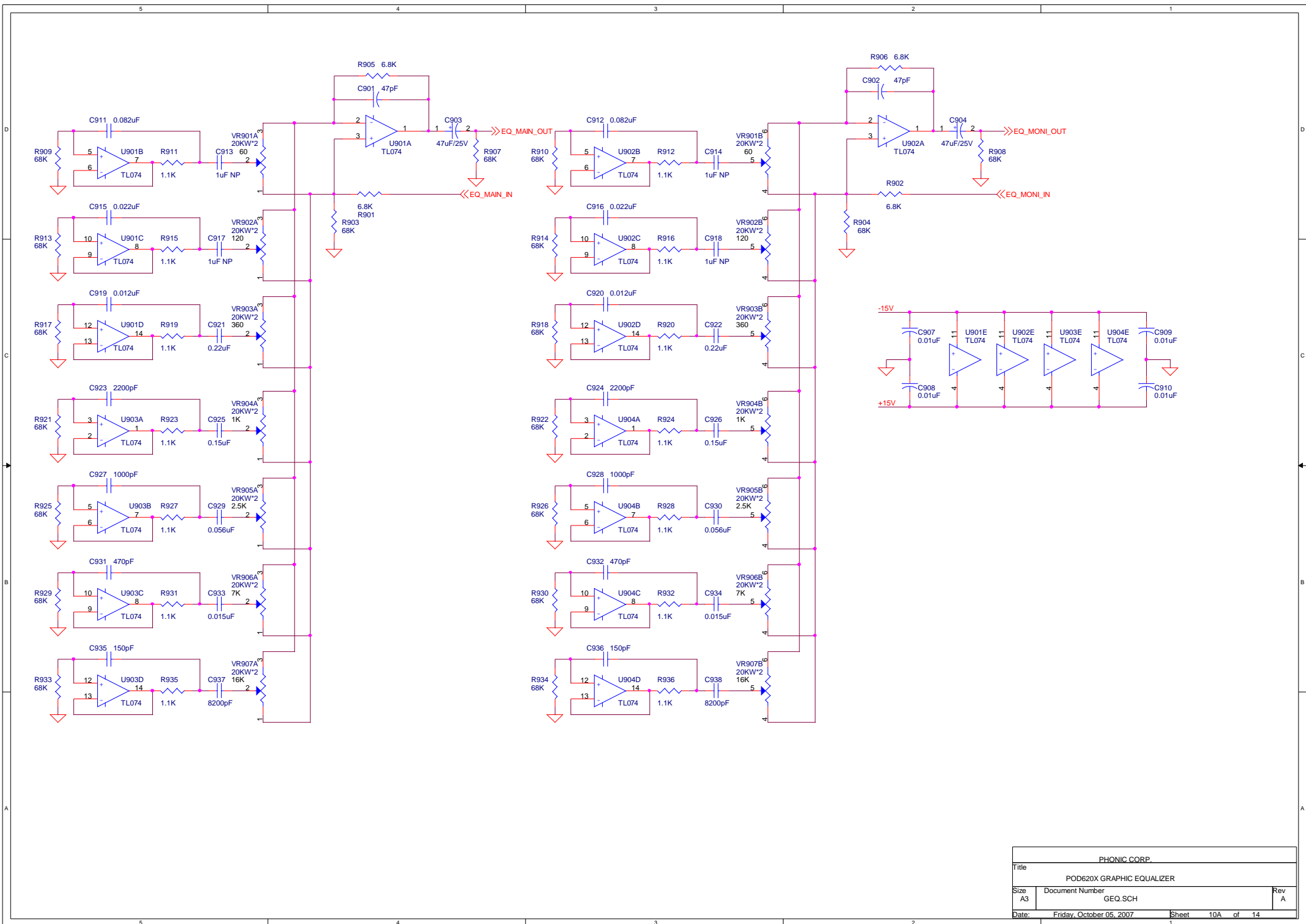




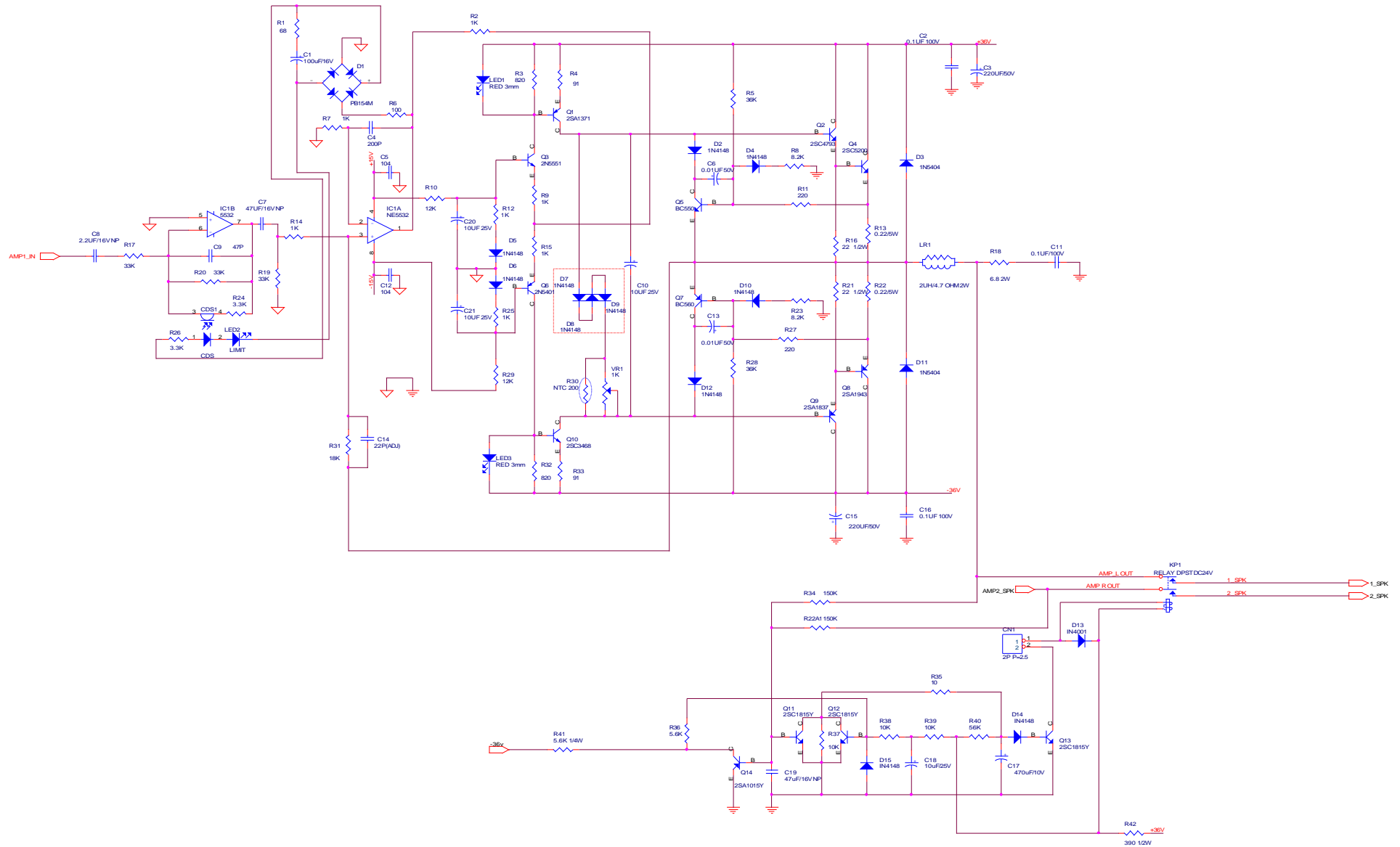
PHONIC CORP.		
Title POWERPOD620/620X620V4 MONITOR/EFX SUM		
Size A3	Document Number MON_EFX.SCH	Rev A
Date: Friday, October 05, 2007	Sheet 9	of 14



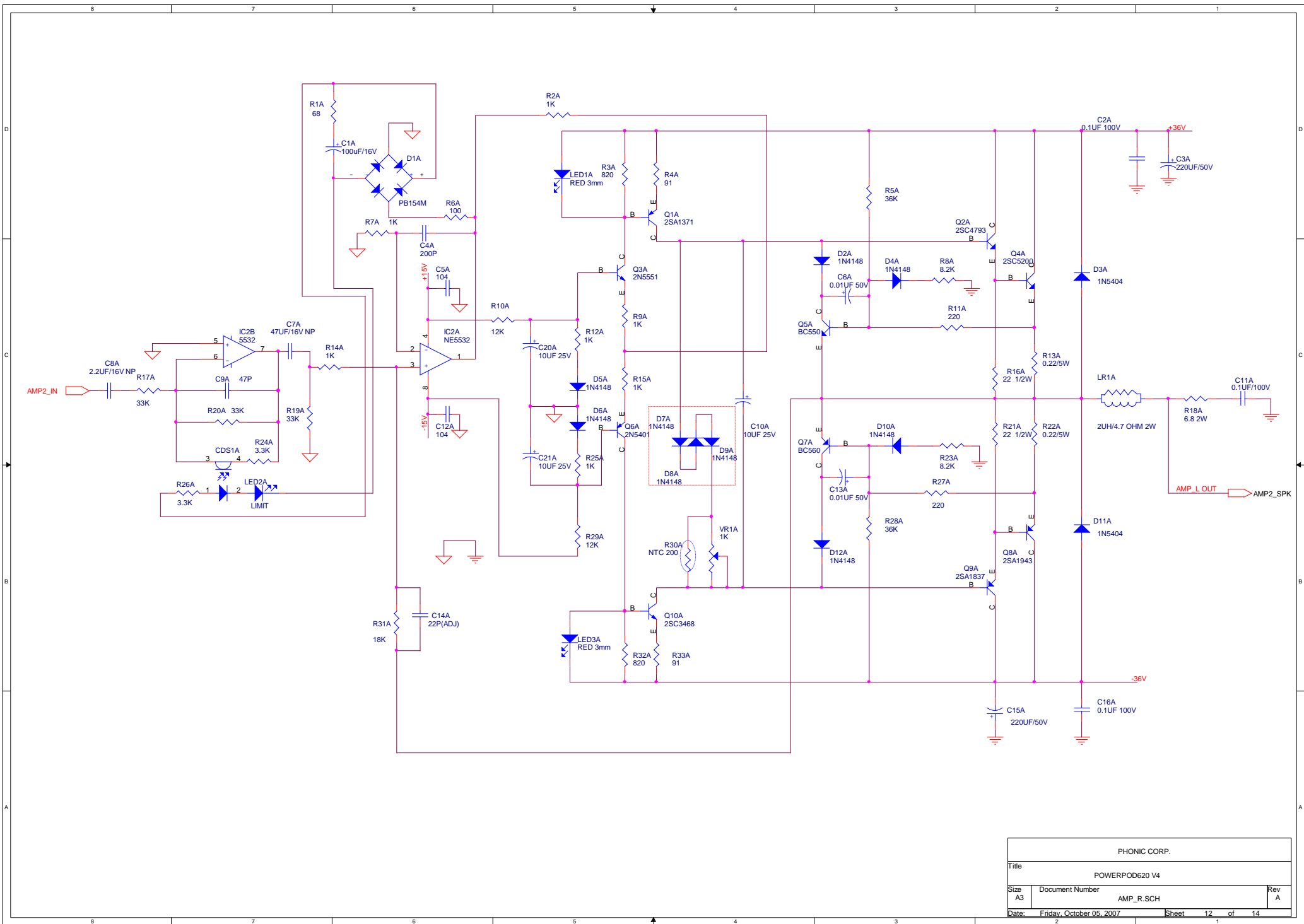
PHONIC CORP		
Title EQ MODIFY		
Size A3	Document Number GEQ.SCH	Rev A
Date: Friday, October 05, 2007	Sheet 10 of	14



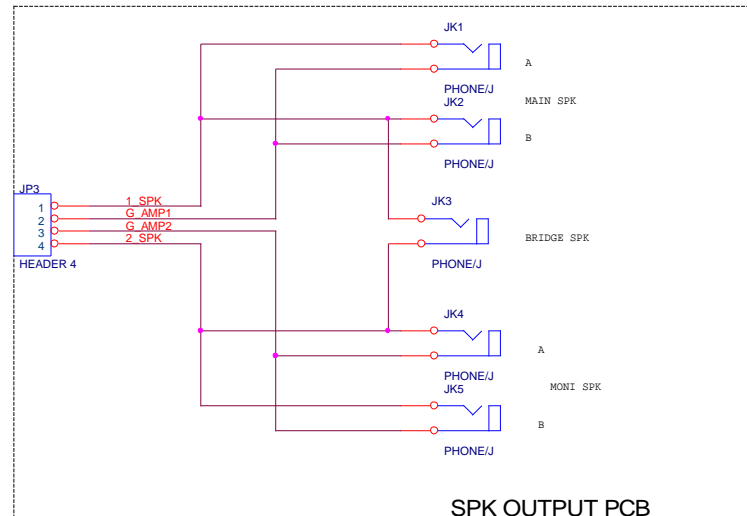
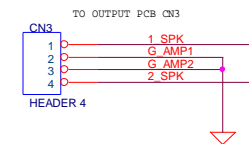
PHONIC CORP.		
Title POD620X GRAPHIC EQUALIZER		
Size A3	Document Number GEQ.SCH	Rev A
Date: Friday, October 05, 2007	Sheet 10A	of 14



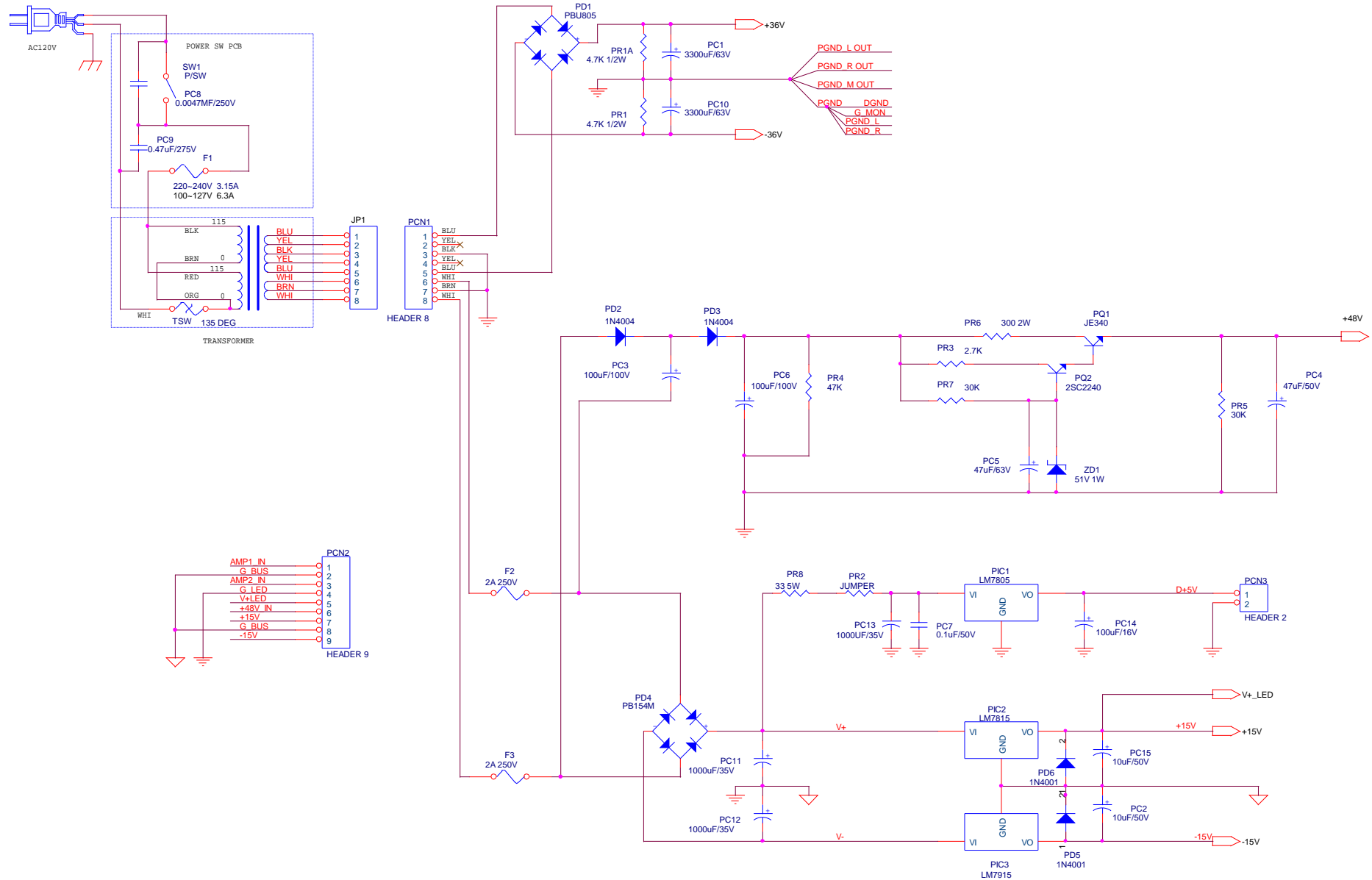
PHONIC CORP.			
Title	POWERPOD620 V4		
Size	Document Number	Rev	A
A2	AMP_L&RELAY SCH		
Date	Friday, October 05, 2007	Sheet	11 of 14



PHONIC CORP.		
Title POWERPOD620 V4		
Size A3	Document Number AMP_R.SCH	Rev A
Date Friday, October 05, 2007	Sheet 12	of 14



PHONIC CORP.		
Title POWERPOD620V4 SPK OUTPUT		
Size A3	Document Number OUT.SCH	Rev A
Date: Friday, October 05, 2007	Sheet 13	of 14



PHONIC CORP.		
Title	POWERPOD620V4 POWER SUPPLY	
Size	Document Number	Rev
A3	POWER.SCH	B
Date:	Friday, October 05, 2007	Sheet 14 of 14