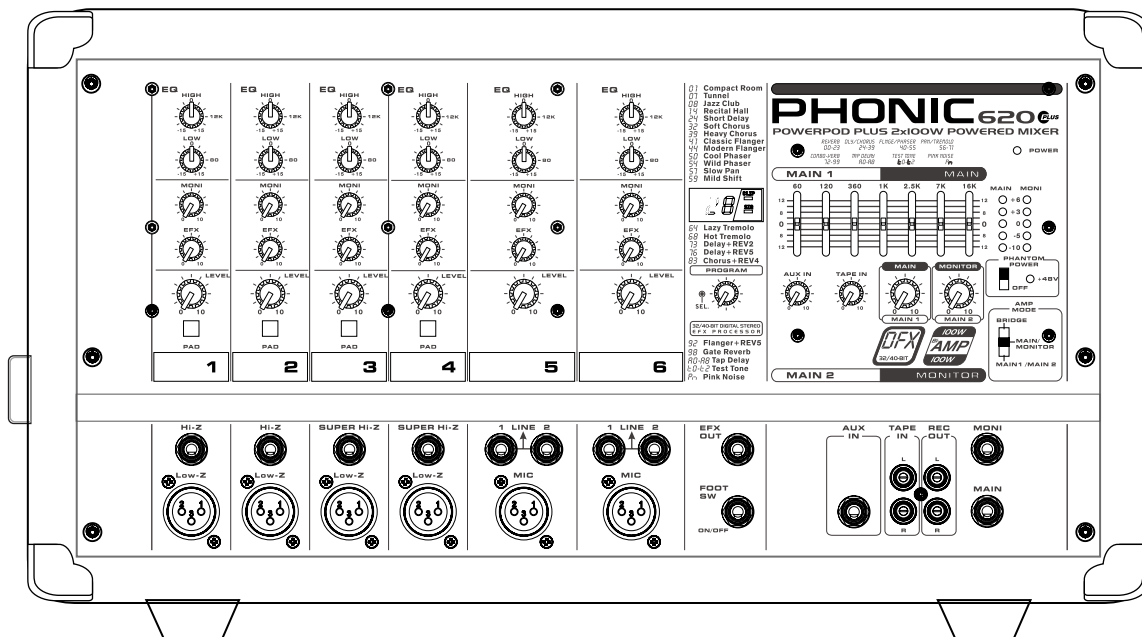


# POWERPOD 620 **PLUS** V1

## SERVICE MANUAL



# PHONIC

**CONTENTS**

**SCHEMATICS**

**PANEL LAYOUT .....3**

**BLOCK .....4**

**CH\_1 .....5**

**CH2 .....6**

**CH3 .....7**

**CH4 .....8**

**CH5 .....9**

**CH6 .....10**

**EFFECT..... 11**

**MAIN .....12**

**MON\_EFX .....13**

**GEQ.....14**

**GEQ.....15**

**AMP\_L .....16**

**AMP\_R.....17**

**PROTECT .....18**

**POWER SUPPLY .....19**

**OUT PCB .....20**

**BOM**

**POWER REQUIREMENT CLASSIFICATION .....21**

**POWER PCB-PART LIST(10202001T020G) .....22**

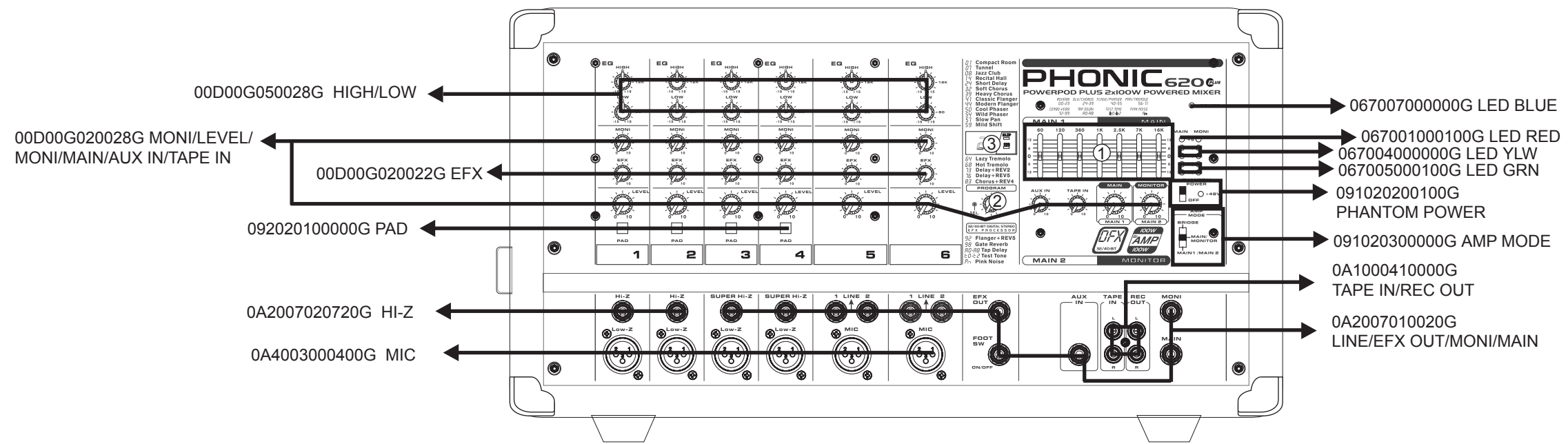
**DSP PCB-PART LIST(10202000Y040G) .....25**

**MASTER PCB-PART LIST(10202001A020G) .....27**

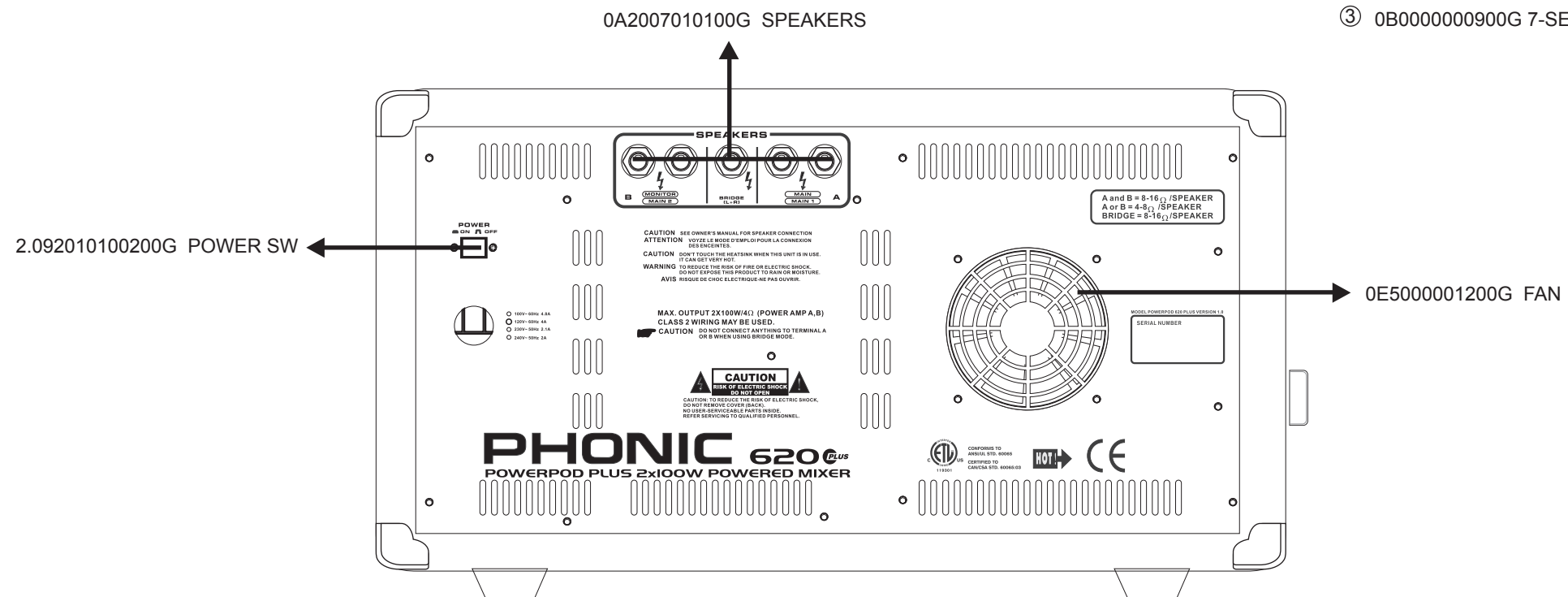
**WOOD CASE -PART LIST .....31**

**MISCELLANEOUS ITEMS .....32**

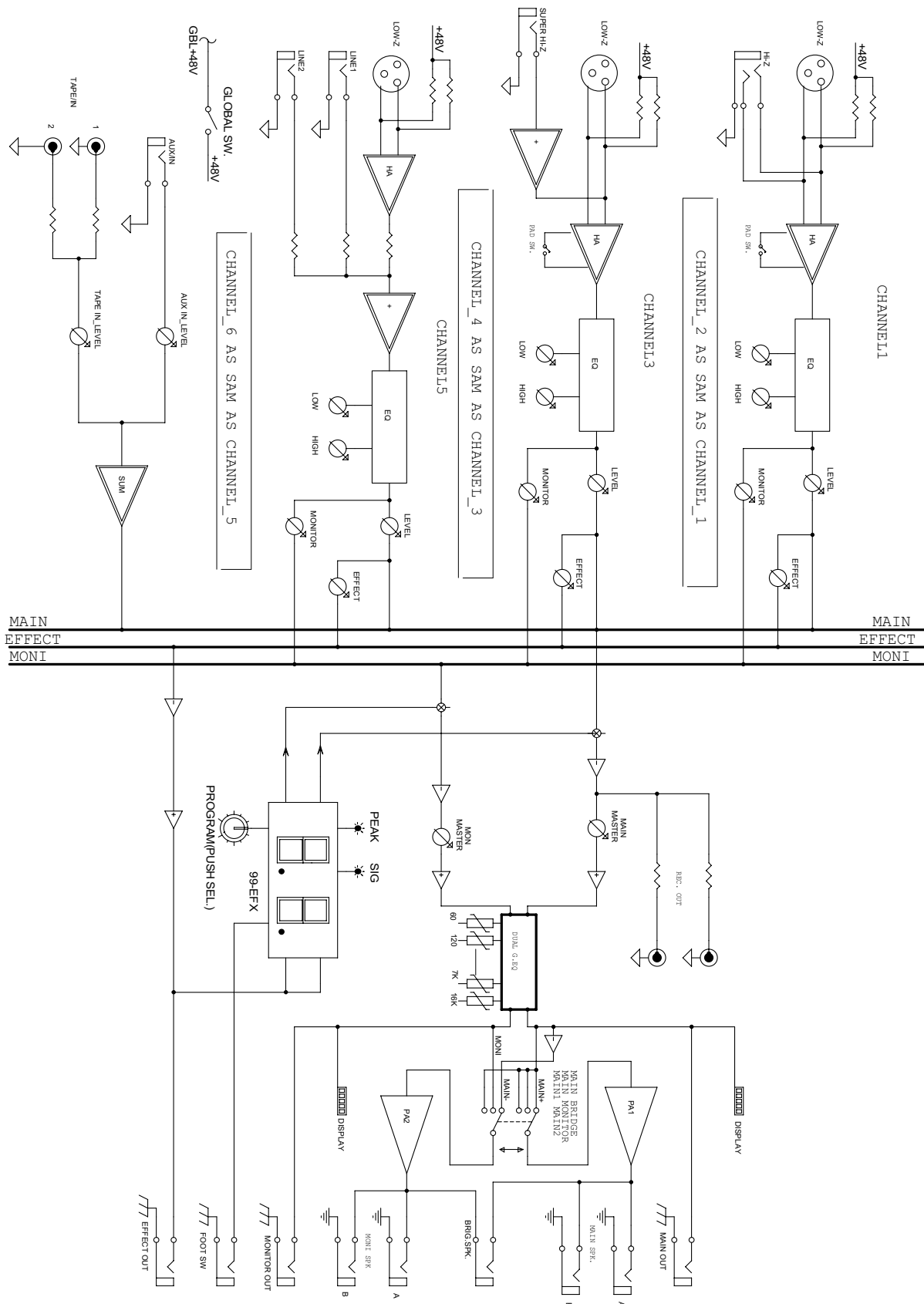
PANEL LAYOUT



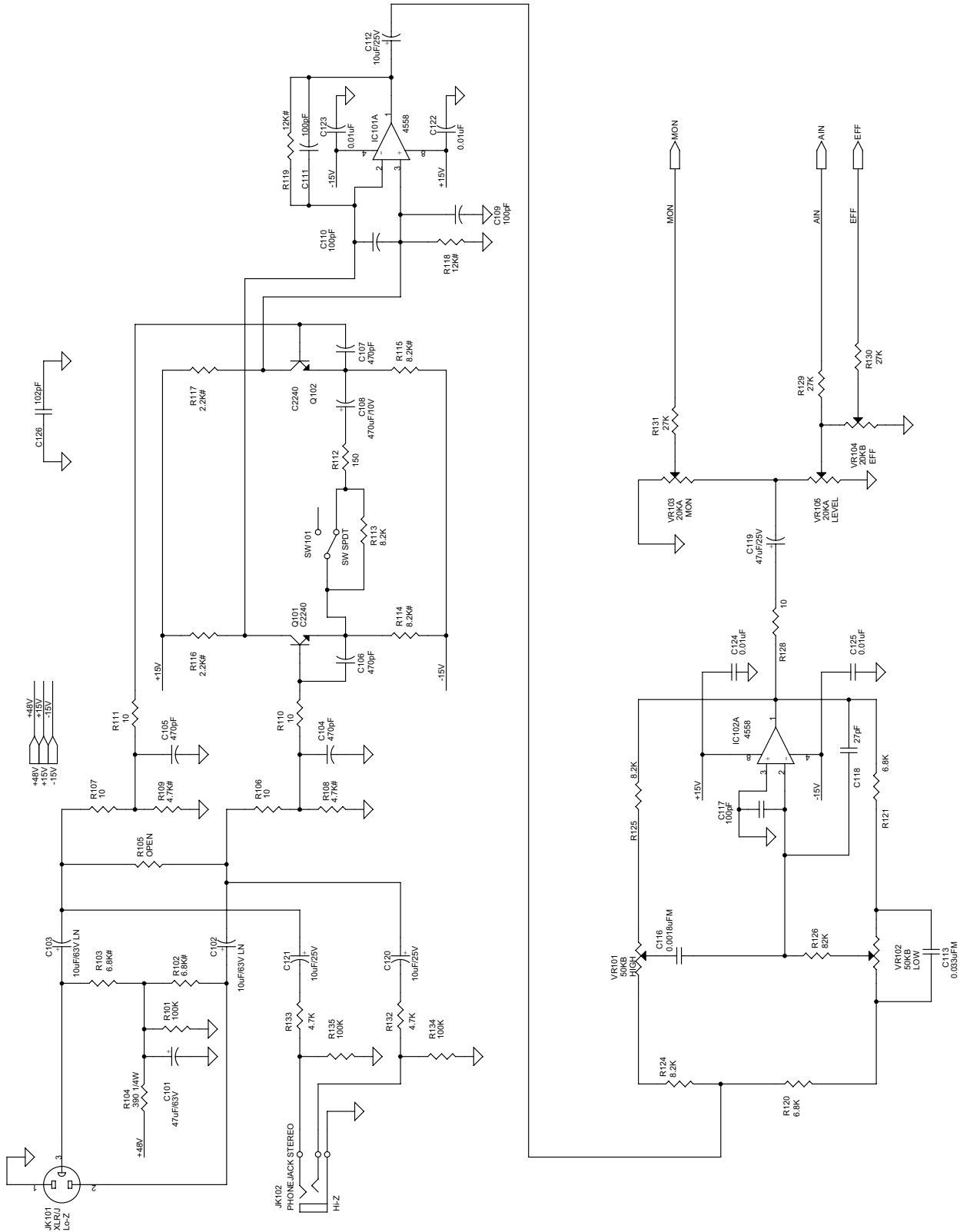
- ① 00J001220020G EQ
- ② 09F000001100G PROGRAM
- ③ 0B0000000900G 7-SEG/LED



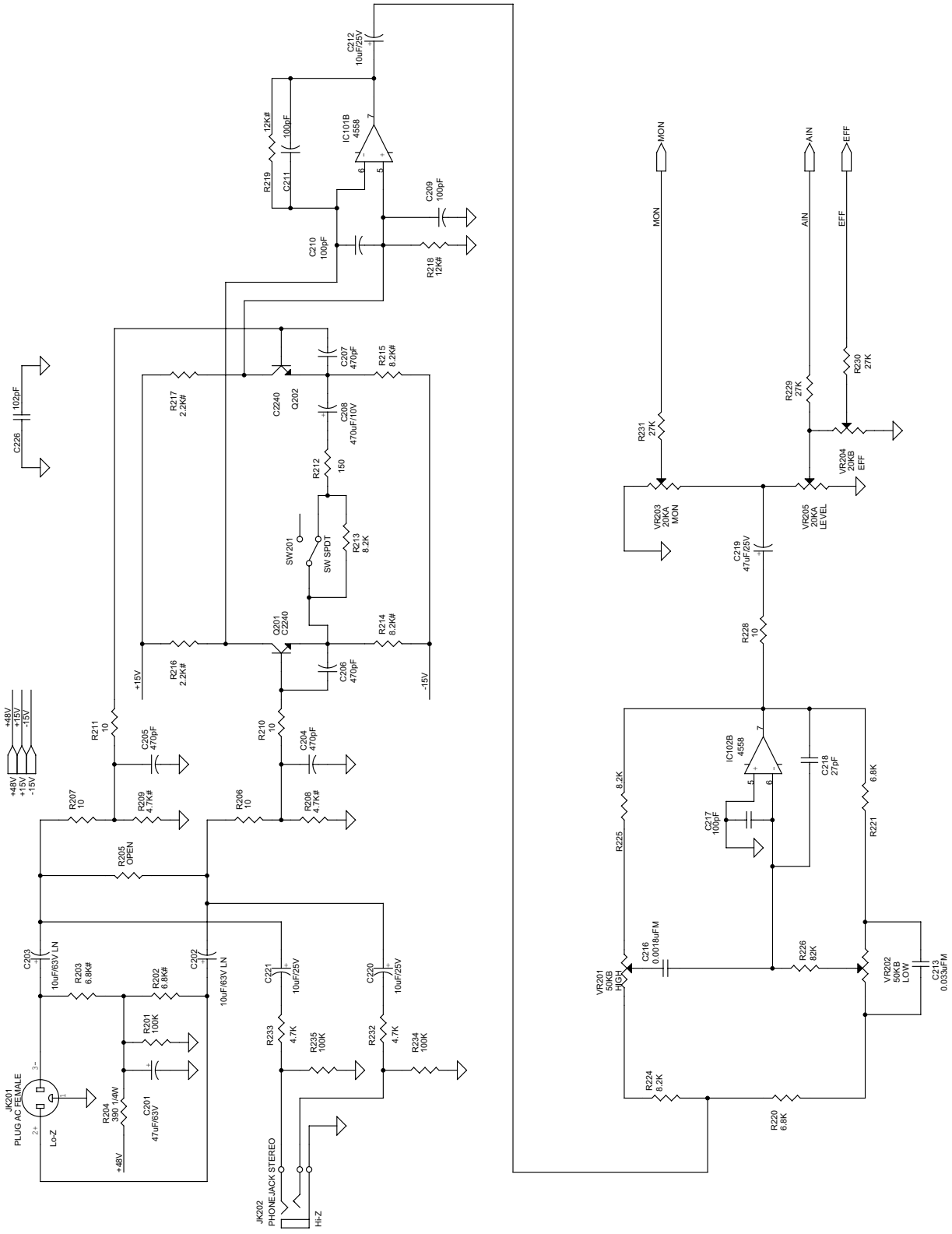
## BLOCK



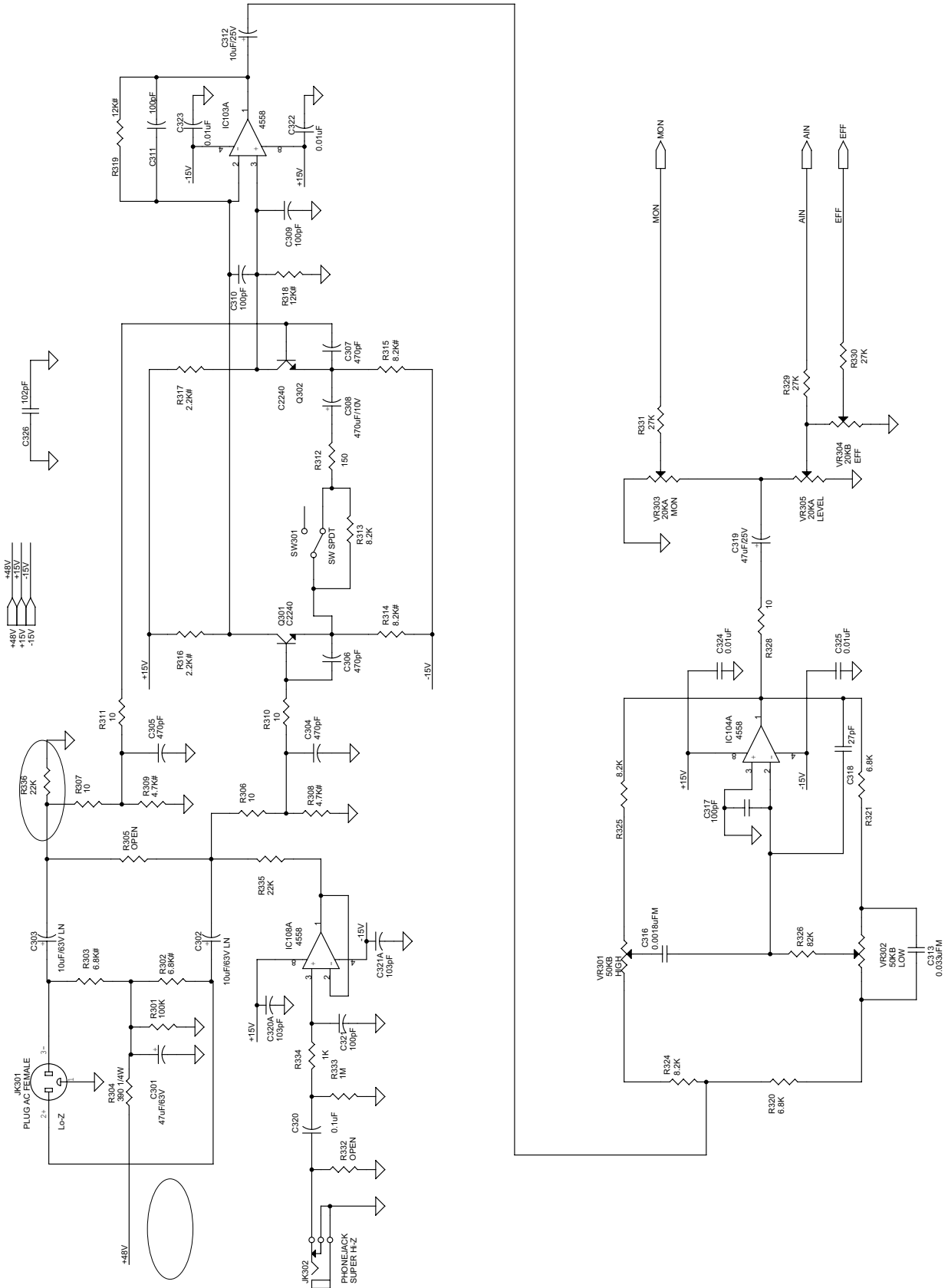
CH\_1



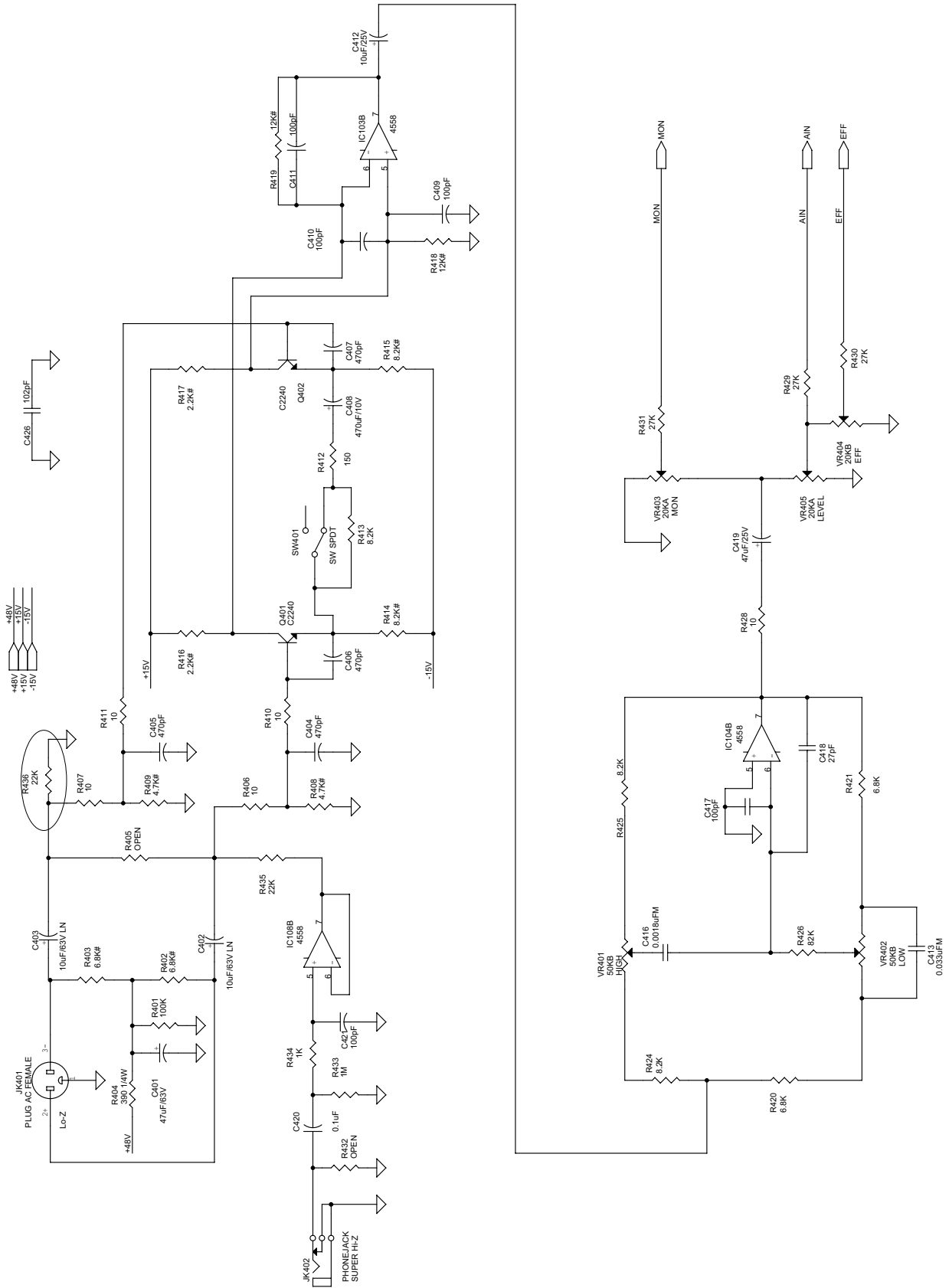
## CH2



CH3

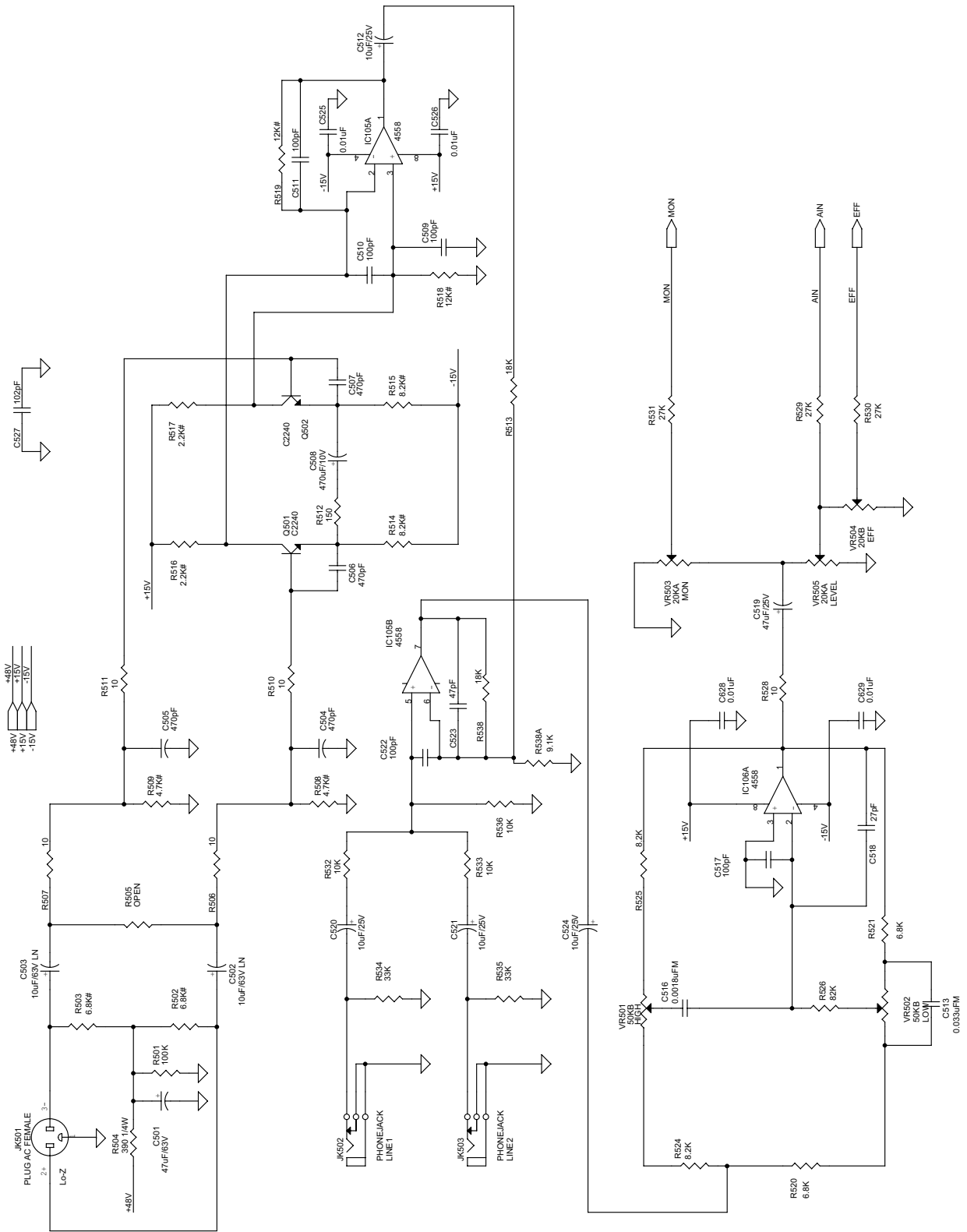


## CH4

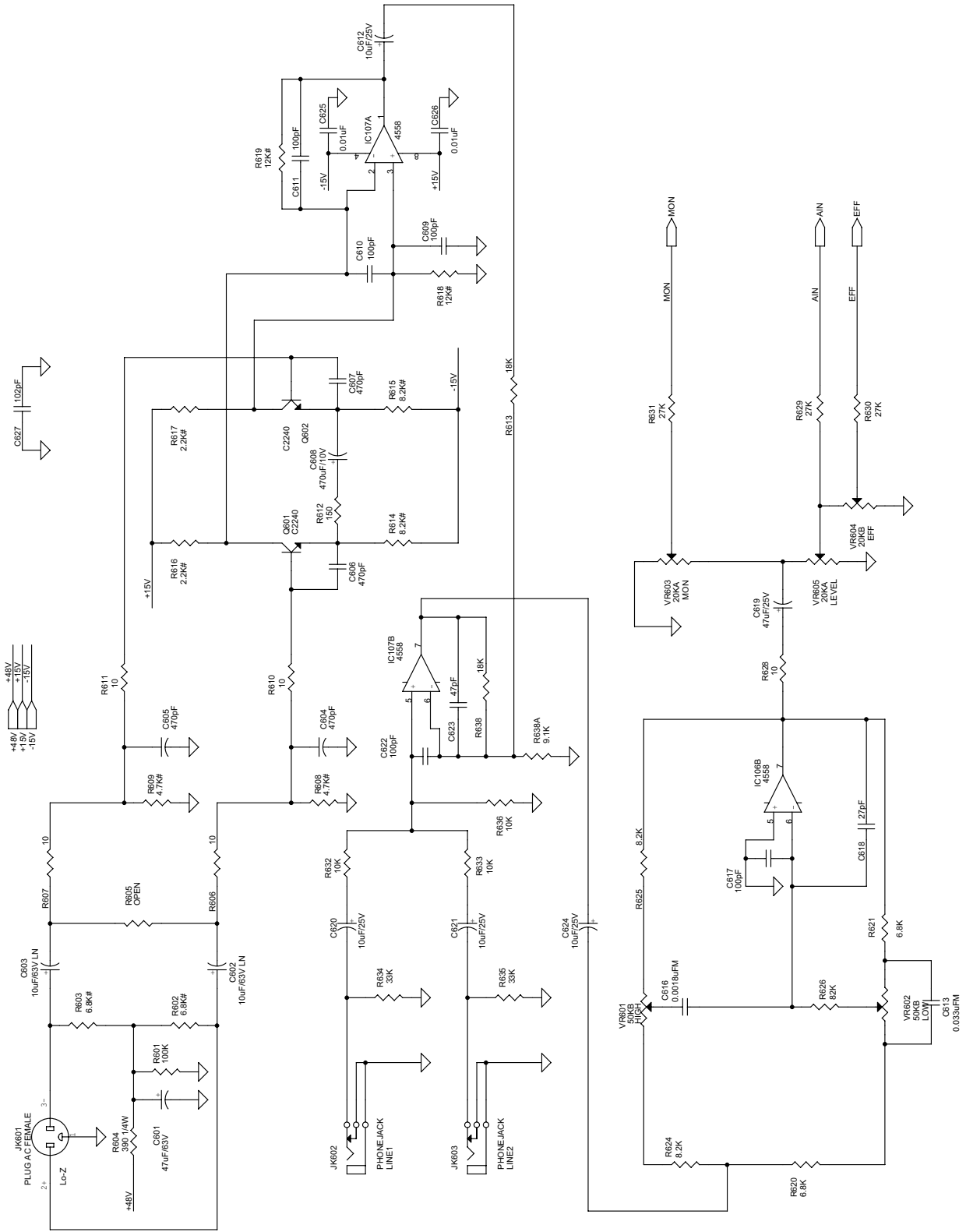




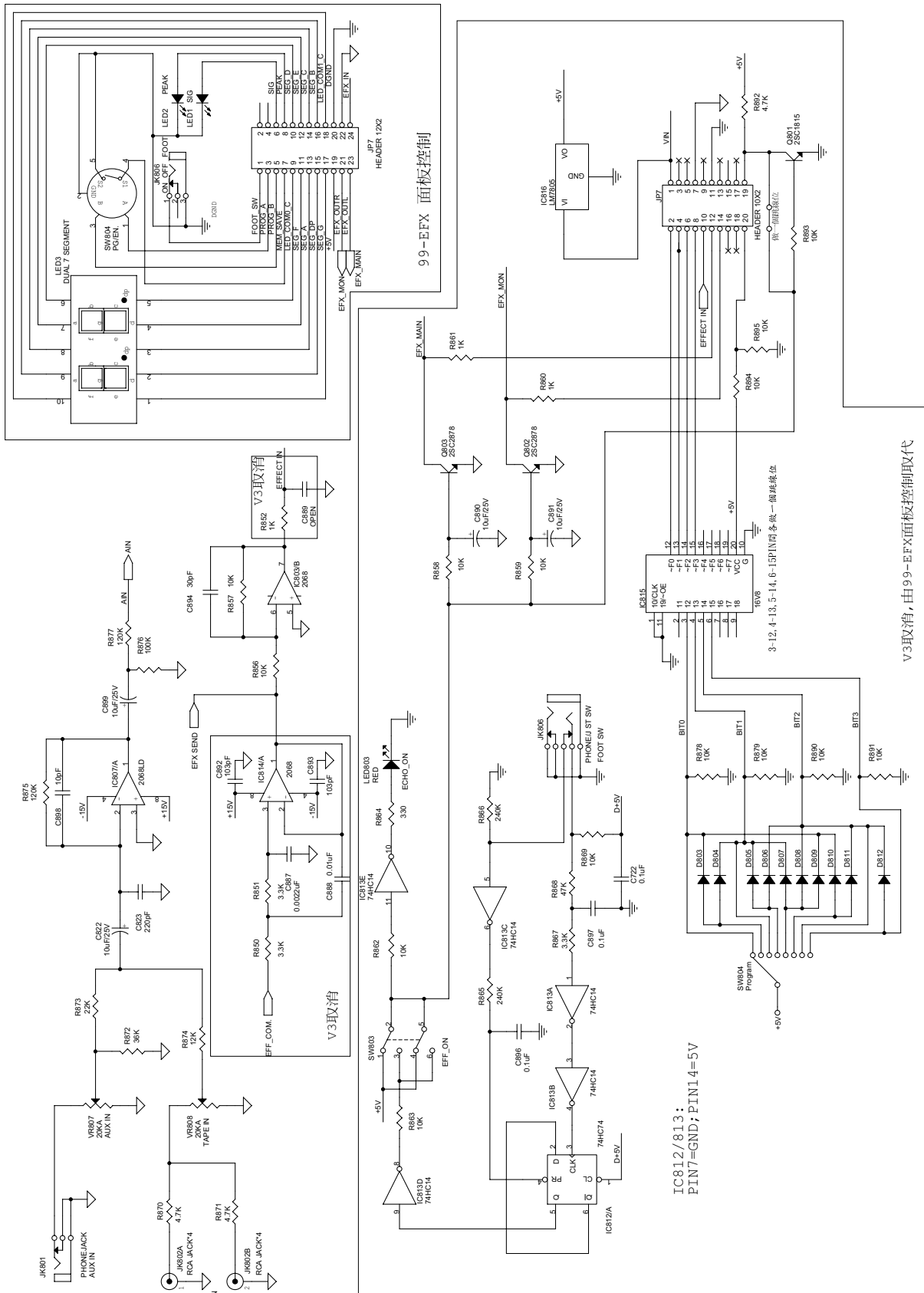
CH5



CH6



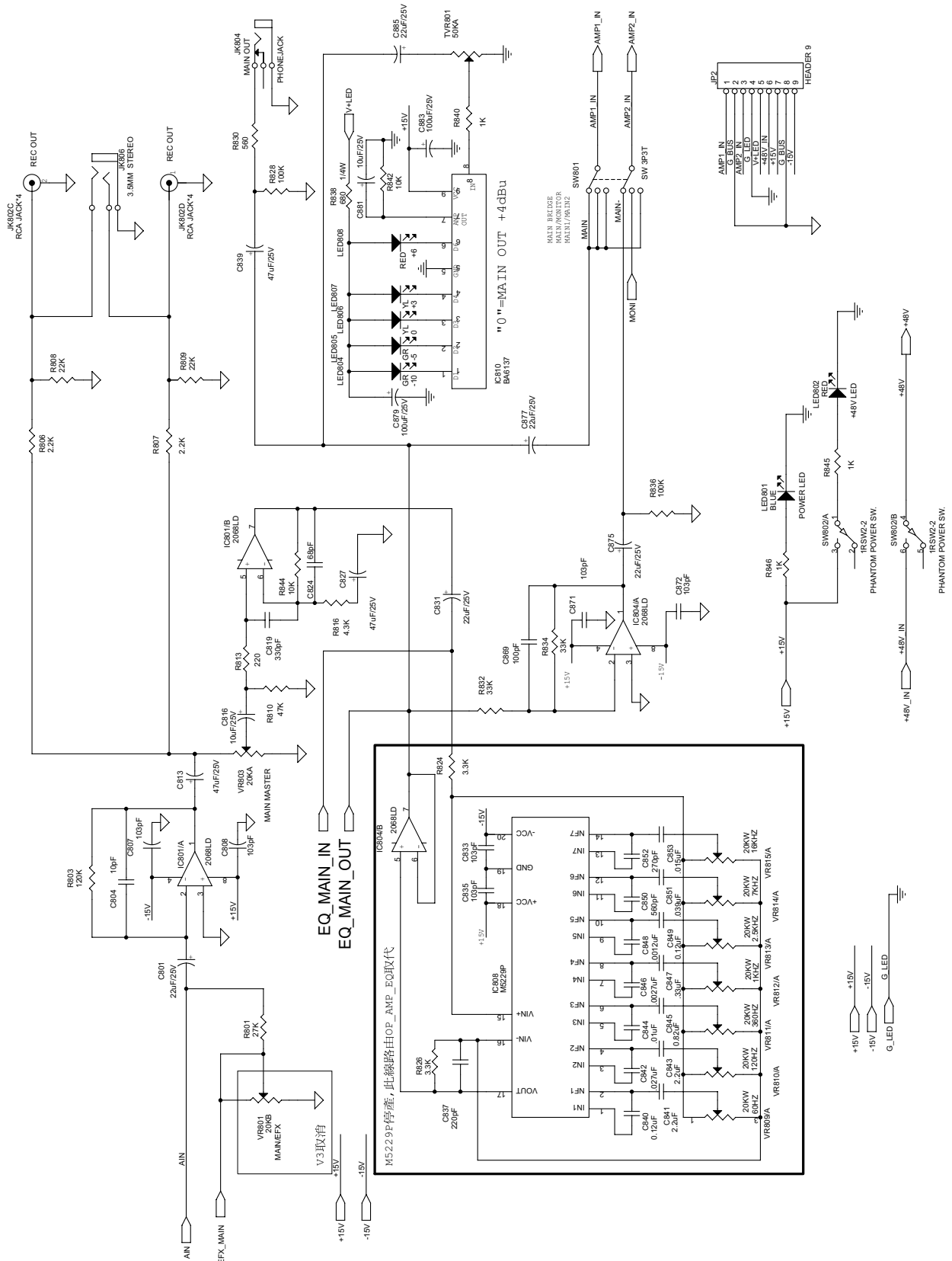
EFFECT



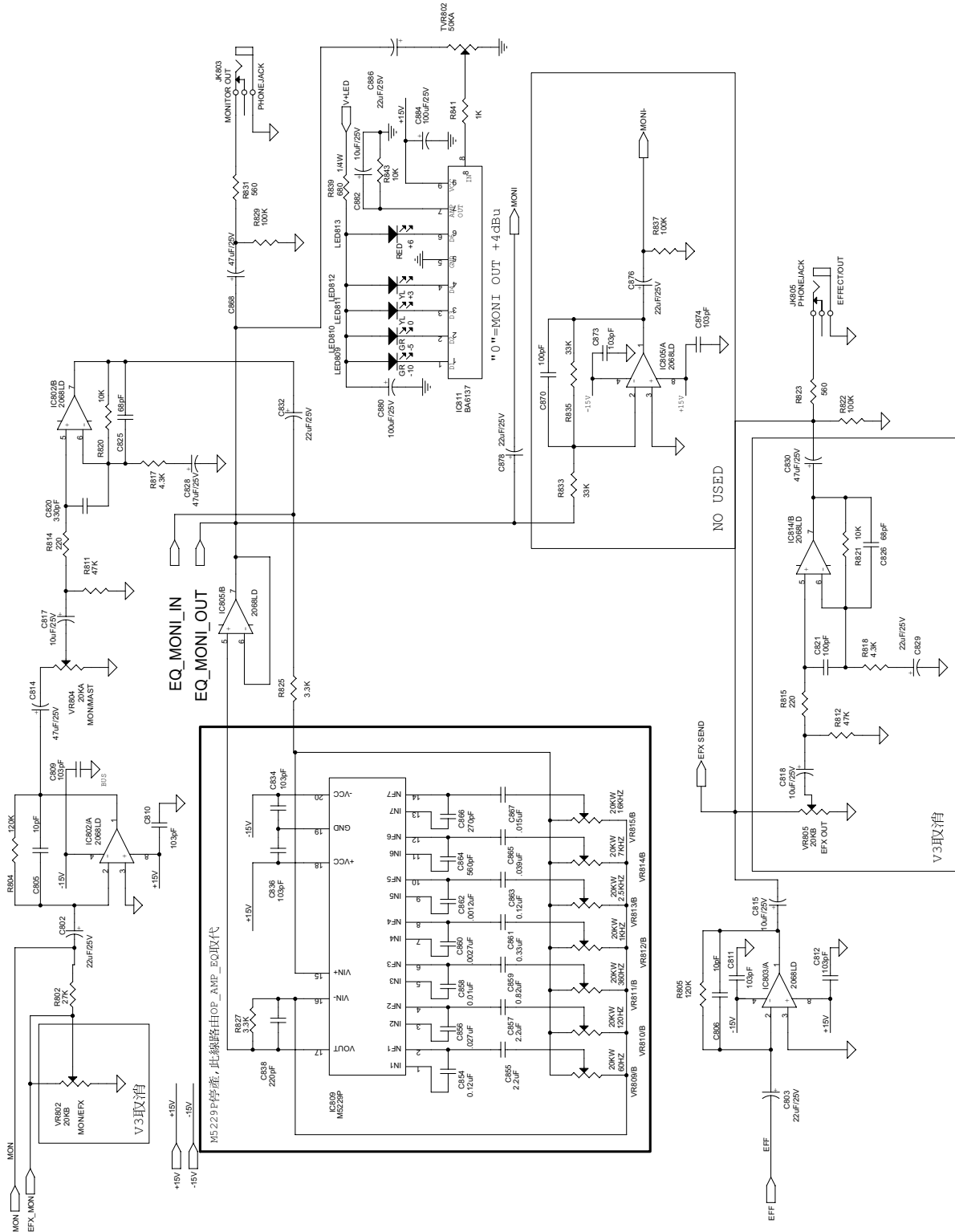
V3取消, 由99-EFX面板控制取代

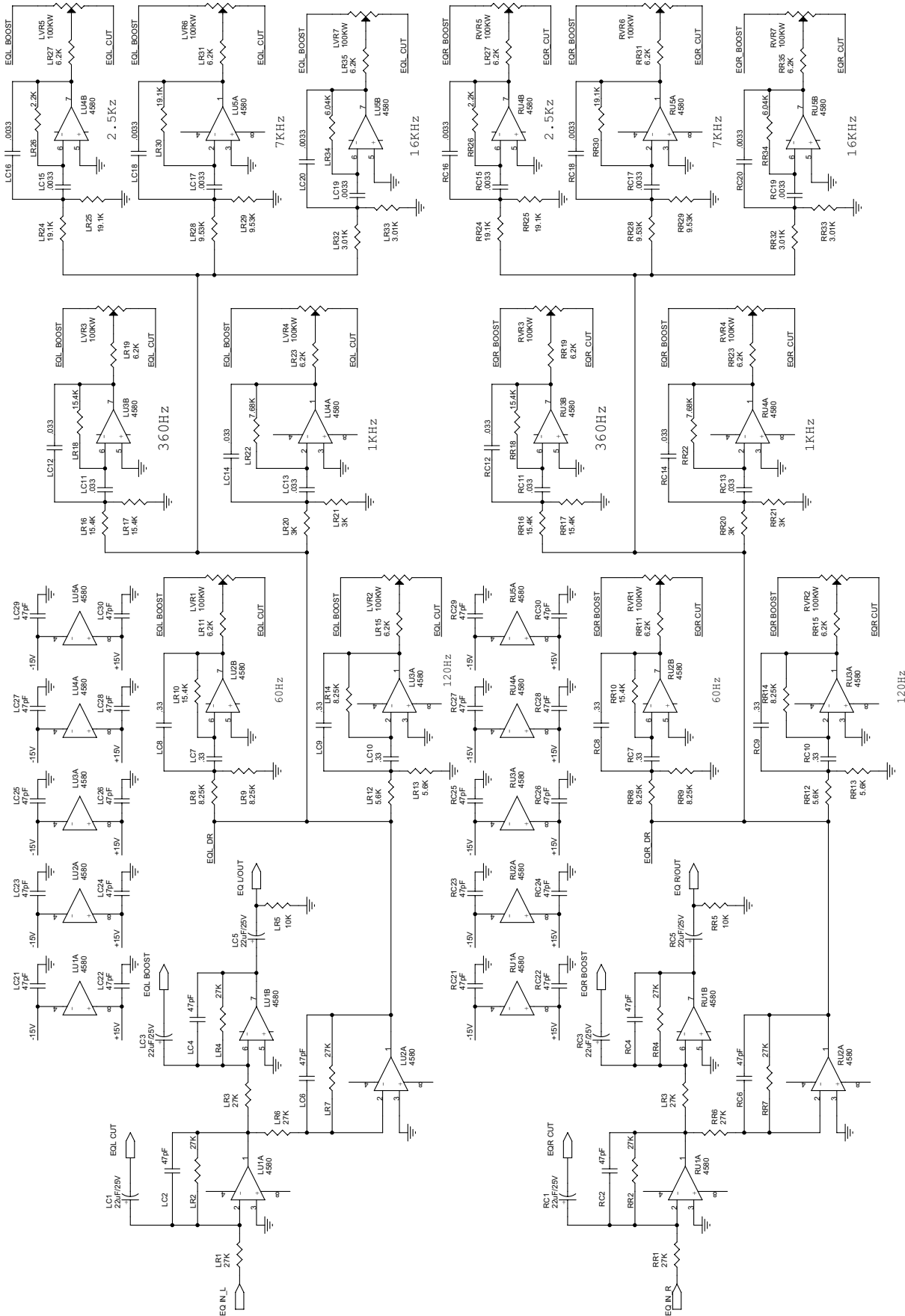
IC812/813:  
PIN7=GND; PIN14=5V

## MAIN

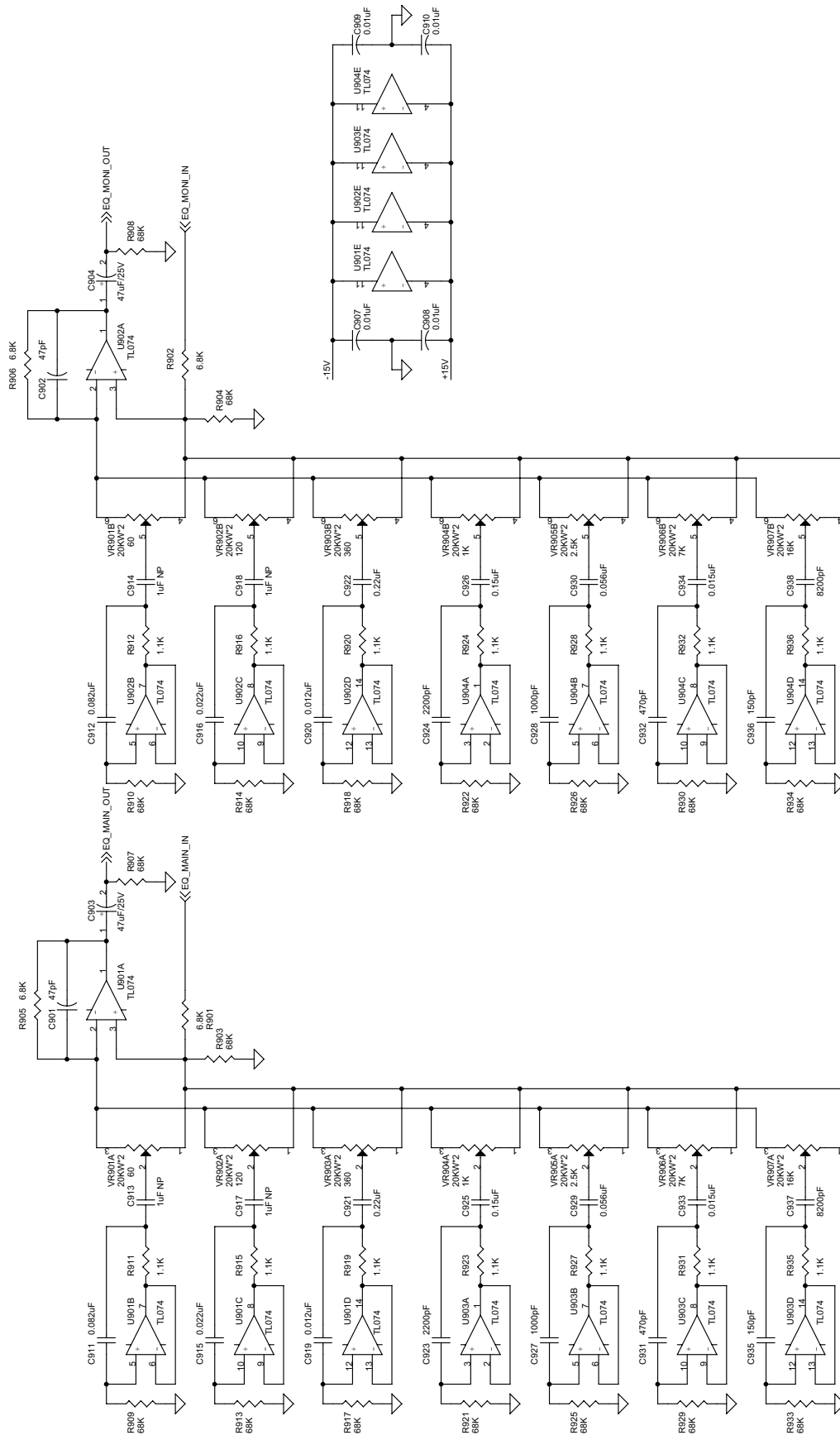


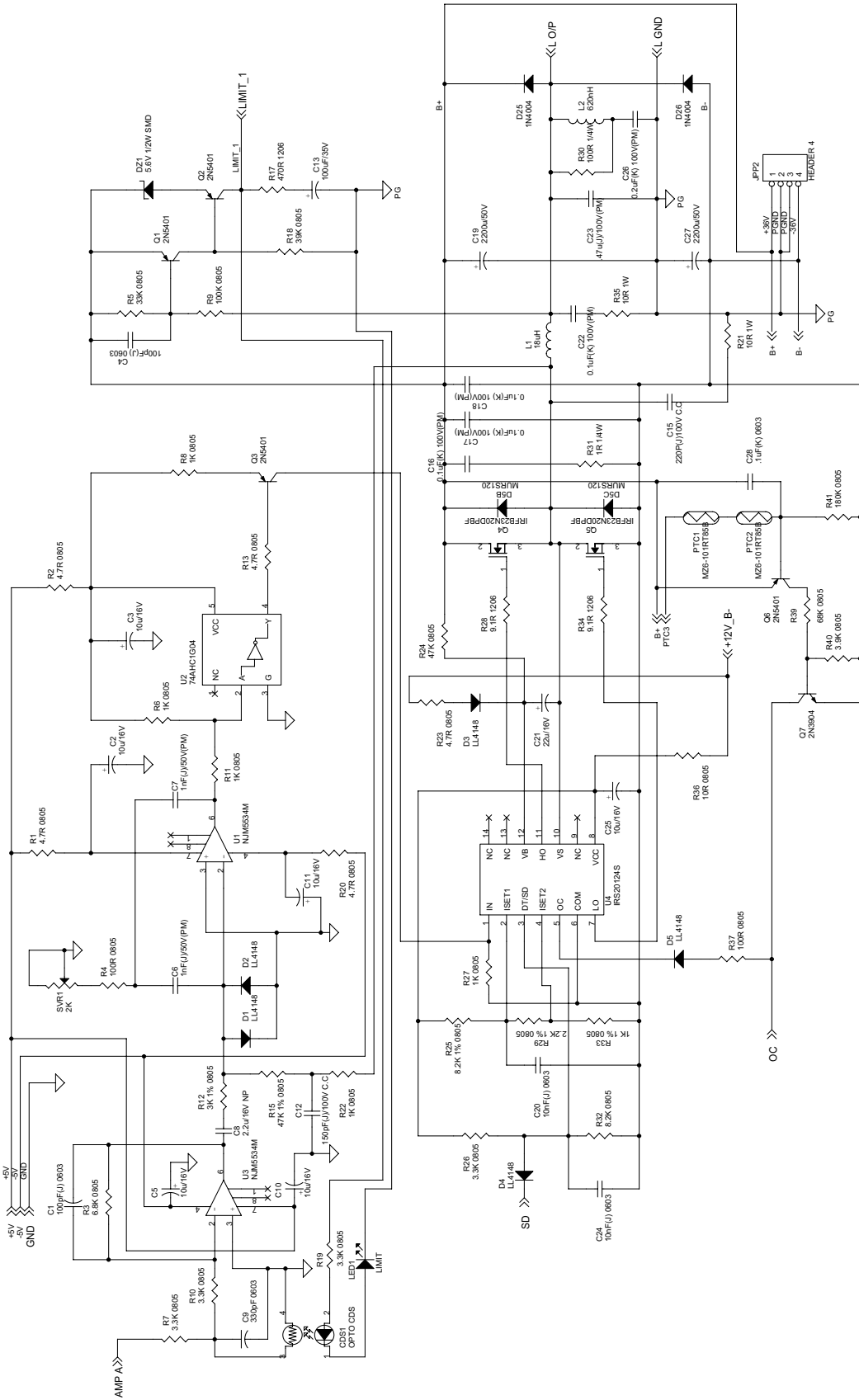
MON\_EFX





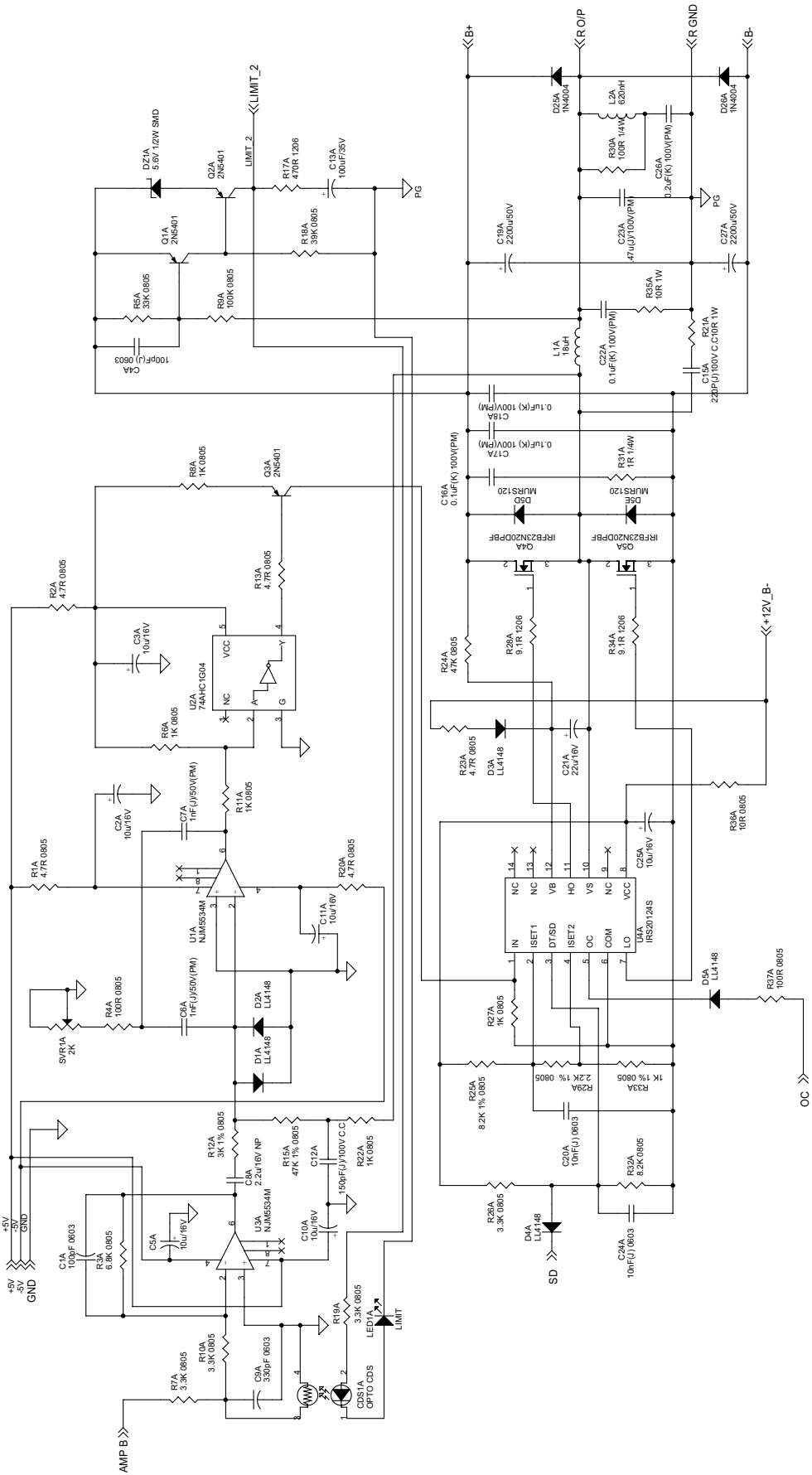
GEQ

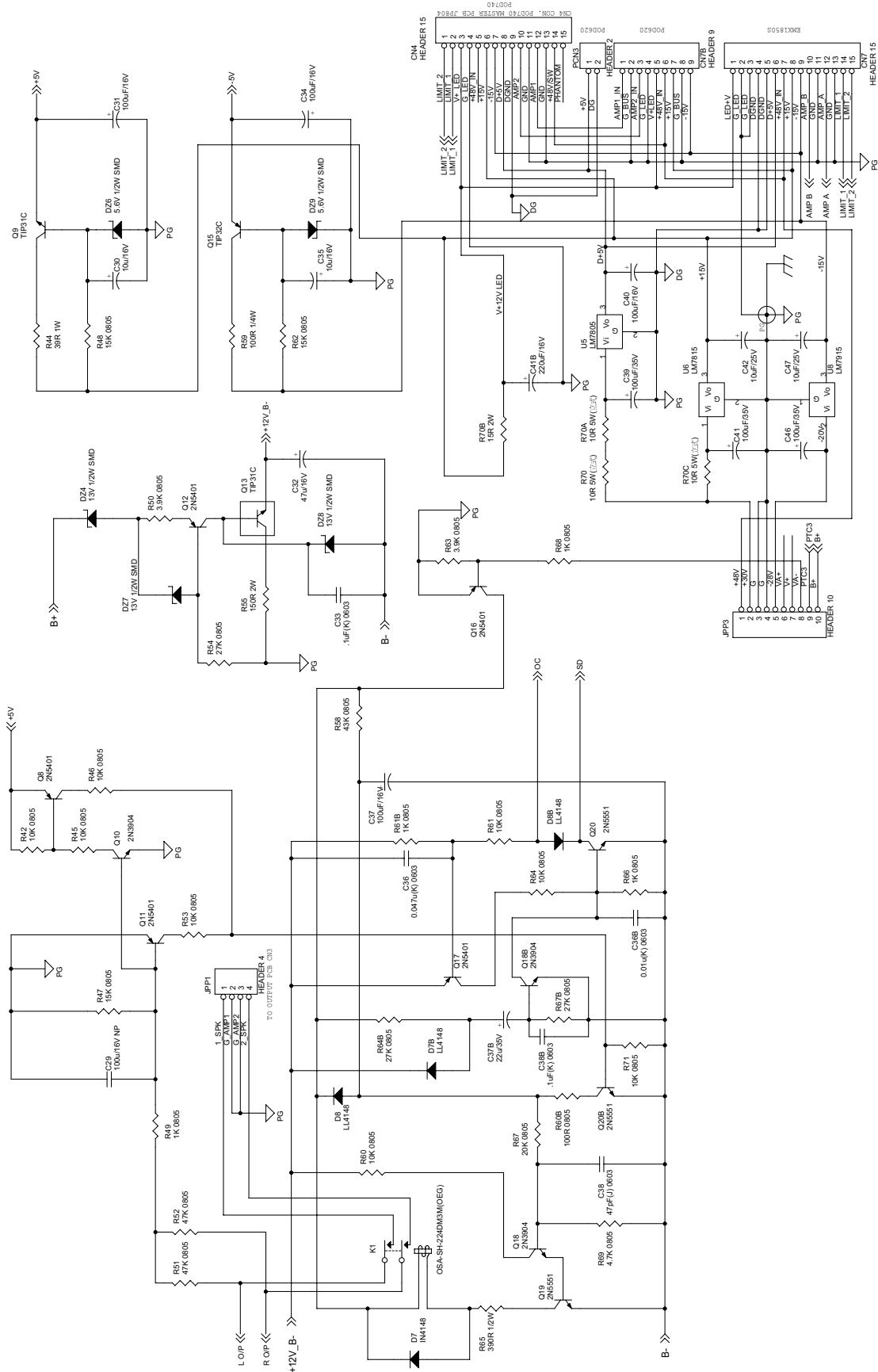




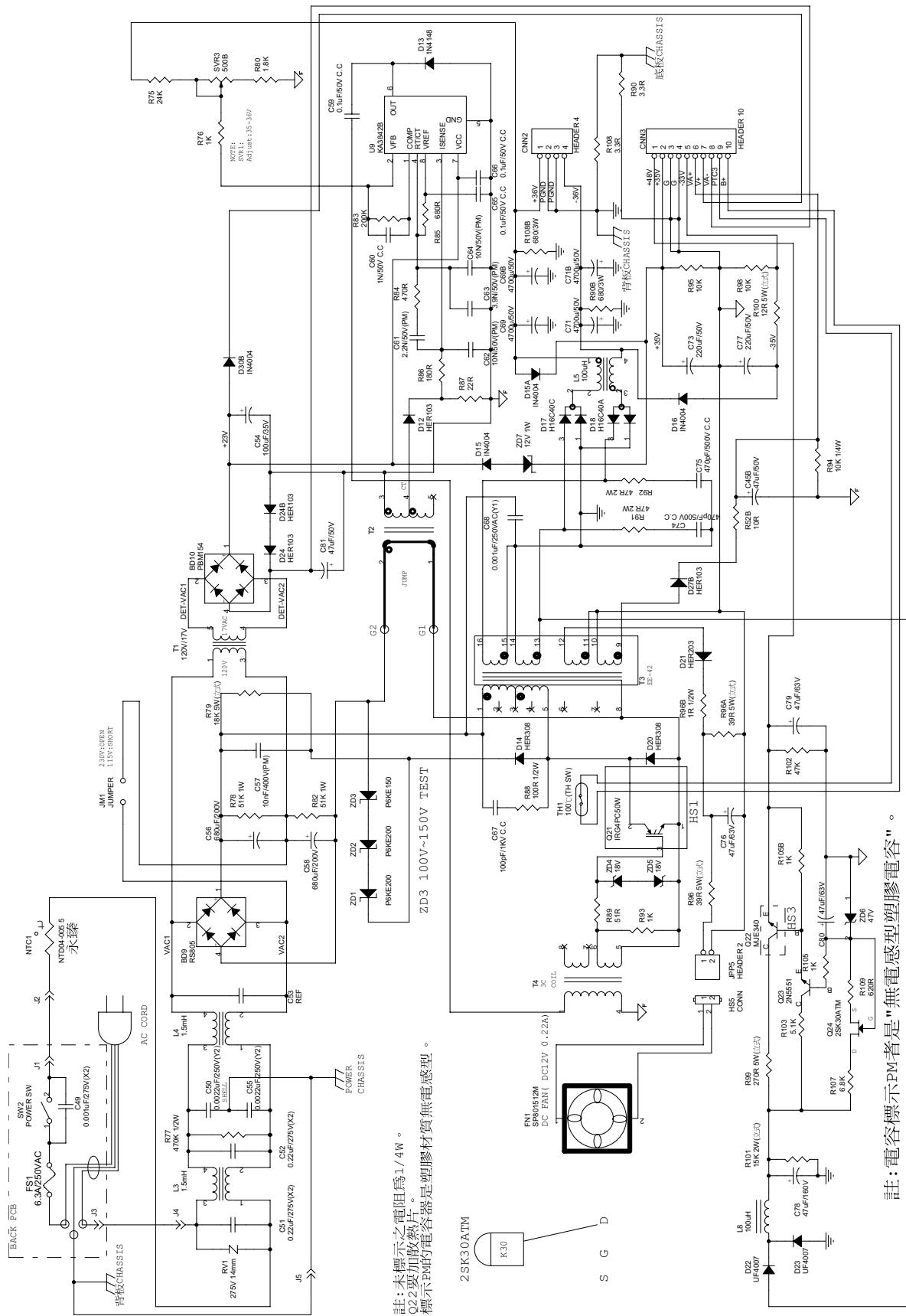


AMP\_R





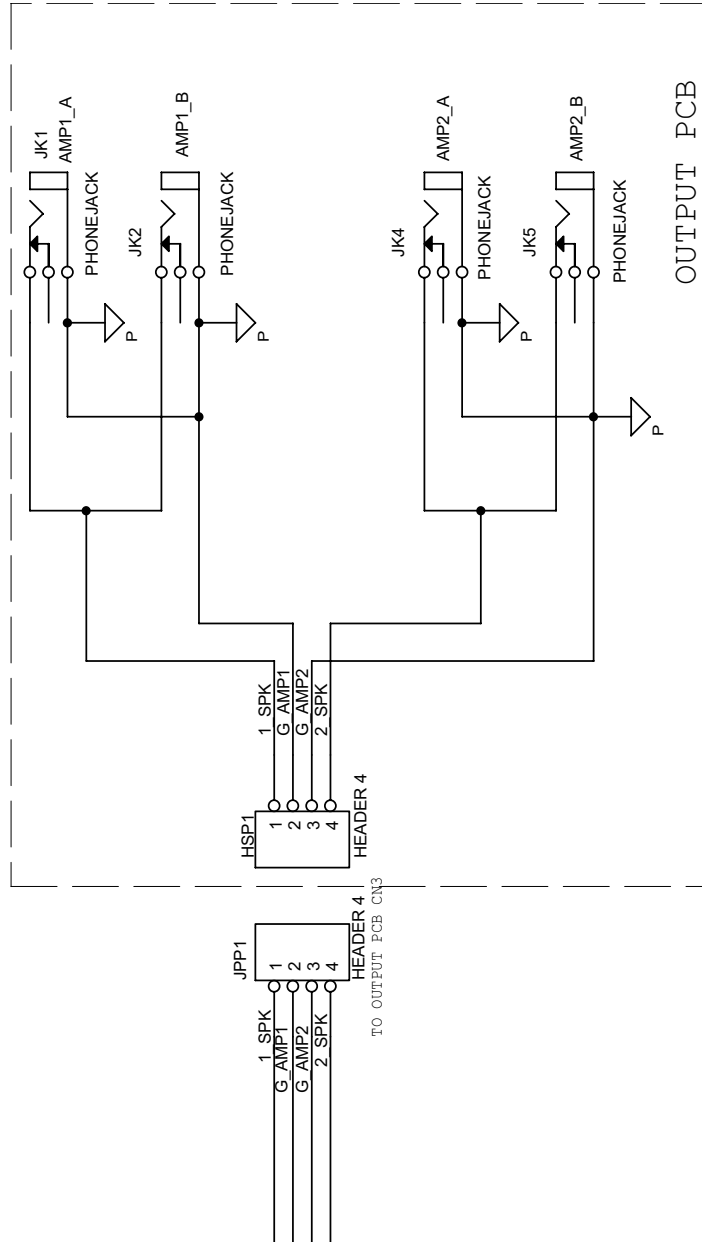
POWER SUPPLY



註：未標示之電阻為1/4W。  
Q2.2要加散熱片。  
標示PM的電容器是塑膠材質無電感型。

註：電容標示PM者是無電感型塑膠電容。

## OUT PCB



**POWER REQUIREMENT CLASSIFICATION**

<b>Phonic Part No.</b>	<b>Specifications</b>	<b>Ref.</b>
0C0063400000G	FUSE 4A 250V UL/CSA 5.2*20	UL
0F0081004700G	P/CORD 125V 10A UL	
0GC011000000G	STR. REL. BUSHING 6W3-4 R MAOHUI	
0F0261304400G	P/CORD 230V 13A BS	BS
0GC011000000G	STR. REL. BUSHING 6W3-4 R HUIMAO	
0K8000100100G	POWER LABEL (ONLY USED IN BS)	
0K8009200000G	WEEE LABEL 230/240V PET	
0C0060200000G	FUSE T2A 250V VDE/UL/CSA	
0F0271504200G	P/CORD 250V 15A SA	SA
0GC011000000G	STR. REL. BUSHING 6W3-4 R MAOHUI	
0C0060200000G	FUSE T2A 250V VDE/UL/CSA	
0F0110751800G	P/CORD 240V 7.5A SAA	SAA
0GC011000000G	STR. REL. BUSHING 6W3-4 R MAOHUI	
0C0060200000G	FUSE T2A 250V VDE/UL/CSA	
0F0151604300G	P/CORD 250V 16A IEC	IEC
0GC011000000G	STR. REL. BUSHING 6W3-4 R MAOHUI	
0K8009200000G	WEEE LABEL 230/240V PET	
0C0060200000G	FUSE T2A 250V VDE/UL/CSA	
0C0063500000G	FUSE 5A 250V UL/CSA/JIS 5.2*20	JIS
0F0241204600G	P/CORD 100V 12A JIS	
0GC011000000G	STR. REL. BUSHING 6W3-4 R MAOHUI	
0NH600000100G	CORD CONNECTOR C5 PINGU	
0C0063400000G	FUSE 4A 250V UL/CSA 5.2*20	MEXICO
0F0081004700G	P/CORD 125V 10A UL	
0GC011000000G	STR. REL. BUSHING 6W3-4 R MAOHUI	
0F0111004330G	P/CORD 220V 10A 2.5M 2P SVT	ARGENTINA
0GC011000000G	STR. REL. BUSHING 6W3-4 R MAOHUI	
0C0060200000G	FUSE T2A 250V VDE/UL/CSA	

## POWER PCB-PART LIST(10202001T020G)

Phonic Part No.	Specifications	Ref.
000104710000G	CF RES. 100 J 1/2W T26mm	R88
000103710010G	CF RES. 1K J 0.25W T	R76.93.105,105B
000105751020G	CF RES. 51K J 1W	R82.78
003029712070G	CEMENT RES. 12 ohm 5W VERTICAL	R100
000103710070G	CF RES. 10 J 0.25W T	R52B
000103718000G	CF RES. 180 J 1/4W T26mm	R86
003029727000G	CEMENT RES. 270 5W VERTICAL	R99
000103718010G	CF RES. 1K8 J 0.25W T	R80
000103720030G	CF RES. 200K J 0.25W T	R83
005006715020G	MOF RES. 15K J 2W M	R101
000103722070G	CF RES. 22 J 0.25W T	R87
005006747070G	MOF RES. 47J 2W +/-5%	R91.92
000103733080G	CF RES. 3.3 J 1/4W T26mm	R90.108
005007768000G	MOF RES. 680 J 3W P	R90B.108B
000103747000G	CF RES. 470 J 1/4W T	R84
006104547030G	MF RES. 470K F 1/2W T26mm	R77
000103747020G	CF RES. 47K J 0.25W T	R102
00A000950081G	NTC NTD04-005 5(YONGZHEN)15mm 5R	NTC1
000103751010G	CF RES. 5K1 J 0.25W T	R103
00C251050001G	R/V 500ohm 0.5W 3P AL	SVR3
000103751070G	CF RES. 51 J 1/4W T26mm	R89
000103762000G	CF RES. 620 J 0.25W T	R109
01003C206870G	E/C 680uF M 200V 25*36 P	C56.58
000103768000G	CF RES. 680 J 0.25W T	R85
000103768010G	CF RES. 6K8 J 0.25W T	R107
01033B104760G	E/C 47uF K 160V 13*21 T	C78
006103524020G	MF RES. 24K F 1/4W T26mm	R75
01J00H201020G	LINE/C 0.001uF M 400V Y1	C68
010334201070G	E/C 100uF M 35V 8*12 T	C54
01J22D202220G	LINE/C 0.0022uF M 250VAC Y2	C55.50
010335204760G	E/C 47uF M 50V 8*11 T	C81.45B
01J22E102240G	LINE/C 0.22uF K 275V P	C51.52
010336004760G	E/C 47uF J 63V 6*12 T	C76.79.80
020033003500G	COIL (THREE LAYERS INSULATION)	T4
017305401040G	ML/C 0.1MF Z 50V 5	C59.65.66
020033003700G	EI XMER 120V	T1
01930L101010G	C/C2 100pF K 1000V 5T	C67
020033003800G	EI COIL. RG160/260	T2
01930L104710G	C/C2 470pF K 1000V 5T	C74.75
020033007500G	XMER EMX2060S HIGH FREQUENCY TRANSFORMER EE-4	T3

POWER PCB-PART LIST(10202001T020G)

Phonic Part No.	Specifications	Ref.
01A305001020G	M/C 0.001uF J 50V 5T P	C60
030000000800G	CHOCK COIL TF5104 XIANYI	L3.4
01F336002220G	M.P/C 0.0022uF J 63V T	C61
01F00H101030G	M.P/C 0.01uF K 400V NONINDUCTIVE	C57
030100003800G	COIL L 100uH	L5
01F336001030G	M.P/C 0.01uF J 63V T(SQUARE PP)	C62.64
060000000500G	DIODE UF4007	D22.23
01F336003920G	MP/C 0.0039uF J 63V (SQUARE) T	C63
061011123000G	Z/DIODE 12V J 1W	ZD7
060000001100G	DIODE P6KE200A	ZD1.2
0610A1473000G	Z/DIODE 47V 0.5W 1N5261B	ZD6
060000001300G	DIODE H16C40C MOSPEC	D17
0610A2183000G	Z/DIODE 18V K 0.5W FAIRCH	ZD4.5
062000000100G	DIODE 1N4148	D13
060000001500G	DIODE H16C40A MOSPEC	D18
070000000500G	TRN 2N5551 TO-92-D BRAIDED	Q23
060000001700G	DIODE HER308	D14.20
072000000700G	TRF 2SK30A GR TO-92-D (TO)	Q24
0D02001S0220G	EMX1850S POWER PCB CEM-1	.
060000004300G	DIODE P6KE150A	ZD3
066000000100G	B/DIODE PB154 XULI	BD10
000103710020G	CF RES. 10K J 0.25W T	R94.95.98,R98,R94.95.98
066000000400G	B/DIODE PBU805 ZHUYI	BD9
01A308001020G	M/C 0.001uF J 100V 5T P	C76B
070100003900G	TRN MJE340 SOT32-D(ON/MO)	Q22
072000002100G	TRF IRG4PC50W TO-247-D(IR)	Q21
080000010500G	IC UC3842BN MINIDIP	U9
09A010000000G	TMP/SW TB02B 100 DEGREE C B TYPE	TH1
0AA000230000G	2P WAFER/S 5267 A2505 WV	JPP5
0AA100462600G	4P WAFER/P 380MM UL1015#18	CNN2
0AA101031000G	10P WAFER/P UL1007#26 380MM	
0G901M000100G	HEAT SINK 56.8*40*40 EMX1850S	
0G9069000100G	HEAT SINK(B) 15*10.7*40mm	
0J2000V00000G	TEMPERATURE SWITCH FIXED 8*23.6*2.8	
0L0430101000G	M/E PAN SCR. M3.0*10 NI D=5.5	
0L0530061000G	M/E SET SCR. M3.0*6 NI	
0L1530062000G	T/P SET SCR. M3.0*6 BLK	
0N0000000000G	TRANSISTOR WASHER TO-220 SHENGSH-ENG	
0N0000007100G	WASHER TO-3P	
0N1000008000G	GND LUG PC250 KANGYANG 17-836-01	GND

## POWER PCB-PART LIST(10202001T020G)

Phonic Part No.	Specifications	Ref.
0ND000200001G	BUSHES 602S(V.0)YONGZHEN 180 DEGREE	
0ND003005100G	PLA. WAS. D3*D7*0.5 NI	
0ND603010100G	SPR .WAS. D3*D5*1 NI	ALL
0NH147100200G	ZNR 470V	RV1
00302B710020G	CEMENT RES. 10K J 7W VERTICAL	R79
030000004200G	COIL 100UH	L8
060000001400G	DIODE HER103	D12.21.24,24B.27B,D12.24.24 B,27B
060000004600G	DIODE HER203	D21
010035404780G	E/C.4700UF/50V 25*30	C69.71.69B,71B.77,C69.71.69 B,71B
010335202270G	E/C 220UF 50V M 10*12MM	C73,C73.77
003029739070G	CEMENT RES. 39 J 5W VERTICAL	R96,R96,R96A
060000000700G	DIODE 1N4004 SILTEK T	D15.19B,30B,D15.16.19B,30B
005004710080G	MOF 1J 0.5W	R96B



**DSP PCB-PART LIST(10202000Y040G)**

<b>Phonic Part No.</b>	<b>Specifications</b>	<b>Ref.</b>
007200710020G	CHIP RES. 10K J 0603	WITH ON/OFF AND,FOOT SW WELD,R39;WITH ON,/ OFF&FOOT,SW WELD R40
007200700000G	CHIP RES. 0 J 0603	R65.118.64,119
014332201060G	MINI E/C 10uF M 16V T D3*H5	C1.35.38,28-30.47,50.56
007200710000G	CHIP RES. 100 J 0603	R38
014335201050G	MINI E/C 1uF M 50V T	C19
007200710010G	CHIP RES. 1K J 0603	R5.34.79,97.103
0A0002470000G	24P B.E./S SOCKET PH:1.27 SMD FEMALE	CN4
007200710020G	CHIP RES. 10K J 0603	R3.4.6.24,31-33.43,45-48.54,50-52.55,72.112.117, 104-107.,128.130,132.134,135. 137,139.36.37,126.82.100
0ND001620100G	CRYSTAL INSULATION BUSHES OA-6 YONGZHEN	Y3.4
007200710030G	CHIP RES. 100K J 0603	R59
0NH016004100G	CRYSTAL 16MHZ HC-49US XINGU	Y4
007200720080G	CHIP RES. 2 J 0603	R76
0NH020004100G	CRYSTAL 20MHz 49S	Y3
10002000Y040G	PM3000 DSP PCB SMD	
007200722010G	CHIP RES. 2K2 J 0603	R67
007200733070G	CHIP RES. 33 J 0603	R1.2.7-12,15.18.20.,22.23.25,28-30.42,44.49.61, 66.69.116,121.122
007200747020G	CHIP RES. 47K J 0603	R35
007200762070G	CHIP RES. 62 J 0603	R56
007210712000G	CHIP RES. 120 J 0805	R68
016465001000G	CHIP C/C 10PF J 50V 0603 X7R	C26.27
016465001010G	CHIP C/C 100PF J 50V 0603 X7R	C3
016465002000G	CHIP C/C 20P J 50V 0603 X7R	C39.40
030100000A00G	BEAD COIL 0805	L1.2
071100002100G	TRP BC856B SOT-23-M (PHI)	Q1.2
080100003100G	IC LD1117S33TR SOT-223-M REEL	U8
080101010800G	IC LM1117S-ADJ/TR SOT223	U3
084100000A5TG	MCU MSP430F1471IPM QFP-64(TI)	U1
084100000B00G	DSP TMS320VC5501PGF300	U2
085100000A00G	IC IS42S16100C1-7TL TSOP ICSI	U6
087100000A00G	IC TLV320AIC23BPW(TI)	U10
0D02000Y0400G	PM3000 DSP PCB FR4 1/1	

# PHONIC

---

## DSP PCB-PART LIST(10202000Y040G)

Phonic Part No.	Specifications	Ref.
016465201040G	CHIP C/C 0.1uF M 50V 0603	C2.6-12.14,22.34.37,43.44.15,7 5-86,88-92,C2.6-12.14, 15.22.34,37.43.44,75-86,88-92
007200722000G	CHIP RES. 220 J 0603	R13.14.16,17.19.21.,26.27.41,9 6.102,R13.14.16, 17.19.21,26.27.41,96.102. C13,16

**MASTER PCB-PART LIST(10202001A020G)**

<b>Phonic Part No.</b>	<b>Specifications</b>	<b>Ref.</b>
00C111050020G	T/VR 50K 0.1W D8 3M S	TVR801.802
000102710010G	CF RES. 1K J 1/8W T	R334.434,840.841,845
00D00G020022G	S.ROT/VR. 20KB 30MM P FUHUA	VR104.204,304.404,504.604, 801
000102710020G	CF RES. 10K J 1/8W T	R532.533,536.632,633.636,820 .842,843.844,856
00D00G020028G	S.ROT/VR 20KA L=30MM F=12MM	VR103.105,203.205,303.305,40 3.405,503.505,603.605, 803.804,807.808
000102710030G	CF RES. 100K J 1/8W T	R101.134,135.201,234.235,301 .401,501.601,822.828, 829.836,876
00D00G050028G	S.ROT/VR. 50KB(C.C) 30MM FUGUI	VR101.102,201.202,301.302,40 1.402,501.502,601.602
000102710040G	CF RES. 1M J 1/8W T26mm	R333.433
00J001220020G	D.SLD/VR. 20KW*2 20MM P FUHUA	VR901-907
000102710070G	CF RES. 10 J 1/8W T	R106.107,110.111,128.206,207. 210,211.228,306.307, 310.311,328.406,407.410,411.4 28,R506.507,510.511, 528.606,607.610,611.628
01J22D106830G	LINE/C 0.068uF K 250V SQUARE	C1
000102711010G	CF RES. 1K1 J 1/8W T	R911.912,915.916,919.920,923 .924,927.928,931.932,935.936
067001000100G	LED BL-B5141 RED BAIHONG	LED802.808,813
000102712020G	CF RES. 12K J 1/8W T	R801.802,874
067001000900G	LED L-704ID RED JINTAI 3*3 SQUARE	LED2
000102712030G	CF RES. 120K J 1/8W T26mm	R803.804,805.875,877
067004000000G	LED BL-B3141 YLW BAIHONG	LED806.807,811.812
000102715000G	CF RES.150 J 1/8W T	R112.212,312.412,512.612
067005000100G	LED BL-B2141 GRN BAIHONG	LED804.805,809.810
000102718010G	CF RES. 1K8 J 1/8W T	R846
067007000000G	LED 204UBD D3 BLUE YIGUANG	LED801
000102718020G	CF RES. 18K J 1/8W T	R513.538,613.638,857
067024000300G	LED L-740YD YLW 3*3 SQUARE	LED1
000102722000G	CF RES. 220 J 1/8W T26mm	R813.814
080000001200G	IC AN6884 DIP (MA)	IC810.811
000102722010G	CF RES. 2K2 J 1/8W T	R806.807
080000010100G	IC TL074CN DIP(TI/ST)	U901-904
000102722020G	CF RES. 22K J 1/8W T	R335.435,808.809,873.
080001007000G	IC NJM4580L DIP(JRC)	IC801-805,807,101-108

## MASTER PCB-PART LIST(10202001A020G)

Phonic Part No.	Specifications	Ref.
000102727020G	CF RES. 27K J 1/8W T	R129.130,131.229,230.231,329 .330,331.429,430.431, 529.530,531.629,630.631
091020200100G	SLD/SW 2P2T 180 DEGREE H=19MM	SW802
000102733020G	CF RES. 33K J 1/8W T	R534.535,634.635,832.834
091020300000G	SLD/SW 2P3T 180 DEGREE H=19MM	SW801
000102736020G	CF RES. 36K J 1/8W T26mm	R872
092010100200G	PSH/SW PA-03S-A1 XINJU	POWER SW
000102743010G	CF RES. 4K3 J 1/8W T26mm	R816.817
092020100000G	PSH/SW 2P2T FUHUA SFPC12MC03-PF	SW101.201,301.401
000102747010G	CF RES 4.7K J 1/8W T	R132.133,232.233,870.871.
09F000001100G	ROT/ENC.SW XRE0122PVB30FINB1-2	SW804
000102747020G	CF RES. 47K J 1/8W T	R810.811
0A0002470100G	24P B.E./S SOCKET PH:1.27 SMD MALE	JP7
000102756000G	CF RES. 560 J 1/8W T26mm	R823.830,831
0A1000410000G	4P RCA/J RL-1414 4DB	JK802
000102768010G	CF RES 6.8K J 1/8W T	R120.121,220.221,320.321,420 .421,520.521,620.621, 901.902,905.906
000102768020G	CF RES. 68K J 1/8W T26mm	R903.904,907-910,913.914,917 .918,921.922,925.926, 929.930,933.934
0A2007010100G	6D3/J M203A-2 KUNYI	JK1-5
000102782010G	CF RES. 8K2 J 1/8W T26mm	R113.124,125.213,224.225,313 .324,325.413,424.425, 524.525,624.625
000102782020G	CF RES. 82K J 1/8W T	R126.226,326.426,526.626
0A4003000400G	XLR/J SKCA229-1K3F2 DIGONG	JK101.201,301.401,501.601
000102791010G	CF RES. 9K1 J 1/8W T	R538A.638A
0AA100231100G	2P WAFER/P 480MM UL1007#26	JP5
000103739000G	CF RES. 390 J 0.25W T	R104.204,304.404,504.604
0AA100461600G	4P WAFER/P 200MM DAWANG UL1015#22	CN1
000103768000G	CF RES. 680 J 0.25W T	R838.839
0AA100960300G	9P WAFER/P 700MM UL1007#26	JP2
006102512020G	MF RES 12K F 1/8W T	R118.119,218.219,318.319,418. 419,518.519,618.619
0B0000000900G	7-SEG/LED MLS-3203BHR1-B15 GONG-YANG	LED3
006102522010G	MF RES. 2K2 F 1/8W T26mm	R116.117,216.217,316.317,416. 417,516.517,616.617
0C1000000100G	FUSE CLIP FH-1206 MAOHUI	KK

**MASTER PCB-PART LIST(10202001A020G)**

<b>Phonic Part No.</b>	<b>Specifications</b>	<b>Ref.</b>
006102547010G	MF RES. 4K7 F 1/8W T26mm	R108.109,208.209,308.309,408 .409,508.509,608.609
0N8000556200G	LED HOUSING LED3-8 PINGU	LED3
006102568010G	MF RES. 6K8 F 1/8W T26mm	R102.103,202.203,302.303,402 .403,502.503,602.603
0N8000636200G	LED HOUSING LED3-13 PINGU	ALL LED*12
006102582010G	MF RES. 8K2 F 1/8W T26mm	R114.115,214.215,314.315,414. 415,514.515,614.615
0N8001356200G	LED BOSS-9 LEDS-9 KANGYANG	LED1.2
010331404770G	E/C 470uF Z 10V 8*11 T	C108.208,308.408,508.608
0ND000008000G	XLR/J FIBER WAS. T0.8	ALL MIC,JACK
010333401060G	E/C 10uF Z 25V 5*11 T	C112.120,121.212,220.221,312 .412,512.520,521.524, 612.620,621.624,815- 817,822.881,C882.899
10102001A020G	POWERPOD620 V3 MASTER PCB A/I	
010333401070G	E/C 100uF Z 25V 8*11 T	C879.880,883.884
010333402260G	E/C 22uF Z 25V 5*11 T	C801.802,803.831,832.875,877 .878,885.886
0A2007010020G	6D3/J JY-6351-02-130 JIETAI	K302.402,502.503,602.603,801 .803,804.805,806
010333404760G	E/C 47uF Z 25V 5*11 T	C119.219,319.419,519.619,813 .814,827.828,839.868, 903.904
0A2007020720G	6D3/J JY-6351T*0c-030 JIETAI	JK102.202
013346001060G	LN E/C 10uF J 63V 6*11 T	C102.103,202.203,302.303,402 .403,502.602,503.603
000102722020G	CF RES. 22K J 1/8W T	R336.436
013346404760G	LN E/C 47MF Z 63V 8*11 T	C101.201,301.401,501.601
017362002240G	ML/C 0.22uF J 16V 5T P	C921.922
017365008230G	ML/C 0.082uF J 50V 5 T	C911.912
017365101530G	ML/C 0.015MF 50V K AL	C933.934
017365101540G	ML/C 0.15MF K 50V 5	C925.926
017365102230G	ML/C 0.022uF K 50V X7R AL T	C915.916
017365105630G	ML/C 0.056uF K 50V CC5MM AL T	C929.930
017365108220G	ML/C 0.0082UF K 50V CC5MM AL T	C937.938
017365401050G	ML/C 1MF Z 50V 5 P	C913.914,917.918
017368101020G	ML/C 0.001UF 100V 10% X7R AL T	C927.928
017368102220G	ML/C 0.0022uF 100V 10%NPO AL T	C923.924
019365001010G	C/C2 100PF J 50V 5T P	C109.110,111.117,209.210,211. 217,309.310,311.317, 409.410,411.417,509.510,511.5 17,C321.421,522.609,

## MASTER PCB-PART LIST(10202001A020G)

Phonic Part No.	Specifications	Ref.
019365002210G	C/C2 220PF J 50V 5 T	610.611,617.622,869 C823
019365002700G	C/C2 27PF J 50V 5 T	C118.218,318.418,518.618,894
019365004700G	C/C2 47PF J 50V 5T P	C523.623,901.902
019365004710G	C/C2 470PF J 50V 5T P	C104-107,204-207,304- 307,404-407,504-507,604-607, 931.932
019365006800G	C/C2 68PF J 50V 5T P	C824.825
019365101000G	C/C2 10PF K 50V 5 T	C804.805,806.898
019365101020G	C/C2 0.001uF K 50V 5T P	C126.226,326.426,527.627
019365101510G	C/C2 150PF K 50V T	C935.936
019365103310G	C/C2 330PF K 50V T	C819.820
019365201030G	C/C2 0.01uF M 50V 5T P	C122-125,322-325,525.526,625 .626,628.629,807-812, 871-874,320A.321A,907-910
019365201040G	C/C2 0.1uF M 50V 5T P	C320.420
01A305001230G	M/C 0.012uF J 50V 5T P	C919.920
01A305001820G	M/C 0.0018uF J 50V 5T P	C116.216,316.416,516.616
01A305103330G	M/C 0.033UF K 50V T	C113.213,313.413,513.613
070001001010G	TRN KTC3200 KEC(INSTEAD 2SC2240)	Q101.102,201.202,301.302,401 .402,501.502,601.602
0D02001A0000G	MASTER PCB POD620X V3	
0F7000500610G	TINNER WIRE 5MM D0.6	
0F7000750600G	TINNER WIRE 7.5MM D0.6	
0F7001000600G	TINNER WIRE 10MM*D0.6	
0F7001250600G	TINNER WIRE 12.5MM D0.6	
0F7001500600G	TINNER WIRE 15MM*D0.6	
0F7002000600G	TINNER WIRE 20MM D0.6	

**WOOD CASE -PART LIST**

<b>Phonic Part No.</b>	<b>Specifications</b>	<b>Ref.</b>
0G7026000200G	HANDLE PLASTIC (METAL INSIDE) 210mm	
0G8018000C00G	FEET D25*D20*16T BLK POD408	
0J2007502000G	HANDLE FIXED HARDWARE	
0L0250242000G	M/E BID SCR. M5*24 BLK	HANDLE*2
0L2230122000G	W/O BID SCR. M3.0*12 BLK	CONTER*16
0L3000102000G	W/O PAN SCR. D4.0*20 BLK	FEET*4
0M0704000100G	FORCER NUT M4 WHITE IRON	
0M0705000100G	FORCER NUT M5 WHITE IRON	
0NG500020010G	0.8*54 GX K12B	
0NG600000000G	CLIP IRON	
0NGA18000000G	BOARD 4"*8"*18MM FLAKEBOARD	
0NGB00000000G	WHITE EMULSION PT-3670	
0NGB00002100G	YELLOW GLUE SPRAYING 15kg/BARREL	
0NGC30000000G	STRAIGHT NAIL F30	
0R2000000200G	PACKING TAPE TRANSPARENT 60MM*33Y	

## MISCELLANEOUS ITEMS

Phonic Part No.	Specifications	Ref.
0E5000001200G	FAN 80*80*15 DC12V 320mm	
0G001L00000FG	PANEL MATERIAL POD602X V3	
0G101M00000FG	BACKPANEL POD620 PLUS V1	
0F5140035000G	M.WIRE UL1015#20 350MM BLK	GROUNDING SILICON-STEEL SHEET
0F5452010000G	M.WIRE UL1617#18 100MM RED	
0G002R000000G	PANEL POD620 PLUS	
0G101M000000G	BACK PANEL POD620 PLUS V1	
0G501F000000G	SILICON-STEEL SHEET 405*210 POD620 V1	
0GB00C000000G	LED ACRYLIC LAENS PM2000/2500	
0H0023001200G	R/KNOB D12.25*18mm GREY	MAIN*1,MONI TOR*1
0H0023003200G	R/KNOB D12.25*18mm GREY	LEVEL*6
0H0039002200G	R/KNOB GREY BODY+BLUE CAP	EFX*6,EFX,MASTER*1
0H0039003200G	R/KNOB GREY BODY+WHT CAP	TAPEIN*1,AUXIN*1
0H0039004200G	R/KNOB GREY BODY+BLUE/GREY CAP	FOR HIGH*6,LOW*6
0H0039005200G	R/KNOB GREY BODY+BLK CAP	MON*6
0H2008001200G	P/KNOB 13.5*10.5*10.5H BLK	POWER/SW*1
0H2041000200G	P/KNOB 5.8*5.8*8 431C+WHT	ALL P/SW*4
0J1001104000G	RT BRKT POWERPOD7/615/1060/740	
0J1001204000G	L-TYPE BRKT POWERPOD7	
0J1007700000G	FRONT LF BRKT	
0J1007800000G	BACK LF BRKT	
0J2001104200G	ADHESIVE FIXED FW-5D-3M PINGU	PCB-A*3
0K1005L00000G	COLOR BOX POD620 PLUS V1	
0K2000600000G	PULP PANEL 1032*581MM FIVE LAYERS CORRUGATED CARTON	LOWER RIGHT-HAND CORNER*1,UPPER RIGHT-HAND CORNER*1,UPPER LEFT-HAND CORNER*1,LOWER LEFT-HAND CORNER*1
0K6000400000G	PE BAG #10 240*340*0.05	
0K6000900000G	PE BAG 850*650*0.05 REQUIRE HOLING	
0K8000200100G	SERIAL NO. LABEL IN TRIPLICATE	PAD ON,BACK PANEL,G/B CARTON
0K8000600100G	GND LABEL MAR2	GROUNDING LABEL
0K8008300000G	BARCODE LABEL PHONIC IN TRIPLICATE	
0K8009300000G	INDICATE LABEL BLUE D=8MM	
0K9020018100G	OWN MANU POD620/740 PLUS	
0L0430081000G	M/E PAN SCR. M3.0*8 NI D=5.3	PANEL *5,FRONT PANEL&PCB*6,BACK&PCB*7
0L0430201000G	M/E PAN SCR. M3*20 NI	SETUP FAN*4
0L0530061000G	M/E SET SCR. M3.0*6 NI	LOCK SW POWER,PCB*6
0L0530062000G	M/E SET SCR. M3.0*6 BLK D=6.3	
0L0530081000G	M/E SET SCR. M3.0*8 NI	LOCK AMPLIFIED BOARD



**MISCELLANEOUS ITEMS**

<b>Phonic Part No.</b>	<b>Specifications</b>	<b>Ref.</b>
0L0530082000G	M/E SET SCR. M3.0*8 D=6 BLK	PCB B-A*11
0L0540162000G	M/E SET SCR. M4.0*16 BLK	FIXED LF,BRKT*4,FIXED,RT BRKT*4
0L1430081000G	T/P PAN SCR. M3*8 NI D=5.3	FIXED PANEL,XLR/J*12
0L1530081000G	T/P SET SCR. D3.0*8 NI	FOR RCA,JACK
0M0003020100G	HEX. NUT M3.0*2.0 NI	
0N4000000200G	CABLE TIE HW-100MM	FIXED WIRE*9
0N80000Q1000G	PCB BOSS M3*57MM	AMPLIFIED BOARD&,BACK
0N80000S6300G	HEX BOSS M3.0*12MM	FIXED POWER SUPPLY BOARD
0N8000246300G	BOSS 15+5	POWER SW*2
0N8000606200G	SPACER SUPPORT H-16 PINGU	FIX PCB&,PANEL *11
0N8001296300G	BOSS COPPERRING L=6.0	
0NB001806620G	SPEC FIXED PIN PINGU SR-2 WHT	BACK PANEL LABELED VOLT- AGE
0ND003005810G	FIBER WAS. D3*D8*0.5 RED	FIXED PCB*11,POWER BOARD*5
0ND003010810G	FIBER WAS. D3.0*8*1 RED	
0ND209010100G	TOOTH WAS. D9*12*1 NI	ALL,6D3/J *13
0ND604010100G	PAN SPR. WAS. D4*D7.6*1.0 NI	GND
0NG1000A4100G	ALUMINUM-FOIL INSULATION 7-SEG DIGI- TAL	
0NG1000B4100G	MYLAR INSU 7-SEG DIGITAL	
0NG1000V4100G	42*105 MYLAR	
0NG200080000G	HEMELON 24*12	SW801.802
0NG200220000G	HEMELON 10*10	LED*3
0NG200240000G	HEMELON 36*10MM	FOR,SILIDER,VR*7,FOR LED*2
0K8001800010G	LABEL D25 BLK HAOSHENG	
0L2230122000G	W/O BID SCR. M3.0*12 BLK	SILICON-STEEL SHEET*8
0K6003800000G	PE BAG 300*110*0.05	ADD POWER SUPPLY CORD
0L0540101000G	M/E SET SCR. M4*10 NI	PANEL&LR,BRKT*6,FIXED GROUNDING LUG*1,BACK PANEL,AND L-TYPE FIXED RACK*2,HEAT,SINK&,L- RACK*4,BRKT*6,L- RACK*4,PANEL&LR,SINK&, AND L-TYPE FIXED PLUG*1,BACK PANEL,RACK*2,HEAT
0N1000000000G	LUG D4 FOR GROUNDING	GROUNDING LUG*1,GROUNDING SILICON- STEEL SHEET*1
0ND304005000G	TOOTH WAS. D4.0*D8.5*0.5 ZN	GROUNDING LUG*1,GROUNDING SILICON- STEEL SHEET*1

## AMP PCB-PART LIST(10202001T010G)

Phonic Part No.	Specifications	Ref.
000103710080G	CF RES. 1 J 1/4W T26mm	R31.31A
007210510010G	CHIP RES. 1K F 0805	R33.33A
000103710000G	CF RES. 100 J 1/4W T	R30.30A.59
000104739000G	CF RES. 390 0.5W P	R65
007210522010G	CHIP RES. 2K2 F 0805	R29.29A
010332101070G	E/C 100uF K 16V 5*11 T	C31.34.37,40
003016715000G	CEMENT RES. 150 J 2W AL	R55
007210530010G	CHIP RES. 3K F 0805	R12.12A
010332204760G	E/C 47uF M 16V 5*11 T	C32
003016715070G	CEMENT RES. 15 J 2W AL	R70B
007210547020G	CHIP RES. 47K F 0805	R15.15A
010332401060G	E/C 10uF Z 16V 5*11 T	C2.2A.3.3A,5.5A.10,10A.11,11A ,25,25A.30,35
003029710070G	CEMENT RES. 10 J 5W U (VERTICAL)	R70.70C,70A
010332402260G	E/C 22uF Z 16V 5*11 T	C21.21A
007210582010G	CHIP RES. 8K2 F 0805	R25.25A
005105710070G	MOF RES. 10 J 1W T	R21.21A,35,35A
007210710000G	CHIP RES. 100 J 0805	R4.4A.37,37A.60B
010333201060G	E/C 10uF M 25V 5*11 T	C42.47
005105739070G	MOF RES. 39 + - 5% 1W N	R44
007210710010G	CHIP RES. 1K J 0805	R6.6A.8.8A,11.11A,22,22A,27.2 7A,49,61B.66,68
010334201070G	E/C 100uF M 35V 8*12 T	C13.13A.39,41,46
008000Z00003G	CDS CDS1000 RONGFA	CDS1.1A
007210710020G	CHIP RES. 10K J 0805	R42.45.46,53.60.61,64,71
010335402260G	E/C 22uF Z 50V 6*11 T	C37B
009000Z10070G	PTC 100Ω-200Ω MZ6-101RT85B	PTC1.2
012332102250G	NP E/C 2.2uF K 16V 5*11 P	C8.8A
007210710030G	CHIP RES. 100K J 0805	R9A.9
00C261020010G	T/VR. 2K 0.3W D5 3M S	SVR1A.1
007210710070G	CHIP RES. 10 J 0805	R36.36A
012332401070G	NP E/C 100uF Z 16V 8*11 T	C29
010032402282G	E/C 2200uF 50V 31*18	C19.19A,27,27A
007210715020G	CHIP RES. 15K J 0805	R47.48.62
017368102210G	ML/C 220PF 100V 10% NPO AL T	C15.15A
010332202270G	E/C 220UF M 16V 8*12 P	C41B
007210718030G	CHIP RES. 180K J 0805	R41
040102180700G	INDUCTANCE 18uH K	LA1.1A
01F008104740G	M.P/C 0.47uF K 100V NONINDUCTIVE	C23.23A
007210720020G	CHIP RES. 20K J 0805	R67
040102620900G	INDUCTANCE 0.62uH K	L2.2A

**AMP PCB-PART LIST(10202001T010G)**

<b>Phonic Part No.</b>	<b>Specifications</b>	<b>Ref.</b>
007210727020G	CHIP RES. 27K J 0805	R54.64B,67B
01F336001020G	MP/C 0.001uF J 63V T (SQUARE)	C6.7.6A.7A
050021024001G	RELAY SH-224DM3M(4-1419124-5)	K1
007210733010G	CHIP RES. 3K3 J 0805	R7.7A.10,10A.19.19A,26.26A
062000000110G	DIODE 1N4148 T52mm	D7
060000000700G	DIODE 1N4004 SILTEK T	D25A.25,26,26A
007210733020G	CHIP RES. 33K J 0805	R5.5A
070000000200G	TRN 2N3904 DIP ON BRAIDED	Q7.10.18,18B
067001000100G	LED BL-B5141 RED BAIHONG	LED1.1A
070000000500G	TRN 2N5551 TO-92-D BRAIDED	Q19.20.20B
007210739010G	CHIP RES. 3K9 J 0805	R40.50.63
070005005000G	TRN TIP31C TO-220-D(FA/ST)	Q9.13
007210739020G	CHIP RES. 39K J 0805	R18.18A
071000000400G	TRP 2N5401 TO-92-D BRAIDED	Q1-3.6.8,11.12,1A-3A,16,17
071005003700G	TRP TIP32C TO-220-D(ST)	Q15
01F008102040G	M.P/C 0.2uF K 100V NONINDUCTIVE	C26.26A
007210743020G	CHIP RES. 43K J 0805	R58
072000000A00G	MOSFET IRFB23N20DPBF TO-220	Q4.4A.5.5A
007210747010G	CHIP RES. 4K7 J 0805	R69
0800000085A0G	IC ML7815A-FBE TO220	U6
007210747020G	CHIP RES. 47K J 0805	R24.24A.51,52
080000008690G	IC L7915/AN7915T TO220	U8
007210747080G	CHIP RES. 4.7 J 0805	R1A.1.2.2A,13.13A,20,20A,23 .23A
080001000740G	IC L7805CV TO-220(ST)	U5
007210768010G	CHIP RES. 6K8 J 0805	R3.3A
0AA000230100G	2P WAFER/S TJC3-2A PH=2.5MM	
007210768020G	CHIP RES. 68K J 0805	R39
0AA000460000G	4P WAFER/S A3963WV2-4P DAWANG	CNN5
007210782010G	CHIP RES. 8K2 J 0805	R32A.32
0AA000930000G	9P WAFER/S 2532-09 PH=2.5MM	
007220747000G	CHIP RES. 470 J 1206	R17.17A
0AA001030100G	10P WAFER/S 2532-10 HUAYI	
007220791080G	CHIP RES. 9.1 J 1206	R28A.28,34A.34
0G901K000100G	HEAT SINK 90*42*15(A) WITH 11 HOLES	
016465001010G	CHIP C/C 100PF J 50V 0603 X7R	C1.4.1A.4A
0G901L000100G	HEAT SINK 90*42*15(B) WITH 7 HOLES	
016465001030G	CHIP C/C 0.01uF J 50V 0603 X7R	C36B.20,20A.24.24A
0L0430101000G	M/E PAN SCR. M3.0*10 NI D=5.5	
016465001040G	CHIP C/C 0.1uF J 50V 0603 X7R	C33.28.38B
0L0530061000G	M/E SET SCR. M3.0*6 NI	

# PHONIC

---

## AMP PCB-PART LIST(10202001T010G)

Phonic Part No.	Specifications	Ref.
016465004700G	CHIP C/C 47PF J 50V 0603 X7R	C38
0N0000000000G	TRANSISTOR WASHER TO-220 SHENGSH- ENG	
016465004730G	CHIP C/C 0.047uF J 50V 0603	C36
0ND000200001G	BUSHES 602S(V.0) YONGZHEN 180 DE- GREE	
016465103310G	CHIP C/C 330PF K 50V 0603	C9.9A
0ND003005100G	PLA. WAS. D3*D7*0.5 NI	
016568001510G	CHIP C/C 150PF J 100V 0805	C12.12A
0ND603010100G	SPR .WAS. D3*D5*1 NI	
060100000K00G	DIODE MURS120	D5B-E
0611A2133000G	Z/DIODE 13V K 0.5W SMD	DZ4.7.8
0611A2562000G	Z/DIODE 5V6 K 0.5W SMD	DZ1A.1.6.9
01F008101041G	M.P/C 0.1uF K 100V AL NONINDUCTIVE	C16.16A.17,17A.18.18A,22.22A
080100001B00G	IC IRS20124S SOIC-14	U4.4A
080100001D00G	IC SN74AHC1G04DCKR SC70	U2.2A
080101007200G	IC NJM5534M SMD(JRC)	U1.1A.3.3A
0D02001S0300G	EMX1850S AMP PCB CEM-1	
062100000000G	DIODE 1N4148 SMD	D1-5.1A-5A,8.8B,8.8B,D1-5.1A- 5A,D8A

**PHONIC**  
[WWW.PHONIC.COM](http://WWW.PHONIC.COM)