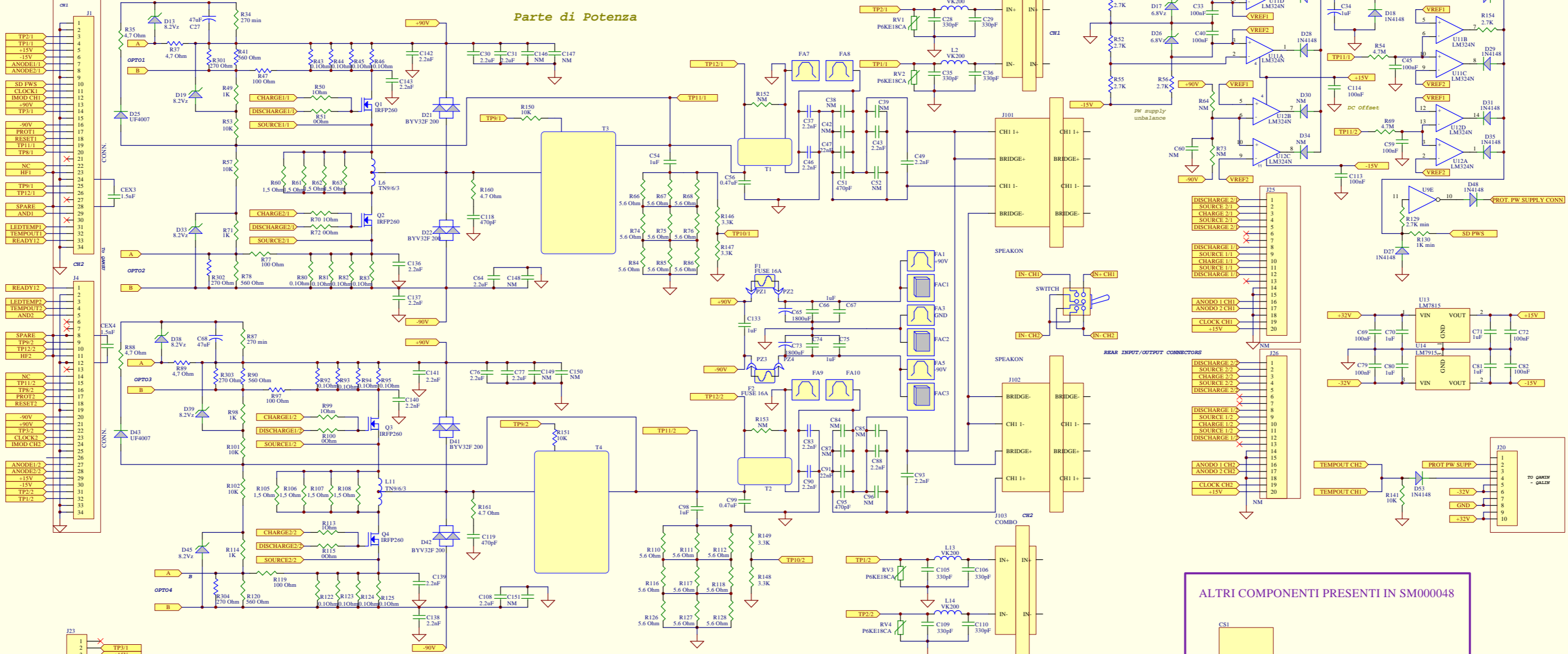


Pinout table for the IC:

FP1	000m	FP15	000m
FP2	000m	FP16	000m
FP3	000m	FP17	000m
FP4	000m	FP18	000m
FP5	000m	FP19	000m
FP6	000m	FP20	000m
FP7	000m	FP21	000m
FP8	000m	FP22	000m
FP9	000m	FP23	000m
FP10	000m	FP24	000m
FP11	000m	FP25	000m
FP12	000m	FP26	000m
FP13	000m	FP27	000m
FP14	000m	FP28	000m
FP15	000m	FP29	000m
FP16	000m	FP30	000m
FP17	000m	FP31	000m
FP18	000m	FP32	000m
FP19	000m	FP33	000m
FP20	000m	FP34	000m
FP21	000m	FP35	000m
FP22	000m	FP36	000m
FP23	000m	FP37	000m
FP24	000m	FP38	000m
FP25	000m	FP39	000m
FP26	000m	FP40	000m
FP27	000m	FP41	000m
FP28	000m	FP42	000m
FP29	000m	FP43	000m
FP30	000m	FP44	000m
FP31	000m	FP45	000m
FP32	000m	FP46	000m
FP33	000m	FP47	000m
FP34	000m	FP48	000m
FP35	000m	FP49	000m
FP36	000m	FP50	000m
FP37	000m	FP51	000m
FP38	000m	FP52	000m
FP39	000m	FP53	000m
FP40	000m	FP54	000m
FP41	000m	FP55	000m
FP42	000m	FP56	000m
FP43	000m	FP57	000m
FP44	000m	FP58	000m
FP45	000m	FP59	000m
FP46	000m	FP60	000m
FP47	000m	FP61	000m
FP48	000m	FP62	000m
FP49	000m	FP63	000m
FP50	000m	FP64	000m
FP51	000m	FP65	000m
FP52	000m	FP66	000m
FP53	000m	FP67	000m
FP54	000m	FP68	000m
FP55	000m	FP69	000m
FP56	000m	FP70	000m
FP57	000m	FP71	000m
FP58	000m	FP72	000m
FP59	000m	FP73	000m
FP60	000m	FP74	000m
FP61	000m	FP75	000m
FP62	000m	FP76	000m
FP63	000m	FP77	000m
FP64	000m	FP78	000m
FP65	000m	FP79	000m
FP66	000m	FP80	000m
FP67	000m	FP81	000m
FP68	000m	FP82	000m
FP69	000m	FP83	000m
FP70	000m	FP84	000m
FP71	000m	FP85	000m
FP72	000m	FP86	000m
FP73	000m	FP87	000m
FP74	000m	FP88	000m
FP75	000m	FP89	000m
FP76	000m	FP90	000m
FP77	000m	FP91	000m
FP78	000m	FP92	000m
FP79	000m	FP93	000m
FP80	000m	FP94	000m
FP81	000m	FP95	000m
FP82	000m	FP96	000m
FP83	000m	FP97	000m
FP84	000m	FP98	000m
FP85	000m	FP99	000m
FP86	000m	FP100	000m



J23 E J24 SONO PAD DI ANCORAGGIO PER QSCHV14

