


THIS DOCUMENT CONTAINS PROPRIETARY INFORMATION WHICH IS THE PROPERTY OF QSC AUDIO PRODUCTS, THAT MAY NOT BE DISCLOSED, REPRODUCED OR USED WITHOUT EXPRESS WRITTEN CONSENT FROM QSC AUDIO PRODUCTS.

2. COMPONENTS WITH VALUE PREFIXED WITH A "*" REPRESENT SMT COMPONENTS.
 1. THIS DRAWING USED IN CONJUNCTION WITH ASSEMBLY WP-000405-XX.
 NOTES: UNLESS OTHERWISE SPECIFIED

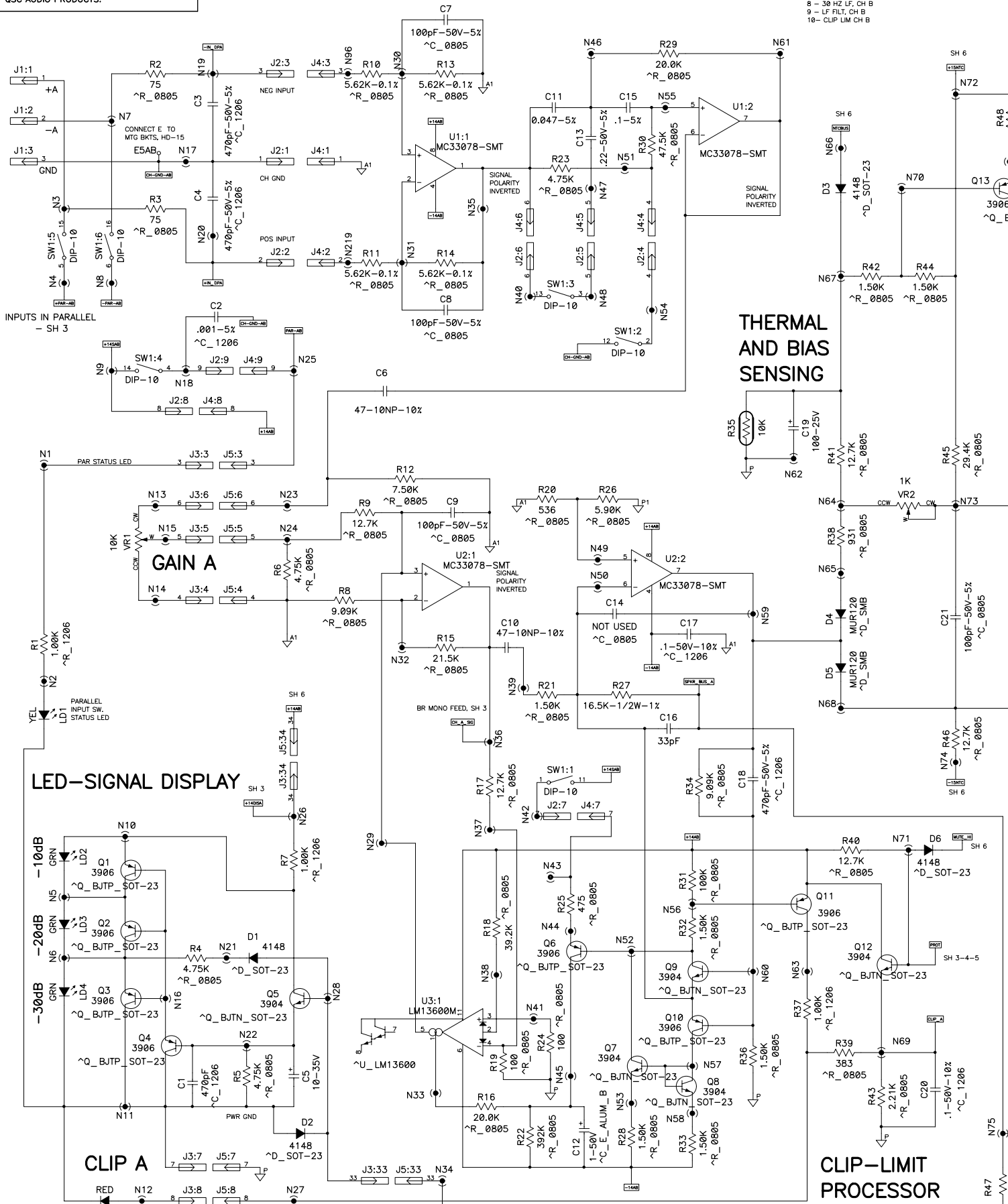
TABULATION BLOCK		
DASH NO.	F1	R321, 322, 326, 328
-00 (120V)	25A, 125V	487K
-01 (100V)	30A, 125V	392K
-02 (230V)	15A, 250V	487K

QTY	ITEM NO.	PART NO.	DESCRIPTION	VENDOR
PARTS LIST				
UNLESS OTHERWISE SPECIFIED DIMENSIONS ARE IN INCHES. DIMENSIONS PER ANSI Y14.5-1982 TOLERANCES ARE: DECIMALS DECIMALS ANGLES .XX ± .XXX ± ° DEBURR EDGES .XXX R MAX MATERIAL			CONTRACT NO.	
FINISH			 AUDIO PRODUCTS, INC. COSTA MESA, CALIFORNIA	
APPLICATION			SCHEMATIC DIAGRAM CX 404	
WP-000405-XX	CX 404		APPROVALS DRAWN PAT QUILTER 9-29-99 CHECKED W. RULAND 11-5-99 ISSUED T. SHOOK 11-9-99 CAD SEED FILE NO.	SIZE D FSCM NO. DWG NO. SH-000405-00 REV
NEXT ASSY	USED ON		PLOT DATE: Thu May 04, 2000 SCALE NONE CAD FILE NO. SH0405-B.sch SHEET 1 OF 7	P:\TANGOPROV\PLC DERIVATIVES\PLC-4CH

REV. 1 SH-000405-00 DWG NO.

THIS DOCUMENT CONTAINS PROPRIETARY INFORMATION WHICH IS THE PROPERTY OF QSC AUDIO PRODUCTS, THAT MAY NOT BE DISCLOSED, REPRODUCED OR USED WITHOUT EXPRESS WRITTEN CONSENT FROM QSC AUDIO PRODUCTS.

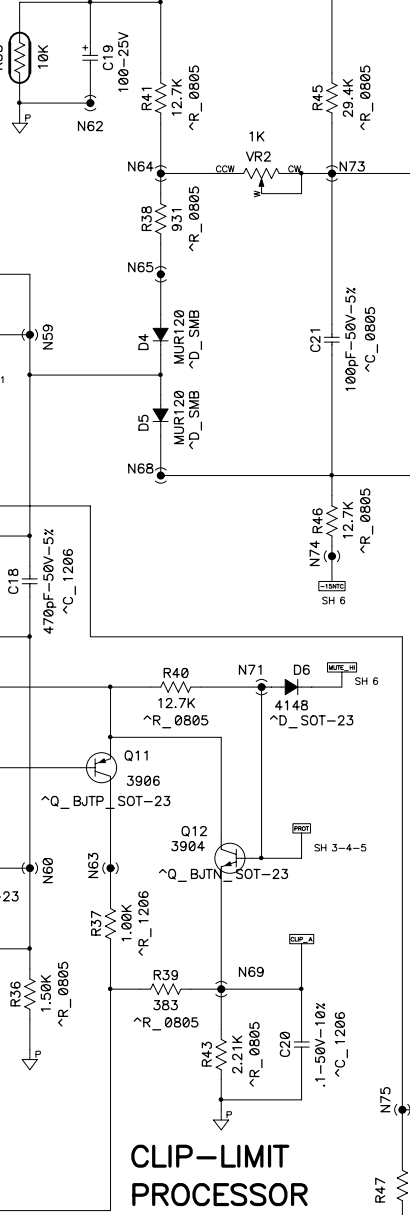
INPUT AND FILTER SECTION, CH A



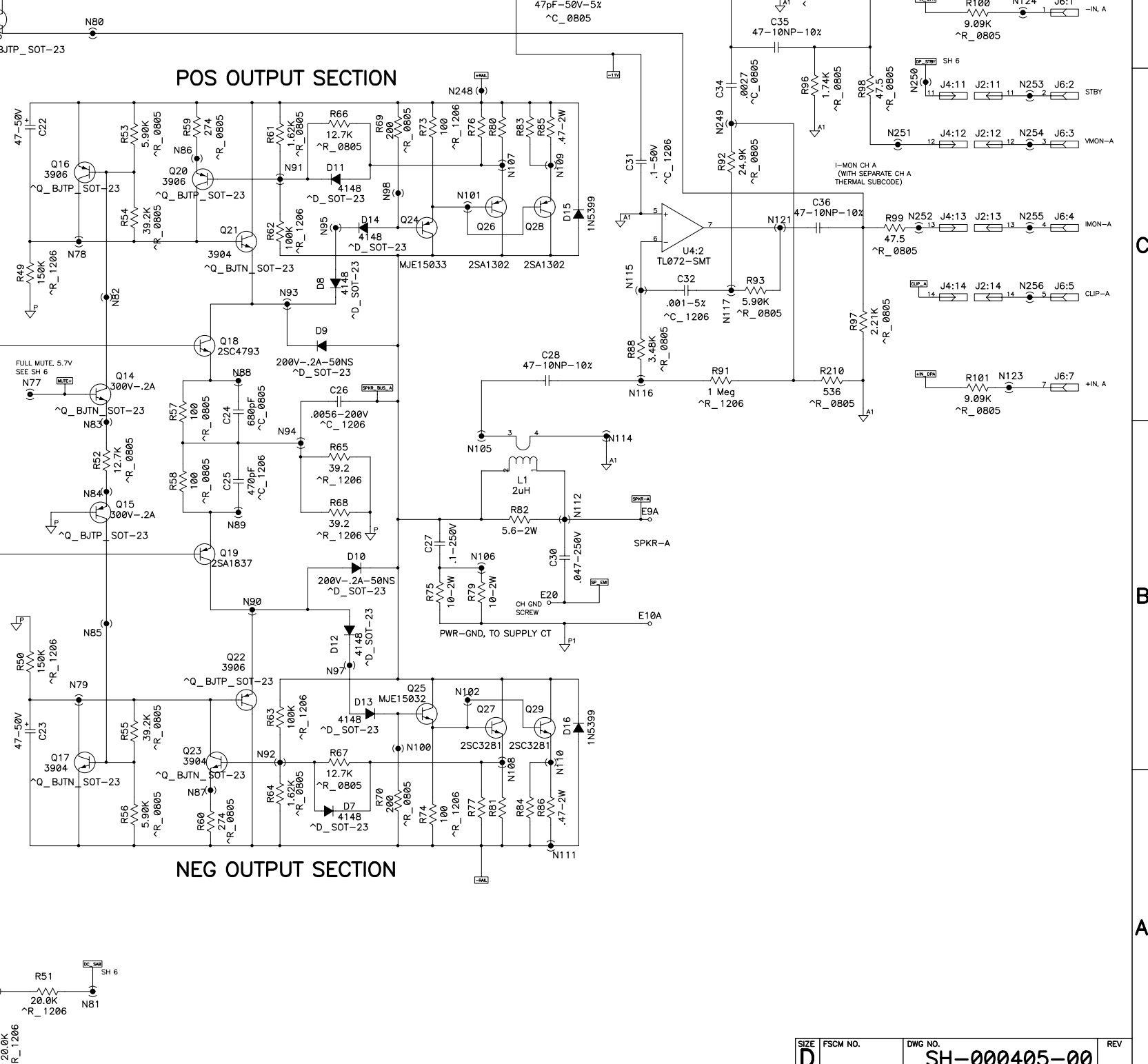
DIP SWITCH TABLE, 10-POS

- 1 - CLIP LIM, CH-A
- 2 - LF FILT, CH-A
- 3 - 30 HZ LF, CH-A
- 4 - PAR INPUT LED
- 5 - PAR INPUTS, +
- 6 - PAR INPUTS, -
- 7 - BR MONO
- 8 - 30 HZ LF, CH B
- 9 - LF FILT, CH B
- 10 - CLIP LIM CH B

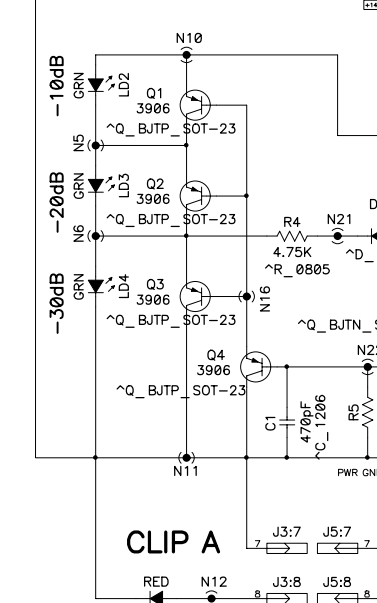
THERMAL AND BIAS SENSING



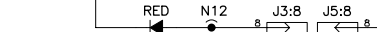
CH A V-MON, I-MON



LED-SIGNAL DISPLAY



CLIP A



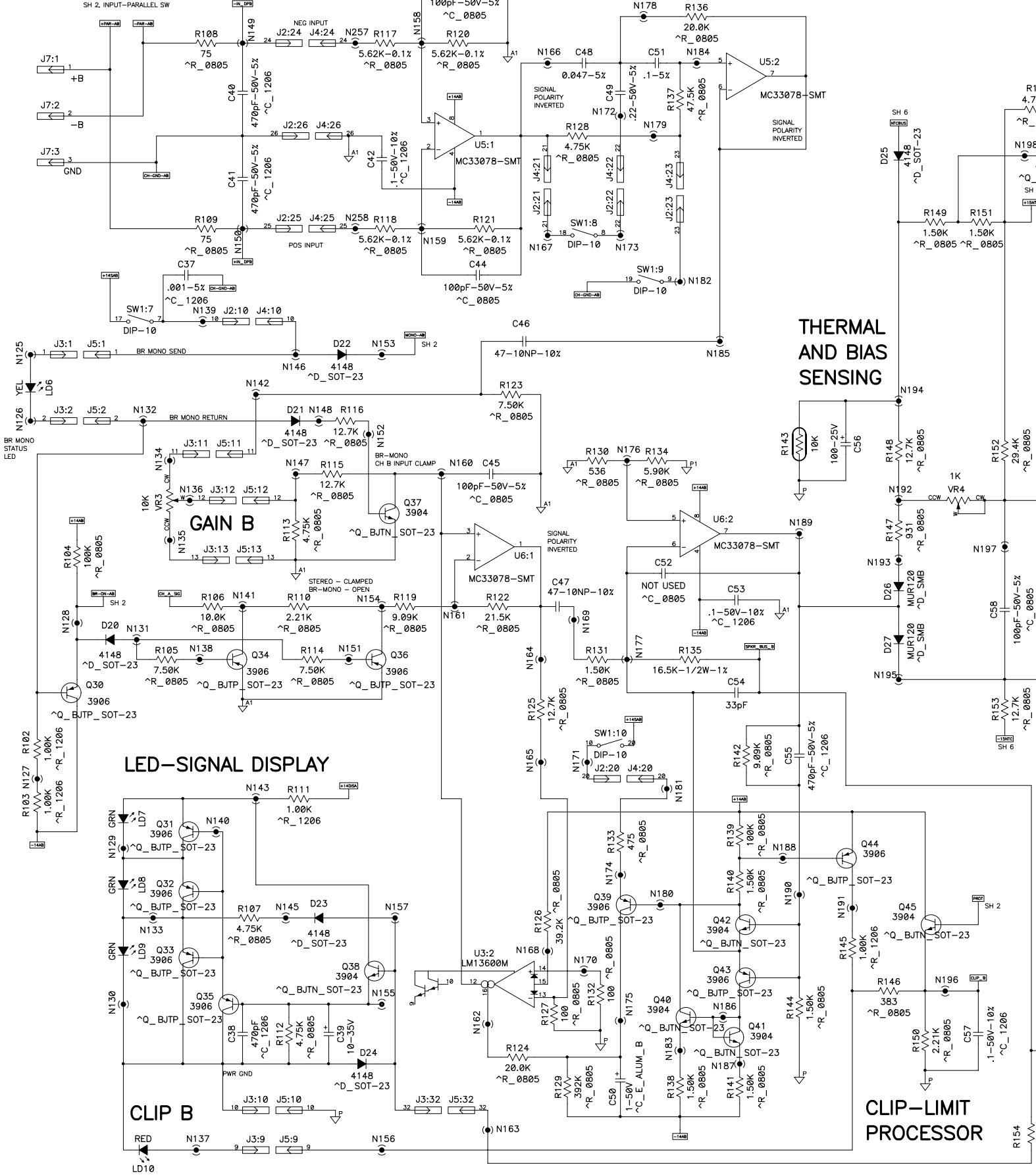
CLIP-LIMIT PROCESSOR



THIS DOCUMENT CONTAINS PROPRIETARY INFORMATION WHICH IS THE PROPERTY OF QSC AUDIO PRODUCTS, THAT MAY NOT BE DISCLOSED, REPRODUCED OR USED WITHOUT EXPRESS WRITTEN CONSENT FROM QSC AUDIO PRODUCTS.

INPUT AND FILTER SECTION, CH B

- DIP SWITCH TABLE, 18-POS
- 1 - CLIP LIM CH-A
 - 2 - LF FILT, CH-A
 - 3 - 30 HZ LF, CH-A
 - 4 - PAR INPUT LED
 - 5 - PAR INPUTS, +
 - 6 - PAR INPUTS, -
 - 7 - BR MONO
 - 8 - 30 HZ LF, CH B
 - 9 - LF FILT, CH B
 - 10 - CLIP LIM CH B

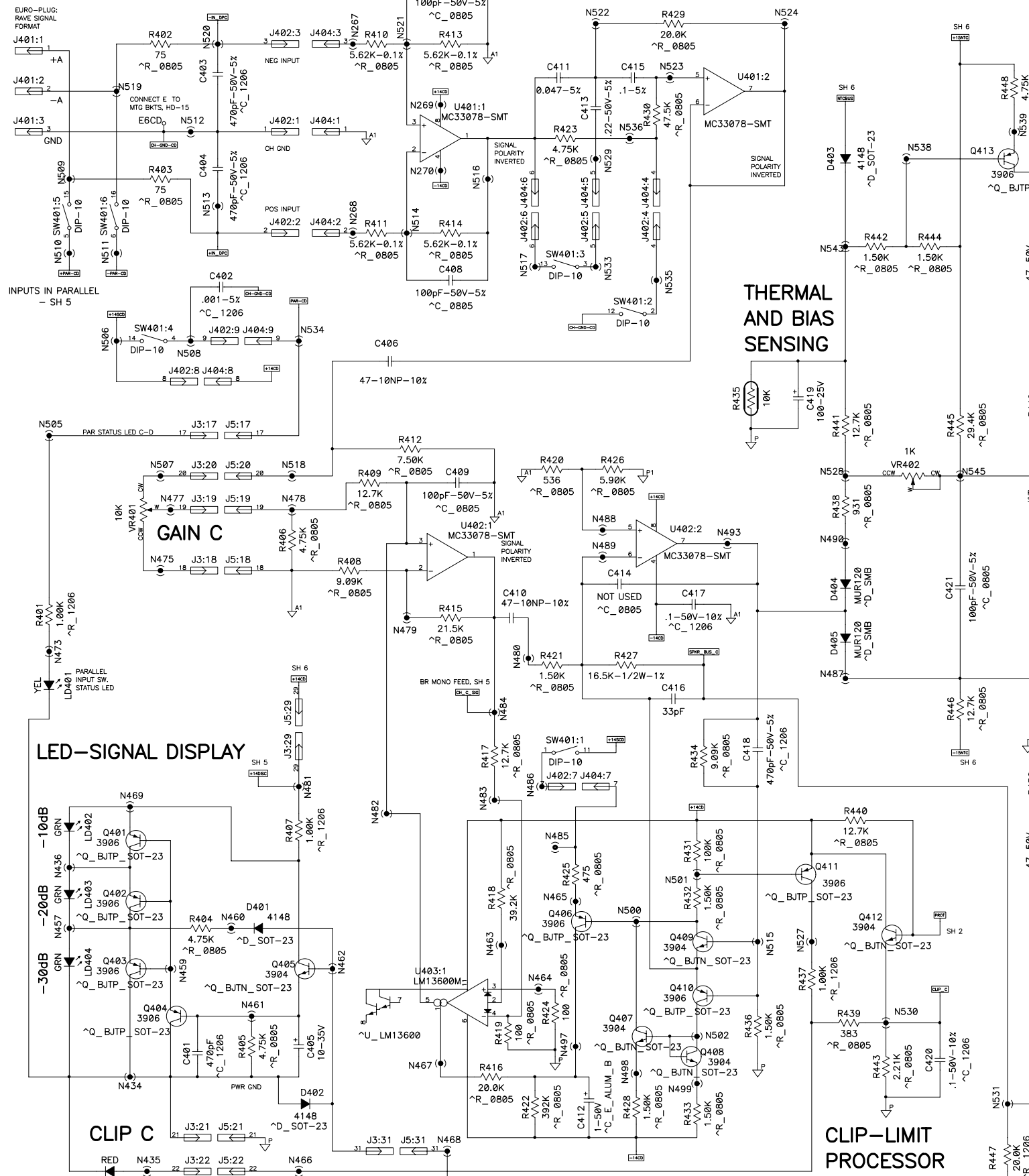


THIS DOCUMENT CONTAINS PROPRIETARY INFORMATION WHICH IS THE PROPERTY OF QSC AUDIO PRODUCTS, THAT MAY NOT BE DISCLOSED, REPRODUCED OR USED WITHOUT EXPRESS WRITTEN CONSENT FROM QSC AUDIO PRODUCTS.

INPUT AND FILTER SECTION, CH C

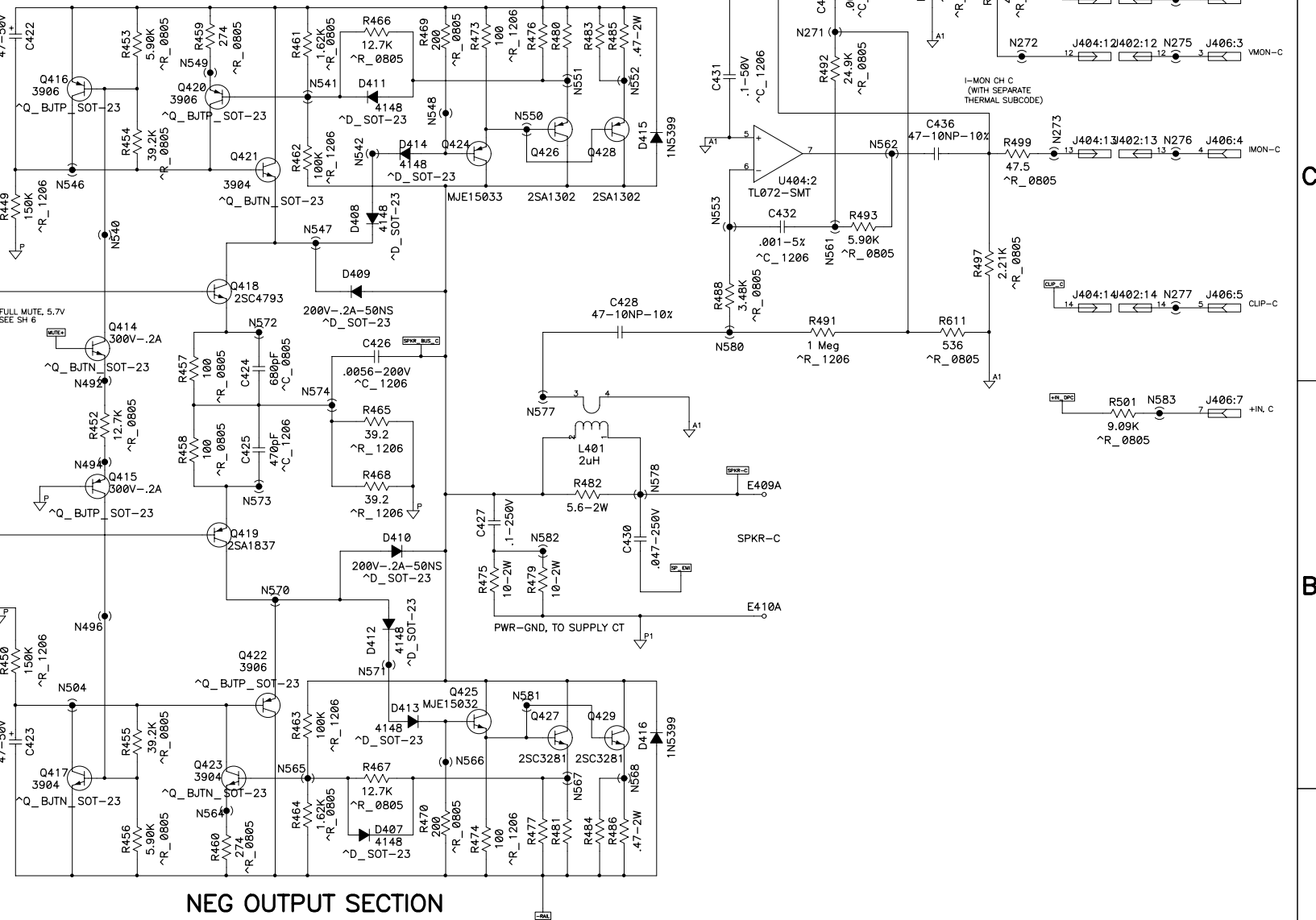
DIP SWITCH TABLE, 10-POS

- 1 - CLIP LIM, CH-A
- 2 - LF FILT, CH-A
- 3 - 30 HZ LF, CH-A
- 4 - PAR INPUT LED
- 5 - PAR INPUTS, +
- 6 - PAR INPUTS, -
- 7 - BR MING
- 8 - 30 HZ LF, CH B
- 9 - LF FILT, CH B
- 10 - CLIP LIM CH B



CH C, V-MON, I-MON

POS OUTPUT SECTION

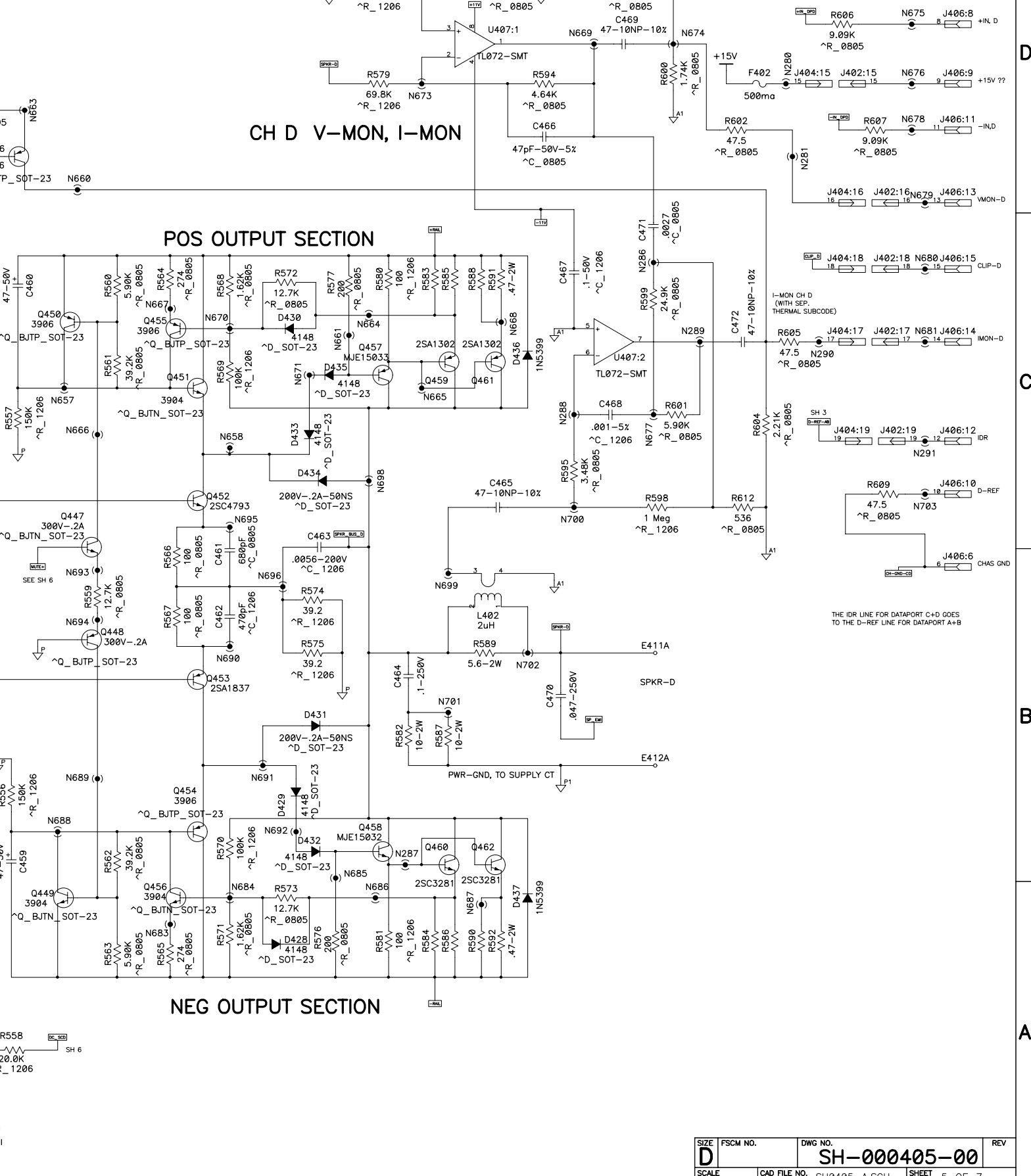
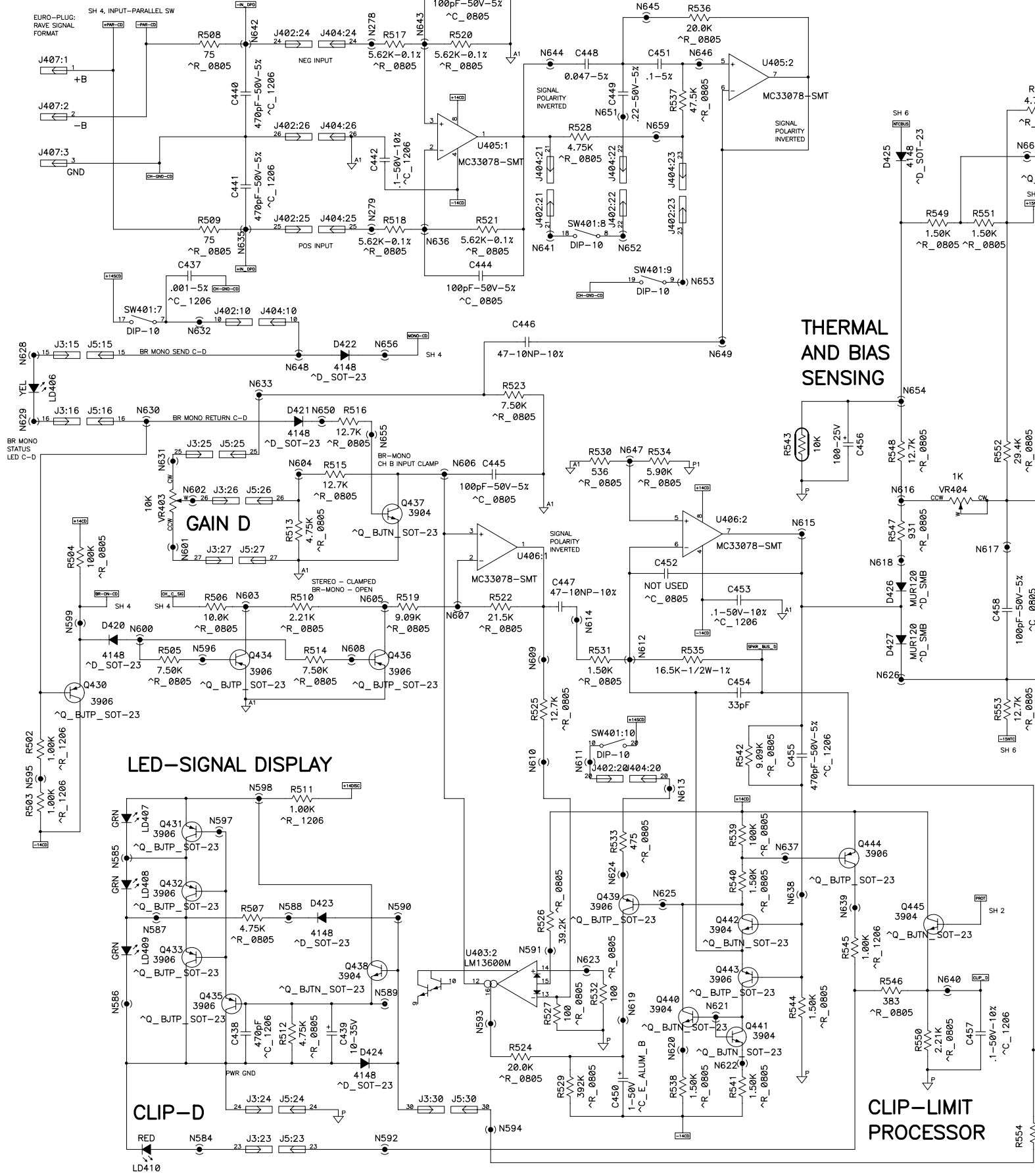


NEG OUTPUT SECTION

THIS DOCUMENT CONTAINS PROPRIETARY INFORMATION WHICH IS THE PROPERTY OF QSC AUDIO PRODUCTS. THAT MAY NOT BE DISCLOSED, REPRODUCED OR USED WITHOUT EXPRESS WRITTEN CONSENT FROM QSC AUDIO PRODUCTS.

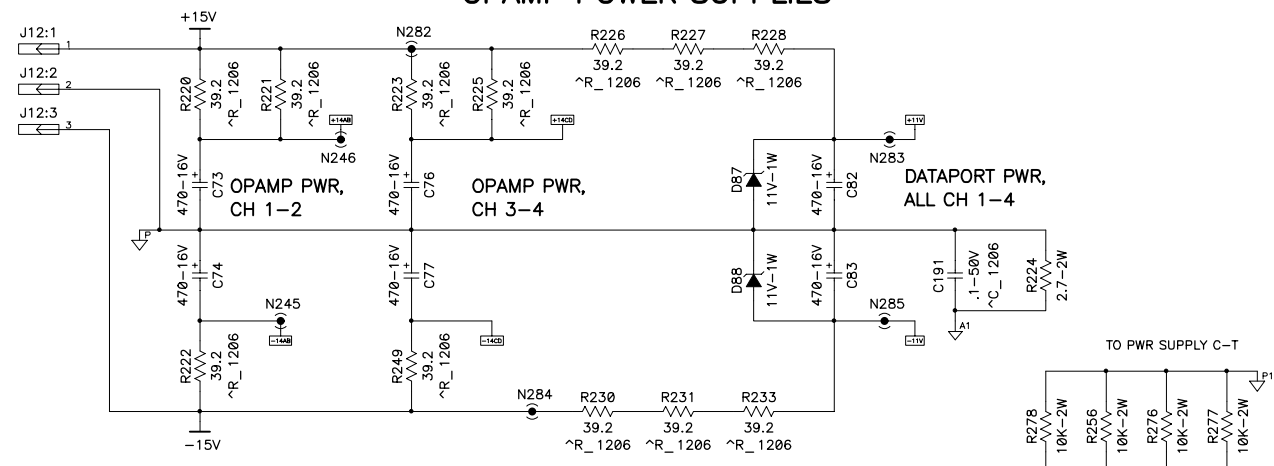
INPUT AND FILTER SECTION, CH D

- DIP SWITCH TABLE, 10-POS
- 1 - CLIP LIM, CH-A
 - 2 - LF FILT, CH-A
 - 3 - 30 HZ LF, CH-A
 - 4 - PAR INPUT LED
 - 5 - PAR INPUTS, +
 - 6 - PAR INPUTS, -
 - 7 - BR MONO
 - 8 - 30 HZ LF, CH B
 - 9 - LF FILT, CH B
 - 10 - CLIP LIM CH B

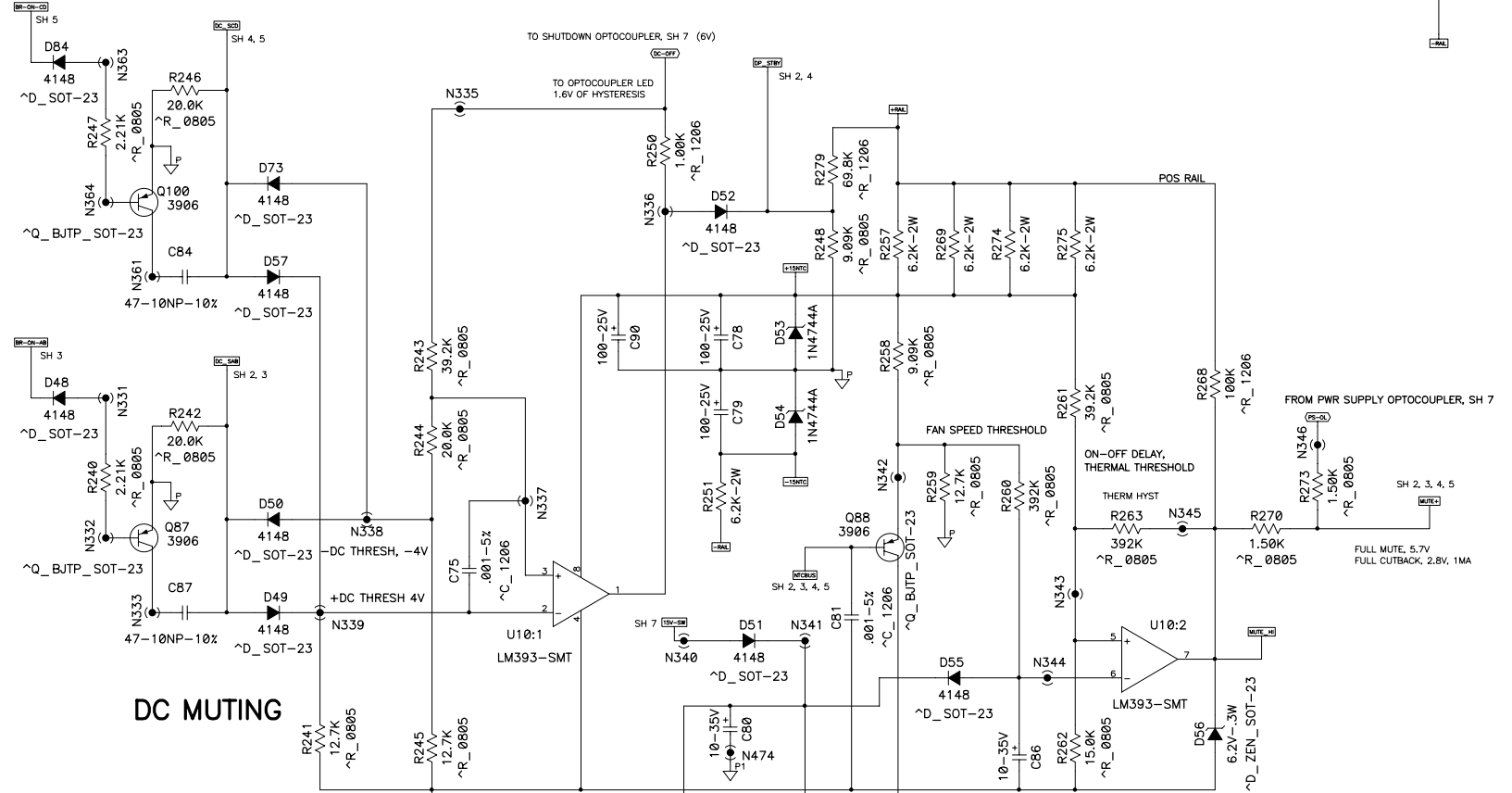


THIS DOCUMENT CONTAINS PROPRIETARY INFORMATION WHICH IS THE PROPERTY OF QSC AUDIO PRODUCTS, THAT MAY NOT BE DISCLOSED, REPRODUCED OR USED WITHOUT EXPRESS WRITTEN CONSENT FROM QSC AUDIO PRODUCTS.

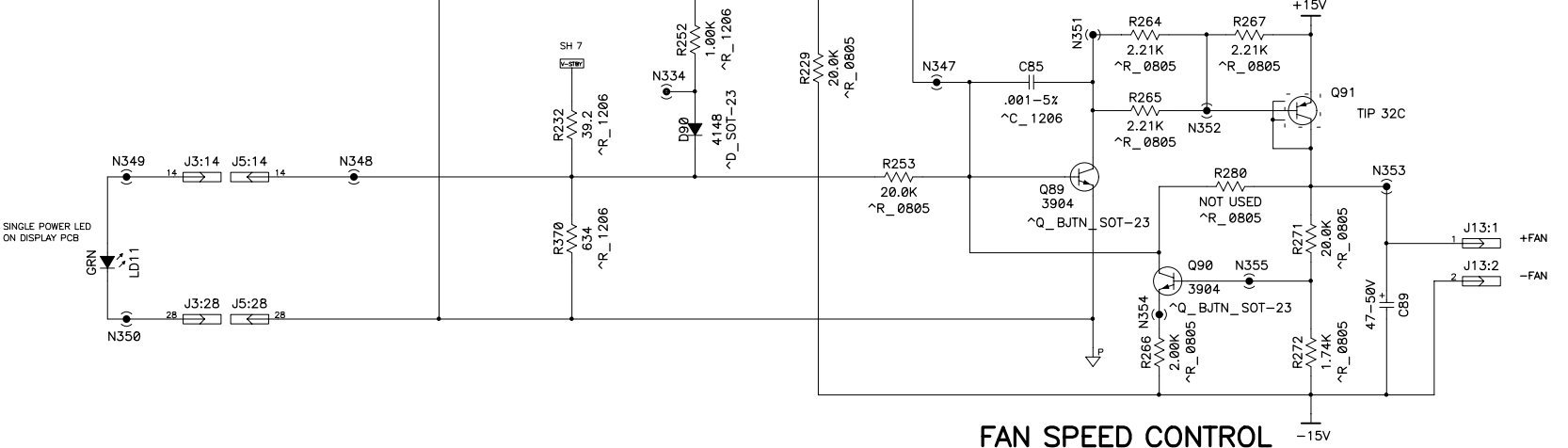
OPAMP POWER SUPPLIES



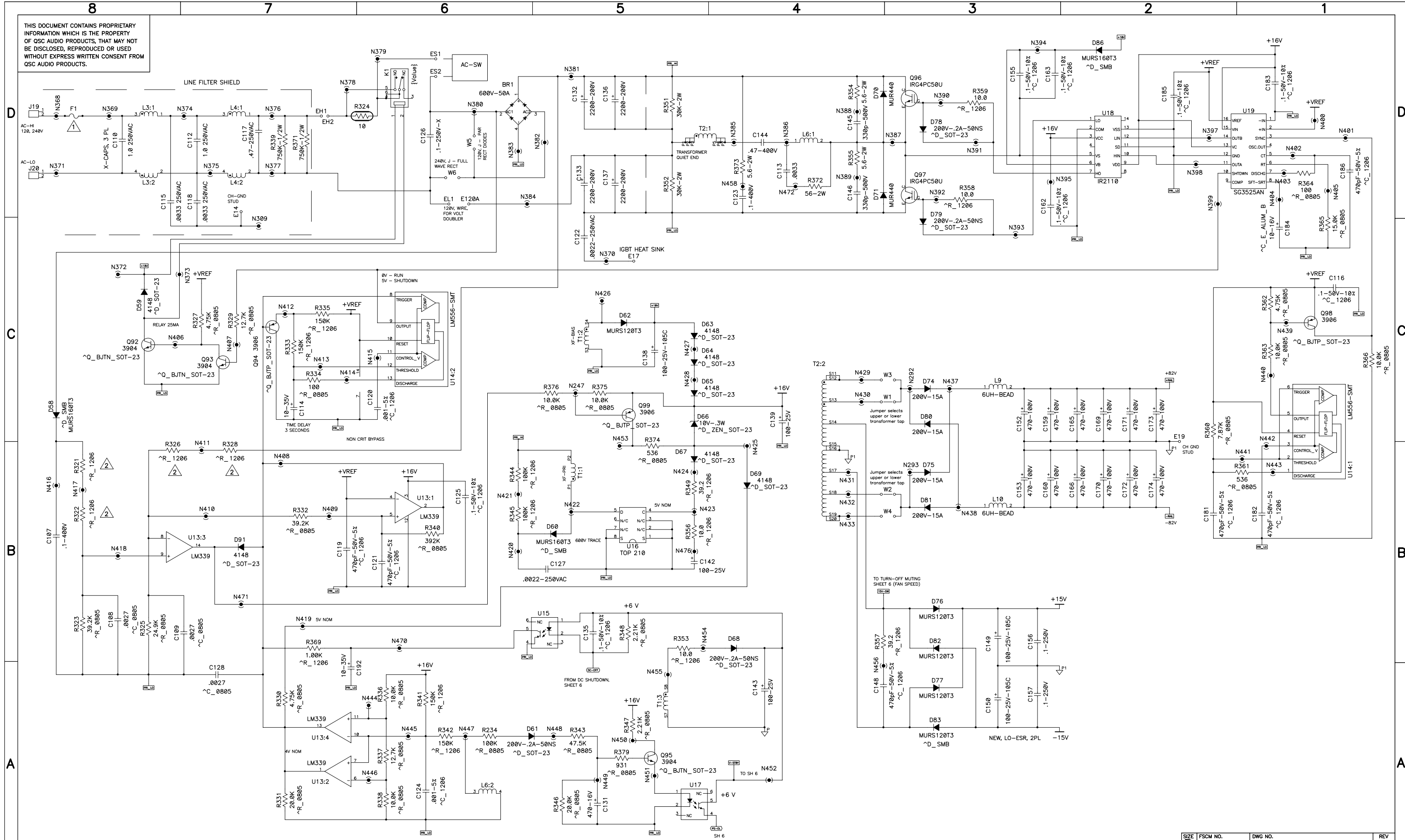
DC MUTING



FAN SPEED CONTROL



THIS DOCUMENT CONTAINS PROPRIETARY INFORMATION WHICH IS THE PROPERTY OF QSC AUDIO PRODUCTS. THAT MAY NOT BE DISCLOSED, REPRODUCED OR USED WITHOUT EXPRESS WRITTEN CONSENT FROM QSC AUDIO PRODUCTS.





A U D I O

CX 404 Replacement Parts

QSC part #	Description	Qty.	Notes or Component Reference
Misc.			
CH-000122-00	COVER, PLC	1	
CO-000111-00	CONN PLUG 3-PIN EURO GRN	4	
CO-000176-00	TERM SPADE SNAP #6 10/12AWG	16	
TD-000077-00	OWNERS MANUAL CX 2CH 2RU	1	
WC-000139-00	CORD SET 3 COND 15A 125VAC	1	(100V & 120V models)
WC-000054-00	CORDSET 3-COND 220-230 VAC 10A	1	(230V models)
WP-000404-00	CHASSIS ASSY, CX 404 (120V)	1	(120V models)
WP-000404-01	CHASSIS ASSY, CX 404 (100V)	1	(100V models)
WP-000404-02	CHASSIS ASSY, CX 404 (230V)	1	(230V models)
WP-000099-00	LOCKOUT PLATE ASSY, 4CH DCA/CX	1	
WP-000404-00 (120V); WP-000404-01 (100V); WP-000404-02 (230V) Chassis Assembly			
CH-000112-00	SHIELD, AC, PLX	1	
CH-000118-00	RACK EAR, PL2 2SP	2	
CH-000134-00	CHASSIS 4CH PLC 2RU	1	
CO-000169-00	CONN IEC AC INLET	1	
CO-000180-00	CONN BARRIER 6-POS W/COVER QD	2	
HW-060090-SO	#6-32 X 9/16" HEX STANDOFF	2	
LB-000052-00	LABEL, UL/cUL APPROVAL	1	
LB-000053-00	LBL, FRENCH, FUSE REPLACEMENT	1	
LB-000077-00	LABEL, WARNING, HIGH ENERGY	1	
LB-000285-00	LABEL, INPUT/OUTPUT CX 4CH	1	
LB-000289-00	LABEL, FACEPLATE, CX 254	1	
LB-160226-01	LABEL, FUSE, UL CAUT. 15A 250V	1	(230V models)
LB-160226-05	LABEL, FUSE, UL CAUT. 25A 125V	1	(100V & 120V models)
PL-000095-00	FAN INTERFACE PLX	1	
PL-000136-00	KNOB, FAB, PLX PLATFORM	4	
PL-000141-00	CABLE SUPPORT, 4 CHANNEL	1	
PL-000144-00	INSULATOR, FAN DUCT PL2	1	
SC-040041-PP	#4-40 X 1/4" P/P BLACK	4	
SC-060042-PP	#6-32 X 1/4" P/P BLACK, SEMS, IT	3	
SC-060060-PS	SCREW 6-32 X .375 SEMS EXTL ZC	4	
SC-060081-PP	#6-32 X 1/2" P/P BLACK	4	
SC-080122-HC	SCREW HEX CAP 8-32 X 3/4" BLK	2	
SC-082051-PL	SCREW, TAPPAN PH#8X5/16" "B" BK	13	
SC-083081-PL	SCREW 8-18X1/2" P/P BLK B STL	2	
SW-000037-00	SWITCH, POWER, DPST ROCKER, BLK	1	
WC-000138-00	CABLE ASSY AC DCA/CX	1	
WP-000057-00	FAN ASSY, 3.15" 24VDC W/5.5L"	1	
WP-000405-00	PCB ASSY, CX 404 (120V)	1	(120V models)
WP-000405-01	PCB ASSY, CX 404 (100V)	1	(100V models)
WP-000405-02	PCB ASSY, CX 404 (230V)	1	(230V models)

QSC part #	Description	Qty.	Notes or Component Reference
WP-000057-00 Fan Assembly			
CO-000108-00	CONN PLUG 2-POS BLUE 26AWG	1	
MS-000085-00	FAN, 3.15", 24VDC	1	
WP-000405-00 (120V); WP-000405-01 (100V); WP-000405-02 (230V) PC Board Assembly			
CA-033002-10	CAP CER 33PF 10% 500V NPO	4	C16, C54, C416, C454
CA-047002-30	CAP CER 47PF 5% 50V NPO SMT	4	C29, C66, C429, C466
CA-110002-30	CAP CER 100PF 5% 50V NPO SMT	16	C7, C8, C9, C21, C43-C45, C58, C407-C409, C421, C443-C445, C458
CA-133001-10	CAP SM 330PF 5% 500V	2	C145, C146
CA-147003-30	CAP 470PF 5% 50V 1206 SMT	26	C1, C3, C4, C18, C25, C38, C40, C41, C55, C62, C119, C121, C148, C181, C182, C186, C401, C403, C404, C418, C425, C438, C440, C441, C455, C462
CA-168003-30	CAP CER 680PF 5% 50V NPO SMT	4	C24, C61, C424, C461
CA-210005-30	CAP .001UF 5% 50V 1206 SMT	13	C2, C32, C37, C120, C124
CA-210005-30	CAP .001UF 5% 50V 1206 SMT	13	C68, C75, C81, C85, C402, C432, C437, C468
CA-222001-00	CAP CER Y .0022UF 20% 125VAC	2	C122, C127
CA-227001-30	CAP CER .0027UF 10% 100V 0805	7	C34, C71, C108, C109, C128, C434, C471
CA-233001-10	CAP MYLAR .0033UF 10% 100V	1	C113
CA-233002-00	CAP CER Y .0033UF 20% 125VAC	2	C115, C118
CA-256001-30	CAP CER .0056UF 10% 200V 1206	4	C26, C63, C426, C463
CA-347001-10	CAP MYLAR .047UF 5% 50V	4	C11, C48, C411, C448
CA-347003-10	CAP MYLAR .047UF 10% 250V	4	C30, C70, C430, C470
CA-410001-00	CAP MET POLY X.1UF 20% 250VAC	1	C126
CA-410002-10	CAP MYLAR .1UF 5% 100V	4	C15, C51, C415, C451
CA-410003-10	CAP MET POLY .1UF 10% 250V	6	C27, C64, C156, C157, C427, C464
CA-410006-30	CAP CER .1UF 10% 50V X7R SMT	23	C17, C20, C31, C42, C53, C57, C67, C116, C125, C135, C155, C162, C163, C183, C185, C191, C417, C420, C431, C442, C453, C457, C467
CA-410011-00	CAP MMYL .1UF 10% 400V	2	C107, C123
CA-422001-10	CAP MYLAR .22UF 5% 50V	4	C13, C49, C413, C449
CA-447001-00	CAP MET POLY X.47UF 20% 250VAC	1	C117
CA-447003-00	CAP POLYP .47UF 10% 400V	1	C144
CA-510005-30	CAP LYTIC 1UF 20% 50V SMT	4	C12, C50, C412, C450
CA-510006-00	CAP MPOLY X 1UF 20% 250VAC	2	C110, C112
CA-610002-10	CAP LYTIC RL 10UF 20% 35V	8	C5, C39, C80, C86, C114, C192, C405, C439
CA-610006-30	CAP LYTIC 10UF 20% 16V SMT	1	C184
CA-647001-10	CAP LYTIC RL 47UF 10% 10V NP	22	C6, C10, C28, C35, C36, C46, C47, C65, C69, C72, C84, C87, C406, C410, C428, C435, C436, C446, C447, C465, C469, C472
CA-647002-10	CAP LYTIC RL 47UF 20% 50V	9	C22, C23, C59, C60, C89, C422, C423, C459, C460
CA-710002-10	CAP LYTIC RL 100UF 20% 25V	10	C19, C56, C78, C79, C90, C139, C142, C143, C419, C456
CA-710004-10	CAP LYTIC RL 100UF 20% 25V	3	C138, C149, C150
CA-747001-10	CAP LYTIC RL 470UF 20% 16V	7	C131, C73, C74, C76, C77, C82, C83
CA-747004-00	CAP LYTIC RL 470UF 20% 100V	12	C152, C153, C159, C160, C165, C166, C169-C174
CA-822200-AE	CAP LYTIC RL 2200UF 20% 200V	4	C132, C133, C136, C137
CH-000102-00	HEATSINK, AUDIO, PLX	4	
CH-000103-00	SPRING, CLAMP, 2 HOLE	9	
CH-000104-00	HEATSINK PS PLX	2	
CH-000114-00	CLAMP, 2 FINGER PLX	2	
CO-000106-00	CONN HD15 PIN RT ANGLE PC MT	2	J406, J6
CO-000155-00	HEADER PCB .100 2-POSITION	1	J13
CO-000161-00	CONN BLK HDR 3-PIN EURO OPEN	4	J1, J7, J401, J407
HW-000001-FC	FUSE CLIPS	2	REF: F1
HW-040001-00	BRACKET,#4-40 THD,RT ANGLE	4	
IC-000024-00	IC REG PWM 40V 0.1A SG3525A	1	U19

QSC part #	Description	Qty.	Notes or Component Reference
IC-000046-30	IC LIN DUAL OP AMP TLO72 SO-8	4	U4, U7, U404, U407
IC-000047-30	IC LIN DUAL COMP LM393 SO-8	1	U10
IC-000048-30	IC LIN DUAL OP AMP MC33078	8	U1, U2, U5, U6, U401, U402, U405, U406
IC-000051-00	IC OPTO-ISO TCDT1101	2	U15, U17
IC-000053-30	IC LIN SMT DUAL TIMER LM556	1	U14
IC-000054-30	IC LIN SMT QUAD COMP LM339AM	1	U13
IC-000073-30	IC LIN DUAL OP AMP LM13600	2	U3, U403
IC-000134-00	IC CMOS HV DRVR IR2110	1	U18
IC-000135-00	IC LIN PWM SWITCH TOP 210	1	U16
MS-000048-HS	HEAT SINK, ISOL TO-220	1	REF: Q91
MS-000112-00	FUSE 25A 125V 3AG FAST CER	1	F1 (100V and 120V models)
MS-150250-FU	FUSE 15A 250V 3AG FAST CER	1	F1 (230V models)
MS-000115-30	FUSE 0.5A 32V SMT 1206 FAST	2	F2, F402
PA-000017-00	LED, GRN, SPACER ASSEMBLY	13	LD2-LD4, LD7-LD9, LD11, LD402-LD404, LD407-LD409
PA-000018-00	LED, YEL, SPACER ASSEMBLY	4	LD1, LD6, LD401, LD406
PA-000019-00	LED, RED, SPACER ASSEMBLY	4	LD5, LD10, LD405, LD410
PC-001825-00	PCB, PLC, 4CH	1	
PL-000114-00	INSULATOR, IGBT/RECT HS, PLX	2	
PL-000126-00	SPRING, SEAT, PLX	9	
PL-000128-00	SPACER, LED, .276"	4	REF: R35, R143, R435, R543
PL-000135-00	INSULATOR, MICA 1.25" X 1.75"	1	REF: Q96, Q97
PT-210000-AT	RES VAR IT 1K 20% 0.15W CARB	4	VR2, VR4, VR402, VR404
PT-310004-00	RES VAR IT 10K 20% 0.2W 11MM	4	VR1, VR3, VR401, VR403
QD-000014-QD	DIODE TO220 ULTRAFAST 200V 15A	4	D74, D75, D80, D81
QD-000042-00	DIODE RECT ULTRAFAST 400V 3A	2	D70, D71
QD-000076-00	XISTOR NPN TO-220 250V	4	Q25, Q58, Q425, Q458
QD-000077-00	XISTOR PNP TO-220 250V	4	Q24, Q57, Q424, Q457
QD-000080-20	DIODE ZNR 11V 1W 5% 1N4741A	2	D87, D88
QD-000102-30	DIODE SW 1N4148 SMT 75V 75MA	64	D1-D3, D6-D8, D11-D14, D17, D18, D20-D25, D28-D30, D32, D33, D35, D48-D52, D55, D57, D59, D63-D65, D67, D69, D73, D84, D90, D91, D401-D403, D407, D408, D411-D414, D417, D418, D420-D425, D428-D430, D432, D433, D435
QD-000103-30	XISTOR NPN SMT 40V .2A .2W	39	Q5, Q7-Q9, Q12, Q17, Q21, Q23, Q37, Q38, Q40-Q42, Q45, Q49, Q51, Q56, Q89, Q90, Q92 Q93, Q95, Q405, Q407-Q409, Q412, Q417, Q421, Q423, Q437, Q438, Q440-Q442, Q445, Q449, Q451, Q456
QD-000104-30	XISTOR PNP SMT 40V .2A .2W	56	Q1-Q4, Q10, Q11, Q13, Q16, Q20, Q22, Q30, Q31-Q36, Q39, Q43, Q100, Q401-Q404, Q406, Q410, Q411, Q413, Q416, Q420, Q422, Q430
QD-000104-30	XISTOR PNP SMT 40V .2A .2W	56	Q6, Q44, Q46, Q50, Q54, Q55, Q87, Q88, Q94, Q98, Q99, Q431-Q436, Q439, Q443, Q444, Q446, Q450, Q454, Q455
QD-000105-30	XISTOR NPN SMT 300V .2A .2W	4	Q14, Q47, Q414, Q447
QD-000106-30	XISTOR PNP SMT 300V .2A .2W	4	Q15, Q48, Q415, Q448
QD-000108-30	DIODE SMT SWITCH 200V .2A 50NS	12	D9, D10, D31, D34, D409, D410, D431, D434
QD-000110-30	DIODE ZNR 6.2V 5% .3W SMT	3	D19, D56, D419
QD-000113-30	DIODE ZNR 10V 5% .3W SMT	1	D66
QD-000115-30	DIODE SMT RECT 600V 1A	3	D58, D60, D86
QD-000116-30	DIODE RECT SMT 200V 1A	13	D4, D5, D26, D27, D62, D76, D77, D82, D83, D404, D405, D426, D427
QD-000154-00	XISTOR NPN TO-220 230V	4	Q18, Q52, Q418, Q452
QD-000155-00	XISTOR PNP TO-220 230V	4	Q19, Q53, Q419, Q453
QD-000156-00	XISTOR PNP TO-220 100V 3A 40W	1	Q91
QD-000157-10	DIODE RECT DO15 1000V 1.5A	8	D15, D16, D36, D37, D415, D416, D436, D437
QD-000169-00	XISTOR IGBT TO-247AC 600V 55A	2	Q96, Q97
QD-000170-00	DIODE BRIDGE RECT 600V 50A	1	BR1

QSC part #	Description	Qty.	Notes or Component Reference
QD-001302-PN	XISTOR PNP TO-3P 200V 15A	8	Q26, Q28, Q59, Q61, Q426, Q428, Q459, Q461
QD-003281-NP	XISTOR NPN TO-3P 200V 15A	8	Q27, Q29, Q60, Q62, Q427, Q429, Q460, Q462
QD-004744-ZA	DIODE ZNR 15V 5% 1W 1N4744A	2	D53, D54
RE-.04703-10	RES MOFFP .47 5% 2W MINI	32	R76, R77, R80, R81, R83–R86, R183–R186, R188, R190–R192, R476, R477, R480, R481, R483–R486, R583–R586, R588, R590, R591, R592
RE-.27001-10	RES MOFFP 2.7 5% 2W MINI	1	R224
RE-.56002-10	RES MOFFP 5.6 5% 2W MINI	7	R82, R189, R354, R355, R373, R482, R589
RE-000210-NR	THERMISTOR NTC 15A CUR LIM	1	R324
RE-000230-NR	THERMISTOR NTC 10K 5%	4	R35, R143, R435, R543
RE-001003-30	RES SMT 10 OHM 1% 1/8W 1206	4	R353, R356, R358, R359
RE-001008-10	RES MOFFP 10 5% 2W MINI	8	R75, R79, R182, R187, R475, R479, R582, R587
RE-003921-30	RES SMT 39.2 OHM 1% 1/8W 1206	22	R65, R68, R174, R175, R220–R223, R225, R249, R226–R228, R230, R231, R233, R349, R357, R465, R468, R574, R575
RE-004752-30	RES SMT 47.5 1% 1/10W 100V	10	R98, R99, R202, R205, R209, R498, R499, R602, R605, R609
RE-005606-10	RES MOFFP 56 5% 2W MINI	1	R372
RE-007502-30	RES SMT 75 1% 1/10W 100V	8	R2, R3, R108, R109, R402, R403, R508, R509
RE-010001-30	RES SMT 100 OHM 1% 1/8W 1206	8	R73, R74, R180, R181, R473, R474, R580, R581
RE-010002-30	RES SMT 100 1% 1/10W 100V	18	R19, R24, R57, R58, R127, R132, R166, R167, R334, R364, R419, R424, R457, R458, R527, R532, R566, R567
RE-020002-30	RES SMT 200 1% 1/10W 100V	8	R69, R70, R176, R177, R469, R470, R576, R577
RE-027401-30	RES SMT 274 1% 1/10W 100V	8	R59, R60, R164, R165, R459, R460, R564, R565
RE-038301-30	RES SMT 383 1% 1/10W 100V	4	R39, R146, R439, R546
RE-047502-30	RES SMT 475 1% 1/10W 100V	4	R25, R133, R425, R533
RE-053602-30	RES SMT 536 1% 1/10W 100V	10	R20, R130, R210, R211, R361, R374, R420, R530, R611, R612
RE-063402-30	RES SMT 634 1% 1/8W 1206	1	R370
RE-093101-30	RES SMT 931 OHM 1% 1/10W 0805	5	R38, R147, R379, R438, R547
RE-110006-30	RES SMT 1.00K 1% 1/8W 1206	18	R1, R7, R37, R102, R103, R111, R145, R232, R250, R252, R369, R401, R407, R437, R502, R503, R511, R545
RE-115002-30	RES SMT 1.50K 1% 1/10W 100V	30	R21, R28, R32, R33, R36, R42, R44, R131, R138, R140, R141, R144, R149, R151, R270, R273, R421, R428, R432, R433, R436, R442, R444, R531, R538, R540, R541, R544, R549, R551
RE-116202-30	RES SMT 1.62K 1% 1/10W 100V	8	R61, R64, R168, R171, R461, R464, R568, R571
RE-117401-30	RES MF 1.74K 1% 1/10W 0805	5	R96, R200, R272, R496, R600
RE-120002-30	RES SMT 2.00K 1% 1/10W 100V	1	R266
RE-122103-30	RES SMT 2.21K 1% 1/10W 100V	17	R43, R97, R110, R150, R204, R240, R247, R264, R265, R267, R347, R348, R443, R497, R510, R550, R604
RE-134802-30	RES SMT 3.48K 1% 1/10W 100V	4	R88, R195, R488, R595
RE-146401-30	RES SMT 4.64K 1% 1/10W 100V	8	R78, R87, R193, R194, R478, R487, R593, R594
RE-147502-30	RES SMT 4.75K 1% 1/10W 100V	25	R4, R23, R107, R112, R113, R128, R155, R327, R330, R362, R404–R406
RE-147502-30	RES SMT 4.75K 1% 1/10W 100V	25	R5, R6, R48, R90, R423, R448, R490, R507, R512, R513, R528, R555
RE-156202-30	RES 5.62K 1/10W .1% 0805	16	R10, R11, R13, R14, R117, R118, R120, R121, R410, R411, R413, R414, R517, R518, R520, R521
RE-159002-30	RES SMT 5.90K 1% 1/10W 100V	16	R26, R53, R56, R93, R134, R160, R163, R201, R426, R453, R456, R493, R534, R560, R563, R601
RE-162002-00	RES MOFFP 6.2K 5% 2W	5	R251, R257, R269, R274, R275
RE-175002-30	RES SMT 7.50K 1% 1/10W 100V	8	R12, R105, R114, R123, R412, R505, R514, R523
RE-178701-30	RES SMT 7.87K 1% 1/10W 100V	2	R208, R360
RE-190902-30	RES SMT 9.09K 1% 1/10W 100V	18	R8, R34, R100, R101, R119, R142, R206, R207, R248, R258, R408, R434, R500, R501, R519, R542, R606, R607
RE-210003-30	RES SMT 10.0K 1% 1/10W 100V	12	R89, R95, R106, R336, R338, R363, R366, R375, R376, R489, R495, R506
RE-210005-EM	RES MOFFP 10K 5% 2W	4	R256, R276, R277, R278

QSC part #	Description	Qty.	Notes or Component Reference
RE-212702-30	RES SMT 12.7K 1% 1/10W 100V	37	R9, R17, R40, R41, R46, R52, R66, R67, R115, R116, R125, R148, R153, R159, R172, R173, R241, R245, R259, R329, R337, R409, R417, R440, R441, R446, R452, R466, R467, R515, R516, R525, R548, R553, R559, R572, R573,
RE-215002-30	RES SMT 15.0K 1% 1/10W 100V	2	R262, R365
RE-216501-CM	RES MF 16.5K 1% 1/2W	4	R27, R135, R427, R535
RE-220002-30	RES SMT 20.0K 1% 1/10W 100V	22	R16, R29, R47, R51, R94, R124, R136, R154, R158, R196, R197, R229, R242, R244, R246, R253, R271, R331, R346, R416, R429, R447, R451, R494, R524, R536, R554, R558, R596, R597
RE-221502-30	RES SMT 21.5K 1% 1/10W 100V	4	R15, R122, R415, R522
RE-224901-30	RES SMT 24.9K 1% 1/10W 100V	5	R92, R199, R325, R492, R599
RE-229402-30	RES SMT 29.4K 1% 1/10W 100V	4	R45, R152, R445, R552
RE-230002-10	RES MOFP 30K 5% 2W MINI	2	R351, R352
RE-239202-30	RES SMT 39.2K 1% 1/10W 100V	16	R18, R54, R55, R126, R161, R162, R243, R261, R323, R332, R418, R454, R455, R526, R561, R562
RE-247503-30	RES SMT 47.5K 1% 1/10W 100V	5	R30, R137, R343, R430, R537
RE-269801-30	RES SMT 69.8K 1% 1/8W (1206)	9	R71, R72, R178, R179, R279, R471, R472, R578, R579
RE-310002-30	RES SMT 100K 1% 1/10W 100V	7	R31, R104, R139, R234, R431, R504, R539
RE-310003-30	RES SMT 100K 1% 1/8W 1206	11	R62, R63, R169, R170, R268, R344, R345, R462, R463, R569, R570
RE-315002-30	RES MF 150K 1% 1/8W 1206	12	R49, R50, R156, R157, R333, R335, R341, R342, R449, R450, R556, R557
RE-339201-30	RES SMT 392K 1% 1/10W 100V	7	R22, R129, R260, R263, R340, R422, R529
RE-348702-30	RES MF 487K 1% 1/8W 1206	4	R321, R322, R326, R328
RE-375005-BM	RES MF 750K 5% 1/2W 100PPM	2	R339, R371
RE-410001-30	RES SMT 1.0 MEG OHM 1% 1/8W	4	R91, R198, R491, R598
SC-040041-PP	#4-40 X 1/4" P/P BLACK	4	
SC-063100-PP	#6-20 X 5/8" "AB" TYPE 1 XRECE	20	
SC-081101-SP	#8-18 X 5/8", TYPE 1 P/P BLACK	4	
SW-000029-SW	RELAY, SPKR PROTECT,SPDT,24VDC	1	K1
SW-000050-00	SWITCH DIP 10-POSITION RT	2	SW1, SW401
WC-0.5018-JW	JMPR INS 0.5" 18AWG SLD WHT	1	W5 (100V and 120V models); W6 (230V models)
WC-000002-10	JUMPER 22GA BARE SOLID	2	W1, W2
WC-000115-00	AC SWITCH WIRE, BLK, LONG	1	REF: ES2, TO SWITCH
WC-000115-01	AC SWITCH WIRE, RED, SHORT	1	REF: ES1, TO SWITCH
WC-000118-00	WIRE ASSY, BLK, LONG	1	REF: EH1-EH2
WC-000118-01	WIRE ASSY, RED, SHORT	1	REF: EL1-E120A
WC-000141-00	CABLE ASSY, 26PPM	2	REF: J2 TO 4, J402 TO J404
WC-000142-00	CABLE ASSY, 34PPM	1	REF: J3 TO 5
WC-000143-00	SPKR WIRE ASSY, PLC 4CH 2RU	1	
XF-000005-00	BEAD FERRITE W/20AWG LEAD	2	L9, L10
XF-000023-00	CHOKE COMMON MODE 2.2MH	2	L3, L4
XF-000061-00	INDUCTOR TORIOD 1.9UH 13GA	1	L6
XF-000064-00	XFMR AMP HOUSEKEEPING PLC	1	T1
XF-000066-00	INDUCTOR AIR 2UH 14/20GA	4	L1, L2, L401, L402
XF-000183-00	XFMR PWR DCA 3422	1	T2 (120V and 230V models)
XF-000188-00	XFMR PWR DCA 3422 (100V)	1	T2 (100V models)

