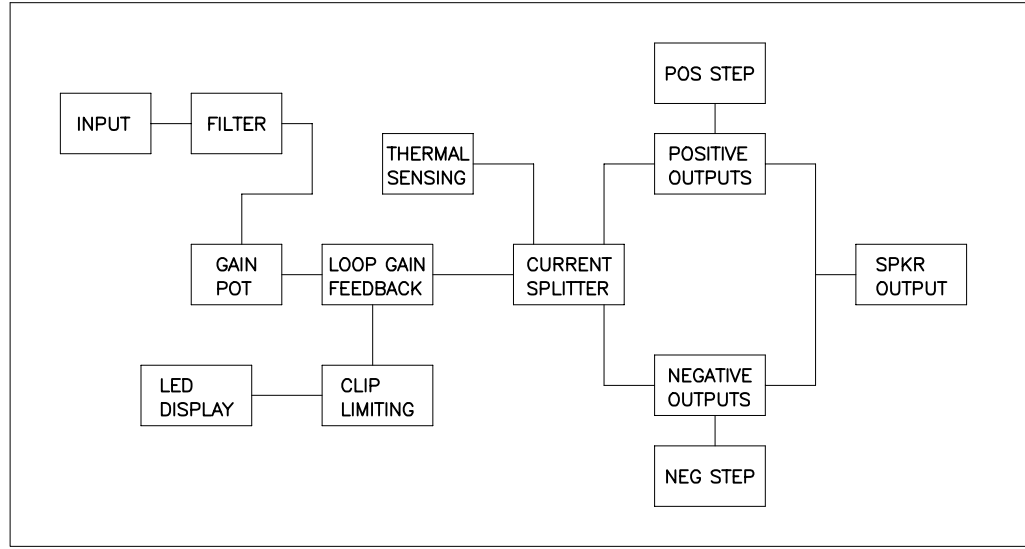
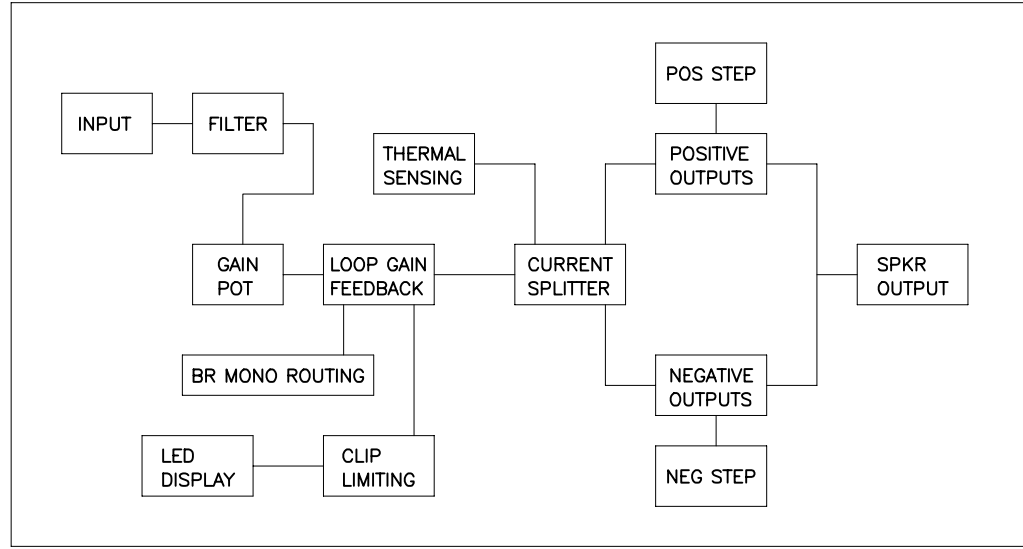


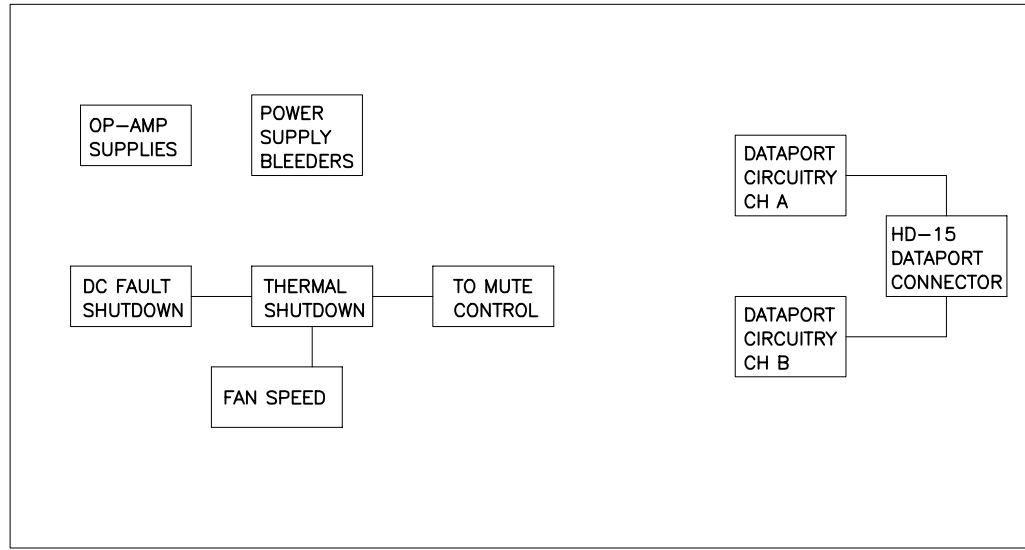
THIS DOCUMENT CONTAINS PROPRIETARY INFORMATION WHICH IS THE PROPERTY OF QSC AUDIO PRODUCTS, THAT MAY NOT BE DISCLOSED, REPRODUCED OR USED WITHOUT EXPRESS WRITTEN CONSENT FROM QSC AUDIO PRODUCTS.



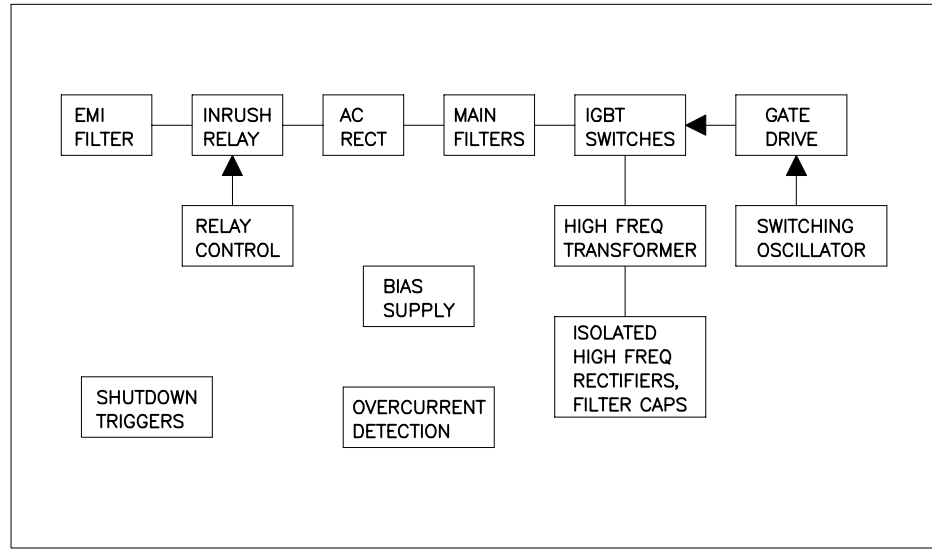
CHANNEL A
AUDIO CIRCUITS
SHEET 2



CHANNEL B
AUDIO CIRCUITS
SHEET 3



SUPPORT,
PROTECTION
AND DATAPORT
CIRCUITS
SHEET 4



SWITCHING
POWER
SUPPLY
SHEET 5

TABULATION BLOCK				
DASH NO.	F1	△1	R321, 322, 326, 328 △2	R257, 378 △3
-00 (120V)	25A, 125V		487K	2.4K-2W
-01 (100V)	30A, 125V		392K	NOT USED
-02 (230V)	15A, 250V		487K	2.4K-2W

QTY	ITEM NO.	PART NO.	DESCRIPTION	VENDOR
PARTS LIST				
UNLESS OTHERWISE SPECIFIED DIMENSIONS ARE IN INCHES. DIMENSIONS PER ANSI Y14.5-1982 TOLERANCES ARE: DECIMALS DECIMALS ANGLES .XX ± .XXX ± ° DEBURR EDGES .XXX R MAX MATERIAL			CONTRACT NO.	
FINISH			APPROVALS DATE	
NEXT ASSY USED ON			DRAWN PAT QUILTER 5-15-98	
APPLICATION			CHECKED W. Ruland 3-23-99	
DO NOT SCALE DRAWING			ISSUED T. SHOOK 3-29-99	
			CAD SEED FILE NO. PLOT DATE: Thu, May 04, 2000	
			SCALE NONE CAD FILE NO. SH3423-H.sch SHEET 1 OF 5	

QSC AUDIO PRODUCTS, INC.
COSTA MESA, CALIFORNIA

SCHEMATIC DIAGRAM
DCA 3422

SH-003423-00

2. COMPONENTS WITH VALUE PREFIXED WITH A "*" REPRESENT SMT COMPONENTS.
1. THIS DRAWING USED IN CONJUNCTION WITH ASSEMBLY WP-003423-XX.
NOTES: UNLESS OTHERWISE SPECIFIED

DWG NO. SH-003423-00

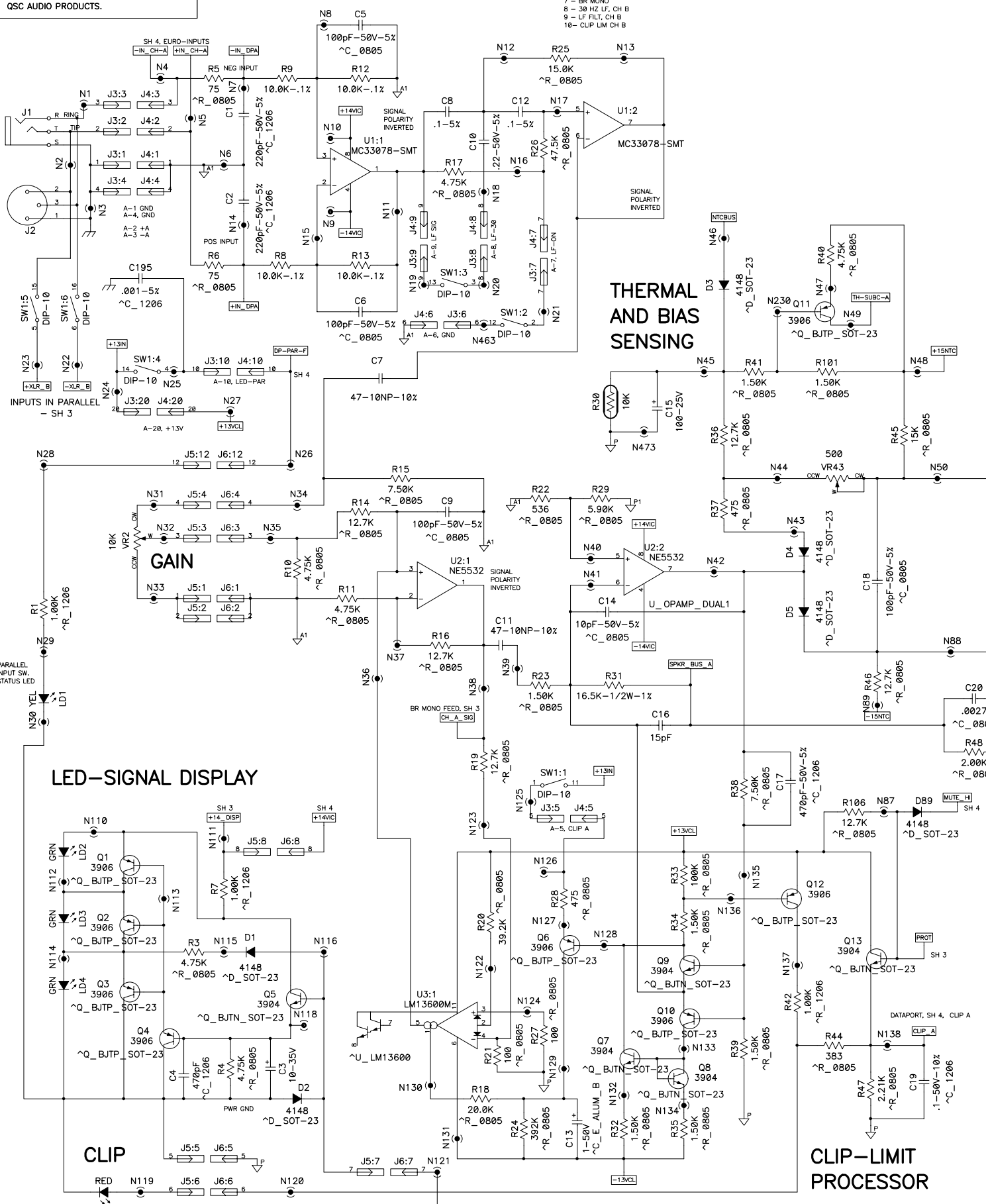
REV 1

THIS DOCUMENT CONTAINS PROPRIETARY INFORMATION WHICH IS THE PROPERTY OF QSC AUDIO PRODUCTS. THAT MAY NOT BE DISCLOSED, REPRODUCED OR USED WITHOUT EXPRESS WRITTEN CONSENT FROM QSC AUDIO PRODUCTS.

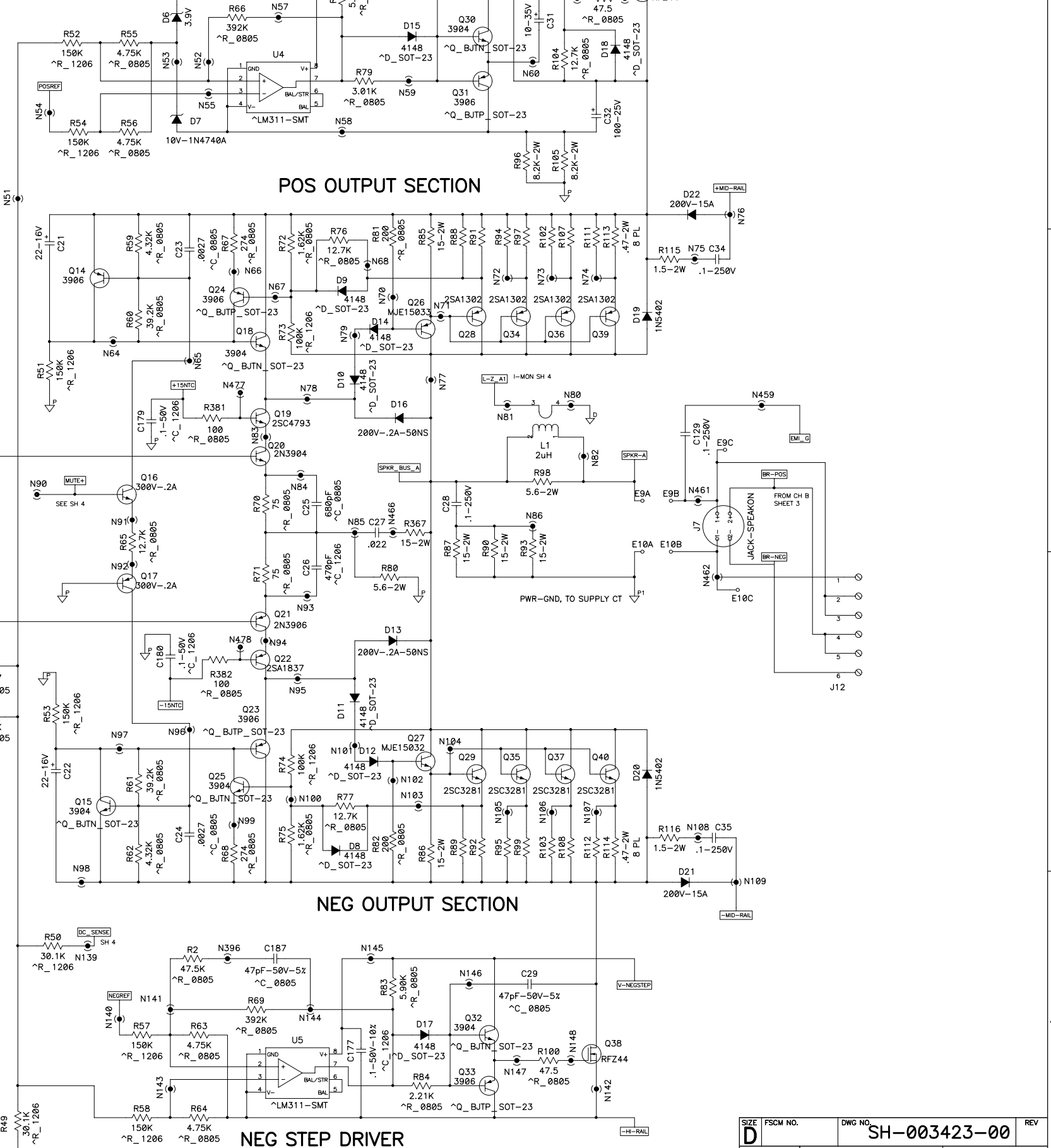
INPUT AND FILTER SECTION, CH A

DIP SWITCH TABLE, 10-POS

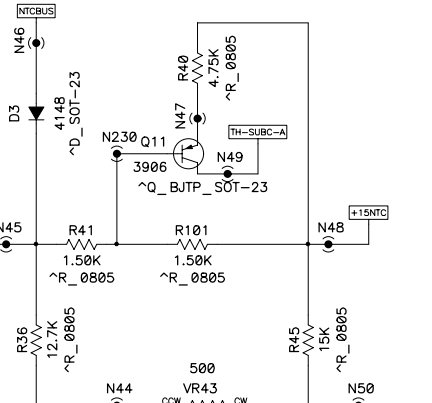
- CLIP LIM, CH-A
- LF FILT, CH-A
- 30 HZ LF, CH-A
- PAR INPUT LED
- PAR INPUTS, +
- PAR INPUTS, -
- BR MONO
- 30 HZ LF, CH B
- LF FILT, CH B
- CLIP LIM CH B



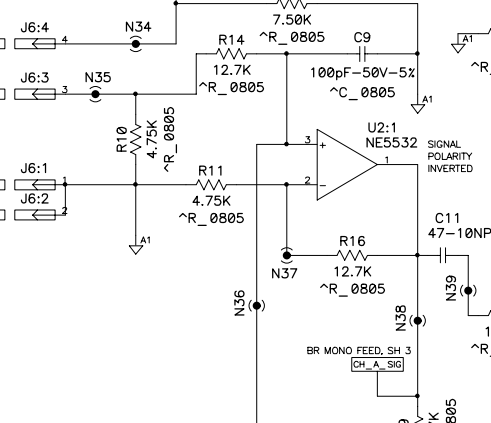
POS STEP DRIVER



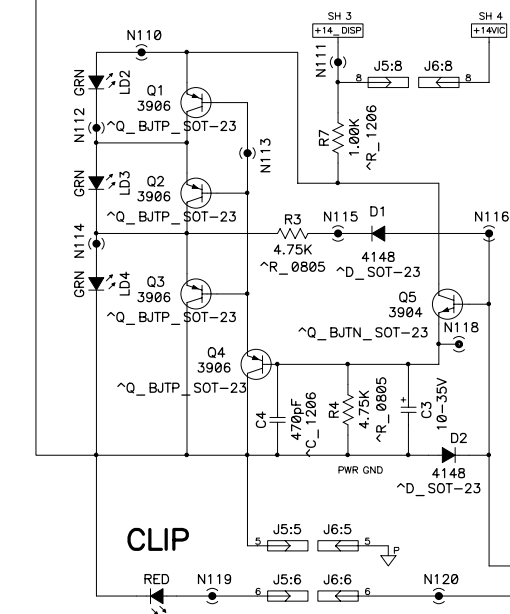
THERMAL AND BIAS SENSING



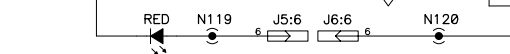
GAIN



LED-SIGNAL DISPLAY



CLIP



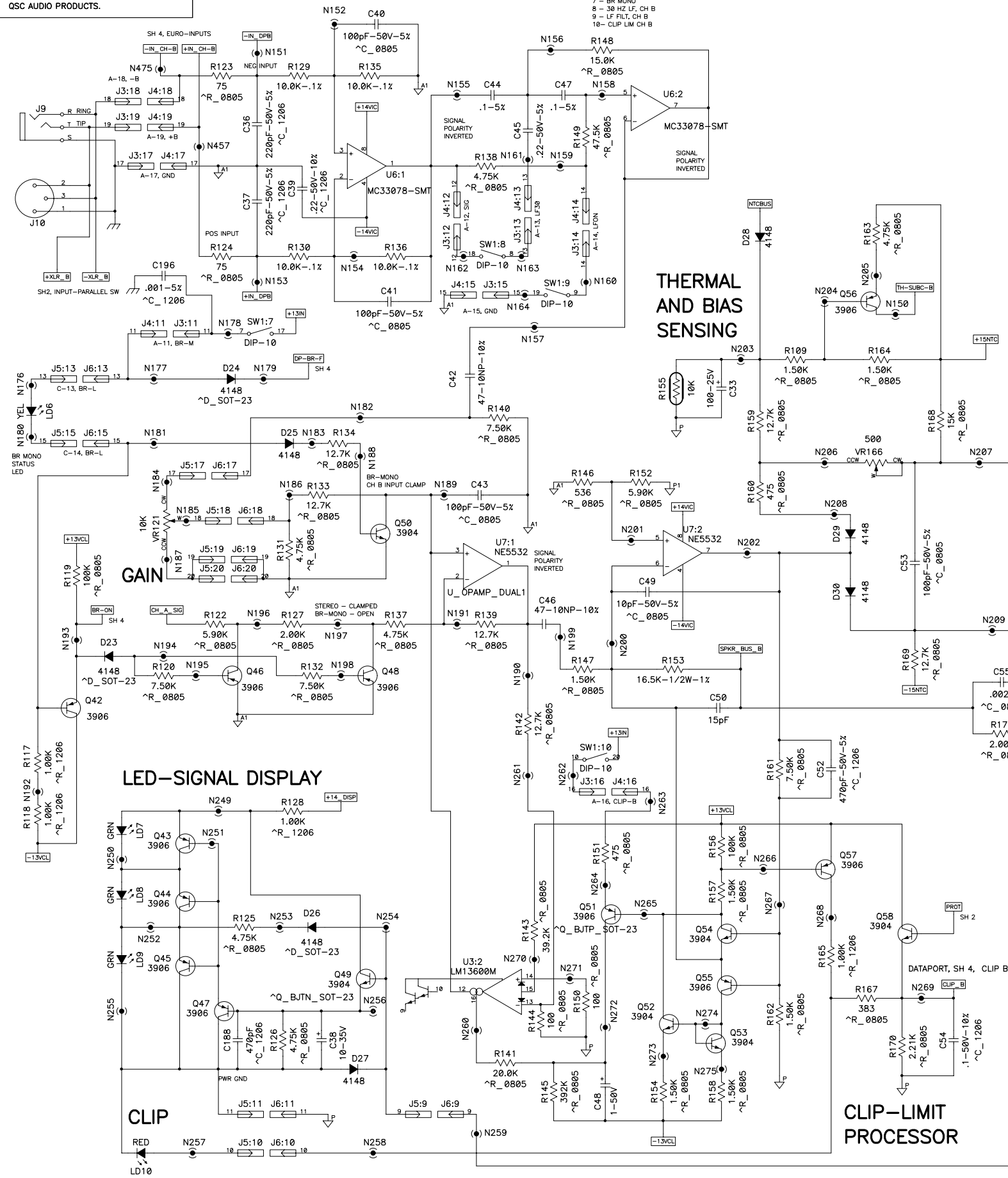
CLIP-LIMIT PROCESSOR



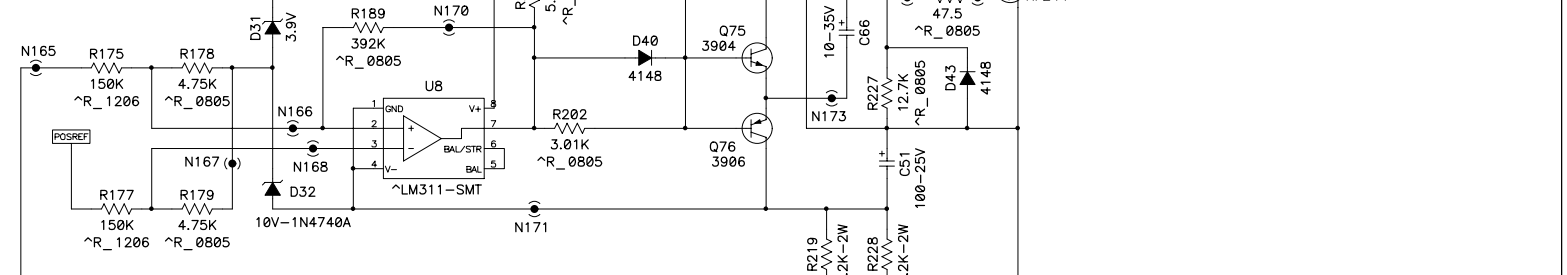
THIS DOCUMENT CONTAINS PROPRIETARY INFORMATION WHICH IS THE PROPERTY OF QSC AUDIO PRODUCTS, THAT MAY NOT BE DISCLOSED, REPRODUCED OR USED WITHOUT EXPRESS WRITTEN CONSENT FROM QSC AUDIO PRODUCTS.

INPUT AND FILTER SECTION, CH B

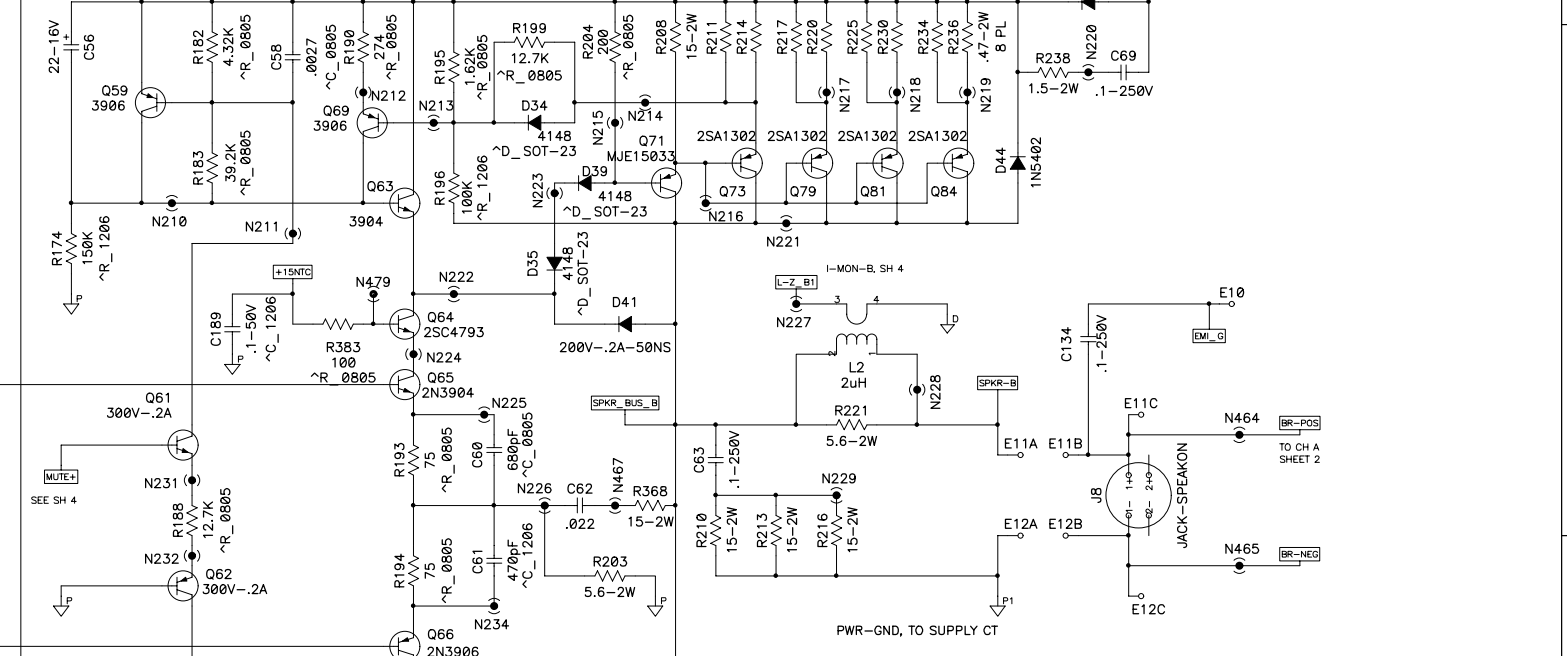
- DIP SWITCH TABLE, 10-POS
 1 - CLIP LIM, CH-A
 2 - LF FILT, CH-A
 3 - 30 HZ LF, CH-A
 4 - PAR INPUT LED
 5 - PAR INPUTS, +
 6 - PAR INPUTS, -
 7 - BR MONO
 8 - 30 HZ LF, CH B
 9 - LF FILT, CH B
 10 - CLIP LIM CH B



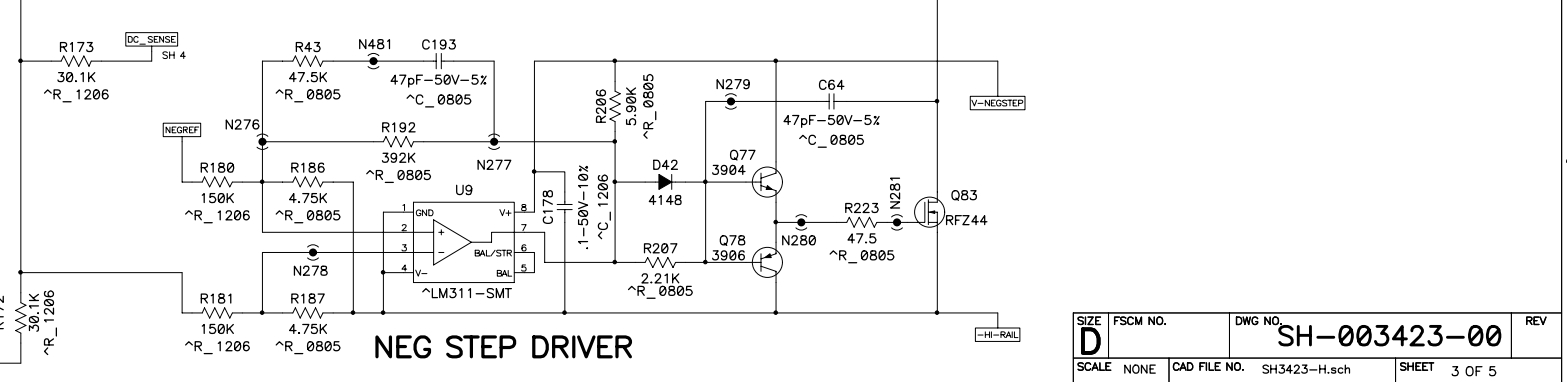
POS STEP DRIVER



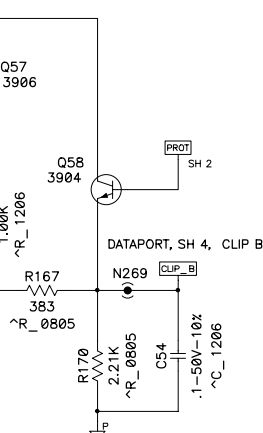
POS OUTPUT SECTION



NEG OUTPUT SECTION

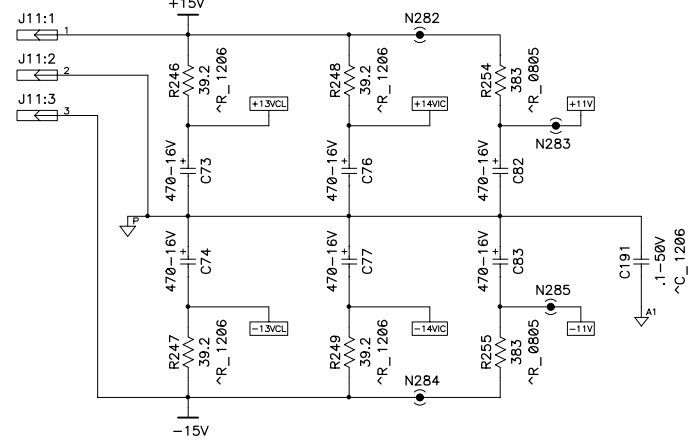


CLIP-LIMIT PROCESSOR

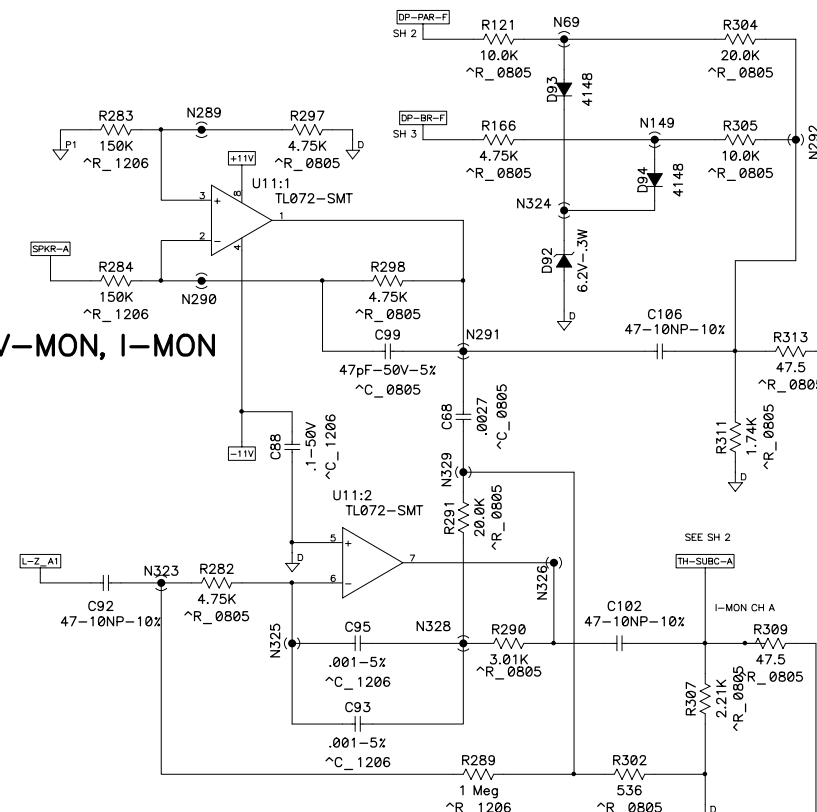


THIS DOCUMENT CONTAINS PROPRIETARY INFORMATION WHICH IS THE PROPERTY OF QSC AUDIO PRODUCTS, THAT MAY NOT BE DISCLOSED, REPRODUCED OR USED WITHOUT EXPRESS WRITTEN CONSENT FROM QSC AUDIO PRODUCTS.

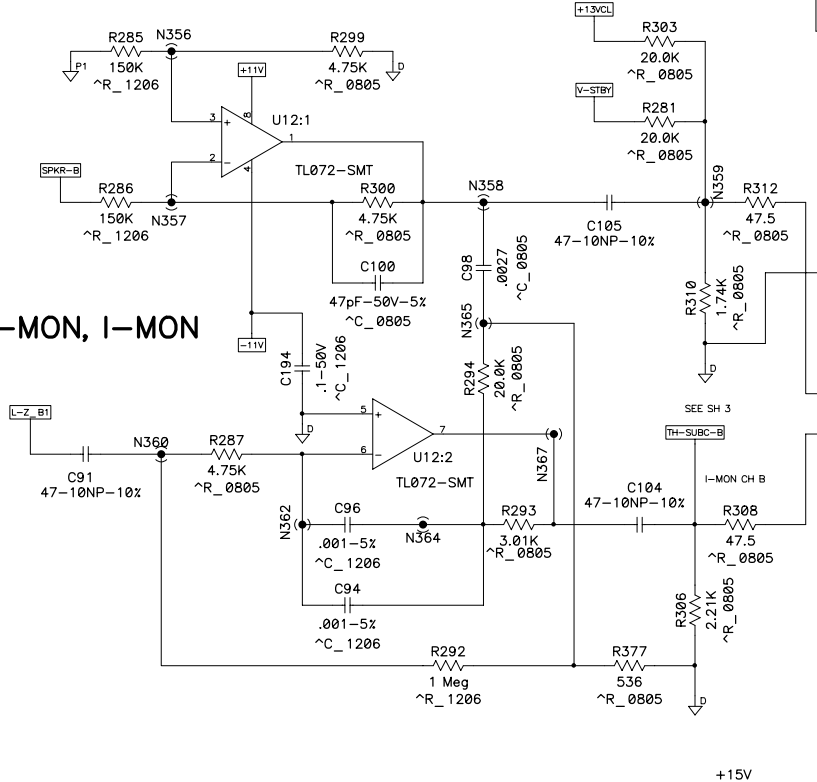
OPAMP POWER SUPPLIES



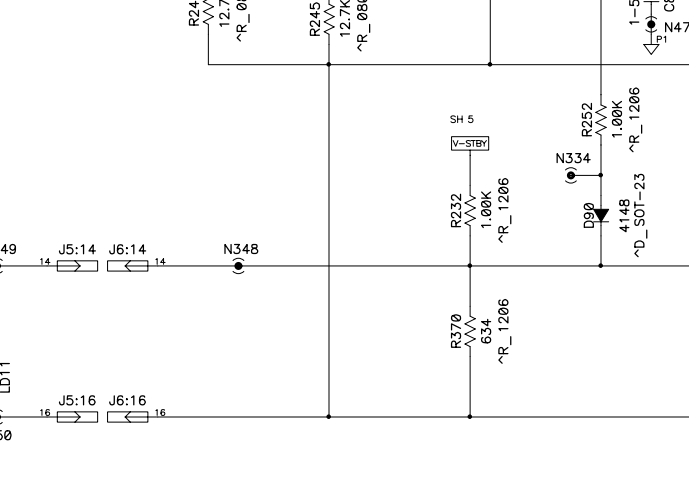
CH A V-MON, I-MON



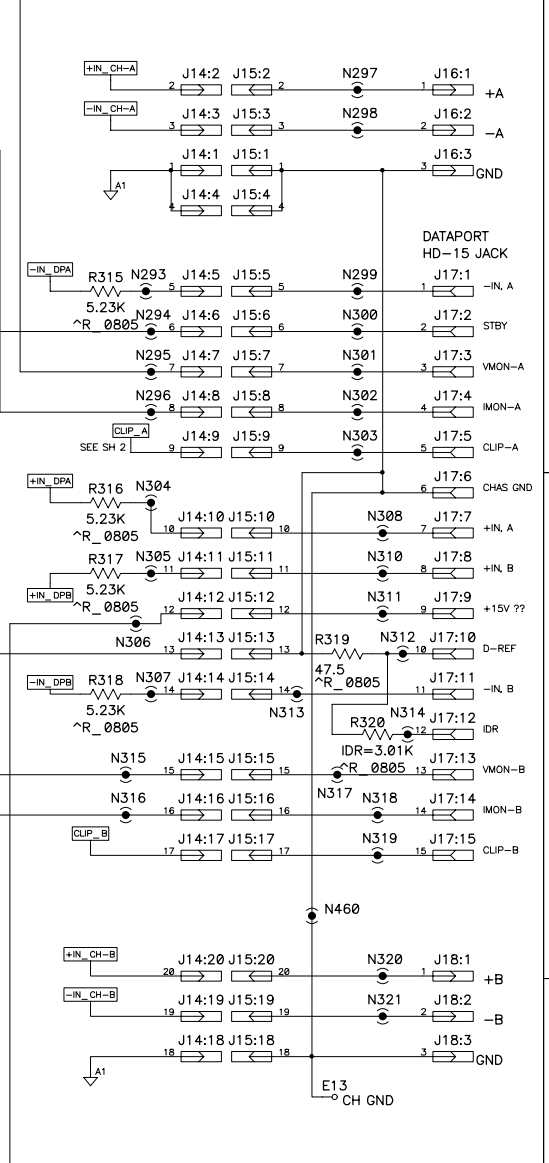
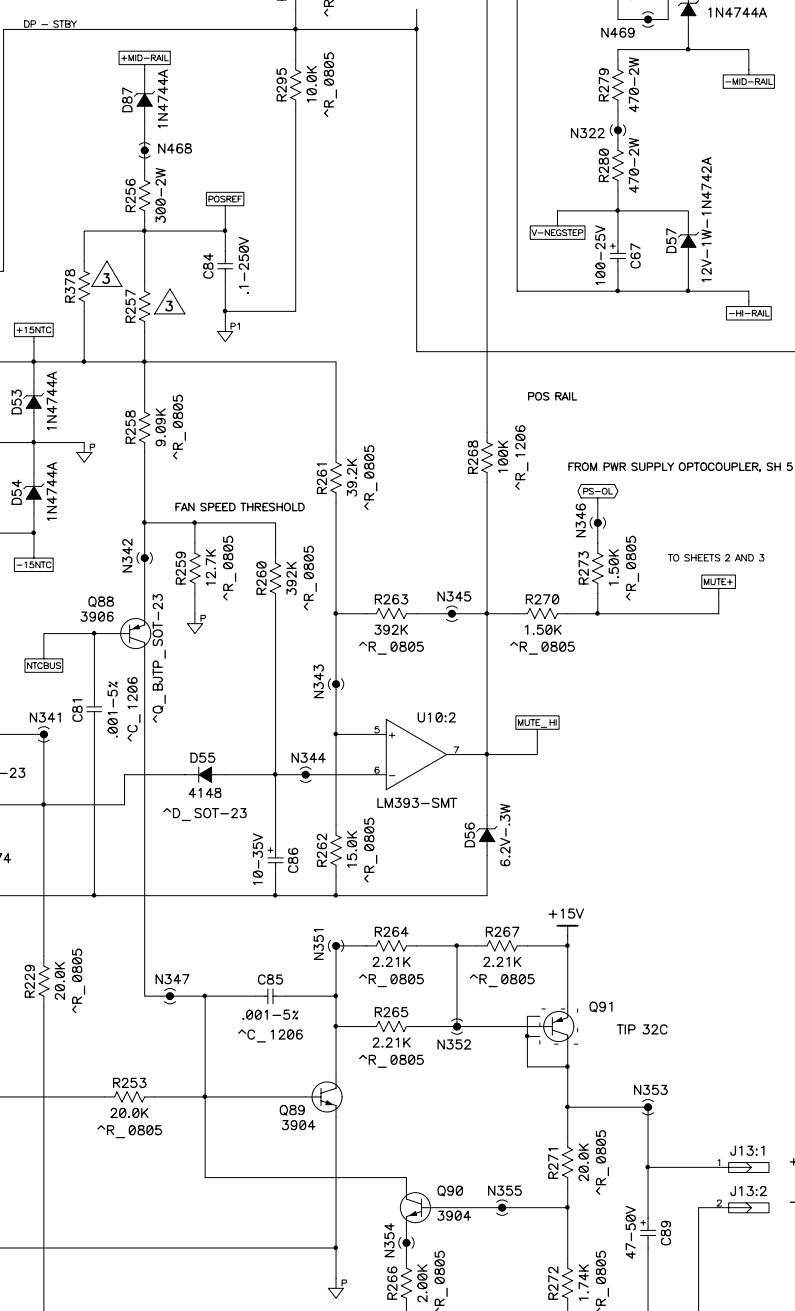
CH B V-MON, I-MON



DC MUTING



FAN SPEED CONTROL



THIS DOCUMENT CONTAINS PROPRIETARY INFORMATION WHICH IS THE PROPERTY OF QSC AUDIO PRODUCTS, THAT MAY NOT BE DISCLOSED, REPRODUCED OR USED WITHOUT EXPRESS WRITTEN CONSENT FROM QSC AUDIO PRODUCTS.

