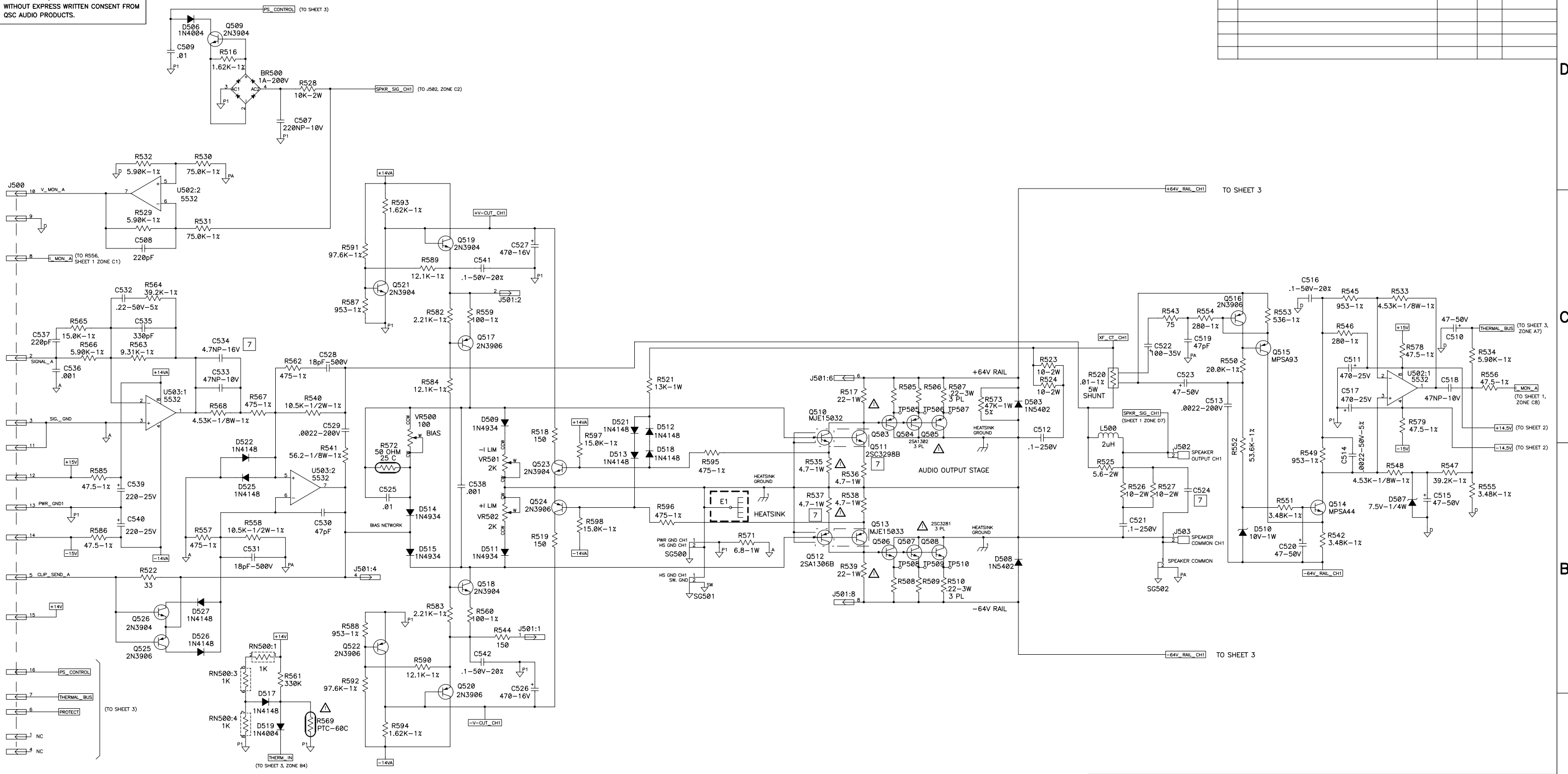


THIS DOCUMENT CONTAINS PROPRIETARY INFORMATION WHICH IS THE PROPERTY OF QSC AUDIO PRODUCTS, THAT MAY NOT BE DISCLOSED, REPRODUCED OR USED WITHOUT EXPRESS WRITTEN CONSENT FROM QSC AUDIO PRODUCTS.

REVISION			
REV	DESCRIPTION	EFF. DATE	CHK APPROVED / DATE



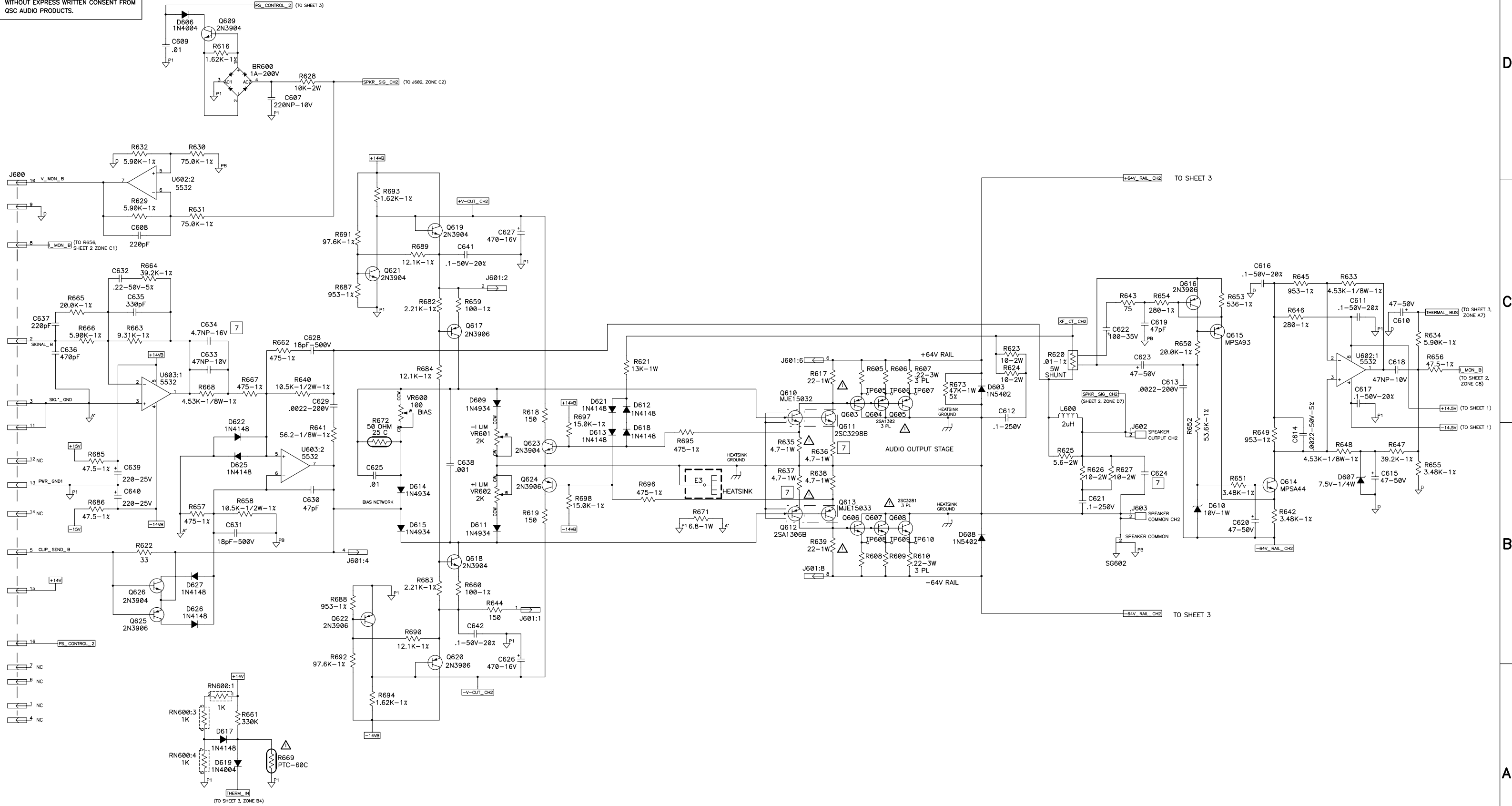
- 4. R569, 669 ARE POSITIVE TEMPERATURE COEFFICIENT RESISTORS MOUNTED TO HEAT SINK. RESISTANCE 100 OHM COLD, RISING AT 55C. QSC P/N RE-000006-VP. R710 IS MOUNTED TO SIDE OF T703. QSC P/N RE-000009-PT.
- 3. ALL CAPACITORS 100V. TOLERANCE 20% FOR ELECTROLYTIC TYPES, 10% ON OTHER TYPES.
- 2. ALL RESISTORS ARE 1/4-WATT, 5%.
- 1. THIS DRAWING USED IN CONJUNCTION WITH ASSEMBLY WP-000147-XX.

- 7 COMPONENTS C524, C624, C534, C634, Q511, Q512, Q611, Q612, R63, R536, R537, R636, R637 ARE SPARES AND ARE NOT LISTED IN THE BILL OF MATERIALS.
- 6. PARTS MARKED WITH TRIANGLE Δ MUST BE REPLACED WITH EXACT TYPE ONLY.
- 5. ZENERS D507, 57, 607, AND D737, MARKED 7.5V, LOW LEAKAGE, QSC P/N QD-0007.5-ZT. ZENER D55, MARKED 6.2V, LOW LEAKAGE, QSC P/N QD-000024-QD.

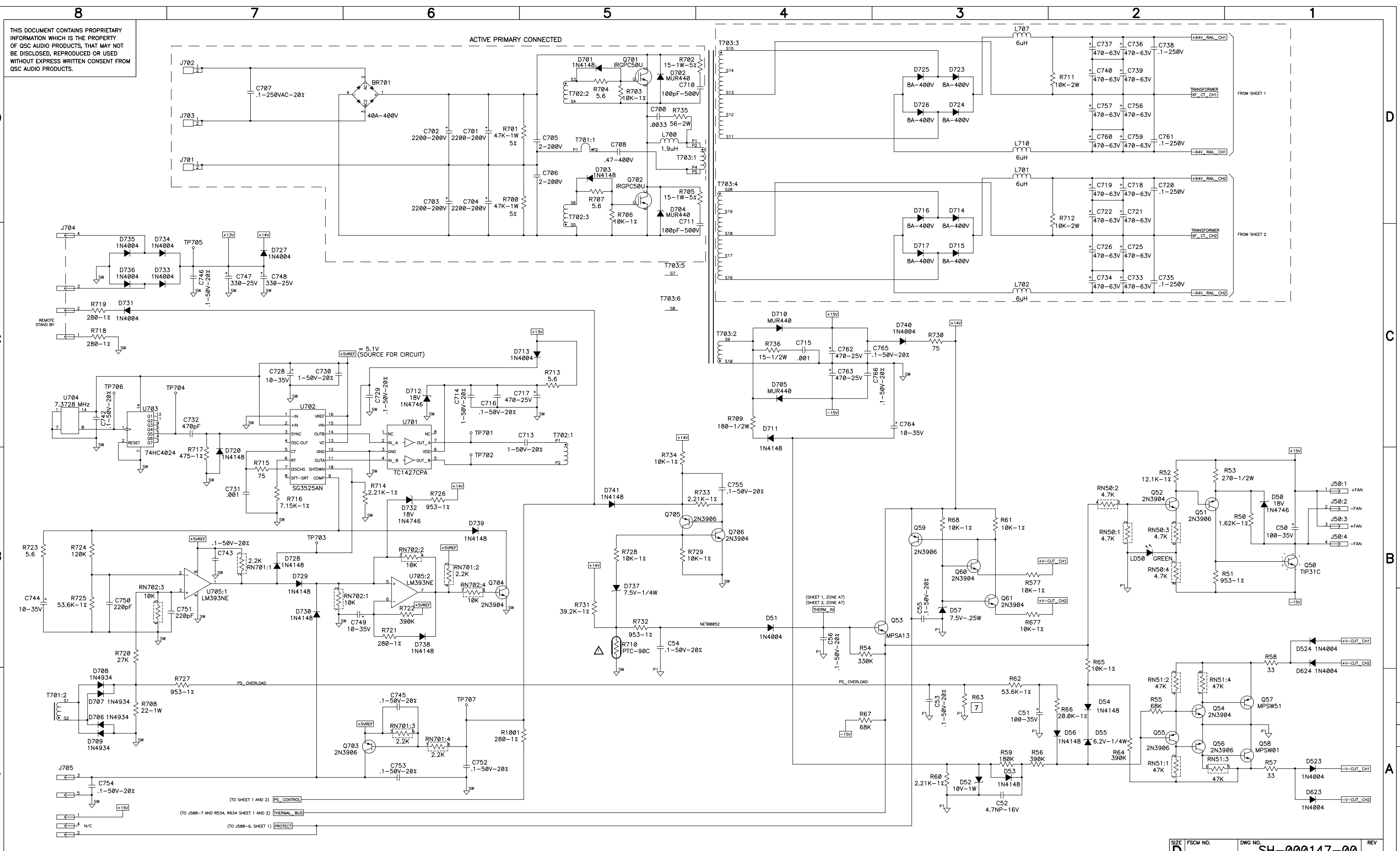
QTY	ITEM NO.	PART NO.	DESCRIPTION	VENDOR
PARTS LIST				
UNLESS OTHERWISE SPECIFIED DIMENSIONS ARE IN INCHES. DIMENSIONS PER ANSI Y14.5-1982 TOLERANCES ARE:			CONTRACT NO.	
DECIMALS	DECIMALS	ANGLES	APPROVALS	
.XX ±	.XXX ±	0	DATE	
DEBURR EDGES .XXX R MAX			DRAWN	
MATERIAL			A. CERRILLO 7-1-96	
FINISH			CHECKED	
NEXT ASSY			A. ARANDA 11-13-96	
USED ON			ISSUED	
APPLICATION			T. SHOOK 11-13-96	
DO NOT SCALE DRAWING			CAD SEED FILE NO.	
SH0147-A.SCH			SH0147-A.SCH	
Thu Sep 28, 2000			Thu Sep 28, 2000	
SCALE NONE			SIZE FSCM NO.	
D			DWG NO.	
SHEET 1 OF 3			SH-000147-00	
PLOT DATE: Thu Sep 28, 2000			REV	

B2 1 SH-000147-00 DWG NO.

THIS DOCUMENT CONTAINS PROPRIETARY INFORMATION WHICH IS THE PROPERTY OF QSC AUDIO PRODUCTS. THAT MAY NOT BE DISCLOSED, REPRODUCED OR USED WITHOUT EXPRESS WRITTEN CONSENT FROM QSC AUDIO PRODUCTS.

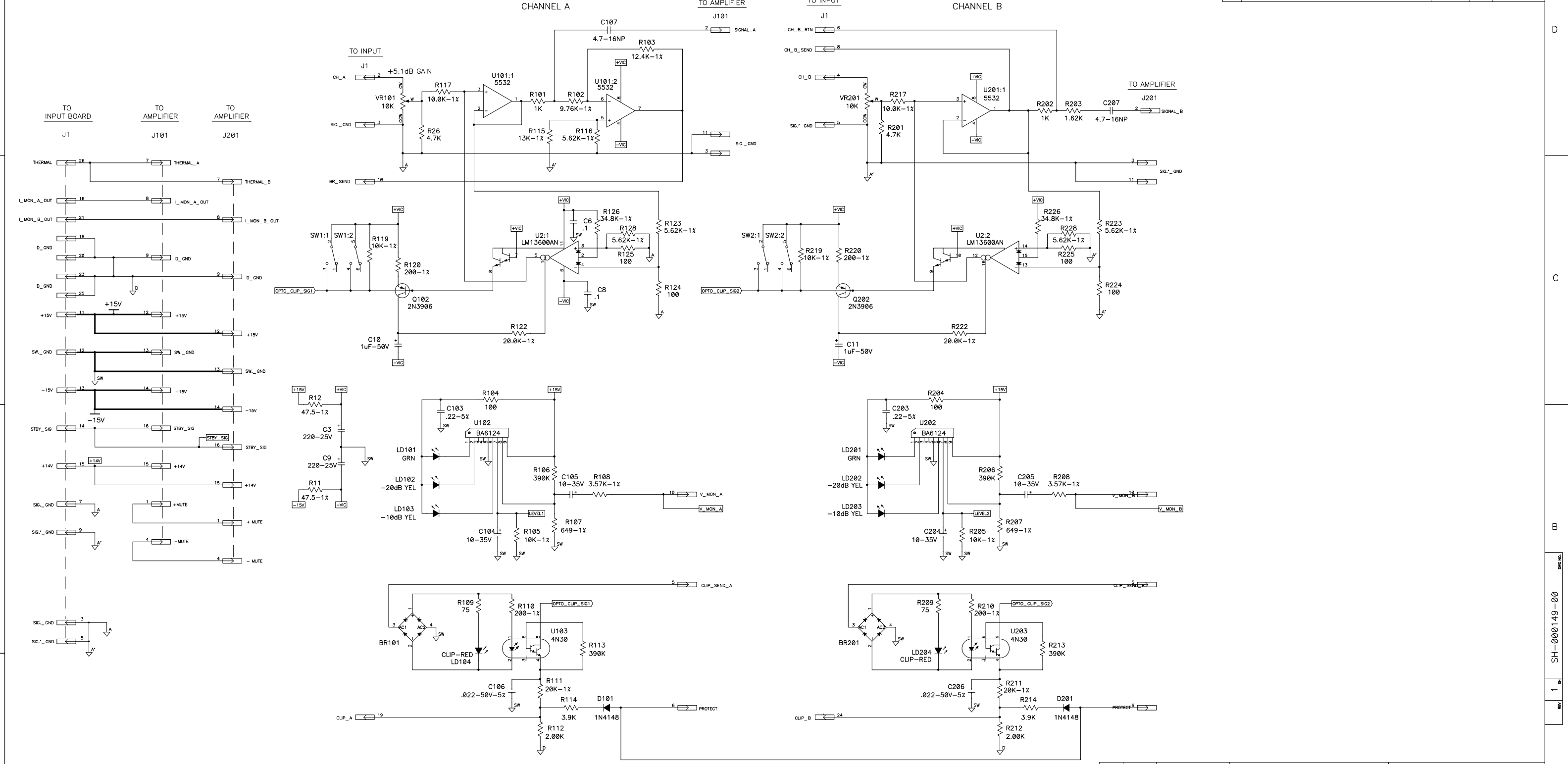


THIS DOCUMENT CONTAINS PROPRIETARY INFORMATION WHICH IS THE PROPERTY OF QSC AUDIO PRODUCTS, THAT MAY NOT BE DISCLOSED, REPRODUCED OR USED WITHOUT EXPRESS WRITTEN CONSENT FROM QSC AUDIO PRODUCTS.



THIS DOCUMENT CONTAINS PROPRIETARY INFORMATION WHICH IS THE PROPERTY OF QSC AUDIO PRODUCTS. THAT MAY NOT BE DISCLOSED, REPRODUCED OR USED WITHOUT EXPRESS WRITTEN CONSENT FROM QSC AUDIO PRODUCTS.

REVISION				
REV	DESCRIPTION	EFF. DATE	CHK	APPROVED / DATE



- 4. PARTS IN COMMON WITH BOTH CHANNELS NUMBERED 1-99.
 - CH 1 COMPONENTS NUMBERED 101-199.
 - CH 2 COMPONENTS NUMBERED 201-299.
 - 3. CAPACITORS ARE IN MICROFARADS, 25V MIN.
 - 2. RESISTORS ARE IN OHMS, 1/4W_400, 5%.
 - 1. THIS DRAWING USED IN CONJUNCTION WITH ASSEMBLY WP-000149-00 AND FABRICATION DRAWING PC-000149-00.
- NOTES: UNLESS OTHERWISE SPECIFIED

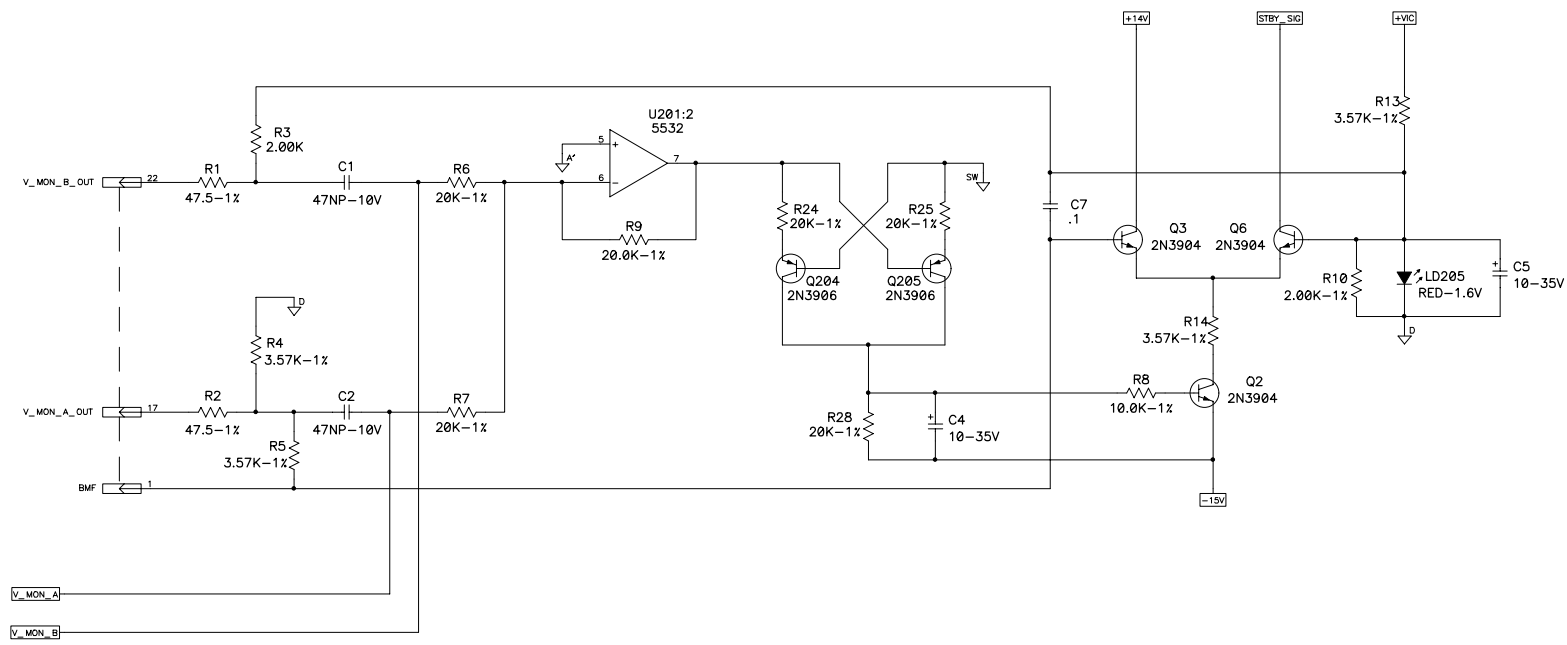
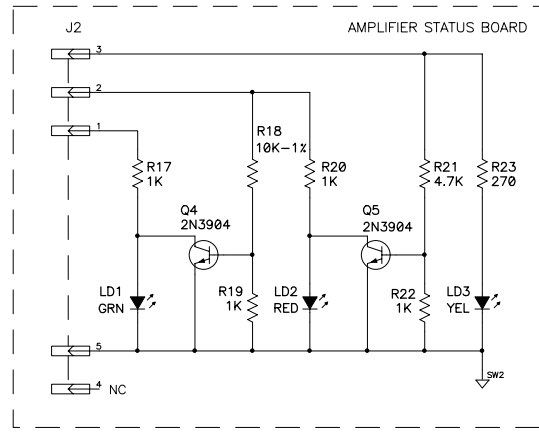
QTY	ITEM NO.	PART NO.	DESCRIPTION	VENDOR
PARTS LIST				
UNLESS OTHERWISE SPECIFIED DIMENSIONS ARE IN INCHES. DIMENSIONS PER ANSI Y14.5-1982 TOLERANCES ARE:			CONTRACT NO.	
DECIMALS	DECIMALS	ANGLES	APPROVALS	
.XX ±	.XXX ±	0	DATE	
DEBURR EDGES .XXX R MAX MATERIAL			DRAWN R. BECKER 3-12-96	
FINISH			CHECKED W. RULAND 8-21-96	
NEXT ASSY USED ON			ISSUED T. SHOOK 8-22-96	
APPLICATION			CAD SEED FILE NO. SH0149-B.SCH Thu May 04, 2000	
DO NOT SCALE DRAWING			SCALE NONE	

SCHEMATIC DIAGRAM
DISPLAY, POWERLIGHT DP

SIZE **D** FSCM NO. **SH-000149-00** DWG NO. **SH-000149-00** REV

SHEET 1 OF 2

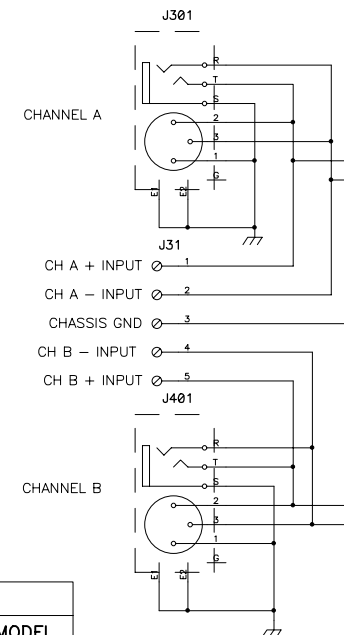
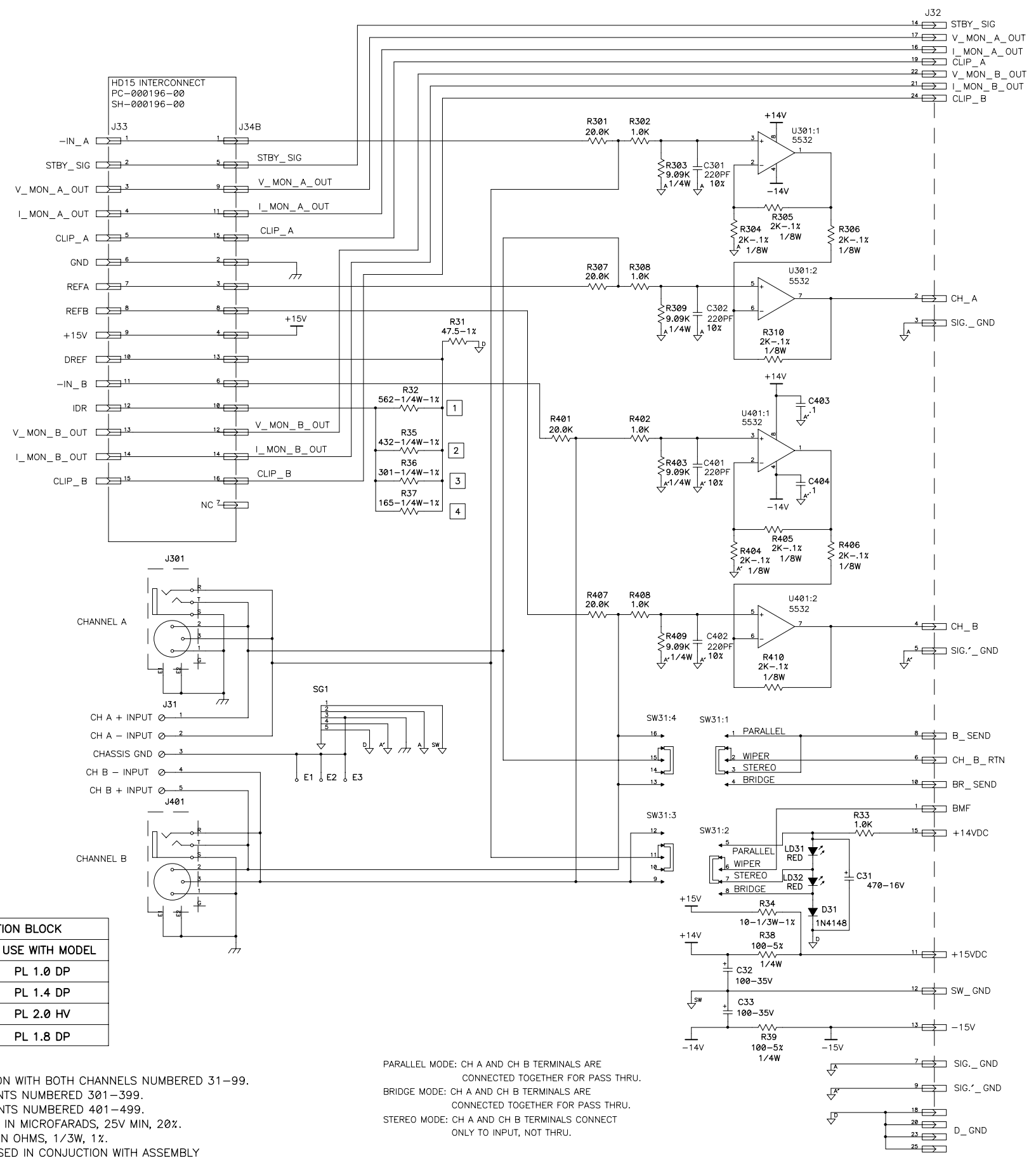
THIS DOCUMENT CONTAINS PROPRIETARY INFORMATION WHICH IS THE PROPERTY OF QSC AUDIO PRODUCTS. THAT MAY NOT BE DISCLOSED, REPRODUCED OR USED WITHOUT EXPRESS WRITTEN CONSENT FROM QSC AUDIO PRODUCTS.



NOTES: UNLESS OTHERWISE SPECIFIED

SIZE D	FSCM NO.	DWG NO. SH-000149-00	REV
SCALE NONE	CAD FILE NO. sh0149-c.sch	SHEET 2	

THIS DOCUMENT CONTAINS PROPRIETARY INFORMATION WHICH IS THE PROPERTY OF QSC AUDIO PRODUCTS. THAT MAY NOT BE DISCLOSED, REPRODUCED OR USED WITHOUT EXPRESS WRITTEN CONSENT FROM QSC AUDIO PRODUCTS.



TABULATION BLOCK		
REF. NO.	USE WITH MODEL	
1	R32	PL 1.0 DP
2	R35	PL 1.4 DP
3	R36	PL 2.0 HV
4	R37	PL 1.8 DP

4. PARTS IN COMMON WITH BOTH CHANNELS NUMBERED 31-99.
 CH A COMPONENTS NUMBERED 301-399.
 CH B COMPONENTS NUMBERED 401-499.
 3. CAPACITORS ARE IN MICROFARADS, 25V MIN, 20%.
 2. RESISTORS ARE IN OHMS, 1/3W, 1%.
 1. THIS DRAWING USED IN CONJUNCTION WITH ASSEMBLY
 WP-000148-00 AND FABRICATION DRAWING PC-000148-00.
 NOTES: UNLESS OTHERWISE SPECIFIED

PARALLEL MODE: CH A AND CH B TERMINALS ARE CONNECTED TOGETHER FOR PASS THRU.
 BRIDGE MODE: CH A AND CH B TERMINALS ARE CONNECTED TOGETHER FOR PASS THRU.
 STEREO MODE: CH A AND CH B TERMINALS CONNECT ONLY TO INPUT, NOT THRU.

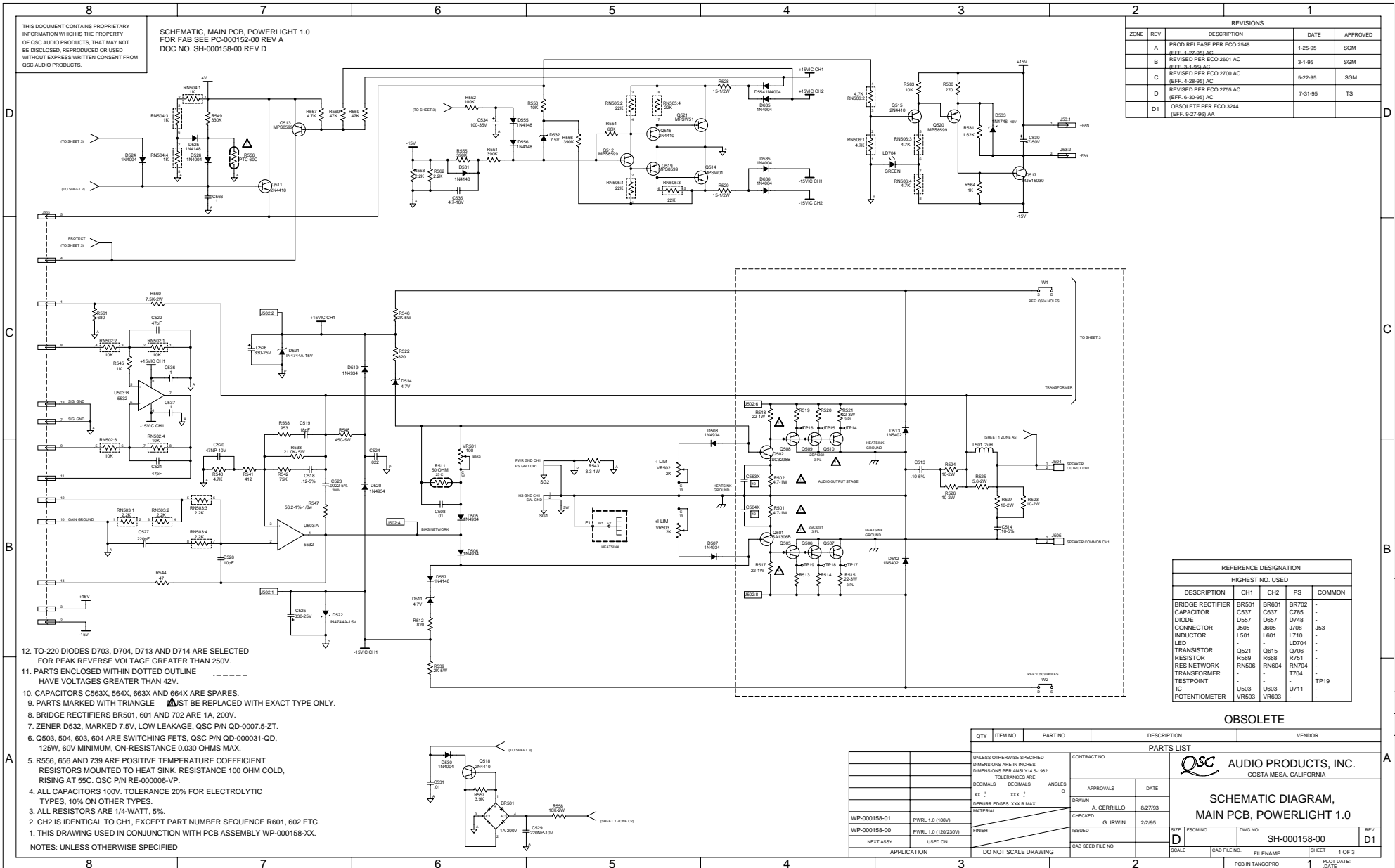
QTY	ITEM NO.	PART NO.	DESCRIPTION	VENDOR
PARTS LIST				
UNLESS OTHERWISE SPECIFIED DIMENSIONS ARE IN INCHES. DIMENSIONS PER ANSI Y14.5-1982 TOLERANCES ARE: DECIMALS DECIMALS ANGLES .xx ± .xxx ± 0			CONTRACT NO.	
DRAWN A. CERRILLO			DATE 2-28-96	
CHECKED W. RULAND			DATE 8-21-96	
ISSUED TIM SHOOK			DATE 8-22-96	
CAD SEED FILE NO. SH0148-2.SCH			SCALE NONE	
APPLICATION POWERLIGHT 1.8 DP			DWG NO. SH-000148-00	
NEXT ASSY USED ON			REV 1	
DO NOT SCALE DRAWING			SHEET 1 OF 1	

SH-000148-00

THIS DOCUMENT CONTAINS PROPRIETARY INFORMATION WHICH IS THE PROPERTY OF QSC AUDIO PRODUCTS, THAT MAY NOT BE DISCLOSED, REPRODUCED OR USED WITHOUT EXPRESS WRITTEN CONSENT FROM QSC AUDIO PRODUCTS.

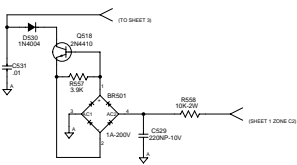
SCHEMATIC, MAIN PCB, POWERLIGHT 1.0
FOR FAB SEE PC-000152-00 REV A
DOC NO. SH-000158-00 REV D

REVISIONS				
ZONE	REV	DESCRIPTION	DATE	APPROVED
A		PROD RELEASE PER ECO 2548 (EFF. 3-27-95) AC	1-25-95	SGM
B		REVISED PER ECO 2601 AC (EFF. 3-1-96) AC	3-1-95	SGM
C		REVISED PER ECO 2700 AC (EFF. 4-29-95) AC	5-22-95	SGM
D		REVISED PER ECO 2755 AC (EFF. 6-30-95) AC	7-31-95	TS
D1		OBSOLETE PER ECO 3244 (EFF. 9-27-96) AA		



12. TO-220 DIODES D703, D704, D713 AND D714 ARE SELECTED FOR PEAK REVERSE VOLTAGE GREATER THAN 250V.
11. PARTS ENCLOSED WITHIN DOTTED OUTLINE HAVE VOLTAGES GREATER THAN 42V.
10. CAPACITORS C563X, 564X, 663X AND 664X ARE SPARES.
9. PARTS MARKED WITH TRIANGLE \blacktriangle MUST BE REPLACED WITH EXACT TYPE ONLY.
8. BRIDGE RECTIFIERS BR501, 601 AND 702 ARE 1A, 200V.
7. ZENER D532, MARKED 7.5V, LOW LEAKAGE, QSC P/N QD-0007.5-ZT.
6. Q503, 504, 603, 604 ARE SWITCHING FETS, QSC P/N QD-000031-QD, 125W, 60V MINIMUM, ON-RESISTANCE 0.030 OHMS MAX.
5. R556, 656 AND 739 ARE POSITIVE TEMPERATURE COEFFICIENT RESISTORS MOUNTED TO HEAT SINK, RESISTANCE 100 OHM COLD, RISING AT 55C. QSC P/N RE-00006-VIP.
4. ALL CAPACITORS 100V. TOLERANCE 20% FOR ELECTROLYTIC TYPES, 10% ON OTHER TYPES.
3. ALL RESISTORS ARE 1/4-WATT, 5%.
2. CH2 IS IDENTICAL TO CH1, EXCEPT PART NUMBER SEQUENCE R601, 602 ETC.
1. THIS DRAWING IS IN CONJUNCTION WITH PCB ASSEMBLY WP-000158-XX.

NOTES: UNLESS OTHERWISE SPECIFIED



REFERENCE DESIGNATION				
HIGHEST NO. USED				
DESCRIPTION	CH1	CH2	PS	COMMON
BRIDGE RECTIFIER	BR501	BR601	BR702	-
CAPACITOR	C537	C637	C785	-
DIODE	D557	D657	D748	-
CONNECTOR	J505	J605	J708	J53
INDUCTOR	L501	L601	L710	-
LED	-	-	LD704	-
TRANSISTOR	Q521	Q615	Q706	-
RESISTOR	R508	R568	RT51	-
RES NETWORK	RN506	RN604	RN704	-
TRANSFORMER	-	-	T704	-
TESTPOINT	-	-	-	TP19
IC	U503	U603	U711	-
POTENTIOMETER	VR503	VR603	-	-

OBSOLETE

QTY	ITEM NO.	PART NO.	DESCRIPTION	VENDOR
PARTS LIST				
UNLESS OTHERWISE SPECIFIED DIMENSIONS ARE IN INCHES. DIMENSIONS PER ANSI Y14.5-1982. TOLERANCES ARE: DECIMALS DECIMALS ANGLES 0 XXX . XXX . XXX . MATERIAL FINISH				
CONTRACT NO.		APPROVALS		
DRAWN		DATE		
CHECKED		G. IRWIN 2/2/95		
ISSUED		A. CERRILLO 8/27/93		
NEXT ASSY		USED ON		
APPLICATION		DO NOT SCALE DRAWING		
CAD SEED FILE NO.		SCALE		
CAD FILE NO.		FILENAME		
SHEET		1 OF 3		
PLOT DATE		DATE		

QSC AUDIO PRODUCTS, INC.
COSTA MESA, CALIFORNIA

SCHEMATIC DIAGRAM, MAIN PCB, POWERLIGHT 1.0

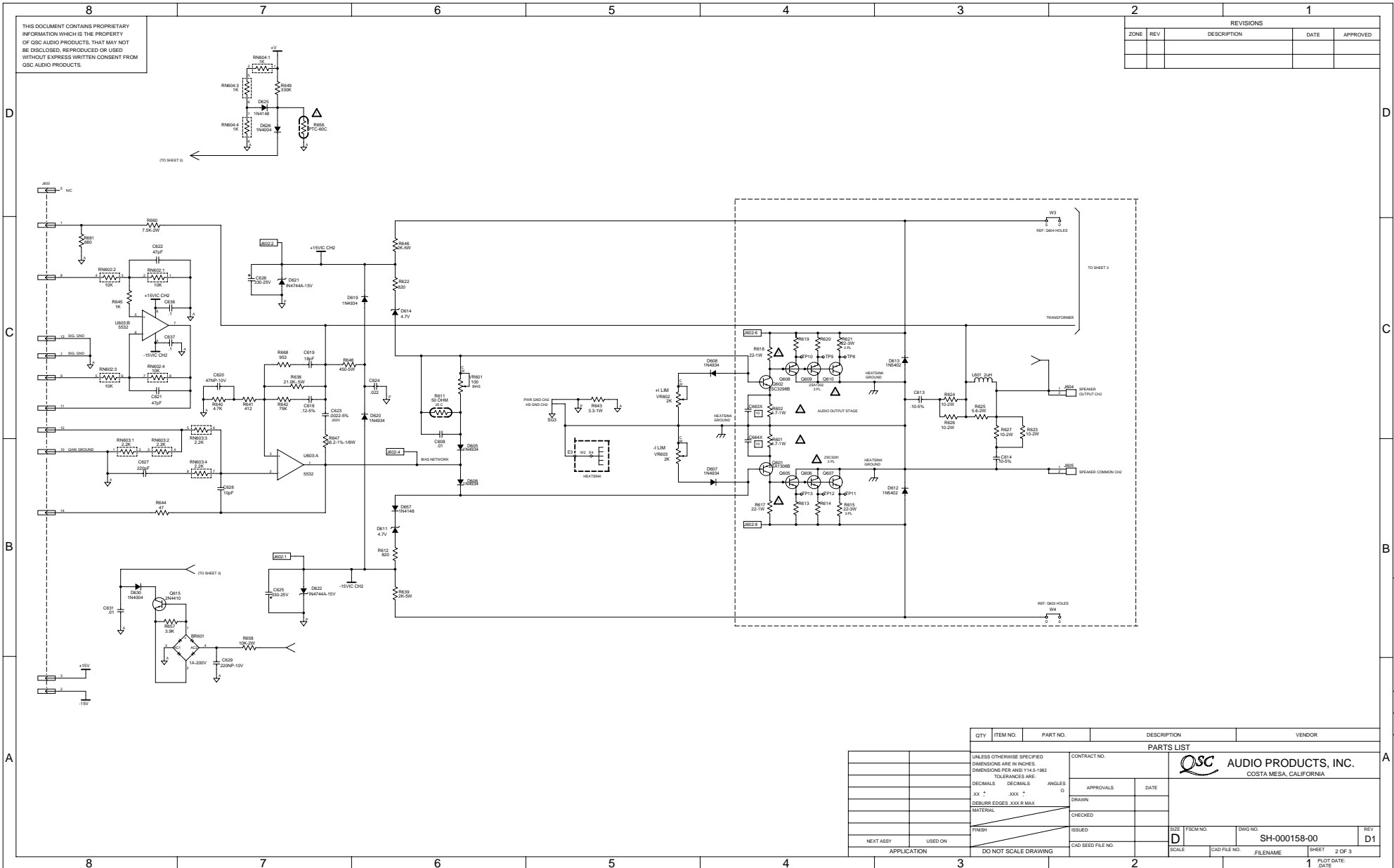
SIZE: **D** DWG NO: **SH-000158-00** REV: **D1**

PCB IN TANDOPRO 1 PLOT DATE

80-851400-1-HS

THIS DOCUMENT CONTAINS PROPRIETARY INFORMATION WHICH IS THE PROPERTY OF QSC AUDIO PRODUCTS. THAT MAY NOT BE DISCLOSED, REPRODUCED OR USED WITHOUT EXPRESS WRITTEN CONSENT FROM QSC AUDIO PRODUCTS.

REVISIONS				
ZONE	REV	DESCRIPTION	DATE	APPROVED



QTY	ITEM NO.	PART NO.	DESCRIPTION	VENDOR
PARTS LIST				
UNLESS OTHERWISE SPECIFIED, DIMENSIONS ARE IN INCHES. DIMENSIONS FOR HOLES ARE IN PARENTHESES. TOLERANCES ARE:			CONTRACT NO.	
DECIMALS	DECIMALS	ANGLES	APPROVALS	DATE
XX .	XXX .	XXX °	DRAWN	
MATERIAL			CHECKED	
FINISH			ISSUED	
NEXT ASSY	USED ON	CAD FILE NO.	SCALE	DWG NO.
APPLICATION	DO NOT SCALE DRAWING		1	SH-000158-00

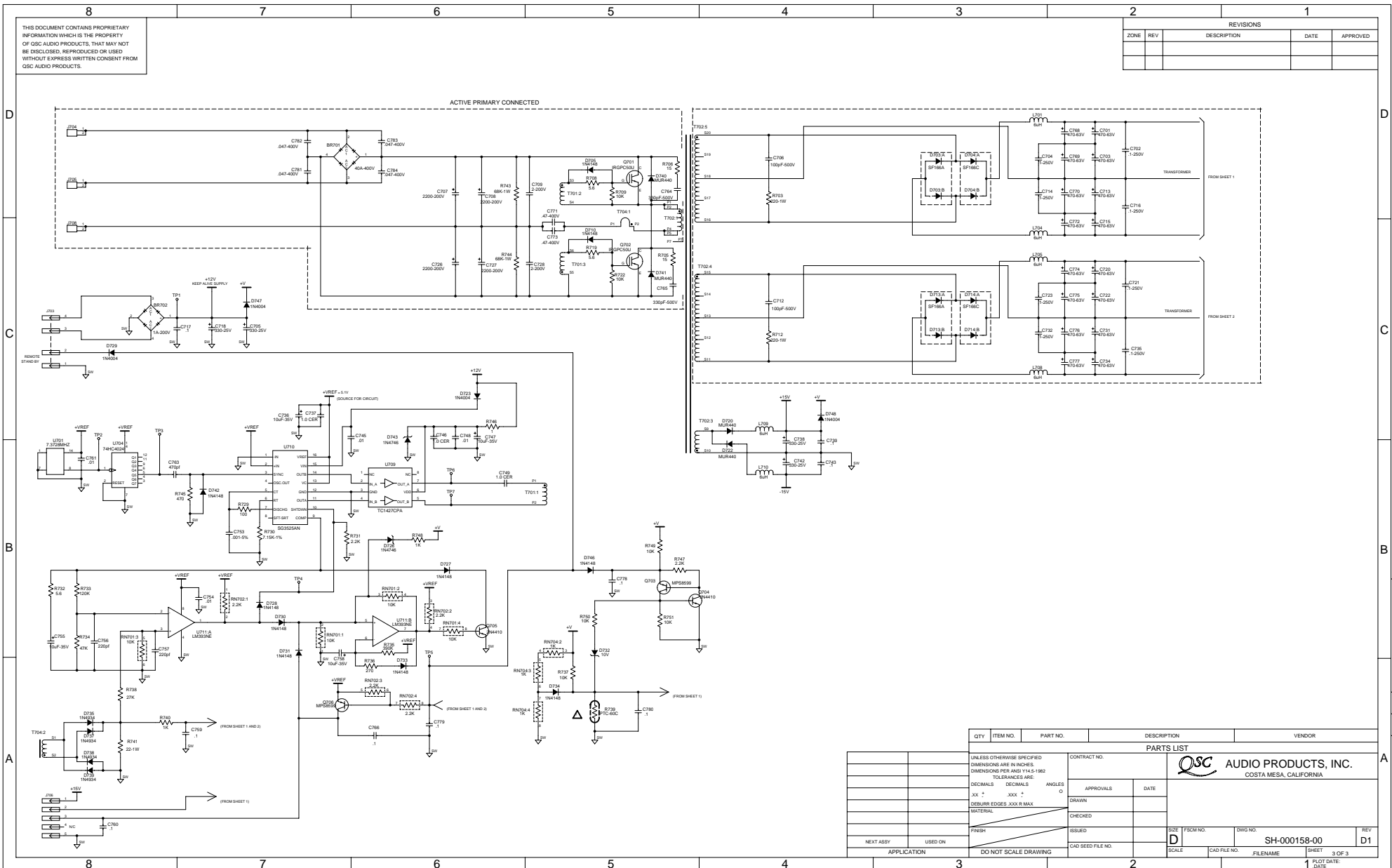
QSC AUDIO PRODUCTS, INC.
COSTA MESA, CALIFORNIA

SIZE: D
SCALE: 1
SHEET: 2 OF 3
REV: D1
DATE:

SH-000158-00

THIS DOCUMENT CONTAINS PROPRIETARY INFORMATION WHICH IS THE PROPERTY OF QSC AUDIO PRODUCTS. THAT MAY NOT BE DISCLOSED, REPRODUCED OR USED WITHOUT EXPRESS WRITTEN CONSENT FROM QSC AUDIO PRODUCTS.

REVISIONS				
ZONE	REV	DESCRIPTION	DATE	APPROVED



QTY	ITEM NO.	PART NO.	DESCRIPTION	VENDOR
PARTS LIST				
UNLESS OTHERWISE SPECIFIED DIMENSIONS ARE IN INCHES DIMENSIONS PER ASST 114.5-192 TOLERANCES ARE:			CONTRACT NO.	
DECIMALS	DECIMALS	ANGLES	APPROVALS	
XX .	XXX .	D	DATE	
DRAWN			CHECKED	
ISSUED			SCALE	
NEXT ASSY			CAD FILE NO.	
USED ON			FILENAME	
APPLICATION			SHEET 3 OF 3	
DO NOT SCALE DRAWING			PLOT DATE:	

QSC AUDIO PRODUCTS, INC.
COSTA MESA, CALIFORNIA

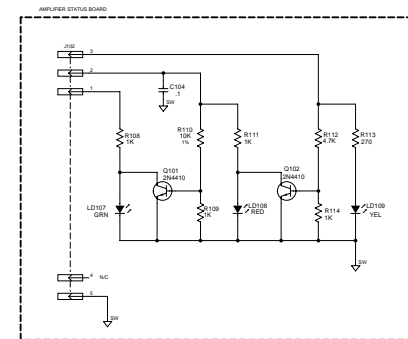
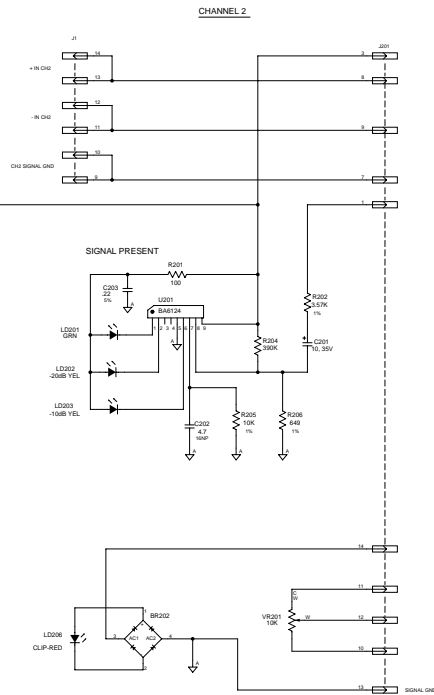
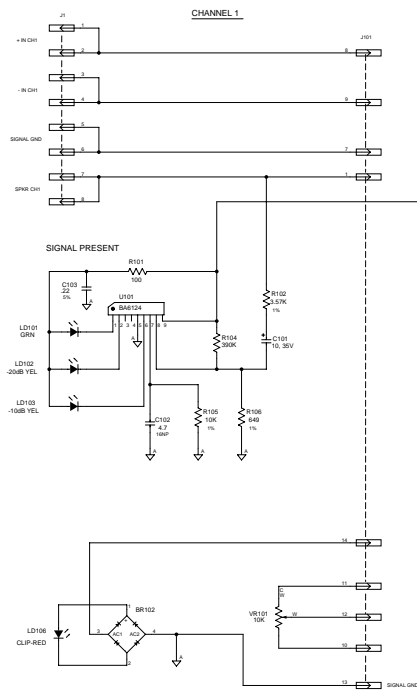
SH-00158-00
D1

SH-00158-00-1

THIS DOCUMENT CONTAINS PROPRIETARY INFORMATION WHICH IS THE PROPERTY OF QSC AUDIO PRODUCTS. THAT MAY NOT BE DISCLOSED, REPRODUCED OR USED WITHOUT EXPRESS WRITTEN CONSENT FROM QSC AUDIO PRODUCTS.

SCHEMATIC DIAGRAM, DISPLAY BOARD, POWERLIGHT FOR PC-000153-00 REV A
DOC NO. SH-000153-00 REV A

REVISIONS				
ZONE	REV	DESCRIPTION	DATE	APPROVED
	3	INCORP ENG DESIGN CHANGES	8-1-94	
	4	INCORP ENG DESIGN CHANGES	9-29-94	
	A	PROD REL, ECO 2546, BRL		



- LD101, LD201, LD102, LD202, HIGH-EFFICIENCY GREEN LED.
 - LD103, LD203, LD104, LD204, HIGH-EFFICIENCY RED LED.
 - PARTS IN COMMON TO BOTH CHANNELS NUMBERED 1-99.
 - CH 2 COMPONENTS NUMBERED 201-299.
 - CH 1 COMPONENTS NUMBERED 101-199.
 - ALL RESISTORS VALUES ARE IN OHMS +/-5%, 1/4 W.
 - ALL CAPACITORS VALUES ARE IN MICROFARADS, 25V MIN.
- NOTES: UNLESS OTHERWISE SPECIFIED

QTY	ITEM NO.	PART NO.	DESCRIPTION	VENDOR
	VR101,201			
	U101,201			
	R114,206	R103,107,203		
	C102			
	LD109,206	LD104,105,204,205		
	J1,102,201			
	C104,203			
	BR102,202	BR101,201		
	LAST USED	NOT USED	NEXT ASSY	USED ON
	REFERENCE DESIGNATION	APPLICATION	DO NOT SCALE DRAWING	

UNLESS OTHERWISE SPECIFIED		CONTRACT NO.	
DIMENSIONS ARE IN INCHES			
DIMENSIONS PER ANSI Y14.5-1982			
TOLERANCES ARE:			
DECIMALS	DECIMALS	ANGLES	D
XX ±	XXX ±		
DEBURR EDGES XXX.9 MAX			
MATERIAL			
FINISH			
ISSUED			
CAD SEED FILE NO.			

APPROVALS	DATE	SCALE	FIG. NO.	DWG. NO.	REV
B. LILLEMOEN	7/11/94	NONE		SH0153A1	A

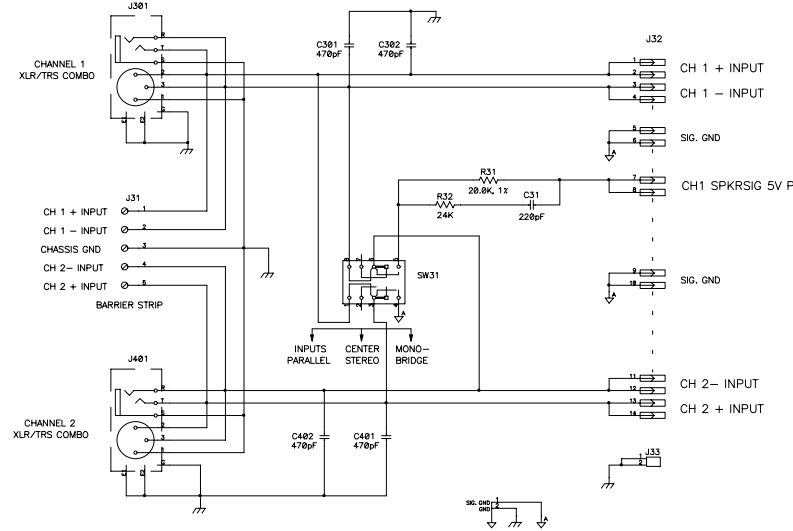
PARTS LIST			
QSC AUDIO PRODUCTS, INC. COSTA MESA, CALIFORNIA			
SCHEMATIC DIAGRAM, DISPLAY BOARD, POWERLIGHT			
SIZE	FIG. NO.	DWG. NO.	REV
D		SH-000153-00	A
SCALE	NONE	CAD FILE NO.	SHEET 1 OF 1

SH-000153-00

THIS DOCUMENT CONTAINS PROPRIETARY INFORMATION WHICH IS THE PROPERTY OF QSC AUDIO PRODUCTS. THAT MAY NOT BE DISCLOSED, REPRODUCED OR USED WITHOUT EXPRESS WRITTEN CONSENT FROM QSC AUDIO PRODUCTS.

SCHEMATIC DIAGRAM, INPUT, POWERLIGHT
FOR PC-000153-00 REV A
DOC NO. SH-000153-00 REV A

REVISION				
REV	DESCRIPTION	EFF. DATE	CHK	APPROVED / DATE
A	PRODUCTION RELEASE PER ECO 2546, BRL	1-18-95	SM	
A1	OBSOLETE PER ECO 3243	9-24-96	CCB	



2. ALL CAPACITORS VALUES ARE IN MICROFARAD, 100V, +/-10%.
1. ALL RESISTORS ARE IN OHMS, +/-5%, 1/4W.
NOTES: UNLESS OTHERWISE SPECIFIED

QTY	ITEM NO.	PART NO.	DESCRIPTION	VENDOR
PARTS LIST				
UNLESS OTHERWISE SPECIFIED DIMENSIONS ARE IN INCHES. DIMENSIONS PER ANSI Y14.5-1982 TOLERANCES ARE: DECIMALS DECIMALS ANGLES XXX ± XXX ± 0			CONTRACT NO. QSC AUDIO PRODUCTS, INC. COSTA MESA, CALIFORNIA	
DRAWN A. CERRILLO			APPROVALS	DATE
CHECKED			9-22-94	
MATERIAL			SCHEMATIC DIAGRAM	
FINISH			INPUT, POWERLIGHT 1.8	
NEXT ASSY USED ON			ISSUED	SCALE
APPLICATION			DO NOT SCALE DRAWING	SCALE
			CAD FILE NO. SH0154A1.SCH	Max. File Size: 200K
			CAD FILE NO. SH0154A1.SCH	SCALE NONE
			SIZE D	DRG NO. SH-000154-00
			REV A1	SHEET 1 OF 1

SH-000154-00

4

3

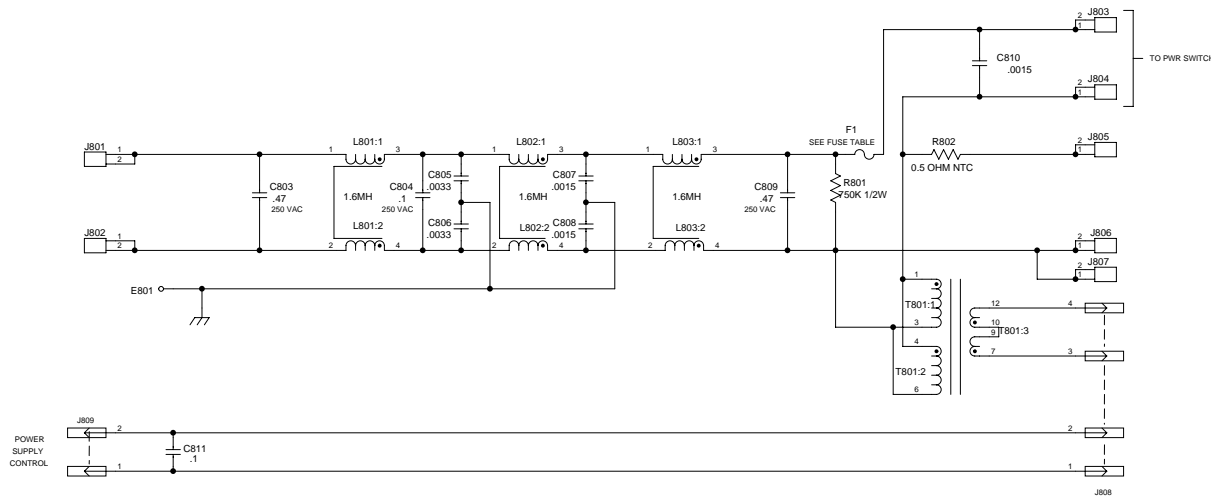
2

1

THIS DOCUMENT CONTAINS PROPRIETARY INFORMATION WHICH IS THE PROPERTY OF QSC AUDIO PRODUCTS. THAT MAY NOT BE DISCLOSED, REPRODUCED OR USED WITHOUT EXPRESS WRITTEN CONSENT FROM QSC AUDIO PRODUCTS.

SCHEMATIC DIAGRAM, AC FILTER, POWERLIGHT FOR PC-000155-00, REV B DOC NO. SH-000155-00, REV B

REVISIONS				
ZONE	REV	DESCRIPTION	DATE	APPROVED
	3	INCCORP ENG DESIGN CHANGES	9-29-94	
	A	PROD REL PER ECO 2546, BRL	1-18-95	SGM
	B	ECO2582, (EFF 2-15-95)		



POWERLIGHT 100V AND 120V CONFIGURATIONS

FUSE TABLE

MODEL	FUSE VALUE
PL1.0	20A
PL1.4	20A
PL1.8	25A

2. ALL CAPACITOR VALUES ARE IN MICROFARADS, 125 VAC, +/-20%.

1. ALL RESISTOR VALUES ARE IN OHMS, 1/4 WATT, +/-5%.

NOTES: UNLESS OTHERWISE SPECIFIED

QTY	ITEM NO.	PART NO.	DESCRIPTION	VENDOR
PARTS LIST				
UNLESS OTHERWISE SPECIFIED DIMENSIONS ARE IN INCHES. DIMENSIONS PER ANSI Y14.5-1982		CONTRACT NO.		
TOLERANCES ARE: DECIMALS DECIMALS ANGLES .XX ± .XXX ± °		APPROVALS DATE		
DEBURR EDGES .XXX R MAX		DRAWN B. LILLEMOEN 7-13-94		SCHEMATIC DIAGRAM, AC FILTER, POWERLIGHT
MATERIAL		CHECKED SGM 1-18-95		
FINISH		ISSUED S.G. MORALES 1-19-95		SIZE C FSCM NO. DWG NO. SH-000155-00 REV B
NEXT ASSY USED ON		CAD SEED FILE NO.		SCALE NONE CAD FILE NO. SH0155B1.S01 SHEET 1 OF 1
APPLICATION		DO NOT SCALE DRAWING		

4

3

2

1