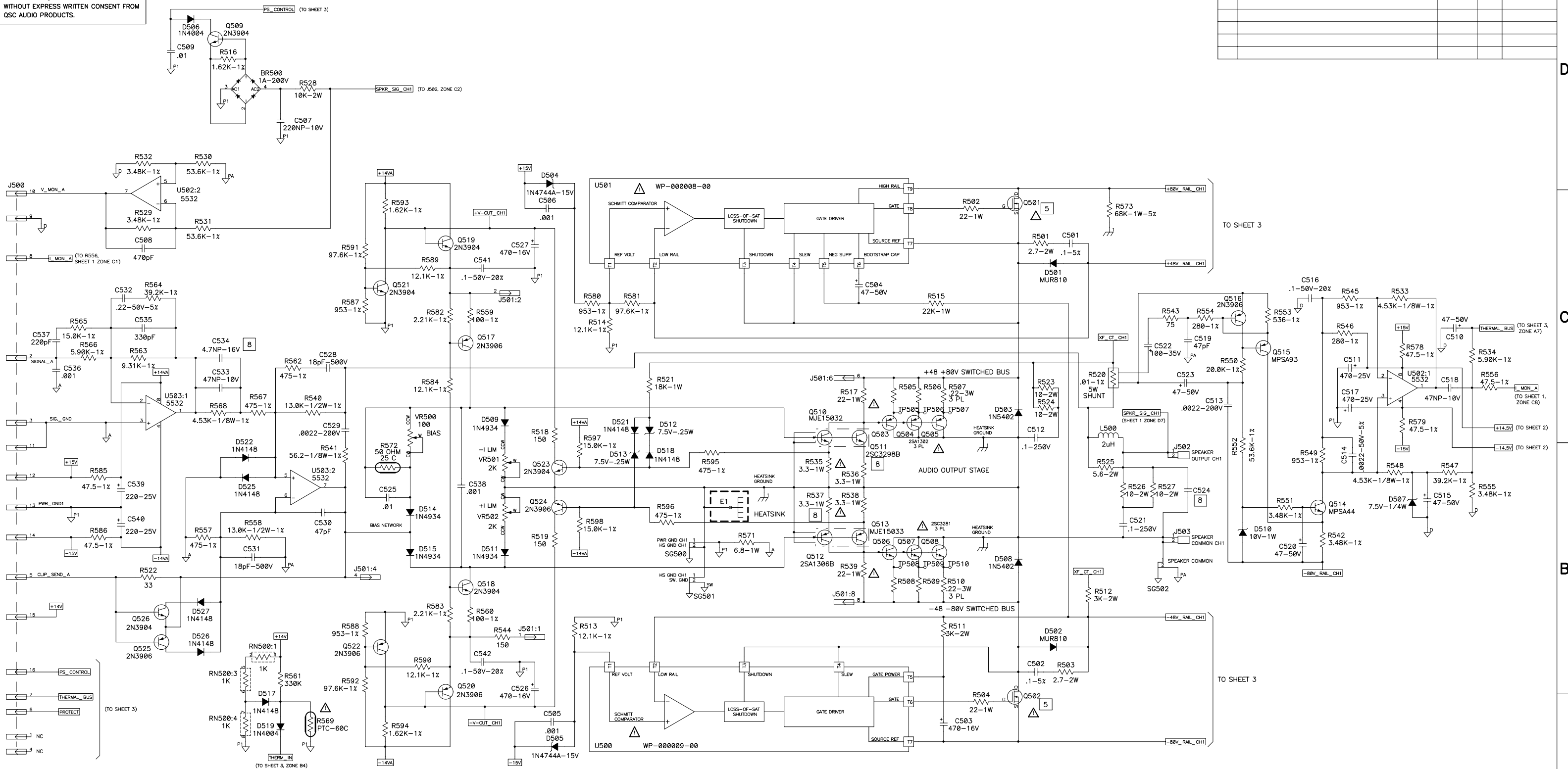


THIS DOCUMENT CONTAINS PROPRIETARY INFORMATION WHICH IS THE PROPERTY OF QSC AUDIO PRODUCTS. THAT MAY NOT BE DISCLOSED, REPRODUCED OR USED WITHOUT EXPRESS WRITTEN CONSENT FROM QSC AUDIO PRODUCTS.

REVISION			
REV	DESCRIPTION	EFF. DATE	CHK / APPROVED / DATE



5. Q501, 502, 601, 602 ARE SWITCHING FETS, QSC P/N QD-000031-QD, 125W, 60V MINIMUM, ON-RESISTANCE 0.030 OHMS MAX.
4. R569, 669 ARE POSITIVE TEMPERATURE COEFFICIENT RESISTORS MOUNTED TO HEAT SINK. RESISTANCE 100 OHM COLD, RISING AT 55C. QSC P/N RE-000006-VP. R710 IS MOUNTED TO SIDE OF T703. QSC P/N RE-000009-PT.
3. ALL CAPACITORS 100V. TOLERANCE 20% FOR ELECTROLYTIC TYPES, 10% ON OTHER TYPES.
2. ALL RESISTORS ARE 1/4-WATT, 5%.
1. THIS DRAWING USED IN CONJUNCTION WITH ASSEMBLY WP-000146-XX.
- NOTES: UNLESS OTHERWISE SPECIFIED

- 8 COMPONENTS C524, C624, C534, C634, Q511, Q512, Q611, Q612, R63, R536, R537, R636, R637 ARE SPARES AND ARE NOT LISTED IN THE BILL OF MATERIALS.
7. PARTS MARKED WITH TRIANGLE Δ MUST BE REPLACED WITH EXACT TYPE ONLY.
6. ZENERS D507, 512, 513, 607, 612, 613 AND D737, MARKED 7.5V, LOW LEAKAGE, QSC P/N QD-0007.5-ZT. ZENER D55, MARKED 6.2V, LOW LEAKAGE, QSC P/N QD-000024-QD.

QTY	ITEM NO.	PART NO.	DESCRIPTION	VENDOR
PARTS LIST				
UNLESS OTHERWISE SPECIFIED DIMENSIONS ARE IN INCHES. DIMENSIONS PER ANSI Y14.5-1982 TOLERANCES ARE: DECIMALS DECIMALS ANGLES .XX ± .XXX ± °			CONTRACT NO.	
DEBURR EDGES .XXX R MAX MATERIAL			APPROVALS DATE	
FINISH			DRAWN A. CERRILLO 7-1-96	
NEXT ASSY USED ON			CHECKED A. ARANDA 11-13-96	
APPLICATION			ISSUED T. SHOOK 11-13-96	
DO NOT SCALE DRAWING			CAD SEED FILE NO. SH0146-A.SCH Thu Sep 28, 2000	

QSC AUDIO PRODUCTS, INC.
COSTA MESA, CALIFORNIA

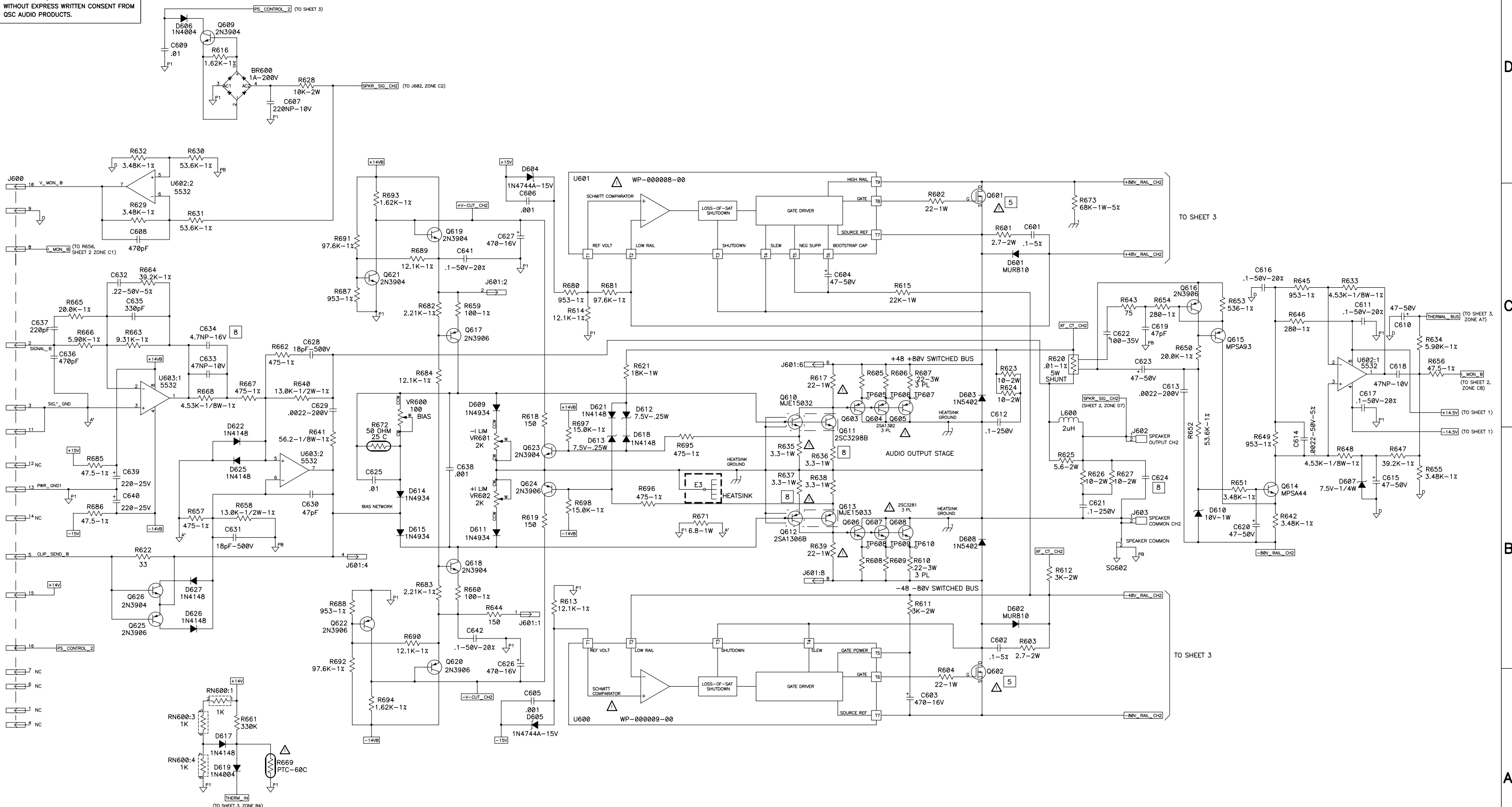
SCHEMATIC DIAGRAM
MAIN PCB, POWERLIGHT 1.4DP

SIZE **D** FSCM NO. DWG NO. **SH-000146-00** REV

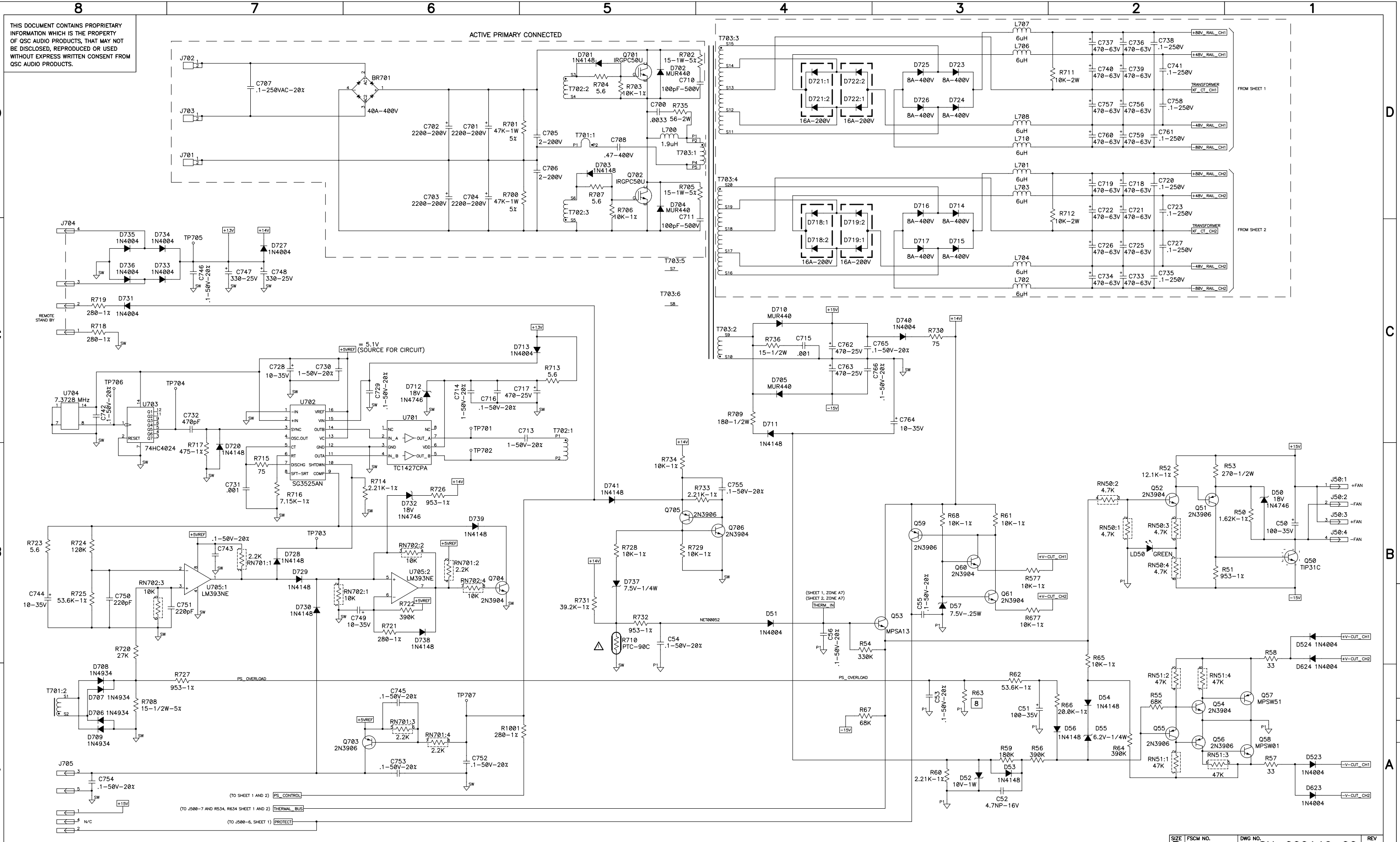
SCALE NONE CAD FILE NO. SHPL14DP.sch SHEET 1 OF 3
PLOT DATE: Thu Sep 28, 2000

DWG NO. SH-000146-00

THIS DOCUMENT CONTAINS PROPRIETARY INFORMATION WHICH IS THE PROPERTY OF QSC AUDIO PRODUCTS, THAT MAY NOT BE DISCLOSED, REPRODUCED OR USED WITHOUT EXPRESS WRITTEN CONSENT FROM QSC AUDIO PRODUCTS.

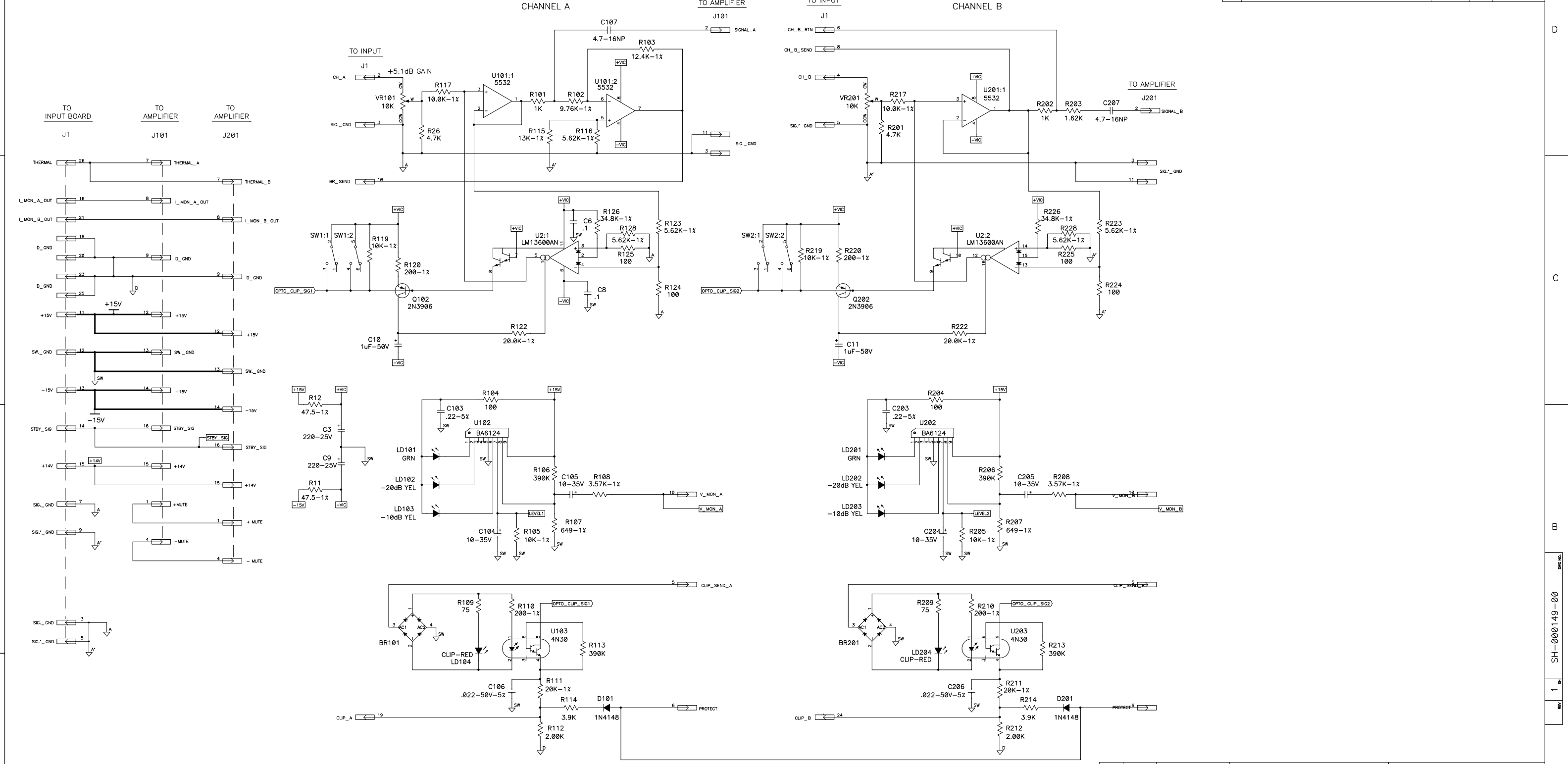


THIS DOCUMENT CONTAINS PROPRIETARY INFORMATION WHICH IS THE PROPERTY OF QSC AUDIO PRODUCTS, THAT MAY NOT BE DISCLOSED, REPRODUCED OR USED WITHOUT EXPRESS WRITTEN CONSENT FROM QSC AUDIO PRODUCTS.



THIS DOCUMENT CONTAINS PROPRIETARY INFORMATION WHICH IS THE PROPERTY OF QSC AUDIO PRODUCTS. THAT MAY NOT BE DISCLOSED, REPRODUCED OR USED WITHOUT EXPRESS WRITTEN CONSENT FROM QSC AUDIO PRODUCTS.

REVISION				
REV	DESCRIPTION	EFF. DATE	CHK	APPROVED / DATE



4. PARTS IN COMMON WITH BOTH CHANNELS NUMBERED 1-99.
 CH 1 COMPONENTS NUMBERED 101-199.
 CH 2 COMPONENTS NUMBERED 201-299.
 3. CAPACITORS ARE IN MICROFARADS, 25V MIN.
 2. RESISTORS ARE IN OHMS, 1/4W_400, 5%.
 1. THIS DRAWING USED IN CONJUNCTION WITH ASSEMBLY WP-000149-00 AND FABRICATION DRAWING PC-000149-00.
 NOTES: UNLESS OTHERWISE SPECIFIED

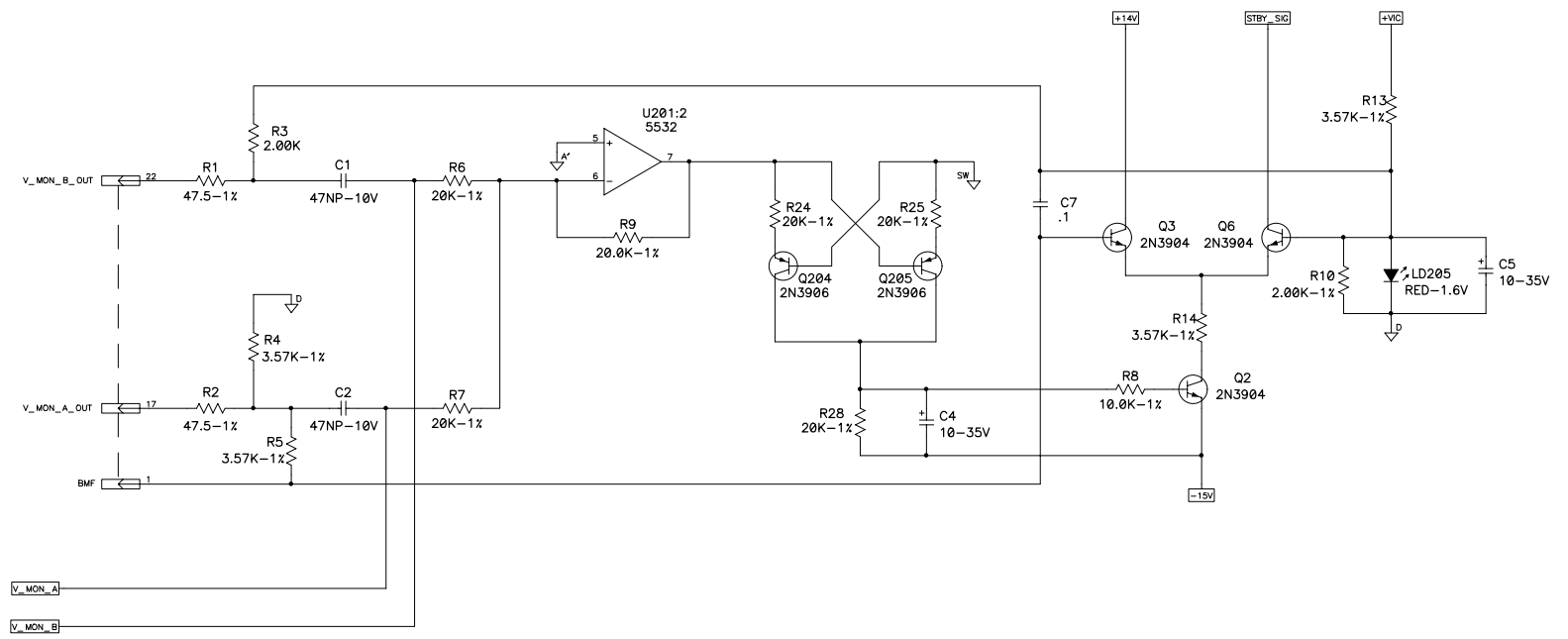
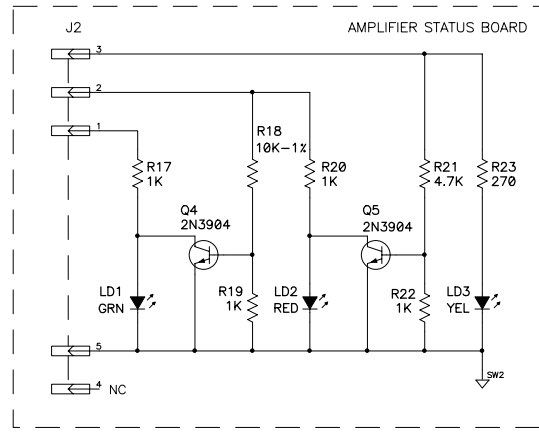
QTY	ITEM NO.	PART NO.	DESCRIPTION	VENDOR
PARTS LIST				
UNLESS OTHERWISE SPECIFIED DIMENSIONS ARE IN INCHES. DIMENSIONS PER ANSI Y14.5-1982 TOLERANCES ARE:		CONTRACT NO.		
DECIMALS .XX ±	DECIMALS .XXX ±	ANGLES 0	APPROVALS	DATE
DEBURR EDGES .XXX R MAX MATERIAL			R. BECKER	3-12-96
FINISH			W. RULAND	8-21-96
POWERLIGHT DP			T. SHOOK	8-22-96
NEXT ASSY	USED ON		CAD SEED FILE NO. SH0149-B.SCH	Thu May 04, 2000
APPLICATION	DO NOT SCALE DRAWING		SCALE NONE	CAD FILE NO. sh0149-c.sch

QSC AUDIO PRODUCTS, INC.
 COSTA MESA, CALIFORNIA
SCHEMATIC DIAGRAM
DISPLAY, POWERLIGHT DP

DWG NO. SH-000149-00
 REV

SHEET 1 OF 2

THIS DOCUMENT CONTAINS PROPRIETARY INFORMATION WHICH IS THE PROPERTY OF QSC AUDIO PRODUCTS. THAT MAY NOT BE DISCLOSED, REPRODUCED OR USED WITHOUT EXPRESS WRITTEN CONSENT FROM QSC AUDIO PRODUCTS.

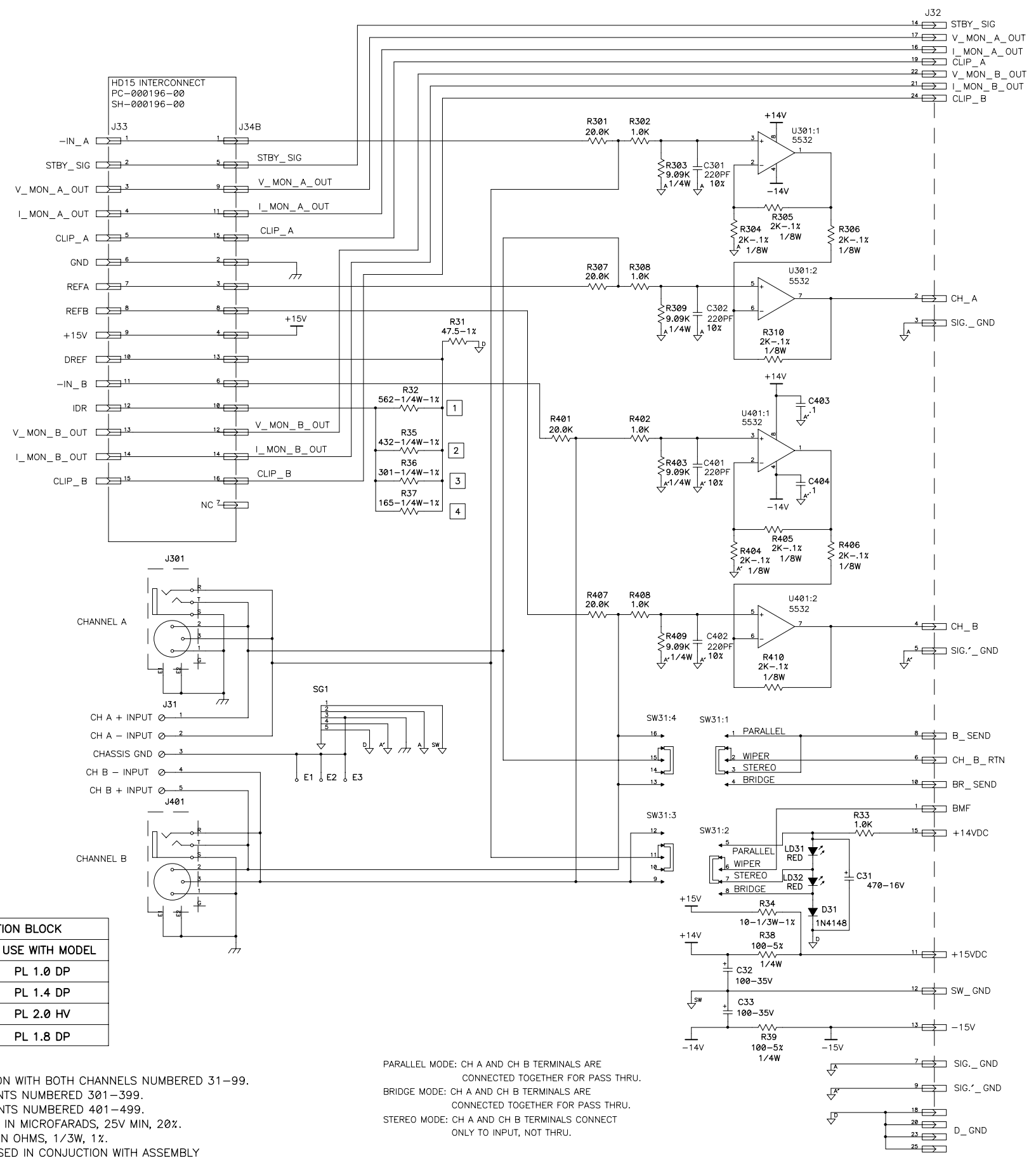


NOTES: UNLESS OTHERWISE SPECIFIED

SIZE D	FSCM NO.	DWG NO. SH-000149-00	REV
SCALE NONE	CAD FILE NO. sh0149-c.sch	SHEET 2	

SH-000149-00

THIS DOCUMENT CONTAINS PROPRIETARY INFORMATION WHICH IS THE PROPERTY OF QSC AUDIO PRODUCTS. THAT MAY NOT BE DISCLOSED, REPRODUCED OR USED WITHOUT EXPRESS WRITTEN CONSENT FROM QSC AUDIO PRODUCTS.



TABULATION BLOCK		
REF. NO.	USE WITH MODEL	
1	R32	PL 1.0 DP
2	R35	PL 1.4 DP
3	R36	PL 2.0 HV
4	R37	PL 1.8 DP

4. PARTS IN COMMON WITH BOTH CHANNELS NUMBERED 31-99.
 CH A COMPONENTS NUMBERED 301-399.
 CH B COMPONENTS NUMBERED 401-499.
 3. CAPACITORS ARE IN MICROFARADS, 25V MIN, 20%.
 2. RESISTORS ARE IN OHMS, 1/3W, 1%.
 1. THIS DRAWING USED IN CONJUNCTION WITH ASSEMBLY
 WP-000148-00 AND FABRICATION DRAWING PC-000148-00.
 NOTES: UNLESS OTHERWISE SPECIFIED

PARALLEL MODE: CH A AND CH B TERMINALS ARE CONNECTED TOGETHER FOR PASS THRU.
 BRIDGE MODE: CH A AND CH B TERMINALS ARE CONNECTED TOGETHER FOR PASS THRU.
 STEREO MODE: CH A AND CH B TERMINALS CONNECT ONLY TO INPUT, NOT THRU.

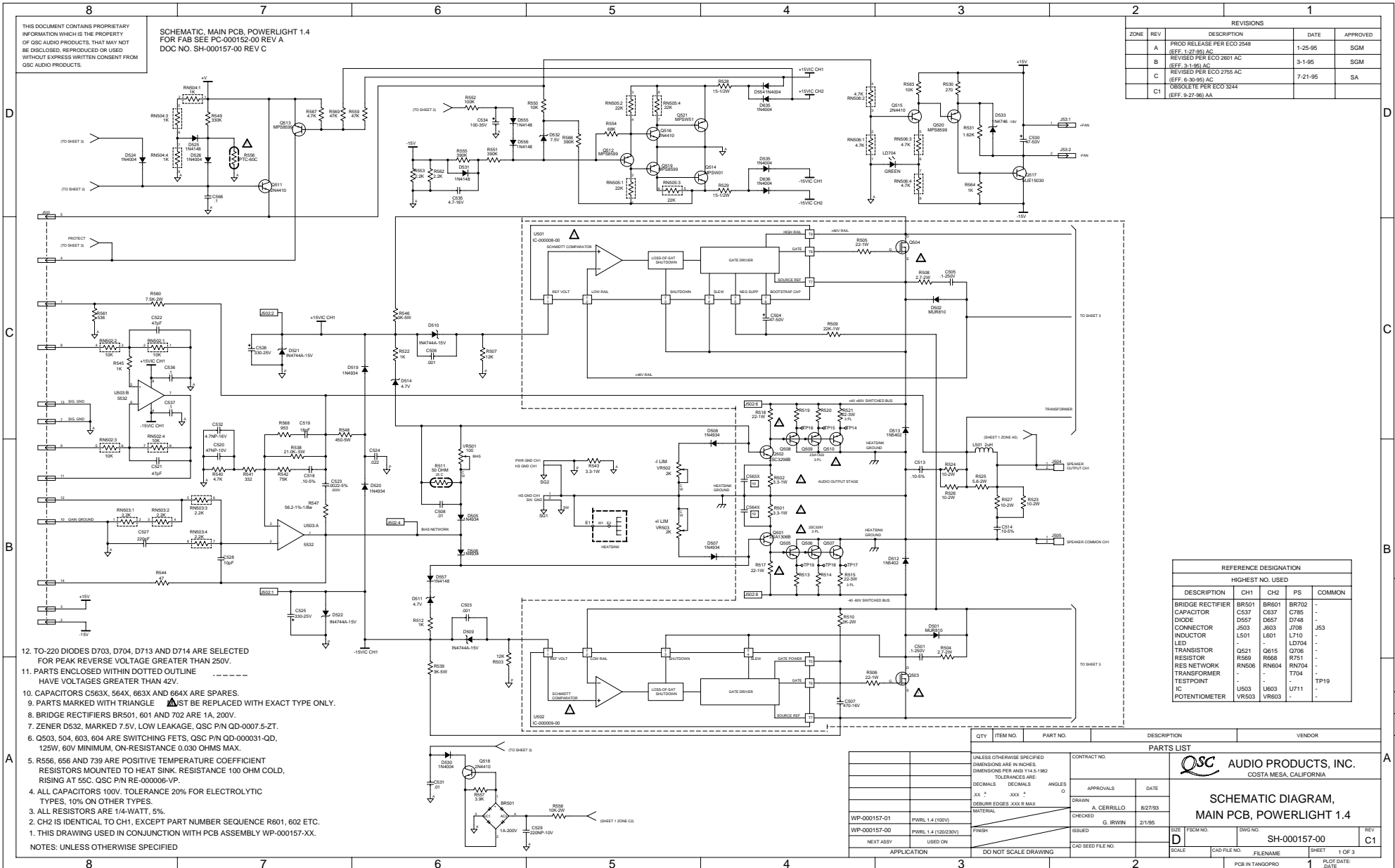
QTY	ITEM NO.	PART NO.	DESCRIPTION	VENDOR
PARTS LIST				
UNLESS OTHERWISE SPECIFIED DIMENSIONS ARE IN INCHES. DIMENSIONS PER ANSI Y14.5-1982 TOLERANCES ARE: DECIMALS DECIMALS ANGLES .xx ± .xxx ± 0 DEBURR EDGES .XXX R MAX MATERIAL			QSC AUDIO PRODUCTS, INC. COSTA MESA, CALIFORNIA SCHEMATIC DIAGRAM INPUT, POWERLIGHT 1.8 DP	
DRAWN A. CERRILLO		DATE 2-28-96		CONTRACT NO. APPROVALS TIM SHOOK 8-22-96
CHECKED W. RULAND		DATE 8-21-96		
WP-000148-00	POWERLIGHT 1.8 DP	SIZE D	FSCM NO. SH-000148-00	REV 1
NEXT ASSY	USED ON	SCALE NONE	CAD FILE NO. SH0148-2.SCH	DATE Thu May 04 2000
APPLICATION		DO NOT SCALE DRAWING		
		SCALE	CAD FILE NO.	SHEET 1 OF 1

SH-000148-00

THIS DOCUMENT CONTAINS PROPRIETARY INFORMATION WHICH IS THE PROPERTY OF QSC AUDIO PRODUCTS, THAT MAY NOT BE DISCLOSED, REPRODUCED OR USED WITHOUT EXPRESS WRITTEN CONSENT FROM QSC AUDIO PRODUCTS.

SCHEMATIC, MAIN PCB, POWERLIGHT 1.4 FOR FAB SEE PC-000152-00 REV A DOC NO. SH-000157-00 REV C

REVISIONS				
ZONE	REV	DESCRIPTION	DATE	APPROVED
A		PRD RELEASE PER ECO 2548 (EFF. 1-27-95) AC	1-25-95	SGM
B		REVISED PER ECO 2601 AC (EFF. 3-1-95) AC	3-1-95	SGM
C		REVISED PER ECO 2755 AC (EFF. 6-30-95) AC	7-21-95	SA
C1		OBSOLETE PER ECO 3244 (EFF. 9-27-95) AA		



1. THIS DRAWING USED IN CONJUNCTION WITH PCB ASSEMBLY WP-000157-XX.
2. CH2 IS IDENTICAL TO CH1, EXCEPT PART NUMBER SEQUENCE R601, 602 ETC.
3. ALL RESISTORS ARE 1/4-WATT, 5%.
4. ALL CAPACITORS 100V. TOLERANCE 20% FOR ELECTROLYTIC TYPES, 10% ON OTHER TYPES.
5. R556, 556 AND 739 ARE POSITIVE TEMPERATURE COEFFICIENT RESISTORS MOUNTED TO HEAT SINK. RESISTANCE 100 OHM COLD, RISING AT 55C. QSC P/N RE-00006-VIP.
6. ALL CAPACITORS 100V. TOLERANCE 20% FOR ELECTROLYTIC TYPES, 10% ON OTHER TYPES.
7. ZENER D532, MARKED 7.5V, LOW LEAKAGE, QSC P/N OD-0007-5-ZT.
8. BRIDGE RECTIFIERS BR501, 601 AND 702 ARE 1A, 200V.
9. PARTS MARKED WITH TRIANGLE \blacktriangle MUST BE REPLACED WITH EXACT TYPE ONLY.
10. CAPACITORS C563X, 564X, 564X, 663X AND 664X ARE SPARES.
11. PARTS ENCLOSED WITHIN DOTTED OUTLINE HAVE VOLTAGES GREATER THAN 42V.
12. TO-220 DIODES D704, D704, D713 AND D714 ARE SELECTED FOR PEAK REVERSE VOLTAGE GREATER THAN 250V.

REFERENCE DESIGNATION				
HIGHEST NO. USED				
DESCRIPTION	CH1	CH2	PS	COMMON
BRIDGE RECTIFIER	BR501	BR601	BR702	-
CAPACITOR	C537	C537	C785	-
DIODE	D557	D657	D748	-
CONNECTOR	J503	J708	J708	J53
INDUCTOR	L501	L601	L710	-
LED	-	-	LD704	-
TRANSISTOR	Q521	Q615	Q706	-
RESISTOR	R508	R608	RT51	-
RES NETWORK	RN506	RN604	RN704	-
TRANSFORMER	-	-	T704	-
TESTPOINT	U503	U603	U711	TP19
POTENTIOMETER	VR503	VR603	-	-

QTY	ITEM NO.	PART NO.	DESCRIPTION	VENDOR
PARTS LIST				
UNLESS OTHERWISE SPECIFIED DIMENSIONS ARE IN INCHES. DIMENSIONS PER ASMT 114.1-192 TOLERANCES ARE:				
DECIMALS	DECIMALS	ANGLES	D	
XX .	XXX .	XXX °	D	
MATERIAL				
FINISH	DRAWN A. CERRILLO 8/27/93			
ISSUED	CHECKED G. IRWIN 2/1/95			
NEXT ASSY	USED ON			
APPLICATION	DO NOT SCALE DRAWING			

QSC AUDIO PRODUCTS, INC.
COSTA MESA, CALIFORNIA

**SCHEMATIC DIAGRAM,
MAIN PCB, POWERLIGHT 1.4**

SIZE: **D** (11x17) DWG NO: **SH-000157-00** REV: **C1**

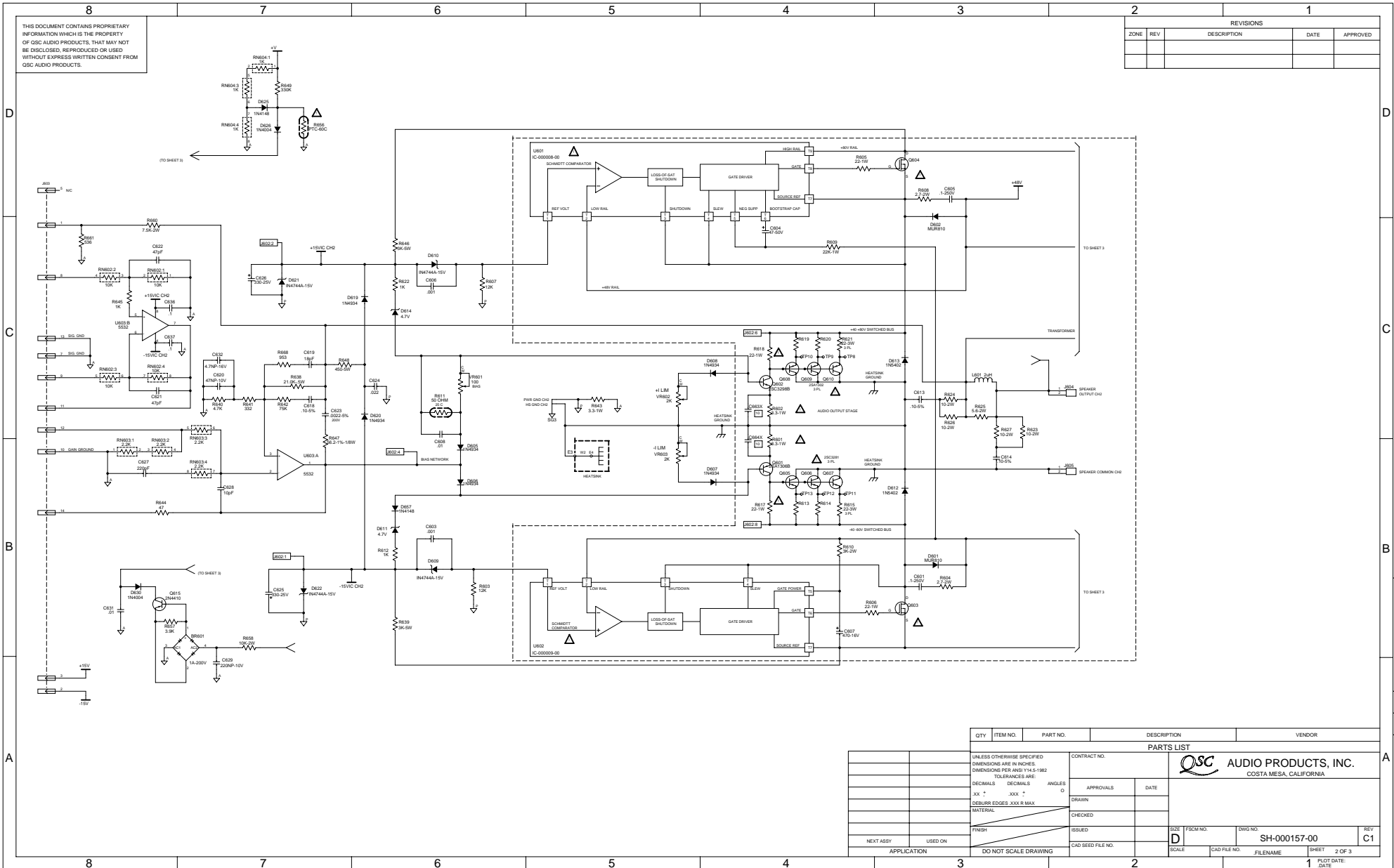
SCALE: _____ CAD FILE NO: _____ FILENAME: _____ SHEET: 1 OF 3

PCB IN TANDOPRO 1 PLOT DATE: _____

SH-000157-00 REV C

THIS DOCUMENT CONTAINS PROPRIETARY INFORMATION WHICH IS THE PROPERTY OF QSC AUDIO PRODUCTS. THAT MAY NOT BE DISCLOSED, REPRODUCED OR USED WITHOUT EXPRESS WRITTEN CONSENT FROM QSC AUDIO PRODUCTS.

REVISIONS				
ZONE	REV	DESCRIPTION	DATE	APPROVED

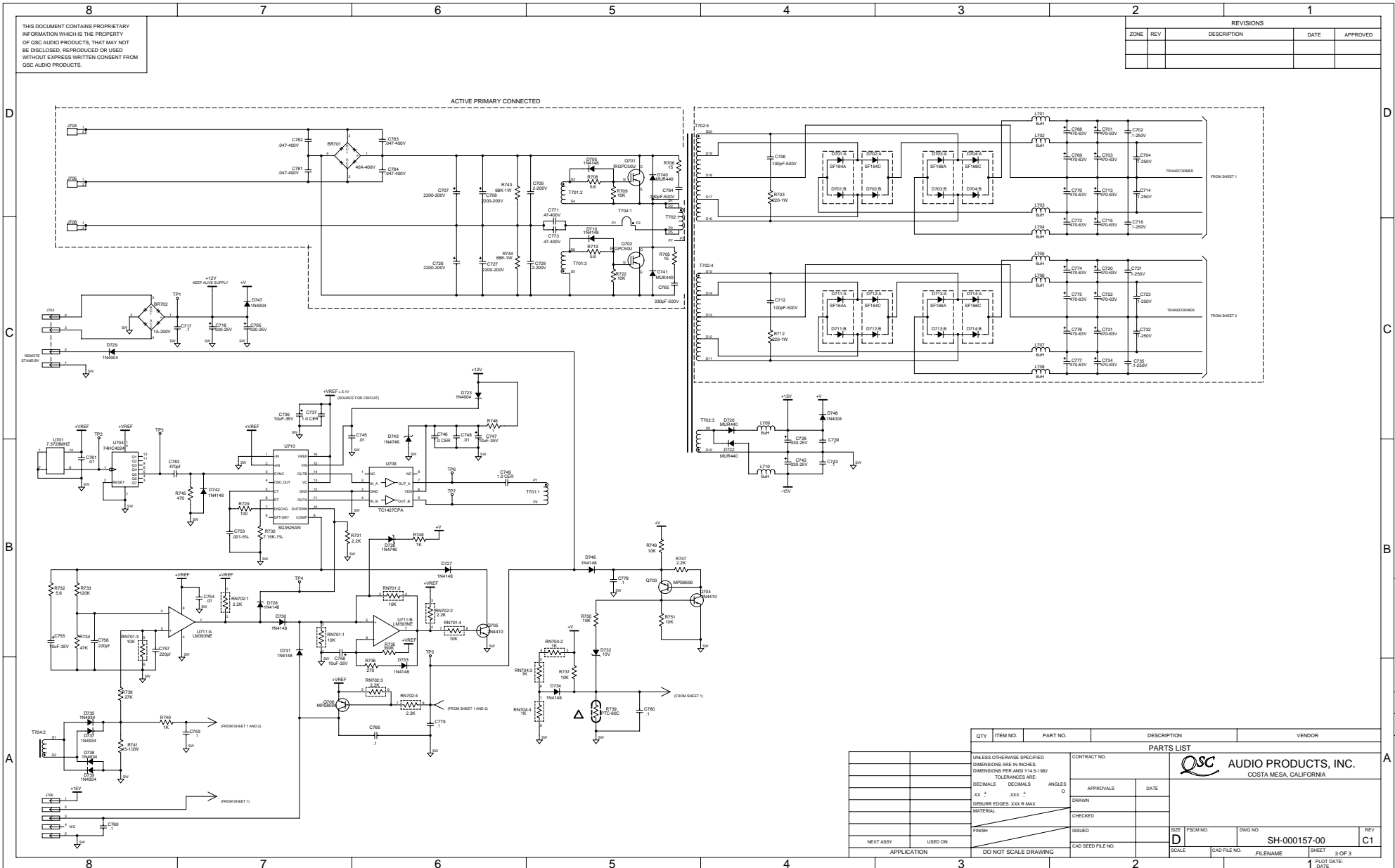


QTY	ITEM NO.	PART NO.	DESCRIPTION	VENDOR
PARTS LIST				
UNLESS OTHERWISE SPECIFIED DIMENSIONS ARE IN INCHES DIMENSIONS PER ANSI Y14.5-1982 TOLERANCES ARE:			CONTRACT NO.	
DECIMALS	DECIMALS	ANGLES	APPROVALS	
XX .	XXX .	XXX °	DATE	
DRAWN			CHECKED	
MATERIAL			ISSUED	
FINISH			SCALE	
NEXT ASSY			CAD FILE NO.	
USED ON			SIZE	
APPLICATION			D	
DO NOT SCALE DRAWING			FORM NO.	
			DWG NO.	
			SH-000157-00	
			REV	
			C1	
			SCALE	
			CAD FILE NO.	
			FILENAME	
			SHEET 2 OF 3	
			PLOT DATE:	
			DATE	

SH-000157-00

THIS DOCUMENT CONTAINS PROPRIETARY INFORMATION WHICH IS THE PROPERTY OF QSC AUDIO PRODUCTS. THAT MAY NOT BE DISCLOSED, REPRODUCED OR USED WITHOUT EXPRESS WRITTEN CONSENT FROM QSC AUDIO PRODUCTS.

REVISIONS				
ZONE	REV	DESCRIPTION	DATE	APPROVED



QTY	ITEM NO.	PART NO.	DESCRIPTION	VENDOR
PARTS LIST				
UNLESS OTHERWISE SPECIFIED, DIMENSIONS ARE IN INCHES. DIMENSIONS PER ANSI Y14.5-1992. TOLERANCES ARE:			CONTRACT NO.	
DECIMALS	DECIMALS	ANGLES	APPROVALS	
XX .	XXX .	D	DATE	
DRAWN			CHECKED	
ISSUED			SCALE	
NEXT ASSY			CAD FILE NO.	
USED ON			DO NOT SCALE DRAWING	
APPLICATION			SCALE	

QSC AUDIO PRODUCTS, INC.
COSTA MESA, CALIFORNIA

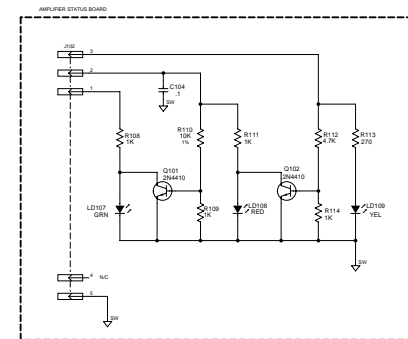
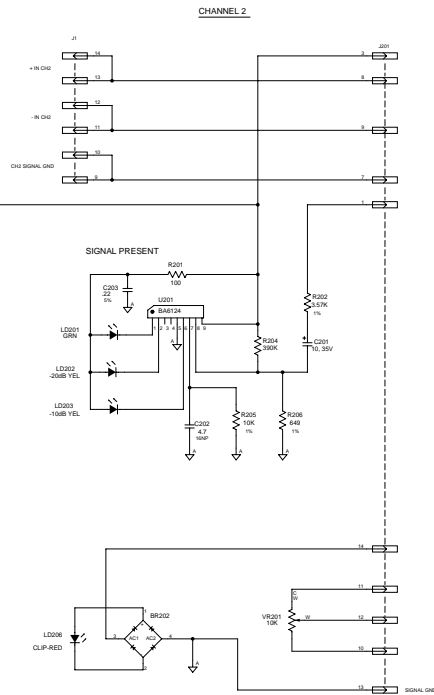
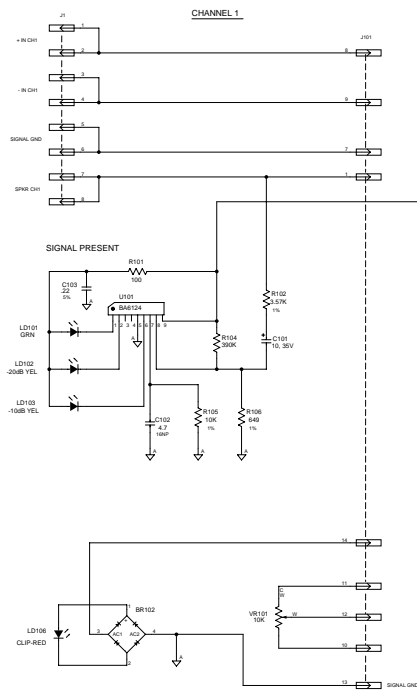
SIZE: **D** (1/8" x 11")
 DWG NO: SH-00157-00
 SCALE: 1" = 1" (AS SHOWN)
 FILENAME: SH-00157-00
 SHEET: 3 OF 3
 REV: C1
 PLOT DATE: 11/15/00

SH-00157-00 (10/15/00)

THIS DOCUMENT CONTAINS PROPRIETARY INFORMATION WHICH IS THE PROPERTY OF QSC AUDIO PRODUCTS. THAT MAY NOT BE DISCLOSED, REPRODUCED OR USED WITHOUT EXPRESS WRITTEN CONSENT FROM QSC AUDIO PRODUCTS.

SCHEMATIC DIAGRAM, DISPLAY BOARD, POWERLIGHT FOR PC-000153-00 REV A
DOC NO. SH-000153-00 REV A

REVISIONS				
ZONE	REV	DESCRIPTION	DATE	APPROVED
	3	INCORP ENG DESIGN CHANGES	8-1-94	
	4	INCORP ENG DESIGN CHANGES	9-29-94	
	A	PROD REL, ECO 2546, BRL		



- LD101, LD201, LD102, LD202, HIGH-EFFICIENCY GREEN LED.
 - LD103, LD203, LD104, LD204, HIGH-EFFICIENCY RED LED.
 - PARTS IN COMMON TO BOTH CHANNELS NUMBERED 1-99.
 - CH 2 COMPONENTS NUMBERED 201-299.
 - CH 1 COMPONENTS NUMBERED 101-199.
 - ALL RESISTORS VALUES ARE IN OHMS +/-5%, 1/4 W.
 - ALL CAPACITORS VALUES ARE IN MICROFARADS, 25V MIN.
- NOTES: UNLESS OTHERWISE SPECIFIED

QTY	ITEM NO.	PART NO.	DESCRIPTION	VENDOR
	VR101,201			
	U101,201			
	R114,206	R103,107,203		
	C102			
	LD109,206	LD104,105,204,205		
	J1,102,201			
	C104,203			
	BR102,202	BR101,201		
	LAST USED	NOT USED	NEXT ASSY	USED ON
	REFERENCE DESIGNATION	APPLICATION	DO NOT SCALE DRAWING	

UNLESS OTHERWISE SPECIFIED		CONTRACT NO.	
DIMENSIONS ARE IN INCHES			
DIMENSIONS PER ANSI Y14.5-1982			
TOLERANCES ARE:			
DECIMALS	DECIMALS	ANGLES	D
XX ±	XXX ±		
DEBURR EDGES XXX.9 MAX			
MATERIAL			
FINISH			
ISSUED			
CAD SEED FILE NO.			

APPROVALS	DATE	SCALE	SIZE	TFCM NO.	DWG NO.	REV
B. LILLEMOEN	7/11/94	NONE	D		SH-000153-00	A

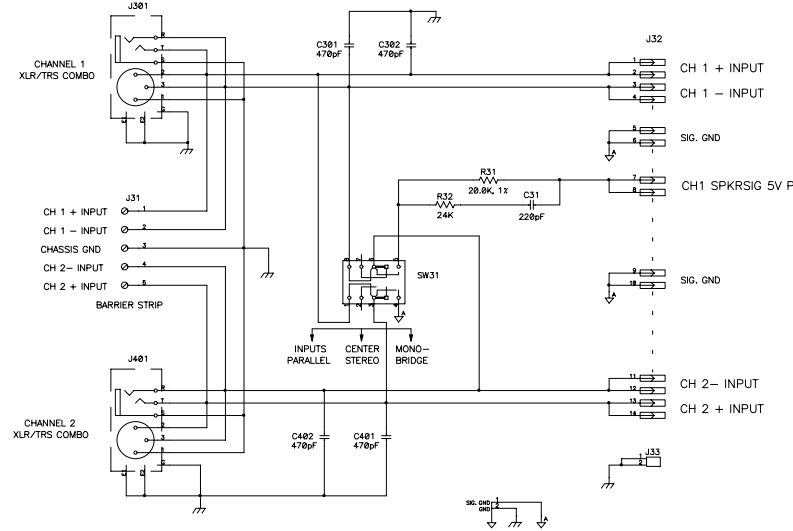
PARTS LIST			
QSC	AUDIO PRODUCTS, INC.	COSTA MESA, CALIFORNIA	
SCHEMATIC DIAGRAM, DISPLAY BOARD, POWERLIGHT			
SCALE	NONE	CAD FILE NO.	SH0153A1.S01
SHEET	1 OF 1		

SH-000153-00

THIS DOCUMENT CONTAINS PROPRIETARY INFORMATION WHICH IS THE PROPERTY OF QSC AUDIO PRODUCTS. THAT MAY NOT BE DISCLOSED, REPRODUCED OR USED WITHOUT EXPRESS WRITTEN CONSENT FROM QSC AUDIO PRODUCTS.

SCHEMATIC DIAGRAM, INPUT, POWERLIGHT
FOR PC-000153-00 REV A
DOC NO. SH-000153-00 REV A

REVISION				
REV	DESCRIPTION	EFF. DATE	CHK	APPROVED / DATE
A	PRODUCTION RELEASE PER ECO 2546, BRL	1-18-95	SM	
A1	OBSOLETE PER ECO 3243	9-24-96	CCB	



2. ALL CAPACITORS VALUES ARE IN MICROFARAD, 100V, +/-10%.
1. ALL RESISTORS ARE IN OHMS, +/-5%, 1/4W.
NOTES: UNLESS OTHERWISE SPECIFIED

QTY	ITEM NO.	PART NO.	DESCRIPTION	VENDOR																																	
PARTS LIST																																					
UNLESS OTHERWISE SPECIFIED DIMENSIONS ARE IN INCHES. DIMENSIONS PER ANSI Y14.5-1982 TOLERANCES ARE: DECIMALS DECIMALS ANGLES .XX ± .XXX ± .XXX ± 0 DEBURR EDGES .XXX R MAX MATERIAL:			<table border="1"> <tr> <td colspan="2">CONTRACT NO.</td> <td colspan="2" rowspan="2"> QSC AUDIO PRODUCTS, INC. COSTA MESA, CALIFORNIA </td> </tr> <tr> <td>APPROVALS</td> <td>DATE</td> </tr> <tr> <td>DESIGN A. CERRILLO</td> <td>9-22-94</td> <td colspan="3" rowspan="2"> SCHEMATIC DIAGRAM INPUT, POWERLIGHT 1.8 </td> </tr> <tr> <td>CHECKED</td> <td></td> </tr> <tr> <td>ISSUED</td> <td></td> <td>SIZE D</td> <td>TSCM NO.</td> <td>DWG NO.</td> </tr> <tr> <td>FINISH</td> <td></td> <td>SCALE</td> <td>NONE</td> <td>SH-000154-00</td> </tr> <tr> <td>NEXT ASSY</td> <td>USED ON</td> <td>CAD SEED FILE NO. SH0154A1.SCH</td> <td>Max. File Size: 200K</td> <td>CAD FILE NO. SH0154A1.SCH</td> </tr> <tr> <td>APPLICATION</td> <td>DO NOT SCALE DRAWING</td> <td></td> <td></td> <td></td> </tr> </table>		CONTRACT NO.		QSC AUDIO PRODUCTS, INC. COSTA MESA, CALIFORNIA		APPROVALS	DATE	DESIGN A. CERRILLO	9-22-94	SCHEMATIC DIAGRAM INPUT, POWERLIGHT 1.8			CHECKED		ISSUED		SIZE D	TSCM NO.	DWG NO.	FINISH		SCALE	NONE	SH-000154-00	NEXT ASSY	USED ON	CAD SEED FILE NO. SH0154A1.SCH	Max. File Size: 200K	CAD FILE NO. SH0154A1.SCH	APPLICATION	DO NOT SCALE DRAWING			
CONTRACT NO.		QSC AUDIO PRODUCTS, INC. COSTA MESA, CALIFORNIA																																			
APPROVALS	DATE																																				
DESIGN A. CERRILLO	9-22-94	SCHEMATIC DIAGRAM INPUT, POWERLIGHT 1.8																																			
CHECKED																																					
ISSUED		SIZE D	TSCM NO.	DWG NO.																																	
FINISH		SCALE	NONE	SH-000154-00																																	
NEXT ASSY	USED ON	CAD SEED FILE NO. SH0154A1.SCH	Max. File Size: 200K	CAD FILE NO. SH0154A1.SCH																																	
APPLICATION	DO NOT SCALE DRAWING																																				

SH-000154-00

4

3

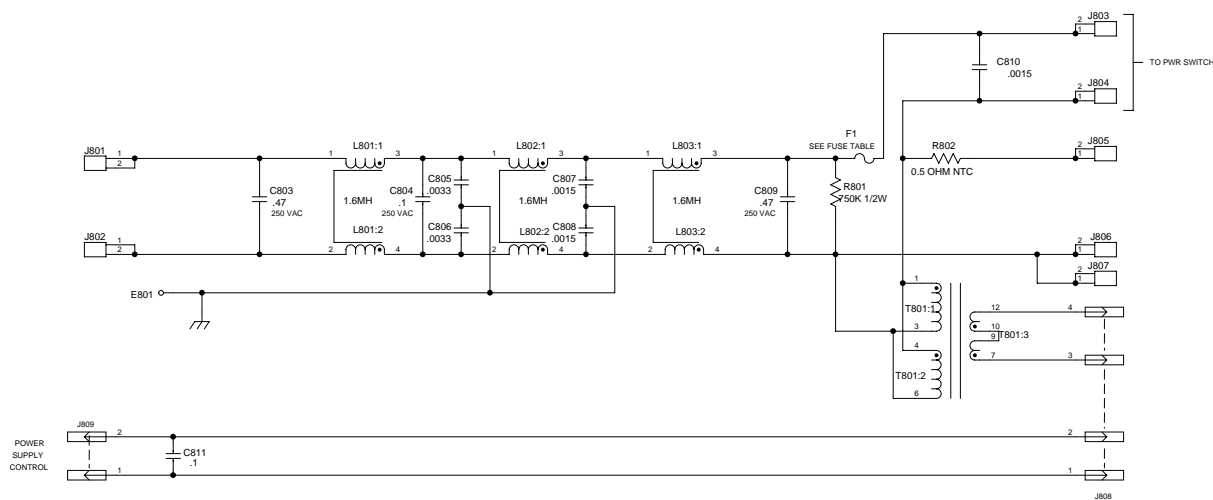
2

1

THIS DOCUMENT CONTAINS PROPRIETARY INFORMATION WHICH IS THE PROPERTY OF QSC AUDIO PRODUCTS. THAT MAY NOT BE DISCLOSED, REPRODUCED OR USED WITHOUT EXPRESS WRITTEN CONSENT FROM QSC AUDIO PRODUCTS.

SCHEMATIC DIAGRAM, AC FILTER, POWERLIGHT
FOR PC-000155-00, REV B
DOC NO. SH-000155-00, REV B

REVISIONS				
ZONE	REV	DESCRIPTION	DATE	APPROVED
	3	INCORP ENG DESIGN CHANGES	9-29-94	
	A	PROD REL PER ECO 2546, BRL	1-18-95	SGM
	B	ECO2582, (EFF 2-15-95)		



POWERLIGHT 100V AND 120V CONFIGURATIONS

FUSE TABLE

MODEL	FUSE VALUE
PL1.0	20A
PL1.4	20A
PL1.8	25A

2. ALL CAPACITOR VALUES ARE IN MICROFARADS, 125 VAC, +/-20%.

1. ALL RESISTOR VALUES ARE IN OHMS, 1/4 WATT, +/-5%.

NOTES: UNLESS OTHERWISE SPECIFIED

QTY	ITEM NO.	PART NO.	DESCRIPTION	VENDOR
PARTS LIST				
UNLESS OTHERWISE SPECIFIED DIMENSIONS ARE IN INCHES. DIMENSIONS PER ANSI Y14.5-1982		CONTRACT NO.		
TOLERANCES ARE:				
DECIMALS .XX ±	DECIMALS .XXX ±	ANGLES 0	APPROVALS	DATE
DEBURR EDGES .XXX R MAX			B. LILLEMOEN	7-13-94
MATERIAL			CHECKED	SGM
FINISH			ISSUED	S.G. MORALES
NEXT ASSY			USED ON	1-19-95
APPLICATION			CAD SEED FILE NO.	SIZE C
DO NOT SCALE DRAWING			SCALE NONE	FSCM NO. SH-000155-00
			CAD FILE NO. SH0155B1.S01	DWG NO. SH-000155-00
			SHEET 1 OF 1	REV B

4

3

2

1