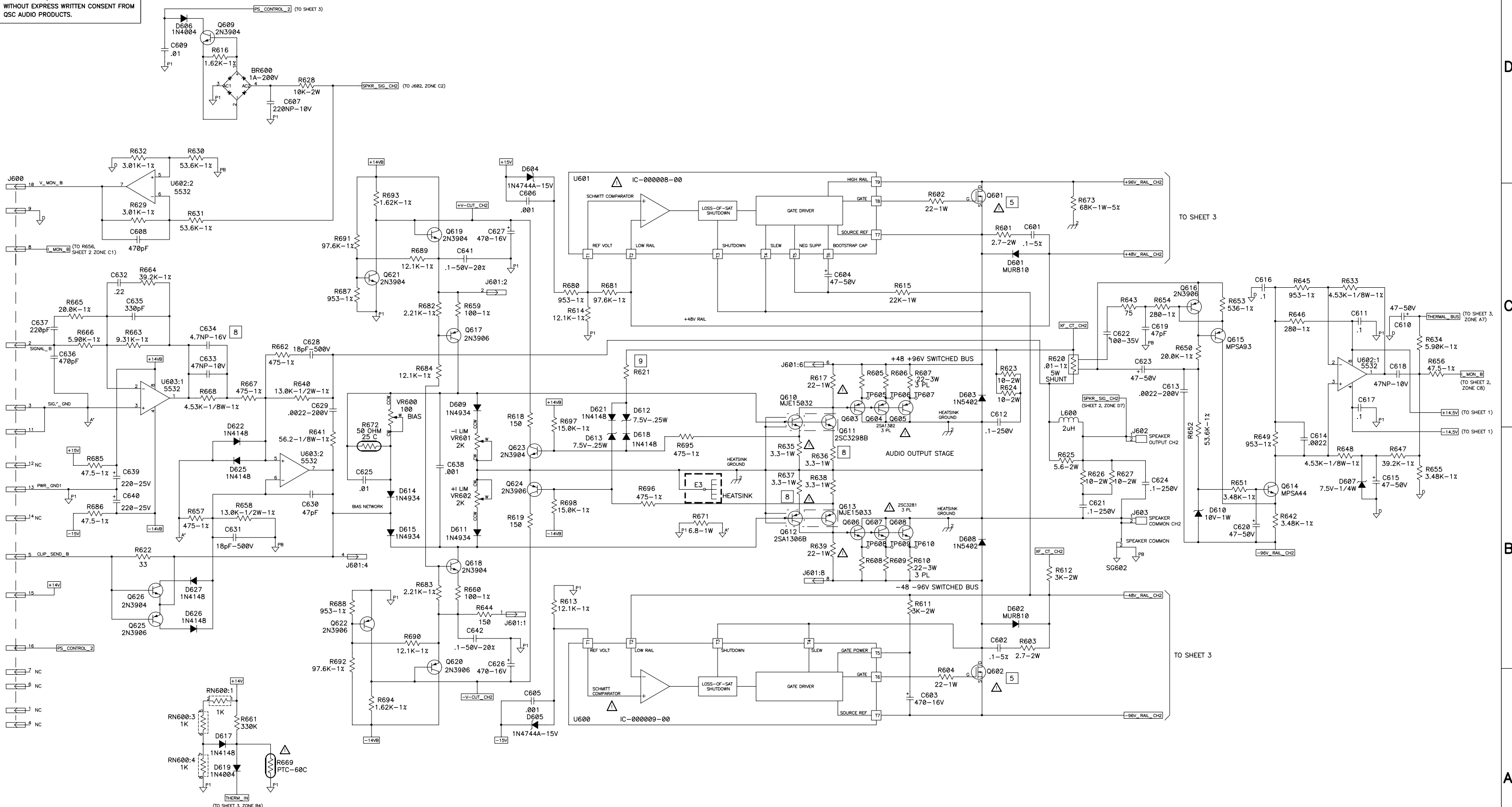


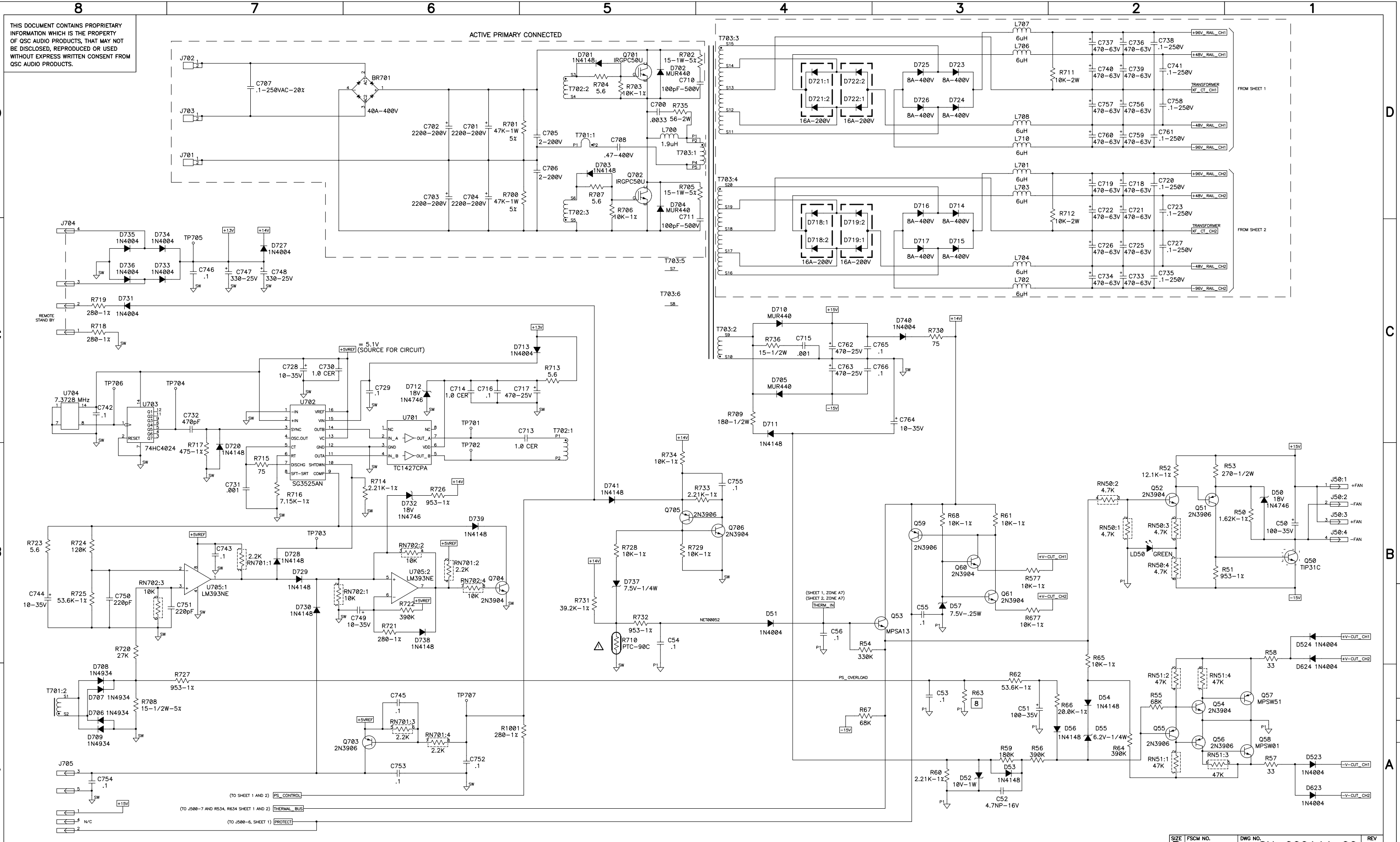
THIS DOCUMENT CONTAINS PROPRIETARY INFORMATION WHICH IS THE PROPERTY OF QSC AUDIO PRODUCTS, THAT MAY NOT BE DISCLOSED, REPRODUCED OR USED WITHOUT EXPRESS WRITTEN CONSENT FROM QSC AUDIO PRODUCTS.



SIZE	FSCM NO.	DWG NO.	REV
D		SH-000144-00	.
SCALE	NONE	CAD FILE NO.	SHEET
		SHPL18DP.sch	2 OF 3
PLOT DATE:		TUE Sep 28, 2000	

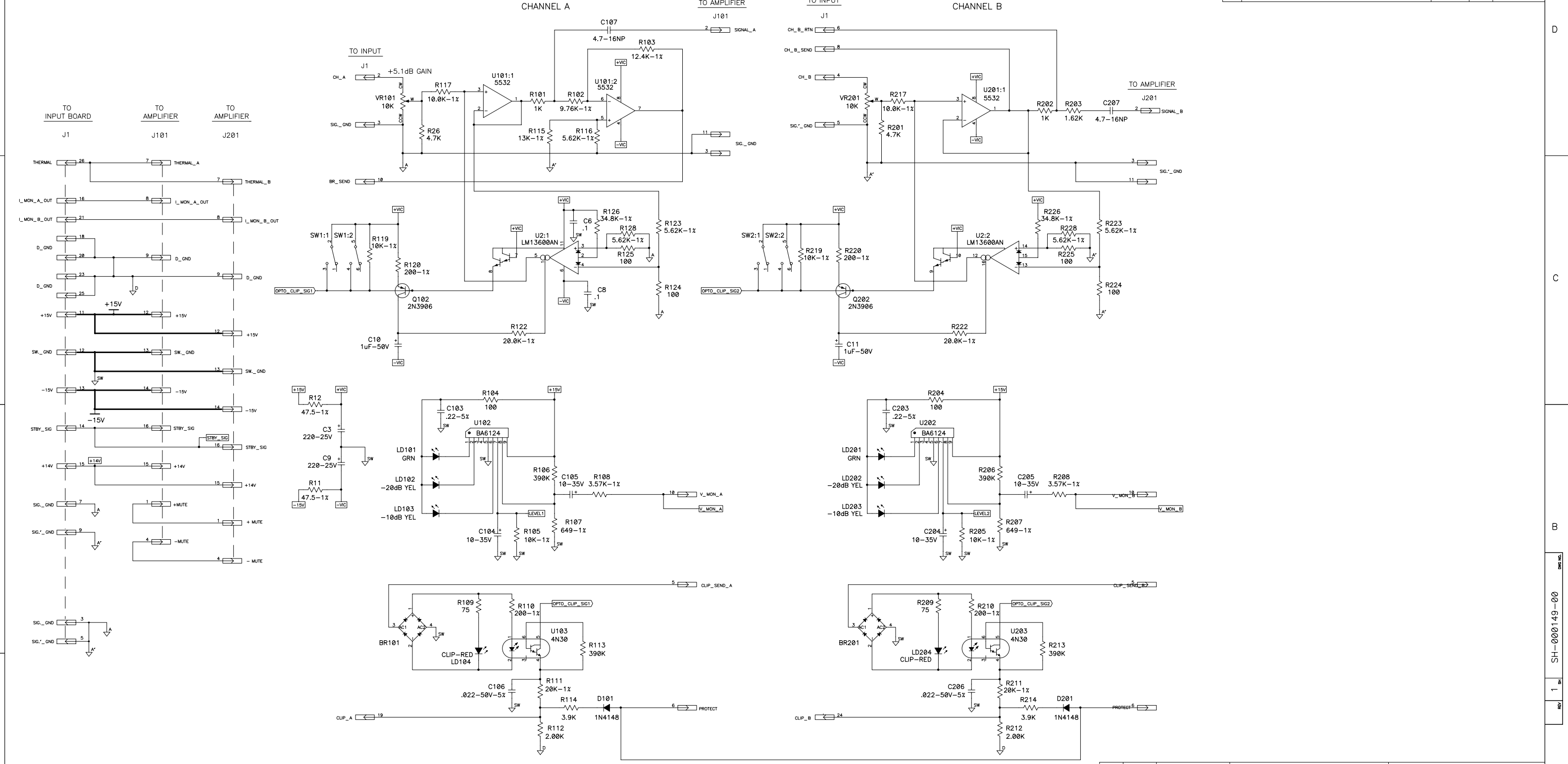
SH-000144-00
 REV 2

THIS DOCUMENT CONTAINS PROPRIETARY INFORMATION WHICH IS THE PROPERTY OF QSC AUDIO PRODUCTS, THAT MAY NOT BE DISCLOSED, REPRODUCED OR USED WITHOUT EXPRESS WRITTEN CONSENT FROM QSC AUDIO PRODUCTS.



THIS DOCUMENT CONTAINS PROPRIETARY INFORMATION WHICH IS THE PROPERTY OF QSC AUDIO PRODUCTS. THAT MAY NOT BE DISCLOSED, REPRODUCED OR USED WITHOUT EXPRESS WRITTEN CONSENT FROM QSC AUDIO PRODUCTS.

REVISION				
REV	DESCRIPTION	EFF. DATE	CHK	APPROVED / DATE



4. PARTS IN COMMON WITH BOTH CHANNELS NUMBERED 1-99.
 CH 1 COMPONENTS NUMBERED 101-199.
 CH 2 COMPONENTS NUMBERED 201-299.
 3. CAPACITORS ARE IN MICROFARADS, 25V MIN.
 2. RESISTORS ARE IN OHMS, 1/4W_400, 5%.
 1. THIS DRAWING USED IN CONJUNCTION WITH ASSEMBLY
 WP-000149-00 AND FABRICATION DRAWING PC-000149-00.
 NOTES: UNLESS OTHERWISE SPECIFIED

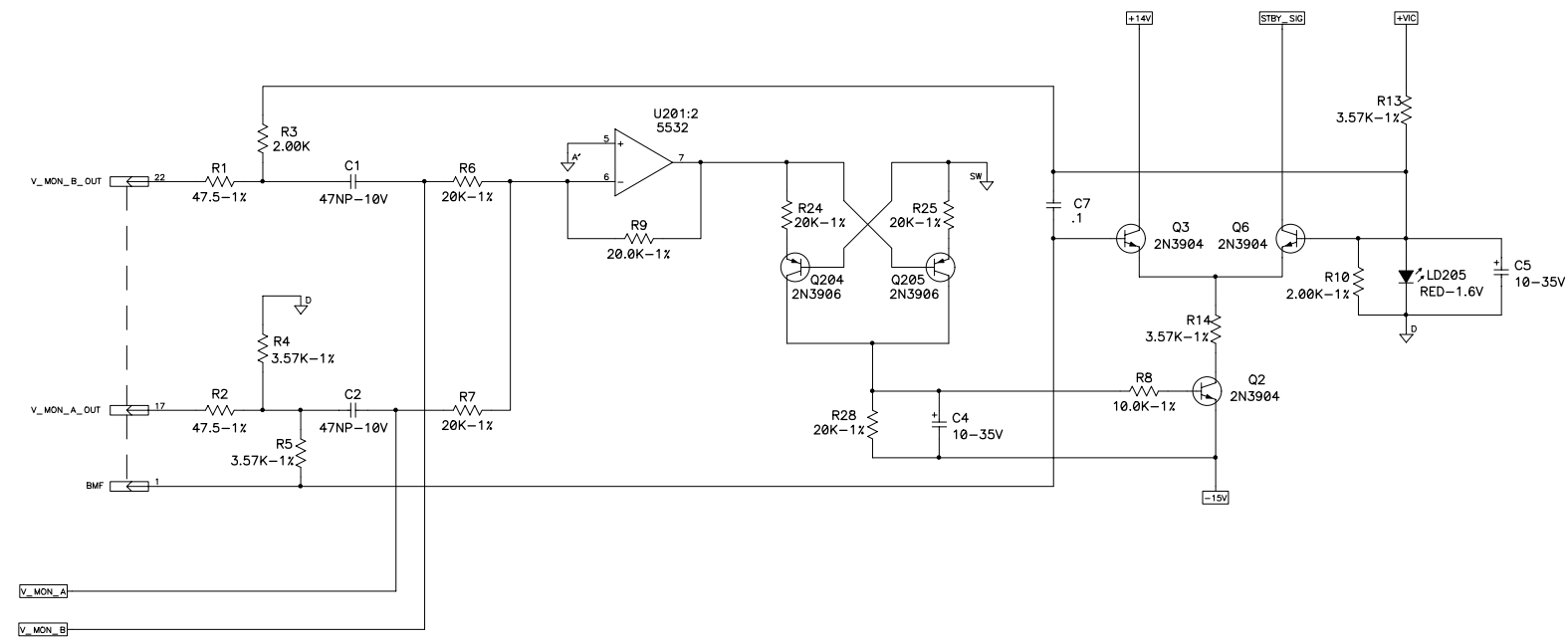
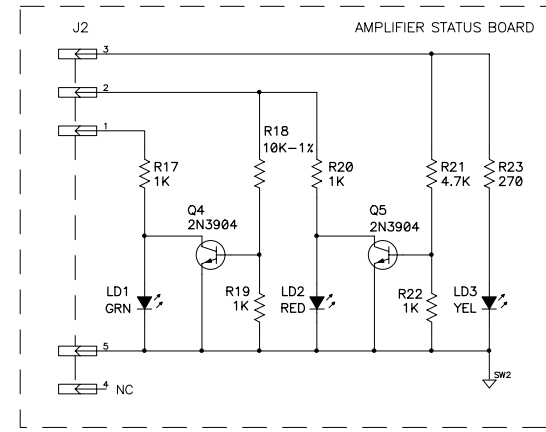
QTY	ITEM NO.	PART NO.	DESCRIPTION	VENDOR
PARTS LIST				
UNLESS OTHERWISE SPECIFIED DIMENSIONS ARE IN INCHES. DIMENSIONS PER ANSI Y14.5-1982 TOLERANCES ARE: DECIMALS DECIMALS ANGLES .XX ± .XXX ± 0			CONTRACT NO.	
DRAWN R. BECKER			APPROVALS	
CHECKED W. RULAND			DATE 3-12-96	
ISSUED T. SHOOK			DATE 8-22-96	
CAD SEED FILE NO. SH0149-B.SCH			SCALE NONE	
APPLICATION DO NOT SCALE DRAWING			DWG NO. SH-000149-00	
NEXT ASSY USED ON			REV 1	
POWERLIGHT DP			SHEET 1 OF 2	

QSC AUDIO PRODUCTS, INC.
 COSTA MESA, CALIFORNIA

SCHEMATIC DIAGRAM
 DISPLAY, POWERLIGHT DP

SH-000149-00

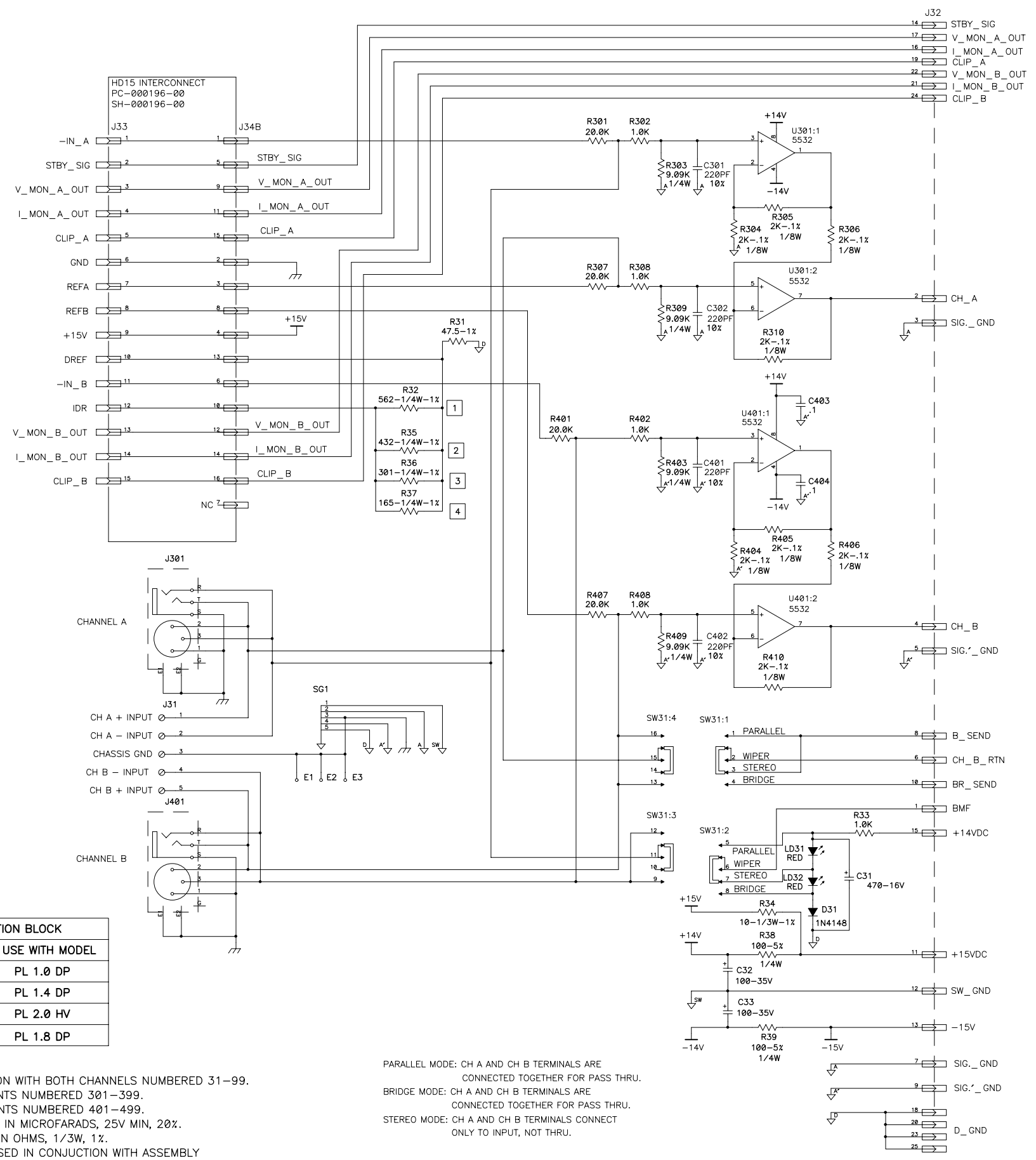
THIS DOCUMENT CONTAINS PROPRIETARY INFORMATION WHICH IS THE PROPERTY OF QSC AUDIO PRODUCTS. THAT MAY NOT BE DISCLOSED, REPRODUCED OR USED WITHOUT EXPRESS WRITTEN CONSENT FROM QSC AUDIO PRODUCTS.



NOTES: UNLESS OTHERWISE SPECIFIED

SIZE D	FSCM NO.	DWG NO. SH-000149-00	REV
SCALE NONE	CAD FILE NO. sh0149-c.sch	SHEET 2	

THIS DOCUMENT CONTAINS PROPRIETARY INFORMATION WHICH IS THE PROPERTY OF QSC AUDIO PRODUCTS. THAT MAY NOT BE DISCLOSED, REPRODUCED OR USED WITHOUT EXPRESS WRITTEN CONSENT FROM QSC AUDIO PRODUCTS.



TABULATION BLOCK		
REF. NO.	USE WITH MODEL	
1	R32	PL 1.0 DP
2	R35	PL 1.4 DP
3	R36	PL 2.0 HV
4	R37	PL 1.8 DP

4. PARTS IN COMMON WITH BOTH CHANNELS NUMBERED 31-99.
 CH A COMPONENTS NUMBERED 301-399.
 CH B COMPONENTS NUMBERED 401-499.
 3. CAPACITORS ARE IN MICROFARADS, 25V MIN, 20%.
 2. RESISTORS ARE IN OHMS, 1/3W, 1%.
 1. THIS DRAWING USED IN CONJUNCTION WITH ASSEMBLY WP-000148-00 AND FABRICATION DRAWING PC-000148-00.
 NOTES: UNLESS OTHERWISE SPECIFIED

PARALLEL MODE: CH A AND CH B TERMINALS ARE CONNECTED TOGETHER FOR PASS THRU.
 BRIDGE MODE: CH A AND CH B TERMINALS ARE CONNECTED TOGETHER FOR PASS THRU.
 STEREO MODE: CH A AND CH B TERMINALS CONNECT ONLY TO INPUT, NOT THRU.

QTY	ITEM NO.	PART NO.	DESCRIPTION	VENDOR
PARTS LIST				
UNLESS OTHERWISE SPECIFIED DIMENSIONS ARE IN INCHES. DIMENSIONS PER ANSI Y14.5-1982 TOLERANCES ARE: DECIMALS DECIMALS ANGLES .xx ± .xxx ± 0 DEBURR EDGES .XXX R MAX MATERIAL			QSC AUDIO PRODUCTS, INC. COSTA MESA, CALIFORNIA SCHEMATIC DIAGRAM INPUT, POWERLIGHT 1.8 DP	
DRAWN A. CERRILLO		DATE 2-28-96		APPROVALS TIM SHOOK 8-21-96
CHECKED W. RULAND		DATE 8-21-96		
ISSUED TIM SHOOK		DATE 8-22-96		SIZE D
CAD SEED FILE NO. SH0148-2.SCH		DWG NO. SH-000148-00		
NEXT ASSY		USED ON		SCALE NONE CAD FILE NO. SH0148-B.sch SHEET 1 OF 1
APPLICATION		DO NOT SCALE DRAWING		

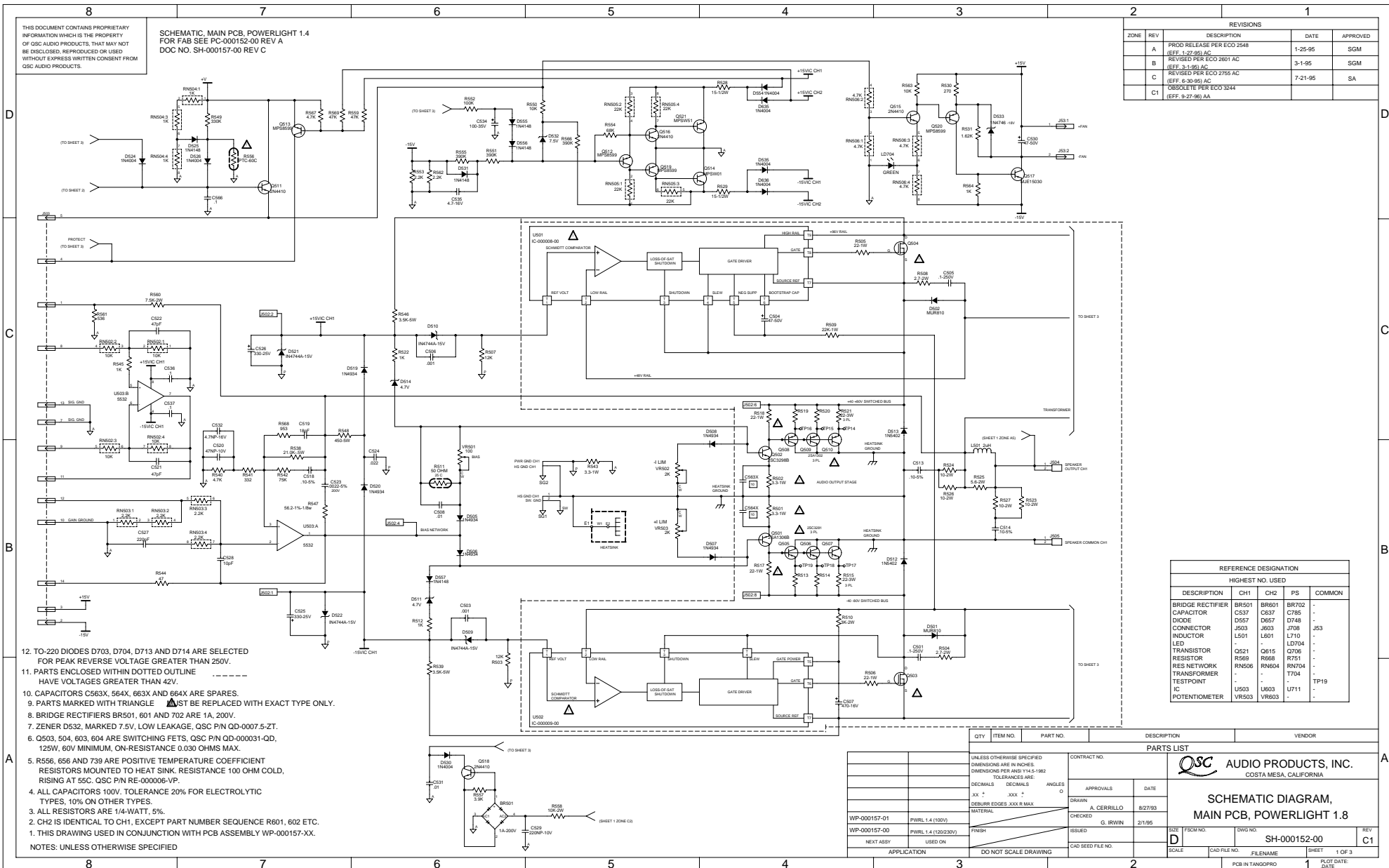
SH-000148-00

A

THIS DOCUMENT CONTAINS PROPRIETARY INFORMATION WHICH IS THE PROPERTY OF QSC AUDIO PRODUCTS, THAT MAY NOT BE DISCLOSED, REPRODUCED OR USED WITHOUT EXPRESS WRITTEN CONSENT FROM QSC AUDIO PRODUCTS.

SCHEMATIC, MAIN PCB, POWERLIGHT 1.4 FOR FAB SEE PC-000152-00 REV A DOC NO. SH-000157-00 REV C

REVISIONS				
ZONE	REV	DESCRIPTION	DATE	APPROVED
A		PRD RELEASE PER ECO 2548 (EFF. 1-27-99) AC	1-25-95	SGM
B		REVISED PER ECO 2601 AC (EFF. 3-1-99) AC	3-1-95	SGM
C		REVISED PER ECO 2755 AC (EFF. 6-30-95) AC	7-21-95	SA
C1		OBSOLETE PER ECO 3244 (EFF. 9-27-98) AA		



12. TO-220 DIODES D703, D704, D713 AND D714 ARE SELECTED FOR PEAK REVERSE VOLTAGE GREATER THAN 250V.
11. PARTS ENCLOSED WITHIN DOTTED OUTLINE HAVE VOLTAGES GREATER THAN 42V.
10. CAPACITORS C563X, 564X, 564X, 663X AND 664X ARE SPARES.
9. PARTS MARKED WITH TRIANGLE \blacktriangle MUST BE REPLACED WITH EXACT TYPE ONLY.
8. BRIDGE RECTIFIERS BR501, 601 AND 702 ARE 1A, 200V.
7. ZENER D532, MARKED 7.5V, LOW LEAKAGE, QSC P/N QD-0007-5-ZT.
6. Q503, 504, 603, 604 ARE SWITCHING FETS, QSC P/N QD-00031-QD, 125W, 60V MINIMUM, ON-RESISTANCE 0.030 OHMS MAX.
5. R556, 656 AND 739 ARE POSITIVE TEMPERATURE COEFFICIENT RESISTORS MOUNTED TO HEAT SINK, RESISTANCE 100 OHM COLD, RISING AT 5%. QSC P/N RE-00006-VP.
4. ALL CAPACITORS 100V. TOLERANCE 20% FOR ELECTROLYTIC TYPES, 10% ON OTHER TYPES.
3. ALL RESISTORS ARE 1/4-WATT, 5%.
2. CH2 IS IDENTICAL TO CH1, EXCEPT PART NUMBER SEQUENCE R601, 602 ETC.
1. THIS DRAWING USED IN CONJUNCTION WITH PCB ASSEMBLY WP-000157-XX.

NOTES: UNLESS OTHERWISE SPECIFIED

REFERENCE DESIGNATION				
HIGHEST NO. USED				
DESCRIPTION	CH1	CH2	PS	COMMON
BRIDGE RECTIFIER	BR501	BR601	BR702	-
CAPACITOR	C537	C637	C785	-
DIODE	D557	D657	D748	-
CONNECTOR	J503	J708	J751	J53
INDUCTOR	L501	L601	L710	-
LED	-	-	LD704	-
TRANSISTOR	Q521	Q615	Q706	-
RESISTOR	R508	R608	RT51	-
RES NETWORK	RN506	RN604	RN704	-
TRANSFORMER	-	-	T704	-
TESTPOINT	U503	U603	U711	TP19
POTENTIOMETER	VR503	VR603	-	-

QTY	ITEM NO.	PART NO.	DESCRIPTION	VENDOR
PARTS LIST				
UNLESS OTHERWISE SPECIFIED DIMENSIONS ARE IN INCHES. DIMENSIONS PER ASMT 114.1-192 TOLERANCES ARE:				
DECIMALS	DECIMALS	ANGLES	D	
XX .	XXX .	XXX °	D	
MATERIAL				
FINISH	DRAWN A. CERRILLO 8/27/93			
ISSUED	CHECKED G. IRWIN 2/1/95			
NEXT ASSY	USED ON			
APPLICATION	DO NOT SCALE DRAWING			

QSC AUDIO PRODUCTS, INC.
COSTA MESA, CALIFORNIA

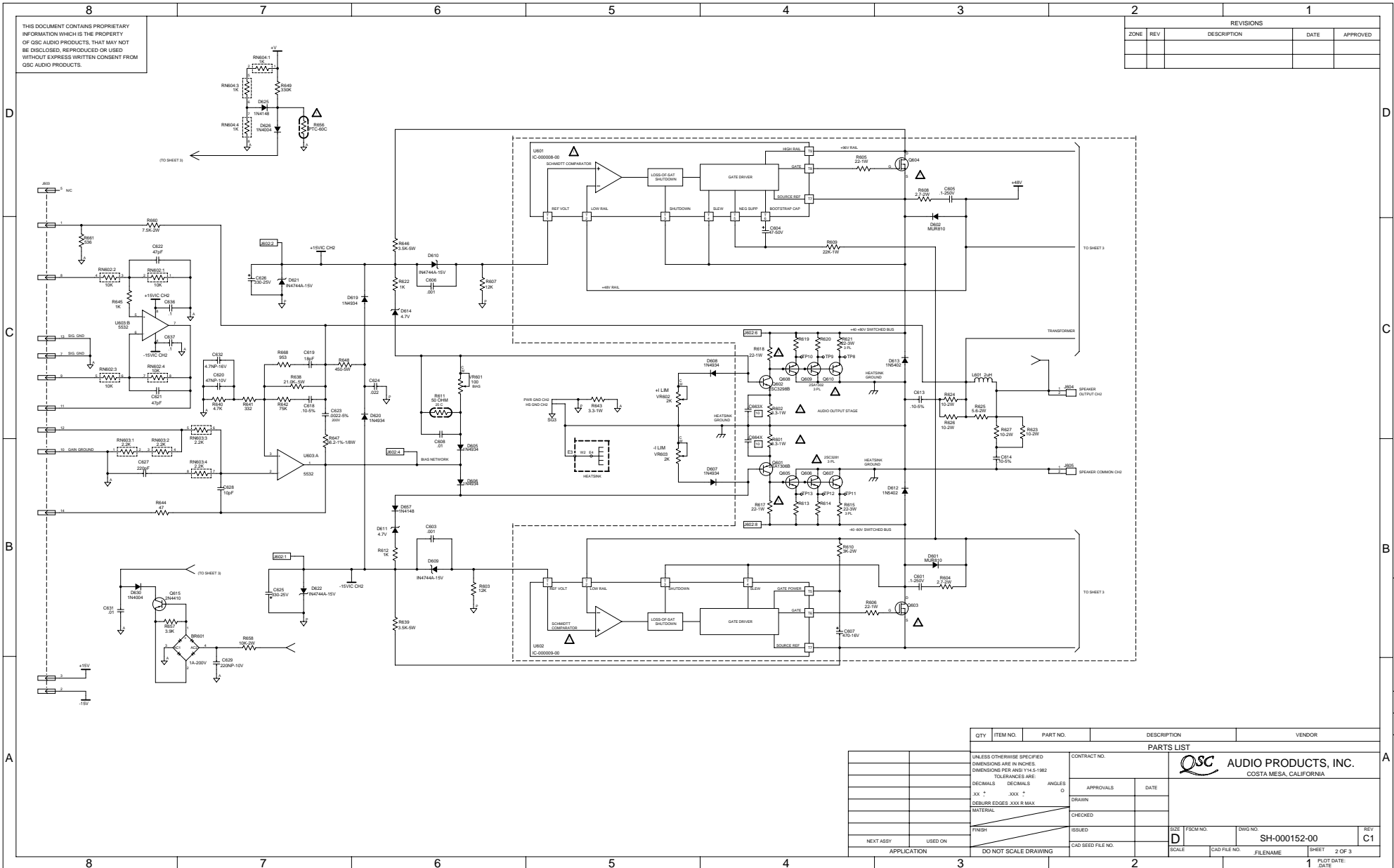
SCHEMATIC DIAGRAM, MAIN PCB, POWERLIGHT 1.8

SIZE	FORM NO.	DWG NO.	REV
D		SH-000152-00	C1
SCALE	CAD FILE NO.	FILENAME	SHEET 1 OF 3
			PLOT DATE

SH-000152-00

THIS DOCUMENT CONTAINS PROPRIETARY INFORMATION WHICH IS THE PROPERTY OF QSC AUDIO PRODUCTS. THAT MAY NOT BE DISCLOSED, REPRODUCED OR USED WITHOUT EXPRESS WRITTEN CONSENT FROM QSC AUDIO PRODUCTS.

REVISIONS				
ZONE	REV	DESCRIPTION	DATE	APPROVED

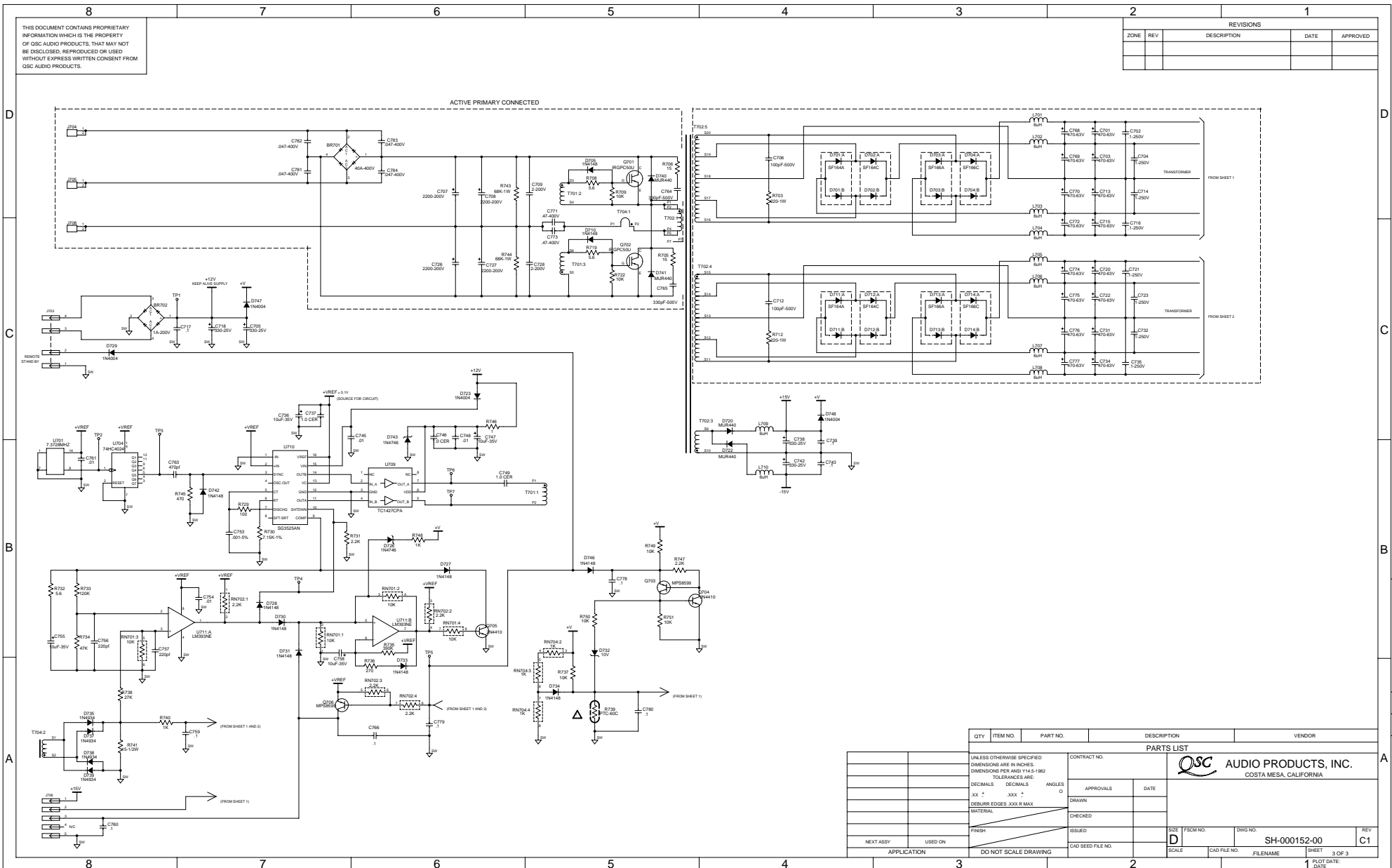


QTY	ITEM NO.	PART NO.	DESCRIPTION	VENDOR								
PARTS LIST												
UNLESS OTHERWISE SPECIFIED, DIMENSIONS ARE IN INCHES. DIMENSIONS FOR HOLE & 1:162 TOLERANCES ARE:			<table border="1"> <tr> <td>CONTRACT NO.</td> <td>DATE</td> </tr> <tr> <td>APPROVALS</td> <td>DATE</td> </tr> </table>		CONTRACT NO.	DATE	APPROVALS	DATE				
CONTRACT NO.	DATE											
APPROVALS	DATE											
DECIMALS	DECIMALS	ANGLES	DRAWN	<table border="1"> <tr> <td>CHECKED</td> <td>DATE</td> </tr> <tr> <td>ISSUED</td> <td>DATE</td> </tr> </table>	CHECKED	DATE	ISSUED	DATE				
CHECKED	DATE											
ISSUED	DATE											
XXX	XXX	XXX	MATERIAL	<table border="1"> <tr> <td>SIZE</td> <td>TFCM NO.</td> <td>DRWG NO.</td> <td>REV</td> </tr> <tr> <td>D</td> <td></td> <td>SH-000152-00</td> <td>C1</td> </tr> </table>	SIZE	TFCM NO.	DRWG NO.	REV	D		SH-000152-00	C1
SIZE	TFCM NO.	DRWG NO.	REV									
D		SH-000152-00	C1									
NEXT ASSY			SCALE									
USED ON			CAD FILE NO.									
APPLICATION			DO NOT SCALE DRAWING									

SH-000152-00

THIS DOCUMENT CONTAINS PROPRIETARY INFORMATION WHICH IS THE PROPERTY OF QSC AUDIO PRODUCTS. THAT MAY NOT BE DISCLOSED, REPRODUCED OR USED WITHOUT EXPRESS WRITTEN CONSENT FROM QSC AUDIO PRODUCTS.

REVISIONS				
ZONE	REV	DESCRIPTION	DATE	APPROVED



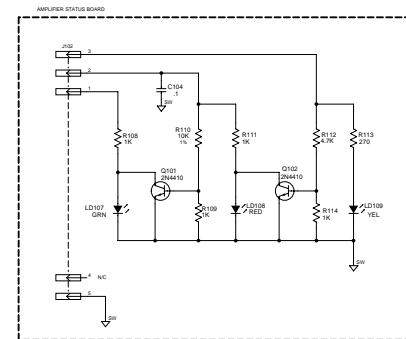
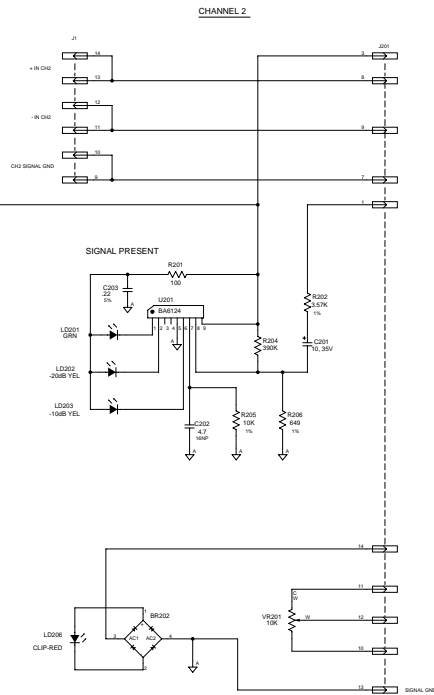
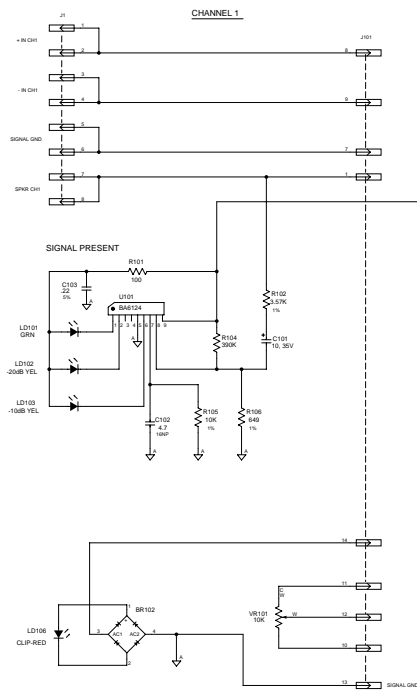
QTY	ITEM NO.	PART NO.	DESCRIPTION	VENDOR
PARTS LIST				
UNLESS OTHERWISE SPECIFIED, DIMENSIONS ARE IN INCHES. DIMENSIONS PER ANSI Y14.5-1992. TOLERANCES ARE:			CONTRACT NO.	
DECIMALS	DECIMALS	ANGLES	APPROVALS	
XX .	XXX .	D	DATE	
DRAWN			CHECKED	
ISSUED			SCALE	
NEXT ASSY			CAD FILE NO.	
USED ON			DO NOT SCALE DRAWING	
APPLICATION			SIZE	
			D	
			TFCM NO.	
			DWG NO.	
			SH-000152-00	
			REV	
			C1	
			SHEET 3 OF 3	
			PLOT DATE:	

SH-000152-00

THIS DOCUMENT CONTAINS PROPRIETARY INFORMATION WHICH IS THE PROPERTY OF QSC AUDIO PRODUCTS. THAT MAY NOT BE DISCLOSED, REPRODUCED OR USED WITHOUT EXPRESS WRITTEN CONSENT FROM QSC AUDIO PRODUCTS.

SCHEMATIC DIAGRAM, DISPLAY BOARD, POWERLIGHT FOR PC-000153-00 REV A
DOC NO. SH-000153-00 REV A

REVISIONS				
ZONE	REV	DESCRIPTION	DATE	APPROVED
	3	INCORP ENG DESIGN CHANGES	8-1-94	
	4	INCORP ENG DESIGN CHANGES	9-29-94	
	A	PROD REL, ECO 2546, BRL		



7. LD101, LD201, LD102, LD202, HIGH-EFFICIENCY GREEN LED.
 6. LD103, LD203, LD104, LD204, HIGH-EFFICIENCY RED LED.
 5. PARTS IN COMMON TO BOTH CHANNELS NUMBERED 1-99.
 4. CH 2 COMPONENTS NUMBERED 201-299.
 3. CH 1 COMPONENTS NUMBERED 101-199.
 2. ALL RESISTORS VALUES ARE IN OHMS +/-5%, 1/4 W.
 1. ALL CAPACITORS VALUES ARE IN MICROFARADS, 25V MIN.
- NOTES: UNLESS OTHERWISE SPECIFIED

QTY	ITEM NO.	PART NO.	DESCRIPTION	VENDOR
	VR101,201			
	U101,201			
	R114,206	R103,107,203		
	Q102			
	LD109,206	LD104,105,204,205		
	J1,102,201			
	C104,203			
	BR102,202	BR101,201		
	LAST USED	NOT USED	NEXT ASSY	USED ON
	REFERENCE DESIGNATION	APPLICATION	DO NOT SCALE DRAWING	

UNLESS OTHERWISE SPECIFIED DIMENSIONS ARE IN INCHES DIMENSIONS PER ANSI Y14.5-1982 TOLERANCES ARE:		CONTRACT NO.	
DECIMALS	DECIMALS	ANGLES	D
XX .	XXX .		
DEBURR EDGES .XXX" MAX		MATERIAL	
FINISH		ISSUED	
CAD SEED FILE NO.		SCALE	

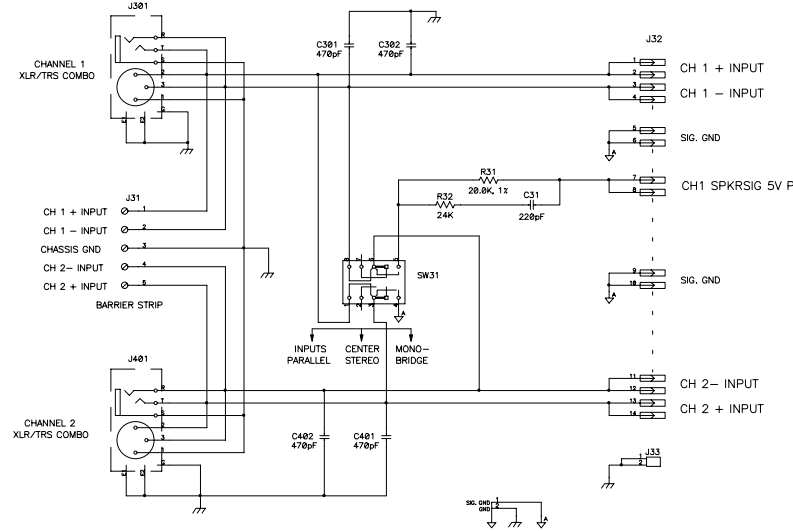
APPROVALS	DATE	AUDIO PRODUCTS, INC. COSTA MESA, CALIFORNIA	
DRAWN B. LILLEMØEN	7/11/94		
SCHEMATIC DIAGRAM, DISPLAY BOARD, POWERLIGHT			
SIZE	TFCM NO.	DWG NO.	REV
D		SH-000153-00	A
SCALE	NONE	CAD FILE NO.	SHEET 1 OF 1

SH-000153-00

THIS DOCUMENT CONTAINS PROPRIETARY INFORMATION WHICH IS THE PROPERTY OF QSC AUDIO PRODUCTS. THAT MAY NOT BE DISCLOSED, REPRODUCED OR USED WITHOUT EXPRESS WRITTEN CONSENT FROM QSC AUDIO PRODUCTS.

SCHEMATIC DIAGRAM, INPUT, POWERLIGHT
FOR PC-000153-00 REV A
DOC NO. SH-000153-00 REV A

REVISION				
REV	DESCRIPTION	EFF. DATE	CHK	APPROVED / DATE
A	PRODUCTION RELEASE PER ECO 2546, BRL	1-18-95	SM	
A1	OBSOLETE PER ECO 3243	9-24-96	CCB	



2. ALL CAPACITORS VALUES ARE IN MICROFARAD, 100V, +/-10%.
1. ALL RESISTORS ARE IN OHMS, +/-5%, 1/4W.
NOTES: UNLESS OTHERWISE SPECIFIED

QTY	ITEM NO.	PART NO.	DESCRIPTION	VENDOR
PARTS LIST				
UNLESS OTHERWISE SPECIFIED DIMENSIONS ARE IN INCHES. DIMENSIONS PER ANSI Y14.5-1982 TOLERANCES ARE: DECIMALS DECIMALS ANGLES XXX ± XXX ± 0			CONTRACT NO. QSC AUDIO PRODUCTS, INC. COSTA MESA, CALIFORNIA	
DRAWN A. CERRILLO			APPROVALS	DATE 9-22-94
CHECKED			SCHEMATIC DIAGRAM INPUT, POWERLIGHT 1.8	
MATERIAL			ISSUED	SCALE
FINISH			SIZE D	ENG. NO. SH-000154-00
NEXT ASSY			CAD FILE NO. SH0154A1.SCH	REV A1
USED ON			SCALE NONE	CAD FILE NO. SH0154A1.SCH
APPLICATION			SCALE NONE	SHEET 1 OF 1

SH-000154-00

4

3

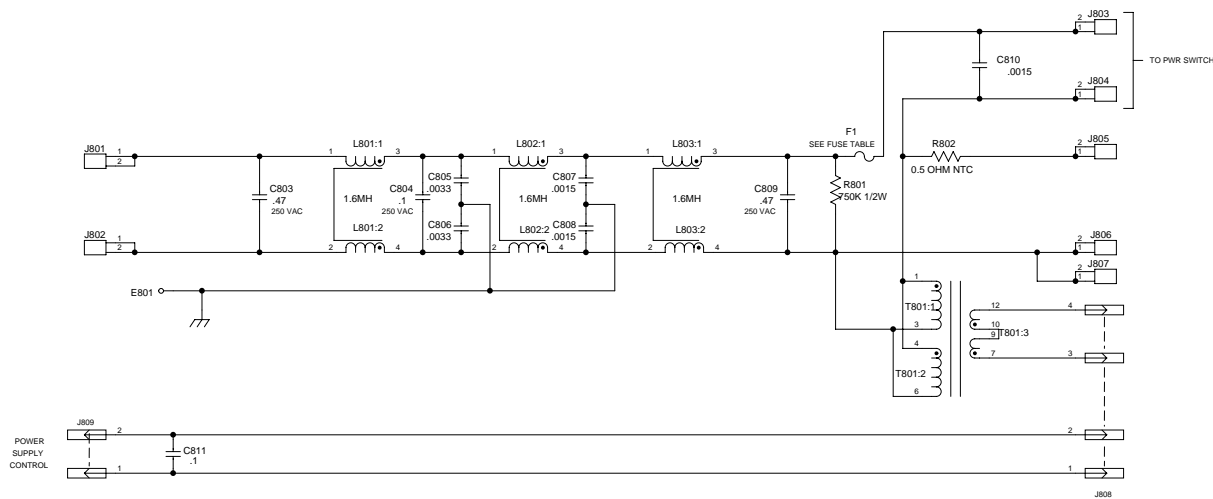
2

1

THIS DOCUMENT CONTAINS PROPRIETARY INFORMATION WHICH IS THE PROPERTY OF QSC AUDIO PRODUCTS. THAT MAY NOT BE DISCLOSED, REPRODUCED OR USED WITHOUT EXPRESS WRITTEN CONSENT FROM QSC AUDIO PRODUCTS.

SCHEMATIC DIAGRAM, AC FILTER, POWERLIGHT FOR PC-000155-00, REV B DOC NO. SH-000155-00, REV B

REVISIONS				
ZONE	REV	DESCRIPTION	DATE	APPROVED
	3	INCCORP ENG DESIGN CHANGES	9-29-94	
	A	PROD REL PER ECO 2546, BRL	1-18-95	SGM
	B	ECO2582, (EFF 2-15-95)		



POWERLIGHT 100V AND 120V CONFIGURATIONS

FUSE TABLE

MODEL	FUSE VALUE
PL1.0	20A
PL1.4	20A
PL1.8	25A

2. ALL CAPACITOR VALUES ARE IN MICROFARADS, 125 VAC, +/-20%.

1. ALL RESISTOR VALUES ARE IN OHMS, 1/4 WATT, +/-5%.

NOTES: UNLESS OTHERWISE SPECIFIED

QTY	ITEM NO.	PART NO.	DESCRIPTION	VENDOR
PARTS LIST				
UNLESS OTHERWISE SPECIFIED DIMENSIONS ARE IN INCHES. DIMENSIONS PER ANSI Y14.5-1982 TOLERANCES ARE:		CONTRACT NO.		
DECIMALS	DECIMALS	ANGLES	APPROVALS	
.XX ±	.XXX ±	°	DATE	
DEBURR EDGES .XXX R MAX		DRAWN		
MATERIAL		CHECKED		
FINISH		ISSUED		
NEXT ASSY		USED ON		
APPLICATION		DO NOT SCALE DRAWING		
		<p style="text-align: center;">SCHEMATIC DIAGRAM, AC FILTER, POWERLIGHT</p>		
		SIZE	FSCM NO.	DWG NO.
		C		SH-000155-00
		SCALE	CAD FILE NO.	SHEET
		NONE	SH0155B1.S01	1 OF 1

4

3

2

1

D

D

C

C

B

B

A

A