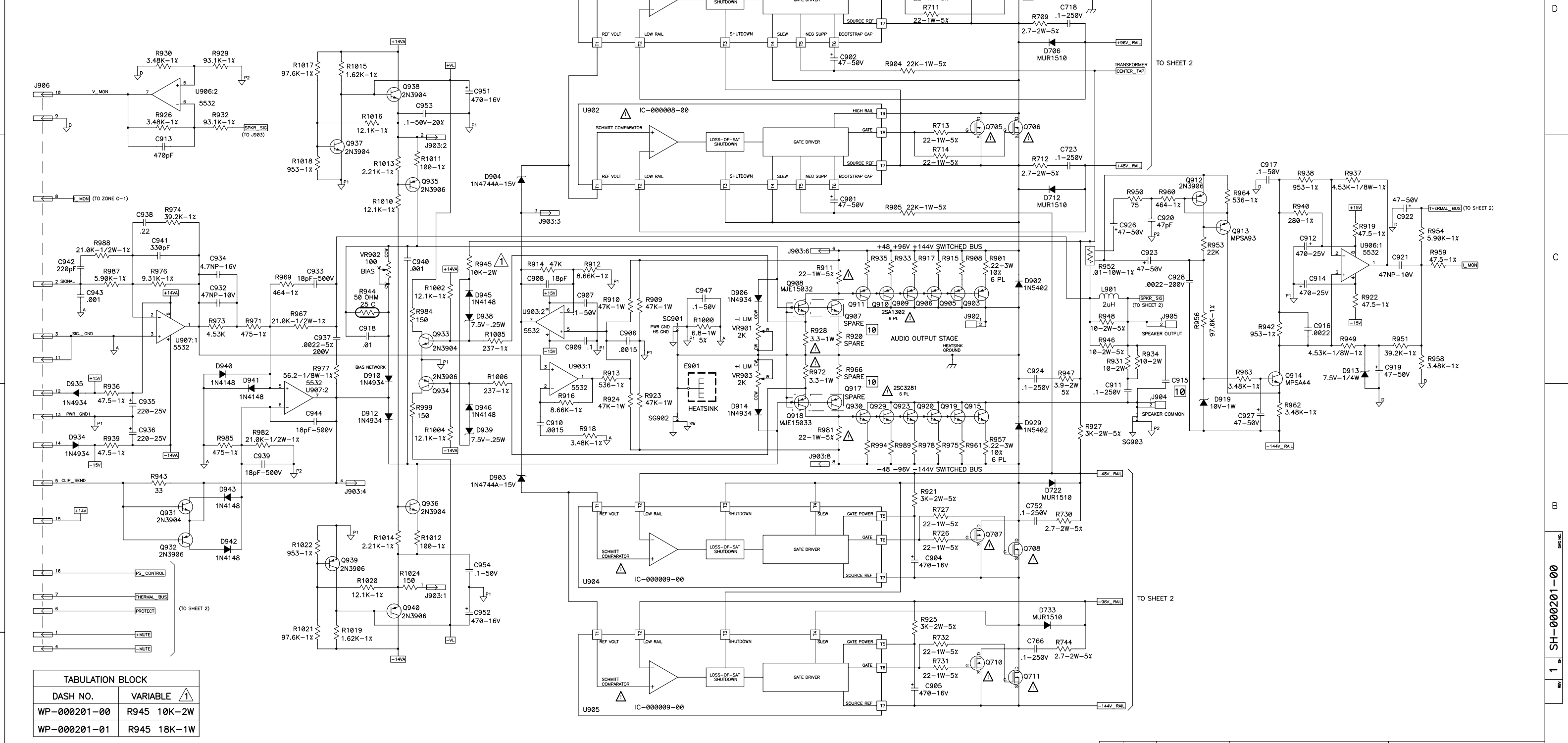


THIS DOCUMENT CONTAINS PROPRIETARY INFORMATION WHICH IS THE PROPERTY OF QSC AUDIO PRODUCTS. THAT MAY NOT BE DISCLOSED, REPRODUCED OR USED WITHOUT EXPRESS WRITTEN CONSENT FROM QSC AUDIO PRODUCTS.

REVISION				
REV	DESCRIPTION	EFF. DATE	CHK	APPROVED / DATE



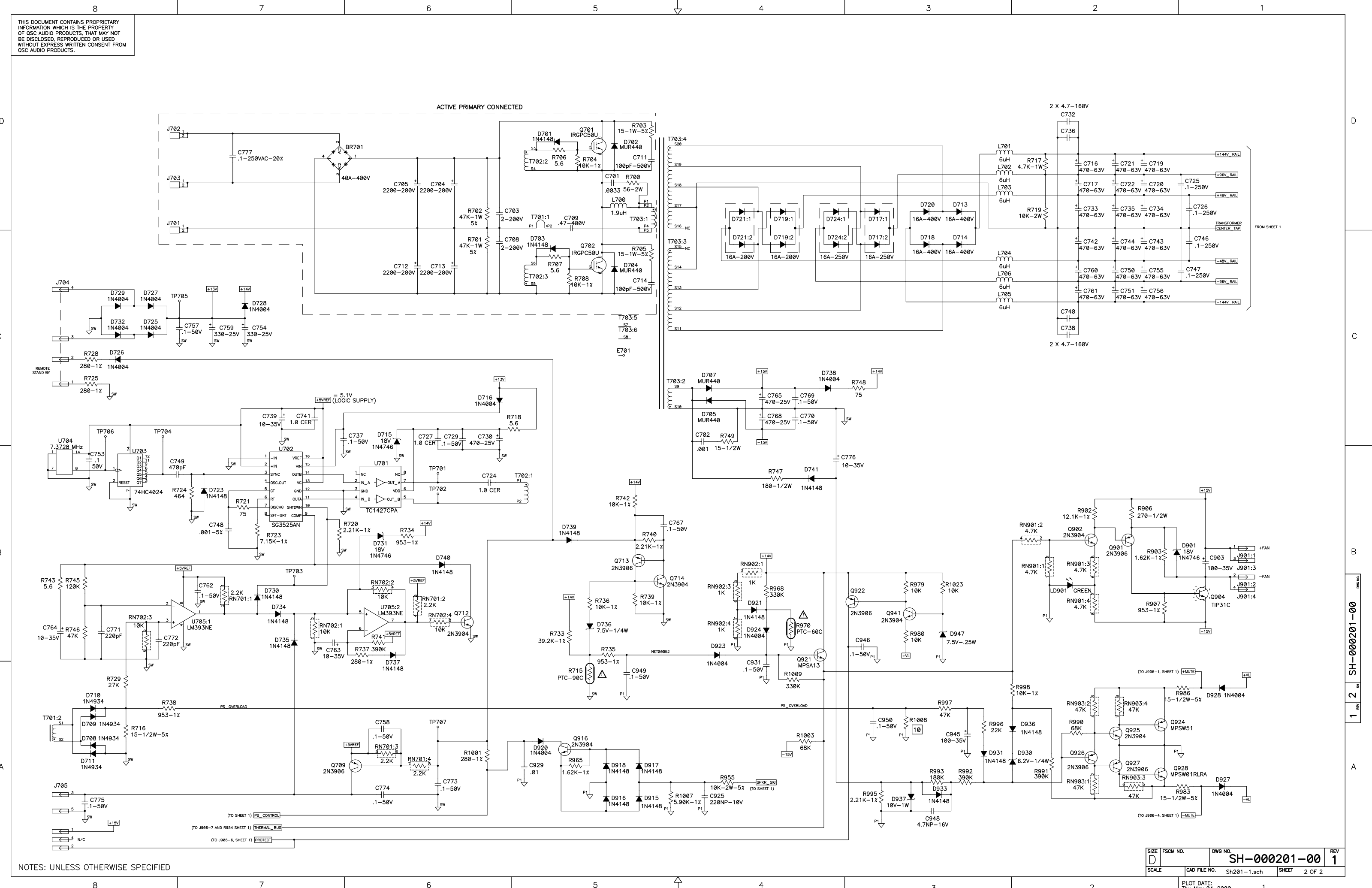
TABULATION BLOCK	
DASH NO.	VARIABLE
WP-000201-00	R945 10K-2W
WP-000201-01	R945 18K-1W

5. Q703-708, 710, 711 ARE SWITCHING FETS, QSC P/N QD-000031-QD, 125W, 60V MINIMUM, ON-RESISTANCE 0.030 OHMS MAX.
 4. R715, 970 ARE POSITIVE TEMPERATURE COEFFICIENT RESISTORS MOUNTED TO HEAT SINK. RESISTANCE 100 OHM COLD, RISING AT 55C. QSC P/N RE-000006-VP.
 3. ALL CAPACITORS 100V. TOLERANCE 20% FOR ELECTROLYTIC TYPES, 10% ON OTHER TYPES.
 2. ALL RESISTORS ARE 1/4-WATT, 5%.
 1. THIS DRAWING USED IN CONJUNCTION WITH PCB ASSEMBLY WP-000201-00.
- NOTES: UNLESS OTHERWISE SPECIFIED

- 10 COMPONENTS Q907, Q917, R920, R966, R1008, AND C915 ARE SPARES AND ARE NOT LISTED IN THE BILL OF MATERIALS.
9. TO-220 DIODES D713, 714 AND 724 ARE SELECTED FOR PEAK REVERSE VOLTAGE GREATER THAN 250V.
8. PARTS ENCLOSED WITHIN DOTTED OUTLINE HAVE VOLTAGES GREATER THAN 42V.
7. PARTS MARKED WITH TRIANGLE Δ MUST BE REPLACED WITH EXACT TYPE ONLY.
6. ZENERS D736, D938, D939, D947 AND D913, MARKED 7.5V, LOW LEAKAGE, QSC P/N QD-0007.5-ZT. ZENER D930, MARKED 6.2V, LOW LEAKAGE, QSC P/N QD-000024-QD.

QTY	ITEM NO.	PART NO.	DESCRIPTION	VENDOR
PARTS LIST				
UNLESS OTHERWISE SPECIFIED DIMENSIONS ARE IN INCHES. DIMENSIONS PER ANSI Y14.5-1982 TOLERANCES ARE:			CONTRACT NO.	
DECIMALS	DECIMALS	ANGLES	APPROVALS	
.XX ±	.XXX ±	0	DATE	
DEBURR EDGES .XXX R MAX MATERIAL			DRAWN A. ARANDA	
FINISH			CHECKED	
ISSUED			2-19-97	
CAD SEED FILE NO.			SIZE FSCM NO.	
SCALE NONE			DWG NO. SH-000201-00	
APPLICATION DO NOT SCALE DRAWING			REV	
NEXT ASSY USED ON			SHEET 1 OF 2	
PLOT DATE: Thu May 04, 2000			P:\TANGPROV\PL\2.4MB\MAIN_1	

THIS DOCUMENT CONTAINS PROPRIETARY INFORMATION WHICH IS THE PROPERTY OF QSC AUDIO PRODUCTS. THAT MAY NOT BE DISCLOSED, REPRODUCED OR USED WITHOUT EXPRESS WRITTEN CONSENT FROM QSC AUDIO PRODUCTS.

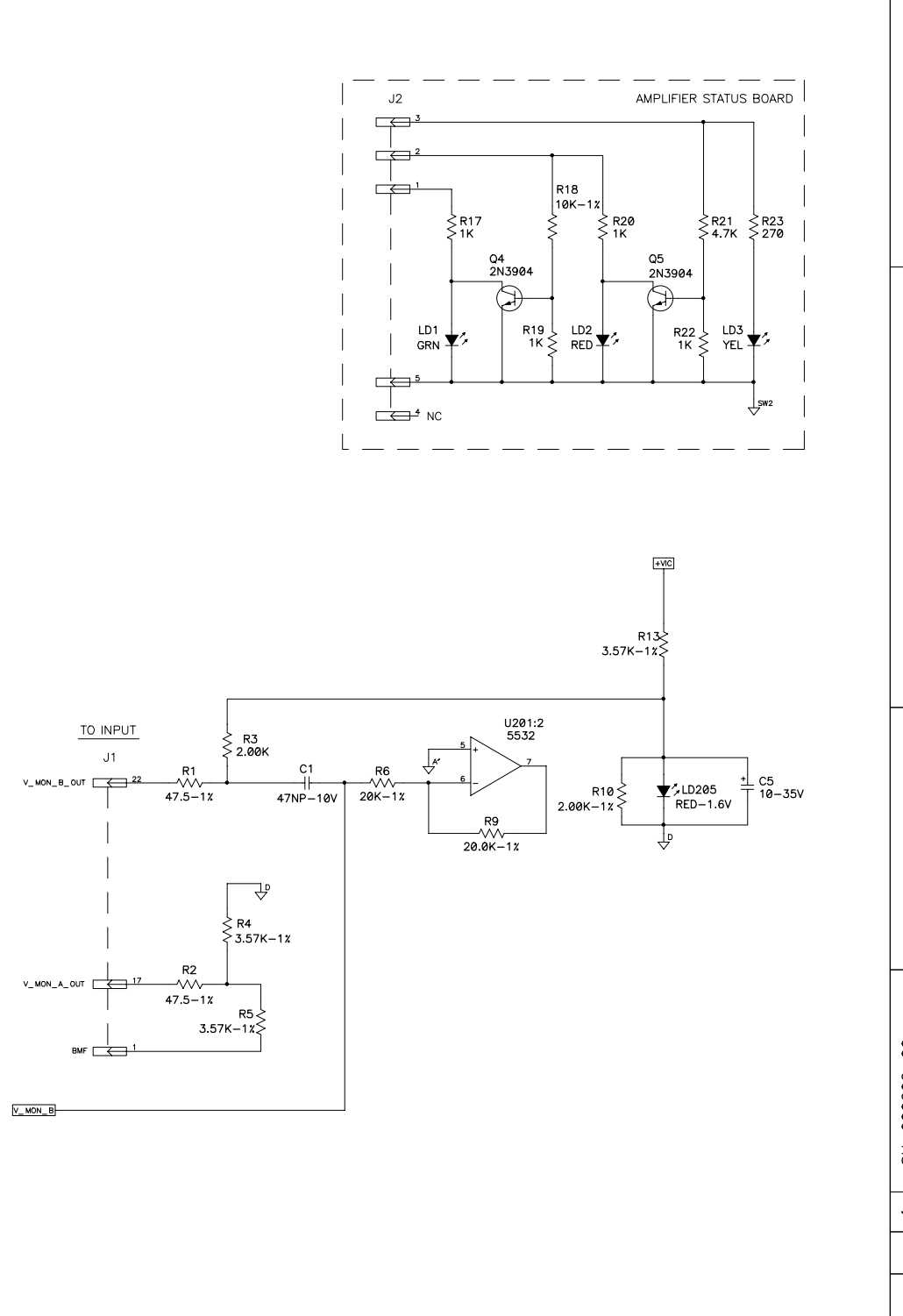
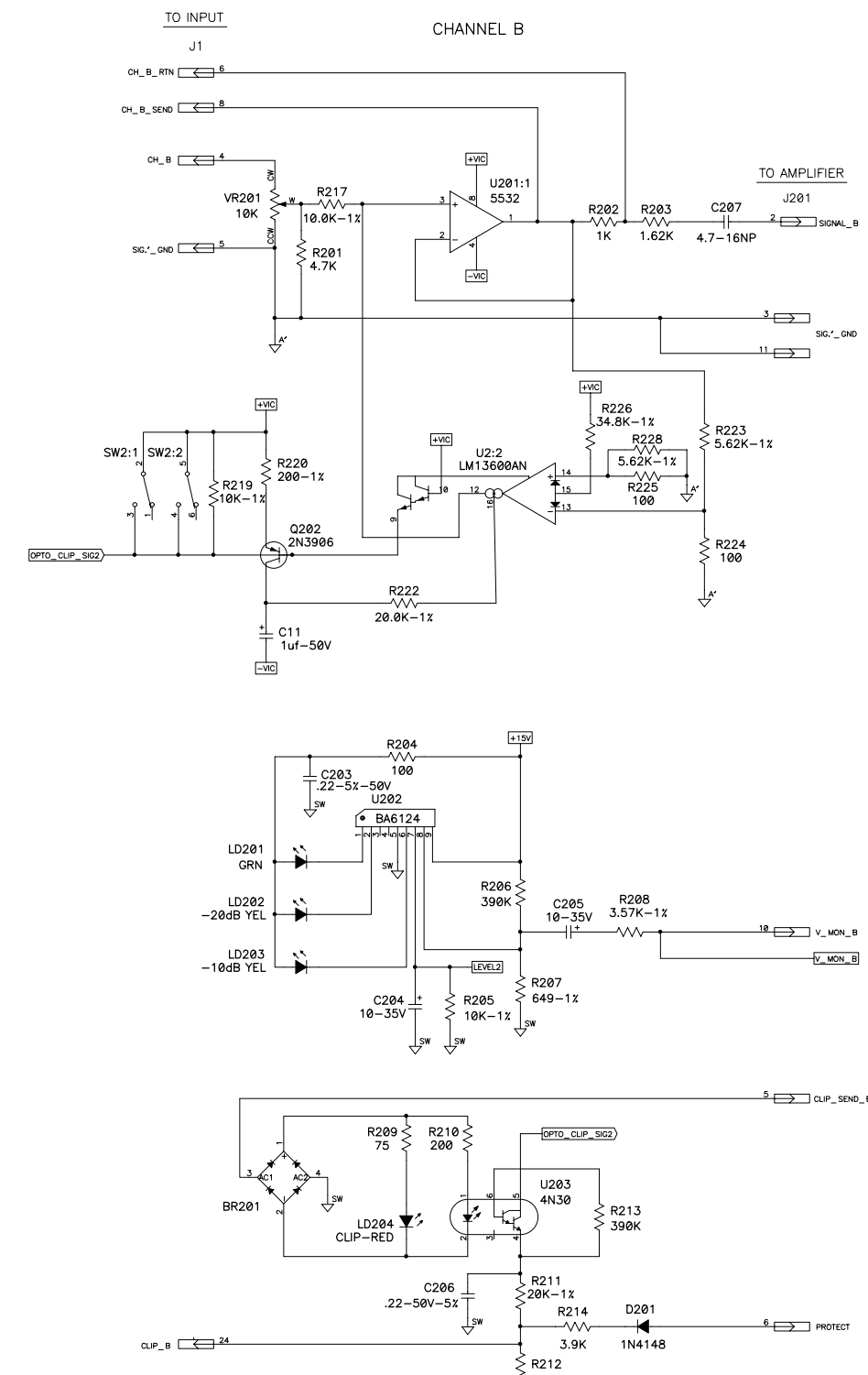
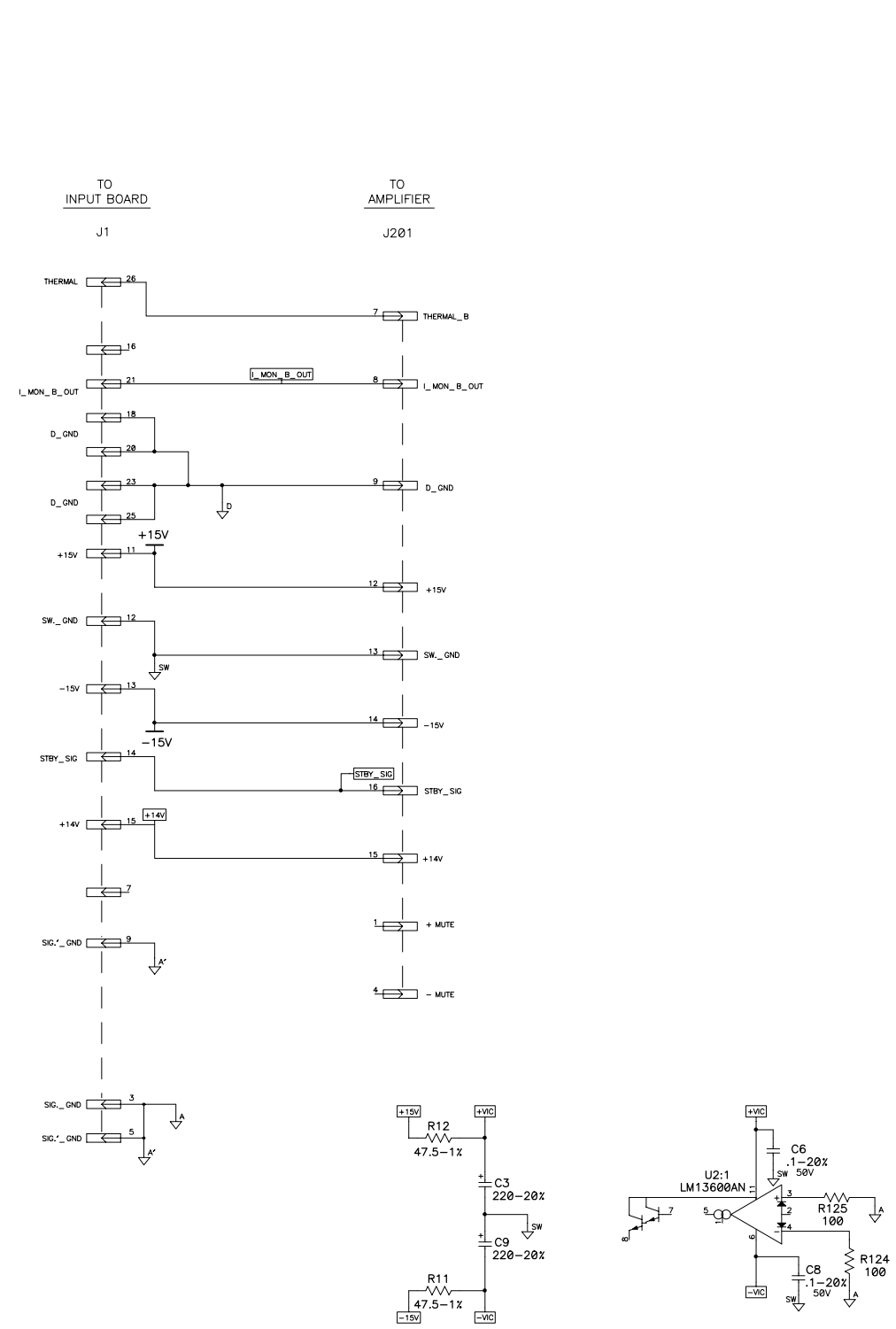


NOTES: UNLESS OTHERWISE SPECIFIED

SIZE	FSCM NO.	DWG NO.	REV
D		SH-000201-00	1
SCALE	CAD FILE NO.	SHEET	2 OF 2
	Sh201-1.sch		
PLOT DATE:		Thu May 04, 2000	

THIS DOCUMENT CONTAINS PROPRIETARY INFORMATION WHICH IS THE PROPERTY OF QSC AUDIO PRODUCTS. THAT MAY NOT BE DISCLOSED, REPRODUCED OR USED WITHOUT EXPRESS WRITTEN CONSENT FROM QSC AUDIO PRODUCTS.

REVISION				
REV	DESCRIPTION	EFF. DATE	CHK	APPROVED / DATE



4. PARTS IN COMMON WITH BOTH CHANNELS NUMBERED 1-99.
 CH 1 COMPONENTS NUMBERED 101-199.
 CH 2 COMPONENTS NUMBERED 201-299.
 3. CAPACITORS ARE IN MICROFARADS, 25V MIN.
 2. RESISTORS ARE IN OHMS, 1/4W, 5%.
 1. THIS DRAWING USED IN CONJUNCTION WITH ASSEMBLY WP-000202-00 AND FABRICATION DRAWING PC-000149-00.
 NOTES: UNLESS OTHERWISE SPECIFIED

QTY	ITEM NO.	PART NO.	DESCRIPTION	VENDOR
PARTS LIST				
UNLESS OTHERWISE SPECIFIED DIMENSIONS ARE IN INCHES. DIMENSIONS PER ANSI Y14.5-1982 TOLERANCES ARE:			CONTRACT NO.	
DECIMALS	DECIMALS	ANGLES	APPROVALS	DATE
.XX ±	.XXX ±	0	R. BECKER	3-12-96
DEBURR EDGES .XXX R MAX MATERIAL			CHECKED	
FINISH			ISSUED	
WP-000202-00	PL 2.4MB	DO NOT SCALE DRAWING	SCALE NONE	
NEXT ASSY		USED ON	CAD SEED FILE NO. SH0149-B.SCH	
APPLICATION		DO NOT SCALE DRAWING	THU MAY 04 2000	
P:\TANGOPRO\PL\PL2.2MB \DISPLAY			SHEET 1 OF 1	

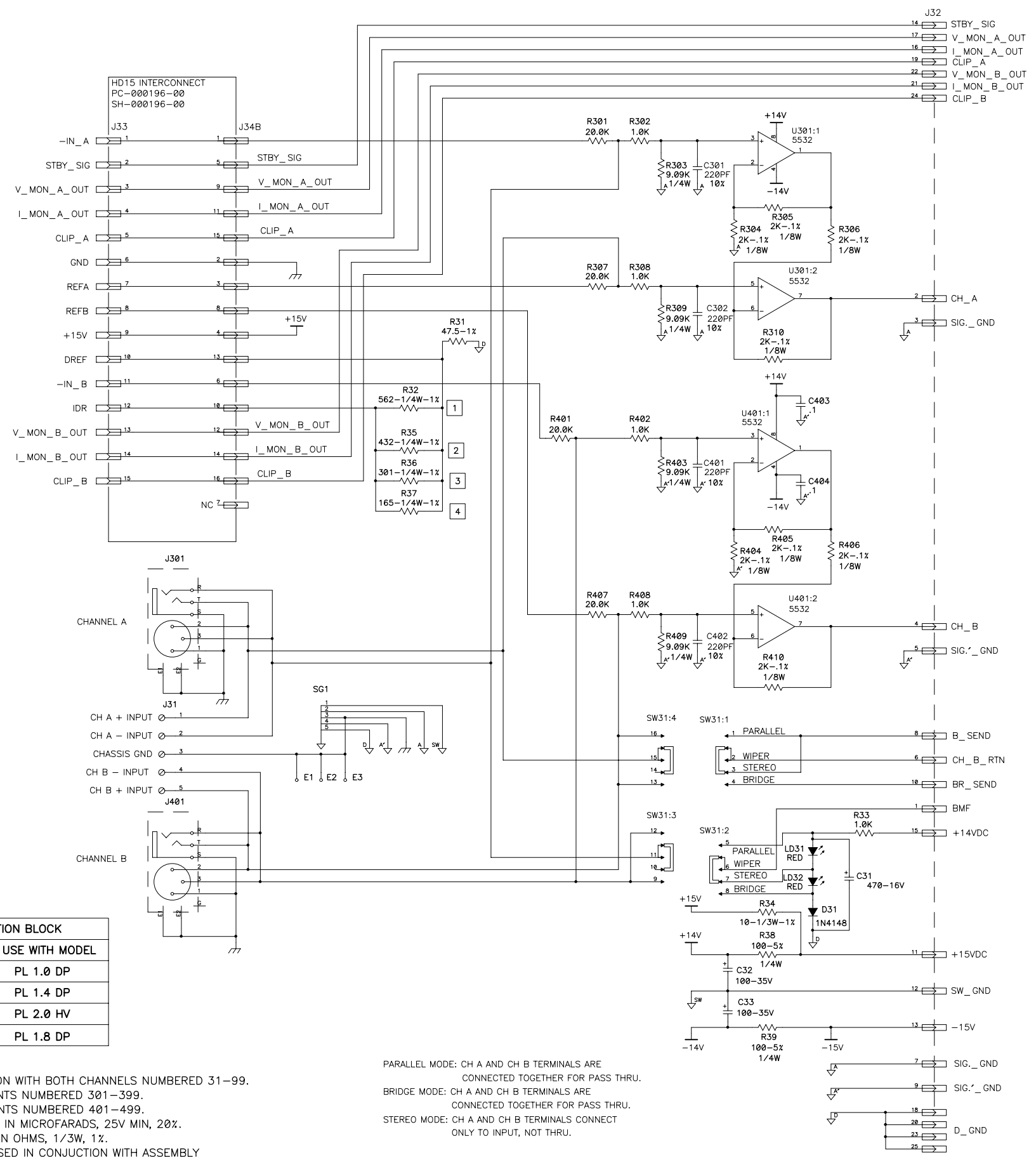
QSC AUDIO PRODUCTS, INC.
 COSTA MESA, CALIFORNIA

SCHEMATIC DIAGRAM
 DISPLAY, POWERLIGHT 2.4MB

SH-000202-00

SH-000202-00

THIS DOCUMENT CONTAINS PROPRIETARY INFORMATION WHICH IS THE PROPERTY OF QSC AUDIO PRODUCTS. THAT MAY NOT BE DISCLOSED, REPRODUCED OR USED WITHOUT EXPRESS WRITTEN CONSENT FROM QSC AUDIO PRODUCTS.



TABULATION BLOCK		
REF. NO.	USE WITH MODEL	
1	R32	PL 1.0 DP
2	R35	PL 1.4 DP
3	R36	PL 2.0 HV
4	R37	PL 1.8 DP

4. PARTS IN COMMON WITH BOTH CHANNELS NUMBERED 31-99.
 CH A COMPONENTS NUMBERED 301-399.
 CH B COMPONENTS NUMBERED 401-499.
 3. CAPACITORS ARE IN MICROFARADS, 25V MIN, 20%.
 2. RESISTORS ARE IN OHMS, 1/3W, 1%.
 1. THIS DRAWING USED IN CONJUNCTION WITH ASSEMBLY
 WP-000148-00 AND FABRICATION DRAWING PC-000148-00.
 NOTES: UNLESS OTHERWISE SPECIFIED

PARALLEL MODE: CH A AND CH B TERMINALS ARE CONNECTED TOGETHER FOR PASS THRU.
 BRIDGE MODE: CH A AND CH B TERMINALS ARE CONNECTED TOGETHER FOR PASS THRU.
 STEREO MODE: CH A AND CH B TERMINALS CONNECT ONLY TO INPUT, NOT THRU.

QTY	ITEM NO.	PART NO.	DESCRIPTION	VENDOR
PARTS LIST				
UNLESS OTHERWISE SPECIFIED DIMENSIONS ARE IN INCHES. DIMENSIONS PER ANSI Y14.5-1982 TOLERANCES ARE: DECIMALS DECIMALS ANGLES .xx ± .xxx ± 0 DEBURR EDGES .XXX R MAX MATERIAL			QSC AUDIO PRODUCTS, INC. COSTA MESA, CALIFORNIA SCHEMATIC DIAGRAM INPUT, POWERLIGHT 1.8 DP	
DRAWN A. CERRILLO		DATE 2-28-96		CONTRACT NO. APPROVALS TIM SHOOK 8-22-96
CHECKED W. RULAND		DATE 8-21-96		
ISSUED TIM SHOOK		DATE 8-22-96		SIZE D FSCM NO. DWG NO. SH-000148-00 REV
NEXT ASSY		USED ON		CAD SEED FILE NO. SH0148-2.SCH Thu May 04 2000 SCALE NONE CAD FILE NO. SH0148-B.sch SHEET 1 OF 1
APPLICATION		DO NOT SCALE DRAWING		

SH-000148-00