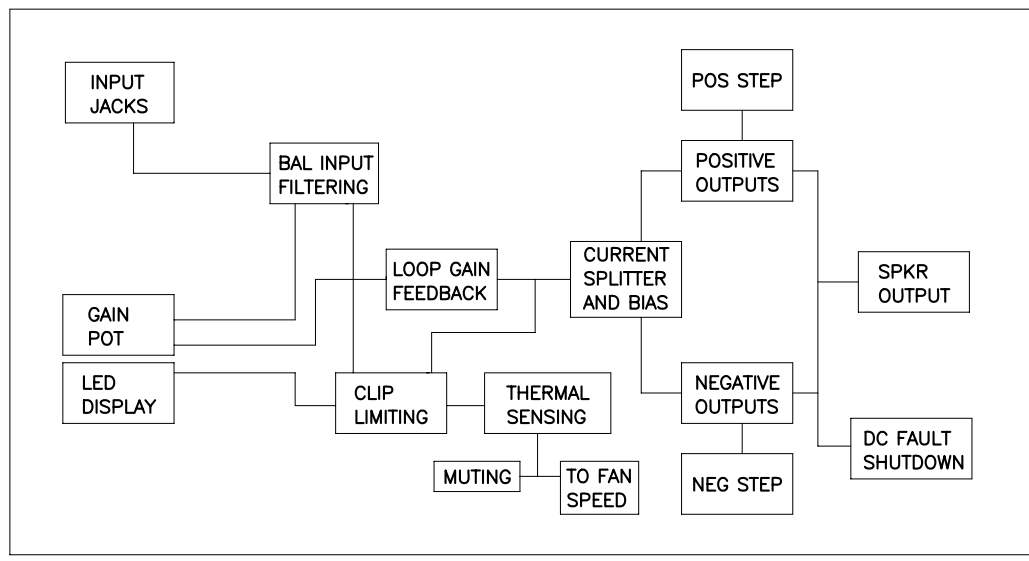
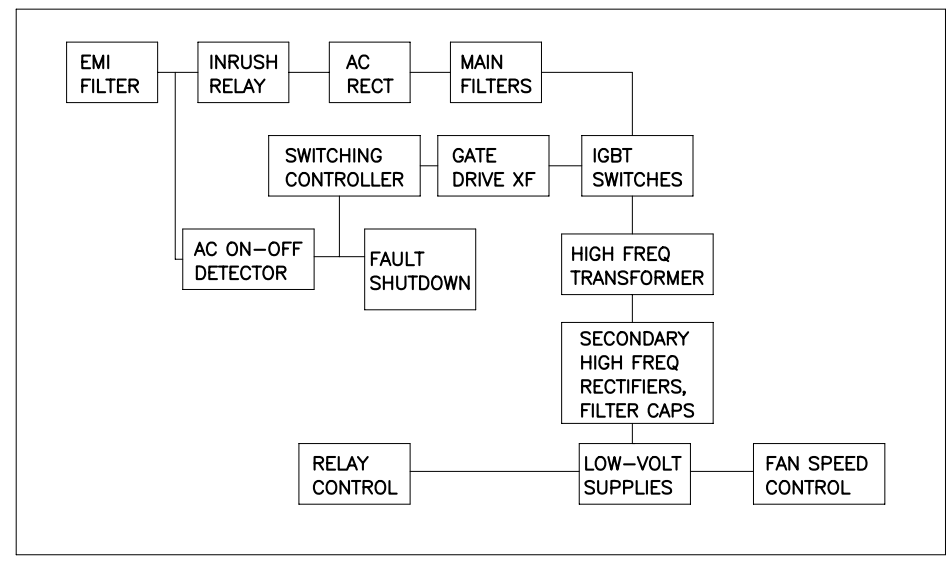


THIS DOCUMENT CONTAINS PROPRIETARY INFORMATION WHICH IS THE PROPERTY OF QSC AUDIO PRODUCTS, THAT MAY NOT BE DISCLOSED, REPRODUCED OR USED WITHOUT EXPRESS WRITTEN CONSENT FROM QSC AUDIO PRODUCTS.

REVISION				
REV	DESCRIPTION	EFF. DATE	CHK	APPROVED/DATE
A	PRODUCTION RELEASE PER ECO 7030	2-17-06	RAB	DD
B	REVISED PER ECO 7067	3-10-06	RAB	DD
C	REVISED PER ECO 7089	3-16-06	RAB	DD
D	REVISED PER ECO 7094	3-22-06		DD
E	REVISED PER ECO 7147 AA	4-11-06		DD
F	REVISED PER ECO 7174 AA CANCEL	4-28-06		DD
G	REVISED PER ECO 7181 AA	4-30-06		DD
H	REVISED PER ECO 7257 AA	5-30-06		DD
J	REVISED PER ECO 8638 IO C64, C73 220PF	5-02-08		DD



CHANNEL A AND B
AUDIO CIRCUITS
SHEET 2



SWITCHING
POWER
SUPPLY
SHEET 3

- 8. ZENER TOLERANCE IS 5%
- 7. SMT CAPACITOR VOLTAGE IS 50V
- 6. SMT RESISTOR WATTAGE RATING IS 0.1W
- 5. RESISTOR WATTAGE RATING IS 1/4W
FOR RESISTOR WATTAGE RATINGS GREATER THAN 1W, TOLERANCE IS 5%
FOR RESISTOR WATTAGE RATINGS LESS THAN 1/2W, TOLERANCE IS 1%
- 4. THROUGH-HOLE FILM AND CERAMIC CAPACITOR TOLERANCE IS 10%, VOLTAGE IS 100V
- 3. ELECTROLYTIC CAPACITOR TOLERANCE IS 20%
- 2. COMPONENTS WITH VALUE PREFIXED WITH A "*" REPRESENT SMT COMPONENTS.
- 1. THIS DRAWING USED IN CONJUNCTION WITH PC-001810-00.PCB.

TABULATION BLOCK						
VERSION	T3	CB	J400, 401	C400	L400	R400, 401
120V	XF-183	15A	N/A	N/A	N/A	N/A
100V	100V	15A	N/A	N/A	N/A	N/A
230V	XF-183	8A	CO-000009-ZT	CA-518001-00	XF-271	RE-005606-10

QTY	ITEM NO.	PART NO.	DESCRIPTION	VENDOR
PARTS LIST				
UNLESS OTHERWISE SPECIFIED DIMENSIONS ARE IN INCHES. DIMENSIONS PER ANSI Y14.5-1982 TOLERANCES ARE: DECIMALS DECIMALS ANGLES .xx ± .xxx ± 0			CONTRACT NO.	
DEBURR EDGES .XXX R MAX MATERIAL			APPROVALS DATE	
FINISH			DRAWN PAT QUILTER 4-25-2008	
NEXT ASSY USED ON			CHECKED R. BECKER 2-16-06	
APPLICATION			ISSUED D. DELARM 2-17-06	
DO NOT SCALE DRAWING			CAD SEED FILE NO.	

QSC AUDIO PRODUCTS, INC.
COSTA MESA, CALIFORNIA

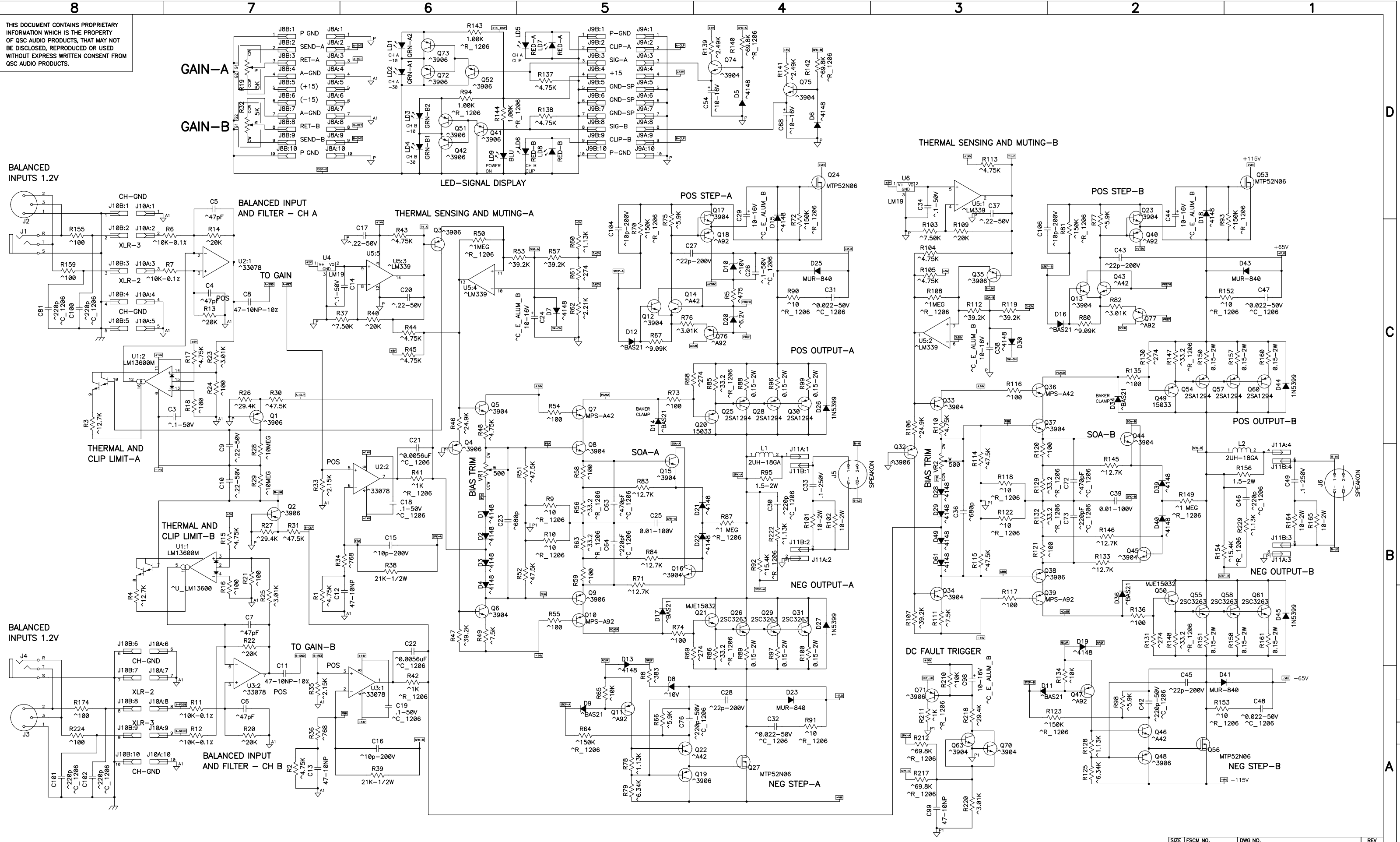
**SCHEMATIC DIAGRAM
PLX1804**

SIZE: **D** FSCM NO. DWG NO. **SH-001810-00** REV **J**

Thu May 01, 2008 SCALE: NONE CAD FILE NO. SH-001810-00-J.sch SHEET 1 OF 3

J REV 1 SH-001810-00 DWG NO.

THIS DOCUMENT CONTAINS PROPRIETARY INFORMATION WHICH IS THE PROPERTY OF QSC AUDIO PRODUCTS, THAT MAY NOT BE DISCLOSED, REPRODUCED OR USED WITHOUT EXPRESS WRITTEN CONSENT FROM QSC AUDIO PRODUCTS.



THIS DOCUMENT CONTAINS PROPRIETARY INFORMATION WHICH IS THE PROPERTY OF QSC AUDIO PRODUCTS, THAT MAY NOT BE DISCLOSED, REPRODUCED OR USED WITHOUT EXPRESS WRITTEN CONSENT FROM QSC AUDIO PRODUCTS.

HIGH FREQUENCY POWER SUPPLY

SECONDARY-SIDE POWER SUPPLY

