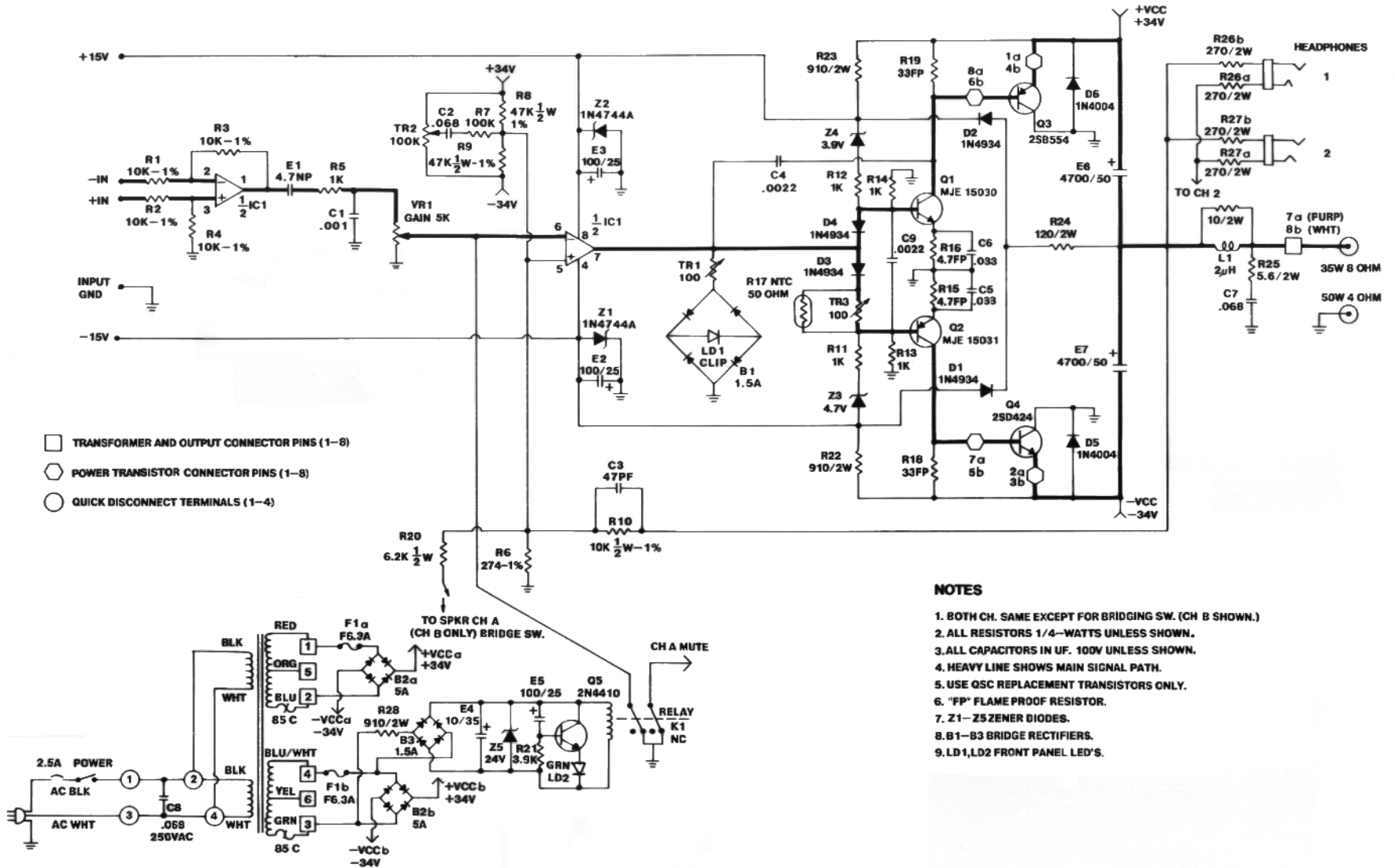


QSC-108000-AM 1080
 SCHEMATIC



- TRANSFORMER AND OUTPUT CONNECTOR PINS (1-8)
- POWER TRANSISTOR CONNECTOR PINS (1-8)
- QUICK DISCONNECT TERMINALS (1-4)

NOTES

1. BOTH CH. SAME EXCEPT FOR BRIDGING SW. (CH B SHOWN.)
2. ALL RESISTORS 1/4-WATTS UNLESS SHOWN.
3. ALL CAPACITORS IN UF. 100V UNLESS SHOWN.
4. HEAVY LINE SHOWS MAIN SIGNAL PATH.
5. USE QSC REPLACEMENT TRANSISTORS ONLY.
6. "FP" FLAME PROOF RESISTOR.
7. Z1-Z5 ZENER DIODES.
8. B1-B3 BRIDGE RECTIFIERS.
9. LD1, LD2 FRONT PANEL LED'S.