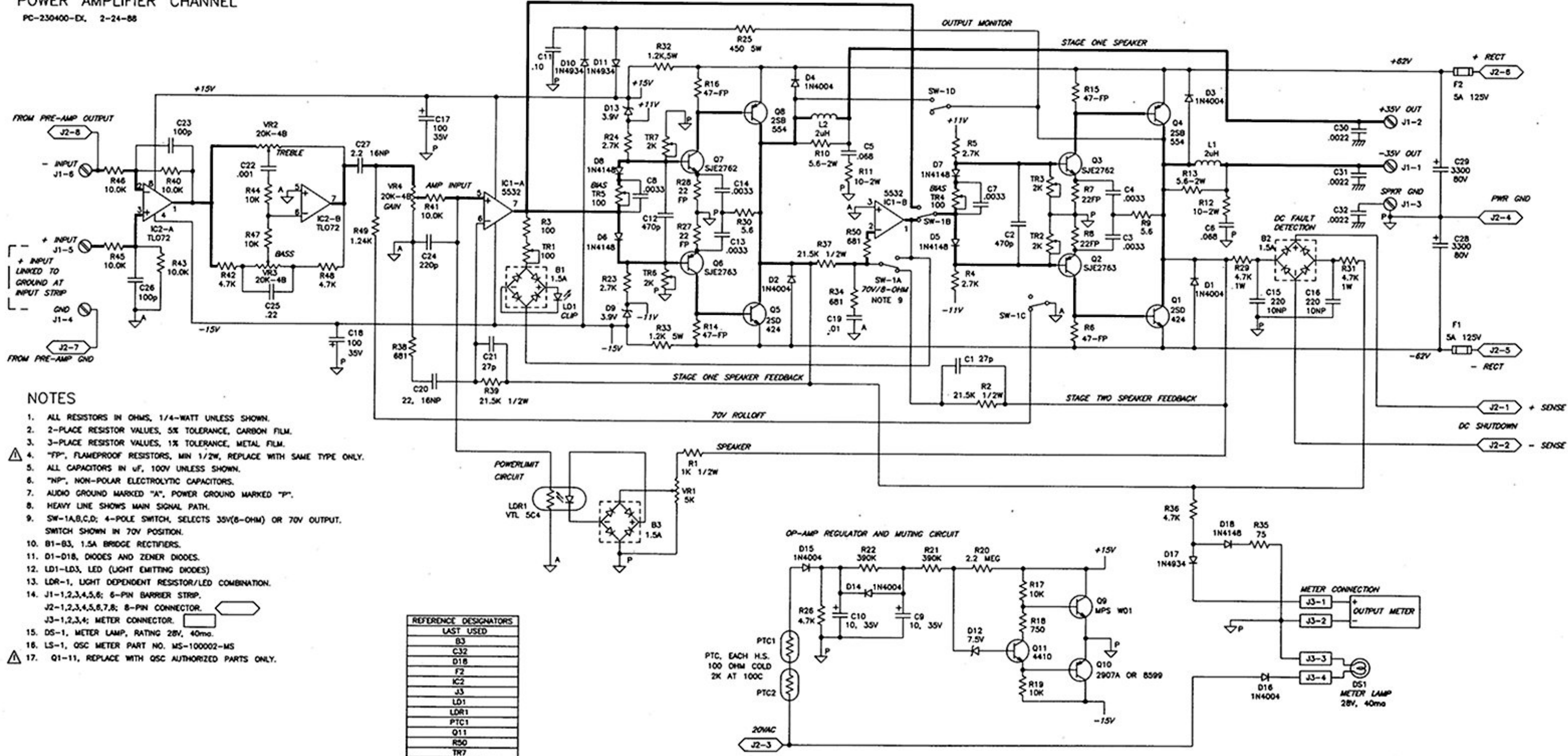


# POWER AMPLIFIER CHANNEL

PC-230400-EX, 2-24-88



## NOTES

1. ALL RESISTORS IN OHMS, 1/4-WATT UNLESS SHOWN.
2. PLACE RESISTOR VALUES, 5% TOLERANCE, CARBON FILM.
3. PLACE RESISTOR VALUES, 1% TOLERANCE, METAL FILM.
4. "FP", FLAMEPROOF RESISTORS, MIN 1/2W, REPLACE WITH SAME TYPE ONLY.
5. ALL CAPACITORS IN uF, 100V UNLESS SHOWN.
6. "NP", NON-POLAR ELECTROLYTIC CAPACITORS.
7. AUDIO GROUND MARKED "A", POWER GROUND MARKED "P".
8. HEAVY LINE SHOWS MAIN SIGNAL PATH.
9. SW-1A,B,C,D: 4-POLE SWITCH, SELECTS 35V(8-OHM) OR 70V OUTPUT. SWITCH SHOWN IN 70V POSITION.
10. B1-B3, 1.5A BRIDGE RECTIFIERS.
11. D1-D18, DIODES AND ZENER DIODES.
12. LD1-LD3, LED (LIGHT EMITTING DIODES)
13. LDR-1, LIGHT DEPENDENT RESISTOR/LED COMBINATION.
14. J1-1,2,3,4,5,6: 6-PIN BARRIER STRIP.  
J2-1,2,3,4,5,6,7,8: 8-PIN CONNECTOR.  
J3-1,2,3,4: METER CONNECTOR.
15. DS-1, METER LAMP, RATING 28V, 40ma.
16. LS-1, OSC METER PART NO. MS-100002-MS
17. Q1-11, REPLACE WITH OSC AUTHORIZED PARTS ONLY.

REFERENCE DESIGNATORS	LAST USED
B3	
C32	
D18	
F2	
IC2	
J3	
LD1	
LDR1	
PTC1	
Q11	
R50	
TR7	