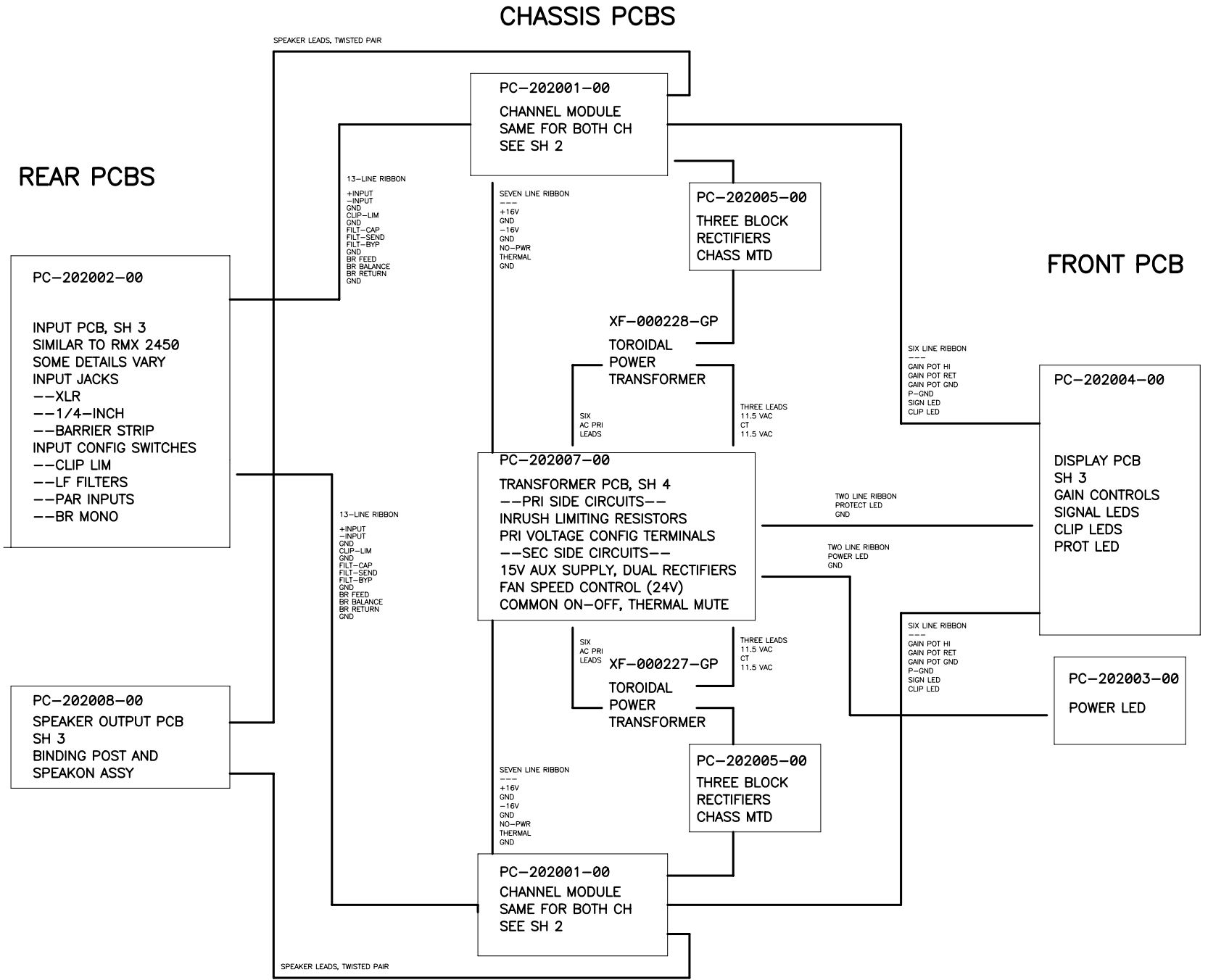


THIS DOCUMENT CONTAINS PROPRIETARY INFORMATION WHICH IS THE PROPERTY OF QSC AUDIO PRODUCTS, THAT MAY NOT BE DISCLOSED, REPRODUCED OR USED WITHOUT EXPRESS WRITTEN CONSENT FROM QSC AUDIO PRODUCTS.

REVISION				
REV	DESCRIPTION	EFF. DATE	CHK	APPROVED / DATE
1	FROM RMX5050, GAIN POTS, OUTPUT CONN, SIG LEDS	03-12-10		
A	RELEASE PER ECO 10186 NO CHANGES	08-23-10	ROBIN DD	08-20-10

WIRING DIAGRAM AND PCB ARRANGEMENT



11. ZENER TOLERANCE IS 5%
 10. SMT CAPACITOR VOLTAGE IS 50V
 9. SMT RESISTOR WATTAGE RATING IS 0.1W UNLESS MARKED 1206, 0.2W SMT RESISTOR TOLERANCE 1%
 8. THRU HOLE RESISTORS USED FOR 1/4W AND HIGHER. FOR RESISTOR WATTAGE RATINGS GREATER THAN 1W, TOLERANCE IS 5% FOR RESISTOR WATTAGE RATINGS LESS THAN 1/2W, TOLERANCE IS 1%
 7. THROUGH-HOLE FILM AND CERAMIC CAPACITOR TOLERANCE IS 10%, VOLTAGE IS 100V
 6. ELECTROLYTIC CAPACITOR TOLERANCE IS 20%
 5. ALL RIBBON CABLES ARE CONNECTED PIN TO CORRESPONDING PIN
 4. PART NUMBERING SCHEME PARTS IN COMMON TO BOTH CH: 1-99. CH 1 AND 2 PARTS (USES SAME PCB) 101-UP
 3. COMPONENTS MARKED WITH Δ ARE SAFETY CRITICAL PARTS.
 2. COMPONENTS WITH VALUE PREFIXED WITH A ** REPRESENT SMT COMPONENTS.
 1. THIS DRAWING USED IN CONJUNCTION WITH ASSEMBLY WP-202001-00
- NOTES: UNLESS OTHERWISE SPECIFIED

QTY	ITEM NO.	PART NO.	DESCRIPTION	VENDOR
PARTS LIST				
UNLESS OTHERWISE SPECIFIED DIMENSIONS ARE IN INCHES. DIMENSIONS PER ANSI Y14.5-1982 TOLERANCES ARE:			CONTRACT NO.	
DECIMALS	DECIMALS	ANGLES	QSC AUDIO PRODUCTS, LLC COSTA MESA, CALIFORNIA	
.XX ±	.XXX ±	0	APPROVALS	DATE
DEBURR EDGES .XXX R MAX			DRAWN	03/12/2010
MATERIAL			CHECKED	08-12-10
FINISH			ISSUED	08-20-10
NEXT ASSY			D. DELARM	
USED ON			CAD SEED FILE NO.	PLOT DATE:
APPLICATION			DO NOT SCALE DRAWING	Fri Aug 28, 2018

A REV 1 SH-202001-00 DWG NO.

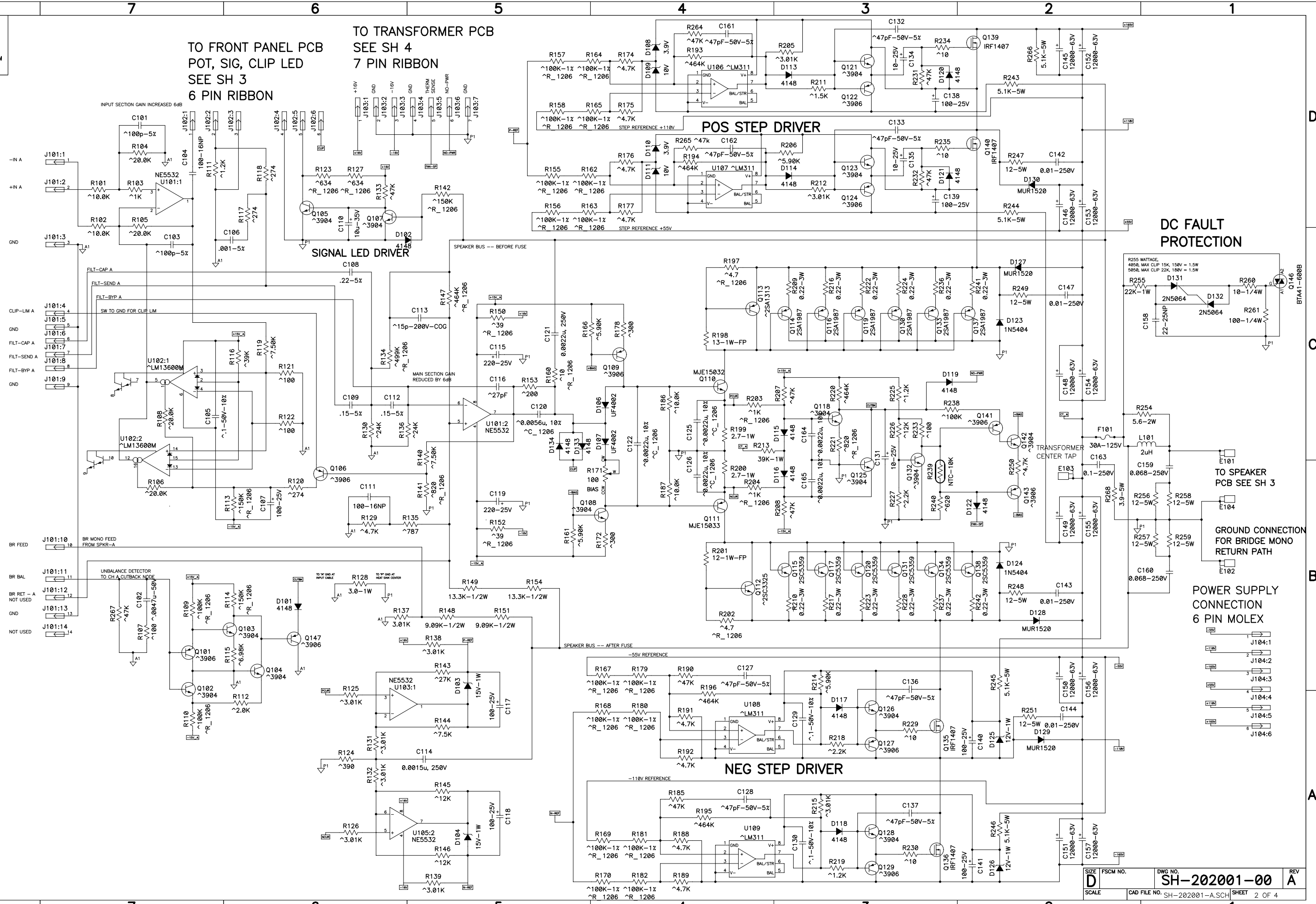
A QSC AUDIO PRODUCTS, LLC COSTA MESA, CALIFORNIA SCHEMATIC DIAGRAM CMX2000V SIZE D FSCM NO. DWG NO. SH-202001-00 REV A SCALE NONE CAD FILE NO. SH-202001-A.SCH SHEET 1 OF 4

THIS DOCUMENT CONTAINS PROPRIETARY INFORMATION WHICH IS THE PROPERTY OF QSC AUDIO PRODUCTS, THAT MAY NOT BE DISCLOSED, REPRODUCED OR USED WITHOUT EXPRESS WRITTEN CONSENT FROM QSC AUDIO PRODUCTS.

PC-202001-00
TO REAR PANEL INPUT PCB
SEE SH 3
14 PIN RIBBON

TO FRONT PANEL PCB
POT, SIG, CLIP LED
SEE SH 3
6 PIN RIBBON

TO TRANSFORMER PCB
SEE SH 4
7 PIN RIBBON



D

C

B

A

D

C

B

A

DC FAULT PROTECTION

TO SPEAKER PCB SEE SH 3

GROUND CONNECTION FOR BRIDGE MONO RETURN PATH

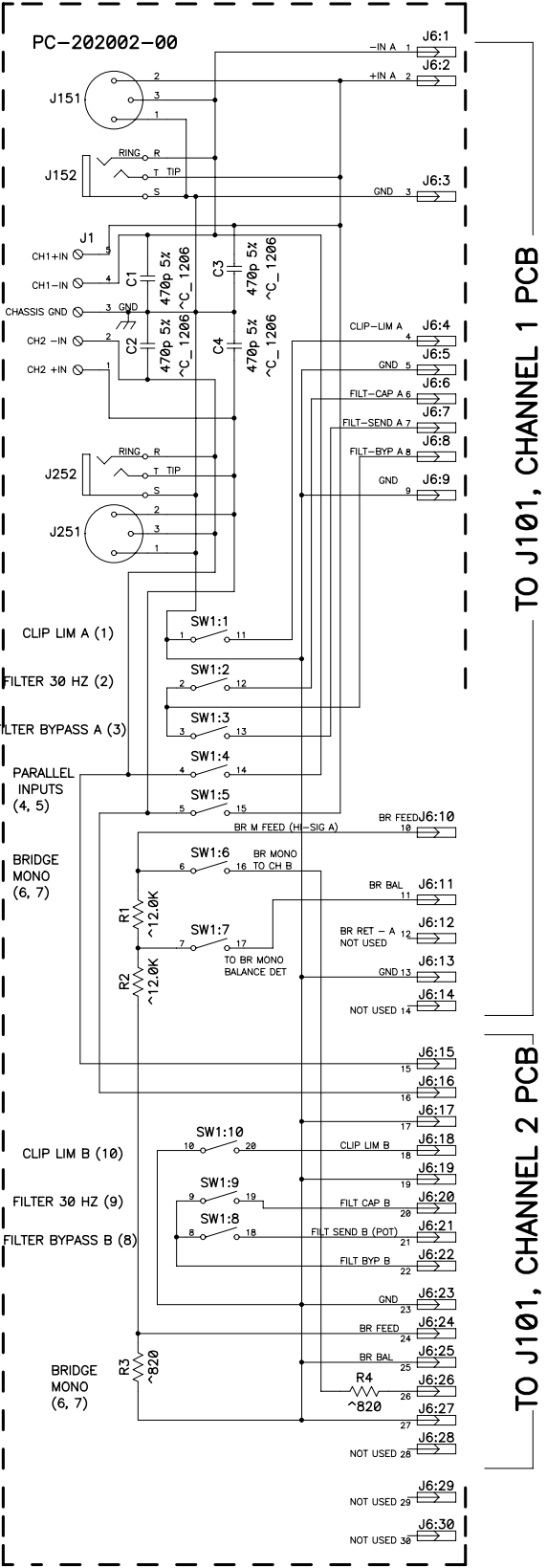
POWER SUPPLY CONNECTION
6 PIN MOLEX

THIS DOCUMENT CONTAINS PROPRIETARY INFORMATION WHICH IS THE PROPERTY OF QSC AUDIO PRODUCTS. THAT MAY NOT BE DISCLOSED, REPRODUCED OR USED WITHOUT EXPRESS WRITTEN CONSENT FROM QSC AUDIO PRODUCTS.

REAR PANEL INPUT PCB DUAL 14-CONDUCTOR CABLES ONE TO EACH CHANNEL

CH 1 INPUTS

CH 2 INPUTS



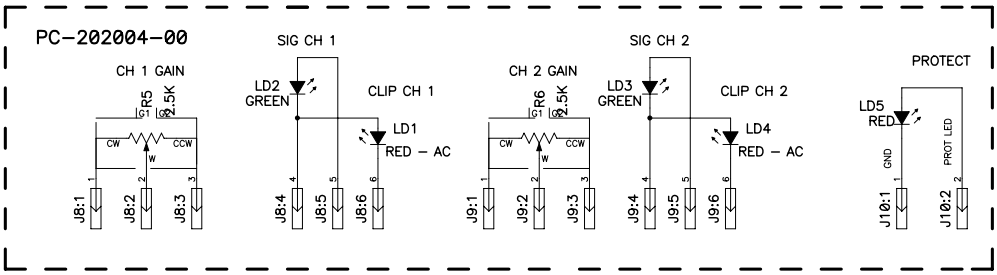
TO J101, CHANNEL 1 PCB

TO J101, CHANNEL 2 PCB

- IN B
- +IN B
- GND
- CLIP-LIM B
- GND
- FILT-CAP B
- FILT-SEND B
- FILT-BYP B
- GND
- BR FEED
- USED FOR BAL
- BR BAL B
- NOT USED ON CH B
- BR RET - B
- FB NODE
- GND

NOTE - NEW
2.5K LINEAR 3B
RIGHT ANGLE POT,
21 DETENT

FRONT PCB, 2-GAIN, 2-SIG LED, 2-CLIP LED, PROT LED

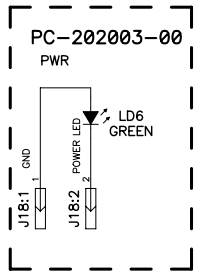


TO J102 OF CHANNEL 1 PCB

TO J102 OF CHANNEL 2 PCB

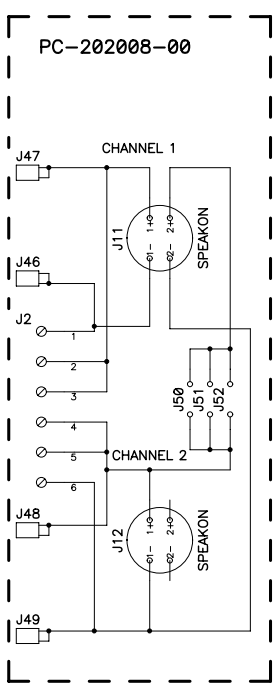
TO J20 OF
AC PCB

POWER LED PCB



TO J21 OF
AC PCB

SPEAKER PCB



6 POS PLUGGABLE
TERMINAL BLOCK

THIS DOCUMENT CONTAINS PROPRIETARY INFORMATION WHICH IS THE PROPERTY OF QSC AUDIO PRODUCTS, THAT MAY NOT BE DISCLOSED, REPRODUCED OR USED WITHOUT EXPRESS WRITTEN CONSENT FROM QSC AUDIO PRODUCTS.

TABLE 1

AC LINE VOLTAGE			
100V	120V	240V	TAB
A	A	A	J21
D	D	-	J22
C	B	B	J23
-	-	C	J24
-	-	D	J25
F	E	E	J26
B	C	-	J27
E	F	F	J28

POWER TRANSFORMER PRIMARY LEAD COLOR

TABLE 2

AC LINE VOLTAGE			
	100V	120V	240V
CIRCUIT BREAKER	20A-125V	20A-125V	10A-250V
INRUSH RESISTOR	1 OHM 30A	1 OHM 30A	4 OHM 15A
LINE FILTER	NO	NO	YES

