

THIS DOCUMENT CONTAINS PROPRIETARY INFORMATION WHICH IS THE PROPERTY OF QSC AUDIO PRODUCTS, THAT MAY NOT BE DISCLOSED, REPRODUCED OR USED WITHOUT EXPRESS WRITTEN CONSENT FROM QSC AUDIO PRODUCTS.

REVISION				
REV	DESCRIPTION	EFF. DATE	CHK	APPROVED / DATE
A	PRODUCTION RELEASE PER ECO 5784 AA	06-27-03	RB	DD
B	REVISED PER ECO 5888 AA	09-12-03		

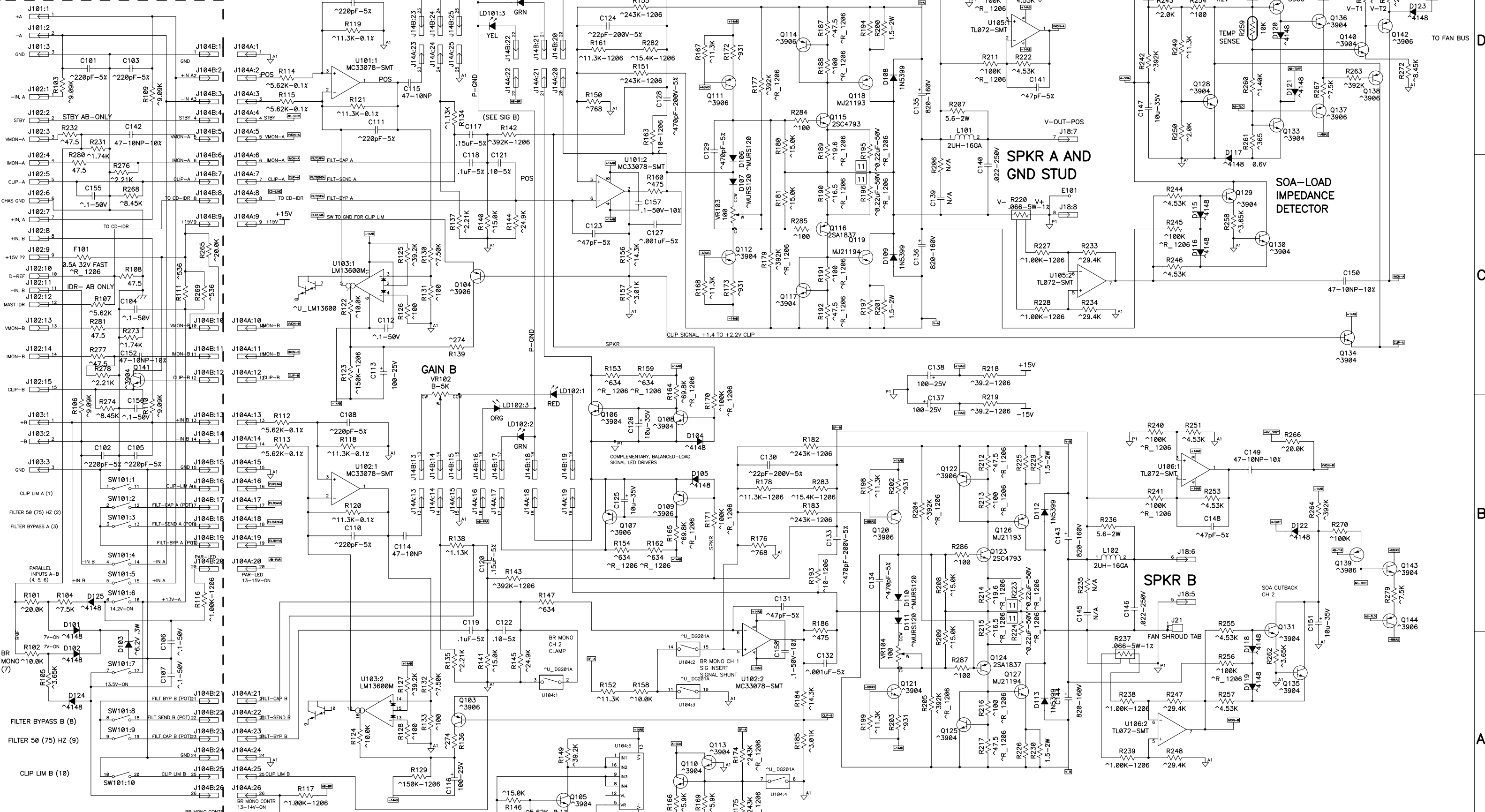
- 11 R195, 196, 233, 244, 395, 396, 423, 424, 595, 596, 623, 624, 795, 796, 823, 824: SMT 1206 SIZE CAPACITORS ARE USED AT THESE LOCATIONS
 - 9 R36, 37, 42, 45: VALUE DEPENDS ON MODEL AC VOLTAGE RATING. SEE TABULATION BLOCK
 - 9 F1: VALUE DEPENDS ON MODEL AC VOLTAGE RATING. SEE TABULATION BLOCK
 - 8. ZENER TOLERANCE IS 5%
 - 7. SMT CAPACITOR VOLTAGE IS 50V
 - 6. SMT RESISTOR WATTAGE RATING IS 0.1W
 - 5. RESISTOR WATTAGE RATING IS 1/4W
FOR RESISTOR WATTAGE RATINGS GREATER THAN 1W, TOLERANCE IS 5%
FOR RESISTOR WATTAGE RATINGS LESS THAN 1/2W, TOLERANCE IS 1%
 - 4. THROUGH-HOLE FILM AND CERAMIC CAPACITOR TOLERANCE IS 10%, VOLTAGE IS 100V
 - 3. ELECTROLYTIC CAPACITOR TOLERANCE IS 20%
 - 2. COMPONENTS WITH VALUE PREFIXED WITH A "*" REPRESENT SMT COMPONENTS.
 - 1. THIS DRAWING USED IN CONJUNCTION WITH ASSEMBLY WP-000369-XX AND PC-000169-00.
- NOTES: UNLESS OTHERWISE SPECIFIED

TABULATION BLOCK		
DASH NO.	F1	R36, 37, 42, 45
-00 (120V)	25A, 125V	487K
-01 (100V)	30A, 125V	392K
-02 (230V)	15A, 250V	487K

QTY	ITEM NO.	PART NO.	DESCRIPTION	VENDOR
PARTS LIST				
UNLESS OTHERWISE SPECIFIED DIMENSIONS ARE IN INCHES. DIMENSIONS PER ANSI Y14.5-1982 TOLERANCES ARE: DECIMALS DECIMALS ANGLES .XX ± .XXX ± ° DEBURR EDGES .XXX R MAX MATERIAL		CONTRACT NO.		QSC AUDIO PRODUCTS, INC. COSTA MESA, CALIFORNIA
APPROVALS		DATE		
DRAWN PAT QUILTER		9-29-99	SCHEMATIC DIAGRAM CX108V	
CHECKED L. Truong		6-26-03		
FINISH		ISSUED	SIZE	FSCM NO.
DO NOT SCALE DRAWING		CAD SEED FILE NO.	D	
		PLOT DATE: Wed Sep 10, 2003	SCALE	NONE
			CAD FILE NO.	SH0369B.SCH
			DWG NO.	SH-000369-00
			REV	B
			SHEET	1 OF 7
			F:\DM\SH\SH000369\CUR_REV	

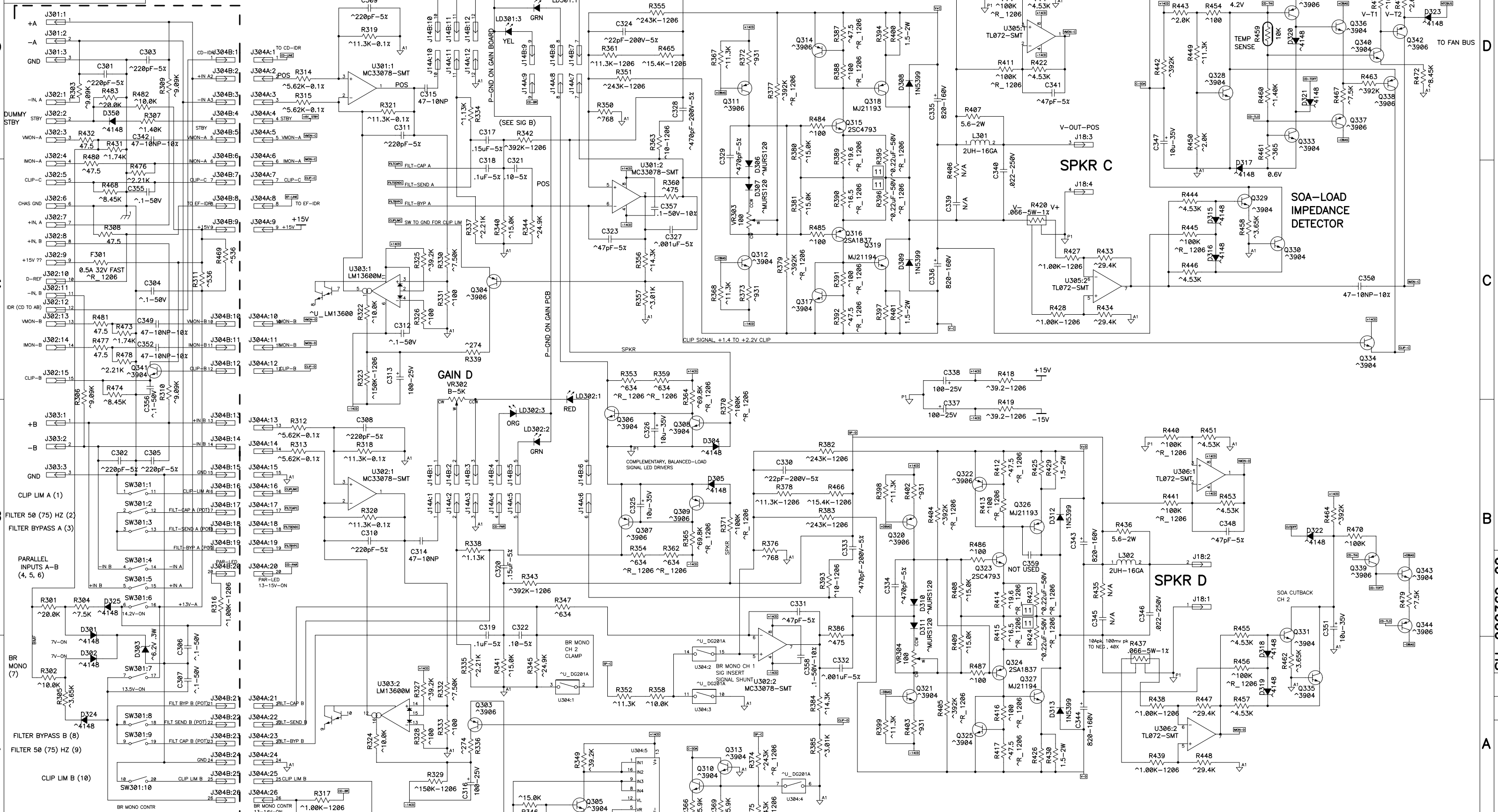
REV 1 SH-000369-00 DWG NO.

THIS DOCUMENT CONTAINS PROPRIETARY INFORMATION WHICH IS THE PROPERTY OF QSC AUDIO PRODUCTS, THAT MAY NOT BE DISCLOSED, REPRODUCED OR USED WITHOUT EXPRESS WRITTEN CONSENT FROM QSC AUDIO PRODUCTS.



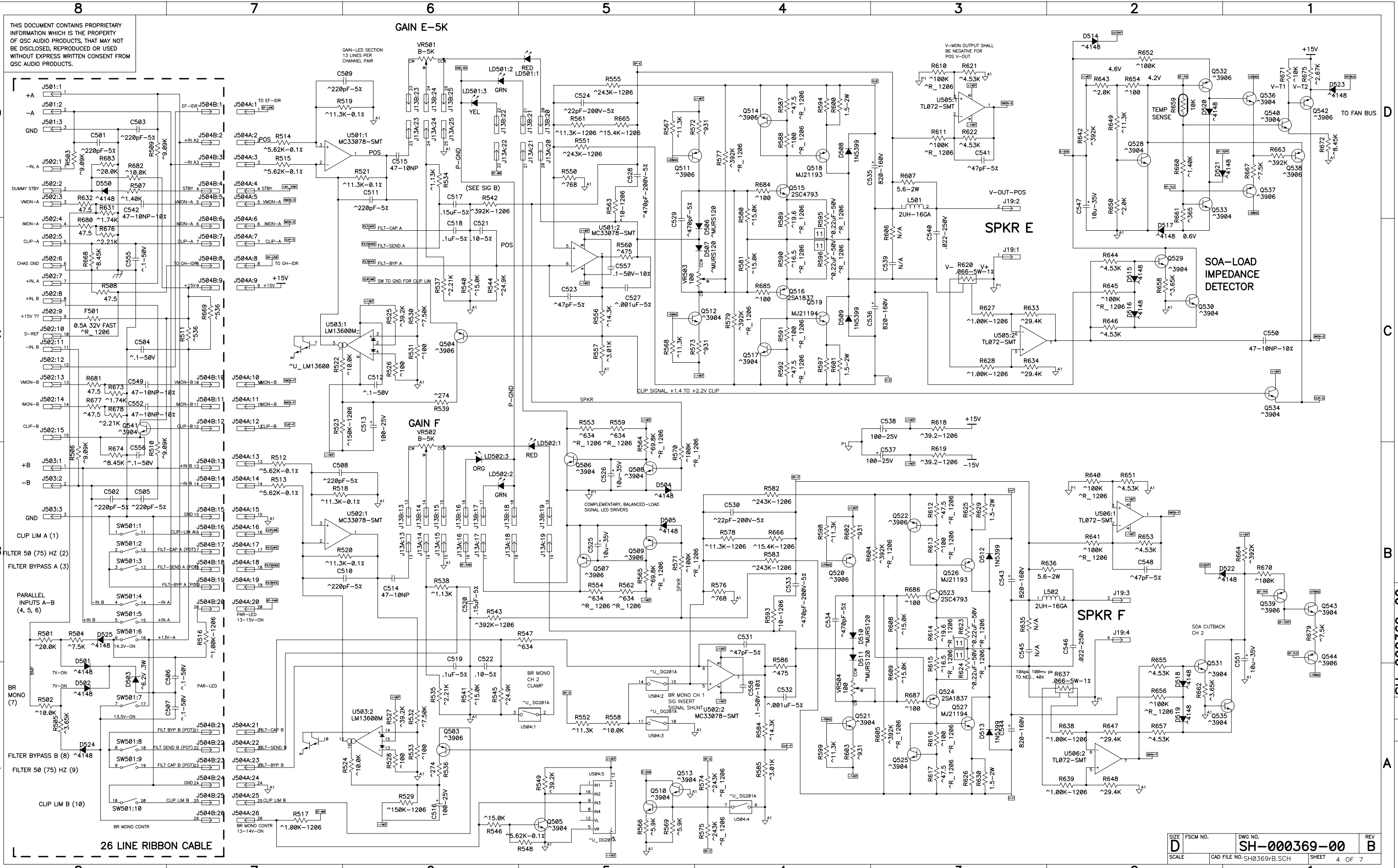
26 LINE RIBBON CABLE

THIS DOCUMENT CONTAINS PROPRIETARY INFORMATION WHICH IS THE PROPERTY OF QSC AUDIO PRODUCTS, THAT MAY NOT BE DISCLOSED, REPRODUCED OR USED WITHOUT EXPRESS WRITTEN CONSENT FROM QSC AUDIO PRODUCTS.

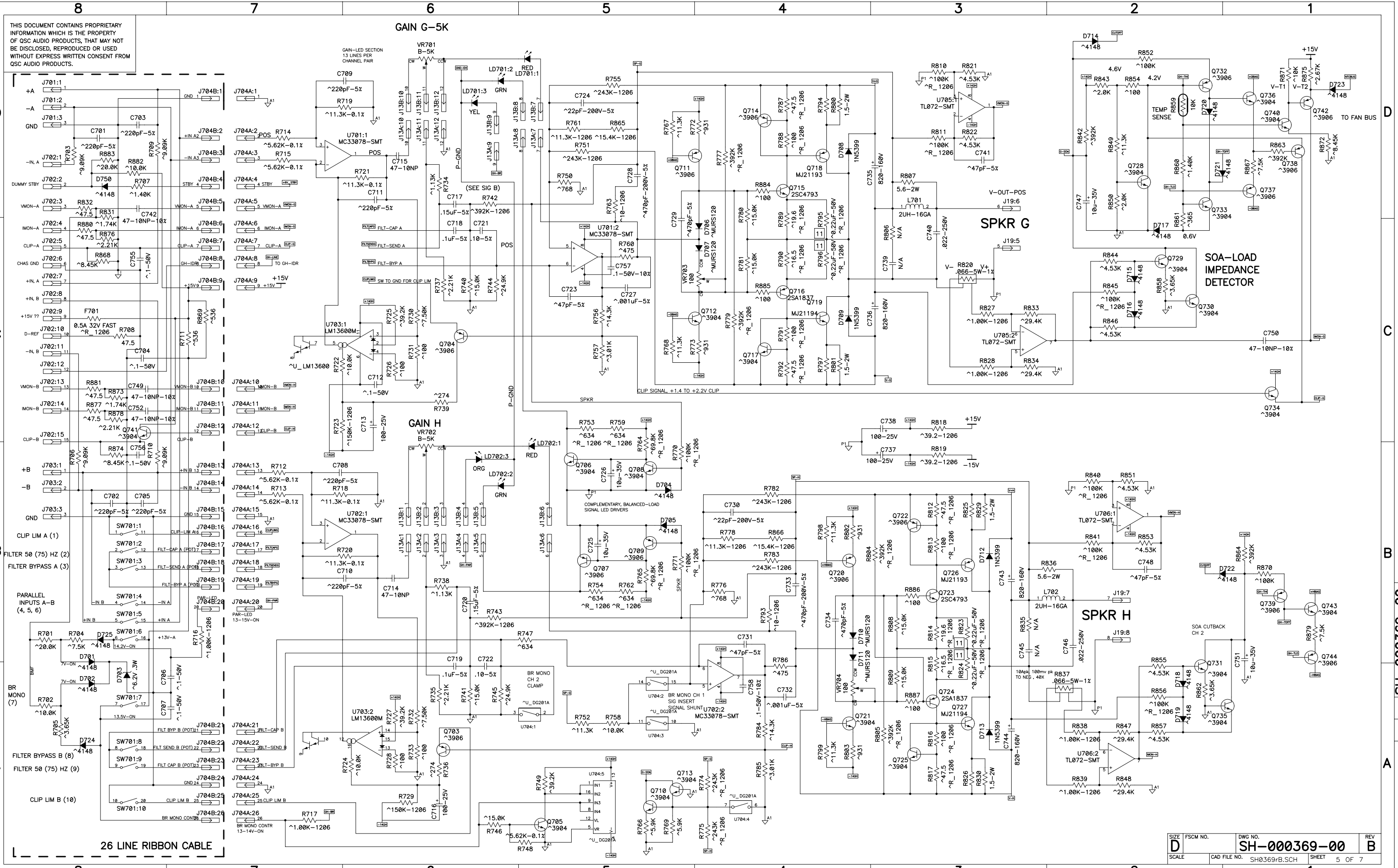


26 LINE RIBBON CABLE

THIS DOCUMENT CONTAINS PROPRIETARY INFORMATION WHICH IS THE PROPERTY OF QSC AUDIO PRODUCTS, THAT MAY NOT BE DISCLOSED, REPRODUCED OR USED WITHOUT EXPRESS WRITTEN CONSENT FROM QSC AUDIO PRODUCTS.

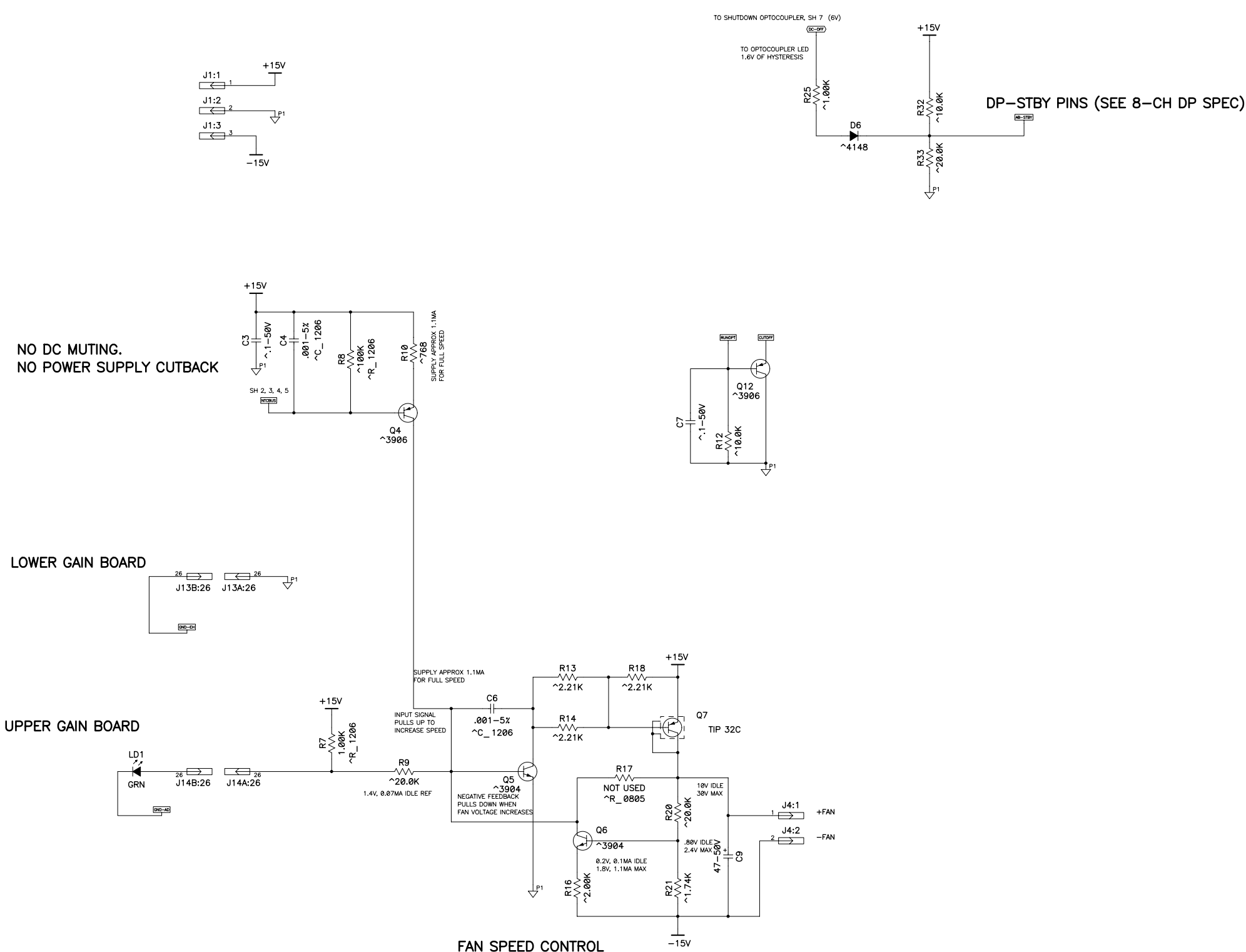


THIS DOCUMENT CONTAINS PROPRIETARY INFORMATION WHICH IS THE PROPERTY OF QSC AUDIO PRODUCTS, THAT MAY NOT BE DISCLOSED, REPRODUCED OR USED WITHOUT EXPRESS WRITTEN CONSENT FROM QSC AUDIO PRODUCTS.



26 LINE RIBBON CABLE

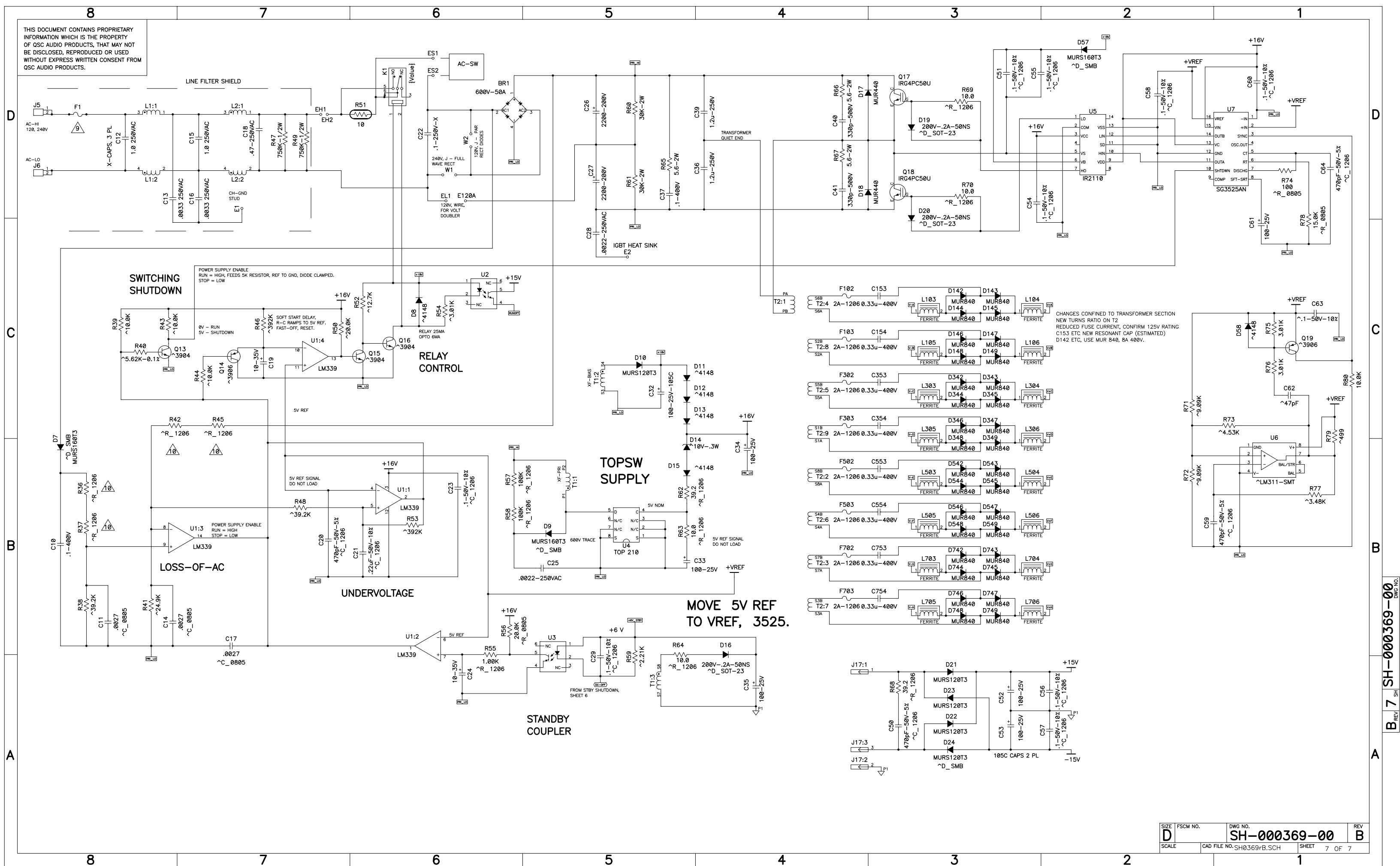
THIS DOCUMENT CONTAINS PROPRIETARY INFORMATION WHICH IS THE PROPERTY OF QSC AUDIO PRODUCTS, THAT MAY NOT BE DISCLOSED, REPRODUCED OR USED WITHOUT EXPRESS WRITTEN CONSENT FROM QSC AUDIO PRODUCTS.



SIZE	FSCM NO.	DWG NO.	REV
D		SH-000369-00	B
SCALE	CAD FILE NO. SH0369rB.SCH	SHEET	6 OF 7

REV 6 SH-000369-00 DWG NO.

THIS DOCUMENT CONTAINS PROPRIETARY INFORMATION WHICH IS THE PROPERTY OF QSC AUDIO PRODUCTS, THAT MAY NOT BE DISCLOSED, REPRODUCED OR USED WITHOUT EXPRESS WRITTEN CONSENT FROM QSC AUDIO PRODUCTS.



CHANGES CONFINED TO TRANSFORMER SECTION
 NEW TURNS RATIO ON T2
 REDUCED FUSE CURRENT, CONFIRM 125V RATING
 C153 ETC NEW RESONANT CAP (ESTIMATED)
 D142 ETC, USE MUR 840, BA 400V.

MOVE 5V REF
 TO VREF, 3525.