


THIS DOCUMENT CONTAINS PROPRIETARY INFORMATION WHICH IS THE PROPERTY OF QSC AUDIO PRODUCTS, THAT MAY NOT BE DISCLOSED, REPRODUCED OR USED WITHOUT EXPRESS WRITTEN CONSENT FROM QSC AUDIO PRODUCTS.

| REVISION |   |           |     |                 |
|----------|---|-----------|-----|-----------------|
| REV      | DESCRIPTION                             | EFF. DATE | CHK | APPROVED / DATE |
| A        | PRODUCTION RELEASE PER ECO 4753 AA      | 11-09-01  |     | DD              |
| B        | PRODUCTION RELEASE 100V PER ECO 5211 AA | 04-26-02  |     | DD              |
| C        | REVISED PER ECO 5327 MP                 | 6-14-02   |     |                 |
|          |   |           |     |                 |

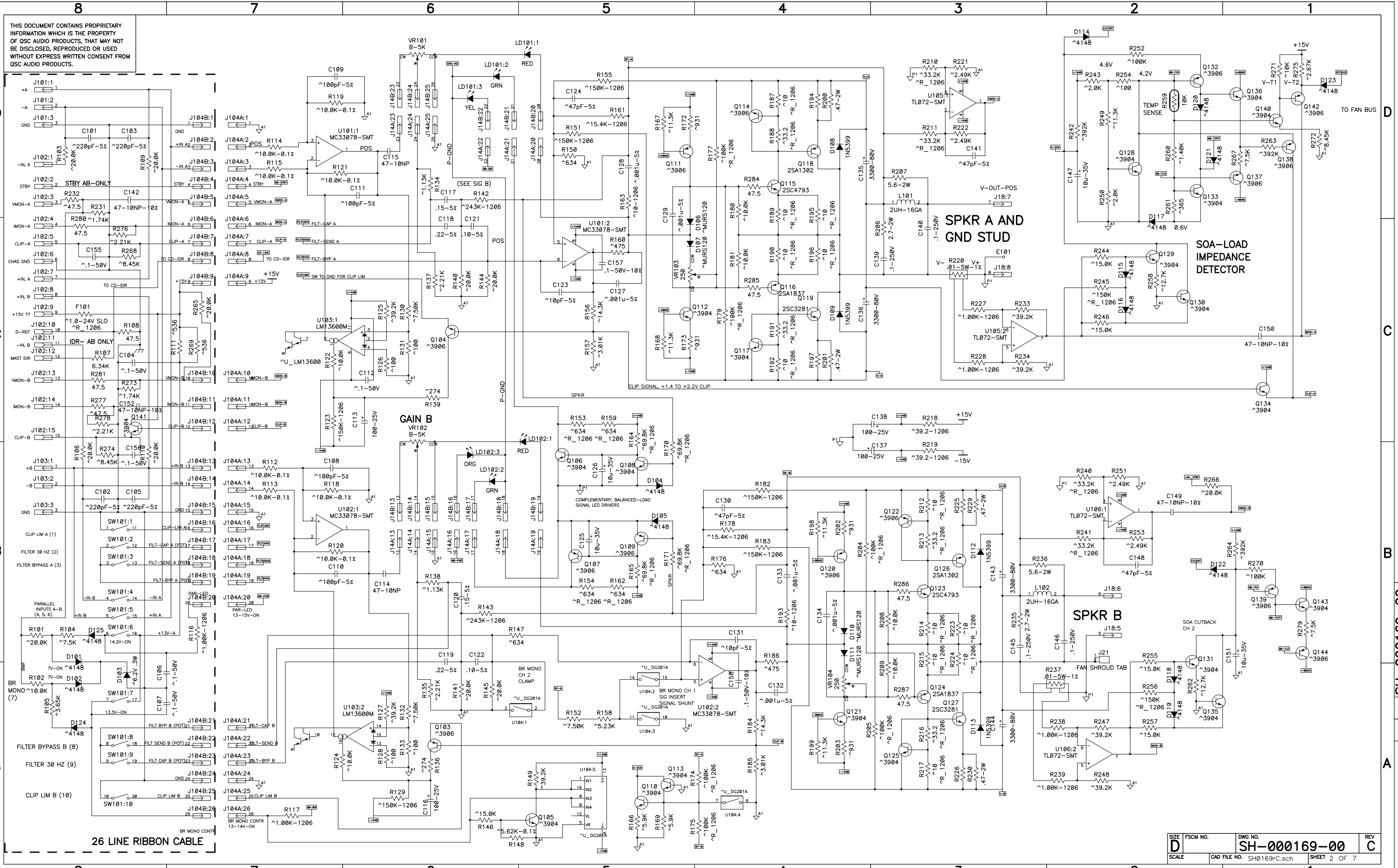
- 8. ZENER TOLERANCE IS 5%
  - 7. SMT CAPACITOR VOLTAGE IS 50V
  - 6. SMT RESISTOR WATTAGE RATING IS 0.1W
  - 5. RESISTOR WATTAGE RATING IS 1/4W  
FOR RESISTOR WATTAGE RATINGS GREATER THAN 1W, TOLERANCE IS 5%  
FOR RESISTOR WATTAGE RATINGS LESS THAN 1/2W, TOLERANCE IS 1%
  - 4. THROUGH-HOLE FILM AND CERAMIC CAPACITOR TOLERANCE IS 10%, VOLTAGE IS 100V
  - 3. ELECTROLYTIC CAPACITOR TOLERANCE IS 20%
  - 2. COMPONENTS WITH VALUE PREFIXED WITH A "\*" REPRESENT SMT COMPONENTS.
  - 1. THIS DRAWING USED IN CONJUNCTION WITH ASSEMBLY WP-000169-XX AND PC-000169-00.
- NOTES: UNLESS OTHERWISE SPECIFIED

| TABULATION BLOCK |           |               |
|------------------|-----------|---------------|
| DASH NO.         | F1        | R36, 37,42,45 |
| -00 (120V)       | 25A, 125V | 487K          |
| -01 (100V)       | 30A, 125V | 392K          |
| -02 (230V)       | 15A, 250V | 487K          |

| QTY   | ITEM NO. | PART NO.     | DESCRIPTION          | VENDOR  |
|---|----------|--------------|----------------------|---|
| PARTS LIST  |          |              |                      |   |
| UNLESS OTHERWISE SPECIFIED<br>DIMENSIONS ARE IN INCHES.<br>DIMENSIONS PER ANSI Y14.5-1982<br>TOLERANCES ARE:<br>DECIMALS    DECIMALS    ANGLES<br>.XX ±        .XXX ±        °<br>DEBURR EDGES .XXX R MAX<br>MATERIAL |          |              | CONTRACT NO.         |  <b>AUDIO PRODUCTS, INC.</b><br>COSTA MESA, CALIFORNIA |
| FINISH  |          |              | APPROVALS    DATE    |   |
| WP-000169-XX  | CX168    |              | DRAWN<br>PAT QUILTER | 9-29-99   |
| NEXT ASSY   | USED ON  |              | CHECKED              |   |
| APPLICATION   |          |              | ISSUED               |   |
| DO NOT SCALE DRAWING  |          |              | CAD SEED FILE NO.    | PLOT DATE:<br>Fri Jul 26, 2002  |
|   |          | SCALE NONE   |                      | CAD FILE NO. SH0169rC.sch   |
|   |          | SIZE D       |                      | FSCM NO.  |
|   |          | DWG NO.      |                      | SH-000169-00  |
|   |          | SHEET 1 OF 7 |                      | REV C   |

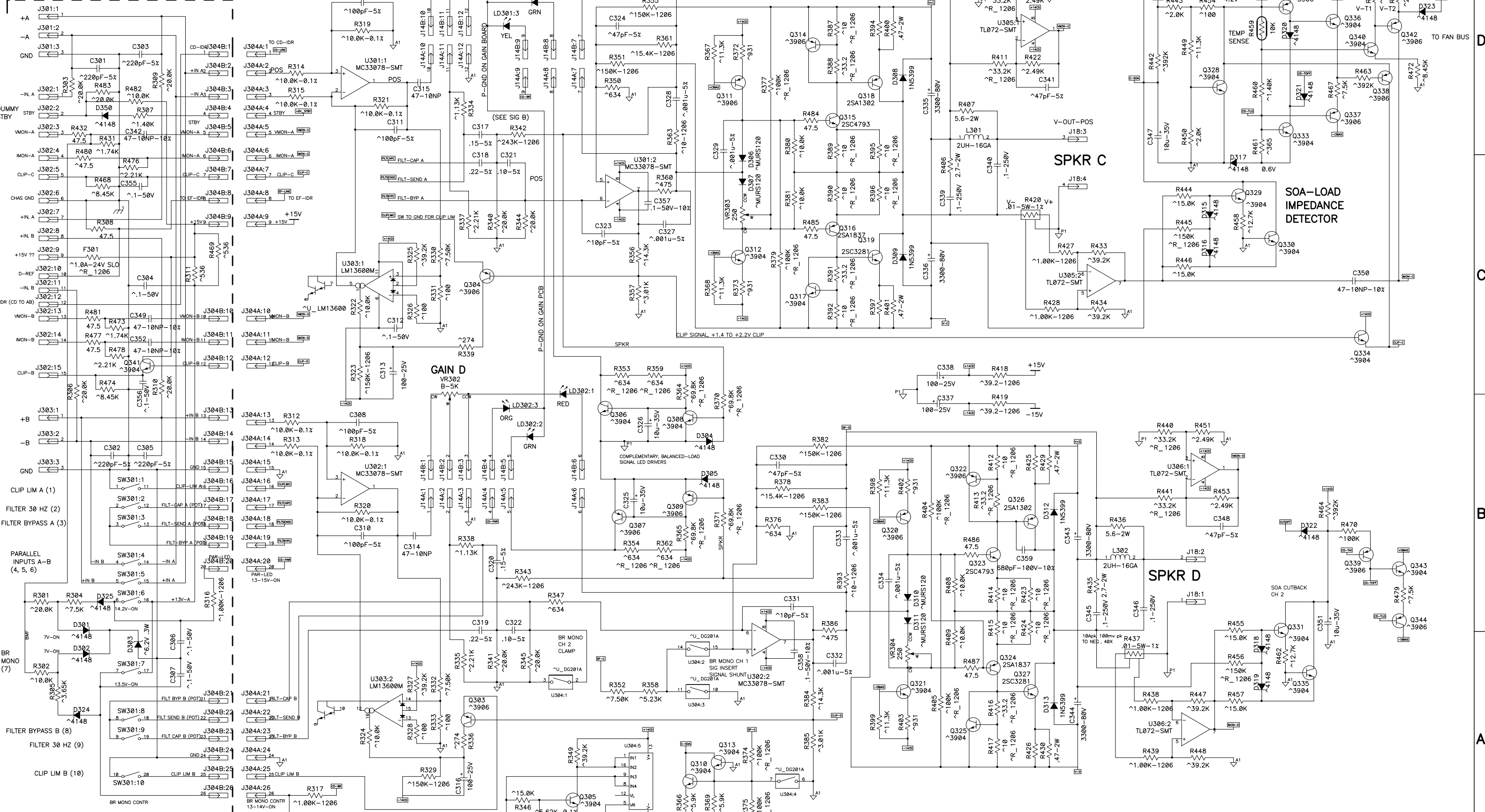
C REV 1 SH-000169-00 DWG NO.

THIS DOCUMENT CONTAINS PROPRIETARY INFORMATION WHICH IS THE PROPERTY OF QSC AUDIO PRODUCTS. THAT MAY NOT BE DISCLOSED, REPRODUCED OR USED WITHOUT EXPRESS WRITTEN CONSENT FROM QSC AUDIO PRODUCTS.



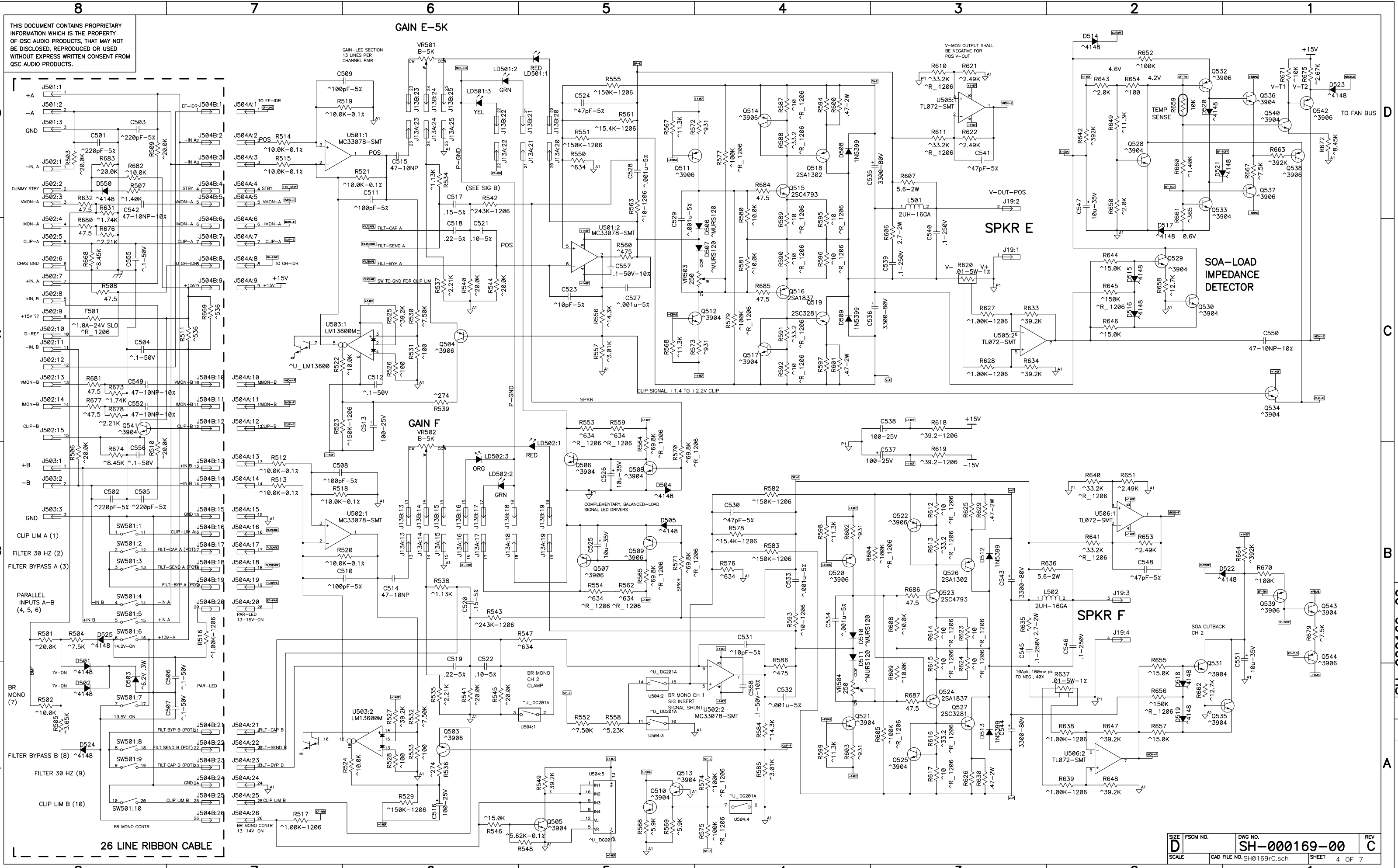
26 LINE RIBBON CABLE

THIS DOCUMENT CONTAINS PROPRIETARY INFORMATION WHICH IS THE PROPERTY OF QSC AUDIO PRODUCTS. THAT MAY NOT BE DISCLOSED, REPRODUCED OR USED WITHOUT EXPRESS WRITTEN CONSENT FROM QSC AUDIO PRODUCTS.



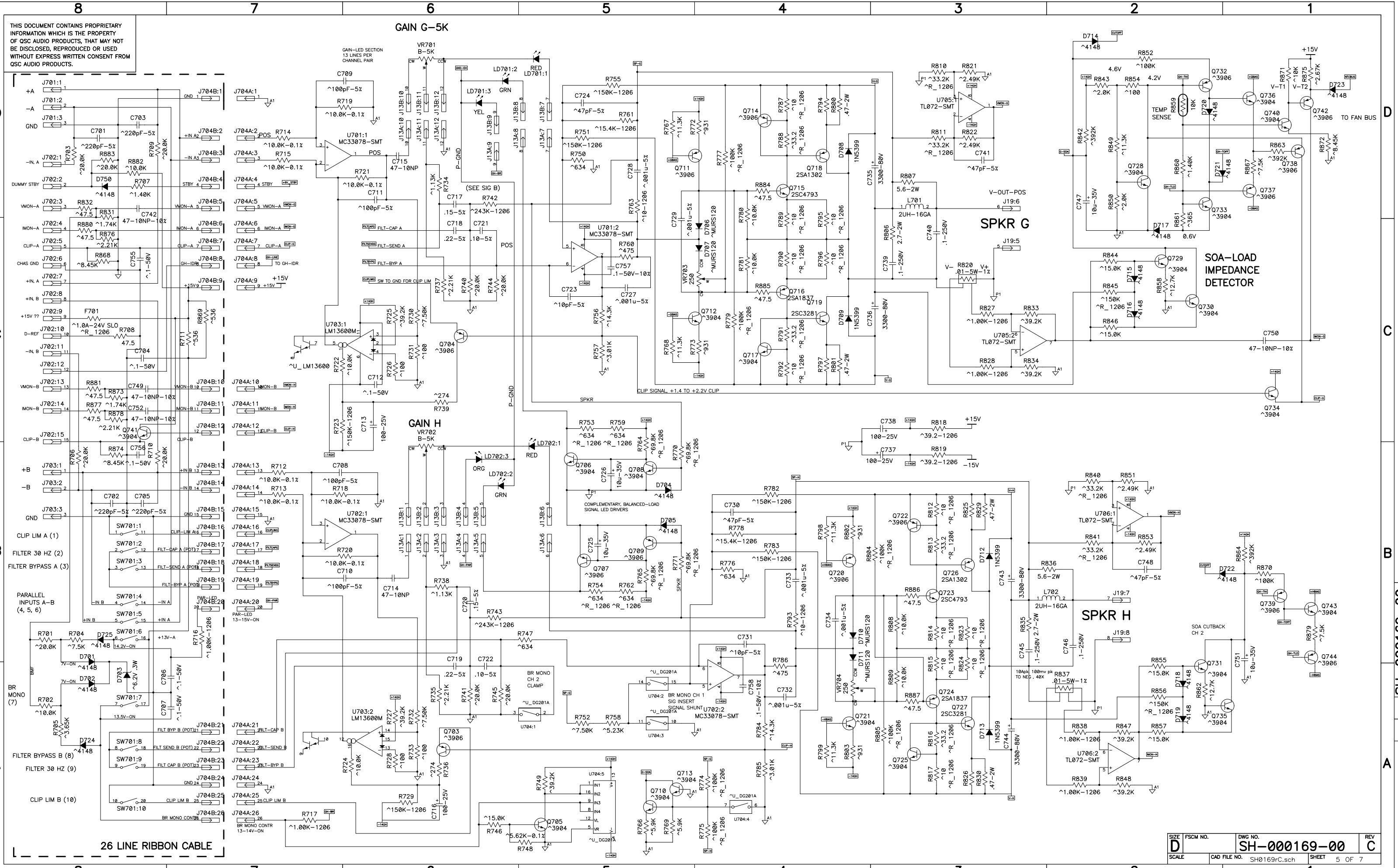
26 LINE RIBBON CABLE

THIS DOCUMENT CONTAINS PROPRIETARY INFORMATION WHICH IS THE PROPERTY OF QSC AUDIO PRODUCTS, THAT MAY NOT BE DISCLOSED, REPRODUCED OR USED WITHOUT EXPRESS WRITTEN CONSENT FROM QSC AUDIO PRODUCTS.

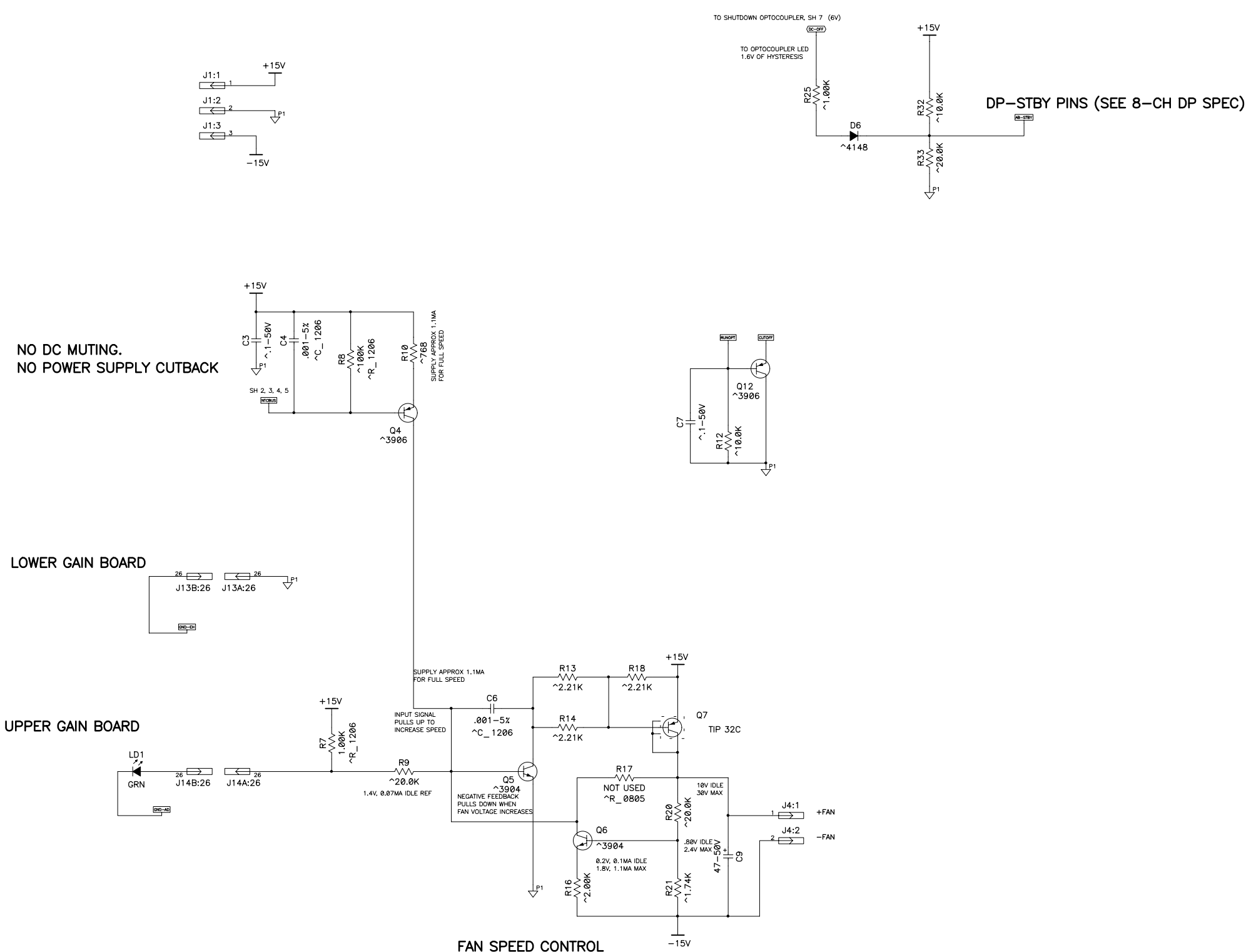


26 LINE RIBBON CABLE

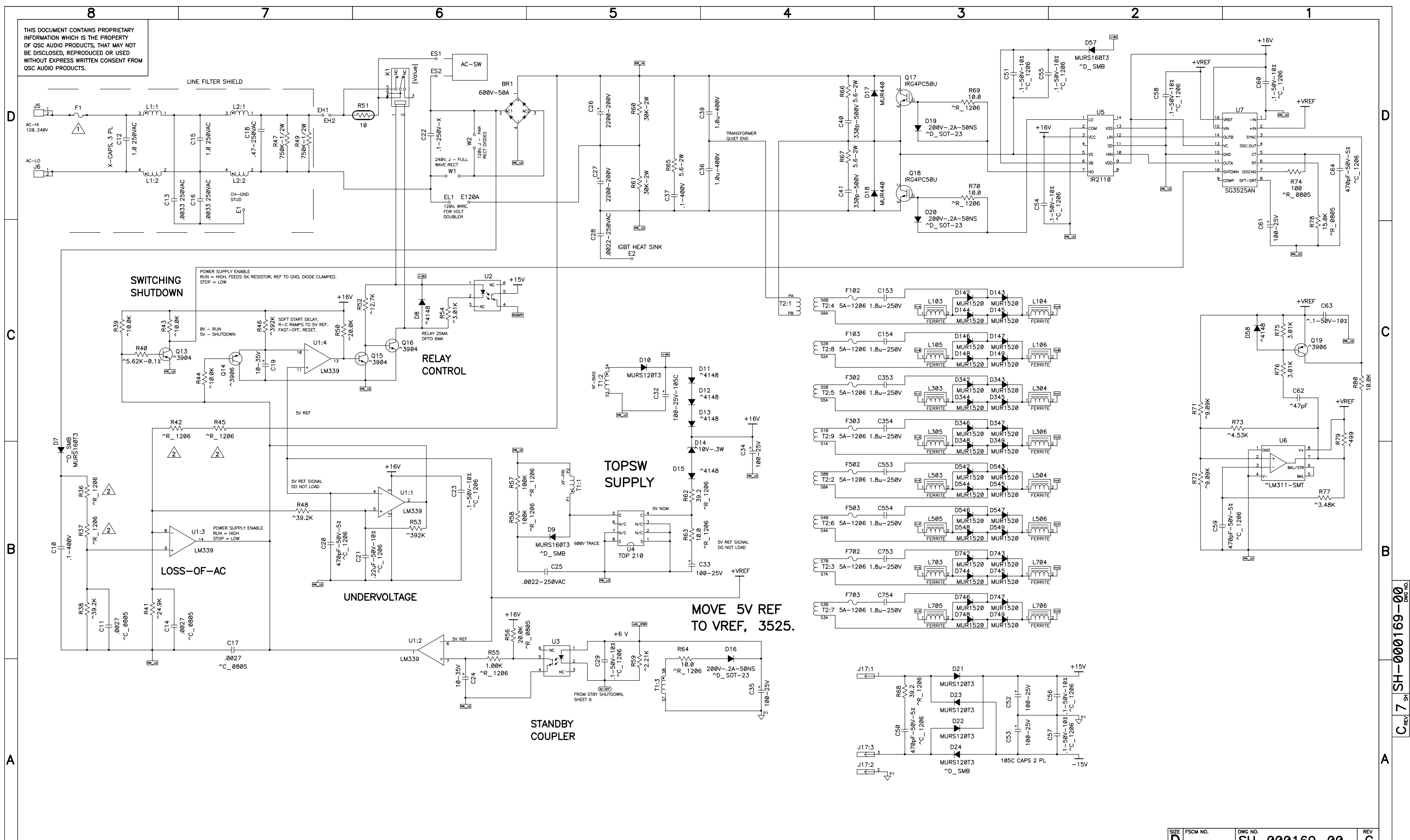
THIS DOCUMENT CONTAINS PROPRIETARY INFORMATION WHICH IS THE PROPERTY OF QSC AUDIO PRODUCTS, THAT MAY NOT BE DISCLOSED, REPRODUCED OR USED WITHOUT EXPRESS WRITTEN CONSENT FROM QSC AUDIO PRODUCTS.



THIS DOCUMENT CONTAINS PROPRIETARY INFORMATION WHICH IS THE PROPERTY OF QSC AUDIO PRODUCTS, THAT MAY NOT BE DISCLOSED, REPRODUCED OR USED WITHOUT EXPRESS WRITTEN CONSENT FROM QSC AUDIO PRODUCTS.



THIS DOCUMENT CONTAINS PROPRIETARY INFORMATION WHICH IS THE PROPERTY OF QSC AUDIO PRODUCTS, THAT MAY NOT BE DISCLOSED, REPRODUCED OR USED WITHOUT EXPRESS WRITTEN CONSENT FROM QSC AUDIO PRODUCTS.



AC-HI 120, 248V  
AC-LO

SWITCHING SHUTDOWN  
POWER SUPPLY ENABLE  
RUN = HIGH, FEEDS 5K RESISTOR, REF TO GND, DIODE CLAMPED.  
STOP = LOW

LOSS-OF-AC  
POWER SUPPLY ENABLE  
RUN = HIGH  
STOP = LOW

UNDERVOLTAGE  
5V REF SIGNAL  
DO NOT LOAD

STANDBY COUPLER  
FROM STEV SHUTDOWN SHEET 6

TOPSW SUPPLY  
NF-BIAS  
TOP 210

RELAY CONTROL  
RELAY 25MA OPTO 6MA

MOVE 5V REF TO VREF, 3525.


THIS DOCUMENT CONTAINS PROPRIETARY INFORMATION WHICH IS THE PROPERTY OF QSC AUDIO PRODUCTS, THAT MAY NOT BE DISCLOSED, REPRODUCED OR USED WITHOUT EXPRESS WRITTEN CONSENT FROM QSC AUDIO PRODUCTS.

| REVISION |   |           |     |                 |
|----------|---|-----------|-----|-----------------|
| REV      | DESCRIPTION                             | EFF. DATE | CHK | APPROVED / DATE |
| A        | PRODUCTION RELEASE PER ECO 4753 AA      | 11-09-01  |     | DD              |
| B        | PRODUCTION RELEASE 100V PER ECO 5211 AA | 04-26-02  |     | DD              |
| C        | REVISED PER ECO 5327 MP                 | 6-14-02   |     | DD              |
| D        | CANCEL                                  |           |     |                 |
| E        | REVISED PER ECO 5655 AA                 | 4-04-03   |     |                 |

- 8. ZENER TOLERANCE IS 5%
  - 7. SMT CAPACITOR VOLTAGE IS 50V
  - 6. SMT RESISTOR WATTAGE RATING IS 0.1W
  - 5. RESISTOR WATTAGE RATING IS 1/4W  
FOR RESISTOR WATTAGE RATINGS GREATER THAN 1W, TOLERANCE IS 5%  
FOR RESISTOR WATTAGE RATINGS LESS THAN 1/2W, TOLERANCE IS 1%
  - 4. THROUGH-HOLE FILM AND CERAMIC CAPACITOR TOLERANCE IS 10%, VOLTAGE IS 100V
  - 3. ELECTROLYTIC CAPACITOR TOLERANCE IS 20%
  - 2. COMPONENTS WITH VALUE PREFIXED WITH A "\*" REPRESENT SMT COMPONENTS.
  - 1. THIS DRAWING USED IN CONJUNCTION WITH ASSEMBLY WP-000169-XX AND PC-000169-00.
- NOTES: UNLESS OTHERWISE SPECIFIED

| TABULATION BLOCK |           |    |                  |
|------------------|-----------|----|------------------|
| DASH NO.         | F1        | △1 | R36, 37,42,45 △2 |
| -00 (120V)       | 25A, 125V |    | 487K             |
| -01 (100V)       | 30A, 125V |    | 392K             |
| -02 (230V)       | 15A, 250V |    | 487K             |

| QTY   | ITEM NO. | PART NO. | DESCRIPTION                        | VENDOR |
|---|----------|----------|------------------------------------|--------|
| <b>PARTS LIST</b>   |          |          |                                    |        |
| UNLESS OTHERWISE SPECIFIED<br>DIMENSIONS ARE IN INCHES.<br>DIMENSIONS PER ANSI Y14.5-1982<br>TOLERANCES ARE:<br>DECIMALS    DECIMALS    ANGLES<br>.XX ±        .XXX ±        °<br>DEBURR EDGES .XXX R MAX<br>MATERIAL |          |          | CONTRACT NO.                       |        |
| FINISH  |          |          | APPROVALS    DATE                  |        |
| DO NOT SCALE DRAWING  |          |          | DRAWN    PAT    QUILTER    9-29-99 |        |
|   |          |          | CHECKED                            |        |
|   |          |          | ISSUED                             |        |
|   |          |          | CAD SEED FILE NO.                  |        |
|   |          |          | PLOT DATE: Mon Jan 26, 2004        |        |
|   |          |          | SCALE NONE                         |        |
|   |          |          | CAD FILE NO. SH0169RE.SCH          |        |
|   |          |          | SHEET 1 OF 7                       |        |



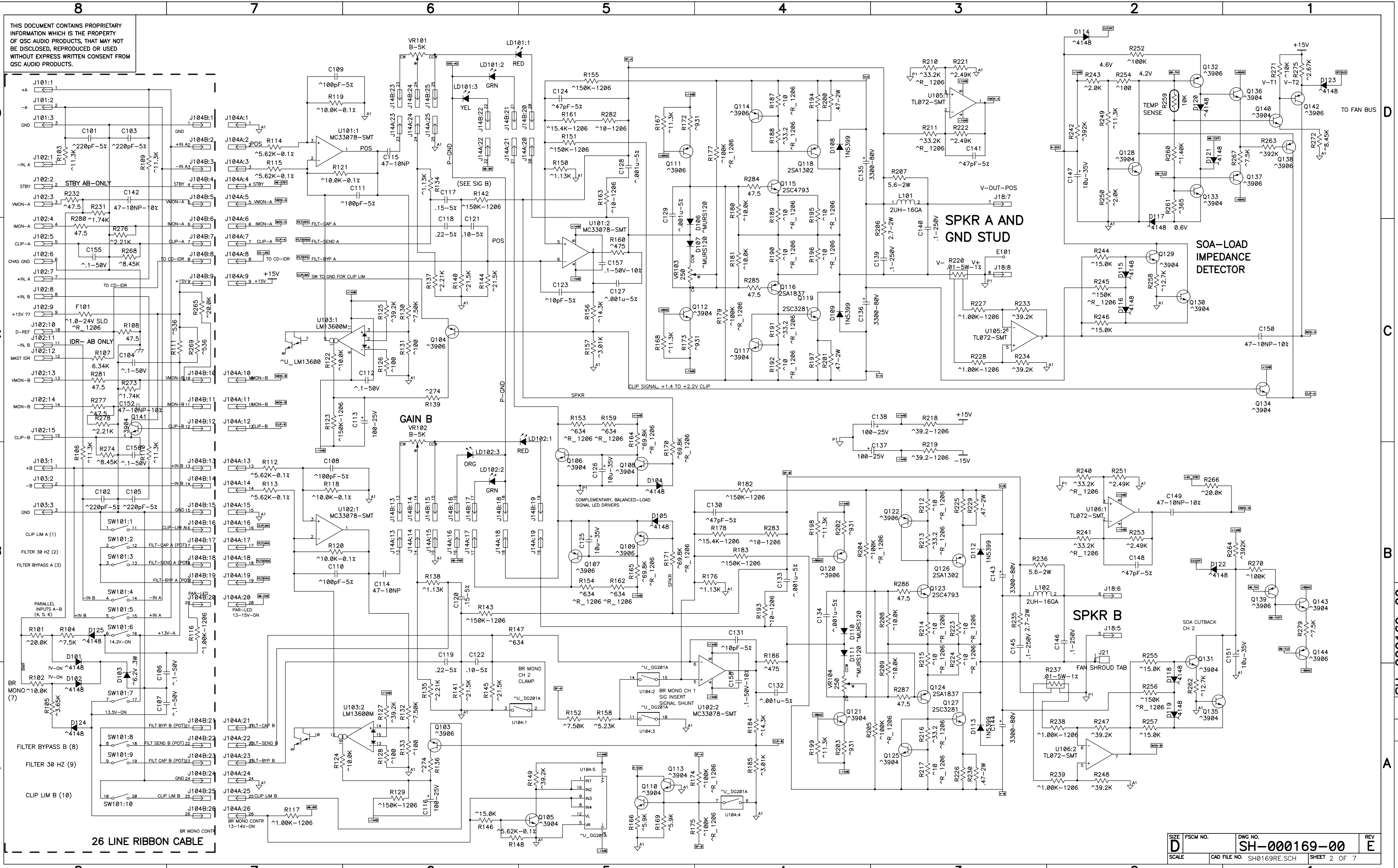
**SCHEMATIC, CX168  
PLC-8CH**

SIZE **D**    FSCM NO.    DWG NO. **SH-000169-00**    REV **E**

E 1 SH-000169-00 DWG NO.

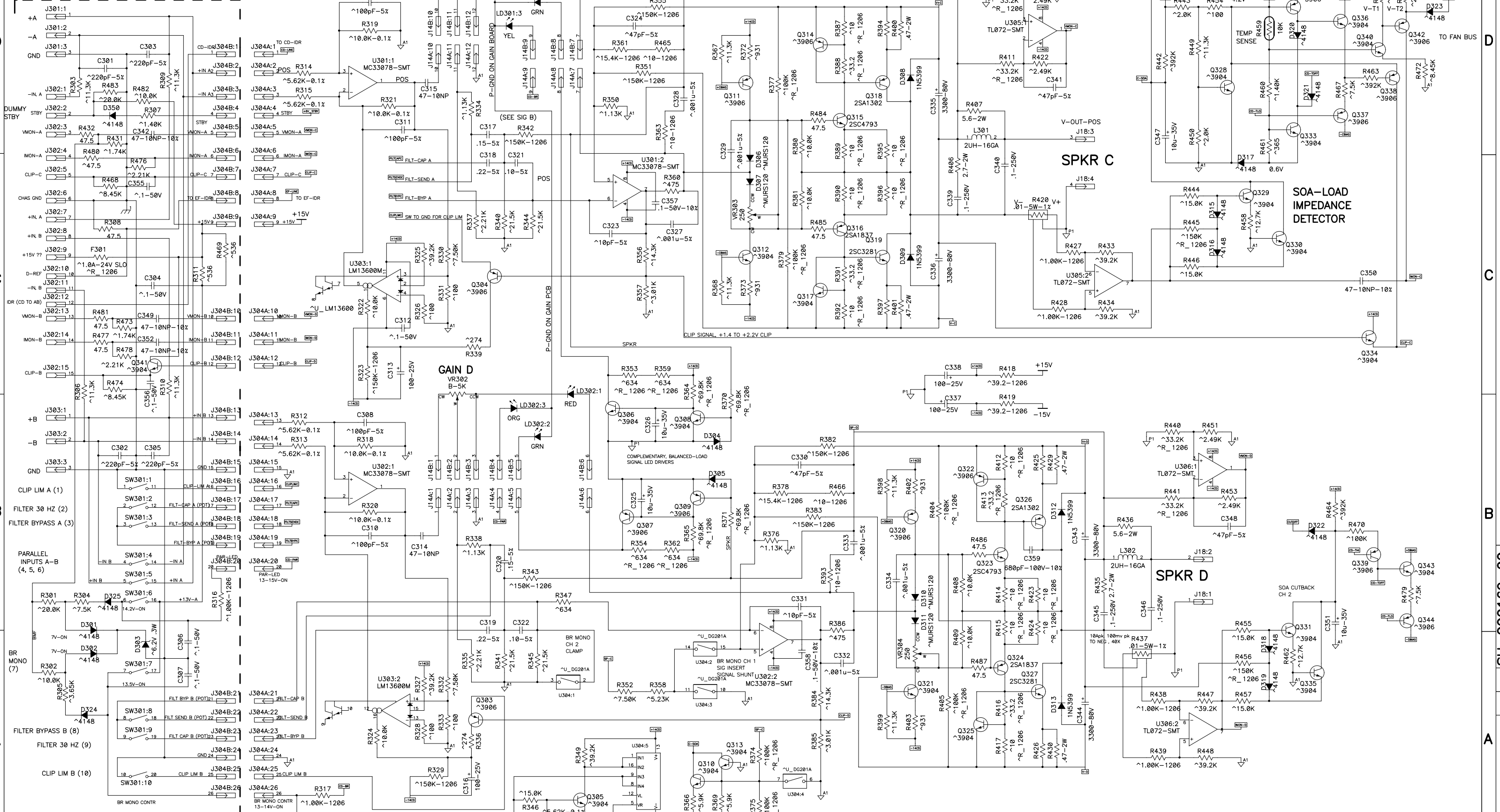


THIS DOCUMENT CONTAINS PROPRIETARY INFORMATION WHICH IS THE PROPERTY OF QSC AUDIO PRODUCTS. THAT MAY NOT BE DISCLOSED, REPRODUCED OR USED WITHOUT EXPRESS WRITTEN CONSENT FROM QSC AUDIO PRODUCTS.



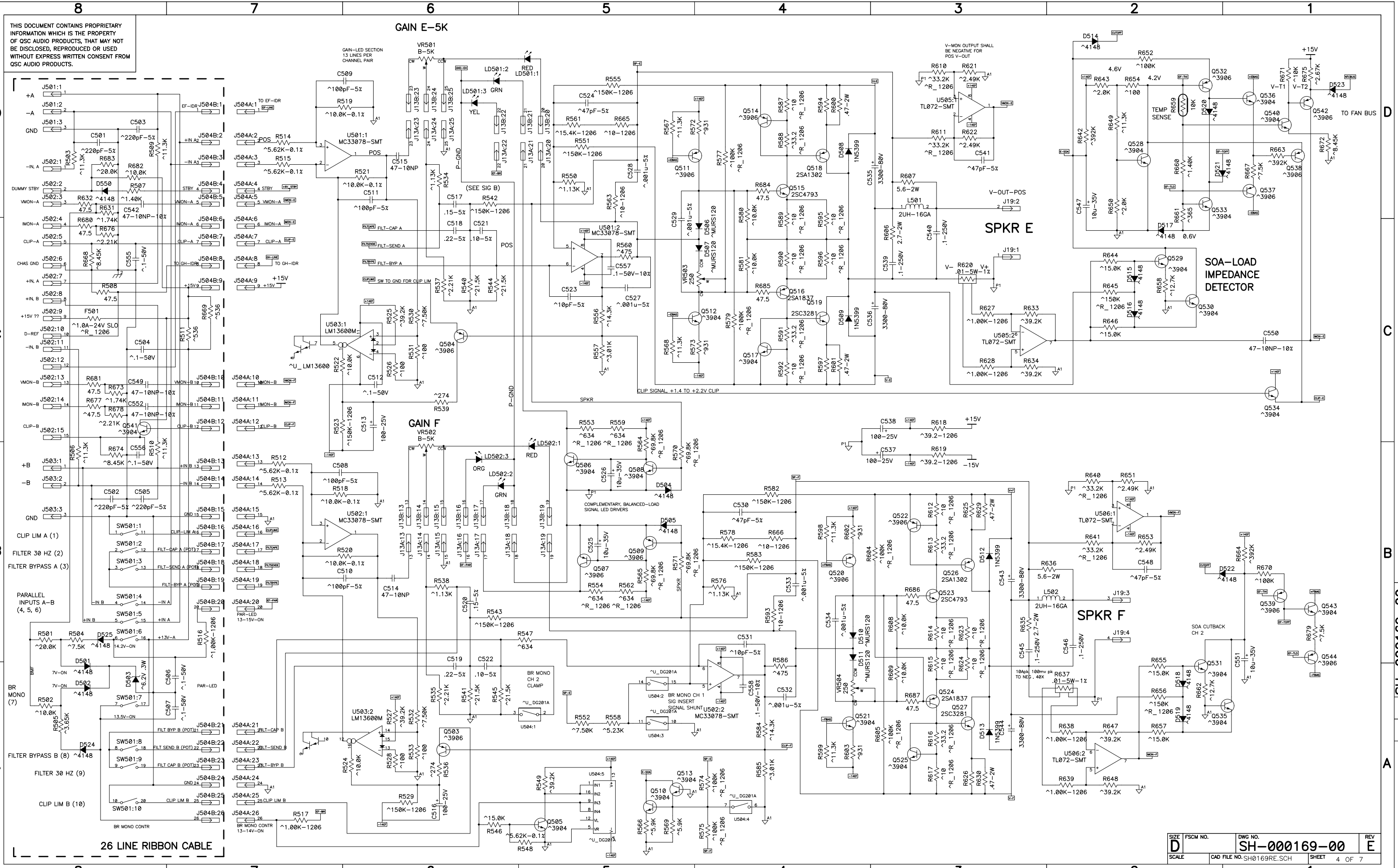
26 LINE RIBBON CABLE

THIS DOCUMENT CONTAINS PROPRIETARY INFORMATION WHICH IS THE PROPERTY OF QSC AUDIO PRODUCTS, THAT MAY NOT BE DISCLOSED, REPRODUCED OR USED WITHOUT EXPRESS WRITTEN CONSENT FROM QSC AUDIO PRODUCTS.



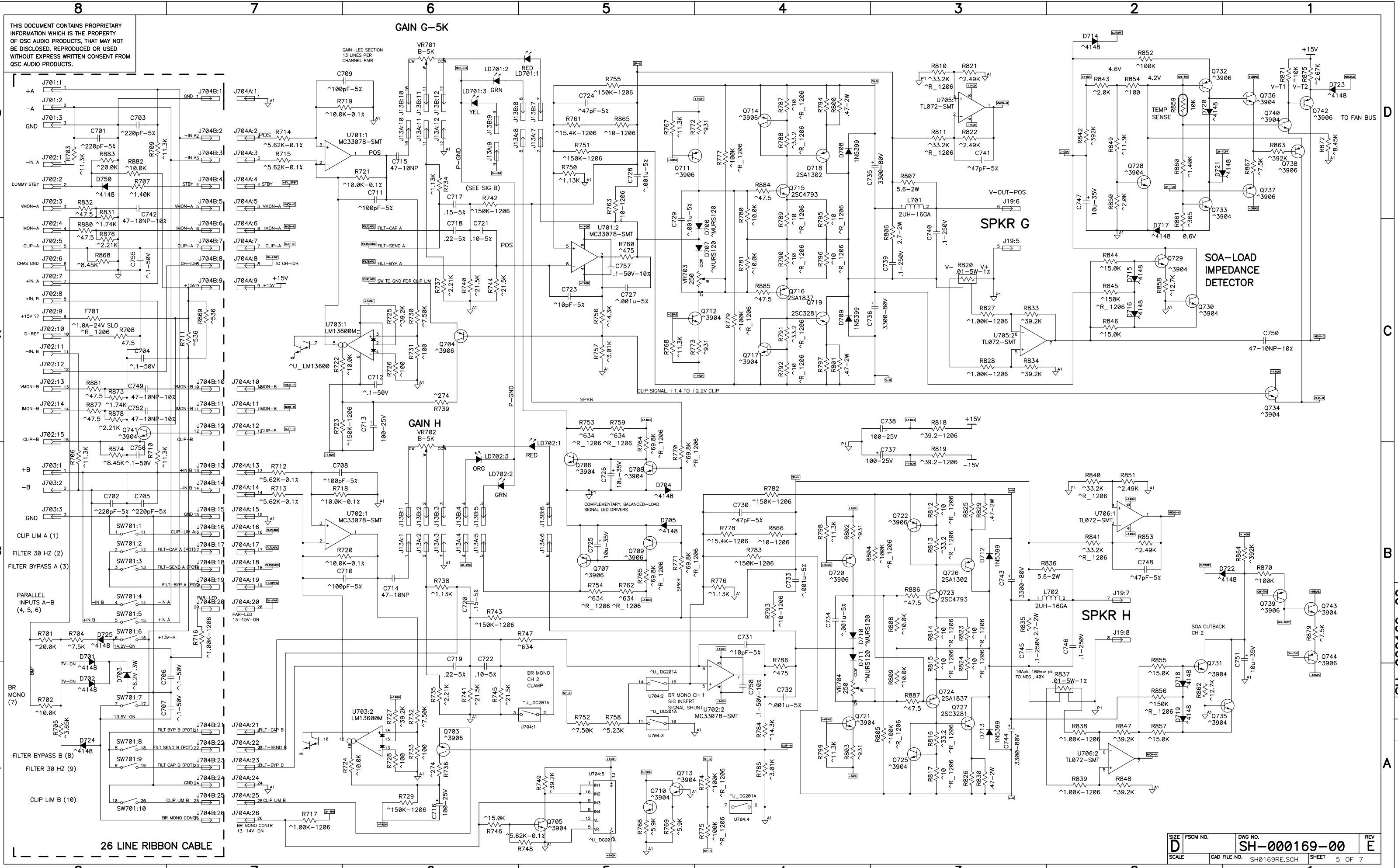
26 LINE RIBBON CABLE

THIS DOCUMENT CONTAINS PROPRIETARY INFORMATION WHICH IS THE PROPERTY OF QSC AUDIO PRODUCTS, THAT MAY NOT BE DISCLOSED, REPRODUCED OR USED WITHOUT EXPRESS WRITTEN CONSENT FROM QSC AUDIO PRODUCTS.

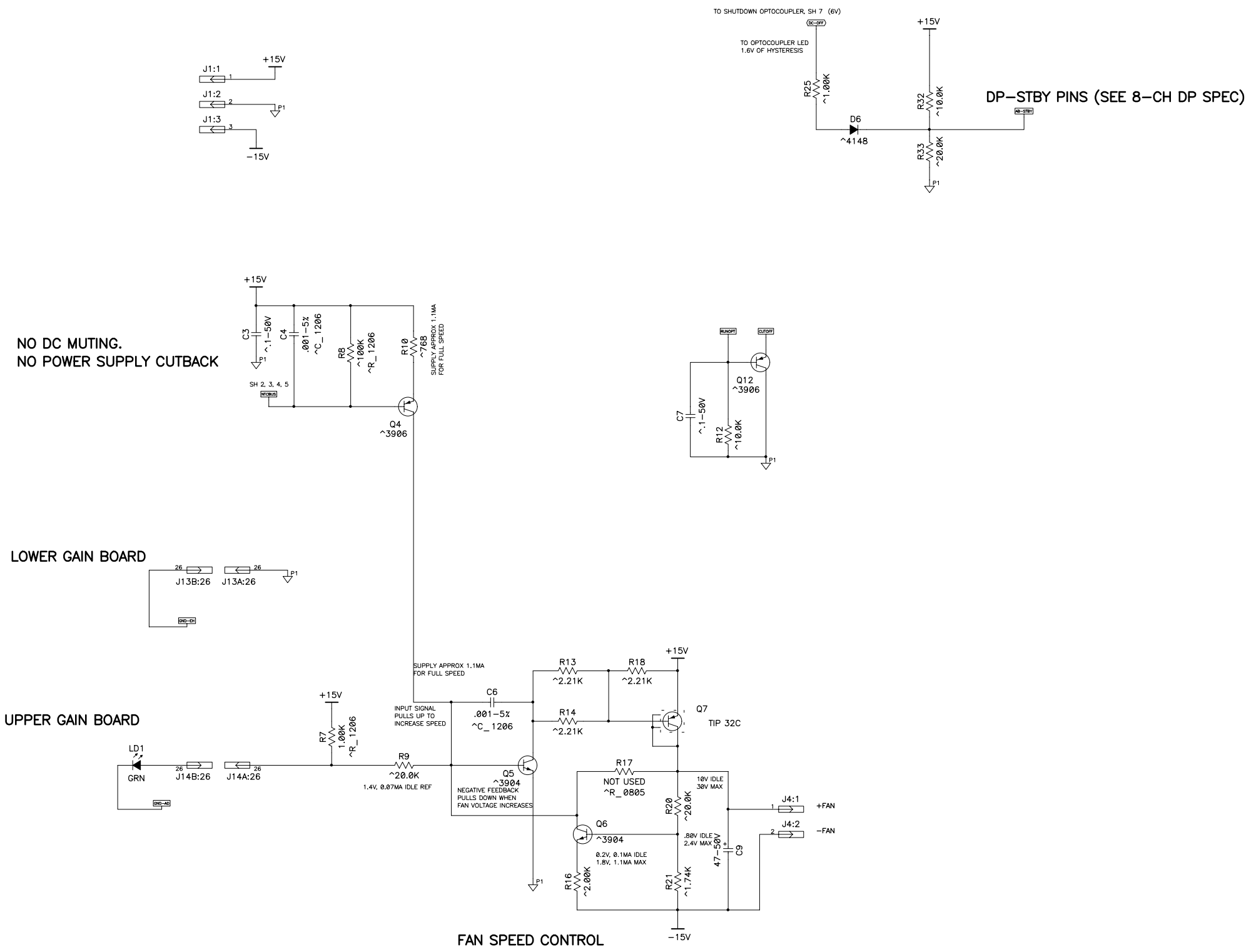


26 LINE RIBBON CABLE

THIS DOCUMENT CONTAINS PROPRIETARY INFORMATION WHICH IS THE PROPERTY OF QSC AUDIO PRODUCTS, THAT MAY NOT BE DISCLOSED, REPRODUCED OR USED WITHOUT EXPRESS WRITTEN CONSENT FROM QSC AUDIO PRODUCTS.



THIS DOCUMENT CONTAINS PROPRIETARY INFORMATION WHICH IS THE PROPERTY OF QSC AUDIO PRODUCTS, THAT MAY NOT BE DISCLOSED, REPRODUCED OR USED WITHOUT EXPRESS WRITTEN CONSENT FROM QSC AUDIO PRODUCTS.



|                  |                           |                                |                 |
|------------------|---------------------------|--------------------------------|-----------------|
| SIZE<br><b>D</b> | FSCM NO.                  | DWG NO.<br><b>SH-000169-00</b> | REV<br><b>E</b> |
| SCALE            | CAD FILE NO. SH0169RE.SCH | SHEET<br>6 OF 7                |                 |

E REV 6 SH SH-000169-00 DWG NO.

THIS DOCUMENT CONTAINS PROPRIETARY INFORMATION WHICH IS THE PROPERTY OF QSC AUDIO PRODUCTS, THAT MAY NOT BE DISCLOSED, REPRODUCED OR USED WITHOUT EXPRESS WRITTEN CONSENT FROM QSC AUDIO PRODUCTS.

