

This document and the data disclosed herein or herewith is not to be reproduced, used, or disclosed in whole or in part to anyone without the written permission of THAT Corporation.

| Rev | Description                     | Date    | Approved |
|-----|---------------------------------|---------|----------|
| A   | PRODUCTION RELEASE PER ECO 5344 | 6-28-02 |          |
|     |                                 |         |          |
|     |                                 |         |          |
|     |                                 |         |          |
|     |                                 |         |          |
|     |                                 |         |          |

**UNLESS OTHERWISE NOTED:**

- 1.0 All resistor values are expressed in Ohms.
- 1.1 All resistors are 1/4 Watt types with their tolerance and material coded into their value.

|                        |                |                 |
|------------------------|----------------|-----------------|
| VALUE                  | 1%, Metal Film | 5%, Carbon Film |
| 0 Ohm to 0.99 Ohms     | 0R to 0R976    | 0R to 0R91      |
| 1 Ohm to 99 Ohms       | 1R00 to 97R6   | 1R0 to 91R      |
| 100 Ohms to 999 Ohms   | 100R0 to 976R0 | 100R to 910R    |
| 1k Ohm to 9k9 Ohms     | 1k00 to 9k76   | 1k0 to 9k1      |
| 10k Ohms to 99k Ohms   | 10k0 to 97k6   | 10k to 91k      |
| 100k Ohms to 999k Ohms | 100k0 to 976k0 | 100k to 910k    |
| 1M Ohm to 99M Ohms     | 1M00 to 97M6   | 1M0 to 91M      |

- 2. All resistor networks are 2%, 1/8 Watt types with their values expressed in Ohms.
- 3.0 All capacitor values are expressed in Farads
- 3.1 All 100n bypass capacitors are 20%, 50 Volt, Z5U, Ceramic Monolythic types.
- 3.2 All non-electrolytic capacitors are 10%, 50 Volt, X7R, Ceramic Monolythic types.
- 3.3 All NPO capacitors are 5%, 50 Volt, Ceramic Monolythic types.
- 3.4 All MY capacitors are 5%, 50 Volt, Metalized Polyester types.
- 3.5 All PP capacitors are 5%, 50 Volt, Metalized Polypropylene types.
- 3.6 All PC capacitors are 5%, 50 Volt, Metalized Polycarbonate types.
- 3.7 All electrolytic capacitors are 20%, 16 Volt (or higher), Aluminum Electrolyte types.
- 3.8 All TA capacitors are 20%, 16 Volt (or higher), Tantalum Electrolyte types.
- 4. For complete information on any component please see the associated bill of materials.
- 5. All net names preceded by a / are active low signals.

305-0200 305-0200.SCH



305-0300 305-0300.SCH



305-0400 305-0400.SCH



305-0500 305-0500.SCH

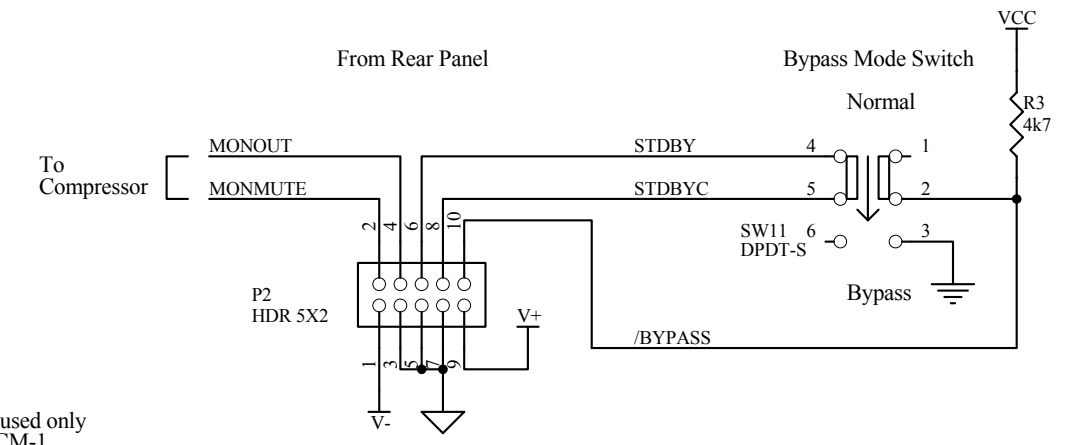
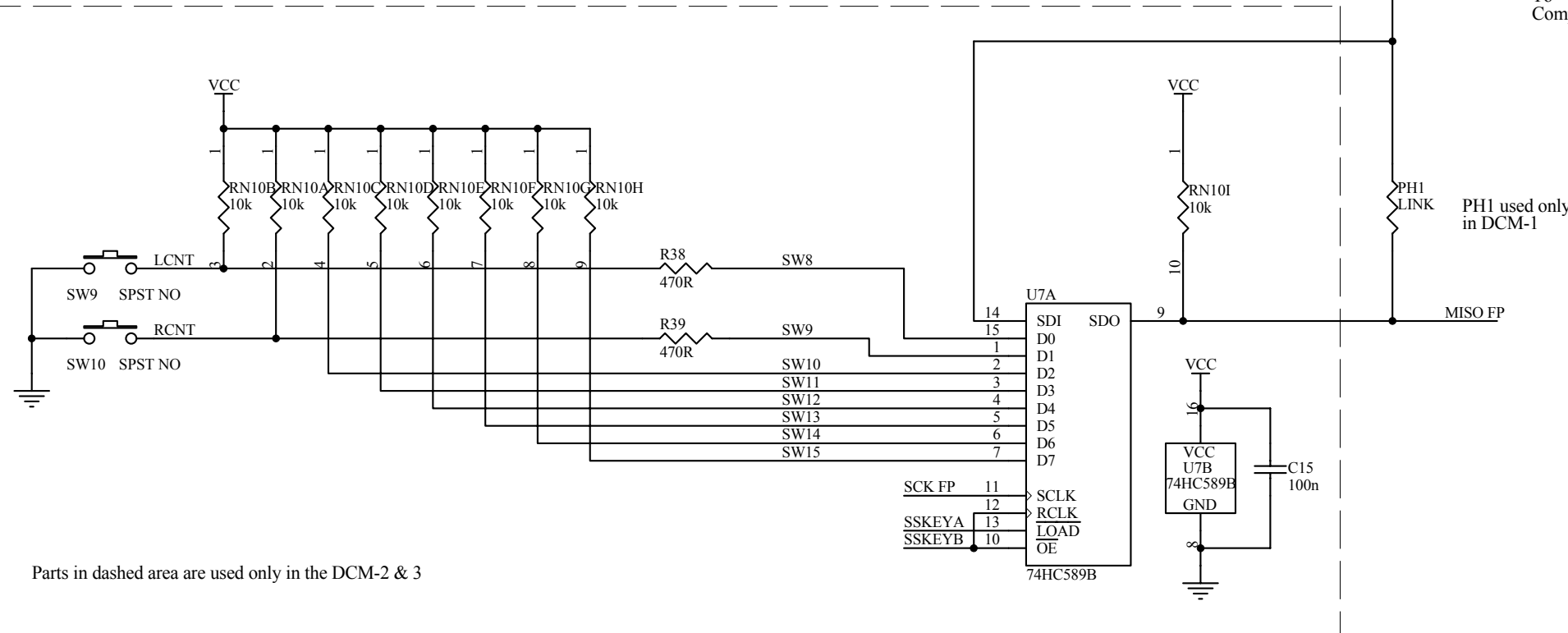
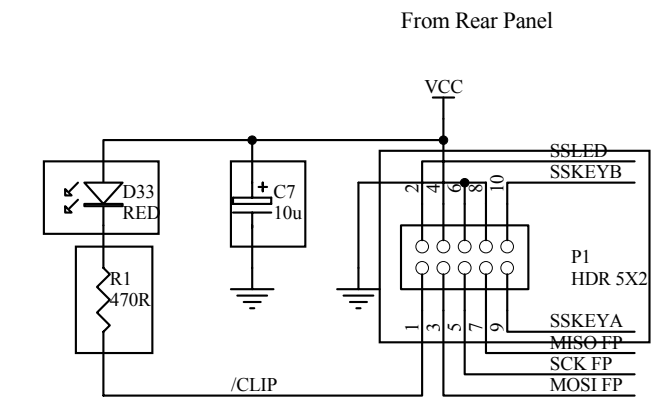
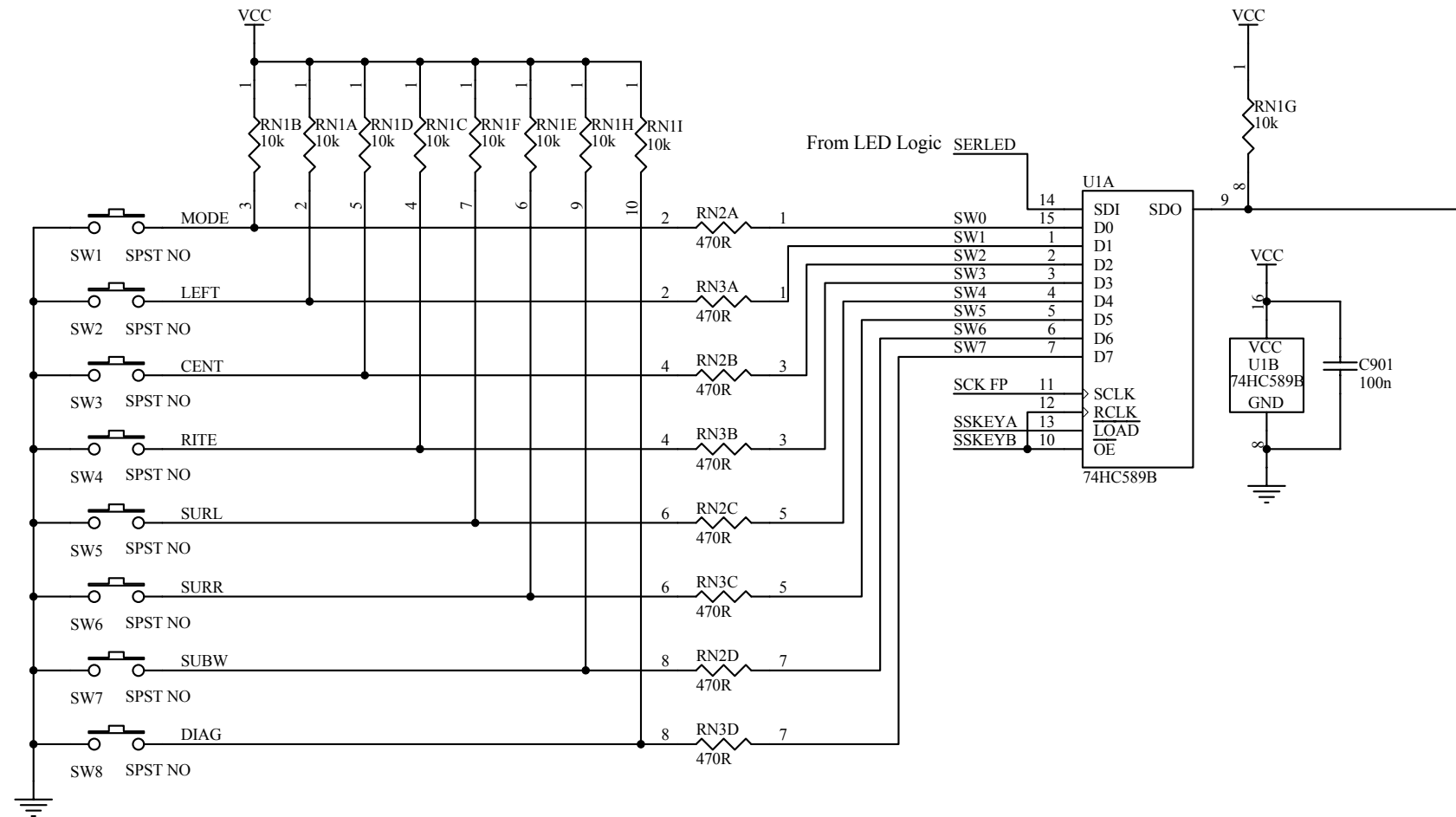


**THAT Corporation** 45 Sumner Street  
Milford, MA  
508-478-9200

|             |       |  |
|-------------|-------|--|
| Checked:    | Date: | Title: <b>QSC Digital Cinema Monitor<br/>DCM Front Panel &amp; Power Amp (For 1, 2 &amp; 3)</b>                            |
| Proj. Eng.: | Date: |  |
| Chf. Eng.:  | Date: | Size: <b>B</b> Drawing Number: <b>PC-000092-00</b> Revision: <b>A</b>  |
| Production: | Date: | Date: 28-Jun-2002 Drawn by: A. ARANDA Sheet 1 of 5<br>File: F:\DM\SH\SH000092\DEV_WORK\SH0092rA.DDB - Documents\SH0092rA.P |

This document and the data disclosed herein or herewith is not to be reproduced, used, or disclosed in whole or in part to anyone without the written permission of THAT Corporation.

| Rev | Description | Date | Approved |
|-----|-------------|------|----------|
|     |             |      |          |

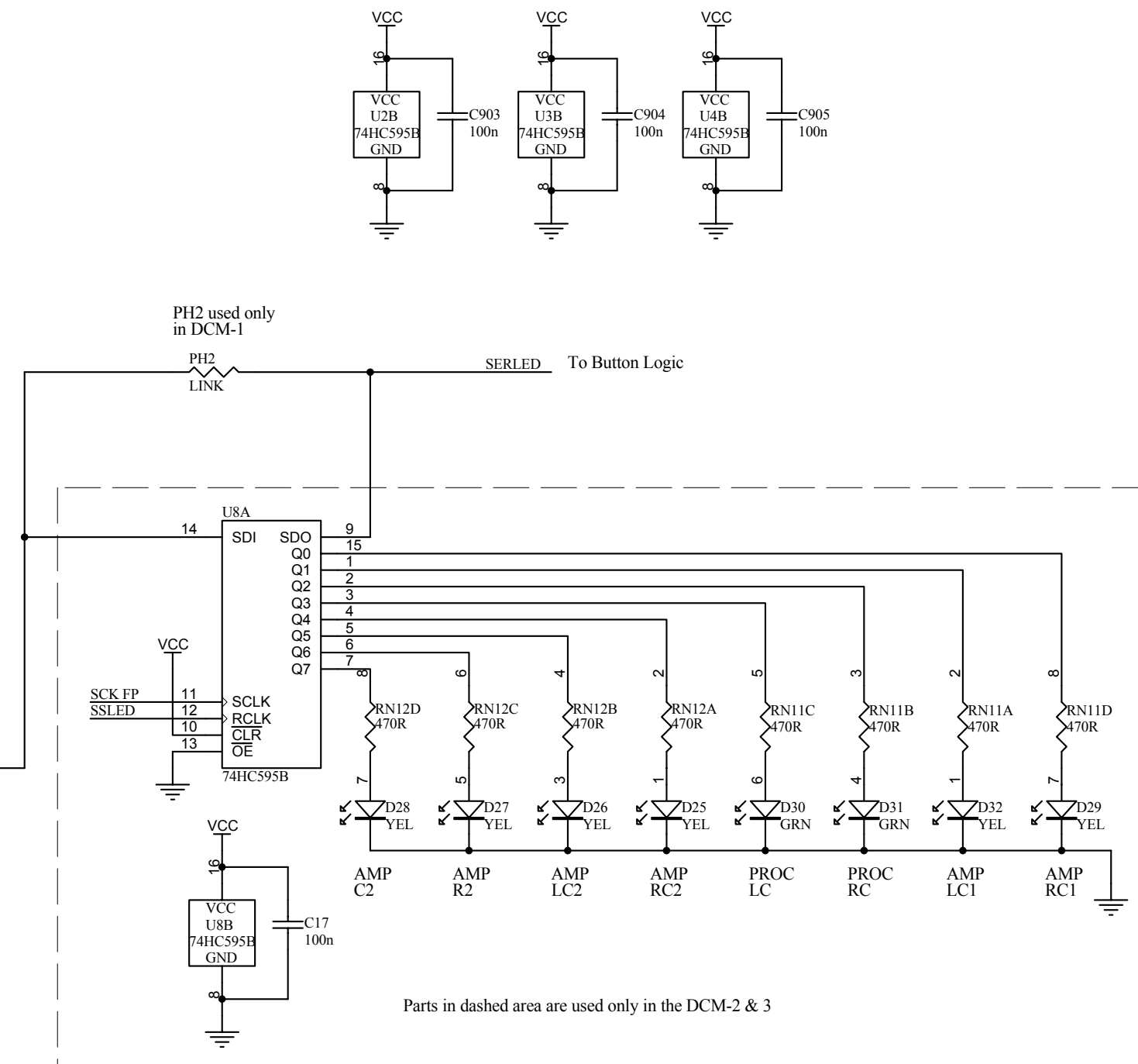
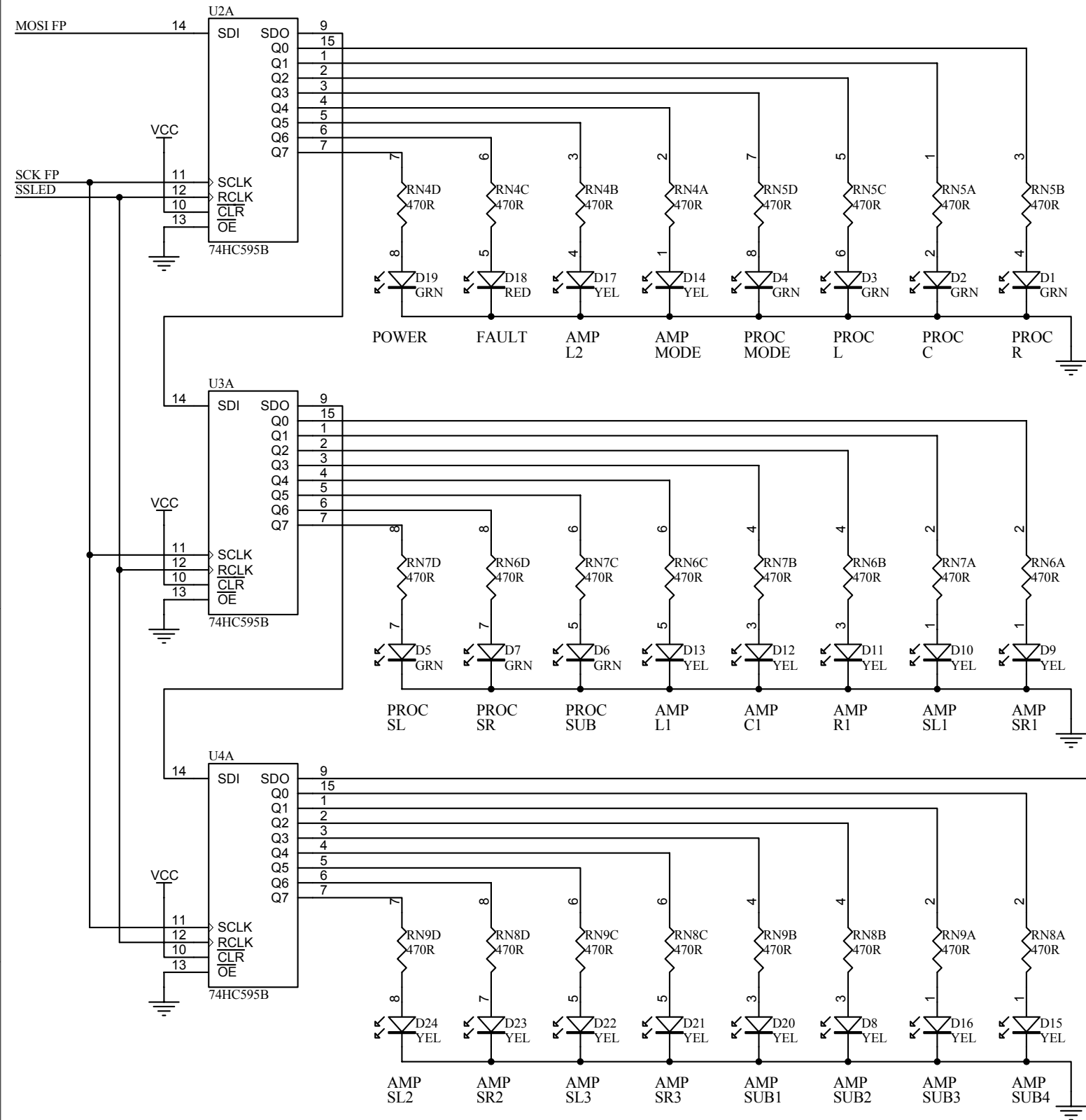


**THAT Corporation** 45 Sumner Street  
Milford, MA 508-478-9200

|             |       |   |
|-------------|-------|---|
| Checked:    | Date: | Title:<br><b>DCM FRONT PANEL</b><br>I/O Interface & Button Logic  |
| Proj. Eng.: | Date: |   |
| Chf. Eng.:  | Date: | Size: <b>B</b> Drawing Number: <b>PC-000092</b> Revision: <b>A</b>  |
| Production: | Date: | Date: 28-Jun-2002 Drawn by: A. ARANDA Sheet 2 of 5<br>File: F:\DM\SH\SH000092\DEV_WORK\SH0092rA.DDB - Documents\305-0200.SC |

This document and the data disclosed herein or herewith is not to be reproduced, used, or disclosed in whole or in part to anyone without the written permission of THAT Corporation.

| Rev | Description | Date | Approved |
|-----|-------------|------|----------|
|     |             |      |          |

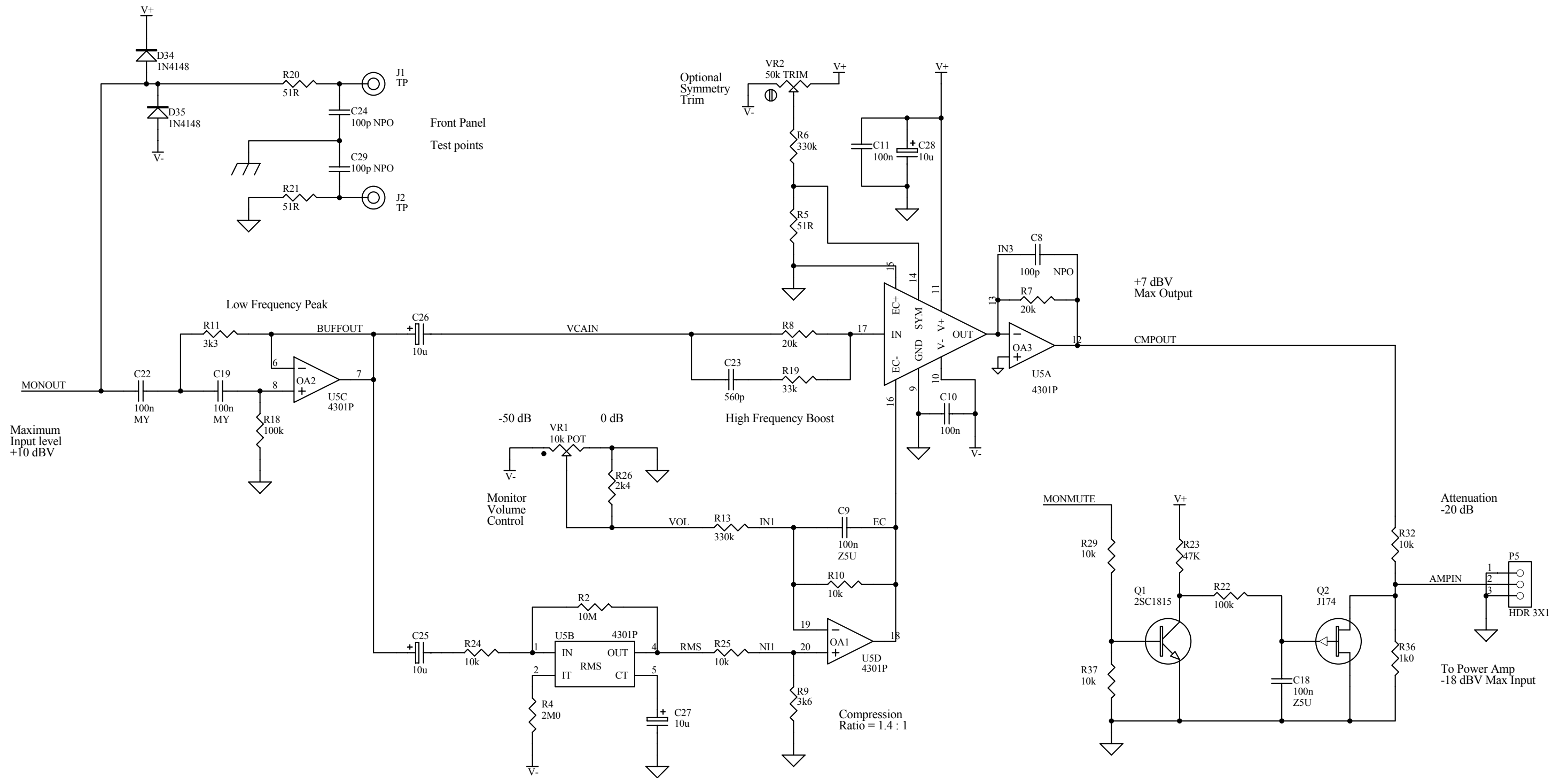


**THAT Corporation** 45 Sumner Street  
Milford, MA 01850  
508-478-9200

|             |       |   |
|-------------|-------|---|
| Checked:    | Date: | Title: <b>DCM FRONT PANEL LED Driver Logic</b>  |
| Proj. Eng.: | Date: |   |
| Chf. Eng.:  | Date: | Size: <b>B</b> Drawing Number: <b>PC000092-00</b> Revision: <b>A</b>  |
| Production: | Date: | Date: 28-Jun-2002 Drawn by: A. ARANDA Sheet 3 of 5<br>File: F:\DM\SH\SH000092\DEV\WORK\SH0092rA.DDB - Documents\305-0300.SC |

This document and the data disclosed herein or herewith is not to be reproduced, used, or disclosed in whole or in part to anyone without the written permission of THAT Corporation.

| Rev | Description | Date | Approved |
|-----|-------------|------|----------|
|     |             |      |          |

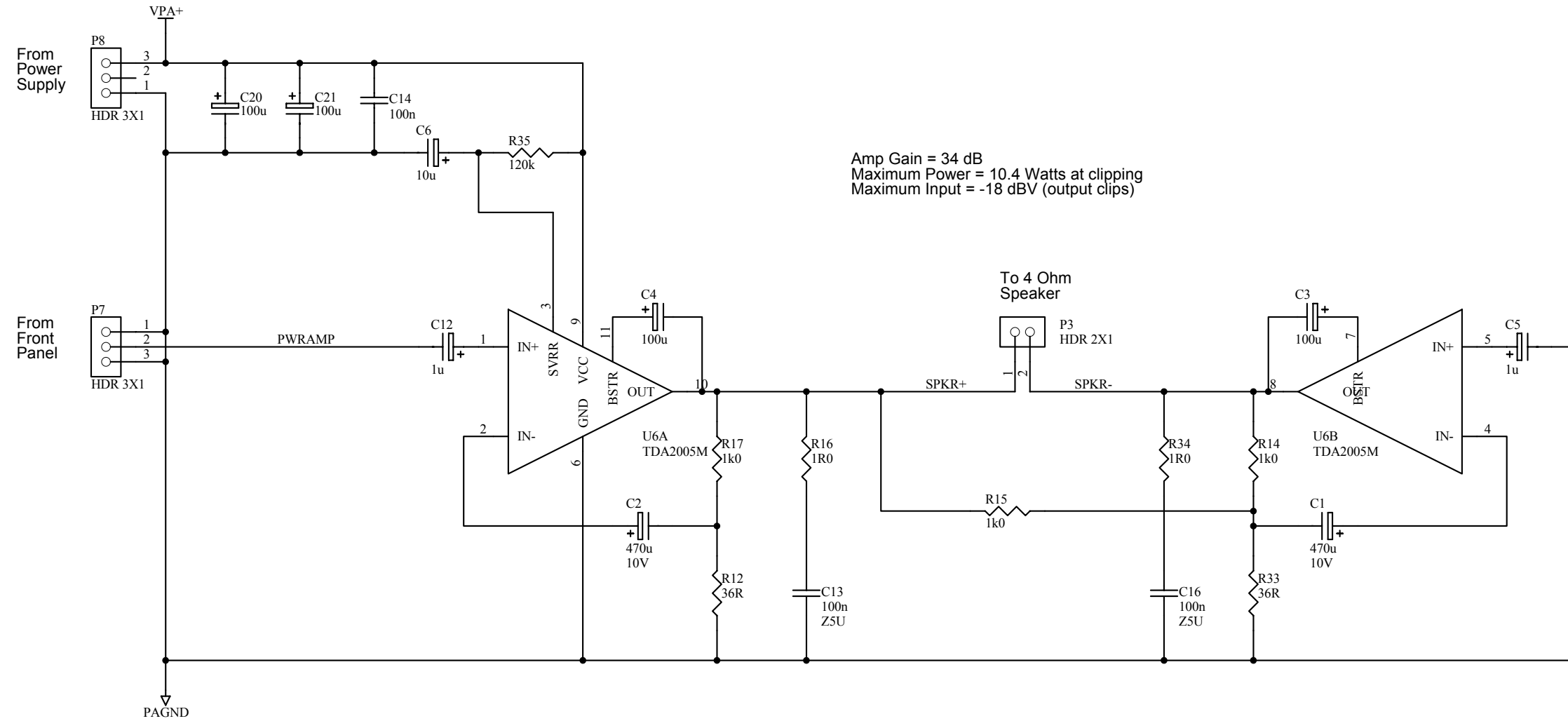


**THAT Corporation** 45 Sumner Street  
Milford, MA 01850  
508-478-9200

|             |       |   |
|-------------|-------|---|
| Checked:    | Date: | Title: <b>DCM FRONT PANEL</b><br>Buffer / Compressor  |
| Proj. Eng.: | Date: |   |
| Chf. Eng.:  | Date: | Size: <b>B</b> Drawing Number: <b>PC-000092</b> Revision: <b>A</b>  |
| Production: | Date: | Date: 28-Jun-2002 Drawn by: A. ARANDA Sheet 4 of 5<br>File: F:\DM\SH\SH000092\DEV_WORK\SH0092rA.DDB - Documents\305-0400.SC |

This document and the data disclosed herein or herewith is not to be reproduced, used, or disclosed in whole or in part to anyone without the written permission of THAT Corporation.

| Rev | Description | Date | Approved |
|-----|-------------|------|----------|
|     |             |      |          |



**THAT Corporation** 45 Sumner Street  
Milford, MA  
508-478-9200

|             |       |   |
|-------------|-------|---|
| Checked:    | Date: | Title: <b>DCM FRONT PANEL<br/>Power Amplifier Module</b>  |
| Proj. Eng.: | Date: |   |
| Chf. Eng.:  | Date: | Size: <b>B</b> Drawing Number: <b>PC-000092-00</b> Revision: <b>A</b>   |
| Production: | Date: | Date: 28-Jun-2002 Drawn by: A. ARANDA Sheet 5 of 5<br>File: F:\DM\SH\SH000092\DEV_WORK\SH0092rA.DDB - Documents\305-0500.SC |

THIS DOCUMENT CONTAINS PROPRIETARY INFORMATION WHICH IS THE PROPERTY OF QSC AUDIO PRODUCTS. THAT MAY NOT BE DISCLOSED, REPRODUCED OR USED WITHOUT EXPRESS WRITTEN CONSENT FROM QSC AUDIO PRODUCTS.

| REV | REVISION                           | EFF. DATE | CHK | APPROVED DATE |
|-----|------------------------------------|-----------|-----|---------------|
| A   | PRODUCTION RELEASE PER ECO 5662 AA | 4-11-03   |     | DD            |
| A1  | REVISED PER ECO 6434 AA            | 01-07-05  |     | DD            |

Dataports A,B,C,D  
313-0201.SCH



VMON & IMON Input Select 2 of 2  
313-0801.SCH



Dataports E,F,G,H  
313-0301.SCH



VMON & IMON RMS Detectors  
313-0901.SCH



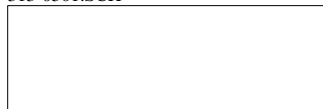
Dataports I,J,K,L  
313-0401.SCH



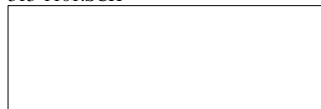
Amp Monitor Mix 1 of 2  
313-1001.SCH



Dataports M,N,O  
313-0501.SCH



Amp Monitor Mix 2 of 2  
313-1101.SCH



Standby & Bypass Relays and Power Input  
313-0601.SCH



Center Channel Bypass  
313-1201.SCH



VMON & IMON Input Select 1 of 2  
313-0701.SCH



Analog Switch & Digital Pot Control  
313-1301.SCH



UNLESS OTHERWISE NOTED:

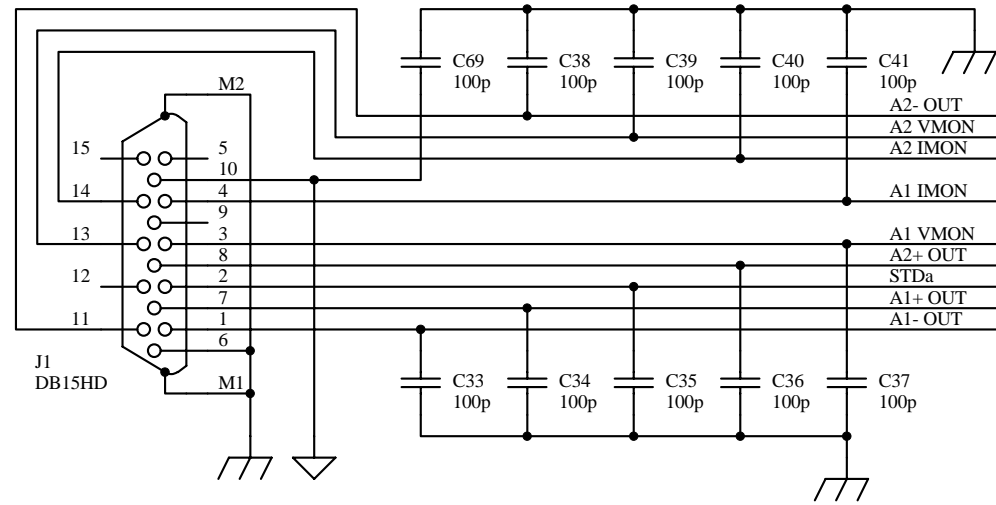
- 1.0 All resistor values are expressed in Ohms.
- 1.1 All resistors are 1/4 Watt types with their tolerance and material coded into their value.
 

| VALUE                  | 1%, Metal Film | 5%, Carbon Film |
|------------------------|----------------|-----------------|
| 0 Ohm to 0.99 Ohms     | 0R to 0R976    | 0R to 0R91      |
| 1 Ohm to 99 Ohms       | 1R00 to 97R6   | 1R0 to 91R      |
| 100 Ohms to 999 Ohms   | 100R0 to 976R0 | 100R to 910R    |
| 1k Ohm to 9k9 Ohms     | 1k00 to 9k76   | 1k0 to 9k1      |
| 10k Ohms to 99k Ohms   | 10k0 to 97k6   | 10k to 91k      |
| 100k Ohms to 999k Ohms | 100k0 to 976k0 | 100k to 910k    |
| 1M Ohm to 99M Ohms     | 1M00 to 97M6   | 1M0 to 91M      |
- 2. All resistor networks are 2%, 1/8 Watt types with their values expressed in Ohms.
- 3.0 All capacitor values are expressed in Farads
- 3.1 All 100n bypass capacitors are 20%, 50 Volt, Z5U, Ceramic Monolithic types. Their Reference Designators are coded as CVXXX where XXX is the associated IC number and V is the associated power supply voltage. Values for V are: 9 = +5, 8 = -5, 7 = +15, 6 = -15, 5 = +12, 4 = -12.
- 3.2 All non-electrolytic capacitors are 10%, 50 Volt, X7R, Ceramic Monolithic types.
- 3.3 All NPO capacitors are 5%, 50 Volt, Ceramic Monolithic types.
- 3.4 All MY capacitors are 5%, 50 Volt, Metalized Polyester types.
- 3.5 All PP capacitors are 5%, 50 Volt, Metalized Polypropylene types.
- 3.6 All PC capacitors are 5%, 50 Volt, Metalized Polycarbonate types.
- 3.7 All electrolytic capacitors are 20%, 16 Volt (or higher), Aluminum Electrolyte types.
- 3.8 All TA capacitors are 20%, 16 Volt (or higher), Tantalum Electrolyte types.
- 4. For complete information on any component please see the associated bill of materials.
- 5. All net names preceded by a / are active low signals.
- 6. IC power supply connections are called out in a table at the bottom of the page(s) the IC appears on. Only non-standard or unique power supply connections will be shown on the schematic sheet.
- 7. V+ = +12, V- = -12, VCC = +5, VEE = -5

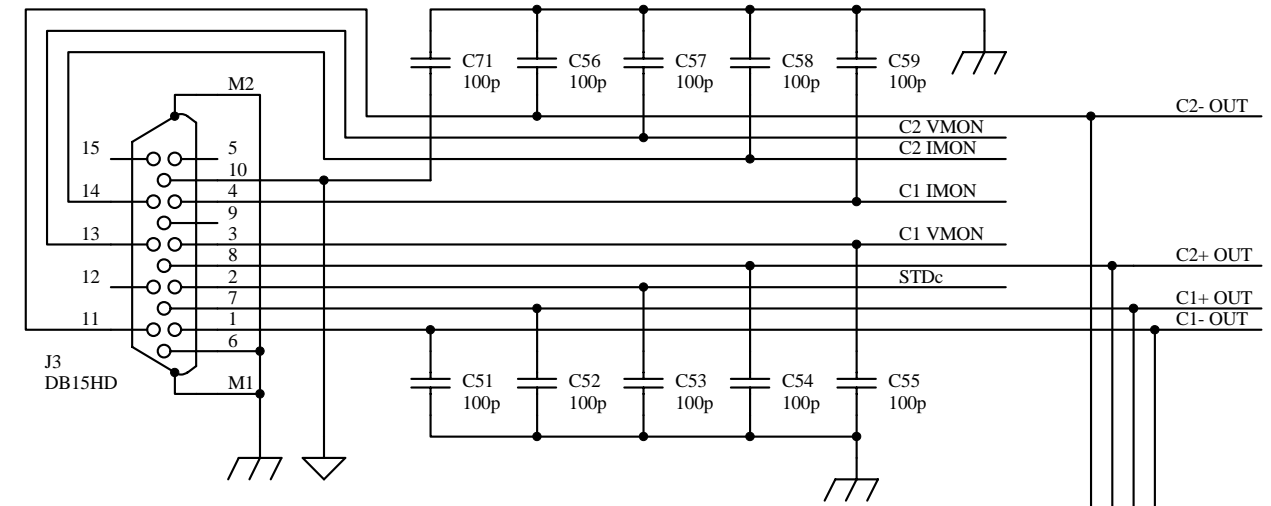
|   |                             |  |  |
|---|-----------------------------|--|--|
| <b>QSC AUDIO PRODUCTS, INC.</b>                                       |                             | 1675 MACARTHUR BLVD.<br>COSTA MESA, CA 92626 |  |
| Title: Digital Cinema Monitor<br>DCM-2/DCM-3 Monitor Board            |                             |  |  |
| Size: <b>B</b>  | Number: <b>SH-000235-00</b> | Rev: <b>A1</b>                               |  |
| File: F:\DM\SH\SH000235\CUR_REV\313-0101.DDB - Documents\313-0101.PRJ |                             |  |  |
| Date: 10-Jan-2005   | Eng:                        | Sheet 1 of 13                                |  |

THIS DOCUMENT CONTAINS PROPRIETARY INFORMATION WHICH IS THE PROPERTY OF QSC AUDIO PRODUCTS. THAT MAY NOT BE DISCLOSED, REPRODUCED OR USED WITHOUT EXPRESS WRITTEN CONSENT FROM QSC AUDIO PRODUCTS.

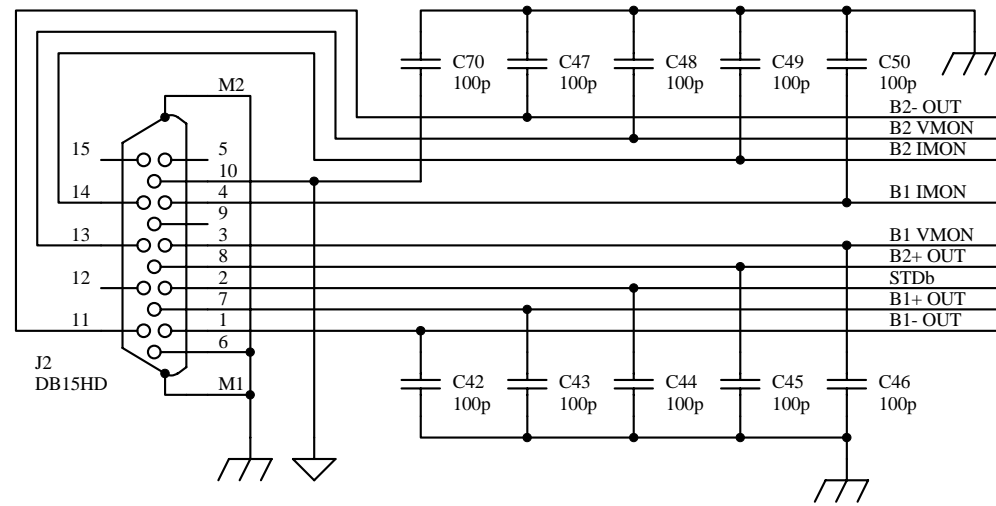
DATAPORT A



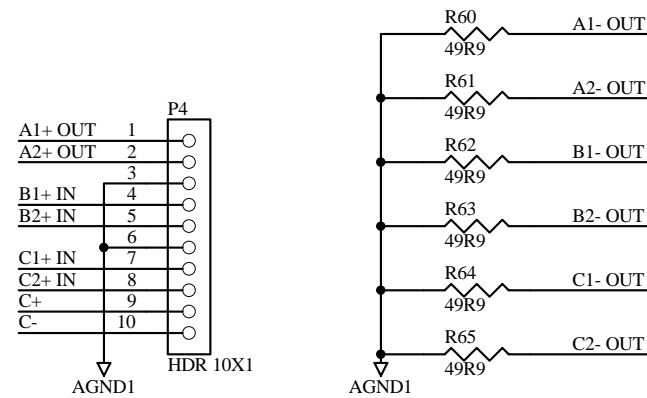
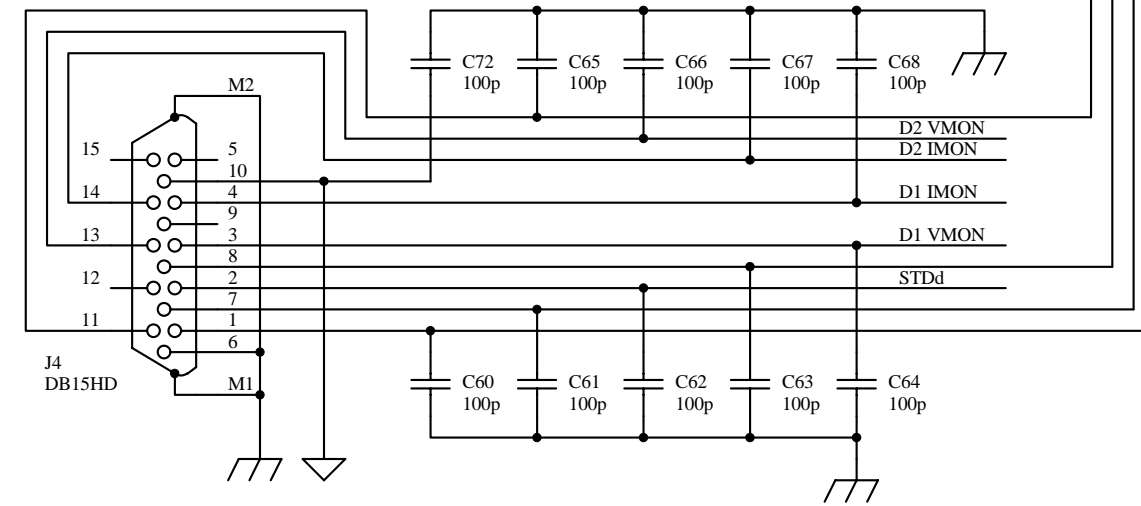
DATAPORT C



DATAPORT B



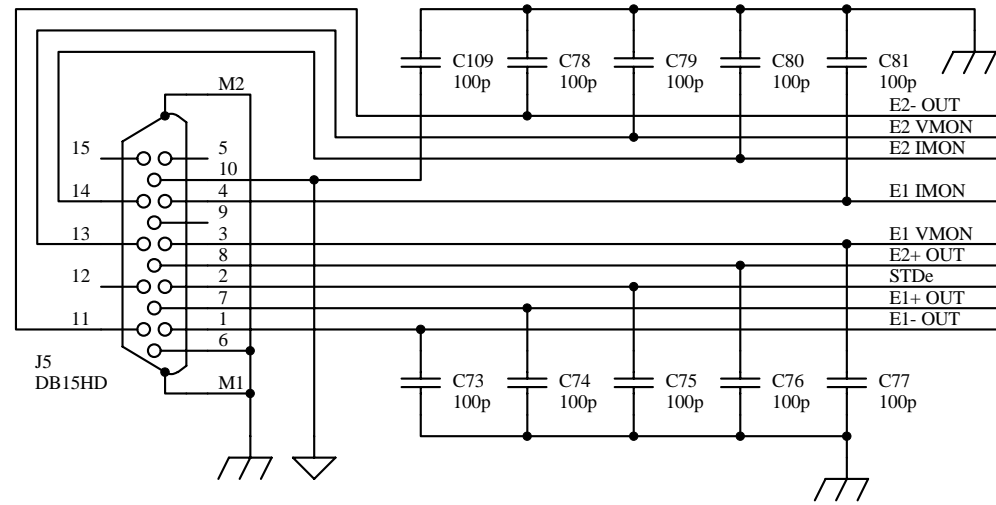
DATAPORT D



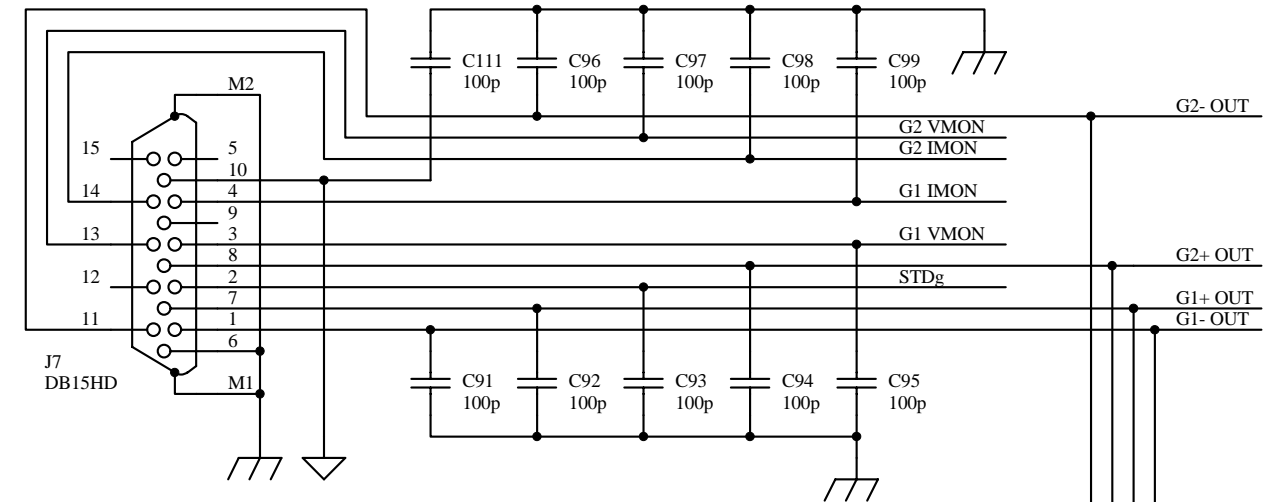
|  |                            |  |  |
|--|----------------------------|--|--|
| <b>QSC AUDIO PRODUCTS, INC.</b>                                      |                            | 1675 MACARTHUR BLVD.<br>COSTA MESA, CA 92626 |  |
| Title: DCM-2/DCM-3 Rear Monitor<br>Dataport A, B, C, D               |                            |  |  |
| Size: <b>B</b>   | Number: <b>SH-00235-00</b> | Rev <b>A1</b>                                |  |
| File: F:\DM\SH\SH00235\CUR_REV\313-0101.DDB - Documents\313-0201.SCH |                            |  |  |
| Date: 10-Jan-2005  | Eng:                       | Sheet 2 of 13                                |  |

THIS DOCUMENT CONTAINS PROPRIETARY INFORMATION WHICH IS THE PROPERTY OF QSC AUDIO PRODUCTS. THAT MAY NOT BE DISCLOSED, REPRODUCED OR USED WITHOUT EXPRESS WRITTEN CONSENT FROM QSC AUDIO PRODUCTS.

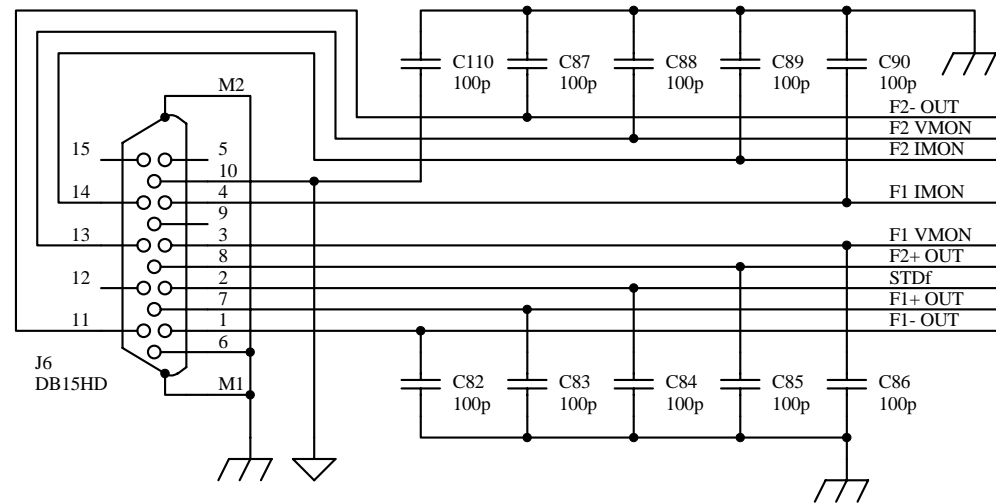
DATAPOINT E



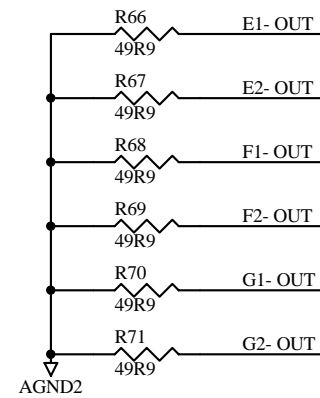
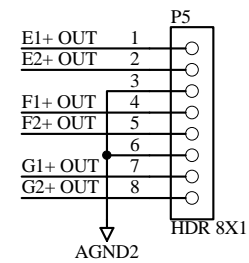
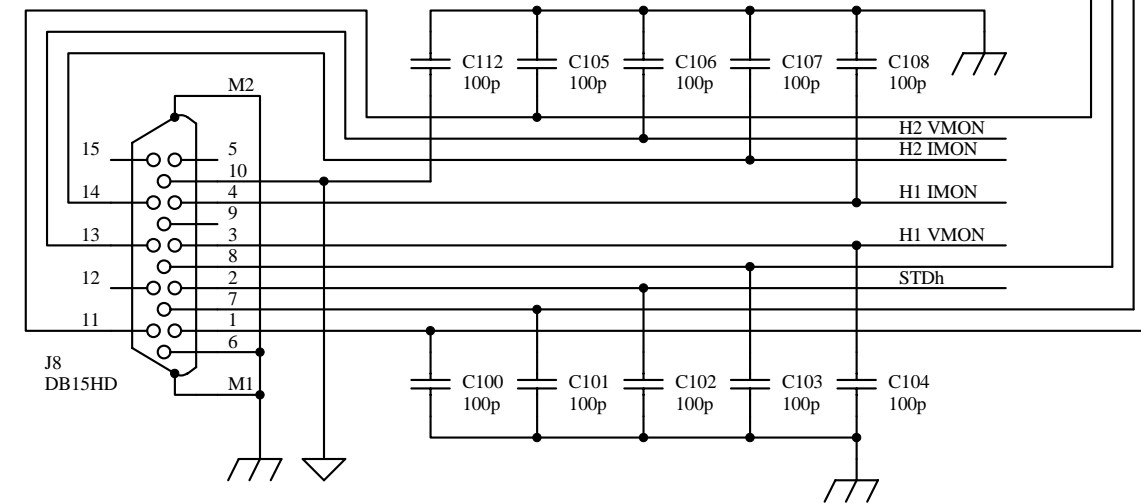
DATAPOINT G (SUBS 1 & 2)



DATAPOINT F



DATAPOINT H (SUBS 3 & 4)



**QSC AUDIO PRODUCTS, INC.** 1675 MACARTHUR BLVD. COSTA MESA, CA 92626

Title: DCM-2/DCM-3 Processor Board  
Dataport E, F, G, H

Size: **B** Number: **SH-00235-00** Rev: **A1**

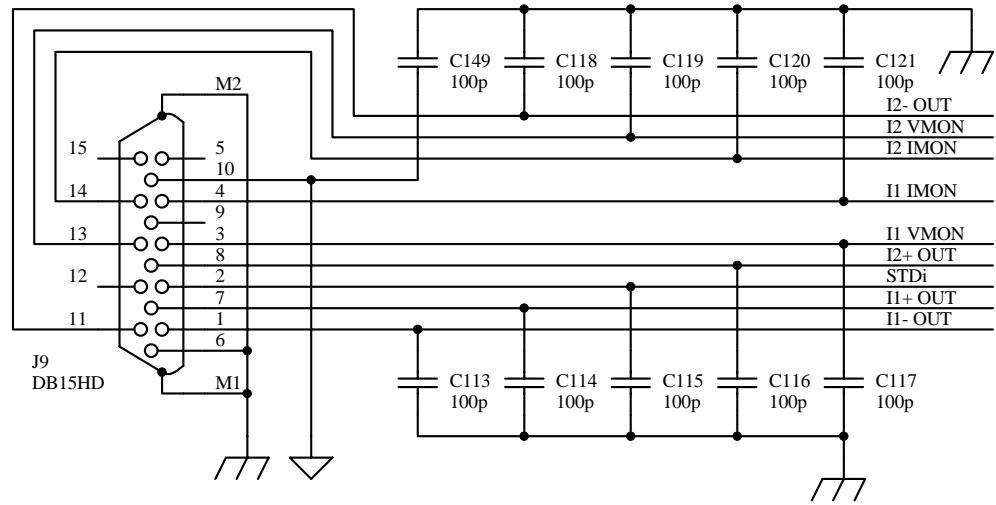
File: F:\DM\SH\SH00235\CUR\_REV\313-0101.DDB - Documents\313-0301.SCH

Date: 10-Jan-2005 Eng: Sheet 3 of 13

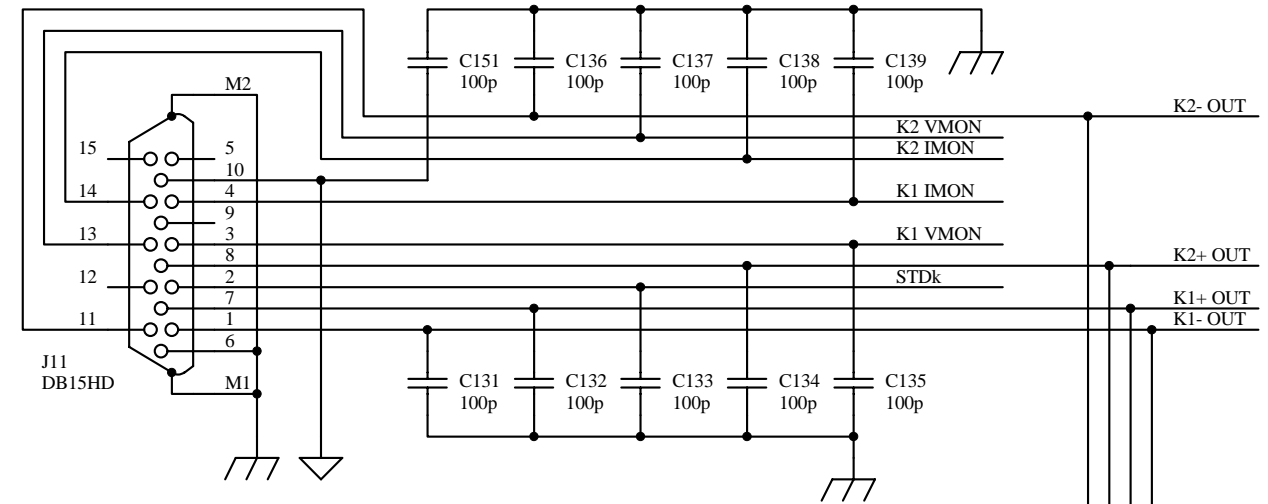


THIS DOCUMENT CONTAINS PROPRIETARY INFORMATION WHICH IS THE PROPERTY OF QSC AUDIO PRODUCTS. THAT MAY NOT BE DISCLOSED, REPRODUCED OR USED WITHOUT EXPRESS WRITTEN CONSENT FROM QSC AUDIO PRODUCTS.

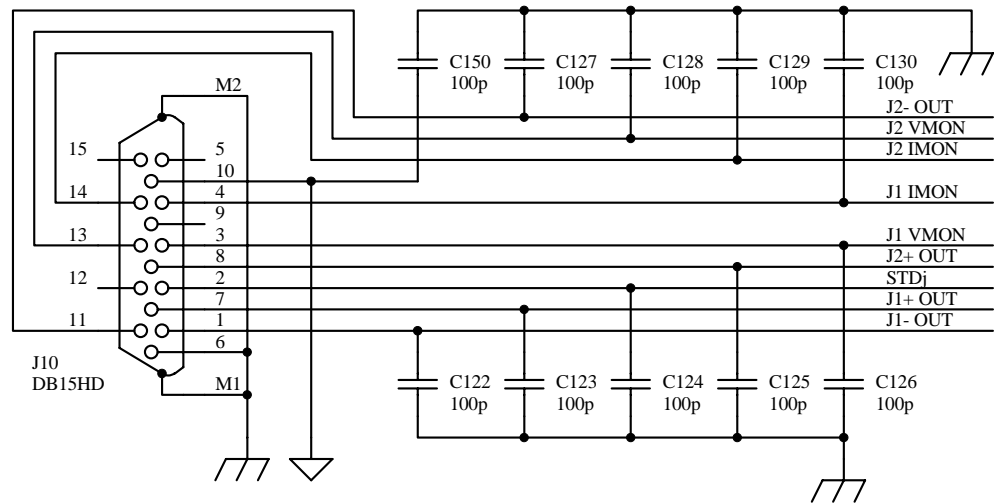
DATAPORT I



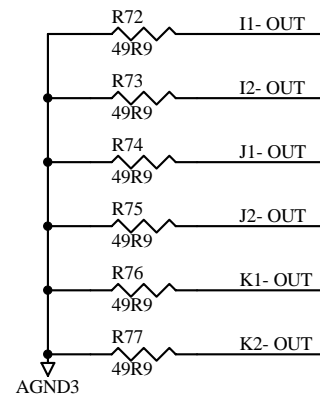
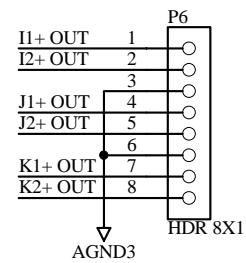
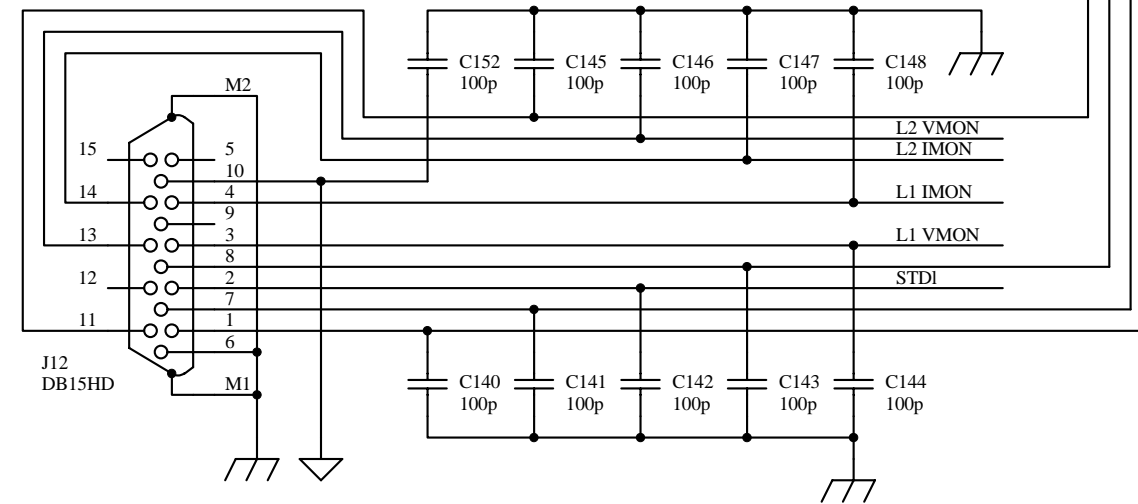
DATAPORT K



DATAPORT J



DATAPORT L

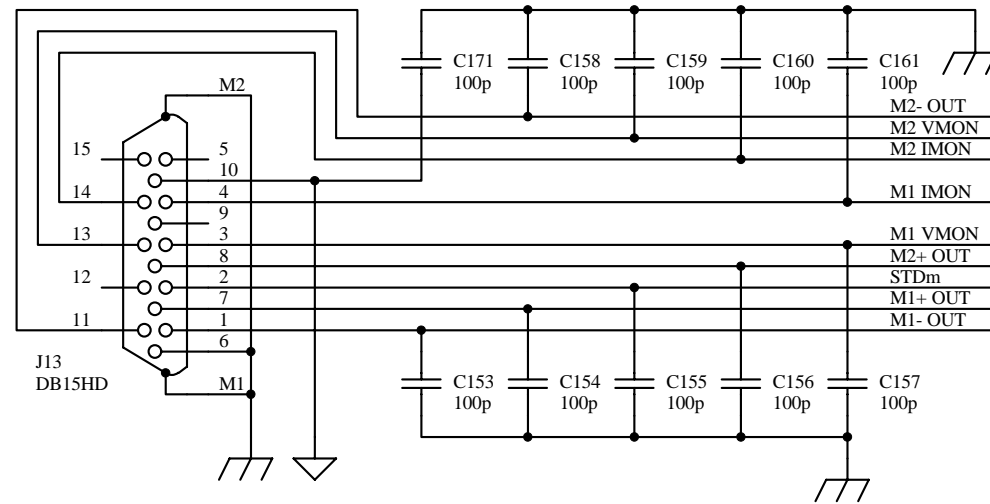


DCM-3 ONLY

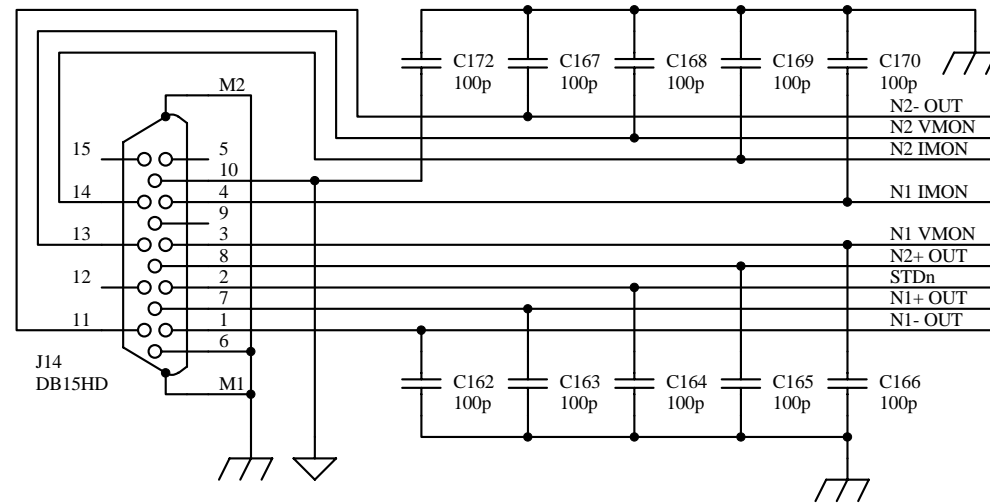
|  |                            |  |  |
|--|----------------------------|--|--|
| <b>QSC AUDIO PRODUCTS, INC.</b>                                      |                            | 1675 MACARTHUR BLVD.<br>COSTA MESA, CA 92626 |  |
| Title: DCM-2/DCM-3 Monitor Board<br>Dataport I, J, K, L              |                            |  |  |
| Size: <b>B</b>   | Number: <b>SH-00235-00</b> | Rev <b>A1</b>                                |  |
| File: F:\DM\SH\SH00235\CUR_REV\313-0101.DDB - Documents\313-0401.SCH |                            |  |  |
| Date: 10-Jan-2005  | Eng:                       | Sheet 4 of 13                                |  |

THIS DOCUMENT CONTAINS PROPRIETARY INFORMATION WHICH IS THE PROPERTY OF QSC AUDIO PRODUCTS. THAT MAY NOT BE DISCLOSED, REPRODUCED OR USED WITHOUT EXPRESS WRITTEN CONSENT FROM QSC AUDIO PRODUCTS.

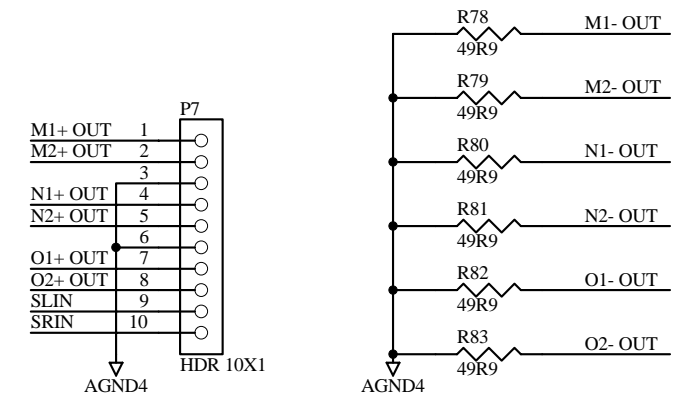
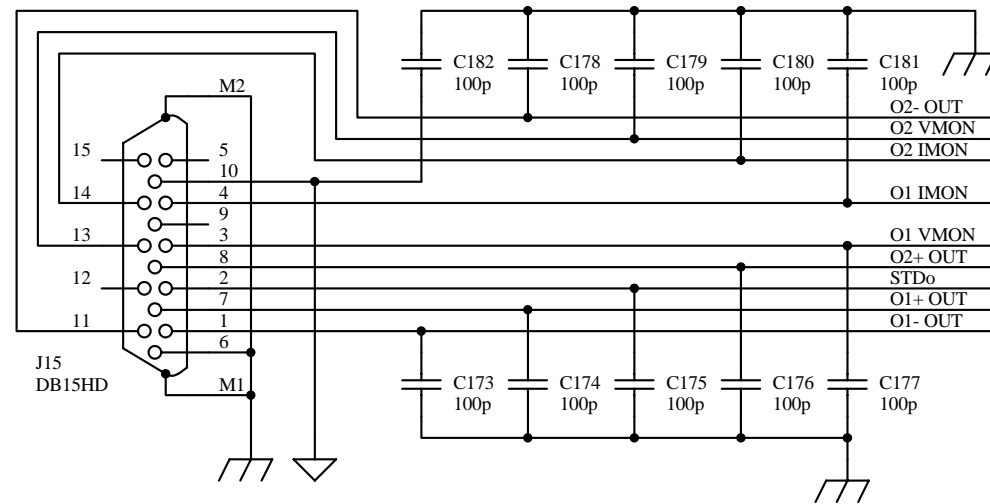
**DATAPORT M  
(Surround 1)**



**DATAPORT N  
(Surround 2)**

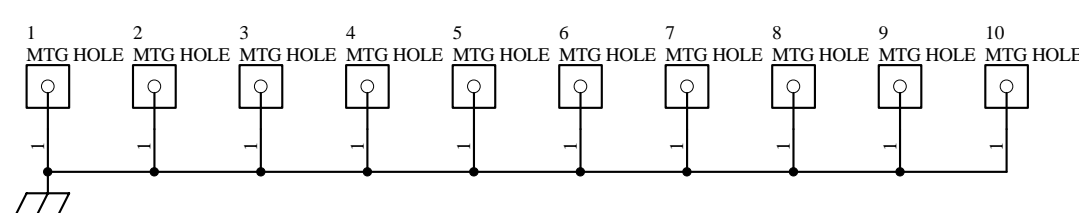
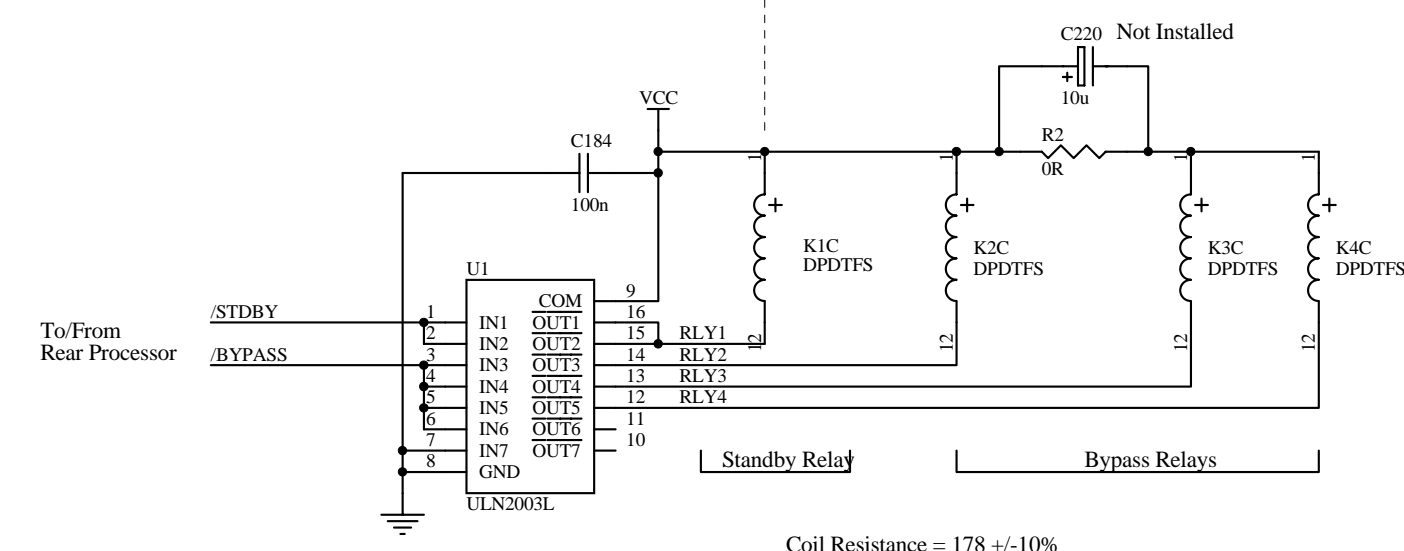
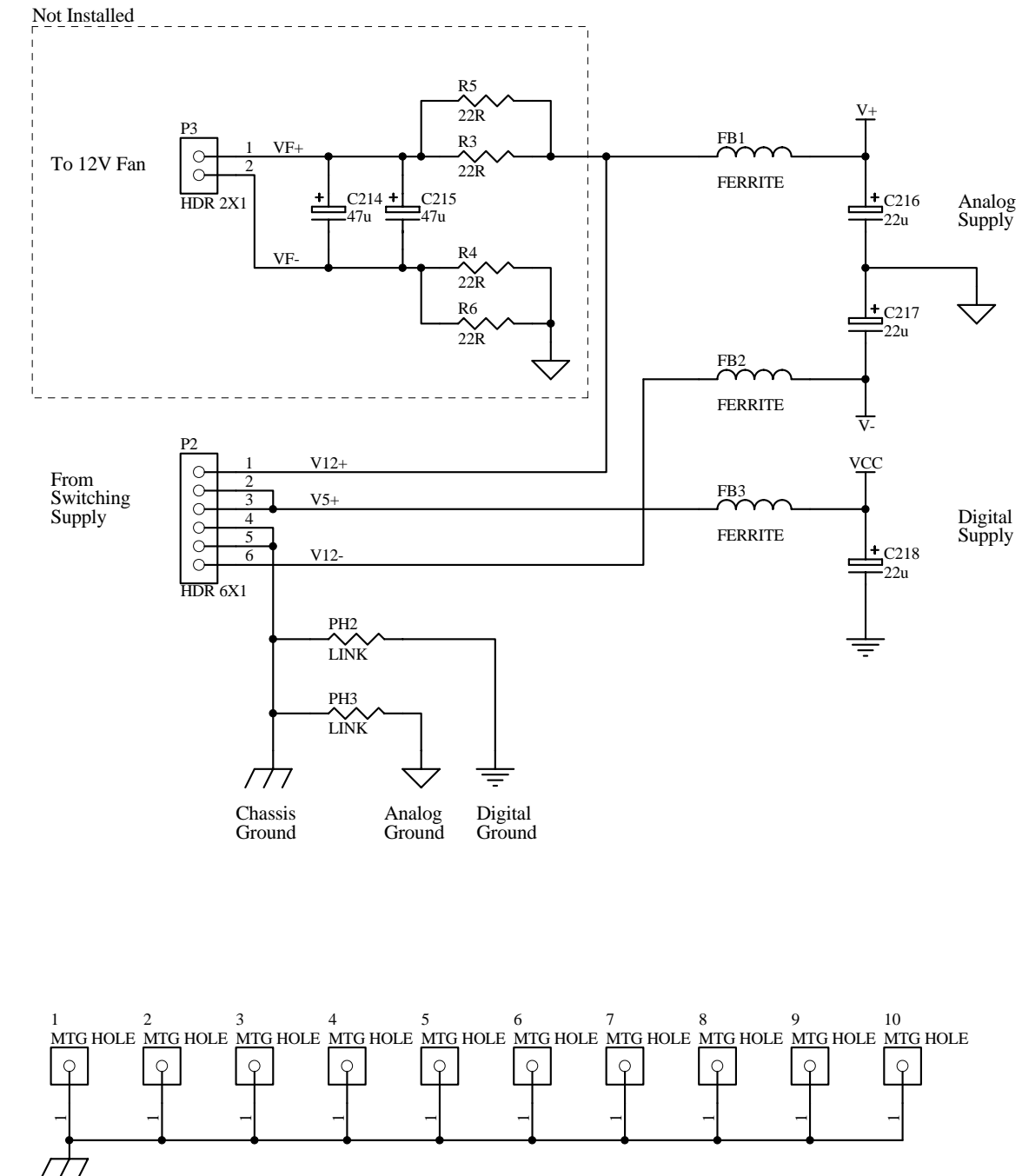
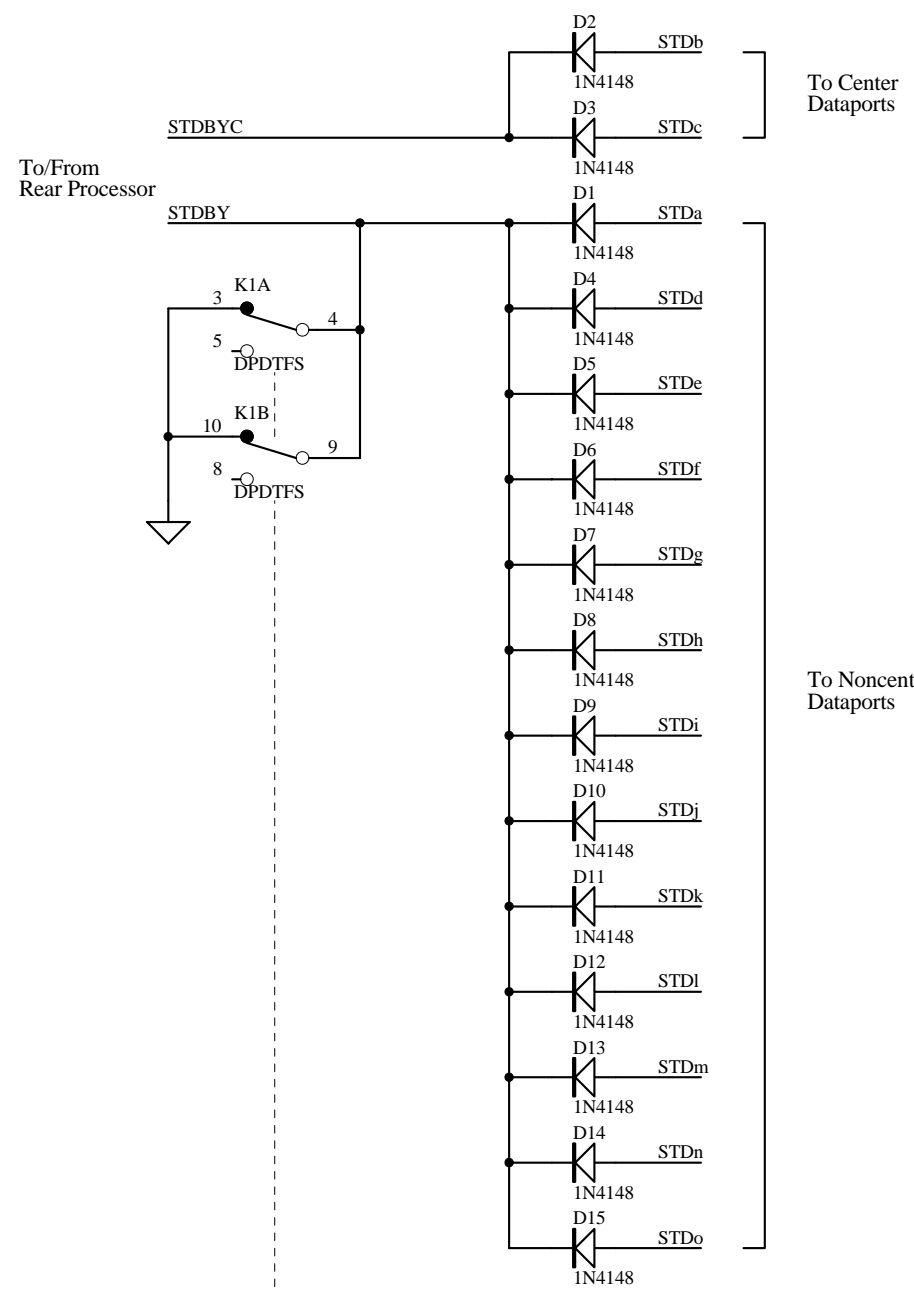


**DATAPORT O  
(Surround 3)**



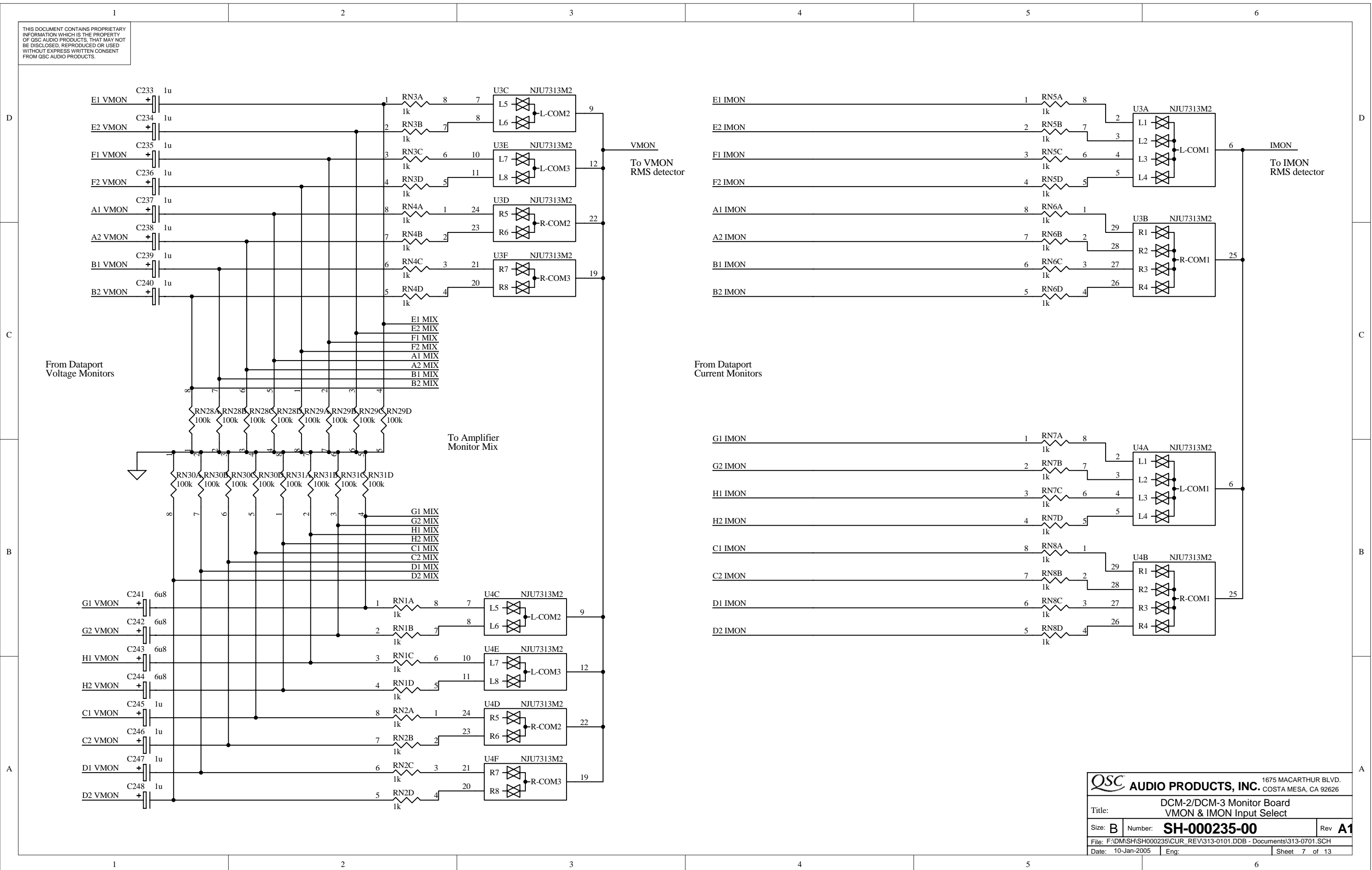
|   |                             |                |
|---|-----------------------------|----------------|
| <b>QSC AUDIO PRODUCTS, INC.</b> 1675 MACARTHUR BLVD. COSTA MESA, CA 92626 |                             |                |
| Title: DCM-2/DCM-3 Monitor Board Dataports M, N, O, (Surrounds)           |                             |                |
| Size: <b>B</b>  | Number: <b>SH-000235-00</b> | Rev: <b>A1</b> |
| File: F:\DM\SH\SH000235\CUR_REV\313-0101.DDB - Documents\313-0501.SCH     |                             |                |
| Date: 10-Jan-2005   | Eng:                        | Sheet 5 of 13  |

THIS DOCUMENT CONTAINS PROPRIETARY INFORMATION WHICH IS THE PROPERTY OF QSC AUDIO PRODUCTS. THAT MAY NOT BE DISCLOSED, REPRODUCED OR USED WITHOUT EXPRESS WRITTEN CONSENT FROM QSC AUDIO PRODUCTS.



|   |                             |  |  |
|---|-----------------------------|--|--|
| <b>QSC AUDIO PRODUCTS, INC.</b>   |                             | 1675 MACARTHUR BLVD.<br>COSTA MESA, CA 92626 |  |
| Title: DCM-2/DCM-3 Monitor Board<br>Standby & Bypass Relays and Power Input |                             |  |  |
| Size: <b>B</b>  | Number: <b>SH-000235-00</b> | Rev <b>A1</b>                                |  |
| File: F:\DM\SH\SH000235\CUR_REV\313-0101.DDB - Documents\313-0601.SCH       |                             |  |  |
| Date: 10-Jan-2005   | Eng:                        | Sheet 6 of 13                                |  |

THIS DOCUMENT CONTAINS PROPRIETARY INFORMATION WHICH IS THE PROPERTY OF QSC AUDIO PRODUCTS. THAT MAY NOT BE DISCLOSED, REPRODUCED OR USED WITHOUT EXPRESS WRITTEN CONSENT FROM QSC AUDIO PRODUCTS.



**QSC AUDIO PRODUCTS, INC.** 1675 MACARTHUR BLVD. COSTA MESA, CA 92626

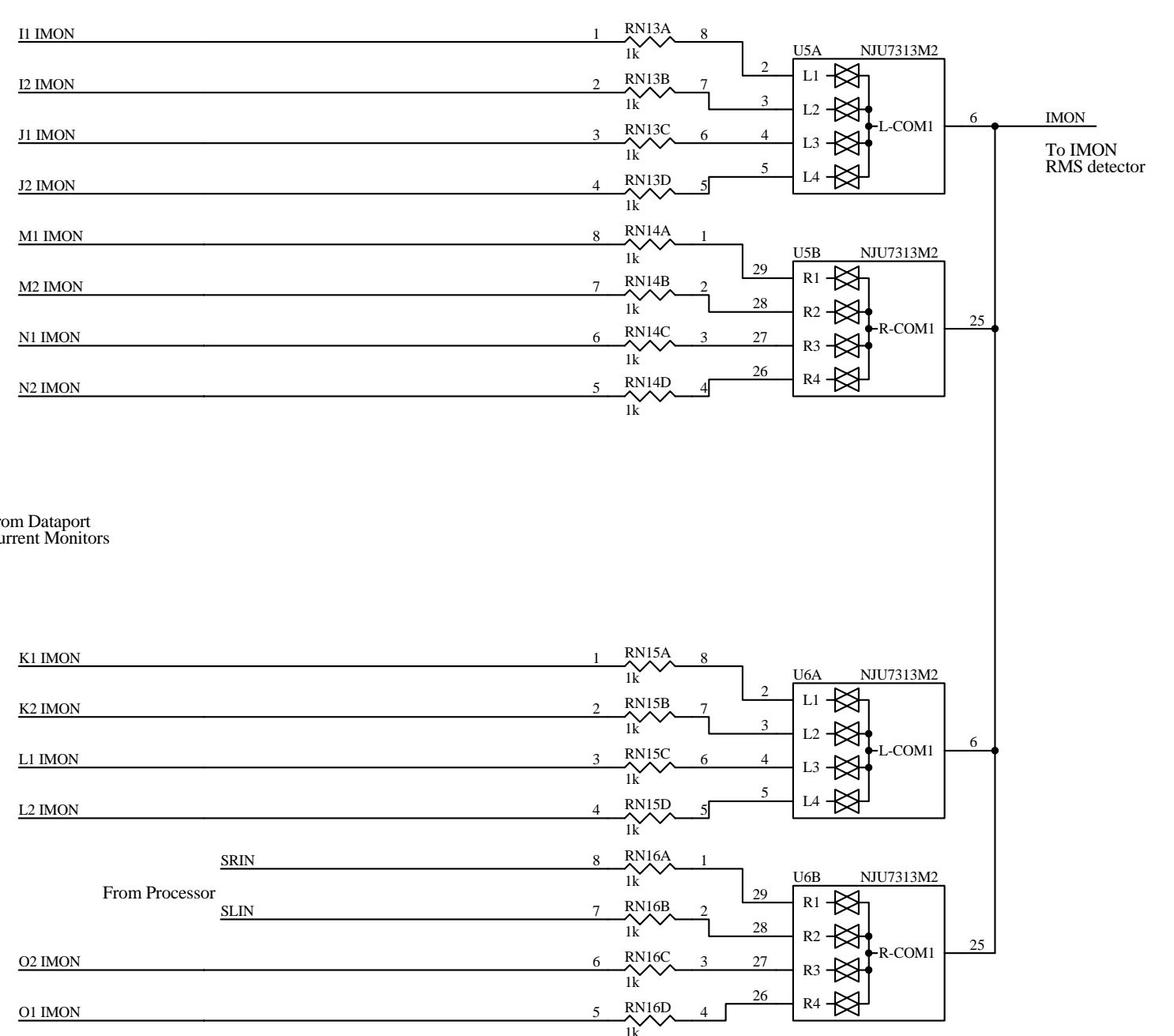
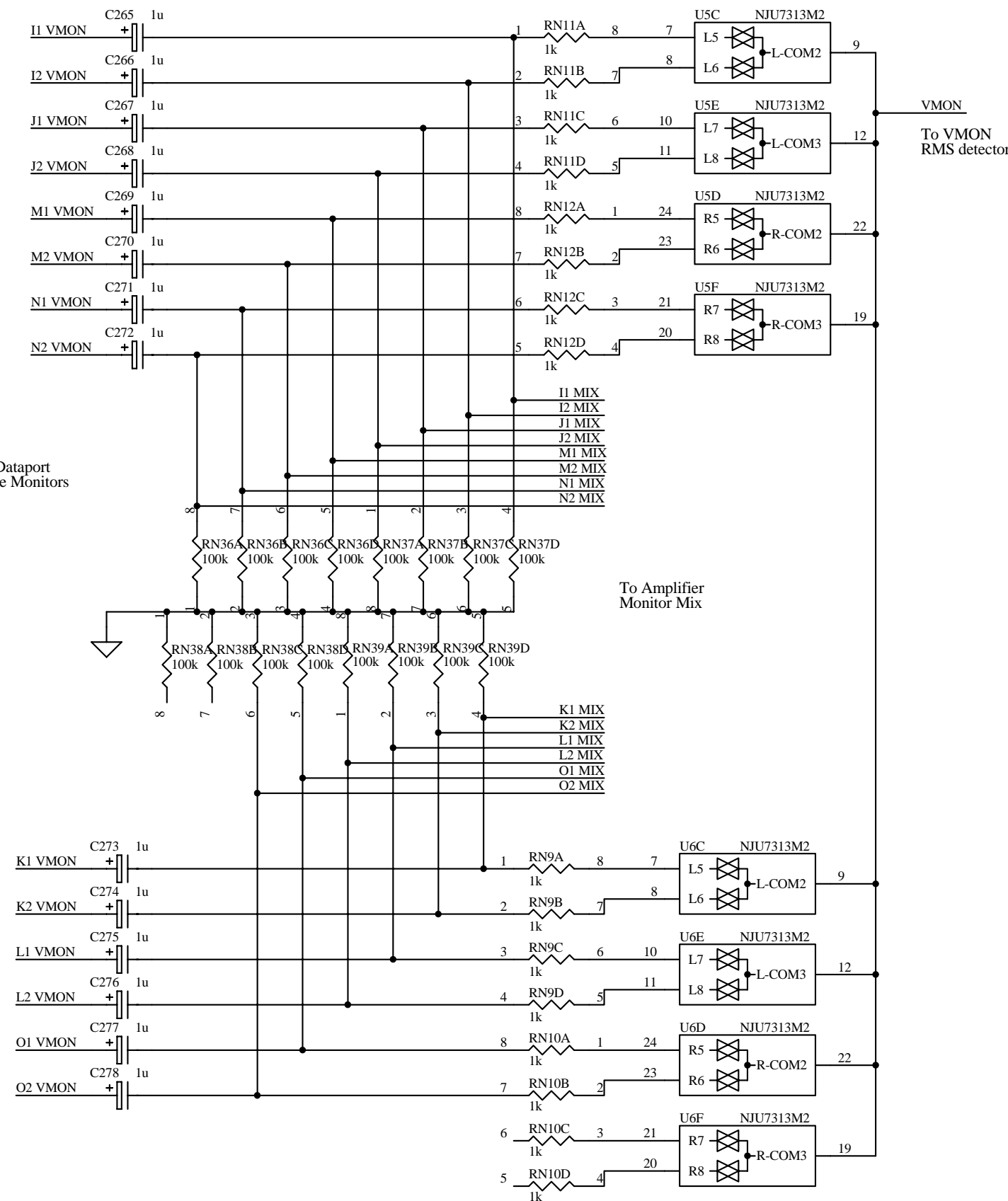
Title: **DCM-2/DCM-3 Monitor Board**  
**VMON & IMON Input Select**

Size: **B** Number: **SH-00235-00** Rev: **A1**

File: F:\DM\SH\SH00235\CUR\_REV\313-0101.DDB - Documents\313-0701.SCH

Date: 10-Jan-2005 Eng: Sheet 7 of 13

THIS DOCUMENT CONTAINS PROPRIETARY INFORMATION WHICH IS THE PROPERTY OF QSC AUDIO PRODUCTS. THAT MAY NOT BE DISCLOSED, REPRODUCED OR USED WITHOUT EXPRESS WRITTEN CONSENT FROM QSC AUDIO PRODUCTS.



**QSC AUDIO PRODUCTS, INC.** 1675 MACARTHUR BLVD. COSTA MESA, CA 92626

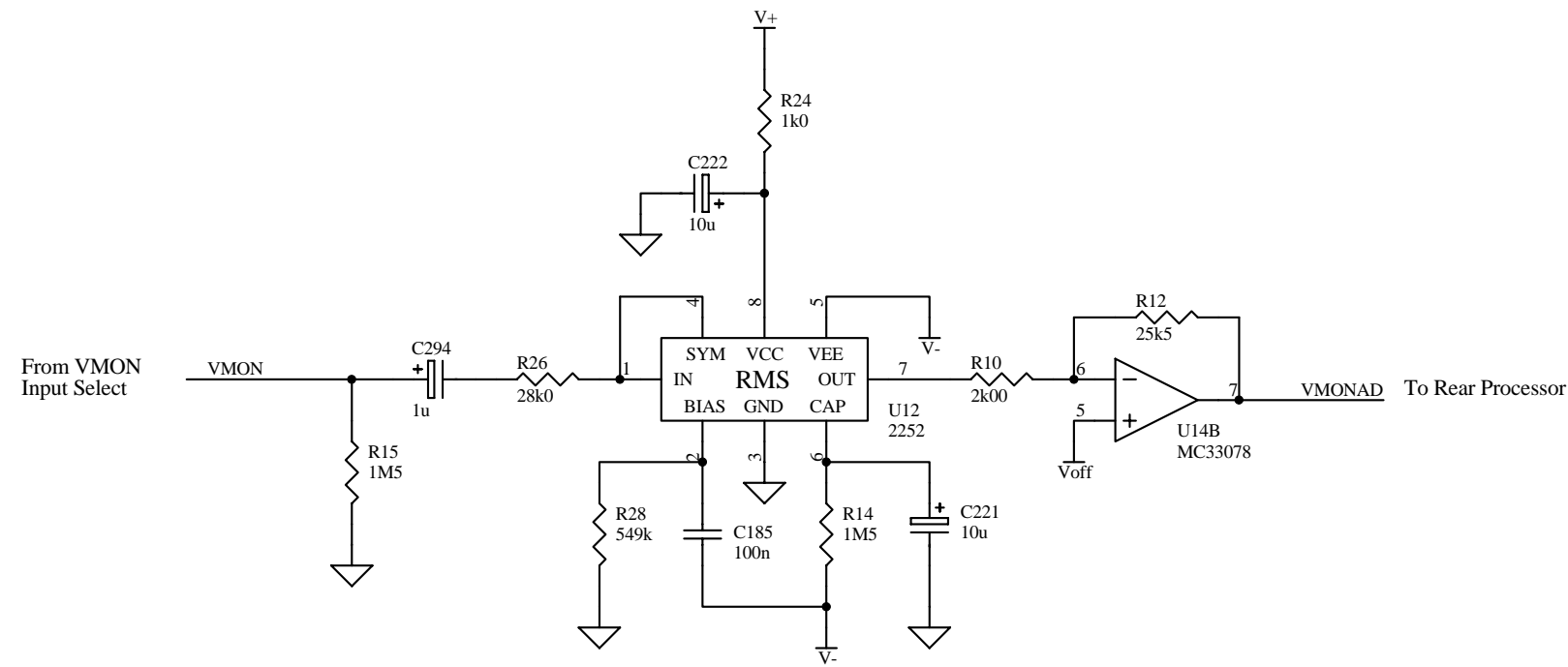
Title: **DCM-2/DCM-3 Monitor Board VMON & IMON Input Select**

Size: **B** Number: **SH-000235-00** Rev: **A1**

File: F:\DM\SH\SH000235\CUR\_REV\313-0101.DDB - Documents\313-0801.SCH

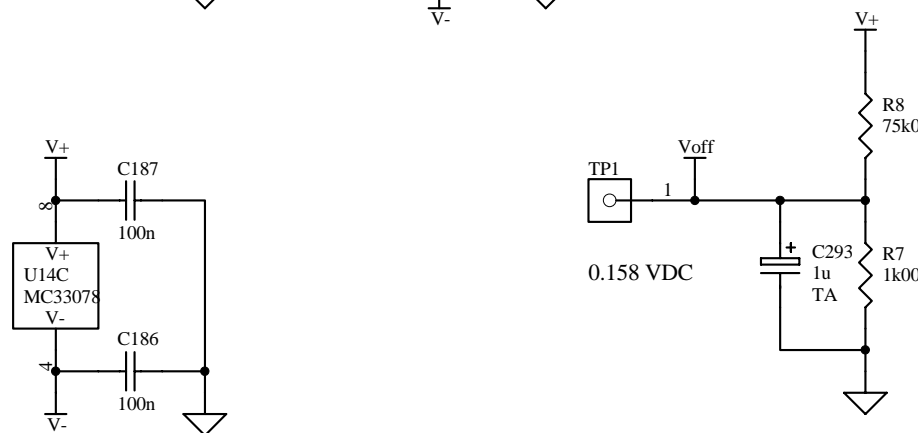
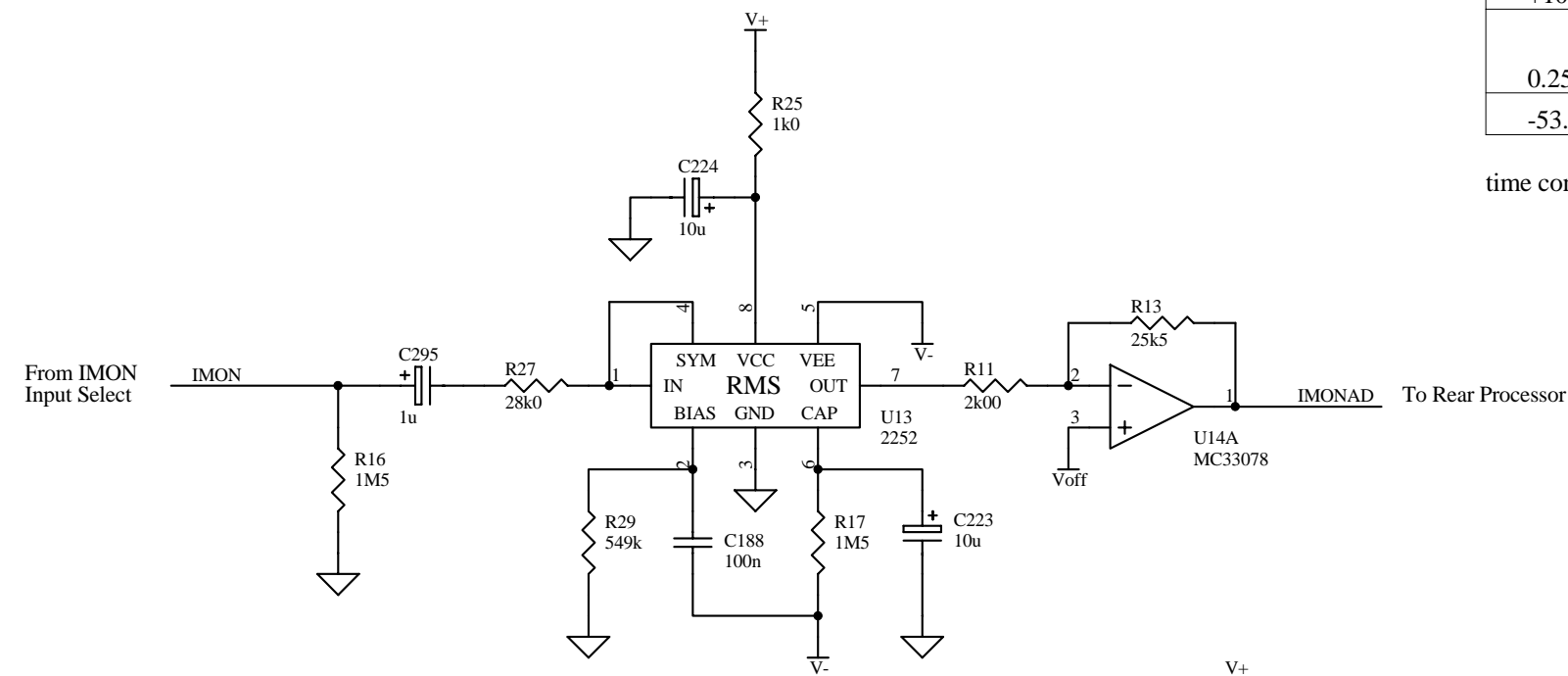
Date: 10-Jan-2005 Eng: Sheet 8 of 13

THIS DOCUMENT CONTAINS PROPRIETARY INFORMATION WHICH IS THE PROPERTY OF QSC AUDIO PRODUCTS. THAT MAY NOT BE DISCLOSED, REPRODUCED OR USED WITHOUT EXPRESS WRITTEN CONSENT FROM QSC AUDIO PRODUCTS.

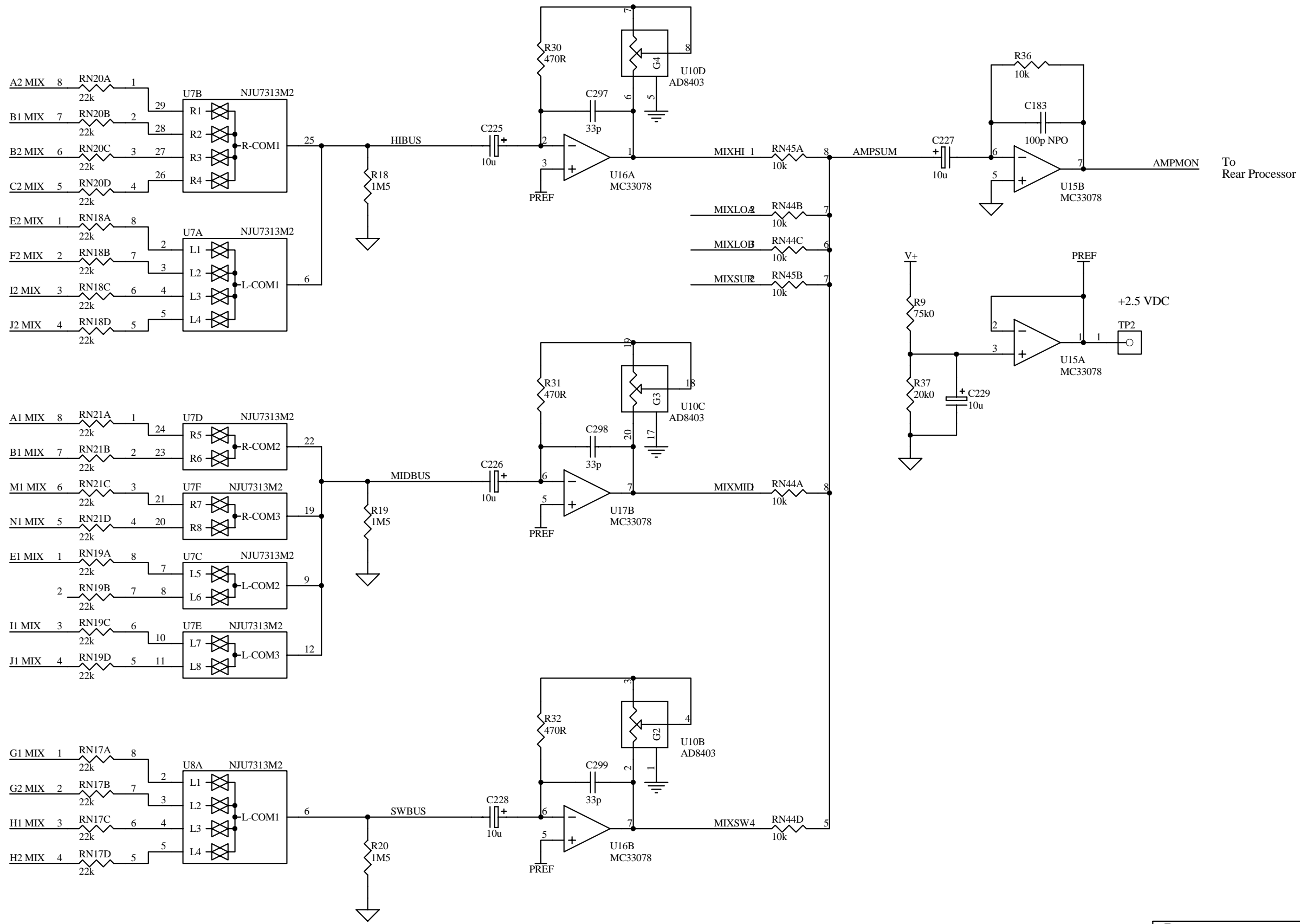


| Input (dBV)   | Output (V)  |
|---------------|-------------|
| +10.75        | 0.02        |
| ⋮             | ⋮           |
| 0.25 dB steps | 20 mV steps |
| -53.0         | 5.0         |

time constant = 35mS



THIS DOCUMENT CONTAINS PROPRIETARY INFORMATION WHICH IS THE PROPERTY OF QSC AUDIO PRODUCTS. THAT MAY NOT BE DISCLOSED, REPRODUCED OR USED WITHOUT EXPRESS WRITTEN CONSENT FROM QSC AUDIO PRODUCTS.

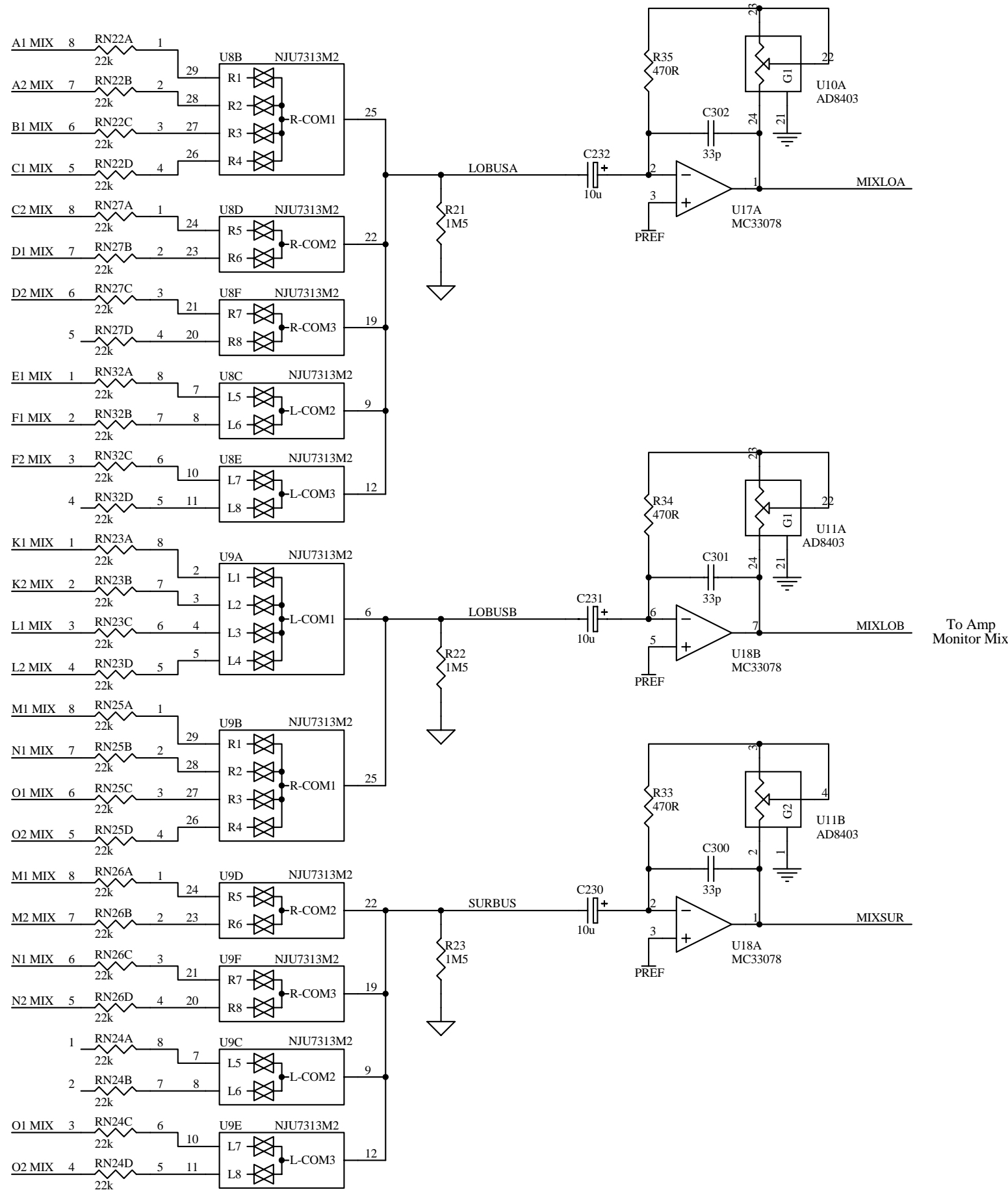


From Dataport VMON Inputs

To Rear Processor

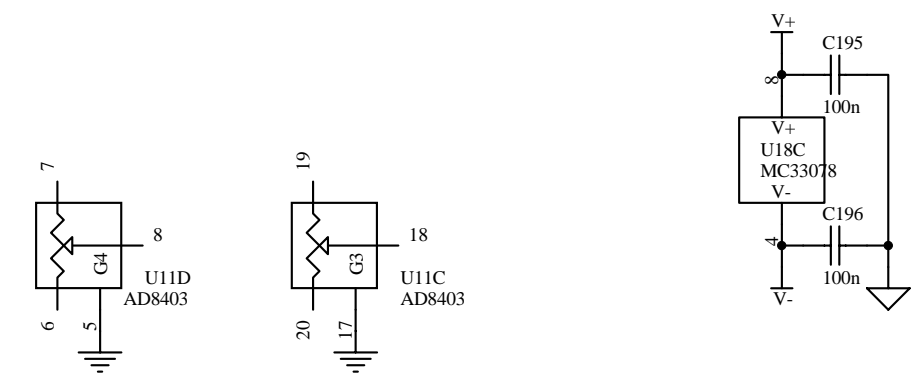
|  |                            |  |
|--|----------------------------|--|
|  |                            | 1675 MACARTHUR BLVD.<br>COSTA MESA, CA 92626 |
| <b>Title:</b> DCM-2/DCM-3 Monitor Board<br>Amp Monitor Mix (HI, MID, SW) |                            |  |
| <b>Size:</b> B   | <b>Number:</b> SH-00235-00 | <b>Rev:</b> A1                               |
| File: F:\DM\SH\SH00235\CUR_REV\313-0101.DDB - Documents\313-1001.SCH     |                            |  |
| Date: 10-Jan-2005  | Eng:                       | Sheet 10 of 13                               |

THIS DOCUMENT CONTAINS PROPRIETARY INFORMATION WHICH IS THE PROPERTY OF QSC AUDIO PRODUCTS. THAT MAY NOT BE DISCLOSED, REPRODUCED OR USED WITHOUT EXPRESS WRITTEN CONSENT FROM QSC AUDIO PRODUCTS.



From Dataport VMON Inputs

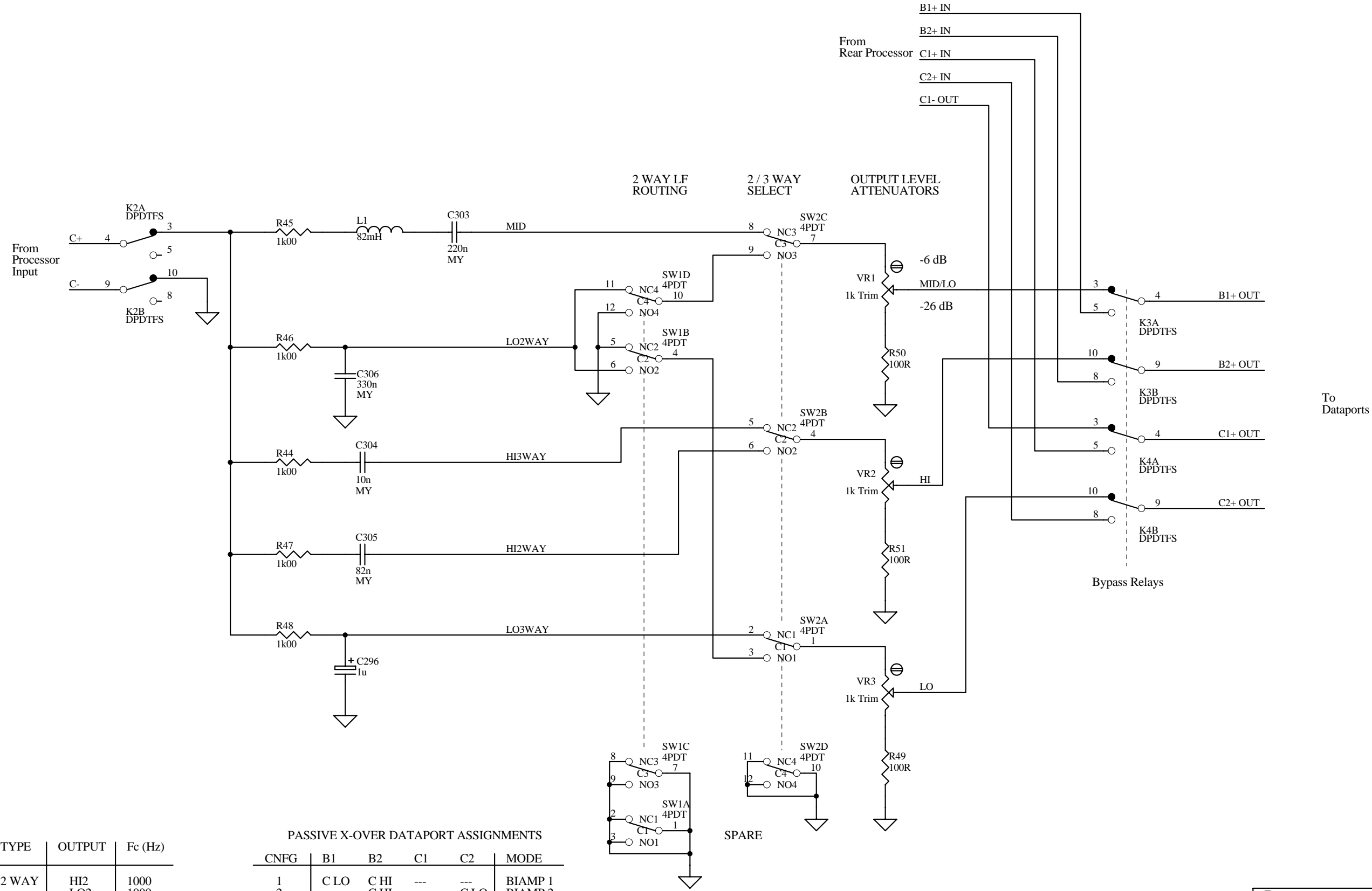
To Amp Monitor Mix



|   |  |
|---|--|
| <b>QSC AUDIO PRODUCTS, INC.</b> 1675 MACARTHUR BLVD. COSTA MESA, CA 92626 |  |
| Title: DCM-2/DCM-3 Monitor Board Amp Monitor Mix (LO, SUR)                |  |
| Size: <b>B</b>  | Number: <b>SH-00235-00</b> Rev <b>A1</b> |
| File: F:\DM\SH\SH00235\CUR_REV\313-0101.DDB - Documents\313-1101.SCH      |  |
| Date: 10-Jan-2005   | Eng: Sheet 11 of 13                      |



THIS DOCUMENT CONTAINS PROPRIETARY INFORMATION WHICH IS THE PROPERTY OF QSC AUDIO PRODUCTS. THAT MAY NOT BE DISCLOSED, REPRODUCED OR USED WITHOUT EXPRESS WRITTEN CONSENT FROM QSC AUDIO PRODUCTS.



PASSIVE X-OVER DATAPORT ASSIGNMENTS

| TYPE  | OUTPUT | Fc (Hz) |
|-------|--------|---------|
| 2 WAY | HI2    | 1000    |
|       | LO2    | 1000    |
| 3 WAY | HI3    | 5000    |
|       | MID3   | 5000    |
|       | MID3   | 300     |
|       | LO3    | 300     |

| CNFG | B1    | B2   | C1  | C2   | MODE    |
|------|-------|------|-----|------|---------|
| 1    | C LO  | C HI | --- | ---  | BIAMP 1 |
| 2    | ---   | C HI | --- | C LO | BIAMP 2 |
| 3    | C MID | C HI | --- | C LO | TRIAMP  |
| 4    | C MID | C HI | --- | C LO | TRIAMP  |
| 5    | C LO  | C HI | --- | ---  | BIAMP 1 |
| 6    | C MID | C HI | --- | C LO | TRIAMP  |
| 7    | C MID | C HI | --- | C LO | TRIAMP  |

**QSC AUDIO PRODUCTS, INC.** 1675 MACARTHUR BLVD. COSTA MESA, CA 92626

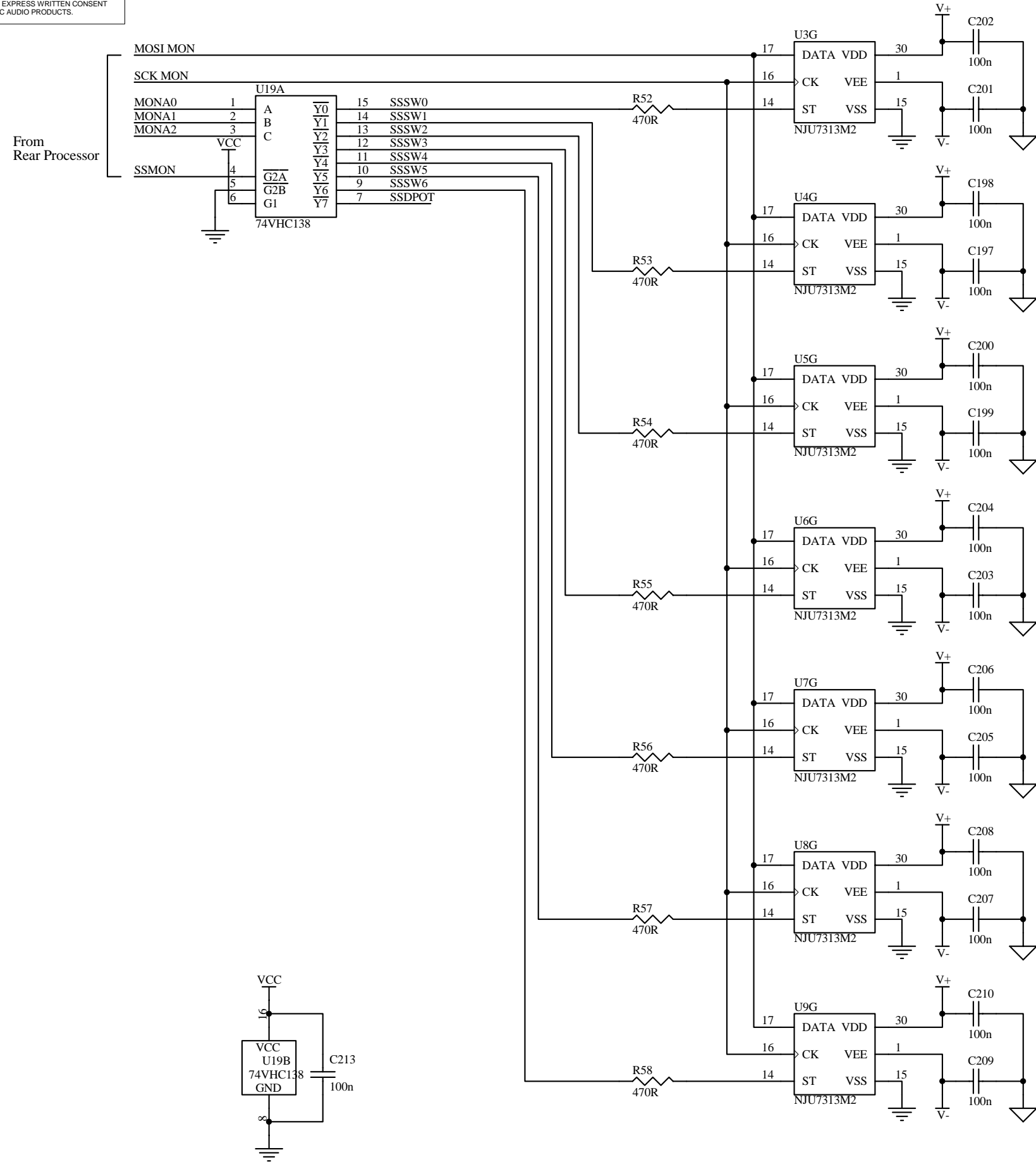
Title: **DCM-2/DCM-3 Monitor Board Center Channel Bypass**

Size: **B** Number: **SH-00235-00** Rev: **A1**

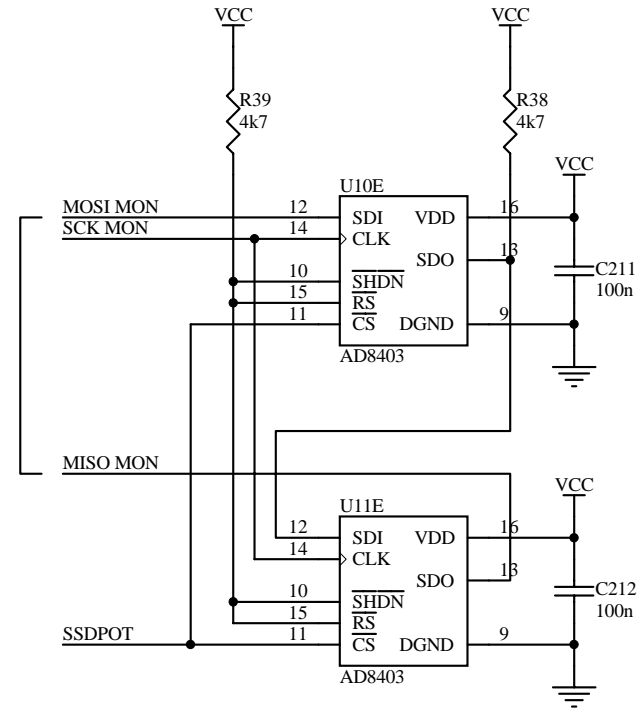
File: F:\DM\SH\SH00235\CUR\_REV\313-0101.DDB - Documents\313-1201.SCH

Date: 10-Jan-2005 Eng: Sheet 12 of 13

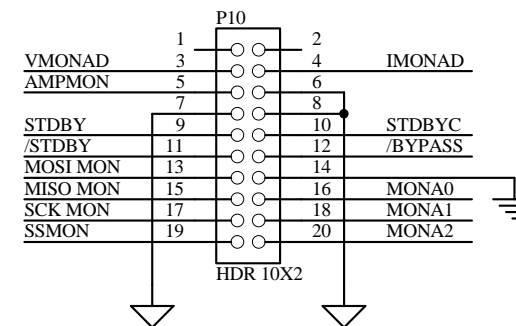
THIS DOCUMENT CONTAINS PROPRIETARY INFORMATION WHICH IS THE PROPERTY OF QSC AUDIO PRODUCTS. THAT MAY NOT BE DISCLOSED, REPRODUCED OR USED WITHOUT EXPRESS WRITTEN CONSENT FROM QSC AUDIO PRODUCTS.



To/From Rear Processor



Processor Board



THIS DOCUMENT CONTAINS PROPRIETARY INFORMATION WHICH IS THE PROPERTY OF QSC AUDIO PRODUCTS. THAT MAY NOT BE DISCLOSED, REPRODUCED OR USED WITHOUT EXPRESS WRITTEN CONSENT FROM QSC AUDIO PRODUCTS.

| REV | REVISION                           | EFF. DATE | CHK | APPROVED DATE |
|-----|------------------------------------|-----------|-----|---------------|
| A   | PRODUCTION RELEASE PER ECO 5662 AA | 4-11-03   |     |               |
| A1  | REVISED PER ECO 6434 AA            | 01-07-05  |     | DD            |

L/C ADC  
314-0200.SCH



Dataport I DAC  
314-1100.SCH



Glue Logic and RS232  
314-2000.SCH



R/SW ADC  
314-0300.SCH



Dataport J DAC  
314-1200.SCH



DSP 0  
314-2100.SCH



LC/RC ADC  
314-0400.SCH



Dataport K DAC  
314-1300.SCH



DSP 1  
314-2200.SCH



Dataport A DAC  
314-0500.SCH



Dataport M  
314-1400.SCH



DSP 2  
314-2300.SCH



Dataport B DAC  
314-0600.SCH



Dataport N  
314-1500.SCH



Power Supply & Surround Inputs  
314-2400.SCH



Dataport C DAC  
314-0700.SCH



Dataport O  
314-1600.SCH



I/O  
314-2500.SCH



Dataport E DAC  
314-0800.SCH



Proc Monitor and HI Mix  
314-1700.SCH



Dataport F DAC  
314-0900.SCH



Switch Control and Aux Power  
314-1800.SCH



Dataport G DAC  
314-1000.SCH



Microcontroller  
314-1900.SCH



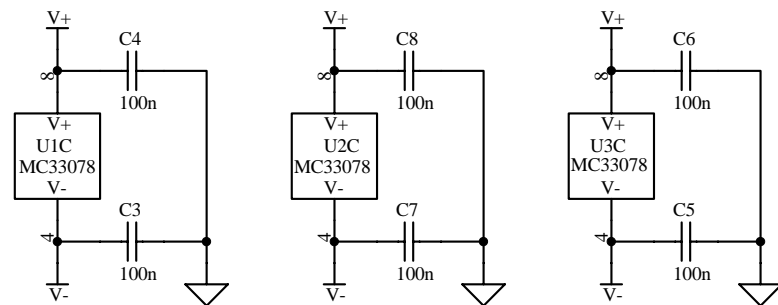
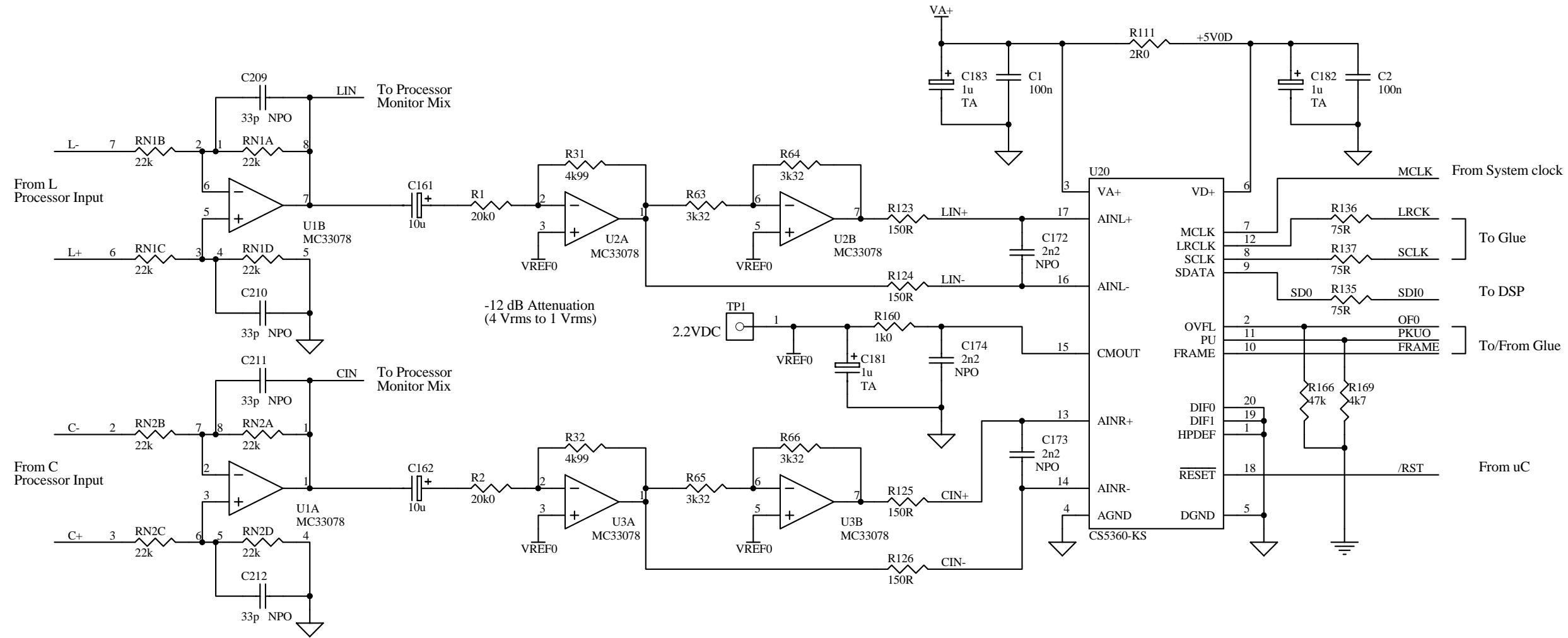
UNLESS OTHERWISE NOTED:

- 1.0 All resistor values are expressed in Ohms.
- 1.1 All resistors are 1/4 Watt types with their tolerance and material coded into their value.
 

|                        |                |                 |
|------------------------|----------------|-----------------|
| VALUE                  | 1%, Metal Film | 5%, Carbon Film |
| 0 Ohm to 0.99 Ohms     | 0R to 0R976    | 0R to 0R91      |
| 1 Ohm to 99 Ohms       | 1R00 to 97R6   | 1R0 to 91R      |
| 100 Ohms to 999 Ohms   | 100R0 to 976R0 | 100R to 910R    |
| 1k Ohm to 9k9 Ohms     | 1k00 to 9k76   | 1k0 to 9k1      |
| 10k Ohms to 99k Ohms   | 10k0 to 97k6   | 10k to 91k      |
| 100k Ohms to 999k Ohms | 100k0 to 976k0 | 100k to 910k    |
| 1M Ohm to 99M Ohms     | 1M00 to 97M6   | 1M0 to 91M      |
2. All resistor networks are 2%, 1/8 Watt types with their values expressed in Ohms.
- 3.0 All capacitor values are expressed in Farads
- 3.1 All 100n bypass capacitors are 20%, 50 Volt, Z5U, Ceramic Monolythic types. Their Reference Designators are coded as CVXXX where XXX is the associated IC number and V is the associated power supply voltage. Values for V are: 9 = +5, 8 = -5, 7 = +15, 6 = -15, 5 = +12, 4 = -12.
- 3.2 All non-electrolytic capacitors are 10%, 50 Volt, X7R, Ceramic Monolythic types.
- 3.3 All NPO capacitors are 5%, 50 Volt, Ceramic Monolythic types.
- 3.4 All MY capacitors are 5%, 50 Volt, Metalized Polyester types.
- 3.5 All PP capacitors are 5%, 50 Volt, Metalized Polypropylene types.
- 3.6 All PC capacitors are 5%, 50 Volt, Metalized Polycarbonate types.
- 3.7 All electrolytic capacitors are 20%, 16 Volt (or higher), Aluminum Electrolyte types.
- 3.8 All TA capacitors are 20%, 16 Volt (or higher), Tantalum Electrolyte types.
4. For complete information on any component please see the associated bill of materials.
5. All net names preceded by a / are active low signals.
6. IC power supply connections are called out in a table at the bottom of the page(s) the IC appears on. Only non-standard or unique power supply connections will be shown on the schematic sheet.
7. V+ = +12, V- = -12, VCC = +5, VEE = -5

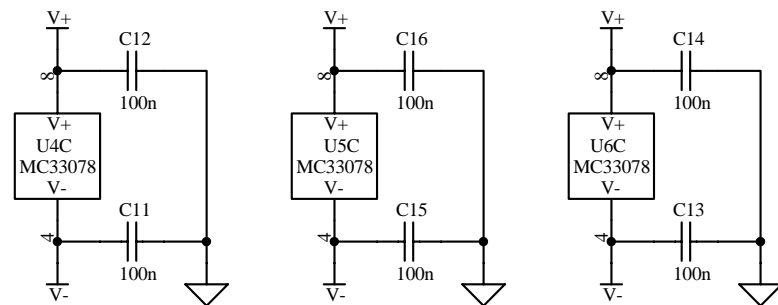
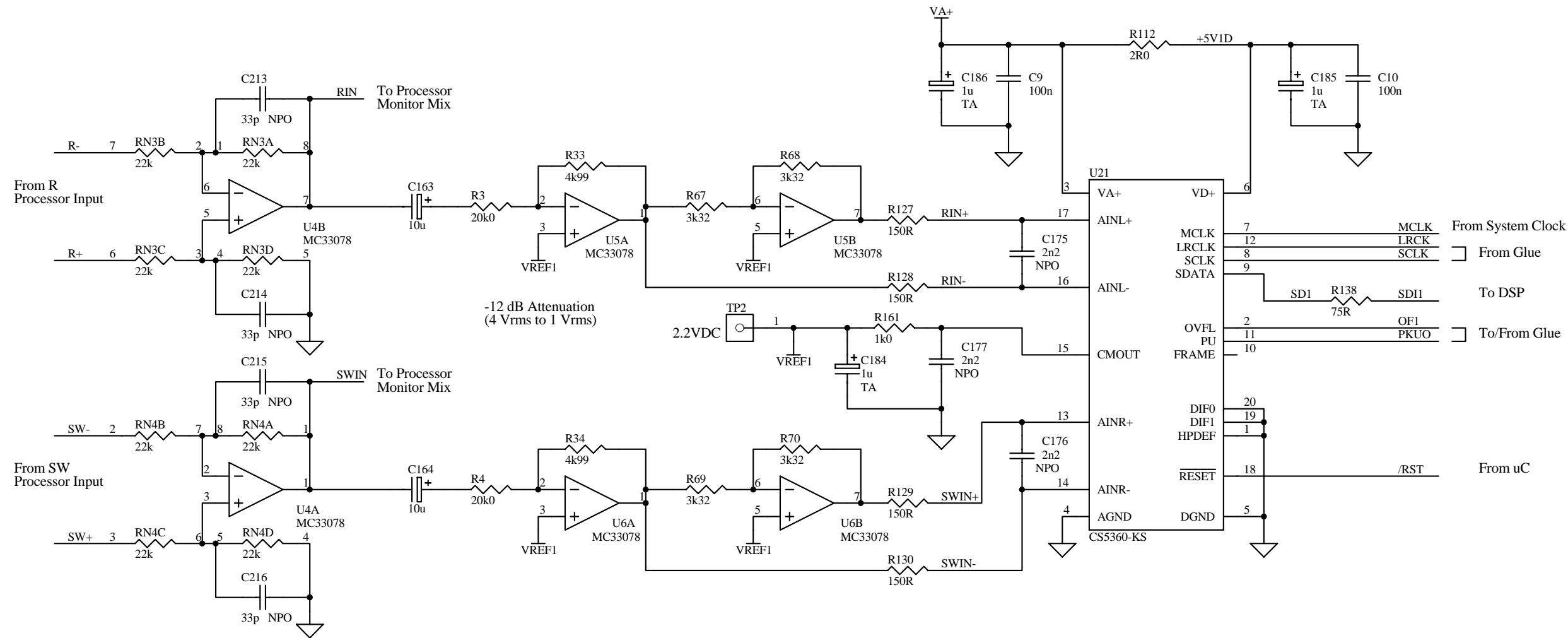
|   |   |
|---|---|
|  <b>AUDIO PRODUCTS, INC.</b> 1675 MACARTHUR BLVD.<br>Error : QSC\LOGO.BMP file not found. COSTA MESA, CA 92626 |   |
| Title: Digital Cinema Monitor DCM-2/DCM-3 Processor Board   |   |
| Size: <b>B</b>  | Number: <b>SH-000236-00</b> Rev <b>A1</b> |
| File: F:\DM\SH\SH000236\CUR_REV\314-0100.DDB - Documents\314-0100.PRJ   |   |
| Date: 10-Jan-2005   | Eng: Sheet 1 of 25                        |

THIS DOCUMENT CONTAINS PROPRIETARY INFORMATION WHICH IS THE PROPERTY OF QSC AUDIO PRODUCTS. THAT MAY NOT BE DISCLOSED, REPRODUCED OR USED WITHOUT EXPRESS WRITTEN CONSENT FROM QSC AUDIO PRODUCTS.



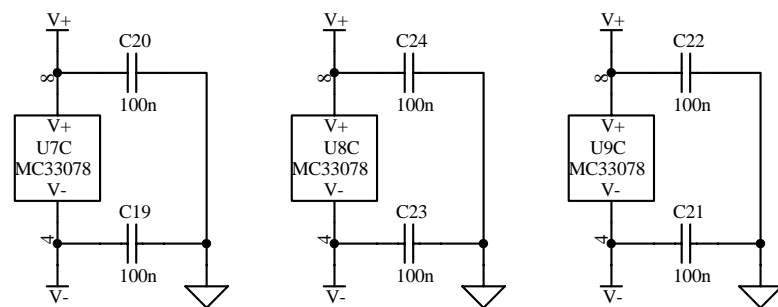
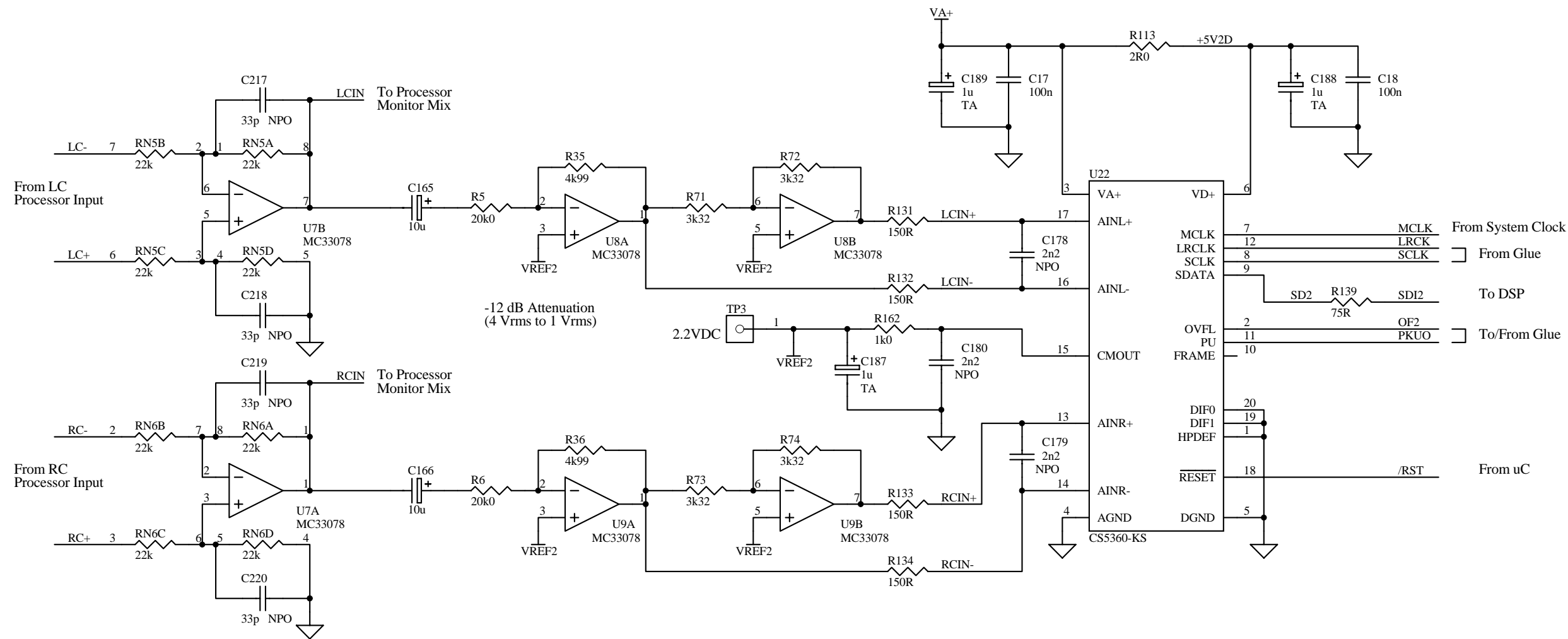
|   |                            |
|---|----------------------------|
| <b>AUDIO PRODUCTS, INC.</b> 1675 MACARTHUR BLVD.<br>COSTA MESA, CA 92626    |                            |
| Title: <b>DCM-2/DCM-3 Processor Board</b><br>Input Buffers & A/D Converters |                            |
| Size: <b>B</b>  | Number: <b>SH-00236-00</b> |
| File: F:\DM\SH\SH00236\CUR_REV\314-0100.DDB - Documents\314-0200.SCH        |                            |
| Date: 10-Jan-2005   | Eng:                       |
| Sheet 2 of 25   |                            |

THIS DOCUMENT CONTAINS PROPRIETARY INFORMATION WHICH IS THE PROPERTY OF QSC AUDIO PRODUCTS. THAT MAY NOT BE DISCLOSED, REPRODUCED OR USED WITHOUT EXPRESS WRITTEN CONSENT FROM QSC AUDIO PRODUCTS.



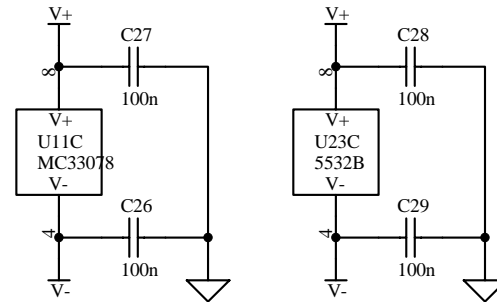
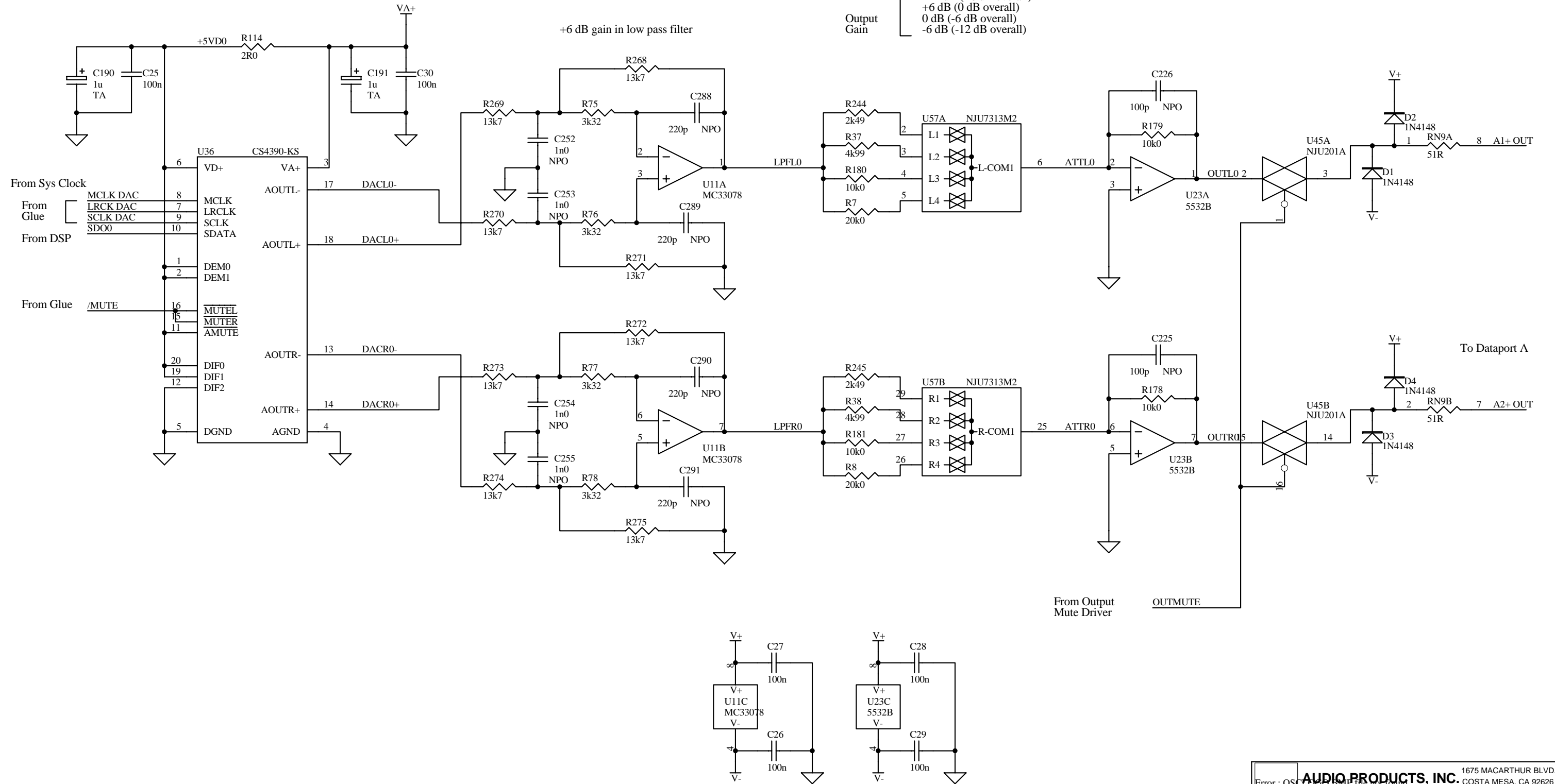
|   |                     |  |
|---|---------------------|--|
|  <b>AUDIO PRODUCTS, INC.</b> |                     | 1675 MACARTHUR BLVD.<br>COSTA MESA, CA 92626 |
| Error: QSCLOGO.BMP file not found.  |                     |  |
| <b>DCM-2/DCM-3 Processor Board</b><br>Input Buffers & A/D Converters  |                     |  |
| Title:  | <b>SH-000236-00</b> |  |
| Size: <b>B</b>  | Number:             | Rev <b>A1</b>                                |
| File: F:\DM\SH\SH000236\CUR_REV\314-0100.DDB - Documents\314-0300.SCH   |                     |  |
| Date: 10-Jan-2005   | Eng:                | Sheet 3 of 25                                |

THIS DOCUMENT CONTAINS PROPRIETARY INFORMATION WHICH IS THE PROPERTY OF QSC AUDIO PRODUCTS. THAT MAY NOT BE DISCLOSED, REPRODUCED OR USED WITHOUT EXPRESS WRITTEN CONSENT FROM QSC AUDIO PRODUCTS.



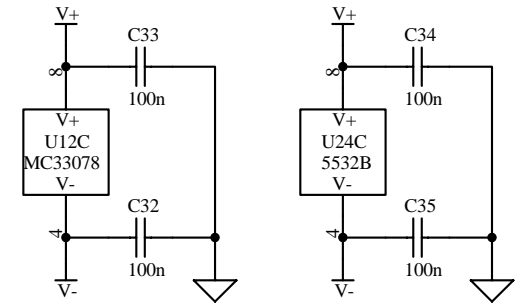
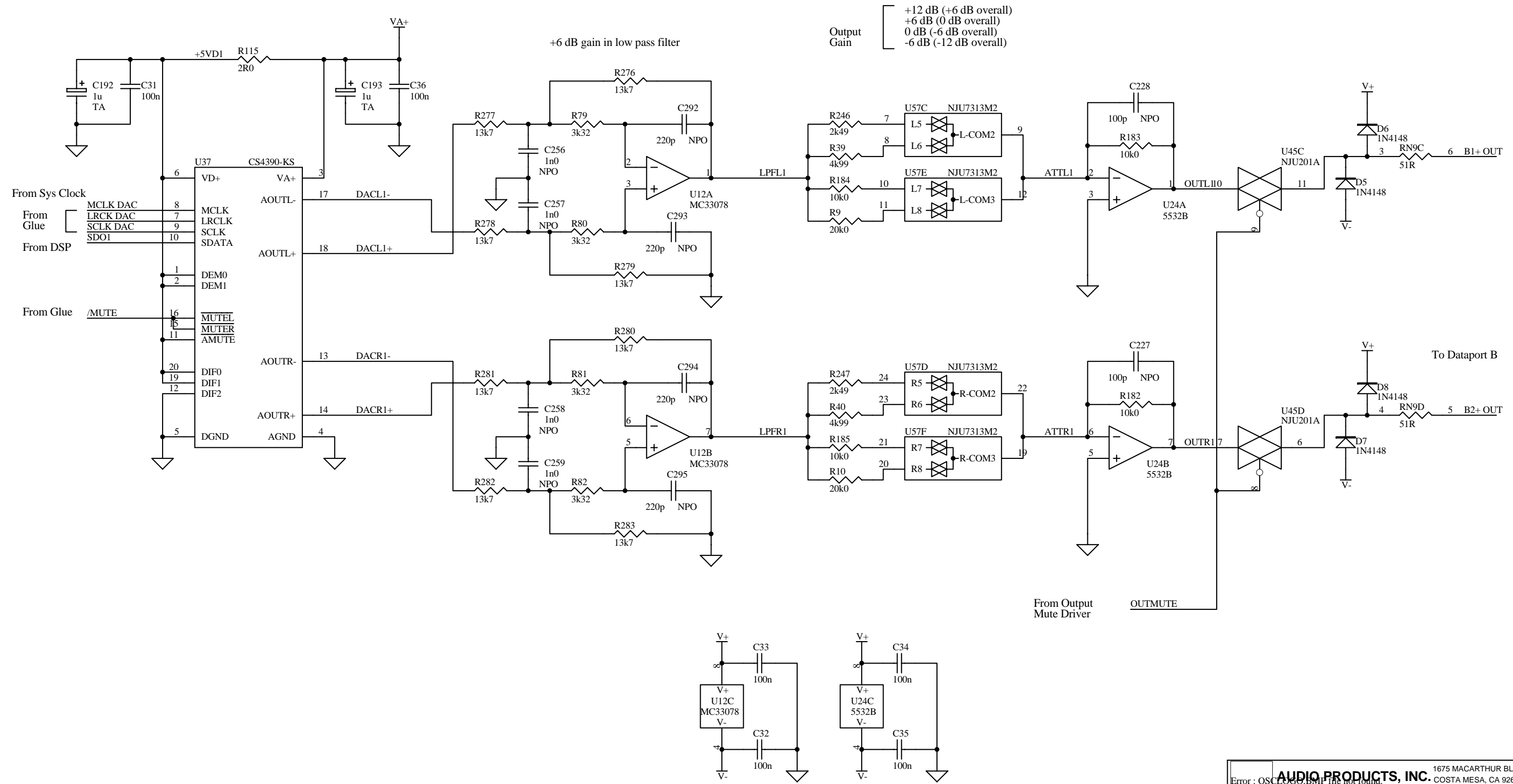
|   |                            |   |  |
|---|----------------------------|---|--|
|  <b>AUDIO PRODUCTS, INC.</b> |                            | 1675 MACARTHUR BLVD.<br>COSTA MESA, CA 92626                                |  |
|   |                            | Title: <b>DCM-2/DCM-3 Processor Board</b><br>Input Buffers & A/D Converters |  |
| Size: <b>B</b>  | Number: <b>SH-00236-00</b> | Rev: <b>A1</b>  |  |
| File: F:\DM\SH\SH00236\CUR_REV\314-0100.DDB - Documents\314-0400.SCH  |                            |   |  |
| Date: 10-Jan-2005   | Eng:                       | Sheet 4 of 25   |  |

THIS DOCUMENT CONTAINS PROPRIETARY INFORMATION WHICH IS THE PROPERTY OF QSC AUDIO PRODUCTS. THAT MAY NOT BE DISCLOSED, REPRODUCED OR USED WITHOUT EXPRESS WRITTEN CONSENT FROM QSC AUDIO PRODUCTS.



|  |                            |  |  |
|--|----------------------------|--|--|
| <b>AUDIO PRODUCTS, INC.</b>  |                            | 1675 MACARTHUR BLVD.<br>COSTA MESA, CA 92626 |  |
| Title: <b>DCM-2/DCM-3 Processor Board</b><br>Dataport A DAC          |                            |  |  |
| Size: <b>B</b>   | Number: <b>SH-00236-00</b> | Rev <b>A1</b>                                |  |
| File: F:\DM\SH\SH00236\CUR_REV\314-0100.DDB - Documents\314-0500.SCH |                            |  |  |
| Date: 10-Jan-2005  | Eng:                       | Sheet 5 of 25                                |  |

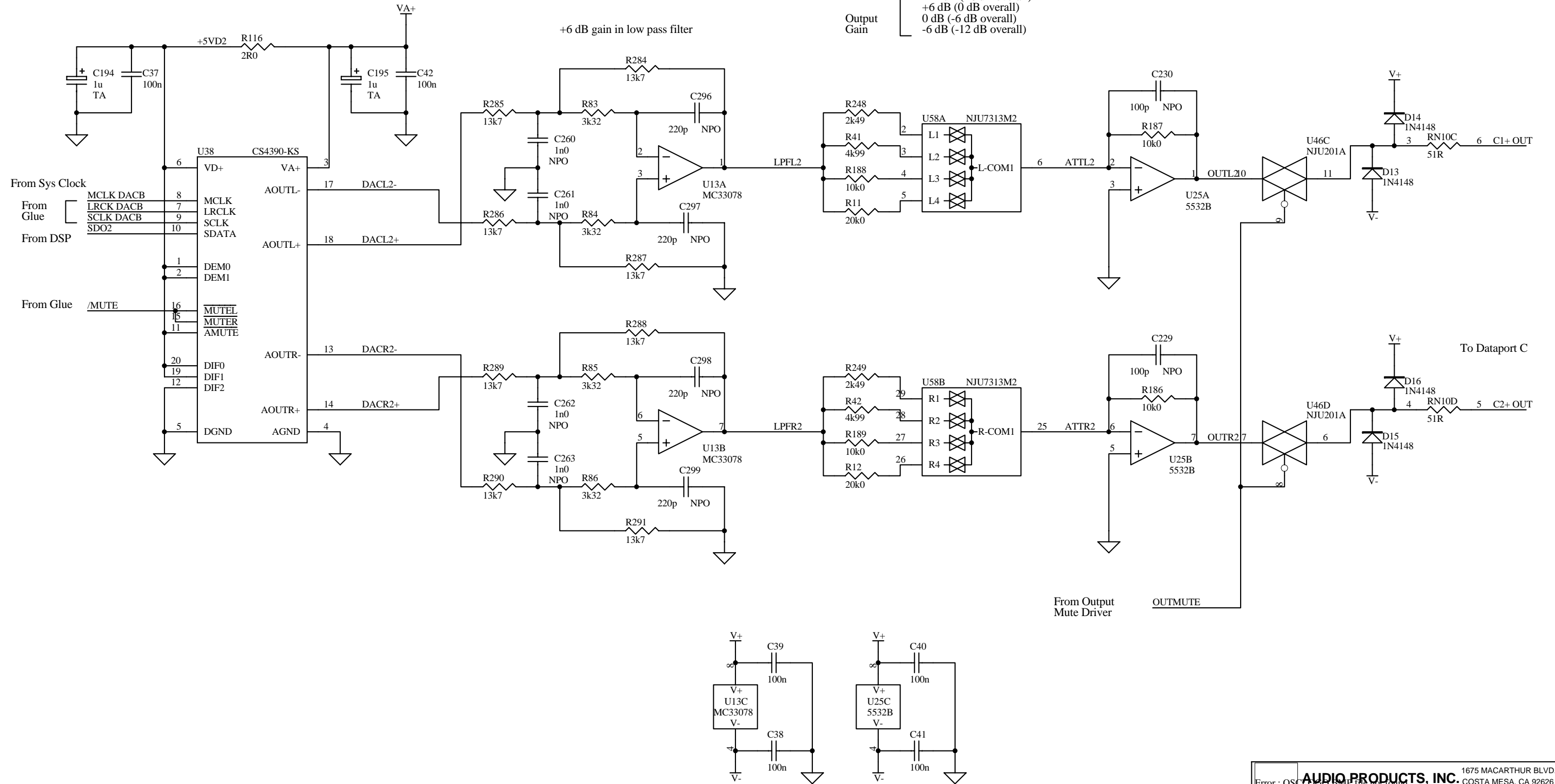
THIS DOCUMENT CONTAINS PROPRIETARY INFORMATION WHICH IS THE PROPERTY OF QSC AUDIO PRODUCTS. THAT MAY NOT BE DISCLOSED, REPRODUCED OR USED WITHOUT EXPRESS WRITTEN CONSENT FROM QSC AUDIO PRODUCTS.



|   |                            |
|---|----------------------------|
| <b>AUDIO PRODUCTS, INC.</b> 1675 MACARTHUR BLVD.<br><small>Error: QSC Logo BMP file not found.</small> COSTA MESA, CA 92626 |                            |
| <b>Title:</b> DCM-2/DCM-3 Processor Board<br>Dataport B DAC   |                            |
| <b>Size:</b> B  | <b>Number:</b> SH-00236-00 |
| <small>File: F:\DM\SH\SH00236\CUR_REV\314-0100.DDB - Documents\314-0600.SCH</small>   |                            |
| <small>Date:</small> 10-Jan-2005  | <small>Eng:</small>        |
| Sheet 6 of 25   |                            |

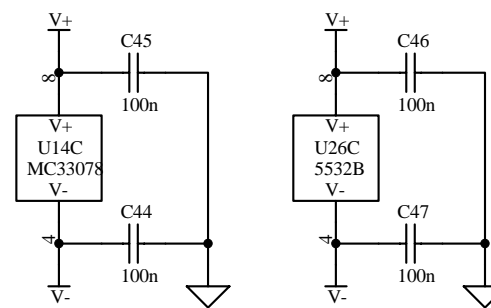
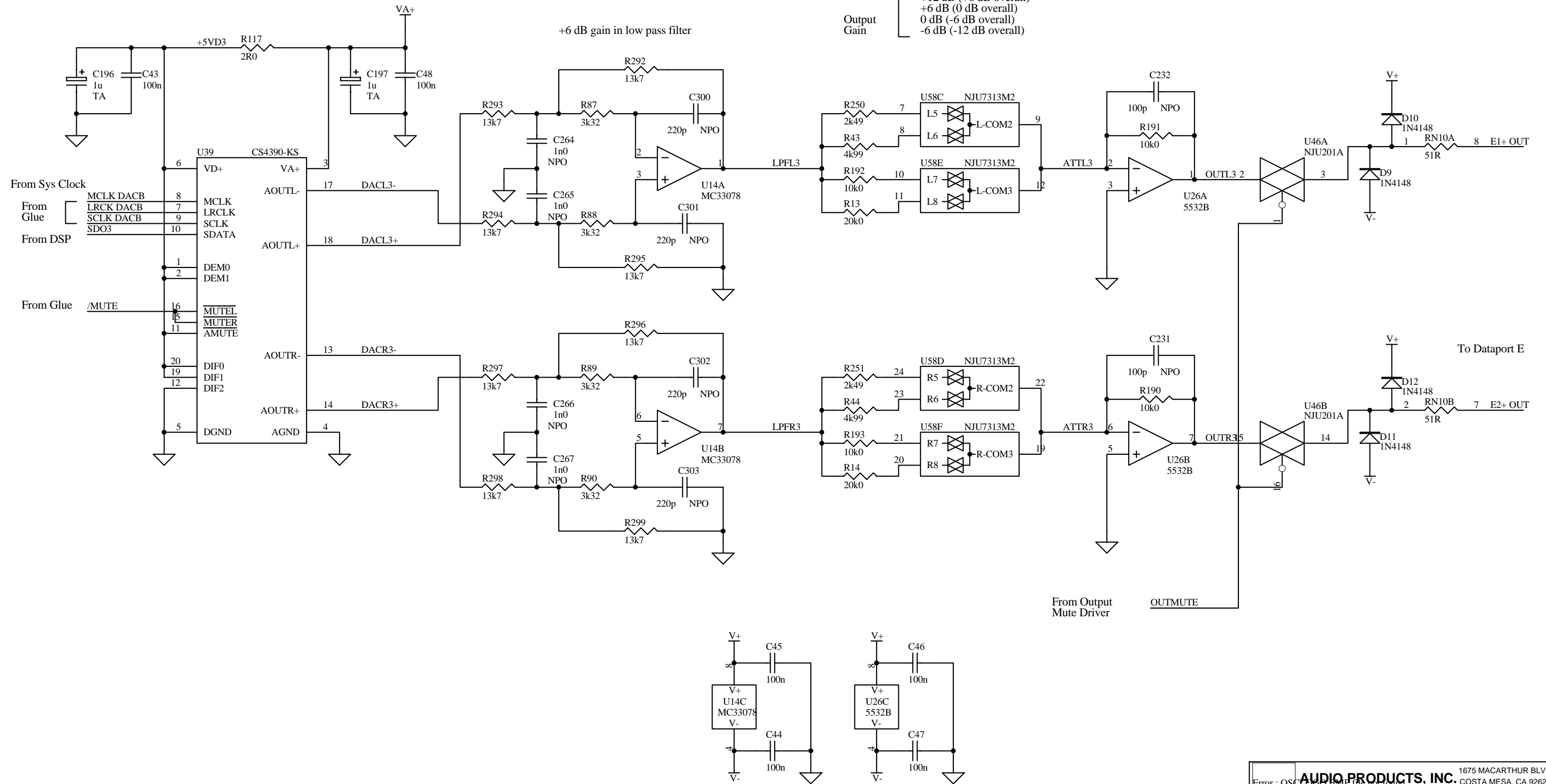


THIS DOCUMENT CONTAINS PROPRIETARY INFORMATION WHICH IS THE PROPERTY OF QSC AUDIO PRODUCTS. THAT MAY NOT BE DISCLOSED, REPRODUCED OR USED WITHOUT EXPRESS WRITTEN CONSENT FROM QSC AUDIO PRODUCTS.



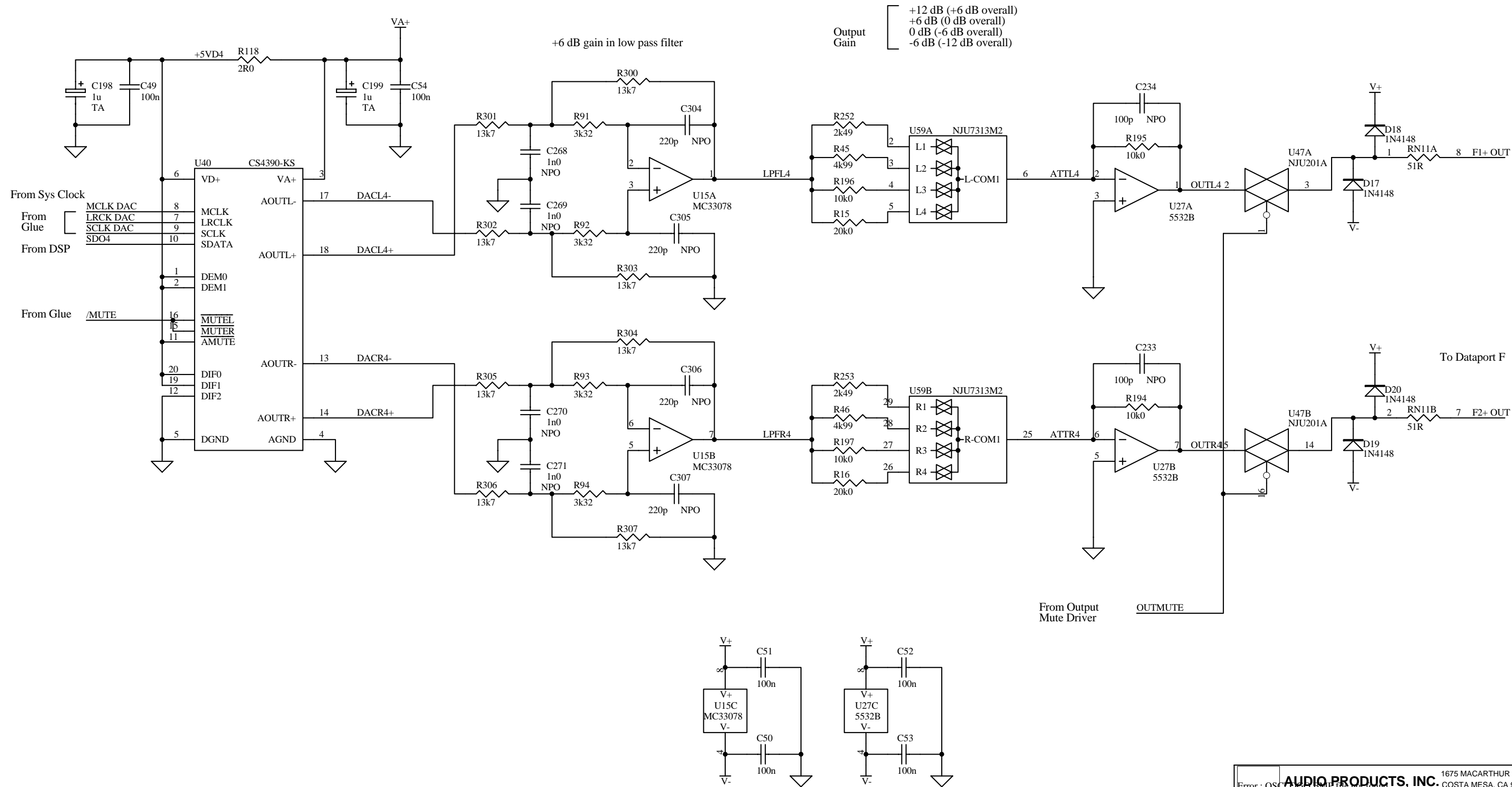
|   |                            |
|---|----------------------------|
| <b>AUDIO PRODUCTS, INC.</b> 1675 MACARTHUR BLVD.<br>COSTA MESA, CA 92626    |                            |
| <b>Title:</b> DCM-2/DCM-3 Processor Board<br>Dataport C DAC                 |                            |
| <b>Size:</b> B  | <b>Number:</b> SH-00236-00 |
| <b>File:</b> F:\DM\SH\SH00236\CUR_REV\314-0100.DDB - Documents\314-0700.SCH |                            |
| <b>Date:</b> 10-Jan-2005  | <b>Eng:</b>                |
| Sheet 7 of 25   |                            |

THIS DOCUMENT CONTAINS PROPRIETARY INFORMATION WHICH IS THE PROPERTY OF QSC AUDIO PRODUCTS. THAT MAY NOT BE DISCLOSED, REPRODUCED OR USED WITHOUT EXPRESS WRITTEN CONSENT FROM QSC AUDIO PRODUCTS.



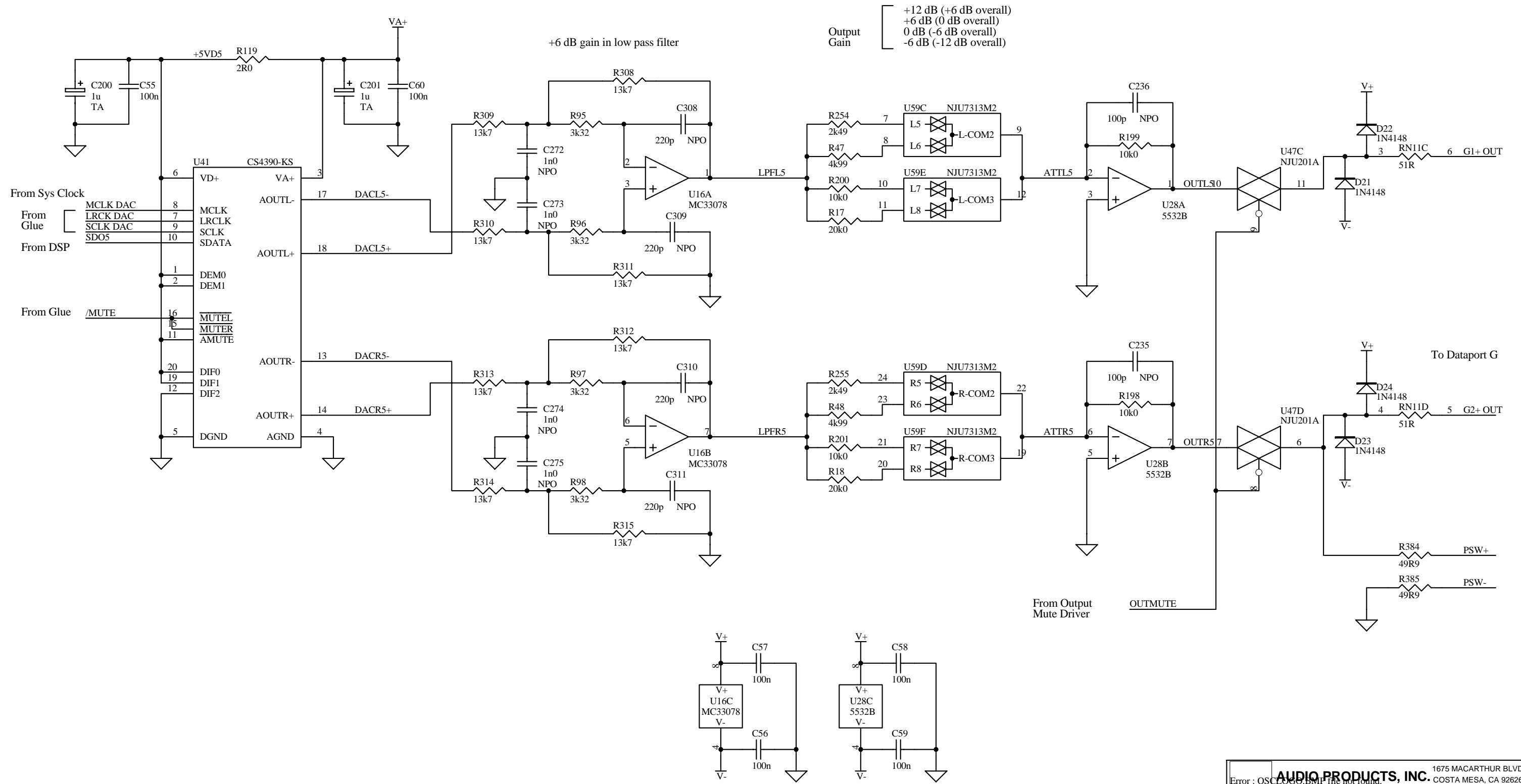
|  |                            |  |  |
|--|----------------------------|--|--|
| <b>AUDIO PRODUCTS, INC.</b>  |                            | 1675 MACARTHUR BLVD.<br>COSTA MESA, CA 92626 |  |
| Title: <b>DCM-2/DCM-3 Processor Board</b><br>Dataport E DAC          |                            |  |  |
| Size: <b>B</b>   | Number: <b>SH-00236-00</b> | Rev <b>A1</b>                                |  |
| File: F:\DM\SH\SH00236\CUR_REV\314-0100.DDB - Documents\314-0800.SCH |                            |  |  |
| Date: 10-Jan-2005  | Eng:                       | Sheet 8 of 25                                |  |

THIS DOCUMENT CONTAINS PROPRIETARY INFORMATION WHICH IS THE PROPERTY OF QSC AUDIO PRODUCTS. THAT MAY NOT BE DISCLOSED, REPRODUCED OR USED WITHOUT EXPRESS WRITTEN CONSENT FROM QSC AUDIO PRODUCTS.



|   |                             |  |  |
|---|-----------------------------|--|--|
| <b>AUDIO PRODUCTS, INC.</b>   |                             | 1675 MACARTHUR BLVD.<br>COSTA MESA, CA 92626 |  |
| Title: <b>DCM-2/DCM-3 Processor Board<br/>Dataport F DAC</b>          |                             |  |  |
| Size: <b>B</b>  | Number: <b>SH-000236-00</b> | Rev <b>A1</b>                                |  |
| File: F:\DM\SH\SH000236\CUR_REV\314-0100.DDB - Documents\314-0900.SCH |                             |  |  |
| Date: 10-Jan-2005   | Eng:                        | Sheet 9 of 25                                |  |

THIS DOCUMENT CONTAINS PROPRIETARY INFORMATION WHICH IS THE PROPERTY OF QSC AUDIO PRODUCTS. THAT MAY NOT BE DISCLOSED, REPRODUCED OR USED WITHOUT EXPRESS WRITTEN CONSENT FROM QSC AUDIO PRODUCTS.



Output Gain  
 +12 dB (+6 dB overall)  
 +6 dB (0 dB overall)  
 0 dB (-6 dB overall)  
 -6 dB (-12 dB overall)

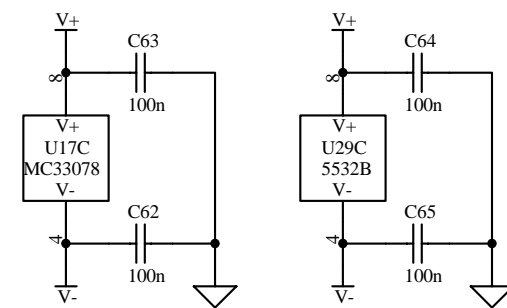
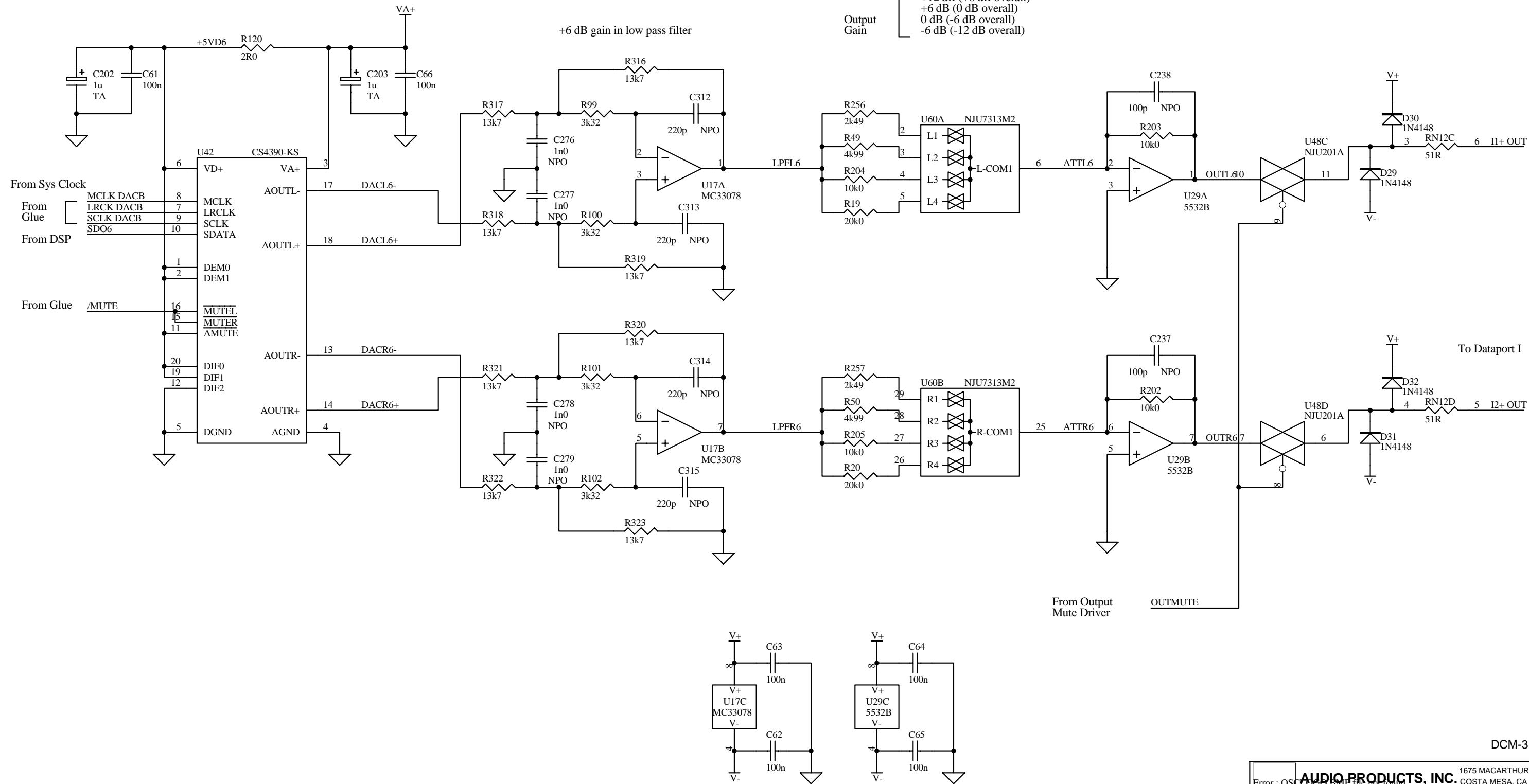
+6 dB gain in low pass filter

To Dataport G

From Output Mute Driver

|   |  |
|---|--|
| <b>AUDIO PRODUCTS, INC.</b> 1675 MACARTHUR BLVD.<br><small>Error: QSC\LOGO\BMP file not found.</small> COSTA MESA, CA 92626 |  |
| Title: <b>DCM-2/DCM-3 Processor Board</b><br><b>Dataport G DAC</b>  |  |
| Size: <b>B</b>  | Number: <b>SH-00236-00</b> Rev <b>A1</b> |
| File: F:\DM\SH\SH00236\CUR_REV\314-0100.DDB - Documents\314-1000.SCH  |  |
| Date: 10-Jan-2005   | Eng: Sheet 10 of 25                      |

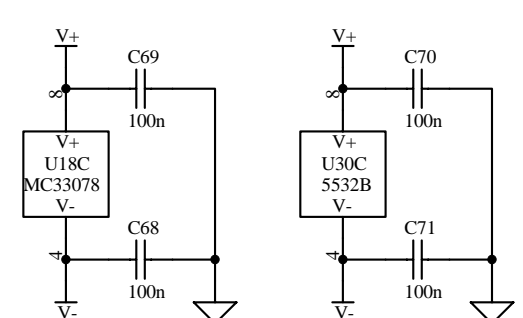
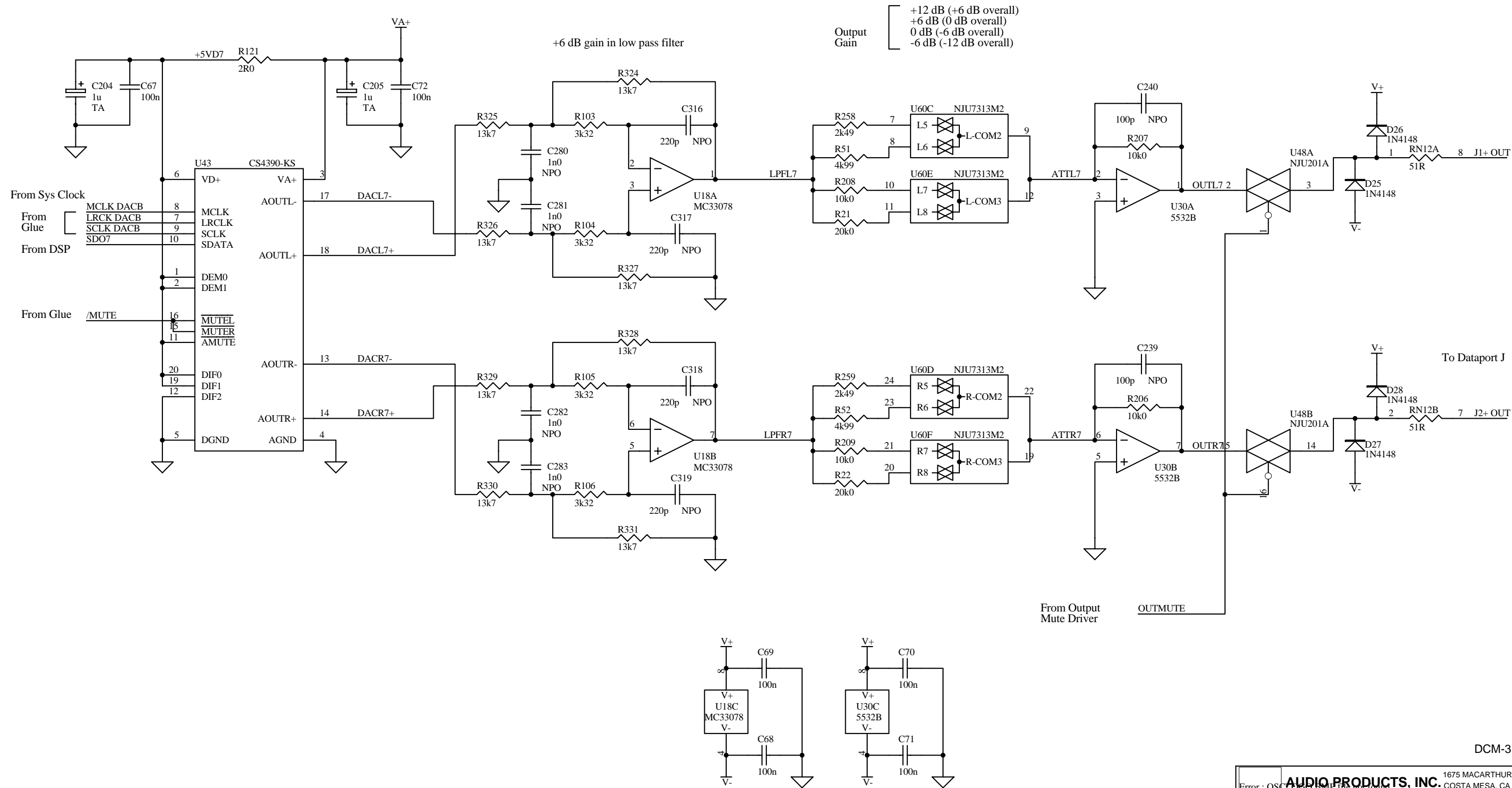
THIS DOCUMENT CONTAINS PROPRIETARY INFORMATION WHICH IS THE PROPERTY OF QSC AUDIO PRODUCTS. THAT MAY NOT BE DISCLOSED, REPRODUCED OR USED WITHOUT EXPRESS WRITTEN CONSENT FROM QSC AUDIO PRODUCTS.



DCM-3 ONLY

|  |                            |
|--|----------------------------|
| <b>AUDIO PRODUCTS, INC.</b> 1675 MACARTHUR BLVD.<br>COSTA MESA, CA 92626 |                            |
| Title: <b>DCM-2/DCM-3 Processor Board</b><br>Dataport I DAC              |                            |
| Size: <b>B</b>   | Number: <b>SH-00236-00</b> |
| File: F:\DM\SH\SH00236\CUR_REV314-0100.DDB - Documents\314-1100.SCH      |                            |
| Date: 10-Jan-2005  | Eng:                       |
| Sheet 11 of 25   |                            |

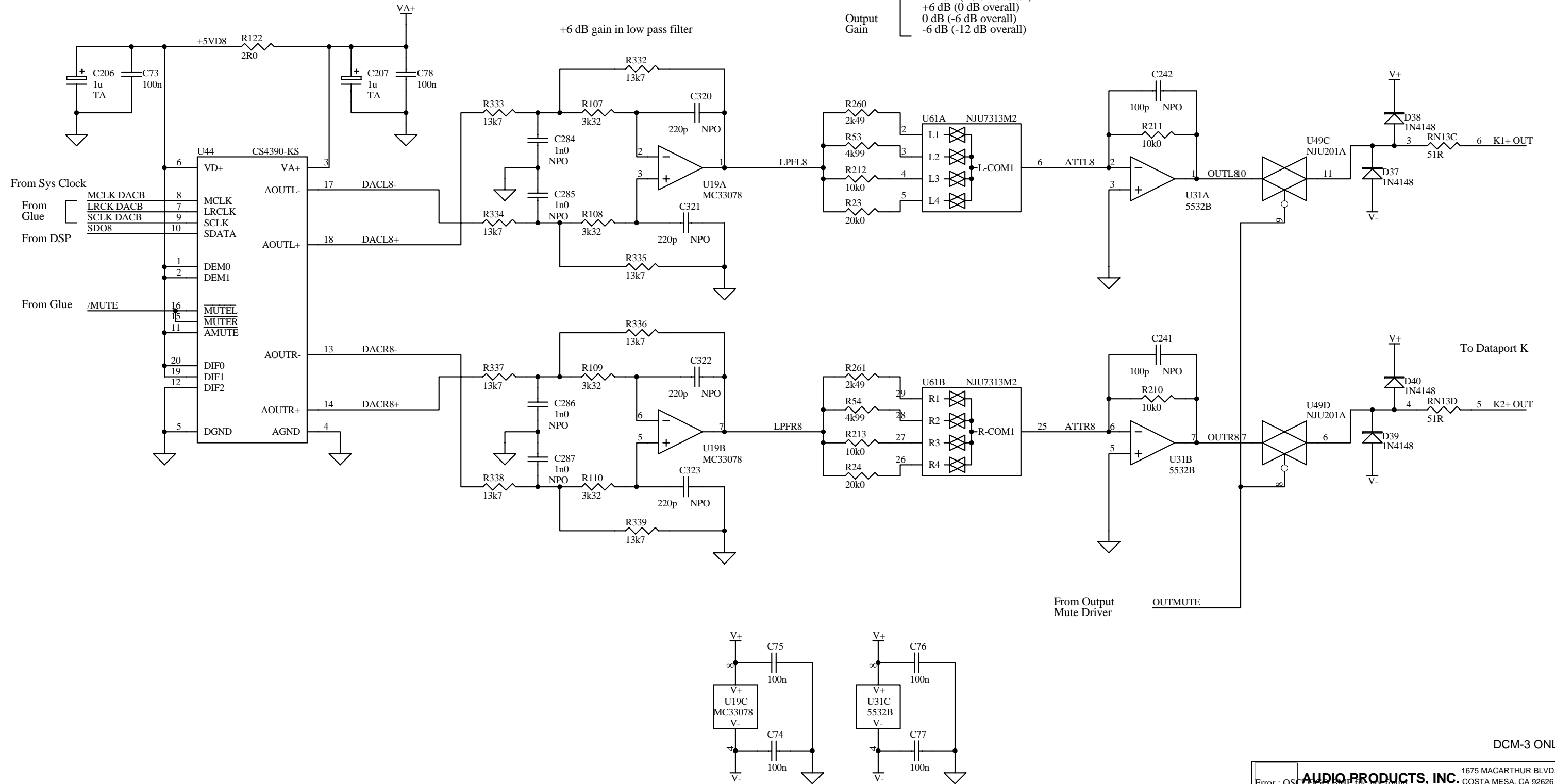
THIS DOCUMENT CONTAINS PROPRIETARY INFORMATION WHICH IS THE PROPERTY OF QSC AUDIO PRODUCTS. THAT MAY NOT BE DISCLOSED, REPRODUCED OR USED WITHOUT EXPRESS WRITTEN CONSENT FROM QSC AUDIO PRODUCTS.



DCM-3 ONLY

|   |                            |
|---|----------------------------|
| <b>AUDIO PRODUCTS, INC.</b> 1675 MACARTHUR BLVD.<br><small>Error: QSC LOGO.BMP file not found.</small> COSTA MESA, CA 92626 |                            |
| <b>Title:</b> DCM-2/DCM-3 Processor Board<br>Dataport J DAC   |                            |
| <b>Size:</b> B  | <b>Number:</b> SH-00236-00 |
| <small>File: F:\DM\SH\SH00236\CUR_REV\314-0100.DDB - Documents\314-1200.SCH</small>   |                            |
| <small>Date:</small> 10-Jan-2005  | <small>Eng:</small>        |
| Sheet 12 of 25  |                            |

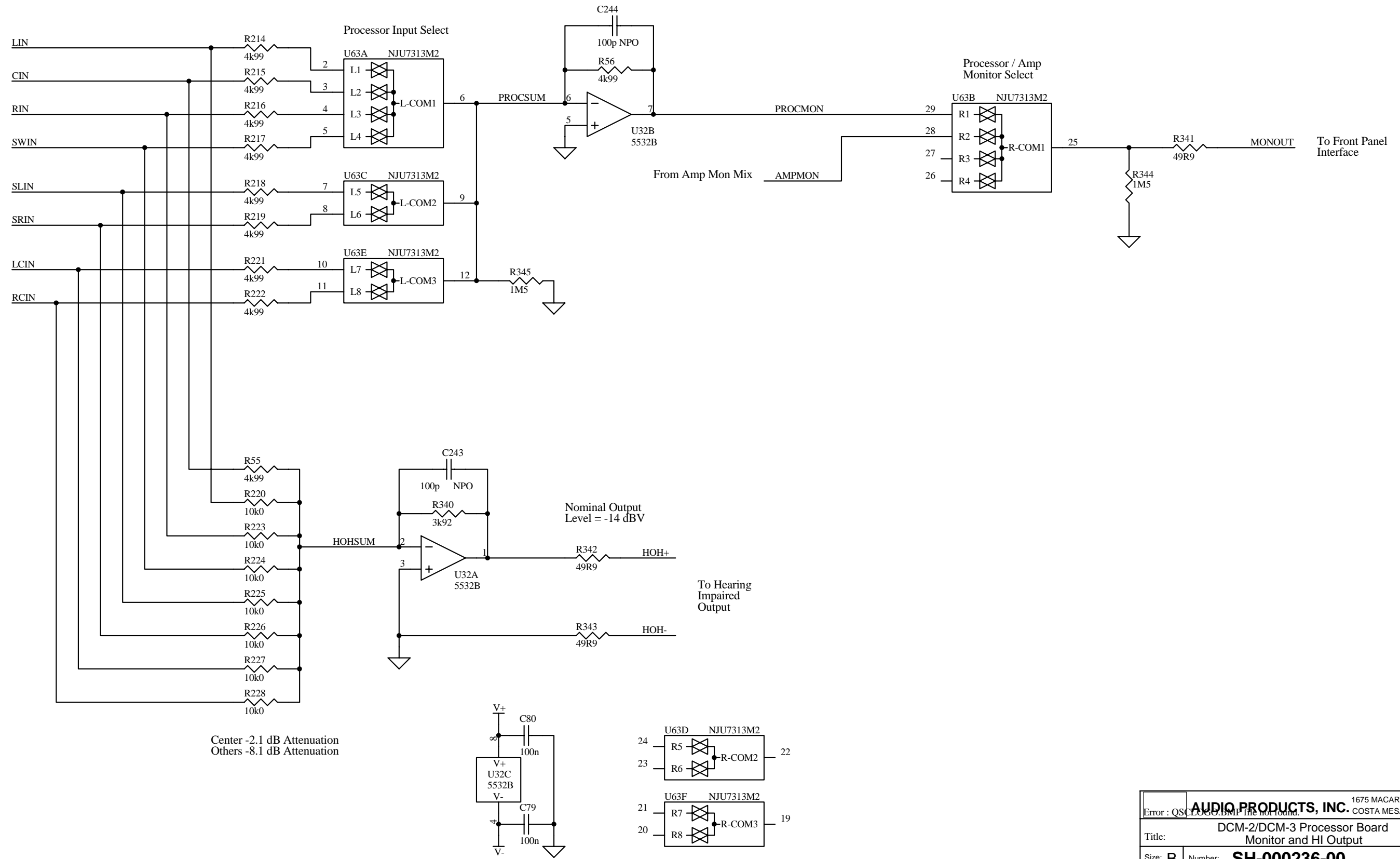
THIS DOCUMENT CONTAINS PROPRIETARY INFORMATION WHICH IS THE PROPERTY OF QSC AUDIO PRODUCTS. THAT MAY NOT BE DISCLOSED, REPRODUCED OR USED WITHOUT EXPRESS WRITTEN CONSENT FROM QSC AUDIO PRODUCTS.



DCM-3 ONLY

|  |                            |  |  |
|--|----------------------------|--|--|
| Error: QSC Logo BMP file not found.                                  |                            | 1675 MACARTHUR BLVD.<br>COSTA MESA, CA 92626 |  |
| <b>AUDIO PRODUCTS, INC.</b>  |                            |  |  |
| Title: DCM-2/DCM-3 Processor Board<br>Dataport K DAC                 |                            |  |  |
| Size: <b>B</b>   | Number: <b>SH-00236-00</b> | Rev <b>A1</b>                                |  |
| File: F:\DM\SH\SH00236\CUR_REV\314-0100.DDB - Documents\314-1300.SCH |                            |  |  |
| Date: 10-Jan-2005  | Eng:                       | Sheet 13 of 25                               |  |

THIS DOCUMENT CONTAINS PROPRIETARY INFORMATION WHICH IS THE PROPERTY OF QSC AUDIO PRODUCTS. THAT MAY NOT BE DISCLOSED, REPRODUCED OR USED WITHOUT EXPRESS WRITTEN CONSENT FROM QSC AUDIO PRODUCTS.



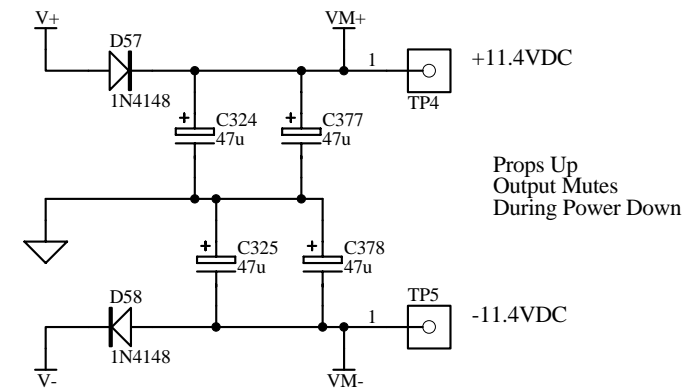
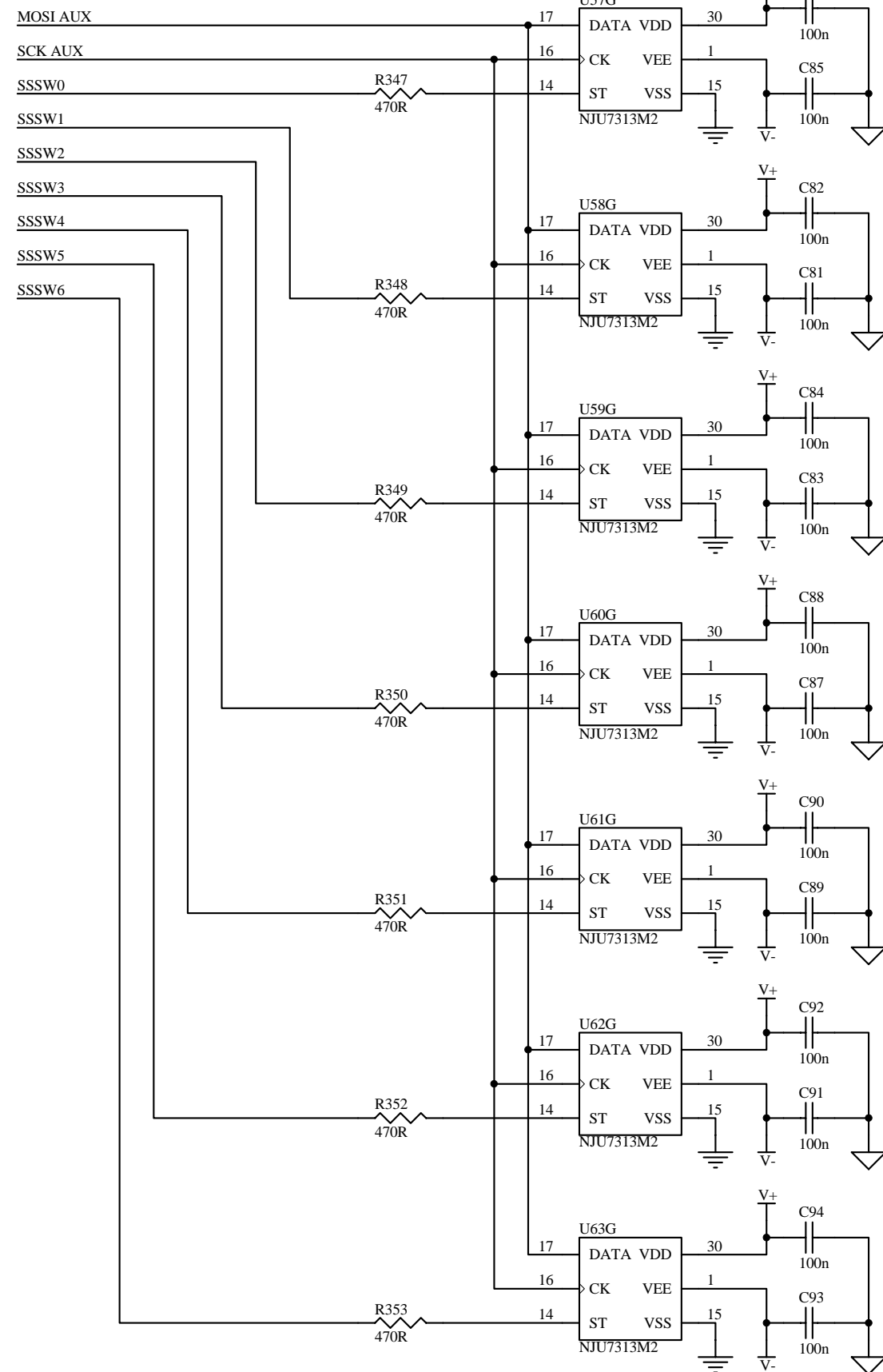
|   |                             |
|---|-----------------------------|
| <b>AUDIO PRODUCTS, INC.</b> 1675 MACARTHUR BLVD.<br><small>Error: QSC\LOGO\BMP file not found.</small> COSTA MESA, CA 92626 |                             |
| <b>Title:</b> DCM-2/DCM-3 Processor Board Monitor and HI Output   |                             |
| <b>Size:</b> B  | <b>Number:</b> SH-000236-00 |
| <b>Rev:</b> A1  |                             |
| <small>File: F:\DM\SH\SH000236\CUR_REV\314-0100.DDB - Documents\314-1700.SCH</small>  |                             |
| <small>Date:</small> 10-Jan-2005  | <small>Eng:</small>         |
| <small>Sheet 17 of 25</small>   |                             |



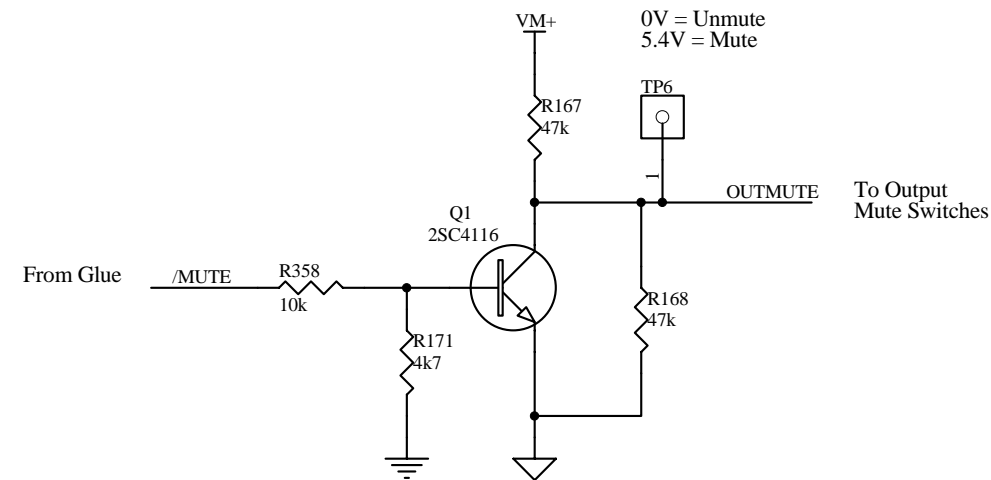
THIS DOCUMENT CONTAINS PROPRIETARY INFORMATION WHICH IS THE PROPERTY OF QSC AUDIO PRODUCTS. THAT MAY NOT BE DISCLOSED, REPRODUCED OR USED WITHOUT EXPRESS WRITTEN CONSENT FROM QSC AUDIO PRODUCTS.

From Glue

From Glue

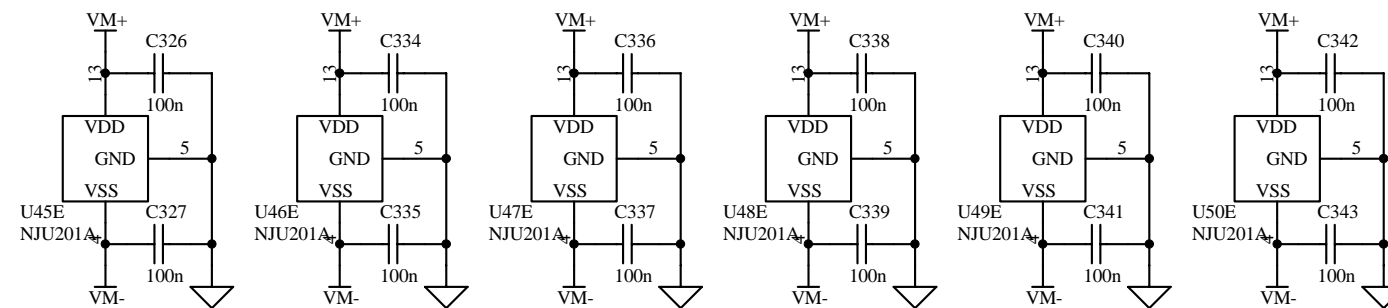


Props Up Output Mutes During Power Down



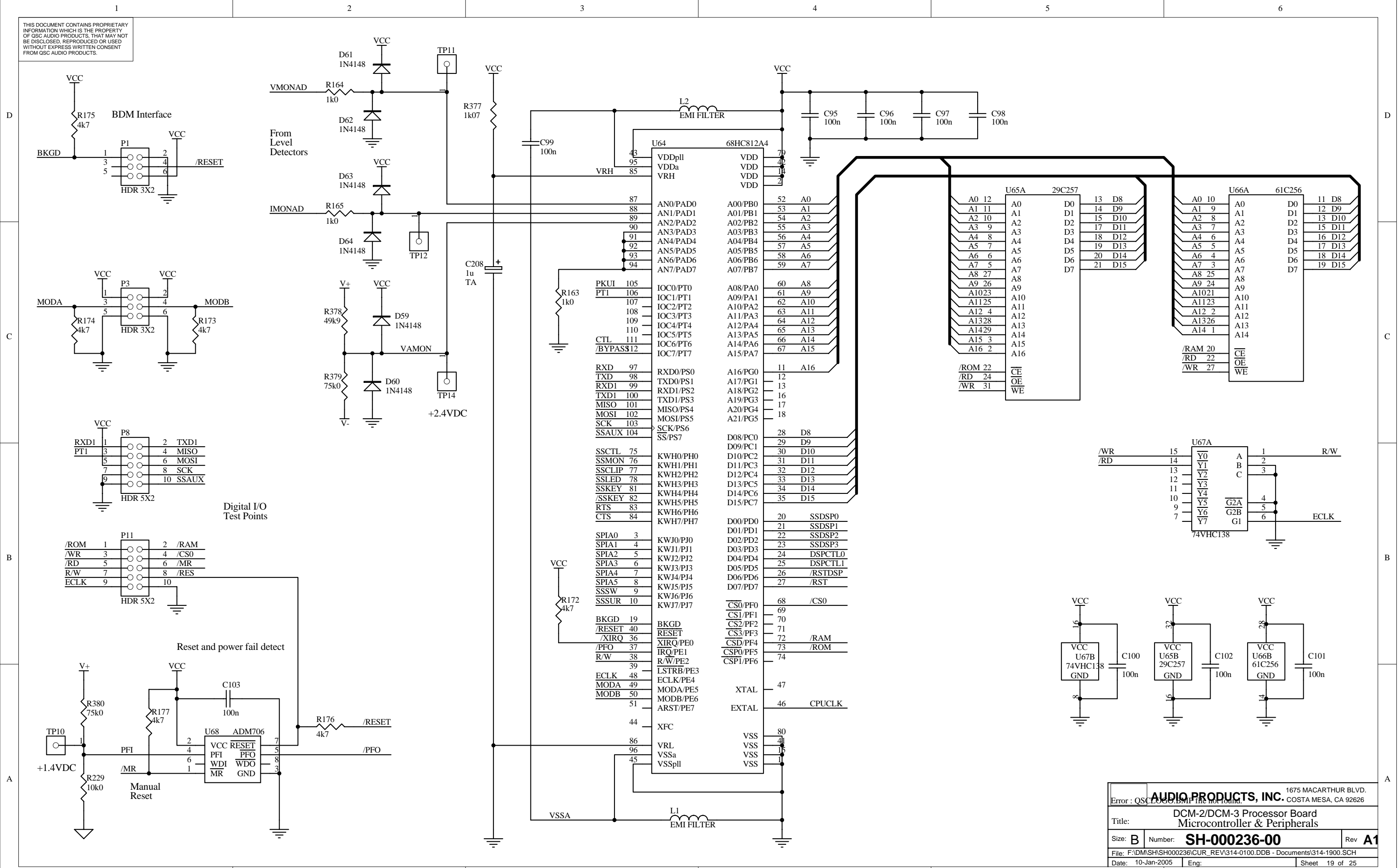
0V = Unmute  
5.4V = Mute

To Output Mute Switches

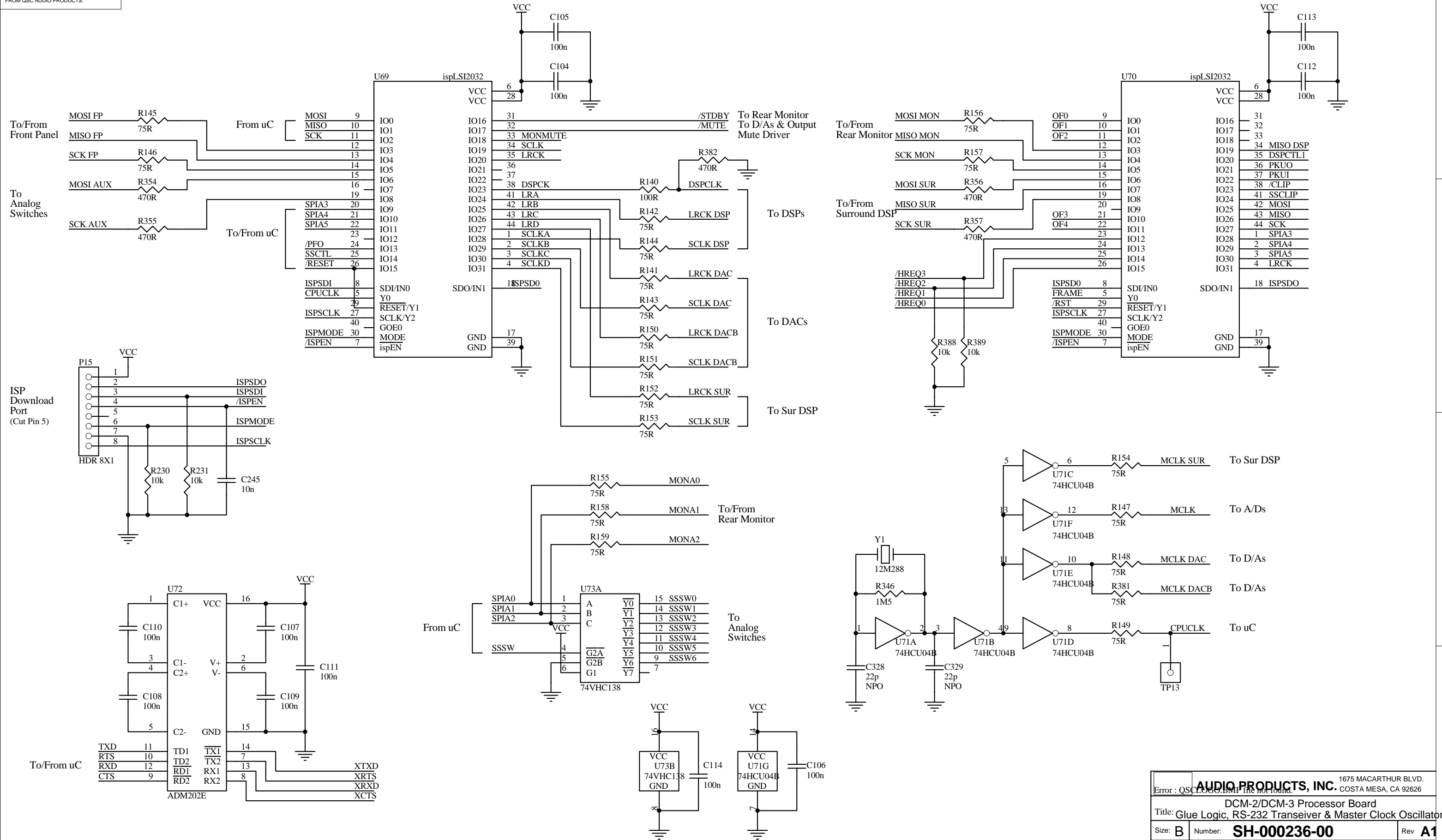


|   |                            |
|---|----------------------------|
| <b>AUDIO PRODUCTS, INC.</b> 1675 MACARTHUR BLVD.<br><small>Error: QSC LOGO.BMP file not found.</small> COSTA MESA, CA 92626 |                            |
| Title: <b>DCM-2/DCM-3 Processor Board</b><br>Analog Switch Control & Aux Power  |                            |
| Size: <b>B</b>  | Number: <b>SH-00236-00</b> |
| File: F:\DM\SH\SH00236\CUR_REV\314-0100.DDB - Documents\314-1800.SCH  |                            |
| Date: 10-Jan-2005   | Eng:<br>Sheet 18 of 25     |

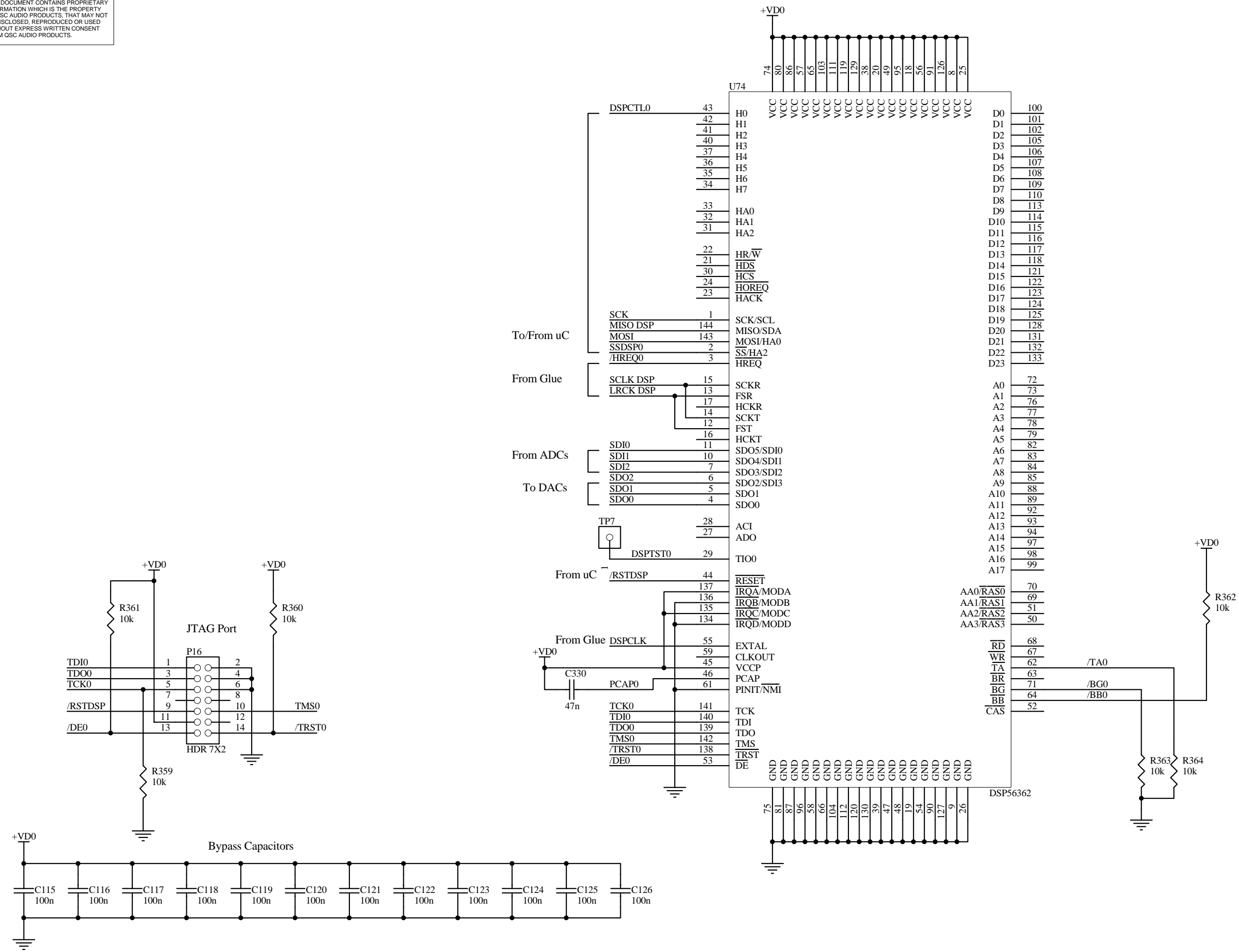
THIS DOCUMENT CONTAINS PROPRIETARY INFORMATION WHICH IS THE PROPERTY OF QSC AUDIO PRODUCTS. THAT MAY NOT BE DISCLOSED, REPRODUCED OR USED WITHOUT EXPRESS WRITTEN CONSENT FROM QSC AUDIO PRODUCTS.



THIS DOCUMENT CONTAINS PROPRIETARY INFORMATION WHICH IS THE PROPERTY OF QSC AUDIO PRODUCTS. THAT MAY NOT BE DISCLOSED, REPRODUCED OR USED WITHOUT EXPRESS WRITTEN CONSENT FROM QSC AUDIO PRODUCTS.

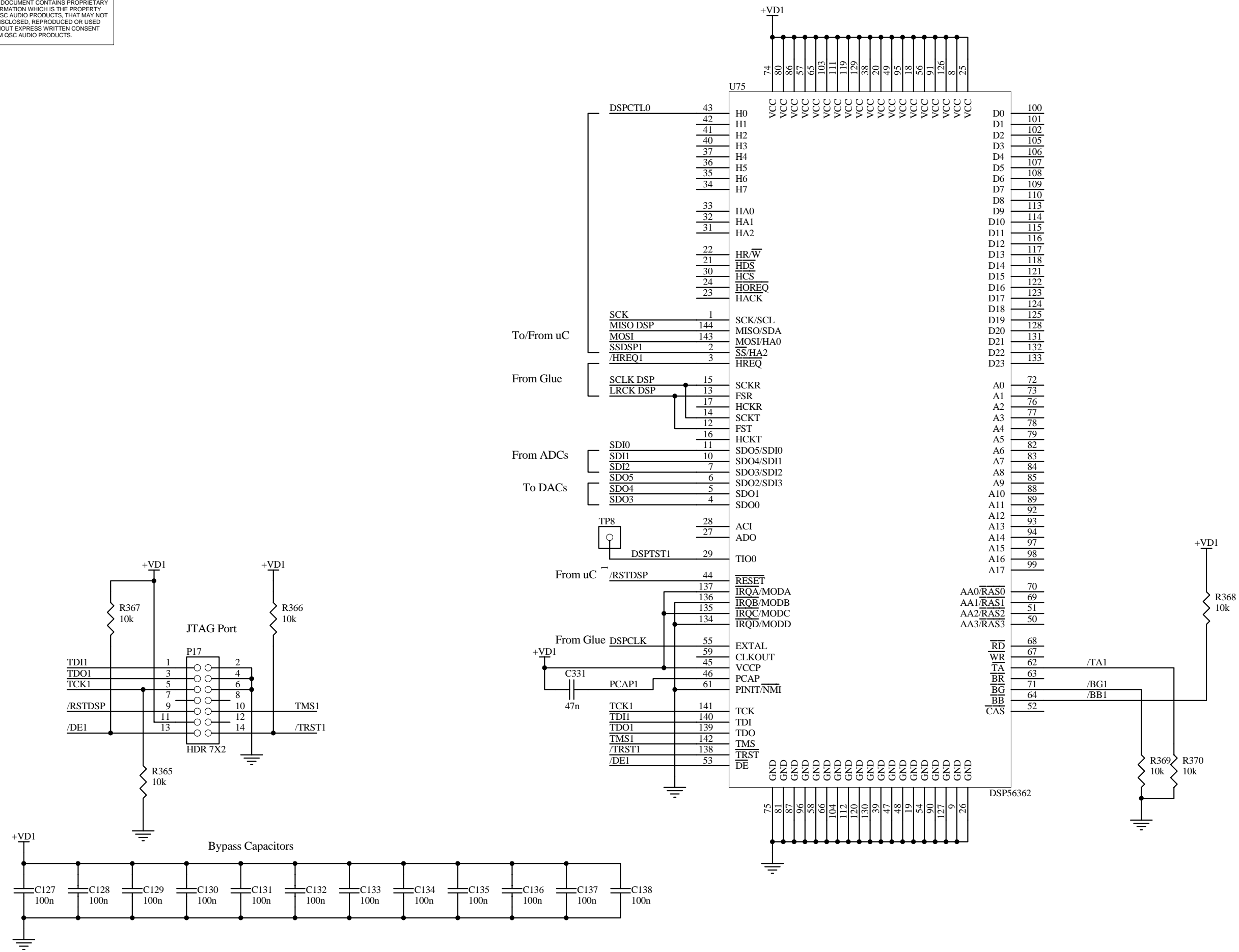


THIS DOCUMENT CONTAINS PROPRIETARY INFORMATION WHICH IS THE PROPERTY OF QSC AUDIO PRODUCTS. THAT MAY NOT BE DISCLOSED, REPRODUCED OR USED WITHOUT EXPRESS WRITTEN CONSENT FROM QSC AUDIO PRODUCTS.



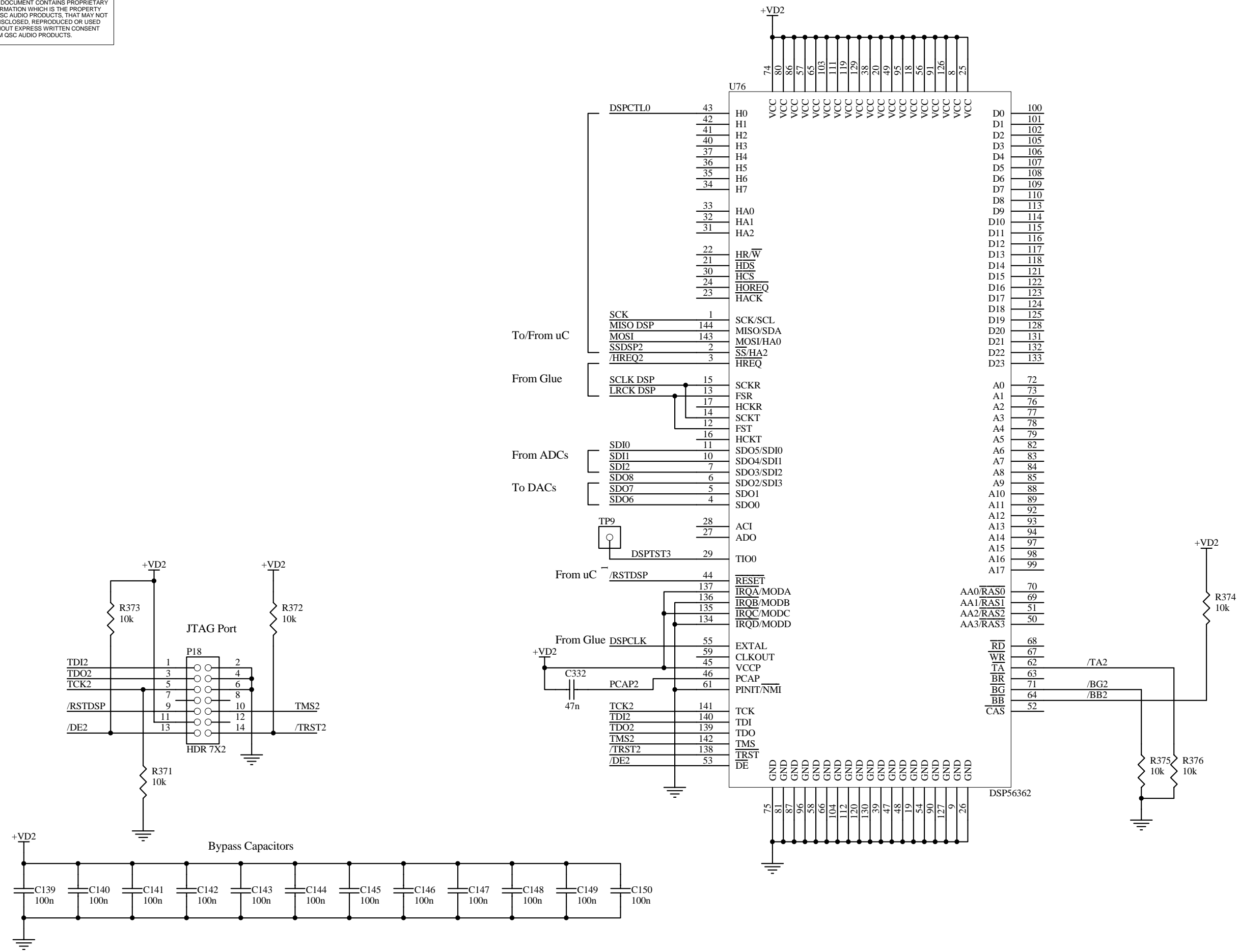
|   |                             |
|---|-----------------------------|
| <b>AUDIO PRODUCTS, INC.</b> 1675 MACARTHUR BLVD.<br><small>Error: QSC Logo BMP file not found.</small> COSTA MESA, CA 92626 |                             |
| Title: <b>DCM-2/DCM-3 Processor Board</b><br>DSP 0  |                             |
| Size: <b>B</b>  | Number: <b>SH-000236-00</b> |
| File: F:\DM\SH\SH000236\CUR_REV\314-0100.DDB - Documents\314-2100.SCH   |                             |
| Date: 10-Jan-2005   | Eng:                        |
| Sheet 21 of 25  |                             |

THIS DOCUMENT CONTAINS PROPRIETARY INFORMATION WHICH IS THE PROPERTY OF QSC AUDIO PRODUCTS. THAT MAY NOT BE DISCLOSED, REPRODUCED OR USED WITHOUT EXPRESS WRITTEN CONSENT FROM QSC AUDIO PRODUCTS.



|  |                             |
|--|-----------------------------|
| <b>AUDIO PRODUCTS, INC.</b> 1675 MACARTHUR BLVD.<br><small>Error: QSCLOGO.BMP file not found.</small> COSTA MESA, CA 92626 |                             |
| Title: <b>DCM-2/DCM-3 Processor Board DSP 1</b>  |                             |
| Size: <b>B</b>   | Number: <b>SH-000236-00</b> |
| File: F:\DM\SH\SH000236\CUR_REV\314-0100.DDB - Documents\314-2200.SCH  |                             |
| Date: 10-Jan-2005  | Eng:                        |
| Sheet 22 of 25   |                             |

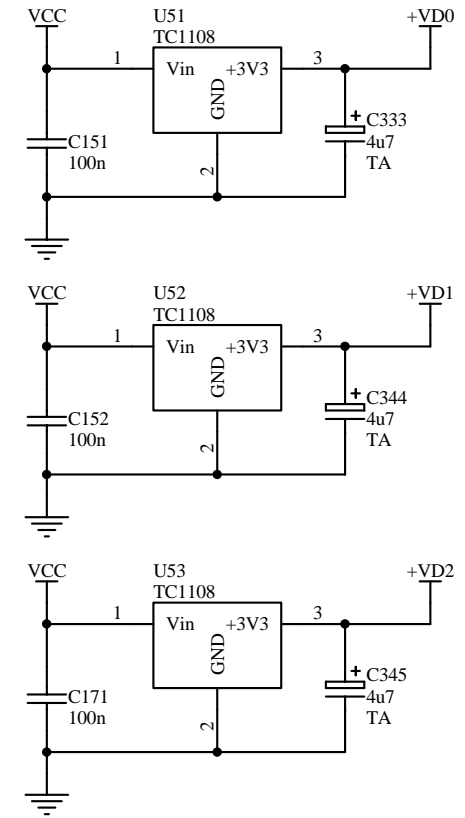
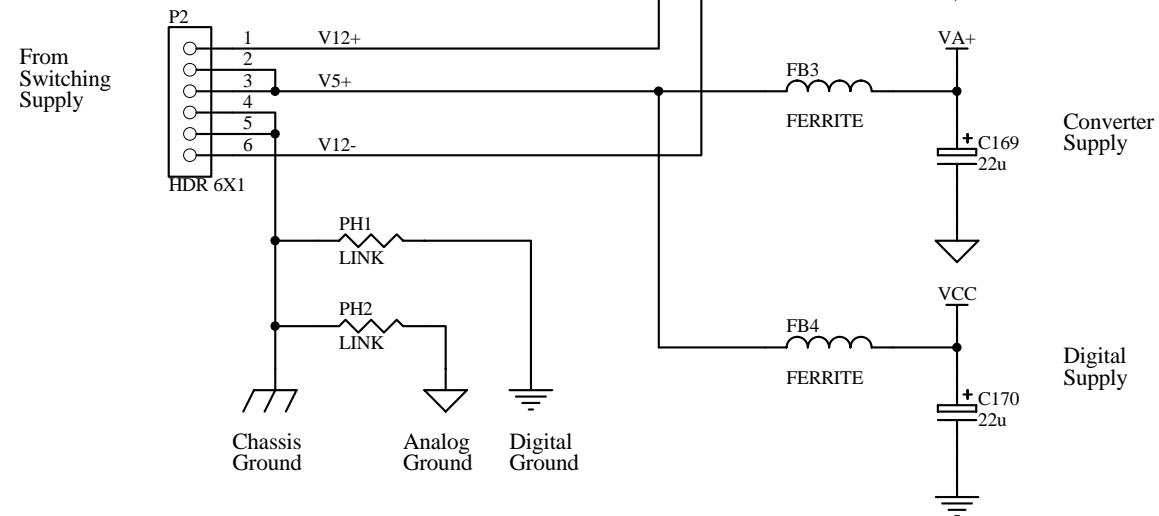
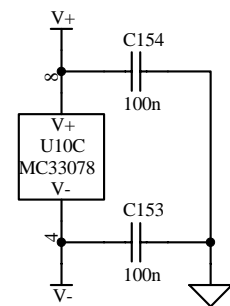
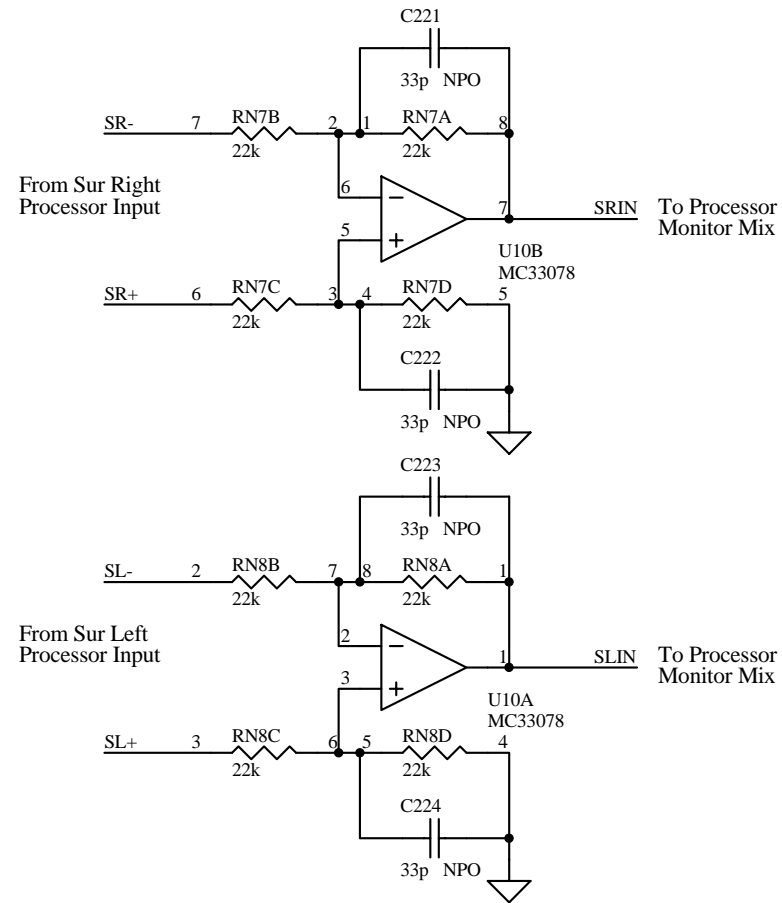
THIS DOCUMENT CONTAINS PROPRIETARY INFORMATION WHICH IS THE PROPERTY OF QSC AUDIO PRODUCTS. THAT MAY NOT BE DISCLOSED, REPRODUCED OR USED WITHOUT EXPRESS WRITTEN CONSENT FROM QSC AUDIO PRODUCTS.



DCM-3 ONLY

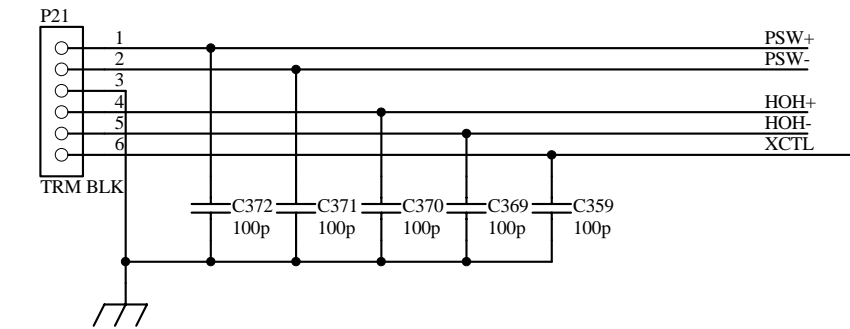
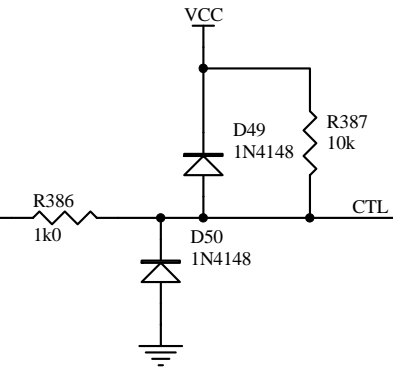
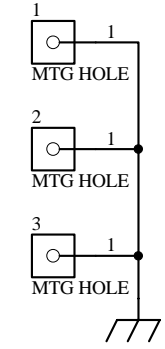
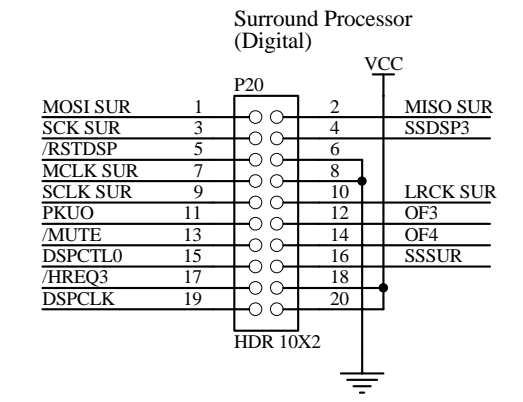
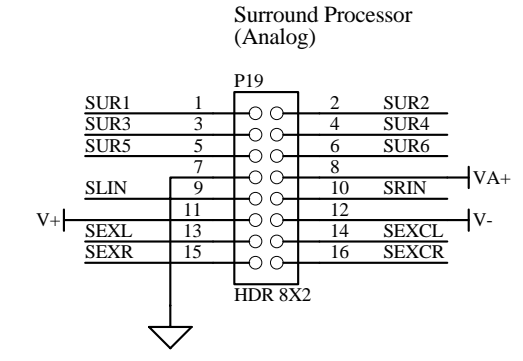
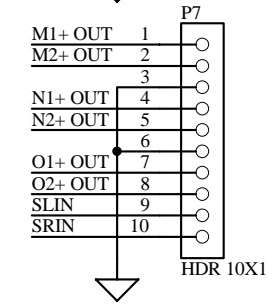
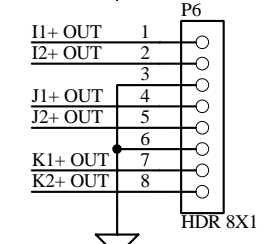
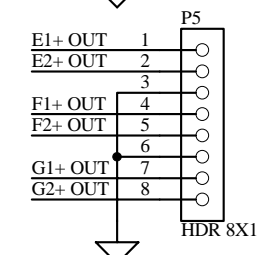
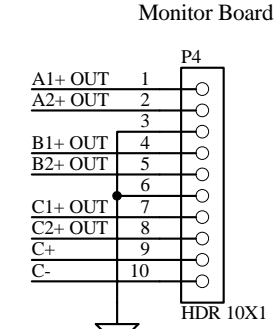
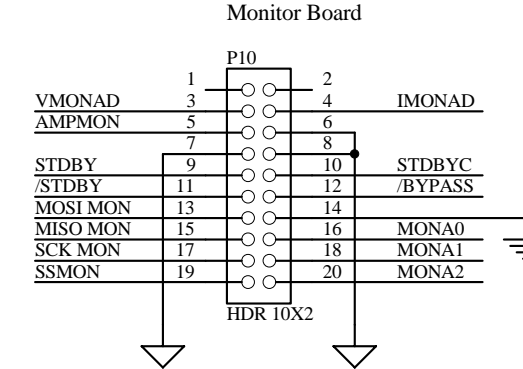
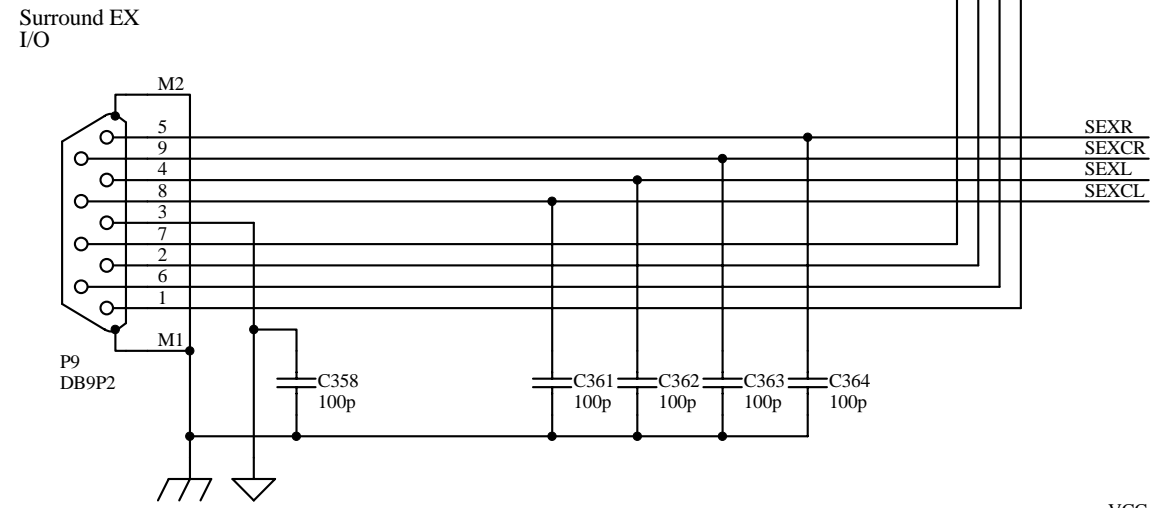
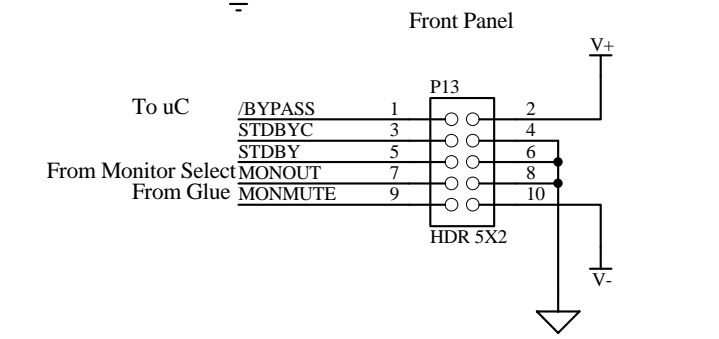
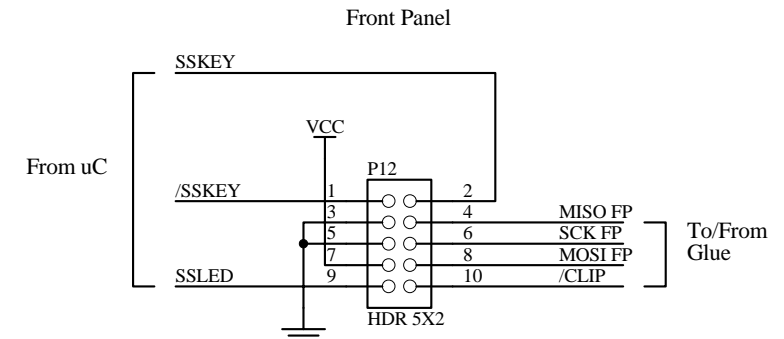
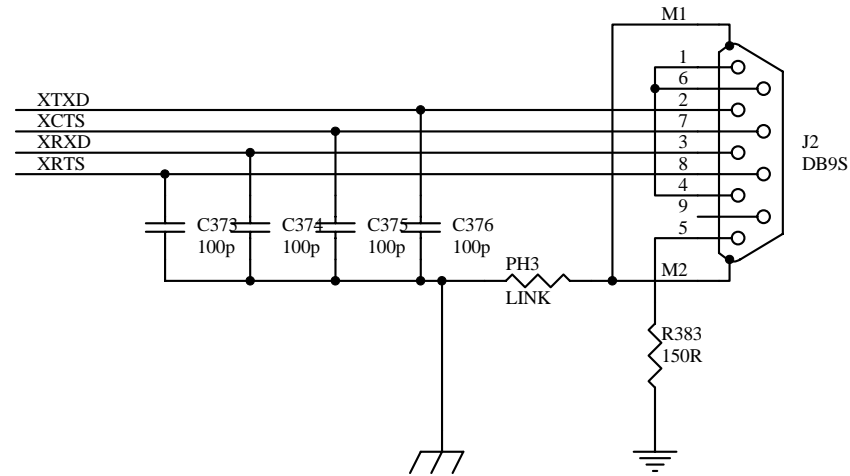
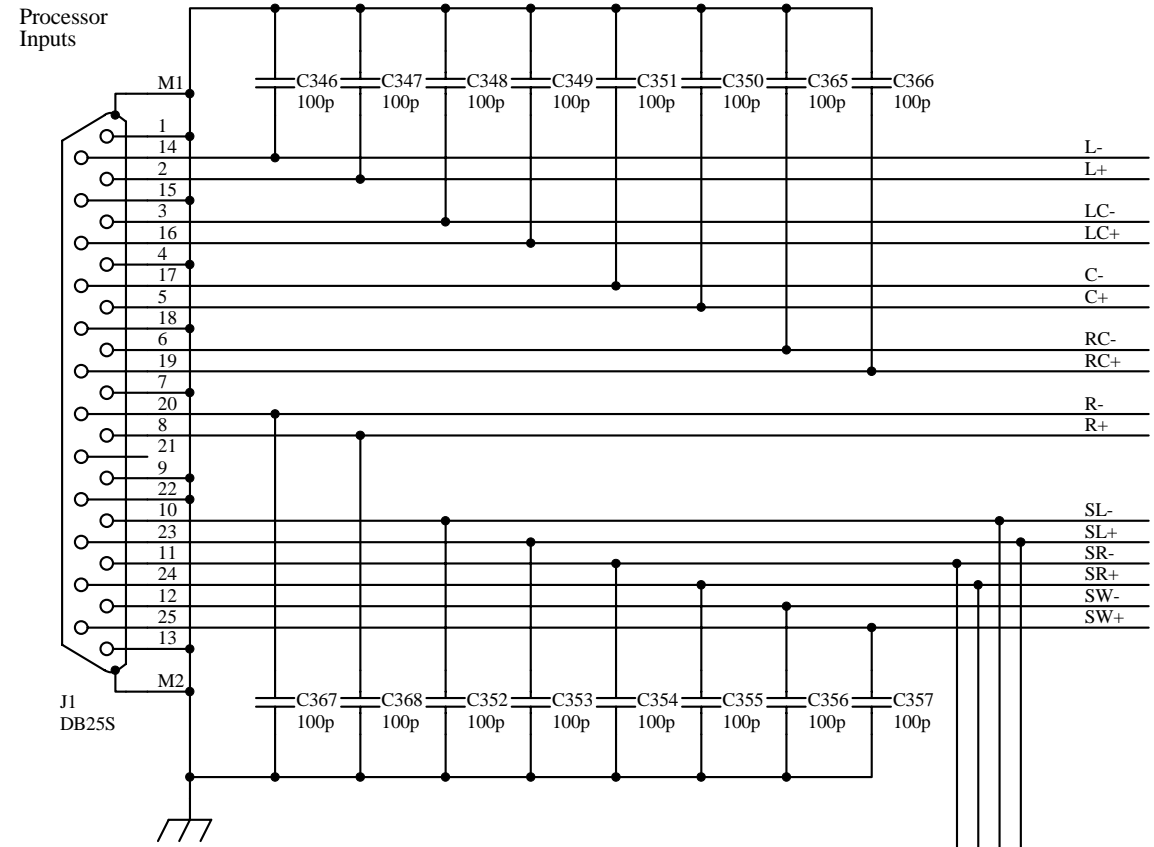
|  |                            |  |  |
|--|----------------------------|--|--|
| <b>AUDIO PRODUCTS, INC.</b>  |                            | 1675 MACARTHUR BLVD.<br>COSTA MESA, CA 92626 |  |
| Title: <b>DCM-2/DCM-3 Processor Board DSP 2</b>                      |                            |  |  |
| Size: <b>B</b>   | Number: <b>SH-00236-00</b> | Rev <b>A1</b>                                |  |
| File: F:\DM\SH\SH00236\CUR_REV\314-0100.DDB - Documents\314-2300.SCH |                            |  |  |
| Date: 10-Jan-2005  | Eng:                       | Sheet 23 of 25                               |  |

THIS DOCUMENT CONTAINS PROPRIETARY INFORMATION WHICH IS THE PROPERTY OF QSC AUDIO PRODUCTS. THAT MAY NOT BE DISCLOSED, REPRODUCED OR USED WITHOUT EXPRESS WRITTEN CONSENT FROM QSC AUDIO PRODUCTS.



|   |                             |  |  |
|---|-----------------------------|--|--|
| <b>AUDIO PRODUCTS, INC.</b><br><small>Error: QSC Logo BMP file not found.</small> |                             | 1675 MACARTHUR BLVD.<br>COSTA MESA, CA 92626                                     |  |
|   |                             | Title: <b>DCM-2/DCM-3 Processor Board<br/>Power Supply &amp; Surround Inputs</b> |  |
| Size: <b>B</b>  | Number: <b>SH-000236-00</b> | Rev: <b>A1</b>   |  |
| File: F:\DM\SH\SH000236\CUR_REV\314-0100.DDB - Documents\314-2400.SCH             |                             |  |  |
| Date: 10-Jan-2005   | Eng:                        | Sheet 24 of 25   |  |

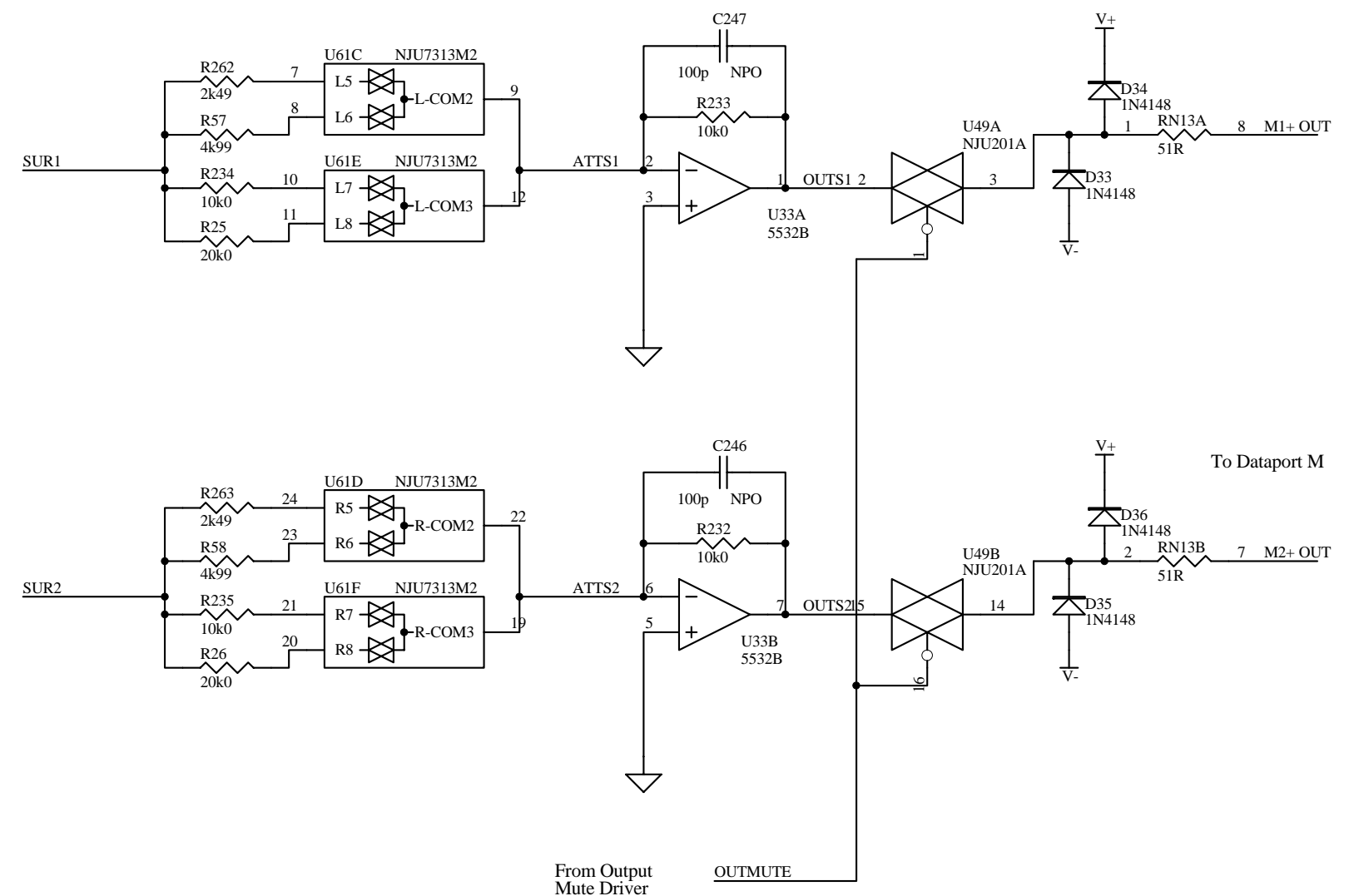
THIS DOCUMENT CONTAINS PROPRIETARY INFORMATION WHICH IS THE PROPERTY OF QSC AUDIO PRODUCTS. THAT MAY NOT BE DISCLOSED, REPRODUCED OR USED WITHOUT EXPRESS WRITTEN CONSENT FROM QSC AUDIO PRODUCTS.



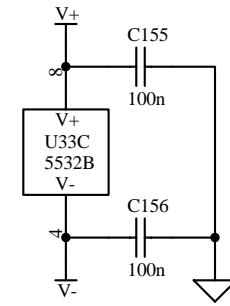


THIS DOCUMENT CONTAINS PROPRIETARY INFORMATION WHICH IS THE PROPERTY OF QSC AUDIO PRODUCTS. THAT MAY NOT BE DISCLOSED, REPRODUCED OR USED WITHOUT EXPRESS WRITTEN CONSENT FROM QSC AUDIO PRODUCTS.

Output Gain [ +12 dB (+6 dB overall)  
+6 dB (0 dB overall)  
0 dB (-6 dB overall)  
-6 dB (-12 dB overall)



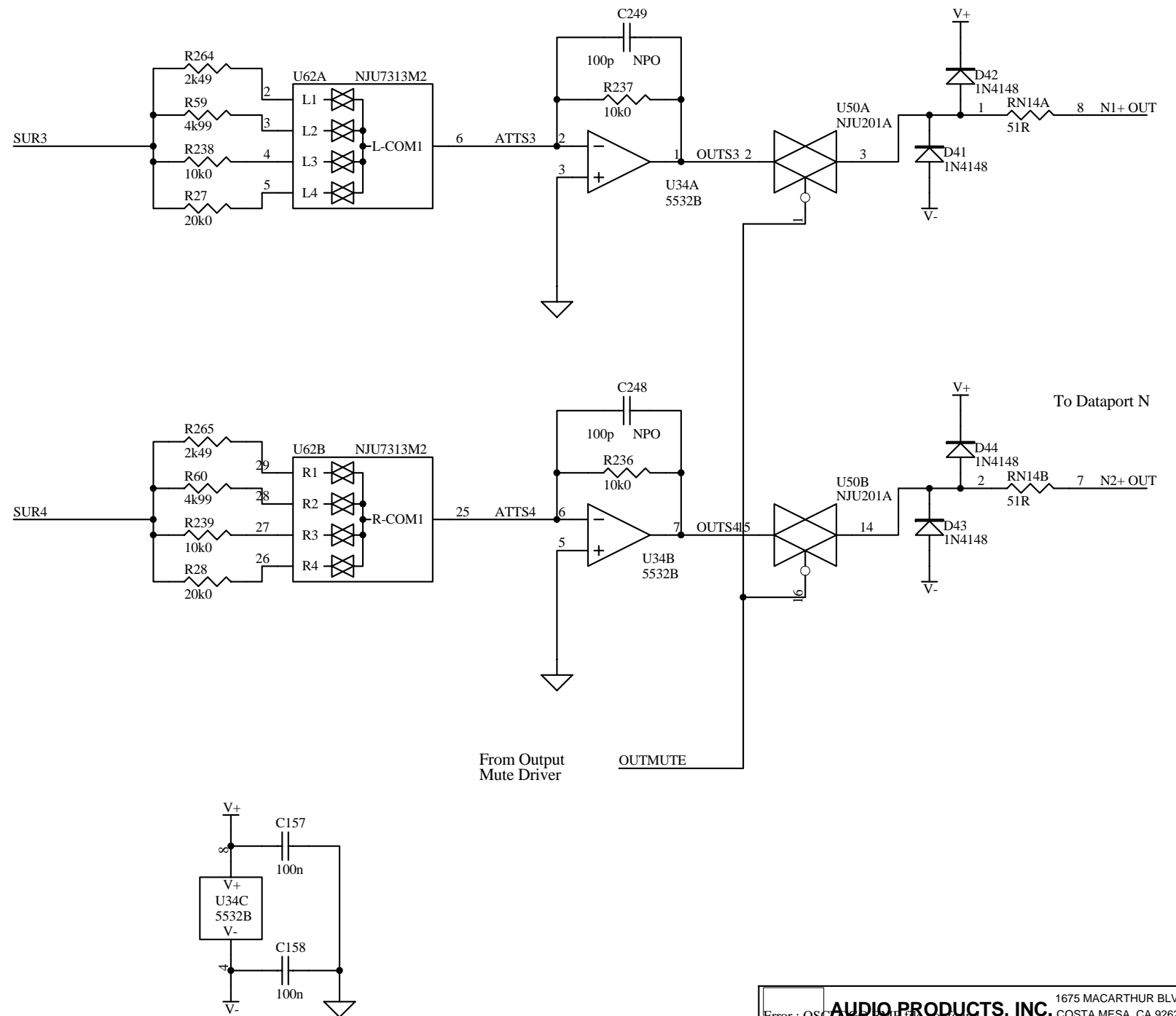
From Output Mute Driver  
OUTMUTE



|   |                      |  |  |
|---|----------------------|--|--|
| AUDIO PRODUCTS, INC.  |                      | 1675 MACARTHUR BLVD.<br>COSTA MESA, CA 92626 |  |
| Title: DCM-2/DCM-3 Processor Board<br>Dataport M                      |                      |  |  |
| Size: B   | Number: SH-000236-00 | Rev A1                                       |  |
| File: F:\DM\SH\SH000236\CUR_REV\314-0100.DDB - Documents\314-1400.SCH |                      |  |  |
| Date: 10-Jan-2005   | Eng:                 | Sheet 14 of 25                               |  |

THIS DOCUMENT CONTAINS PROPRIETARY INFORMATION WHICH IS THE PROPERTY OF QSC AUDIO PRODUCTS. THAT MAY NOT BE DISCLOSED, REPRODUCED OR USED WITHOUT EXPRESS WRITTEN CONSENT FROM QSC AUDIO PRODUCTS.

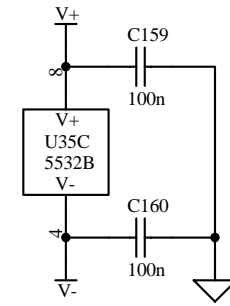
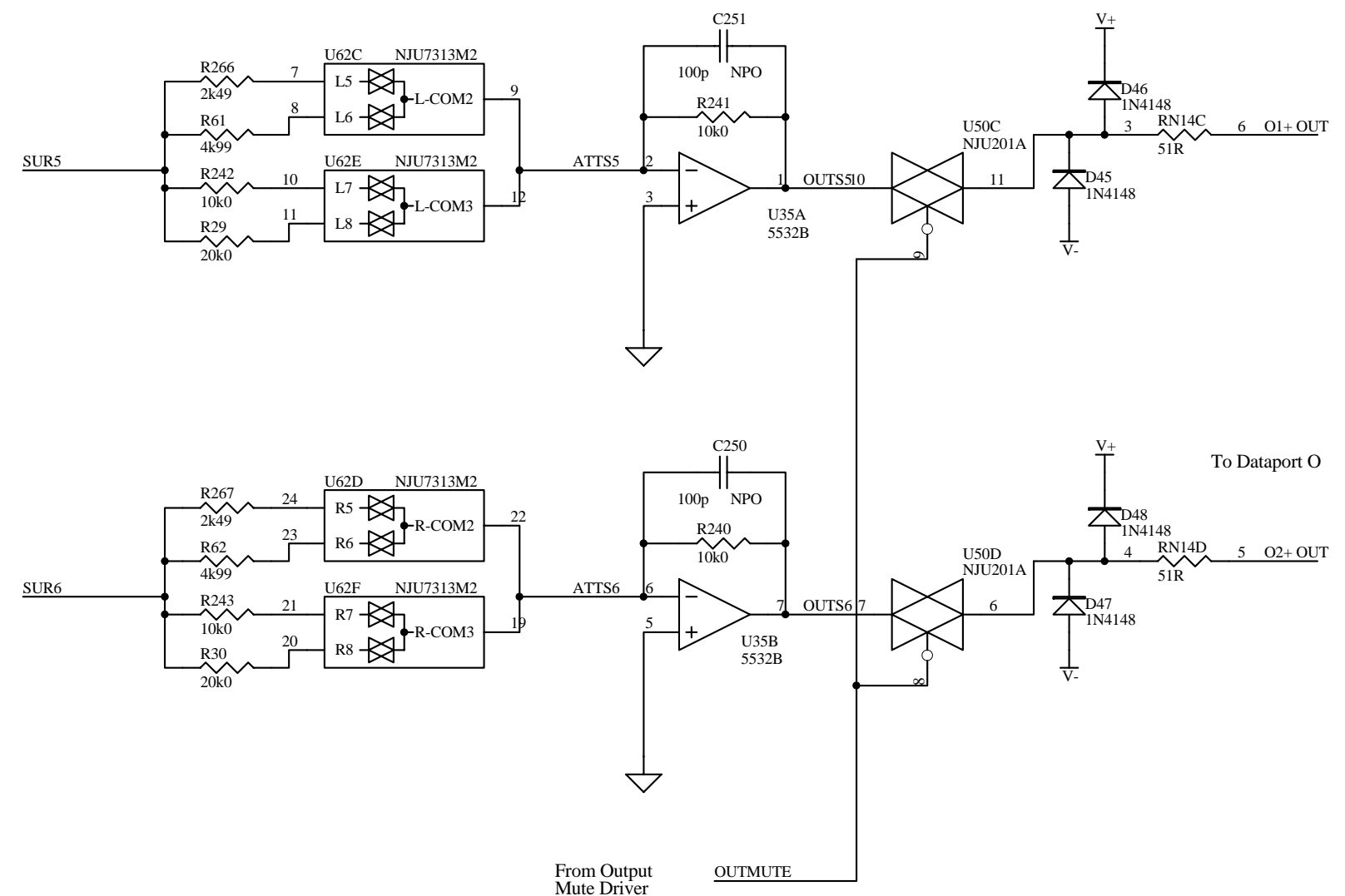
Output Gain  
 +12 dB (+6 dB overall)  
 +6 dB (0 dB overall)  
 0 dB (-6 dB overall)  
 -6 dB (-12 dB overall)



|   |                            |   |  |
|---|----------------------------|---|--|
| <b>AUDIO PRODUCTS, INC.</b><br><small>Error: QSC\LOGO\BMP file not found.</small> |                            | 1675 MACARTHUR BLVD.<br>COSTA MESA, CA 92626            |  |
|   |                            | <b>DCM-2/DCM-3 Processor Board</b><br><b>Dataport N</b> |  |
| Size: <b>B</b>  | Number: <b>SH-00236-00</b> | Rev <b>A1</b>   |  |
| File: F:\DM\SH\SH00236\CUR_REV\314-0100.DDB - Documents\314-1500.SCH              |                            |   |  |
| Date: 10-Jan-2005   | Eng:                       | Sheet 15 of 25  |  |

THIS DOCUMENT CONTAINS PROPRIETARY INFORMATION WHICH IS THE PROPERTY OF QSC AUDIO PRODUCTS. THAT MAY NOT BE DISCLOSED, REPRODUCED OR USED WITHOUT EXPRESS WRITTEN CONSENT FROM QSC AUDIO PRODUCTS.

Output Gain [ +12 dB (+6 dB overall)  
+6 dB (0 dB overall)  
0 dB (-6 dB overall)  
-6 dB (-12 dB overall)



|   |                             |
|---|-----------------------------|
| <b>AUDIO PRODUCTS, INC.</b> 1675 MACARTHUR BLVD.<br><small>Error: QSC Logo BMP file not found.</small> COSTA MESA, CA 92626 |                             |
| <b>Title:</b> DCM-2/DCM-3 Processor Board<br>Dataport O   |                             |
| <b>Size:</b> B  | <b>Number:</b> SH-000236-00 |
| <b>Rev:</b> A1  |                             |
| <small>File: F:\DM\SH\SH000236\CUR_REV\314-0100.DDB - Documents\314-1600.SCH</small>  |                             |
| <small>Date:</small> 10-Jan-2005  | <small>Eng:</small>         |
| <small>Sheet 16 of 25</small>   |                             |

THIS DOCUMENT CONTAINS PROPRIETARY INFORMATION WHICH IS THE PROPERTY OF QSC AUDIO PRODUCTS. THAT MAY NOT BE DISCLOSED, REPRODUCED OR USED WITHOUT EXPRESS WRITTEN CONSENT FROM QSC AUDIO PRODUCTS.

| REV | REVISION                           | EFF. DATE | CHK | APPROVED DATE |
|-----|------------------------------------|-----------|-----|---------------|
| A   | PRODUCTION RELEASE PER ECO 5662 AA | 11-03     |     | DD            |
| A1  | REVISED PER ECO 6434 AA            | 01-07-05  |     | DD            |

Surround Routing  
316-0200.SCH



UNLESS OTHERWISE NOTED:

- 1.0 All resistor values are expressed in Ohms.
- 1.1 All resistors are 1/4 Watt types with their tolerance and material coded into their value.

|                        |                |                 |
|------------------------|----------------|-----------------|
| VALUE                  | 1%, Metal Film | 5%, Carbon Film |
| 0 Ohm to 0.99 Ohms     | 0R to 0R976    | 0R to 0R91      |
| 1 Ohm to 99 Ohms       | 1R00 to 97R6   | 1R0 to 91R      |
| 100 Ohms to 999 Ohms   | 100R0 to 976R0 | 100R to 910R    |
| 1k Ohm to 9k9 Ohms     | 1k00 to 9k76   | 1k0 to 9k1      |
| 10k Ohms to 99k Ohms   | 10k0 to 97k6   | 10k to 91k      |
| 100k Ohms to 999k Ohms | 100k0 to 976k0 | 100k to 910k    |
| 1M Ohm to 99M Ohms     | 1M00 to 97M6   | 1M0 to 91M      |

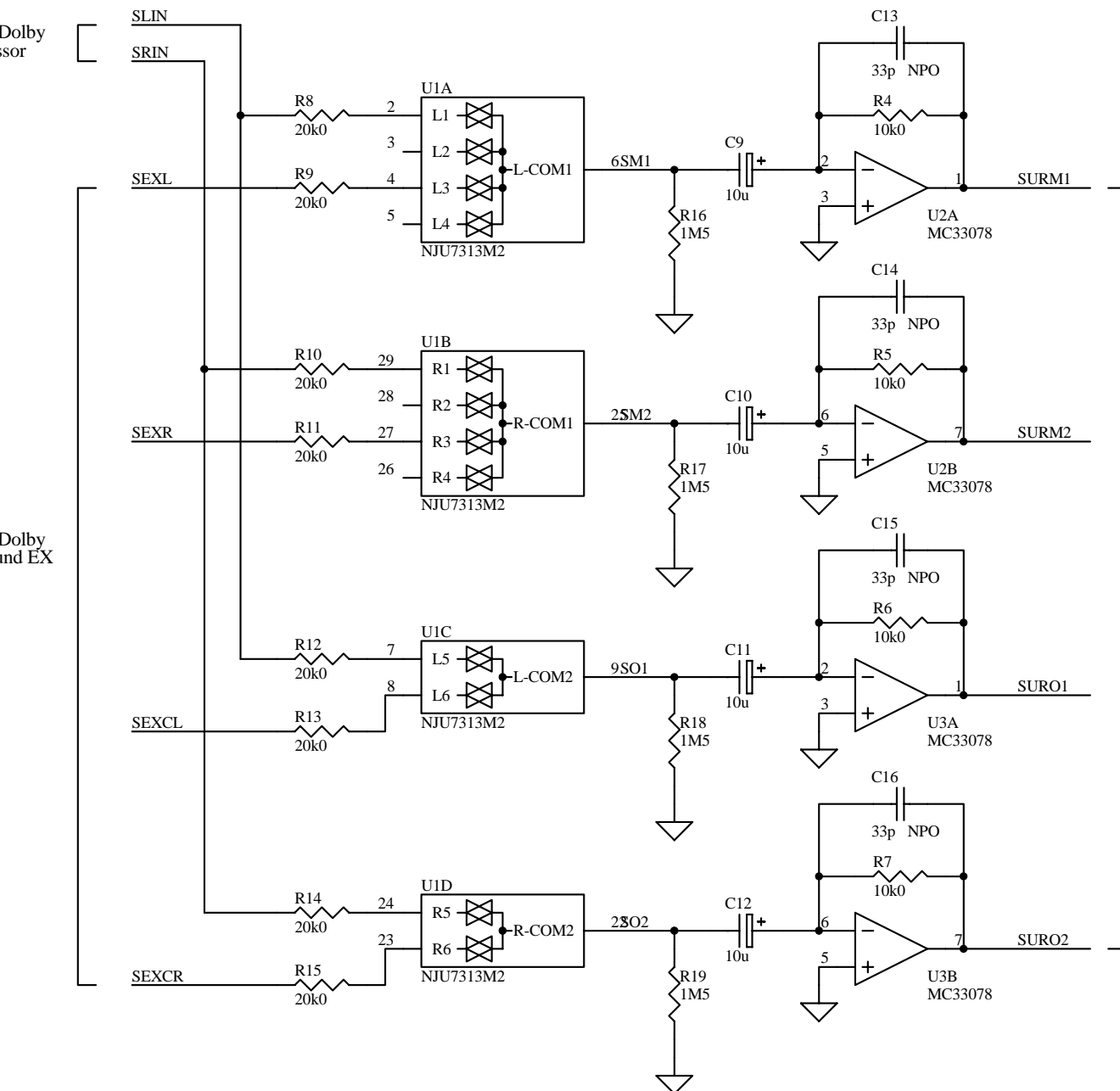
- 2. All resistor networks are 2%, 1/8 Watt types with their values expressed in Ohms.
- 3.0 All capacitor values are expressed in Farads
- 3.1 All 100n bypass capacitors are 20%, 50 Volt, Z5U, Ceramic Monolythic types.  
Their Reference Designators are coded as CVXXX where XXX is the associated IC number and V is the associated power supply voltage.  
Values for V are; 9 = +5, 8 = -5, 7 = +15, 6 = -15, 5 = +12, 4 = -12.
- 3.2 All non-electrolytic capacitors are 10%, 50 Volt, X7R, Ceramic Monolythic types.
- 3.3 All NPO capacitors are 5%, 50 Volt, Ceramic Monolythic types.
- 3.4 All MY capacitors are 5%, 50 Volt, Metalized Polyester types.
- 3.5 All PP capacitors are 5%, 50 Volt, Metalized Polypropylene types.
- 3.6 All PC capacitors are 5%, 50 Volt, Metalized Polycarbonate types.
- 3.7 All electrolytic capacitors are 20%, 16 Volt (or higher), Aluminum Electrolyte types.
- 3.8 All TA capacitors are 20%, 16 Volt (or higher), Tantalum Electrolyte types.
- 4. For complete information on any component please see the associated bill of materials.
- 5. All net names preceded by a / are active low signals.
- 6. IC power supply connections are called out in a table at the bottom of the page(s) the IC appears on.  
Only non-standard or unique power supply connections will be shown on the schematic sheet.
- 7. V+ = +12, V- = -12, VCC = +5, VEE = -5

|   |                      |  |
|---|----------------------|--|
|   |                      | 1675 MACARTHUR BLVD.<br>COSTA MESA, CA 92626 |
| Error: QSC\LOGO.BMP file not found.                                   |                      |  |
| Title: Digital Cinema Monitor<br>DCM-2/DCM-3 Surround Passthru Board  |                      |  |
| Size: B   | Number: SH-000237-00 | Rev: A1                                      |
| File: F:\DM\SH\SH000237\CUR_REV\SH0237A1.DDB - Documents\316-0100.PRJ |                      |  |
| Date: 10-Jan-2005   | Eng:                 | Sheet 1 of 2                                 |

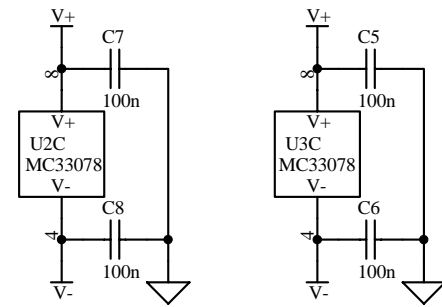
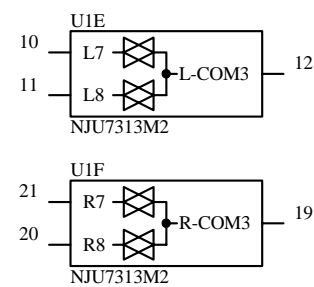
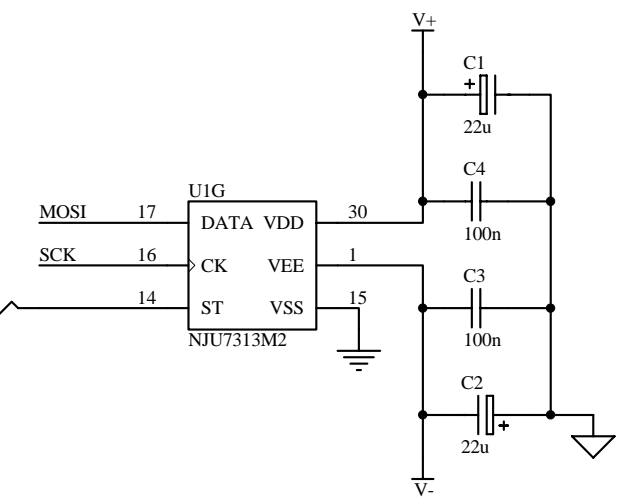
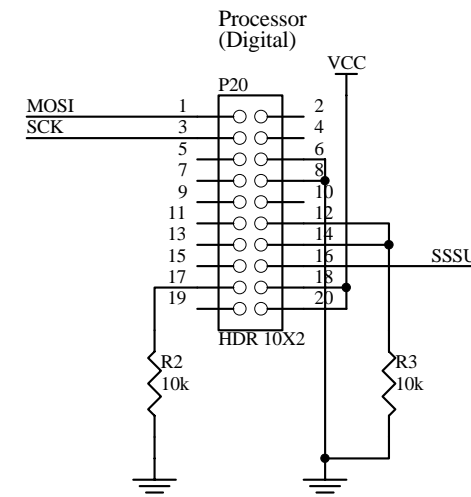
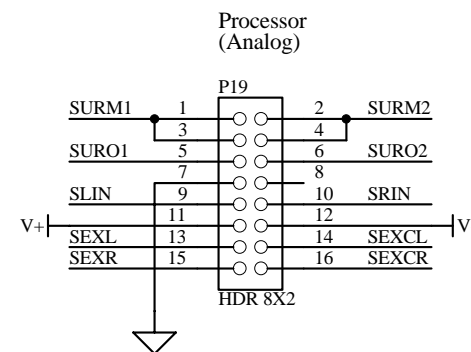
THIS DOCUMENT CONTAINS PROPRIETARY INFORMATION WHICH IS THE PROPERTY OF QSC AUDIO PRODUCTS. THAT MAY NOT BE DISCLOSED, REPRODUCED OR USED WITHOUT EXPRESS WRITTEN CONSENT FROM QSC AUDIO PRODUCTS.

From Dolby Processor

From Dolby Surround EX



To Surround Dataports



|   |  |
|---|--|
| <b>AUDIO PRODUCTS, INC.</b> 1675 MACARTHUR BLVD.<br><small>Error: QSC\LOGO\BMP file not found.</small> COSTA MESA, CA 92626 |  |
| Title: <b>DCM-2/3 Surround Passtru Board</b><br>Surround I/O & Routing  |  |
| Size: <b>B</b>  | Number: <b>SH-00237-00</b> Rev <b>A1</b> |
| File: F:\DM\SH\SH00237\CUR_REV\SH0237A1.DDB - Documents\316-0200.SCH  |  |
| Date: 10-Jan-2005   | Eng: _____ Sheet 2 of 2                  |