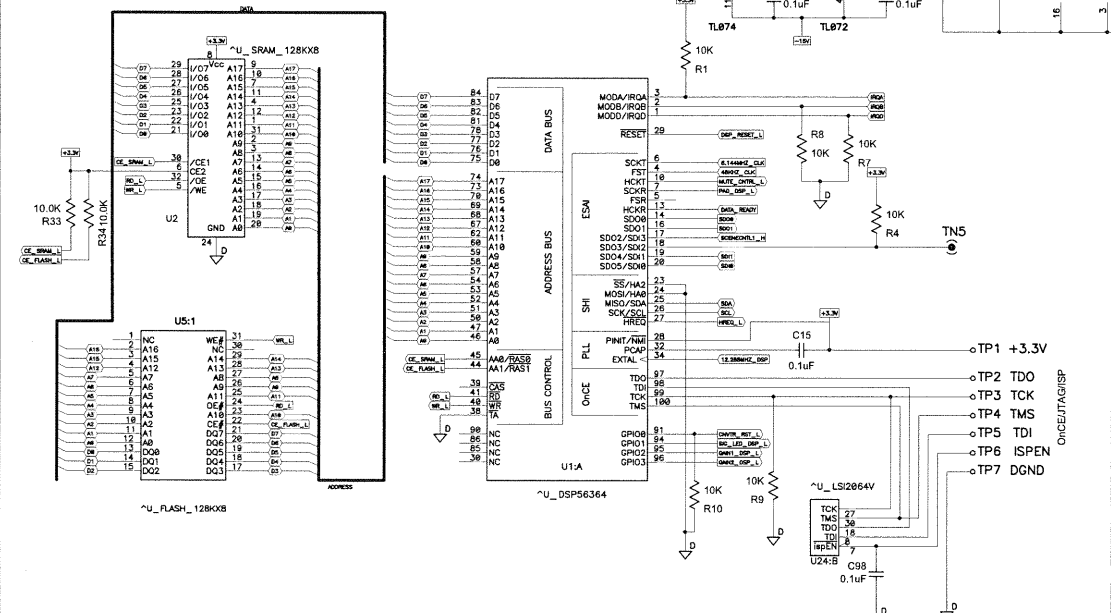


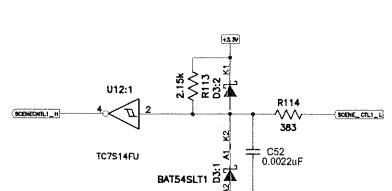
THIS DOCUMENT CONTAINS PROPRIETARY INFORMATION WHICH IS THE PROPERTY OF QSC AUDIO PRODUCTS, THAT MAY NOT BE DISCLOSED, REPRODUCED OR USED WITHOUT EXPRESS WRITTEN CONSENT FROM QSC AUDIO PRODUCTS.

REVISION		EFF. DATE	CHK	APPROVED/DATE
REV A	PRODUCTION RELEASE PER ECO 5126 AA	4-15-02		
REV B	REVISED PER ECO 5494 AC	11-8-02		

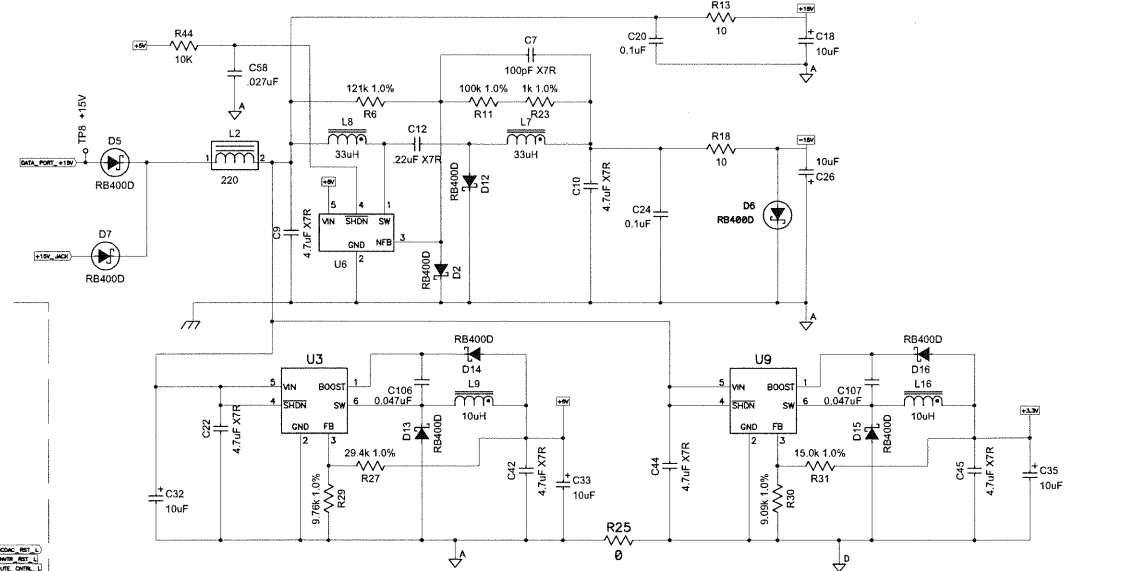
DSP



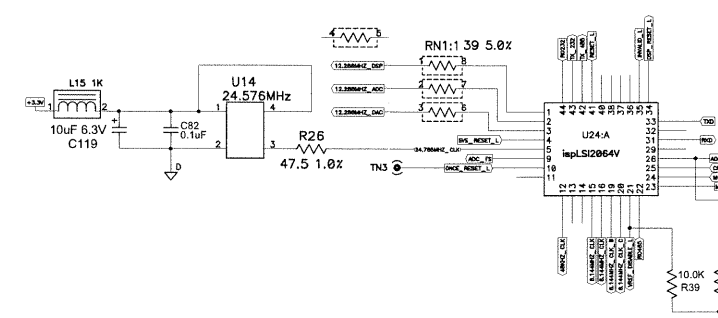
CONTACT CLOSURE DETECT



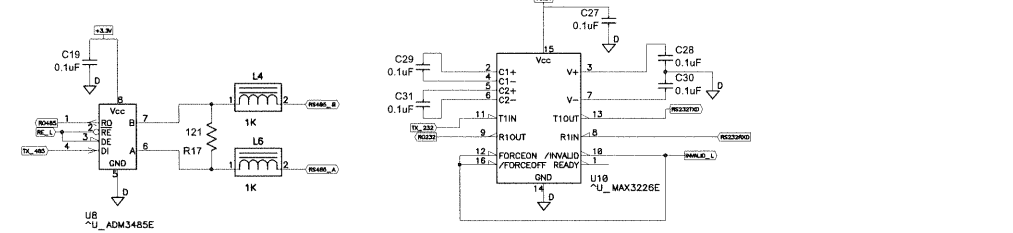
POWER SUPPLIES



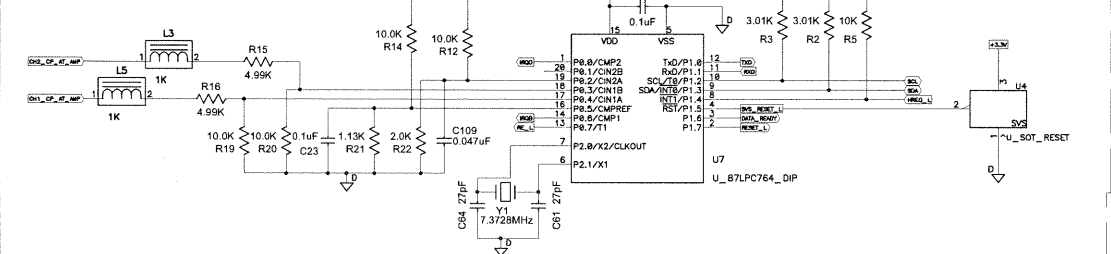
CPLD/CLOCK DIVIDER



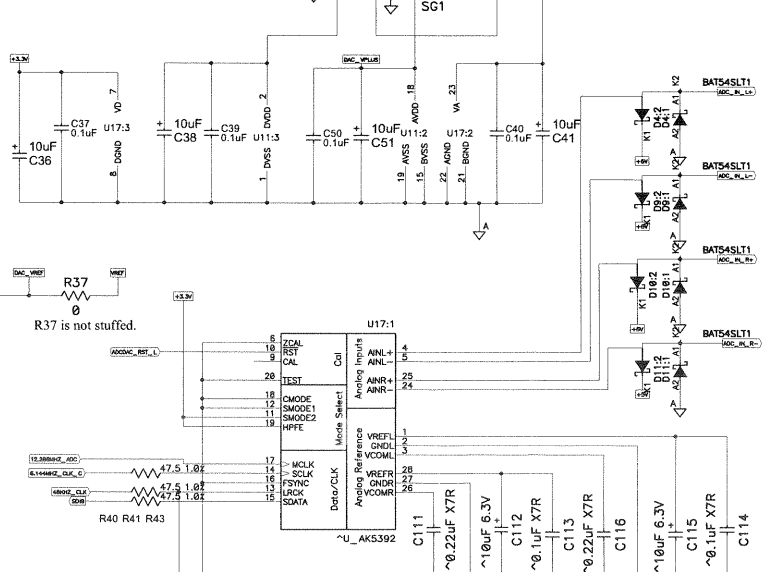
RS-485/RS-232 XCVR



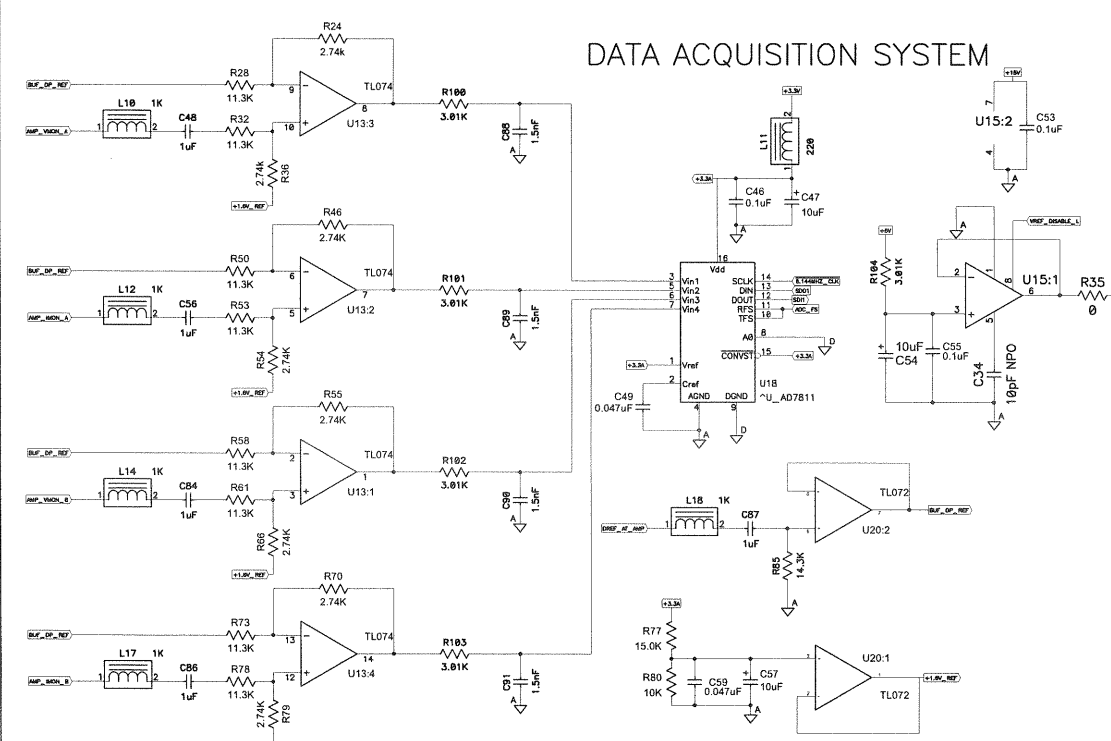
MICROCONTROLLER



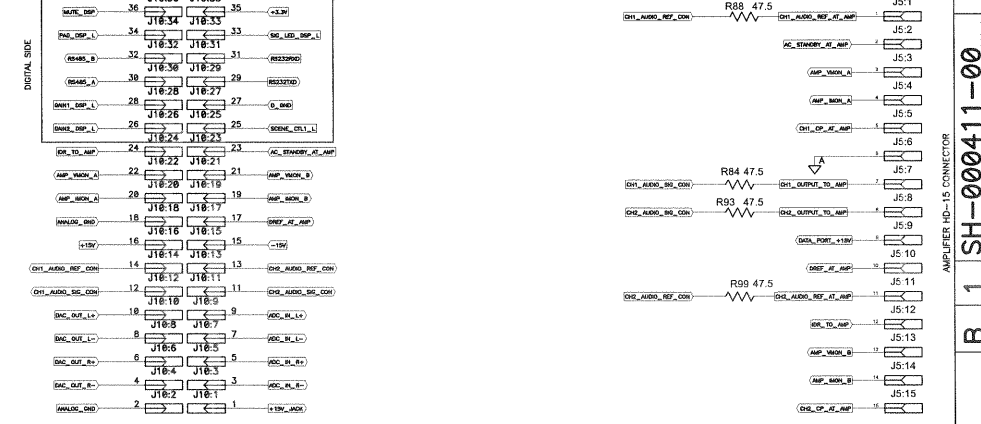
ADC/DAC



DATA ACQUISITION SYSTEM



BOARD TO BOARD CONNECTOR/HD-15 AMP SIDE USE PC-000413-00



QTY	ITEM NO.	PART NO.	DESCRIPTION	VENDOR
PARTS LIST				
UNLESS OTHERWISE SPECIFIED DIMENSIONS ARE IN INCHES. DIMENSIONS PER ANSI Y14.5-1982 TOLERANCES ARE: DECIMALS DECIMALS ANGLES 0 .XX ± .XXX ± DEBURR EDGES .XXX R MAX MATERIAL			CONTRACT NO. QSC AUDIO PRODUCTS, INC. COSTA MESA, CALIFORNIA	
APPROVALS		DATE		
DRAWN MgS		6/11/01		
CHECKED W. RULAND		5-16-02		
ISSUED D. DELARM		5-25-02		
CAD SEED FILE NO.		SIZE D	FSCM NO.	DWG NO. SH-000411-00
APPLICATION		SCALE NONE	CAD FILE NO. SH000411.SCH	SHEET 1 OF 1

2. COMPONENTS WITH VALUE PREFIXED WITH A ~ REPRESENT SMT COMPONENTS.
1. THIS DRAWING USED IN CONJUNCTION WITH ASSEMBLY WP-000411-00

NOTES: UNLESS OTHERWISE SPECIFIED

AMPLIFIER ID-15 CONNECTOR

THIS DOCUMENT CONTAINS PROPRIETARY INFORMATION WHICH IS THE PROPERTY OF QSC AUDIO PRODUCTS. THAT MAY NOT BE DISCLOSED, REPRODUCED OR USED WITHOUT EXPRESS WRITTEN CONSENT FROM QSC AUDIO PRODUCTS.

REVISION				
REV	DESCRIPTION	EFF. DATE	CHK	APPROVED DATE
A	PRODUCTION RELEASE PER ECO 5126 AA	4-15-02		

D

D

C

C

B

B

A

A

A 1 SH-000412-00

2. COMPONENTS WITH VALUE PREFIXED WITH A "*" REPRESENT SMT COMPONENTS.
 1. THIS DRAWING USED IN CONJUNCTION WITH ASSEMBLY WP-000412-00

NOTES: UNLESS OTHERWISE SPECIFIED

QTY	ITEM NO.	PART NO.	DESCRIPTION	VENDOR
PARTS LIST				
UNLESS OTHERWISE SPECIFIED DIMENSIONS ARE IN INCHES. DIMENSIONS PER ANSI Y14.5-1982 TOLERANCES ARE: DECIMALS DECIMALS ANGLES .XX ± .XXX ± 0 DEBURR EDGES .XXX R MAX MATERIAL			CONTRACT NO. QSC AUDIO PRODUCTS, INC. COSTA MESA, CALIFORNIA	
DRAWN BC / MgS			APPROVALS DATE 3/22/00	
CHECKED A. ARANDA			9-18-01	
WP-000412-00	DSP 4	FINISH	ISSUED D. DELARM	9-18-01
NEXT ASSY	USED ON		CAD SEED FILE NO.	Thu May 16, 2002
APPLICATION		DO NOT SCALE DRAWING		SCALE NONE
		SIZE		FSCM NO.
		DWG NO.		REV
		SH-000412-00		A
		CAD FILE NO. SH0412A.SCH		SHEET 1 OF 2

8

7

6

5

4

3

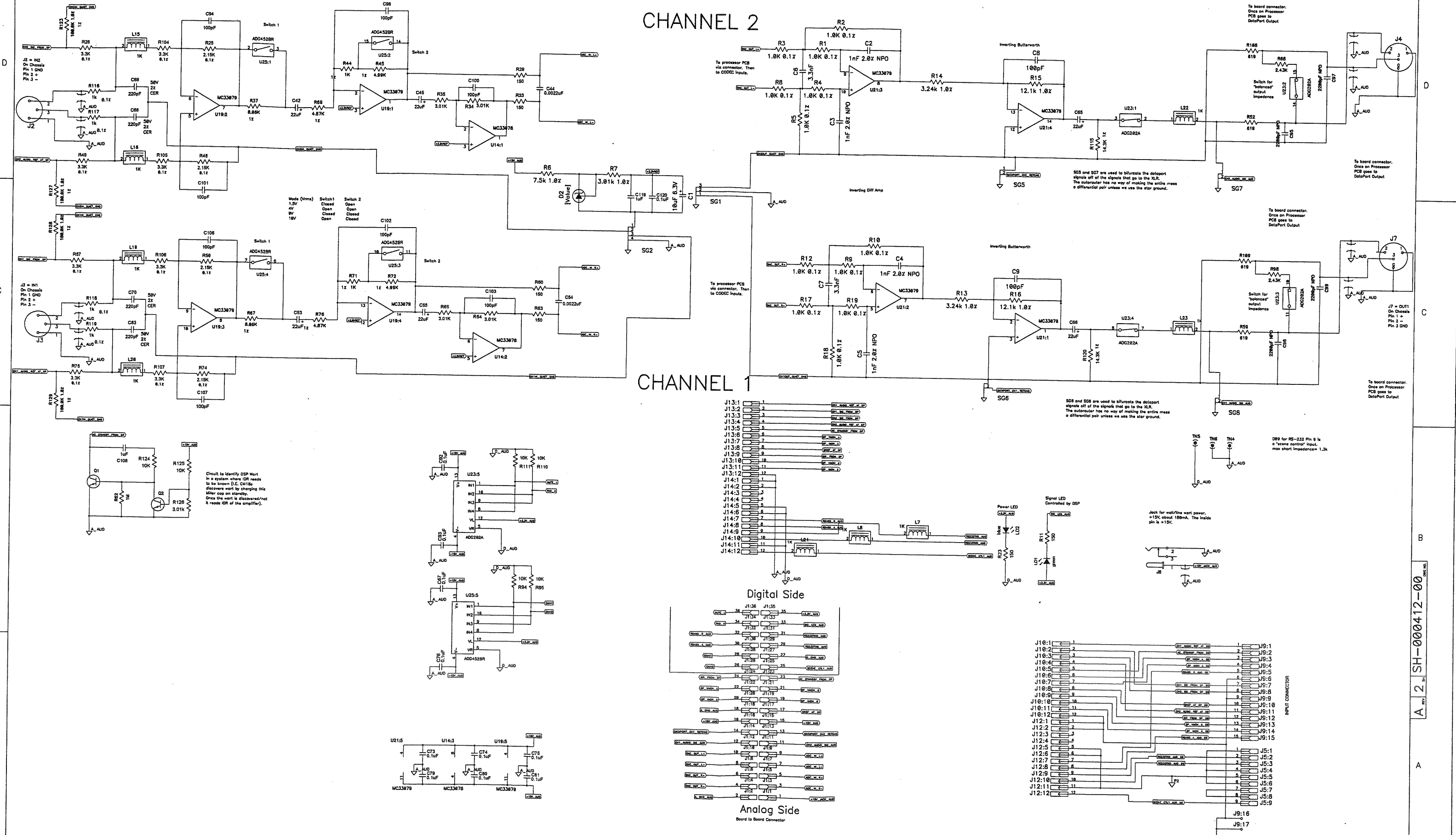
2

1

THIS DOCUMENT CONTAINS PROPRIETARY INFORMATION WHICH IS THE PROPERTY OF OSC AUDIO PRODUCTS. THAT MAY NOT BE DISCLOSED, REPRODUCED OR USED WITHOUT EXPRESS WRITTEN CONSENT FROM OSC AUDIO PRODUCTS.

Made (Vrms) Switch1 Switch 2
 1.5V Closed Open
 4V Open Closed
 8V Open Closed
 18V Open Closed

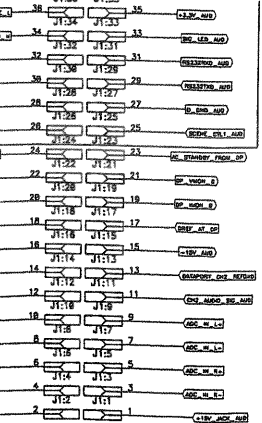
Made (Vrms) Switch1 Switch 2
 1.5V Closed Open
 4V Open Closed
 8V Open Closed
 18V Open Closed



CHANNEL 2

CHANNEL 1

Digital Side



Analog Side

Board to Board Connector

Circuit to identify DSP work in a system where IOR needs to be known (i.e. CH18a) discovers work by changing the filter cap on standby. Once the work is discovered, it needs IOR of the amplifier.

D89 for RS-232 Pin 9 is a "sense control" input. The autorouter has no way of making the entire mass a differential pair unless we use the star ground.

Jack for wall/line wart power. +15V, about 100mA. The inside pin is +15V.

NOTES: UNLESS OTHERWISE SPECIFIED

A 2 SH-000412-00