

THIS DOCUMENT CONTAINS PROPRIETARY INFORMATION WHICH IS THE PROPERTY OF QSC AUDIO PRODUCTS, THAT MAY NOT BE DISCLOSED, REPRODUCED OR USED WITHOUT EXPRESS WRITTEN CONSENT FROM QSC AUDIO PRODUCTS.

REVISION				
REV	DESCRIPTION	EFF. DATE	CHK	APPROVED / DATE
3	UPDATED NUMEROUS VALUES BY AA	3-28-00		
4	CHANGE PER RMX2450 ECRs & HPF COMP. VALUES	9-14-00	SA	
5	CREATE SEPERATE NON-T VERSION SCH.	9-27-00	SA	
6	CLEAN UP NOTES, ADDED TOLERANCE TO COG PARTS AA	2-21-01		

- 8. ZENER TOLERANCE IS 5%
- 7. SMT CAPACITOR VOLTAGE IS 50V
- 6. SMT RESISTOR WATTAGE RATING IS 0.1W
- 5. RESISTOR WATTAGE RATING IS 1/4W
FOR RESISTOR WATTAGE RATINGS GREATER THAN 1W, TOLERANCE IS 5%
FOR RESISTOR WATTAGE RATINGS LESS THAN 1/2W, TOLERANCE IS 1%
- 4. THROUGH-HOLE FILM AND CERAMIC CAPACITOR TOLERANCE IS 10%, VOLTAGE IS 100V
- 3. ELECTROLYTIC CAPACITOR TOLERANCE IS 20%
- 5. J104, J204 ARE CONNECTED PIN TO PIN BY 13-LINE RIBBON CABLE.
- 4 PART NUMBERING SCHEME
PARTS IN COMMON TO BOTH CH: 1-99. CH 1 PARTS 100-199. CH 2 PARTS 200-299
- 3. COMPONENTS MARKED WITH \triangle ARE SAFETY CRITICAL PARTS.
- 2. COMPONENTS WITH VALUE PREFIXED WITH A "*" REPRESENT SMT COMPONENTS.
- 1. THIS DRAWING USED IN CONJUNCTION WITH ASSEMBLY WP-004501-00

NOTES: UNLESS OTHERWISE SPECIFIED

QTY	ITEM NO.	PART NO.	DESCRIPTION	VENDOR
PARTS LIST				
UNLESS OTHERWISE SPECIFIED DIMENSIONS ARE IN INCHES. DIMENSIONS PER ANSI Y14.5-1982 TOLERANCES ARE: DECIMALS DECIMALS ANGLES .xx ± .xxx ± °			CONTRACT NO.	
DEBURR EDGES .XXX R MAX MATERIAL			APPROVALS	DATE
FINISH			PAT QUILTER	2-25-00
NEXT ASSY USED ON			CHECKED	
APPLICATION			ISSUED	
DO NOT SCALE DRAWING			CAD SEED FILE NO.	PLOT DATE: Mon Mar 19, 2001

QSC AUDIO PRODUCTS, INC.
COSTA MESA, CALIFORNIA

SCHEMATIC DIAGRAM
ISA 750

SIZE: D FSCM NO. DWG NO. **SH-007501-00** REV **6**

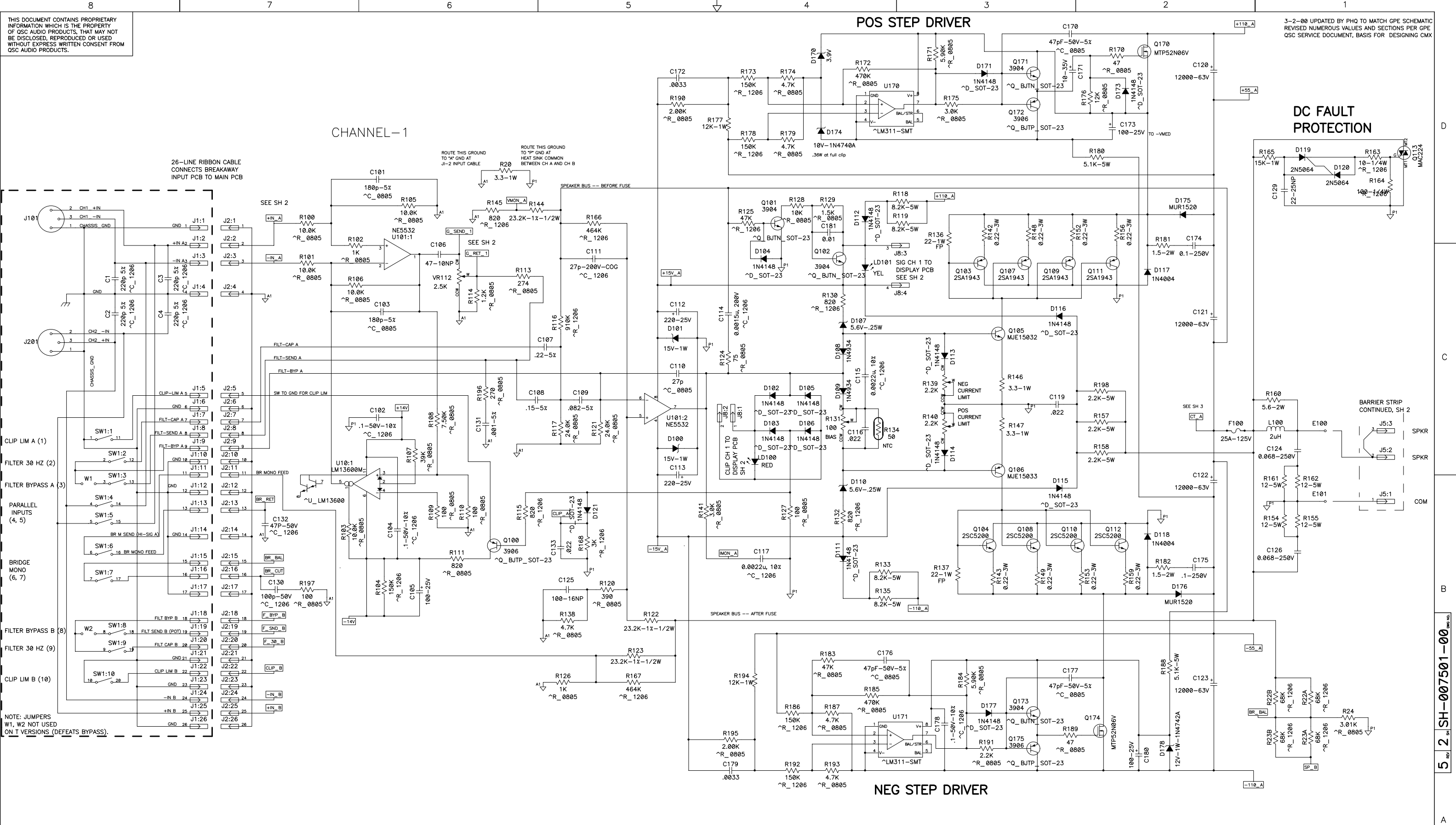
SCALE: NONE CAD FILE NO. Sh7501r6.sch SHEET 1 OF 4

PLOT DATE: Mon Mar 19, 2001

5 1 SH-007501-00

THIS DOCUMENT CONTAINS PROPRIETARY INFORMATION WHICH IS THE PROPERTY OF QSC AUDIO PRODUCTS, THAT MAY NOT BE DISCLOSED, REPRODUCED OR USED WITHOUT EXPRESS WRITTEN CONSENT FROM QSC AUDIO PRODUCTS.

3-2-00 UPDATED BY PHQ TO MATCH GPE SCHEMATIC REVISED NUMEROUS VALUES AND SECTIONS PER GPE QSC SERVICE DOCUMENT, BASIS FOR DESIGNING CMX



26-LINE RIBBON CABLE CONNECTS BREAKAWAY INPUT PCB TO MAIN PCB

- CLIP LIM A (1)
 - FILTER 30 HZ (2)
 - FILTER BYPASS A (3)
 - PARALLEL INPUTS (4, 5)
 - BRIDGE MONO (6, 7)
 - FILTER BYPASS B (8)
 - FILTER 30 HZ (9)
 - CLIP LIM B (10)
- NOTE: JUMPERS W1, W2 NOT USED ON I VERSIONS (DEFEATS BYPASS).

NOTES: UNLESS OTHERWISE SPECIFIED

SIZE	FSCM NO.	DWG NO.	REV
D		SH-007501-00	5
SCALE	CAD FILE NO.	SHEET 2 OF 4	
NONE	Sh7501r6.sch		

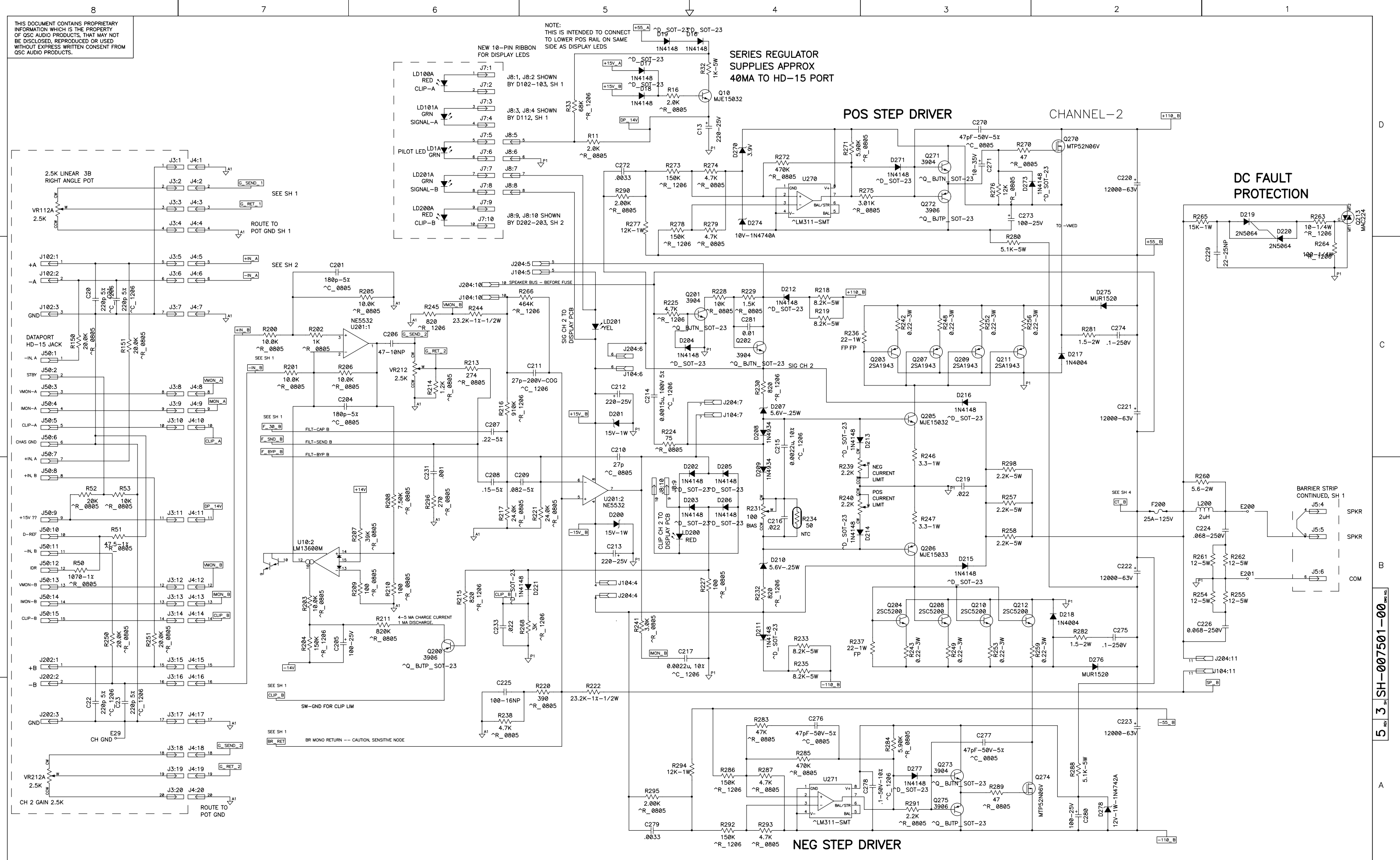
PLOT DATE: Mon Mar 19, 2001

5 Rev 2 SH-007501-00

THIS DOCUMENT CONTAINS PROPRIETARY INFORMATION WHICH IS THE PROPERTY OF OSC AUDIO PRODUCTS. THAT MAY NOT BE DISCLOSED, REPRODUCED OR USED WITHOUT EXPRESS WRITTEN CONSENT FROM OSC AUDIO PRODUCTS.

NOTE: THIS IS INTENDED TO CONNECT TO LOWER POS RAIL ON SAME SIDE AS DISPLAY LEADS

SERIES REGULATOR SUPPLIES APPROX 40MA TO HD-15 PORT



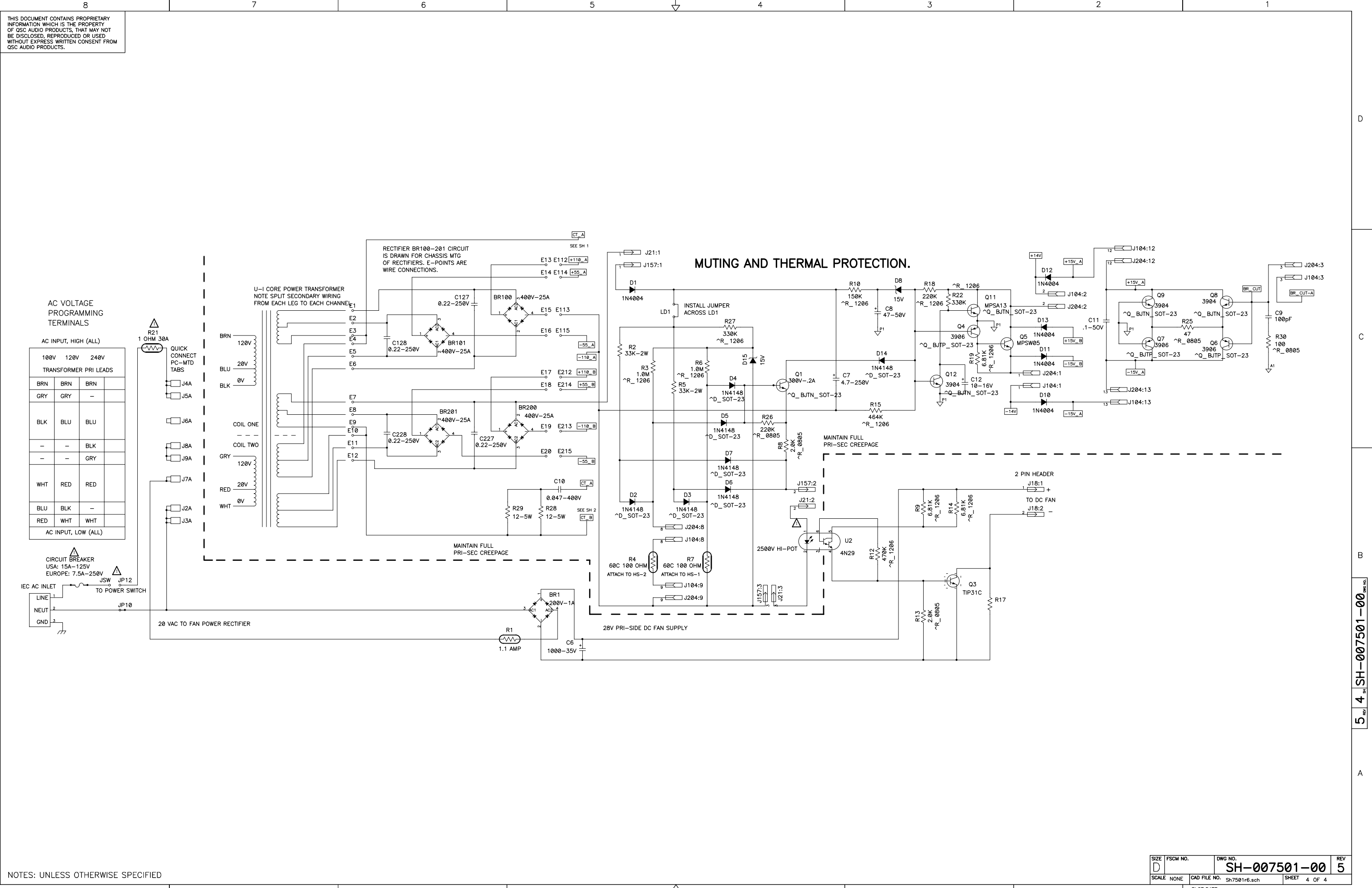
NOTES: UNLESS OTHERWISE SPECIFIED

SIZE	FSCM NO.	DWG NO.	REV
D		SH-007501-00	5
SCALE	NONE	CAD FILE NO.	SHEET
		Sh7501r6.sch	3 OF 4

PLOT DATE: Mon Mar 19, 2001

5 3 SH-007501-00

THIS DOCUMENT CONTAINS PROPRIETARY INFORMATION WHICH IS THE PROPERTY OF QSC AUDIO PRODUCTS, THAT MAY NOT BE DISCLOSED, REPRODUCED OR USED WITHOUT EXPRESS WRITTEN CONSENT FROM QSC AUDIO PRODUCTS.



NOTES: UNLESS OTHERWISE SPECIFIED

5 REV 4 SH-007501-00


THIS DOCUMENT CONTAINS PROPRIETARY INFORMATION WHICH IS THE PROPERTY OF QSC AUDIO PRODUCTS, THAT MAY NOT BE DISCLOSED, REPRODUCED OR USED WITHOUT EXPRESS WRITTEN CONSENT FROM QSC AUDIO PRODUCTS.

REVISION				
REV	DESCRIPTION	EFF. DATE	CHK	APPROVED / DATE
A	PRODUCTION RELEASE PER ECO 4597 WR	6-08-01		DD
B	REVISED PER ECO 4841A AA	4-05-02		DD
C	CANCEL ECO 4845 AA	8-20-02		DD
D	REVISED PER ECO 4860 AA	11-15-02		DD
E	REVISED PER ECO 4883 AA	2-14-03		DD
F	REVISED PER ECO 4893 AA	4-25-03		DD
G	REVISED PER ECO 5958 AA	12-15-03		

- 11. ZENER TOLERANCE IS 5%
- 10. SMT CAPACITOR VOLTAGE IS 50V
- 9. SMT RESISTOR WATTAGE RATING IS 0.1W
- 8. RESISTOR WATTAGE RATING IS 1/4W
FOR RESISTOR WATTAGE RATINGS GREATER THAN 1W, TOLERANCE IS 5%
FOR RESISTOR WATTAGE RATINGS LESS THAN 1/2W, TOLERANCE IS 1%
- 7. THROUGH-HOLE FILM AND CERAMIC CAPACITOR TOLERANCE IS 10%, VOLTAGE IS 100V
- 6. ELECTROLYTIC CAPACITOR TOLERANCE IS 20%
- 5. J104, J204 ARE CONNECTED PIN TO PIN BY 13-LINE RIBBON CABLE.
- 4. PART NUMBERING SCHEME
PARTS IN COMMON TO BOTH CH: 1-99. CH 1 PARTS 100-199. CH 2 PARTS 200-299
- 3. COMPONENTS MARKED WITH \triangle ARE SAFETY CRITICAL PARTS.
- 2. COMPONENTS WITH VALUE PREFIXED WITH A "*" REPRESENT SMT COMPONENTS.
- 1. THIS DRAWING USED IN CONJUNCTION WITH ASSEMBLY WP-007501-00

NOTES: UNLESS OTHERWISE SPECIFIED

QTY	ITEM NO.	PART NO.	DESCRIPTION	VENDOR
PARTS LIST				
UNLESS OTHERWISE SPECIFIED DIMENSIONS ARE IN INCHES. DIMENSIONS PER ANSI Y14.5-1982 TOLERANCES ARE: DECIMALS DECIMALS ANGLES .XX ± .XXX ± °			CONTRACT NO.	
DEBURR EDGES .XXX R MAX			APPROVALS DATE	
MATERIAL			DRAWN PAT QUILTER 2-25-00	
FINISH			CHECKED A. ARANDA 6-08-01	
DO NOT SCALE DRAWING			ISSUED G. WILSON 6-08-01	
			CAD SEED FILE NO. PLOT DATE: Tue Dec 16, 2003	
			SCALE NONE CAD FILE NO. SH7501rG.SCH SHEET 1 OF 4	

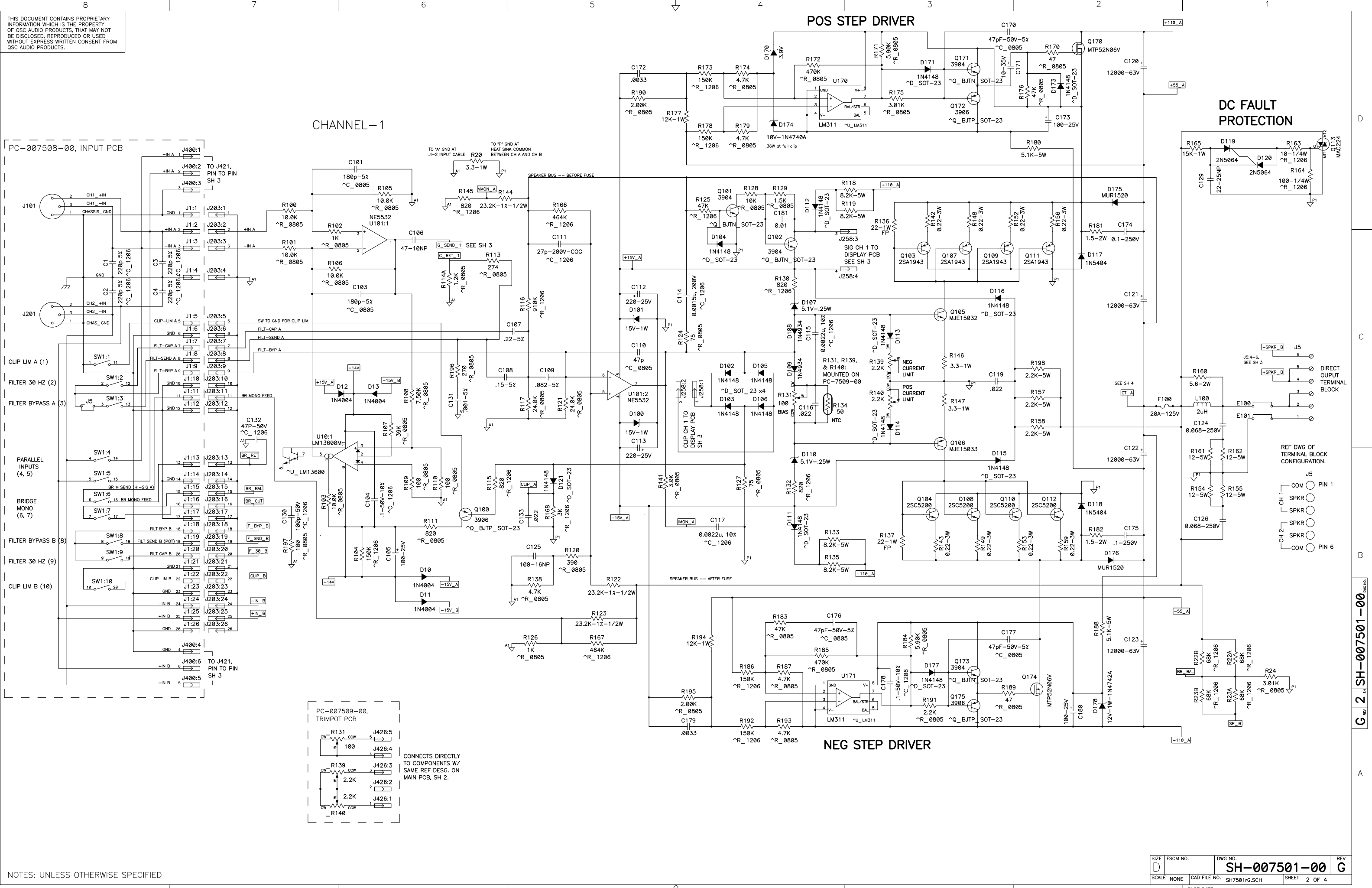


SCHEMATIC DIAGRAM
ISA 750

SIZE	FSCM NO.	DWG NO.	REV
D		SH-007501-00	G

G 1 SH-007501-00

THIS DOCUMENT CONTAINS PROPRIETARY INFORMATION WHICH IS THE PROPERTY OF QSC AUDIO PRODUCTS, THAT MAY NOT BE DISCLOSED, REPRODUCED OR USED WITHOUT EXPRESS WRITTEN CONSENT FROM QSC AUDIO PRODUCTS.



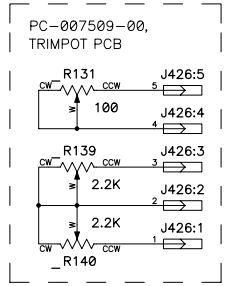
CHANNEL-1

POS STEP DRIVER

DC FAULT PROTECTION

NEG STEP DRIVER

PC-007508-00, INPUT PCB



CONNECTS DIRECTLY TO COMPONENTS W/ SAME REF DESC. ON MAIN PCB, SH 2.

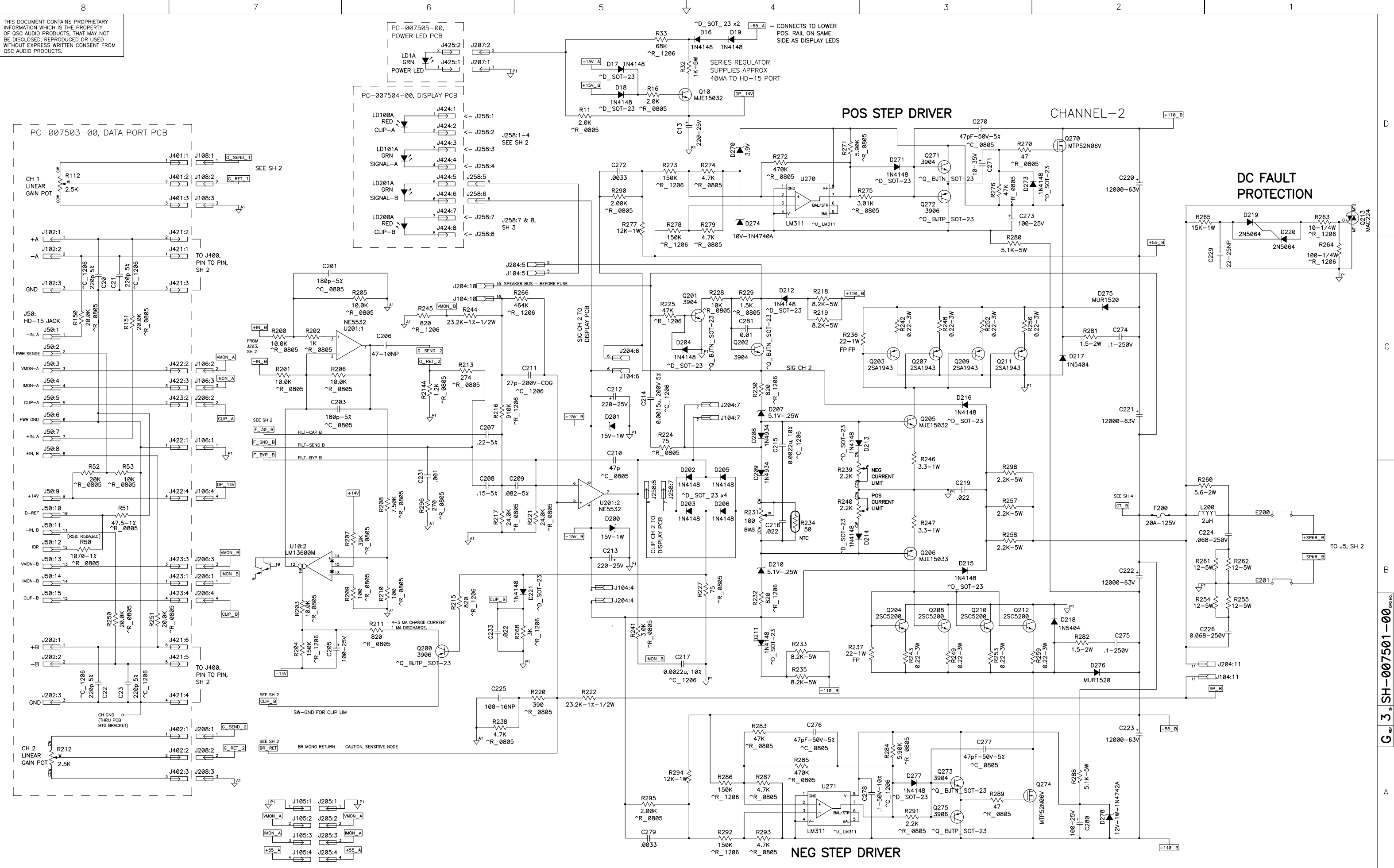
NOTES: UNLESS OTHERWISE SPECIFIED

SIZE	FSCM NO.	DWG NO.	REV
D		SH-007501-00	G
SCALE	CAD FILE NO.	SHEET	2 OF 4
NONE	SH7501TRG.SCH		

PLOT DATE: Tue Dec 16, 2003

G 2 SH-007501-00

THIS DOCUMENT CONTAINS PROPRIETARY INFORMATION WHICH IS THE PROPERTY OF OSC AUDIO PRODUCTS. THAT MAY NOT BE DISCLOSED, REPRODUCED OR USED WITHOUT EXPRESS WRITTEN CONSENT FROM OSC AUDIO PRODUCTS.



NOTES: UNLESS OTHERWISE SPECIFIED

SIZE	FSCM NO.	DWG NO.	REV
D		SH-007501-00	G
SCALE	NONE	CAD FILE NO.	SH7501rg.SCH
		SHEET	3 OF 4

PLOT DATE: Tue Dec 16, 2003

G 3 SH-007501-00

THIS DOCUMENT CONTAINS PROPRIETARY INFORMATION WHICH IS THE PROPERTY OF OSC AUDIO PRODUCTS, THAT MAY NOT BE DISCLOSED, REPRODUCED OR USED WITHOUT EXPRESS WRITTEN CONSENT FROM OSC AUDIO PRODUCTS.

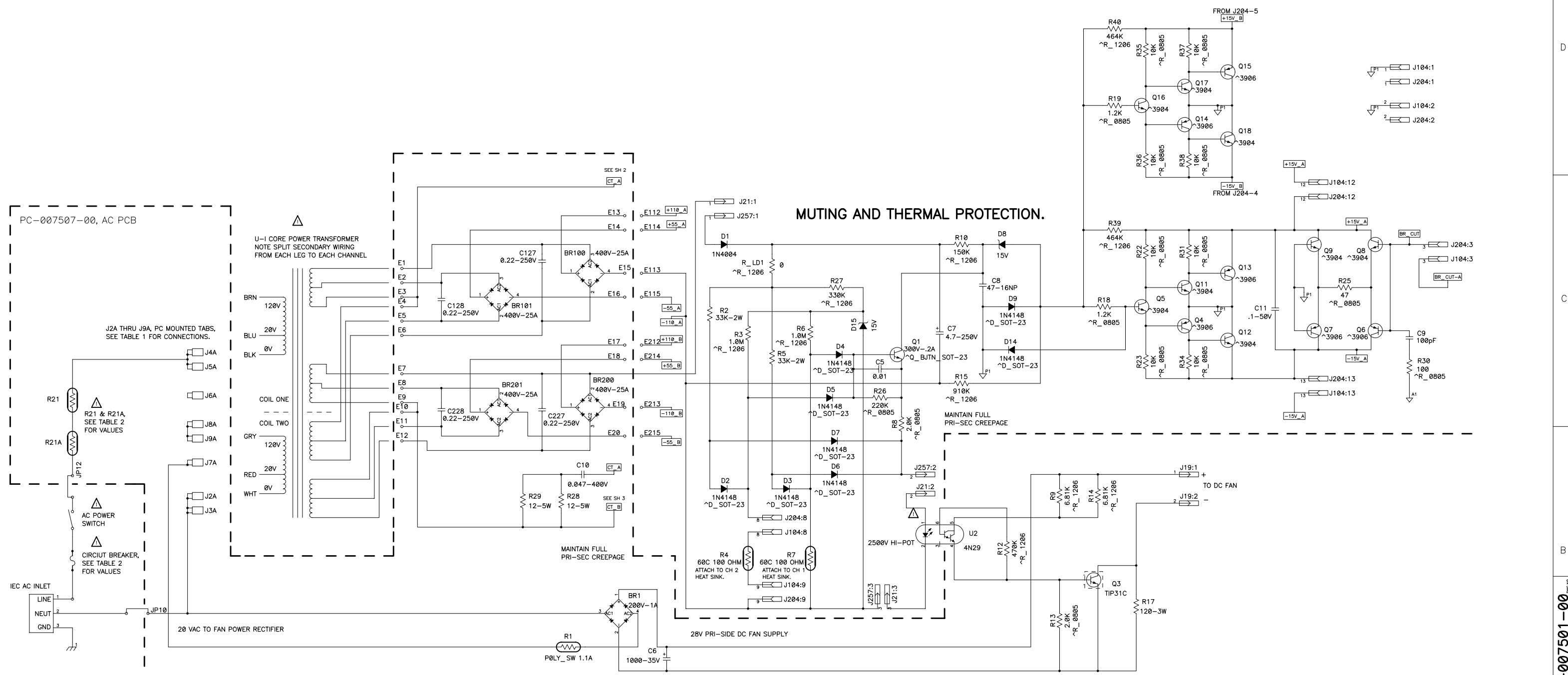


TABLE 1

POWER TRANSFORMER PRIMARY LEAD COLOR	AC LINE VOLTAGE			TAB
	100V	120V	240V	
BRN	BRN	BRN	BRN	J4A
GRY	GRY	-	-	J5A
BLK	BLU	BLU	BLU	J6A
-	-	BLK	BLK	J8A
-	-	GRY	GRY	J9A
WHT	RED	RED	RED	J7A
BLU	BLK	-	-	J2A
RED	WHT	WHT	WHT	J3A

TABLE 2

	AC LINE VOLTAGE		
	100V	120V	240V
CIRCUIT BREAKER	15A-125V	15A-125V	7.5A-250V
R21	1 OHM 30A	1 OHM 30A	4 OHM 15A
R21A	0 OHM (JUMPER)	0 OHM (JUMPER)	4 OHM 15A

NOTES: UNLESS OTHERWISE SPECIFIED

G 4 SH-007501-00