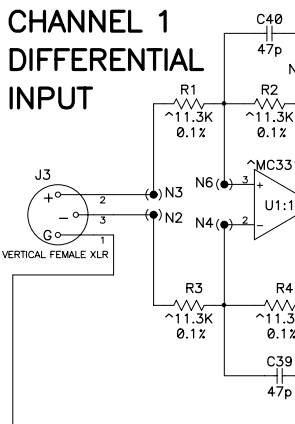


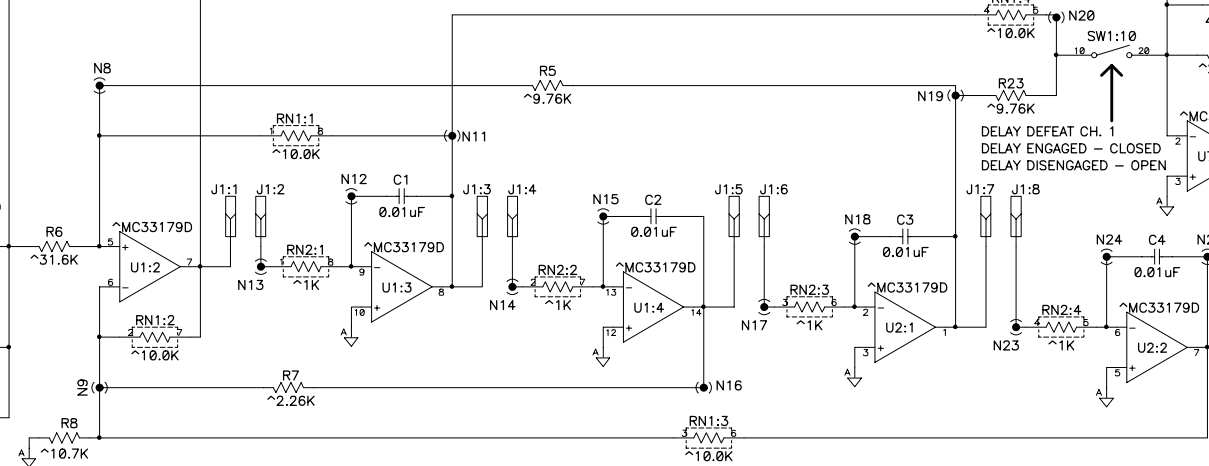
THIS DOCUMENT CONTAINS PROPRIETARY INFORMATION WHICH IS THE PROPERTY OF QSC AUDIO PRODUCTS, THAT MAY NOT BE DISCLOSED, REPRODUCED OR USED WITHOUT EXPRESS WRITTEN CONSENT FROM QSC AUDIO PRODUCTS.

REVISION				
REV	DESCRIPTION	EFF. DATE	CHK	APPROVED / DATE

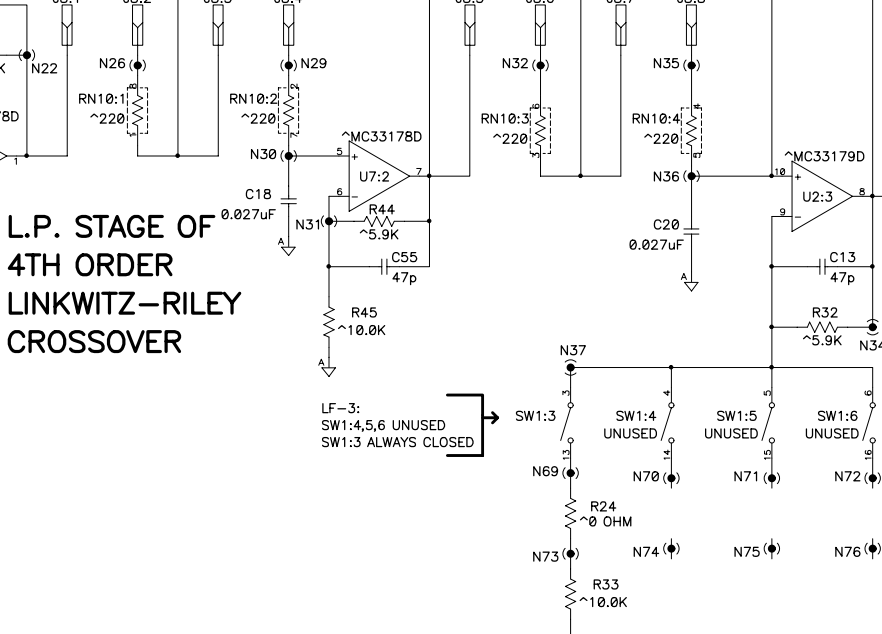
CHANNEL 1 DIFFERENTIAL INPUT



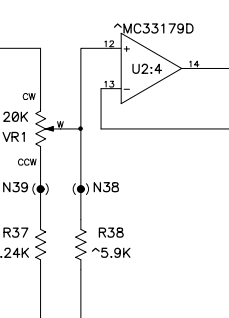
4TH ORDER LINEAR PHASE ALL-PASS DELAY



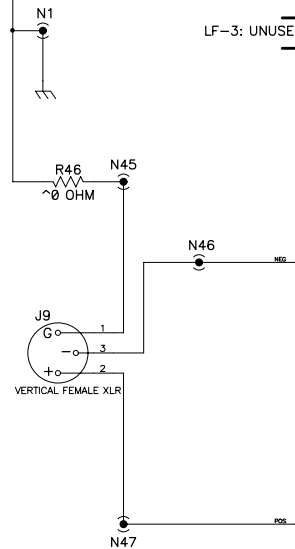
L.P. STAGE OF 4TH ORDER LINKWITZ-RILEY CROSSOVER



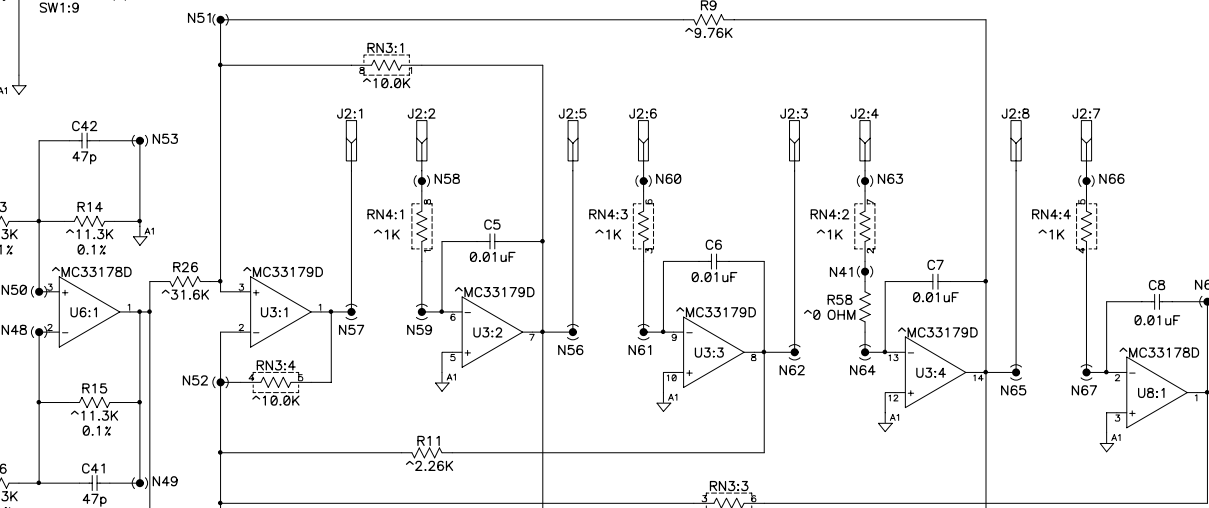
CH. 1 LEVEL ATTENUATOR 0 TO -20dB



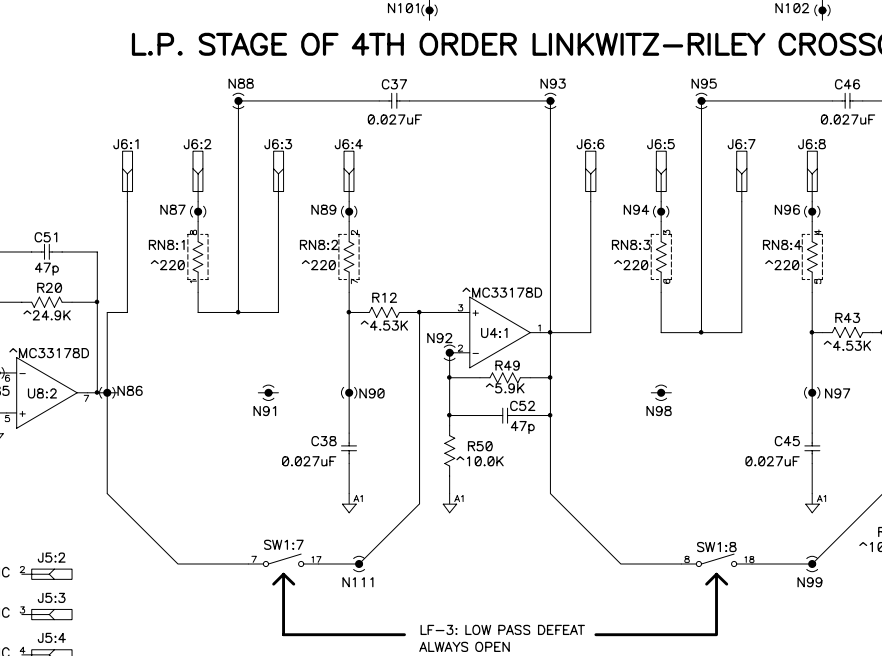
CHANNEL 2 DIFFERENTIAL INPUT



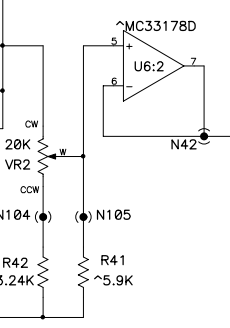
4TH ORDER LINEAR PHASE ALL-PASS DELAY



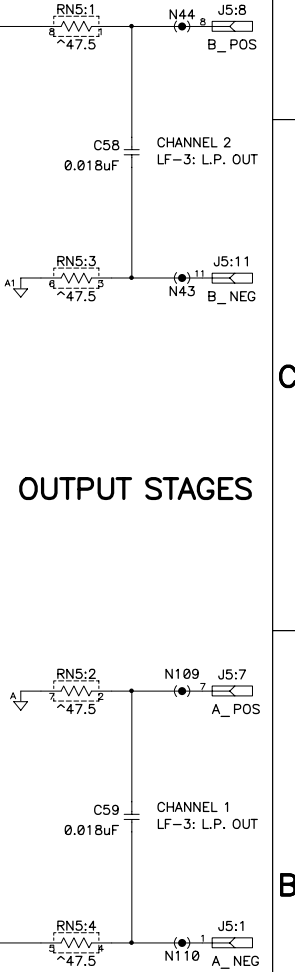
L.P. STAGE OF 4TH ORDER LINKWITZ-RILEY CROSSOVER



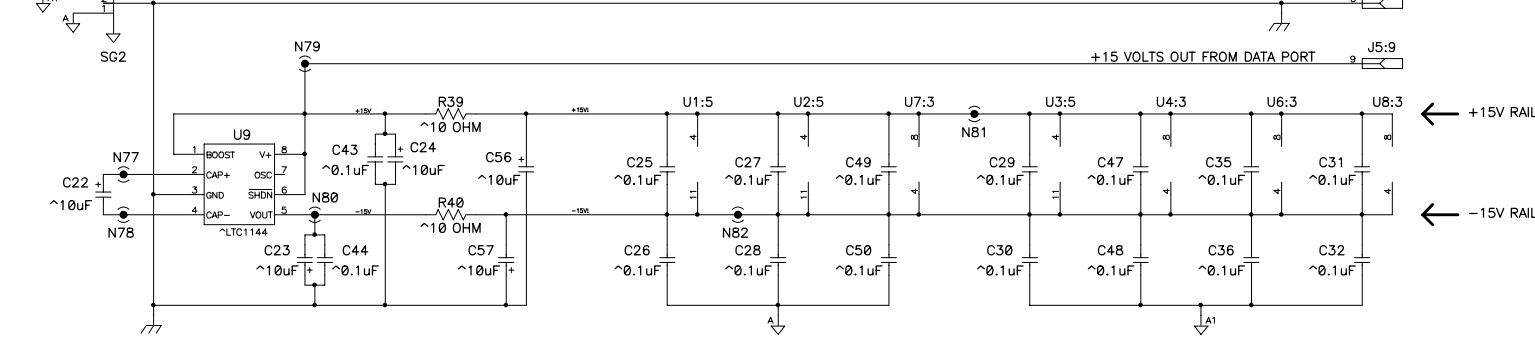
CH. 2 LEVEL ATTENUATOR 0 TO -20dB



OUTPUT STAGES



POWER SUPPLY



- J5:2 NC 2
- J5:3 NC 3
- J5:4 NC 4
- J5:5 NC 5
- J5:10 NC 10
- J5:12 NC 12
- J5:13 NC 13
- J5:14 NC 14
- J5:15 NC 15

QTY	ITEM NO.	PART NO.	DESCRIPTION	VENDOR
PARTS LIST				
UNLESS OTHERWISE SPECIFIED DIMENSIONS ARE IN INCHES. DIMENSIONS PER ANSI Y14.5-1982 TOLERANCES ARE:			QSC AUDIO PRODUCTS, INC. COSTA MESA, CALIFORNIA	
DECIMALS .XX ±	DECIMALS .XXX ±	ANGLES 0		
DRAWN ROBERT MUNIZ			APPROVALS	DATE
CHECKED W. Ruland			10/12/98	
ISSUED			1-7-99	
WP-000096-00	LF-3	FINISH	SCALE	DWG NO. SH-000096-00
NEXT ASSY	USED ON	CAD SEED FILE NO.	Fri Nov 10, 2000	SHEET 1 OF 1
APPLICATION			DO NOT SCALE DRAWING	P:\CINEMA WART

2. THIS DRAWING USED IN CONJUNCTION WITH ASSEMBLY WP-000096-00.
 1. ALL RESISTORS ARE 1%, 100V, 0805 AND ALL CAPACITORS ARE 5%, 50V.
 NOTES: UNLESS OTHERWISE SPECIFIED:

1 SH-000096-00