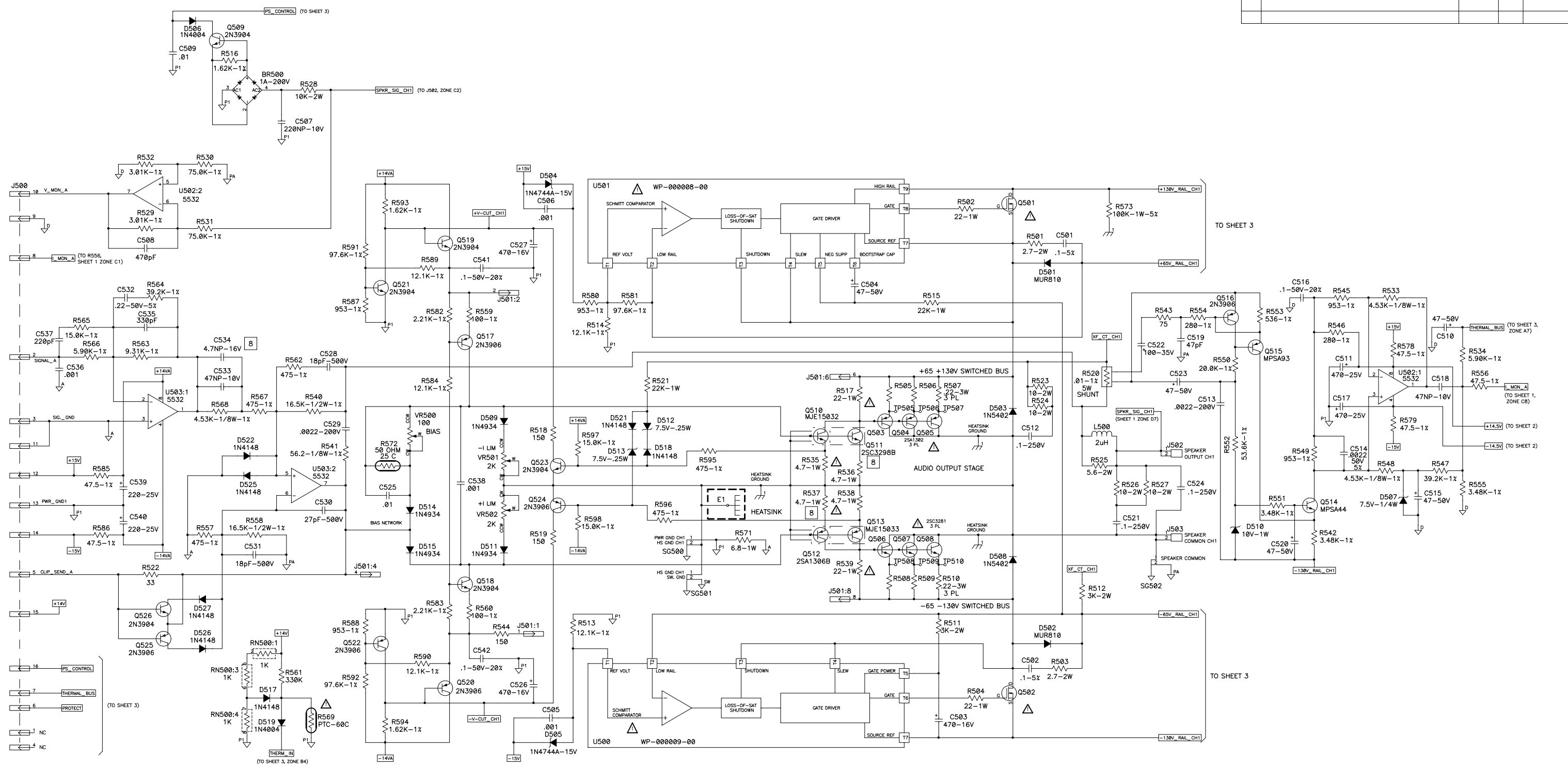


THIS DOCUMENT CONTAINS PROPRIETARY INFORMATION WHICH IS THE PROPERTY OF QSC AUDIO PRODUCTS. THAT MAY NOT BE DISCLOSED, REPRODUCED OR USED WITHOUT EXPRESS WRITTEN CONSENT FROM QSC AUDIO PRODUCTS.

REVISION				
REV	DESCRIPTION	EFF. DATE	CHK	APPROVED / DATE

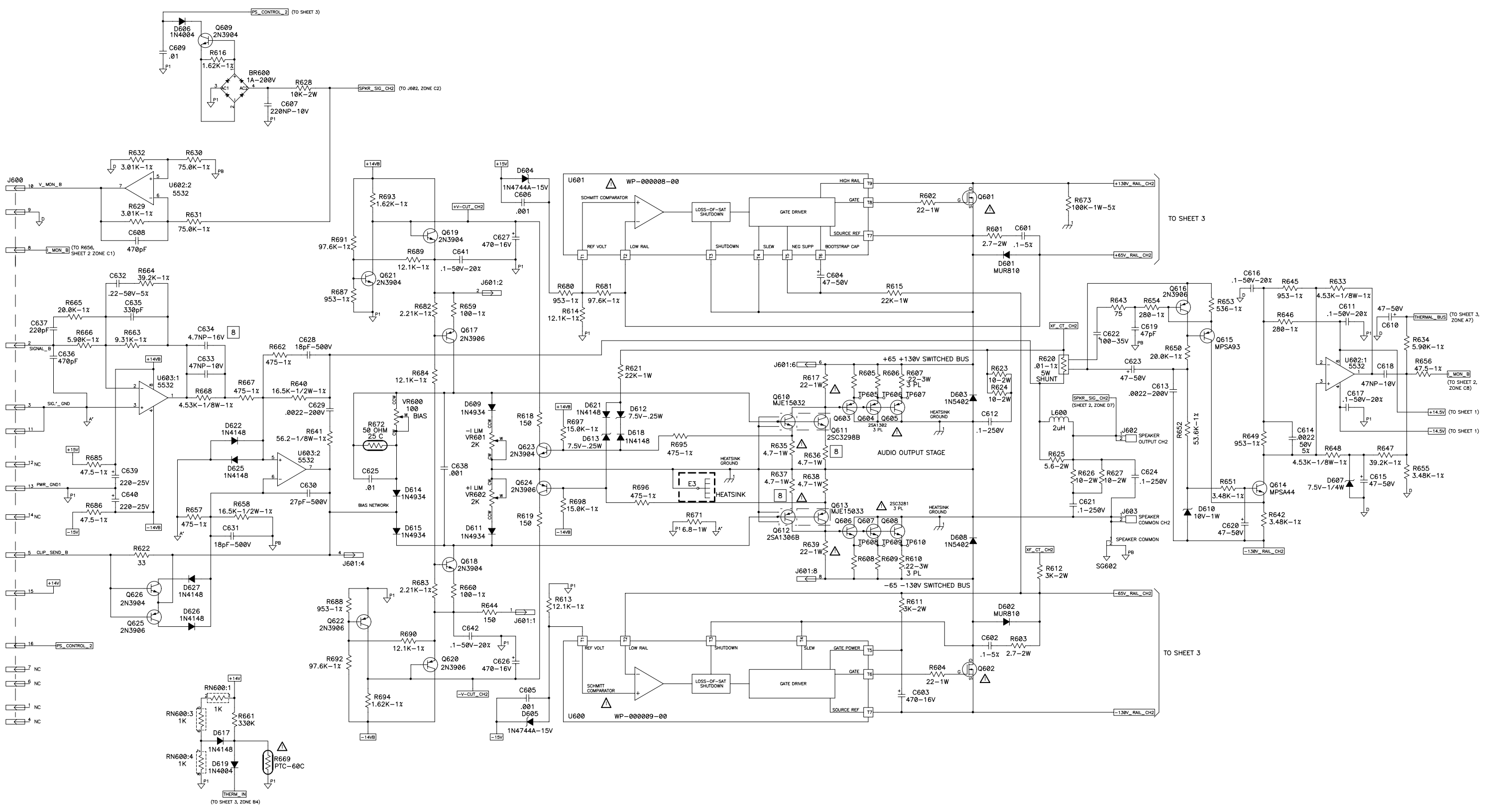


- Q501, 502, 601, 602 ARE SWITCHING FETS, QSC P/N QD-000030-QD, 125W, 100V MINIMUM, ON-RESISTANCE 0.080 OHMS MAX.
- R569, 669 ARE POSITIVE TEMPERATURE COEFFICIENT RESISTORS MOUNTED TO HEAT SINK. RESISTANCE 100 OHM COLD, RISING AT 55C. QSC P/N RE-000006-VP. R710 IS MOUNTED TO SIDE OF T703. QSC P/N RE-000009-PT.
- ALL CAPACITORS 100V. TOLERANCE 20% FOR ELECTROLYTIC TYPES, 10% ON OTHER TYPES.
- ALL RESISTORS ARE 1/4-WATT, 5%.
- THIS DRAWING USED IN CONJUNCTION WITH ASSEMBLY WP-000145-00.
- NOTES: UNLESS OTHERWISE SPECIFIED
- COMPONENTS C534, C634, Q511, Q512, Q611, Q612, R63, R536, R537, R636, R637 ARE SPARES AND ARE NOT LISTED IN THE BILL OF MATERIALS.
- PARTS MARKED WITH TRIANGLE Δ MUST BE REPLACED WITH EXACT TYPE ONLY.
- ZENERS D507, 512, 513, 607, 612, 613 AND D737, MARKED 7.5V, LOW LEAKAGE, QSC P/N QD-0007.5-ZT. ZENER D55, MARKED 6.2V, LOW LEAKAGE, QSC P/N QD-000024-QD.

QTY	ITEM NO.	PART NO.	DESCRIPTION	VENDOR
PARTS LIST				
UNLESS OTHERWISE SPECIFIED DIMENSIONS ARE IN INCHES. DIMENSIONS PER ANSI Y14.5-1982 TOLERANCES ARE:			QSC AUDIO PRODUCTS, INC. COSTA MESA, CALIFORNIA SCHEMATIC DIAGRAM MAIN PCB, PL 2.0 HV DP	
DECIMALS	DECIMALS	ANGLES		
.XX ±	.XXX ±	0		
DEBURR EDGES .XXX R MAX MATERIAL				
FINISH			CONTRACT NO. APPROVALS DATE DRAWN A. ARANDA 7-1-96 CHECKED W.R. 11-12-96 ISSUED T.S. 11-13-96 CAD SEED FILE NO.	
APPLICATION			SCALE NONE CAD FILE NO. SHPL20HV.ach SHEET 1 OF 3 PLOT DATE: Thu Sep 28, 2000	

B1 SH-000145-00

THIS DOCUMENT CONTAINS PROPRIETARY INFORMATION WHICH IS THE PROPERTY OF QSC AUDIO PRODUCTS. THAT MAY NOT BE DISCLOSED, REPRODUCED OR USED WITHOUT EXPRESS WRITTEN CONSENT FROM QSC AUDIO PRODUCTS.

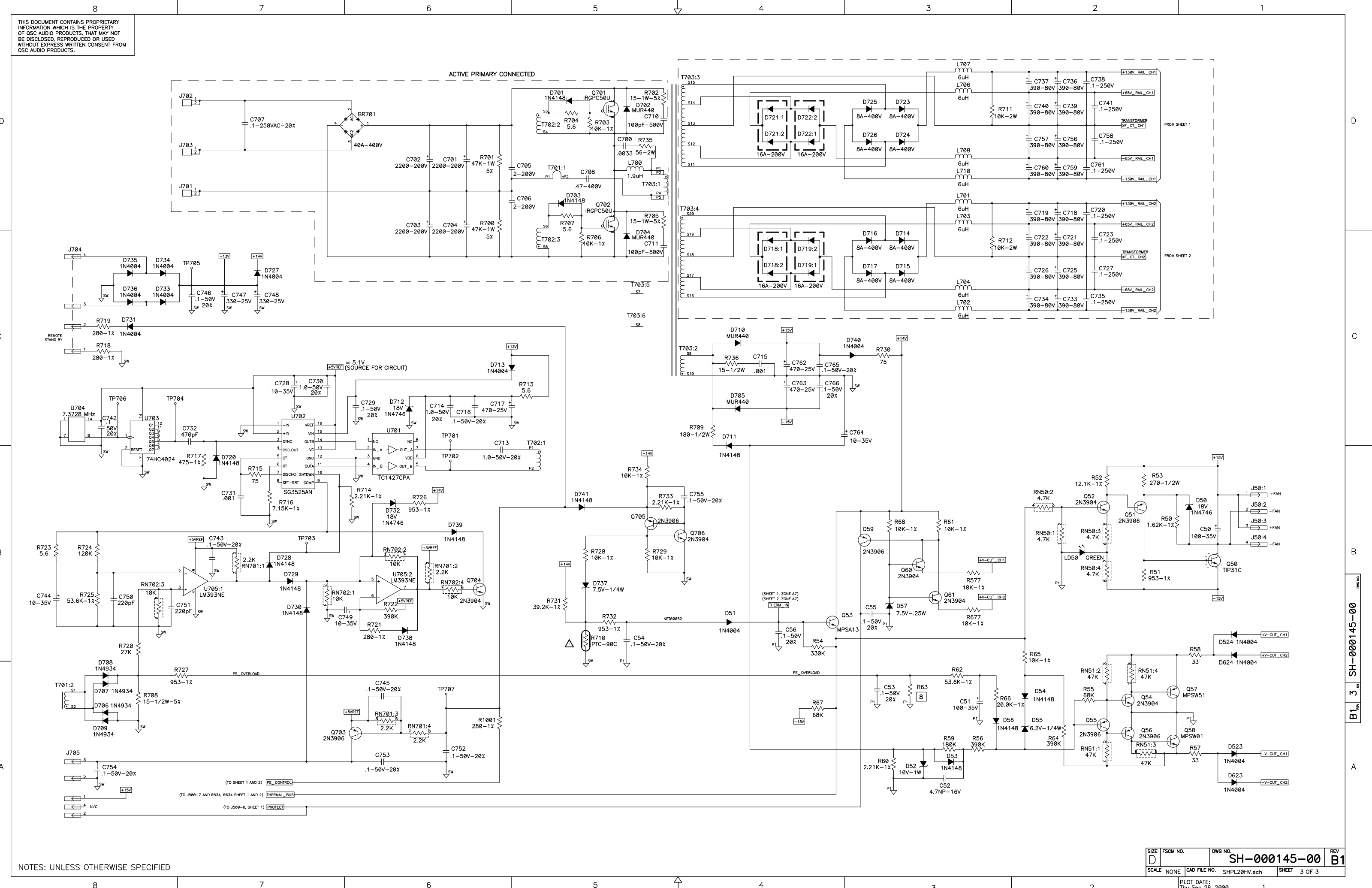


NOTES: UNLESS OTHERWISE SPECIFIED

SIZE D	FSCM NO.	DWG NO. SH-000145-00	REV B1
SCALE NONE	CAD FILE NO. SHPL20HV.sch	SHEET 2 OF 3	
PLOT DATE: Thu Sep 28, 2000		1	

B1_2 SH-000145-00

THIS DOCUMENT CONTAINS PROPRIETARY INFORMATION WHICH IS THE PROPERTY OF QSC AUDIO PRODUCTS. THAT MAY NOT BE DISCLOSED, REPRODUCED OR USED WITHOUT EXPRESS WRITTEN CONSENT FROM QSC AUDIO PRODUCTS.

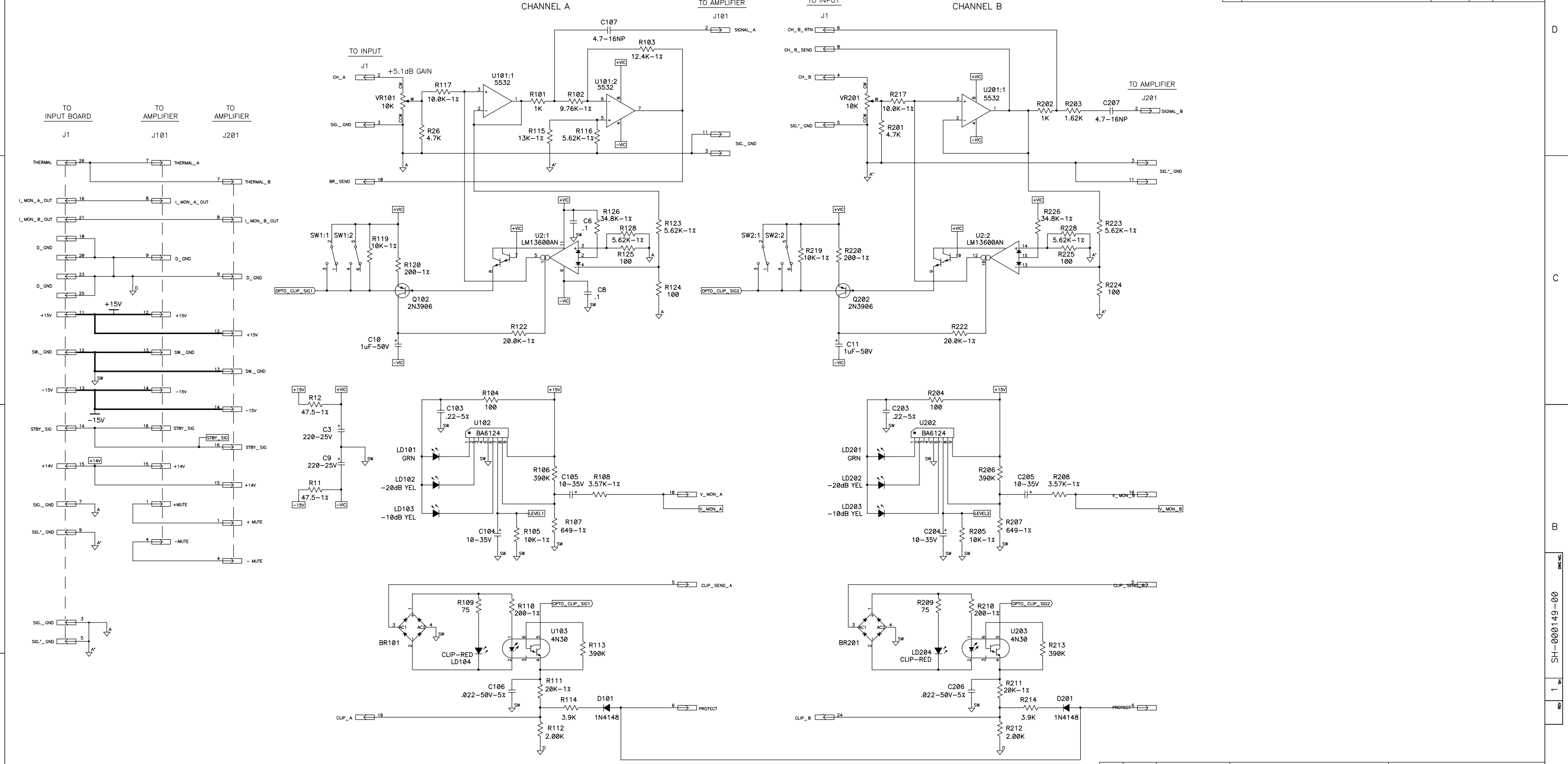


NOTES: UNLESS OTHERWISE SPECIFIED

SIZE	FSCM NO.	DWG NO.	REV
D		SH-000145-00	B1
SCALE	NONE	CAD FILE NO.	SHEET 3 OF 3
		SHPL20HV.sch	
		PLOT DATE:	
		Thu Sep 28, 2000	

THIS DOCUMENT CONTAINS PROPRIETARY INFORMATION WHICH IS THE PROPERTY OF QSC AUDIO PRODUCTS. THAT MAY NOT BE DISCLOSED, REPRODUCED OR USED WITHOUT EXPRESS WRITTEN CONSENT FROM QSC AUDIO PRODUCTS.

REVISION				
REV	DESCRIPTION	EFF. DATE	CHK	APPROVED / DATE



4. PARTS IN COMMON WITH BOTH CHANNELS NUMBERED 1-99.
 CH 1 COMPONENTS NUMBERED 101-199.
 CH 2 COMPONENTS NUMBERED 201-299.
 3. CAPACITORS ARE IN MICROFARADS, 25V MIN.
 2. RESISTORS ARE IN OHMS, 1/4W_400, 5%.
 1. THIS DRAWING USED IN CONJUNCTION WITH ASSEMBLY
 WP-000149-00 AND FABRICATION DRAWING PC-000149-00.
- NOTES: UNLESS OTHERWISE SPECIFIED

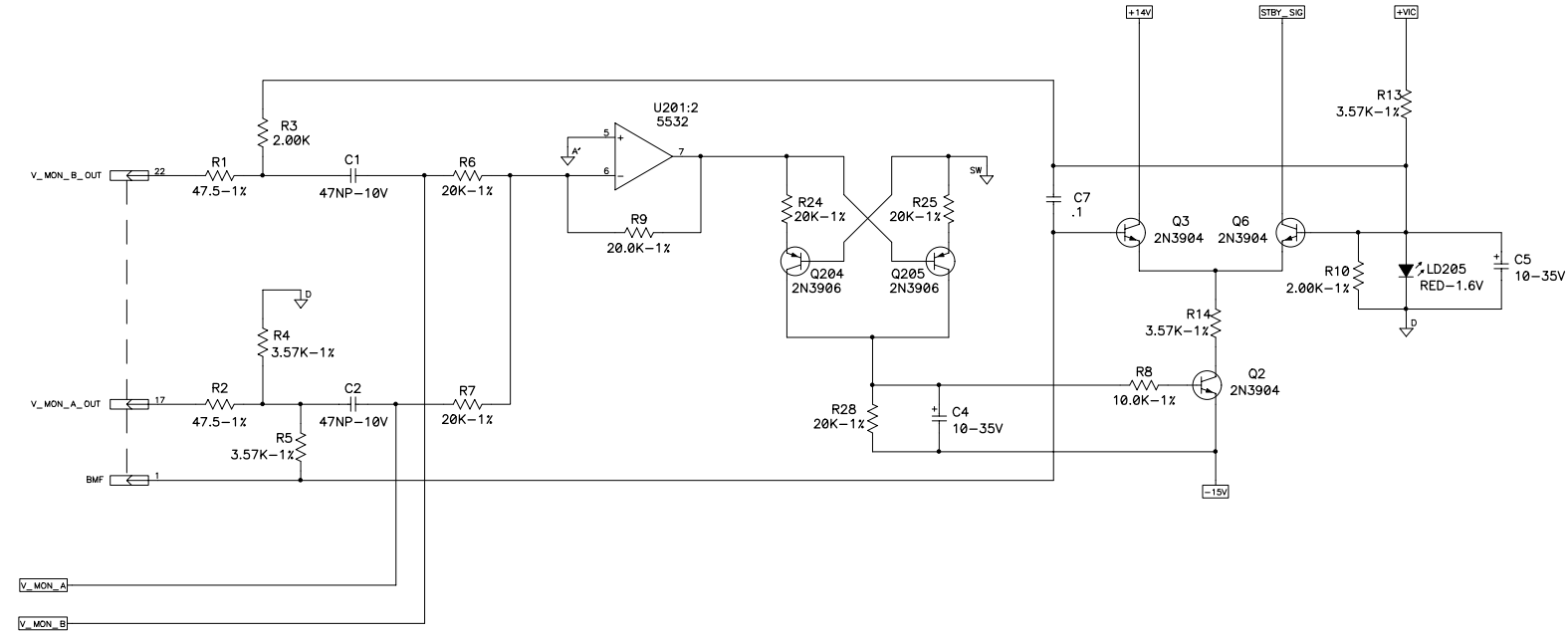
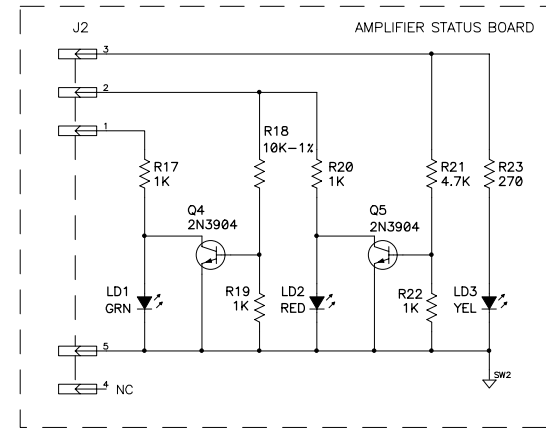
QTY	ITEM NO.	PART NO.	DESCRIPTION	VENDOR
PARTS LIST				
UNLESS OTHERWISE SPECIFIED DIMENSIONS ARE IN INCHES. DIMENSIONS PER ANSI Y14.5-1982 TOLERANCES ARE: DECIMALS DECIMALS ANGLES .XX ± .XXX ± 0			CONTRACT NO.	
DRAWN R. BECKER			APPROVALS	
CHECKED W. RULAND			DATE 3-12-96	
ISSUED T. SHOOK			DATE 8-21-96	
CAD SEED FILE NO. SH0149-B.SCH			DATE Thu May 04 2000	
SCALE NONE			DWG NO. SH-000149-00	
APPLICATION DO NOT SCALE DRAWING			REV 1 OF 2	

QSC AUDIO PRODUCTS, INC.
 COSTA MESA, CALIFORNIA

SCHEMATIC DIAGRAM
 DISPLAY, POWERLIGHT DP

SH-000149-00

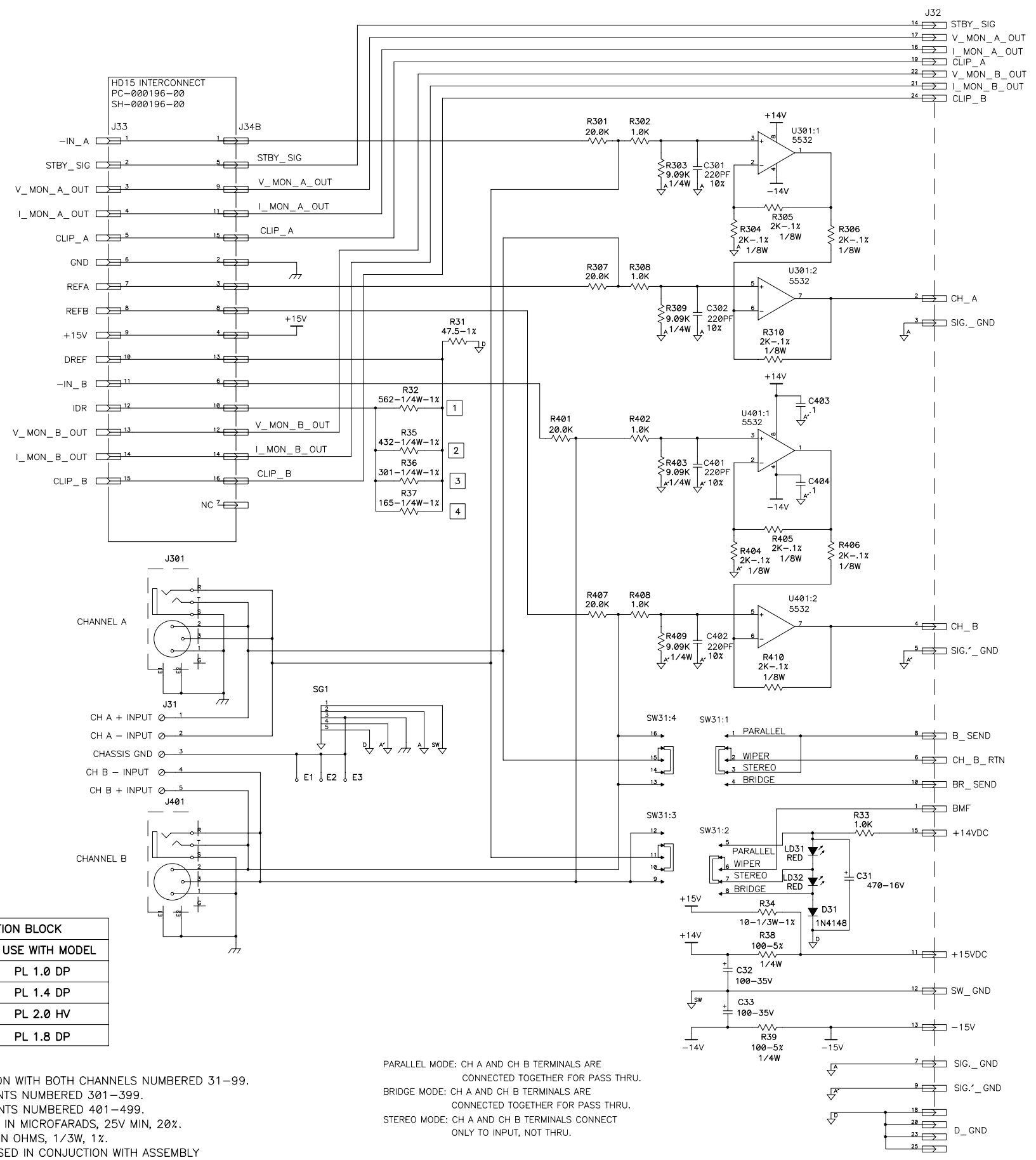
THIS DOCUMENT CONTAINS PROPRIETARY INFORMATION WHICH IS THE PROPERTY OF QSC AUDIO PRODUCTS. THAT MAY NOT BE DISCLOSED, REPRODUCED OR USED WITHOUT EXPRESS WRITTEN CONSENT FROM QSC AUDIO PRODUCTS.



NOTES: UNLESS OTHERWISE SPECIFIED

SIZE D	FSCM NO.	DWG NO. SH-000149-00	REV
SCALE NONE	CAD FILE NO. sh0149-c.sch	SHEET 2	

THIS DOCUMENT CONTAINS PROPRIETARY INFORMATION WHICH IS THE PROPERTY OF QSC AUDIO PRODUCTS. THAT MAY NOT BE DISCLOSED, REPRODUCED OR USED WITHOUT EXPRESS WRITTEN CONSENT FROM QSC AUDIO PRODUCTS.



TABULATION BLOCK		
REF. NO.	USE WITH MODEL	
1	R32	PL 1.0 DP
2	R35	PL 1.4 DP
3	R36	PL 2.0 HV
4	R37	PL 1.8 DP

4. PARTS IN COMMON WITH BOTH CHANNELS NUMBERED 31-99.
 CH A COMPONENTS NUMBERED 301-399.
 CH B COMPONENTS NUMBERED 401-499.
 3. CAPACITORS ARE IN MICROFARADS, 25V MIN, 20%.
 2. RESISTORS ARE IN OHMS, 1/3W, 1%.
 1. THIS DRAWING USED IN CONJUNCTION WITH ASSEMBLY
 WP-000148-00 AND FABRICATION DRAWING PC-000148-00.
 NOTES: UNLESS OTHERWISE SPECIFIED

PARALLEL MODE: CH A AND CH B TERMINALS ARE CONNECTED TOGETHER FOR PASS THRU.
 BRIDGE MODE: CH A AND CH B TERMINALS ARE CONNECTED TOGETHER FOR PASS THRU.
 STEREO MODE: CH A AND CH B TERMINALS CONNECT ONLY TO INPUT, NOT THRU.

QTY	ITEM NO.	PART NO.	DESCRIPTION	VENDOR
PARTS LIST				
UNLESS OTHERWISE SPECIFIED DIMENSIONS ARE IN INCHES. DIMENSIONS PER ANSI Y14.5-1982 TOLERANCES ARE: DECIMALS DECIMALS ANGLES .xx ± .xxx ± 0 DEBURR EDGES .XXX R MAX MATERIAL			QSC AUDIO PRODUCTS, INC. COSTA MESA, CALIFORNIA SCHEMATIC DIAGRAM INPUT, POWERLIGHT 1.8 DP	
DRAWN A. CERRILLO		DATE 2-28-96		CONTRACT NO. APPROVALS CHECKED W. RULAND 8-21-96 ISSUED TIM SHOOK 8-22-96 CAD SEED FILE NO. SH0148-2.SCH
WP-000148-00 POWERLIGHT 1.8 DP NEXT ASSY USED ON		FINISH SCALE NONE DWG NO. SH-000148-00 REV 1 OF 1		
APPLICATION			DO NOT SCALE DRAWING	

SH-000148-00

A