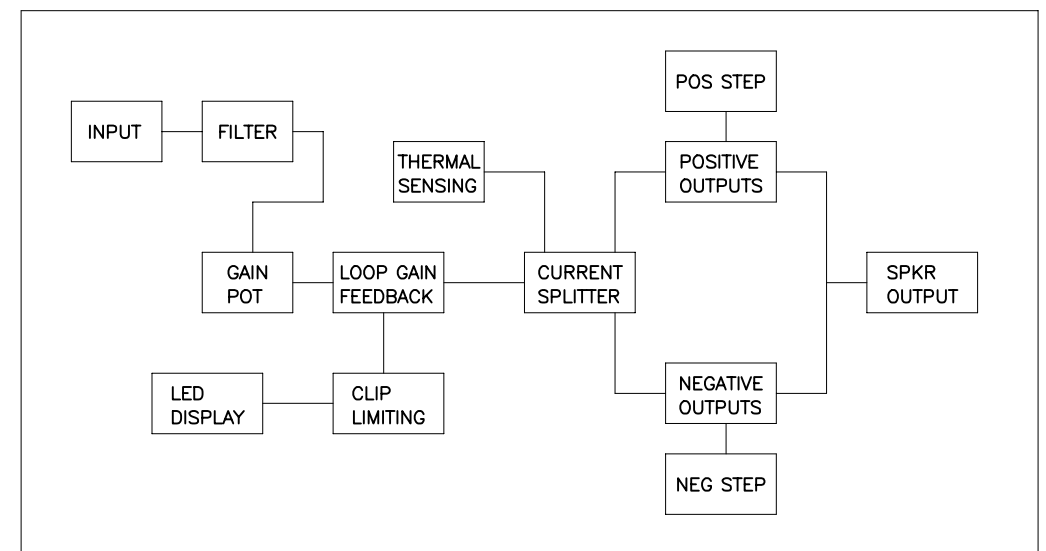
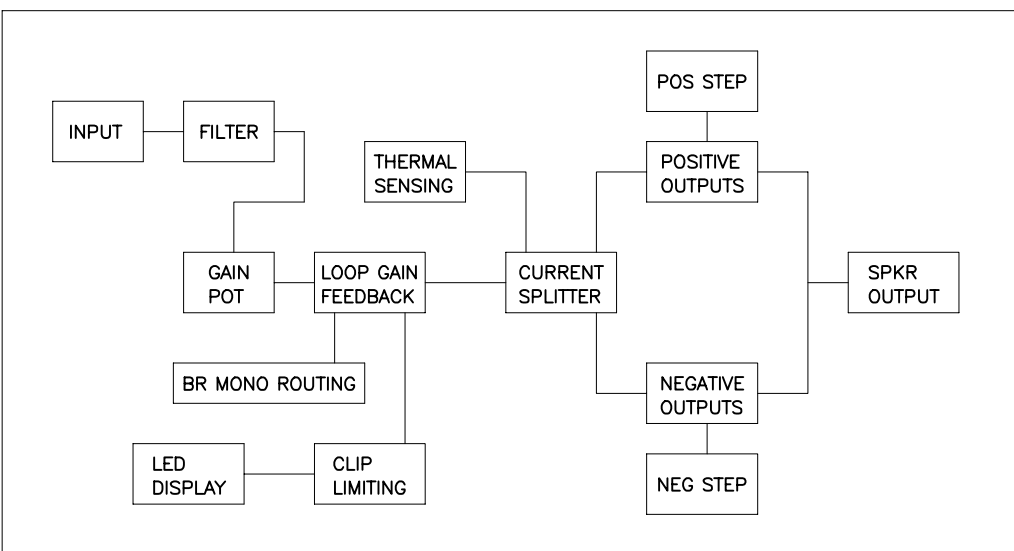


THIS DOCUMENT CONTAINS PROPRIETARY INFORMATION WHICH IS THE PROPERTY OF QSC AUDIO PRODUCTS, THAT MAY NOT BE DISCLOSED, REPRODUCED OR USED WITHOUT EXPRESS WRITTEN CONSENT FROM QSC AUDIO PRODUCTS.

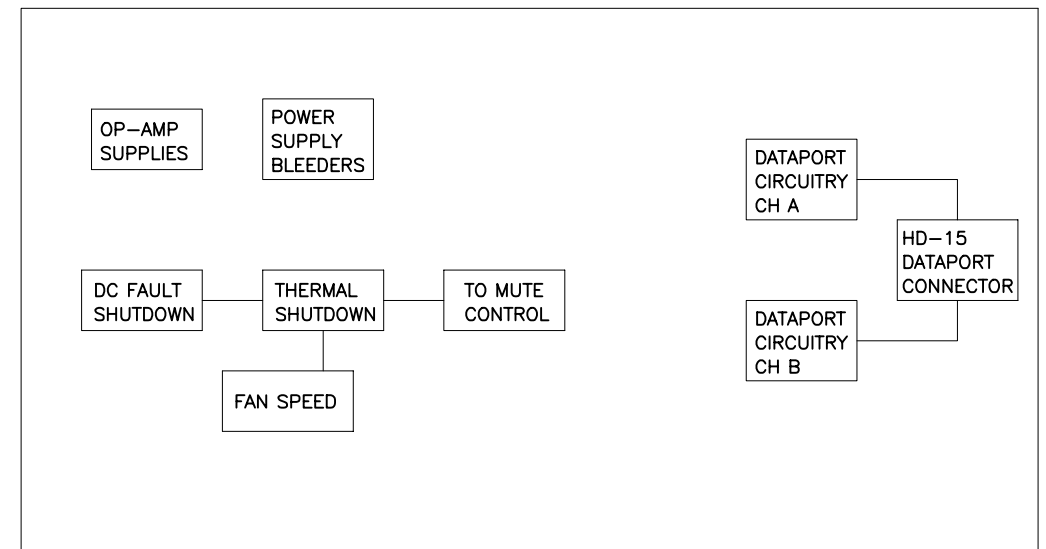
REVISION				
REV	DESCRIPTION	EFF. DATE	CHK	APPROVED / DATE



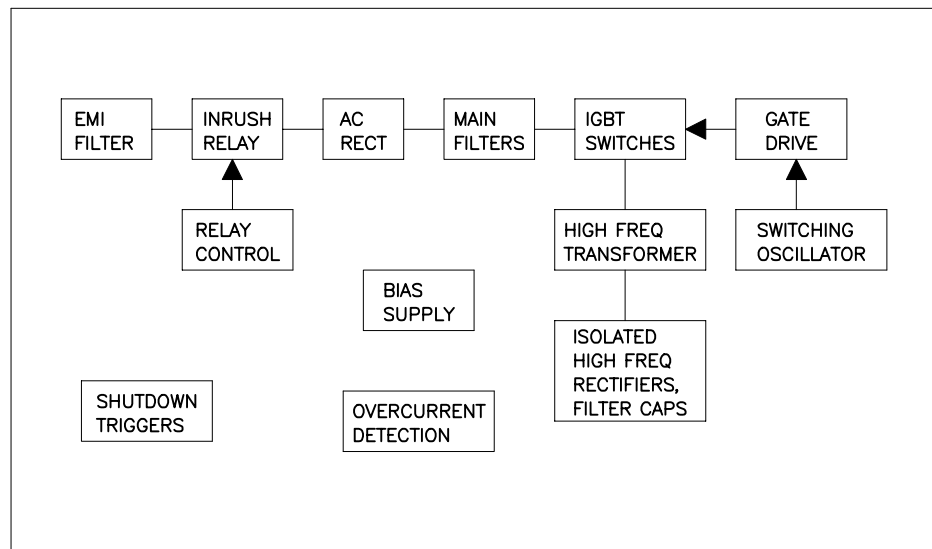
CHANNEL A  
AUDIO CIRCUITS  
SHEET 2



CHANNEL B  
AUDIO CIRCUITS  
SHEET 3



SUPPORT,  
PROTECTION  
AND DATAPORT  
CIRCUITS  
SHEET 4



SWITCHING  
POWER  
SUPPLY  
SHEET 5

TABULATION BLOCK			
DASH NO.	F1	1	R321, 322, 326, 328 2
-00 (120V)	25A, 125V		487K
-01 (100V)	25A, 125V		392K
-02 (230V)	15A, 250V		487K

QTY	ITEM NO.	PART NO.	DESCRIPTION	VENDOR
UNLESS OTHERWISE SPECIFIED DIMENSIONS ARE IN INCHES. DIMENSIONS PER ANSI Y14.5-1982 TOLERANCES ARE: DECIMALS DECIMALS ANGLES .XX ± .XXX ± ° DEBURR EDGES .XXX R MAX MATERIAL FINISH				
CONTRACT NO.			APPROVALS DATE	
DRAWN PAT QUILTER 5-15-98			CHECKED I. OVERHOLT 4-5-00	
ISSUED D. DELARM 4-12-00			CAD SEED FILE NO.	
PLOT DATE: Tue, Sep 12, 2000			SCALE NONE	
APPLICATION			DO NOT SCALE DRAWING	

**QSC** AUDIO PRODUCTS, INC.  
COSTA MESA, CALIFORNIA

**SCHEMATIC DIAGRAM**  
**PL 218**

SIZE **D** FSCM NO. DWG NO. **SH-001806-00** REV  
SCALE NONE CAD FILE NO. PL218SCH.sch SHEET 1 OF 5

2. COMPONENTS WITH VALUE PREFIXED WITH A "\*" REPRESENT SMT COMPONENTS.  
1. THIS DRAWING USED IN CONJUNCTION WITH ASSEMBLY WP-001806-XX.  
NOTES: UNLESS OTHERWISE SPECIFIED

DWG NO. SH-001806-00

REV 1

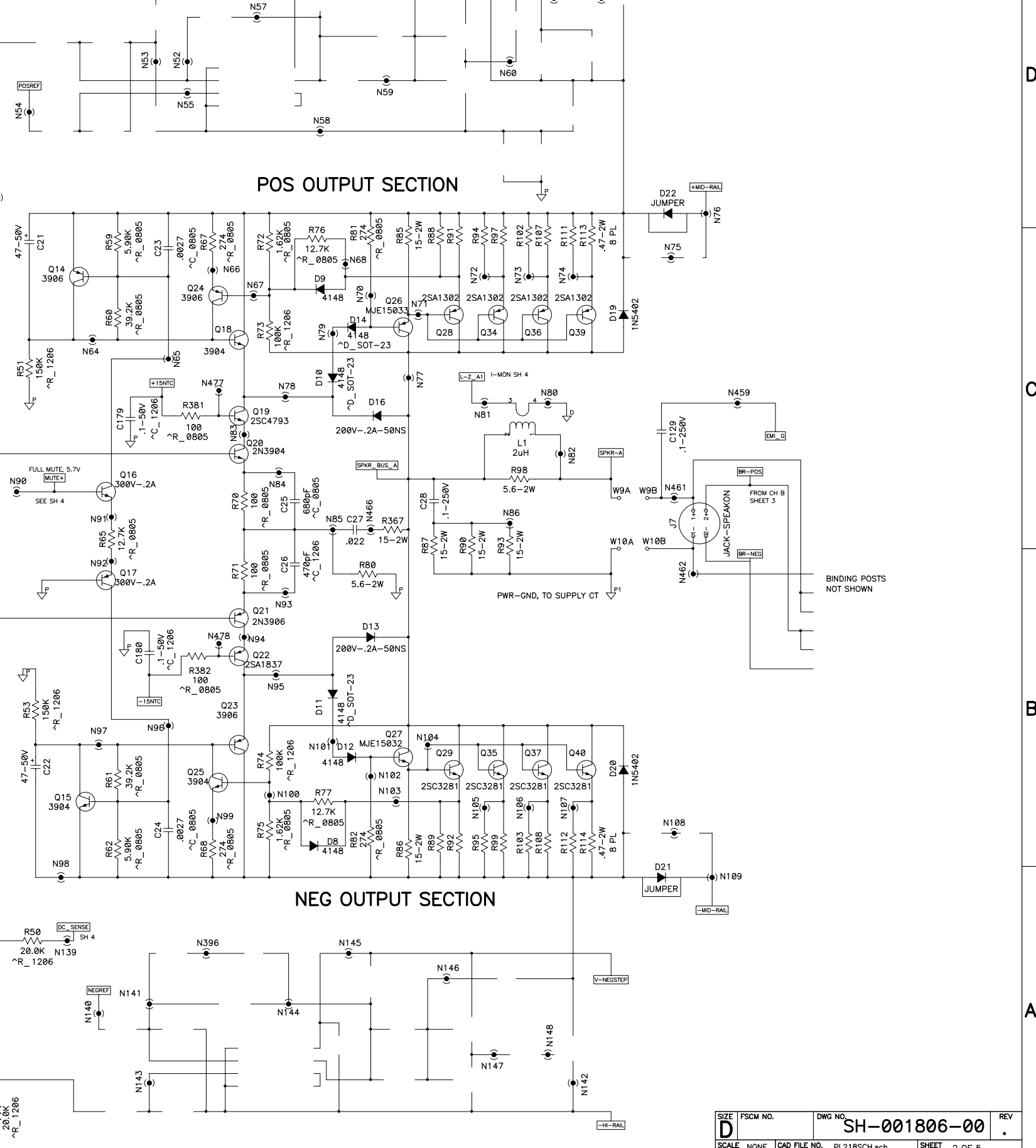
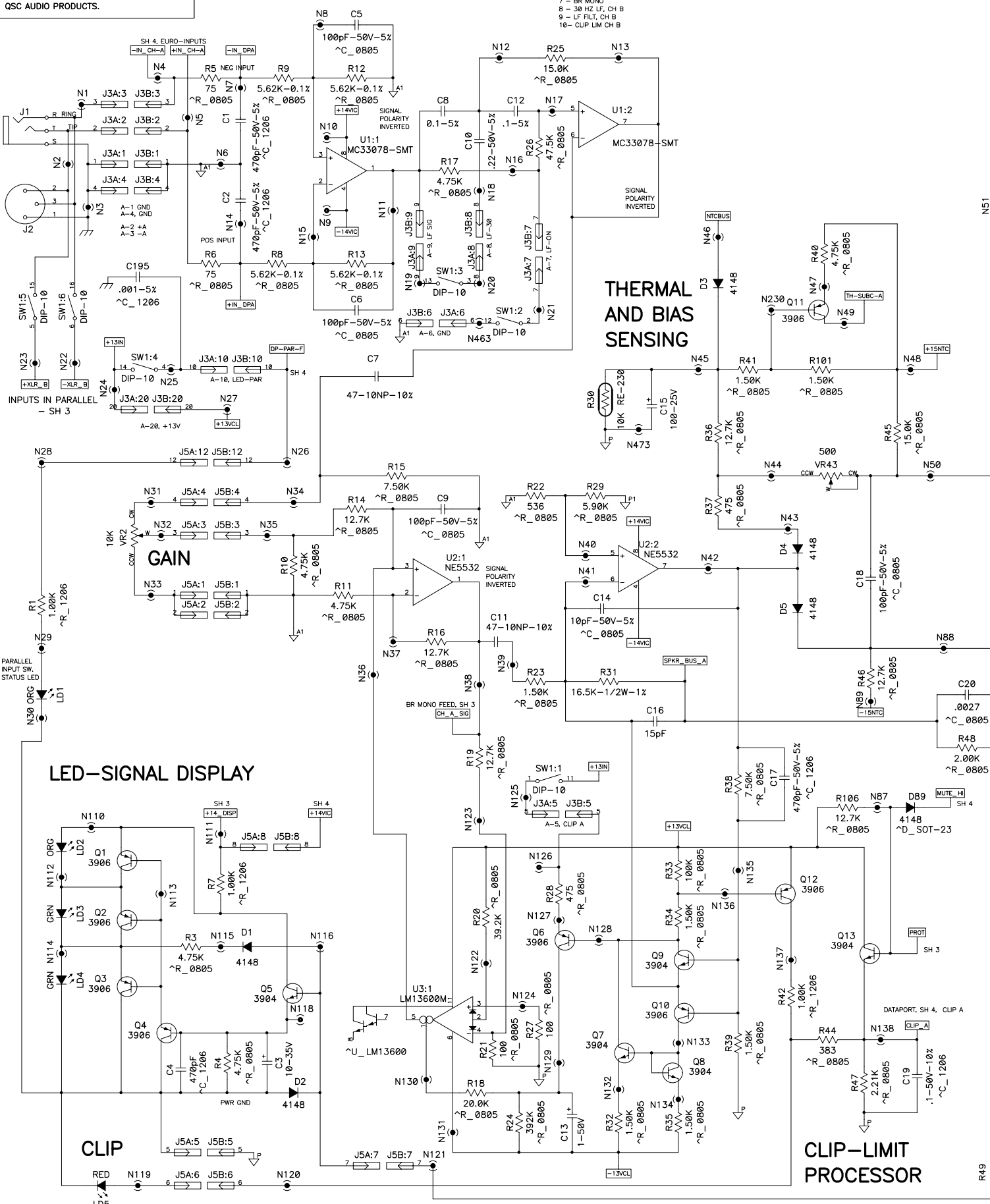
PL218SCH.sch

THIS DOCUMENT CONTAINS PROPRIETARY INFORMATION WHICH IS THE PROPERTY OF QSC AUDIO PRODUCTS, THAT MAY NOT BE DISCLOSED, REPRODUCED OR USED WITHOUT EXPRESS WRITTEN CONSENT FROM QSC AUDIO PRODUCTS.

# INPUT AND FILTER SECTION, CH A

DIP SWITCH TABLE, 10-POS

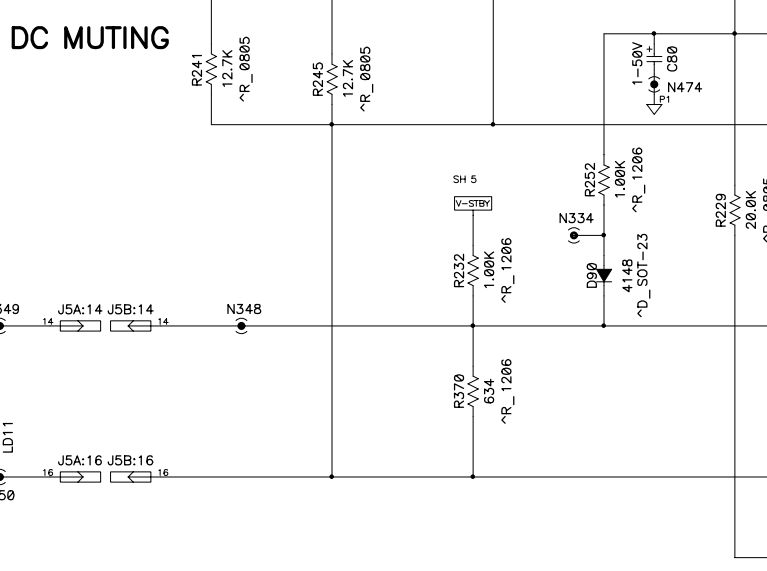
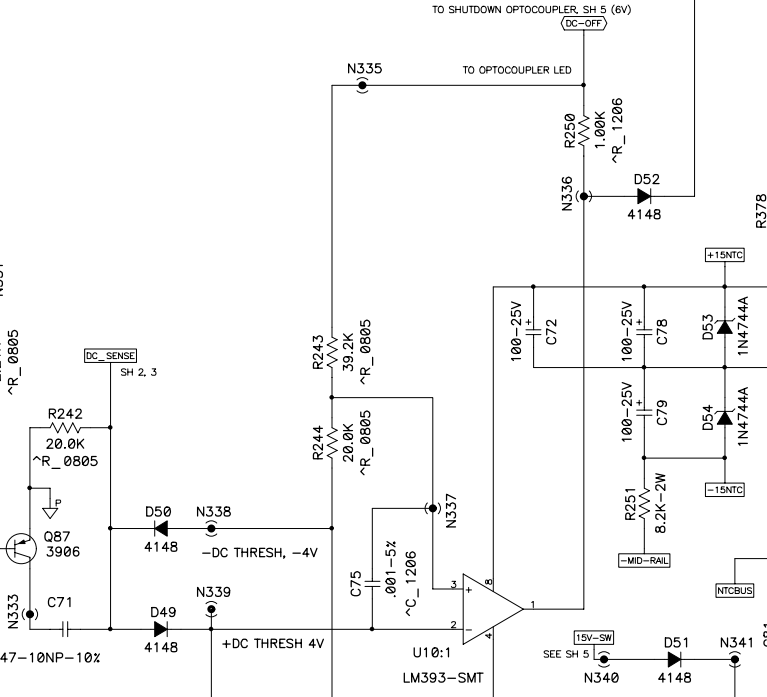
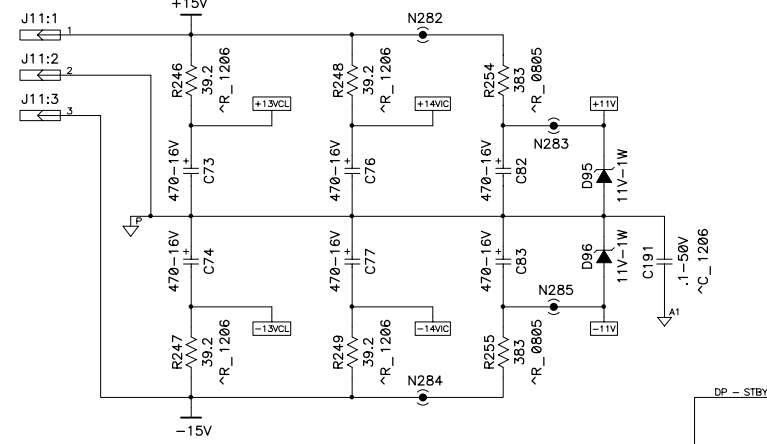
- 1 - CLIP LIM, CH-A
- 2 - LF FILT, CH-A
- 3 - 30 HZ LF, CH-A
- 4 - PAR INPUT LED
- 5 - PAR INPUTS, +
- 6 - PAR INPUTS, -
- 7 - BR MONO
- 8 - 30 HZ LF, CH B
- 9 - LF FILT, CH B
- 10 - CLIP LIM CH B





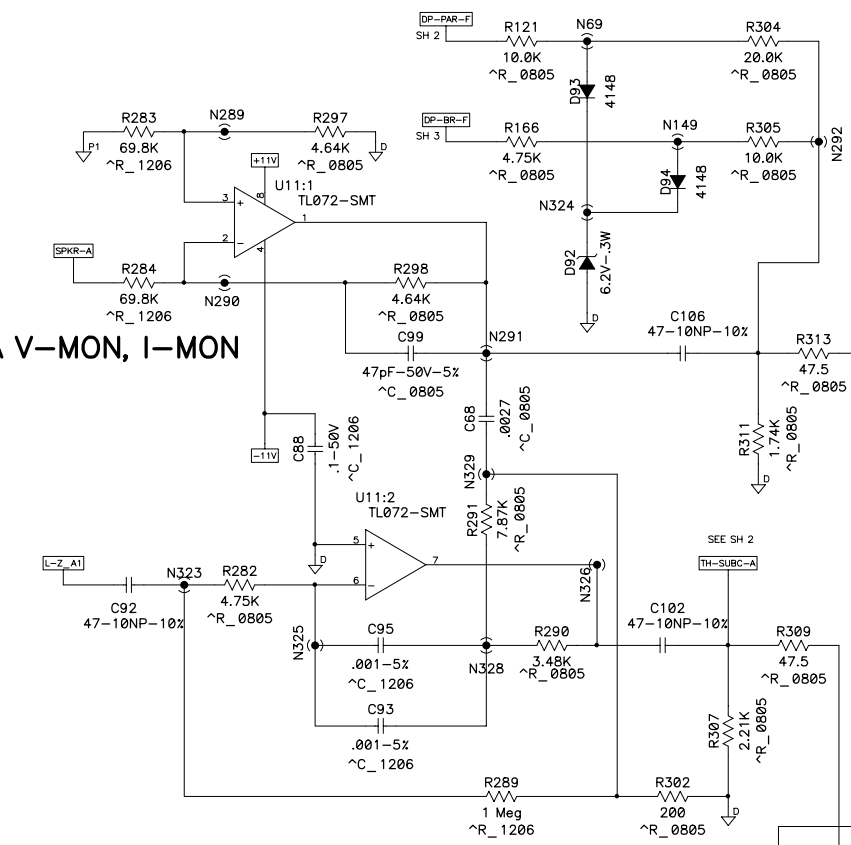
THIS DOCUMENT CONTAINS PROPRIETARY INFORMATION WHICH IS THE PROPERTY OF QSC AUDIO PRODUCTS, THAT MAY NOT BE DISCLOSED, REPRODUCED OR USED WITHOUT EXPRESS WRITTEN CONSENT FROM QSC AUDIO PRODUCTS.

### OPAMP POWER SUPPLIES



### FAN SPEED CONTROL

### CH A V-MON, I-MON



THIS DOCUMENT CONTAINS PROPRIETARY INFORMATION WHICH IS THE PROPERTY OF QSC AUDIO PRODUCTS, THAT MAY NOT BE DISCLOSED, REPRODUCED OR USED WITHOUT EXPRESS WRITTEN CONSENT FROM QSC AUDIO PRODUCTS.

