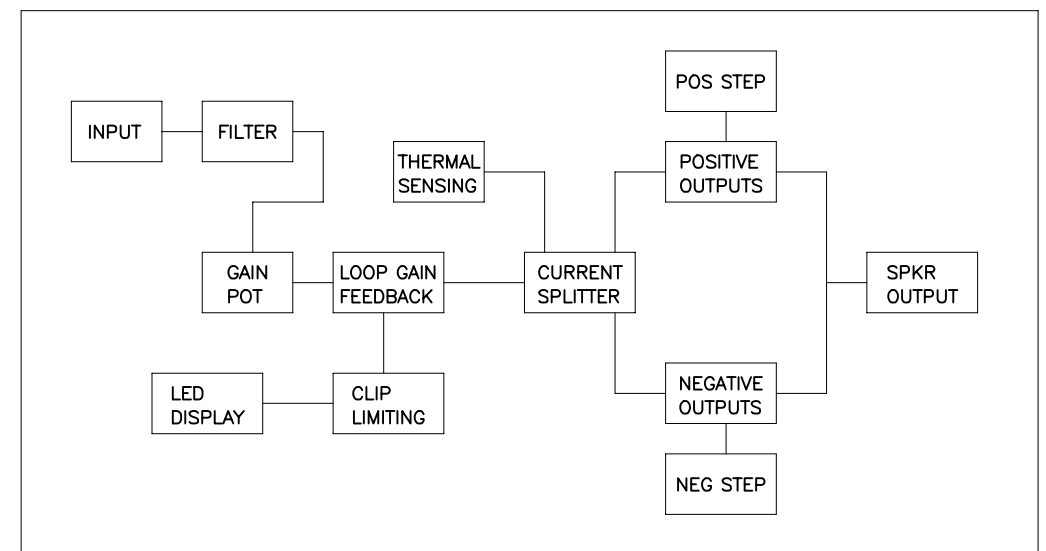
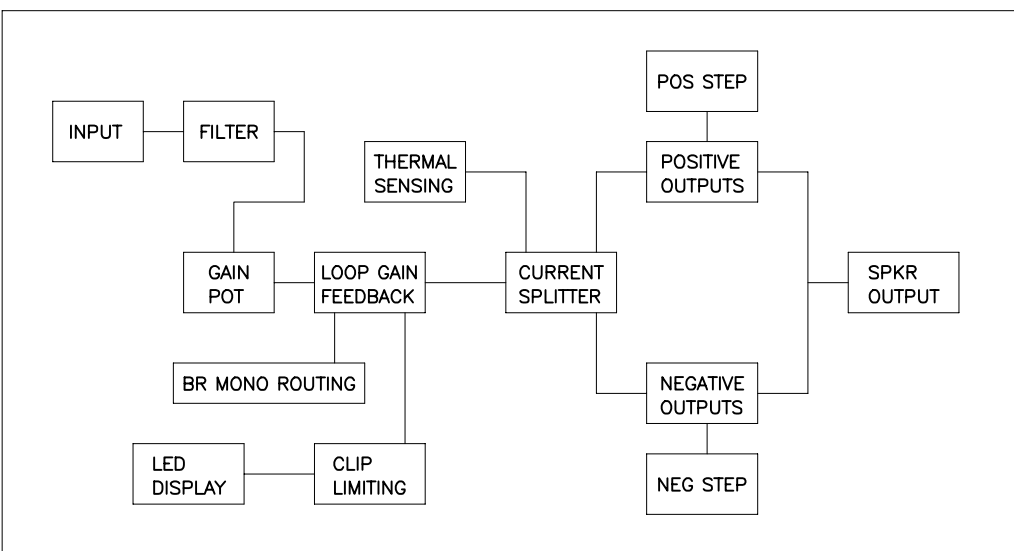


THIS DOCUMENT CONTAINS PROPRIETARY INFORMATION WHICH IS THE PROPERTY OF QSC AUDIO PRODUCTS, THAT MAY NOT BE DISCLOSED, REPRODUCED OR USED WITHOUT EXPRESS WRITTEN CONSENT FROM QSC AUDIO PRODUCTS.

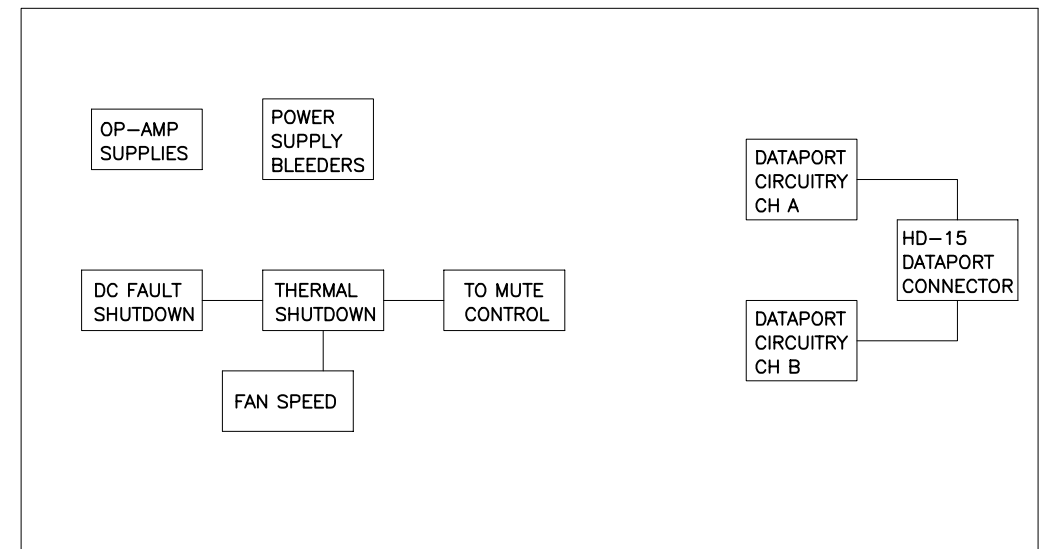
REVISION				
REV	DESCRIPTION	EFF. DATE	CHK	APPROVED / DATE



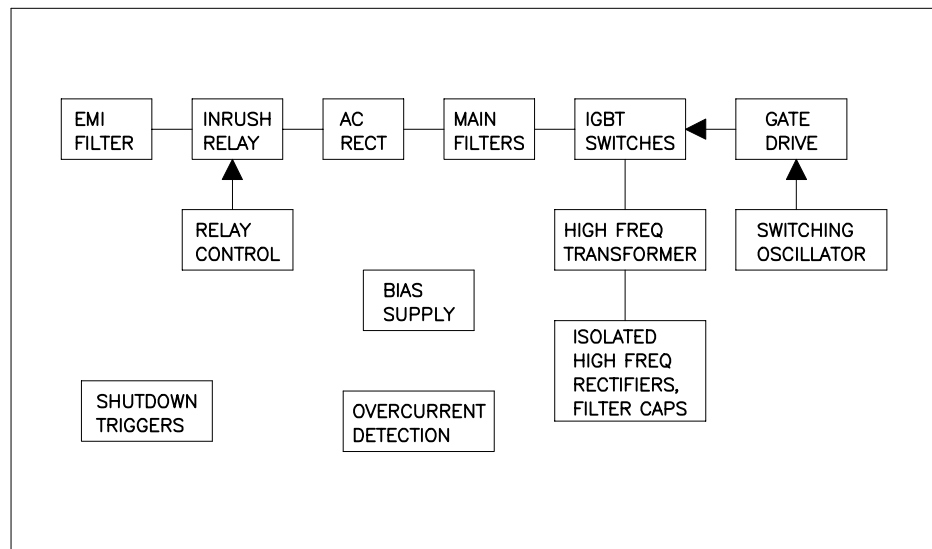
CHANNEL A
AUDIO CIRCUITS
SHEET 2



CHANNEL B
AUDIO CIRCUITS
SHEET 3



SUPPORT,
PROTECTION
AND DATAPORT
CIRCUITS
SHEET 4



SWITCHING
POWER
SUPPLY
SHEET 5

TABULATION BLOCK			
DASH NO.	F1	1	R321, 322, 326, 328 2
-00 (120V)	25A, 125V		487K
-01 (100V)	30A, 125V		392K
-02 (230V)	15A, 250V		487K

QTY	ITEM NO.	PART NO.	DESCRIPTION	VENDOR
UNLESS OTHERWISE SPECIFIED DIMENSIONS ARE IN INCHES. DIMENSIONS PER ANSI Y14.5-1982 TOLERANCES ARE: DECIMALS DECIMALS ANGLES .XX ± .XXX ± ° DEBURR EDGES .XXX R MAX MATERIAL				
CONTRACT NO.		APPROVALS DATE		
DRAWN PAT QUILTER 5-15-98		CHECKED		
ISSUED		SCALE NONE		
CAD SEED FILE NO.		PLOT DATE: Tue, Sep 12, 2000		
APPLICATION		DO NOT SCALE DRAWING		

QSC AUDIO PRODUCTS, INC.
COSTA MESA, CALIFORNIA

SCHEMATIC DIAGRAM
PL236A MAIN BOARD

SIZE **D** FSCM NO. DWG NO. **SH-003608-00** REV

2. COMPONENTS WITH VALUE PREFIXED WITH A "*" REPRESENT SMT COMPONENTS.
1. THIS DRAWING USED IN CONJUNCTION WITH ASSEMBLY WP-003608-XX.
NOTES: UNLESS OTHERWISE SPECIFIED

DWG NO. SH-003608-00 REV 1

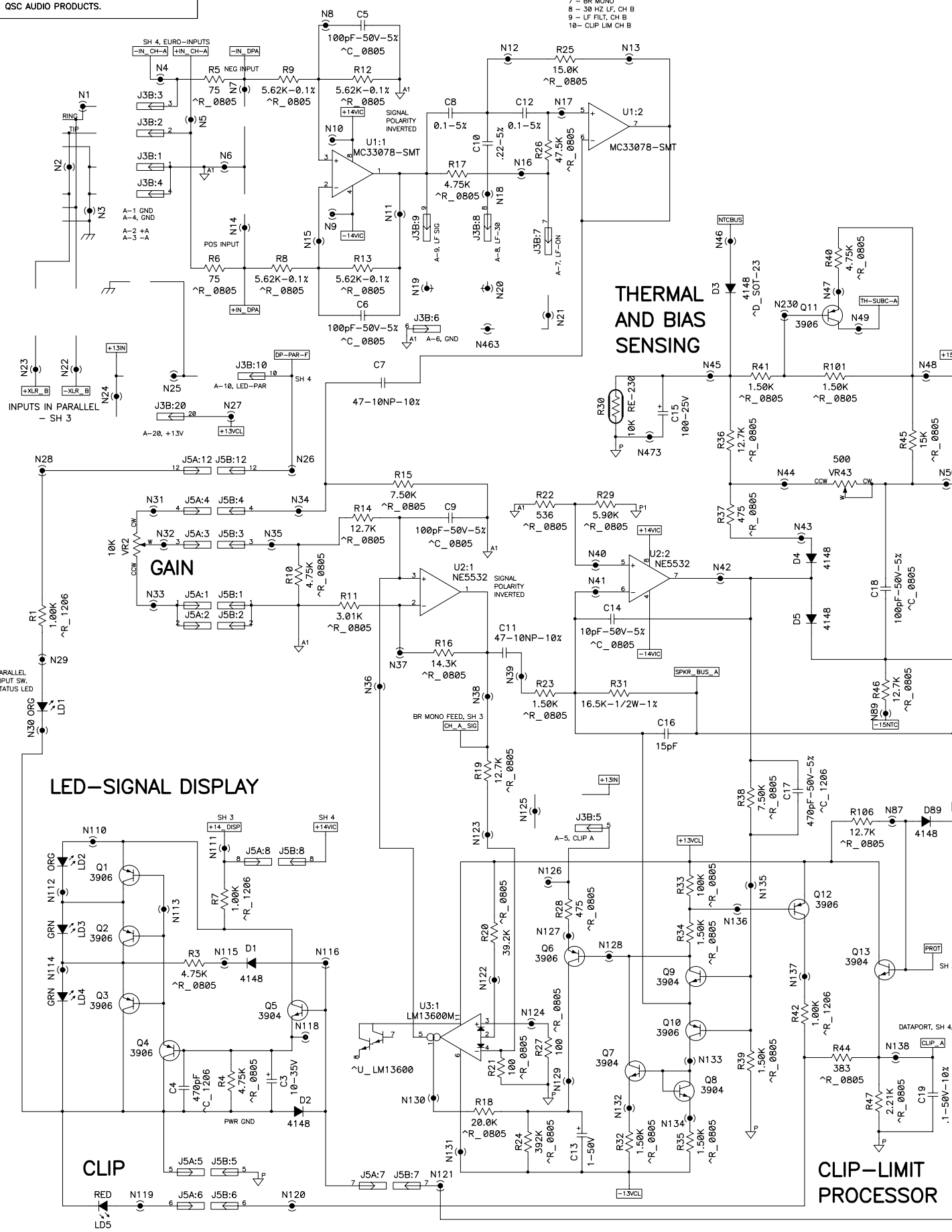
A

THIS DOCUMENT CONTAINS PROPRIETARY INFORMATION WHICH IS THE PROPERTY OF QSC AUDIO PRODUCTS. THAT MAY NOT BE DISCLOSED, REPRODUCED OR USED WITHOUT EXPRESS WRITTEN CONSENT FROM QSC AUDIO PRODUCTS.

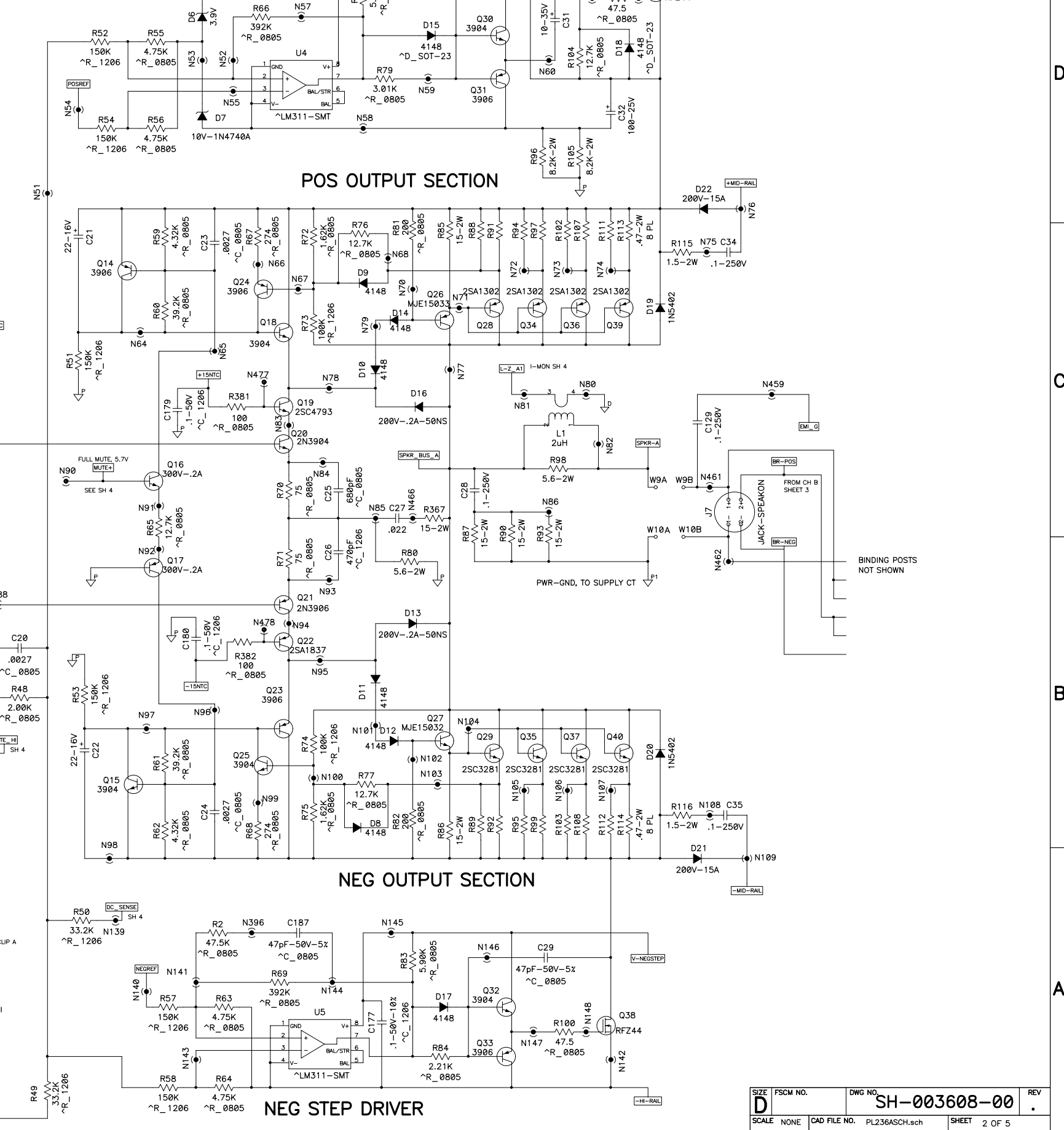
INPUT AND FILTER SECTION, CH A

DIP SWITCH TABLE, 10-POS

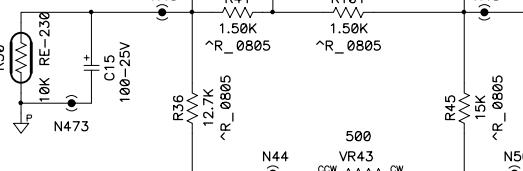
- CLIP LIM, CH-A
- LF FILT, CH-A
- 30 HZ LF, CH-A
- PAR INPUT LED
- PAR INPUTS, +
- PAR INPUTS, -
- BR MONO
- 30 HZ LF, CH B
- LF FILT, CH B
- CLIP LIM CH B



POS STEP DRIVER



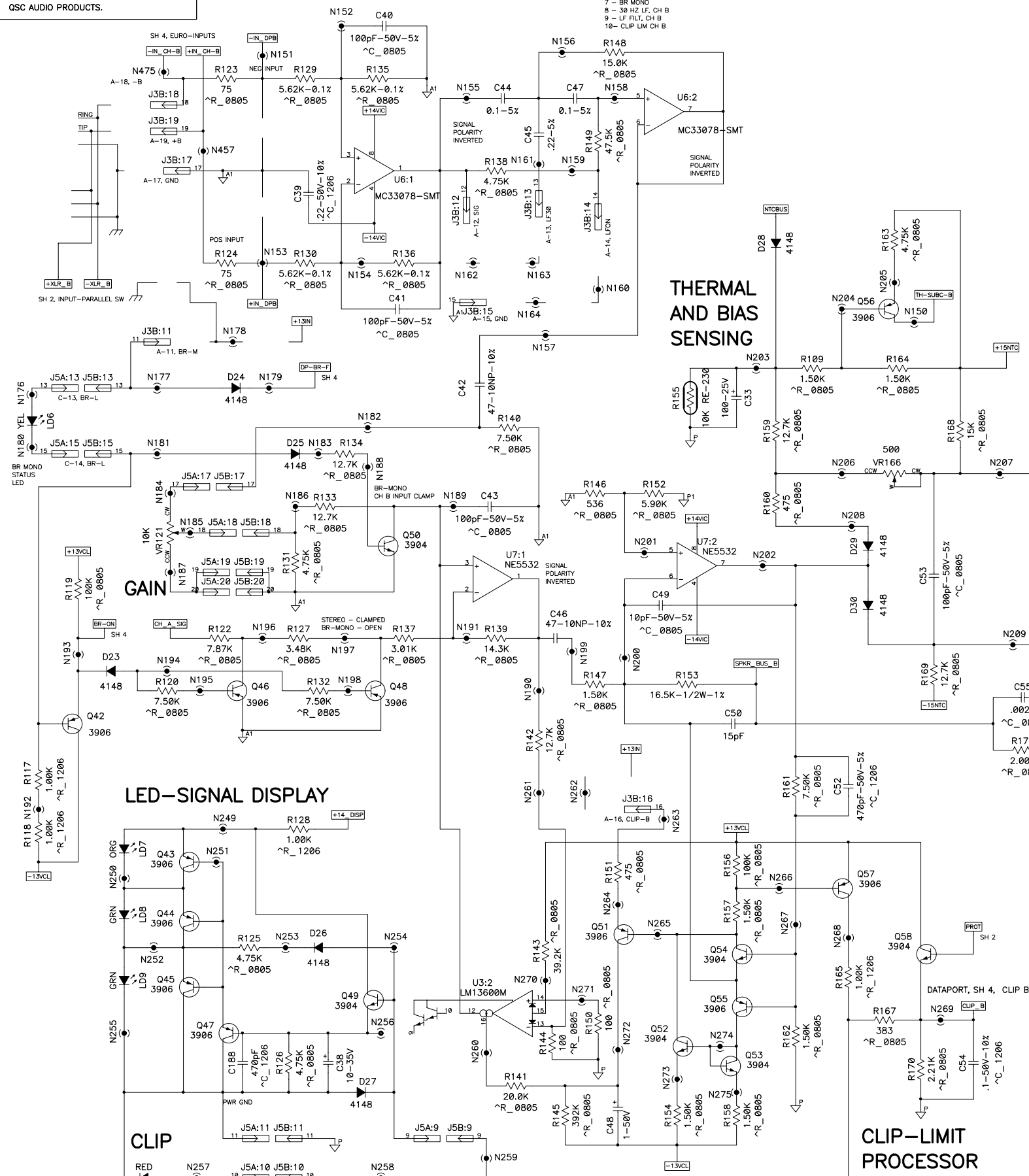
THERMAL AND BIAS SENSING



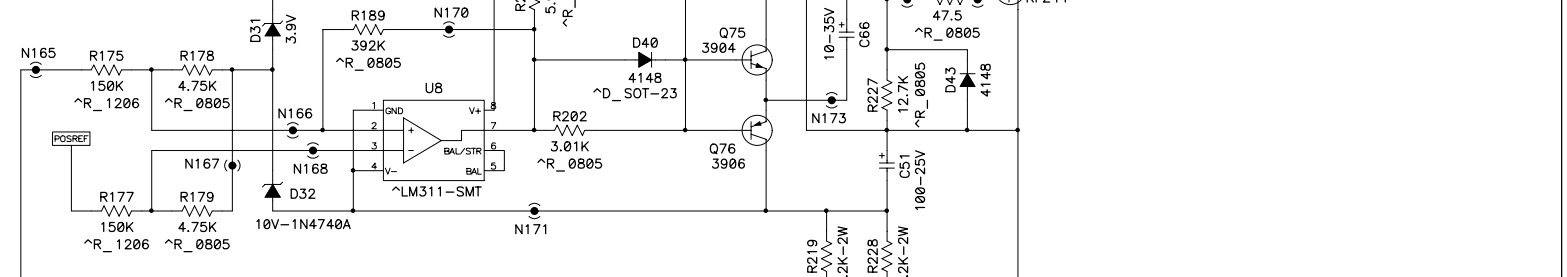
THIS DOCUMENT CONTAINS PROPRIETARY INFORMATION WHICH IS THE PROPERTY OF QSC AUDIO PRODUCTS, THAT MAY NOT BE DISCLOSED, REPRODUCED OR USED WITHOUT EXPRESS WRITTEN CONSENT FROM QSC AUDIO PRODUCTS.

INPUT AND FILTER SECTION, CH B

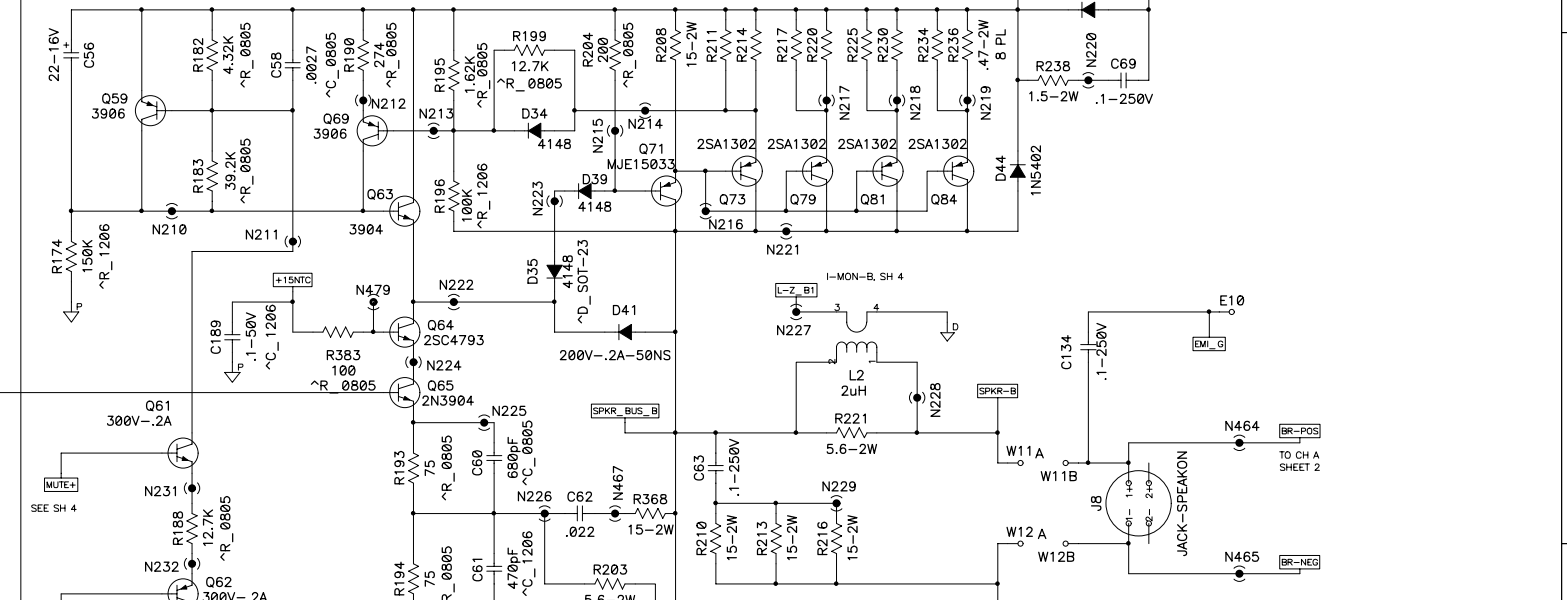
- DIP SWITCH TABLE, 10-POS
 1 - CLIP LIM, CH-A
 2 - LF FILT, CH-A
 3 - 30 HZ LF, CH-A
 4 - PAR INPUT LED
 5 - PAR INPUTS, +
 6 - PAR INPUTS, -
 7 - BR MONO
 8 - 30 HZ LF, CH B
 9 - LF FILT, CH B
 10 - CLIP LIM CH B



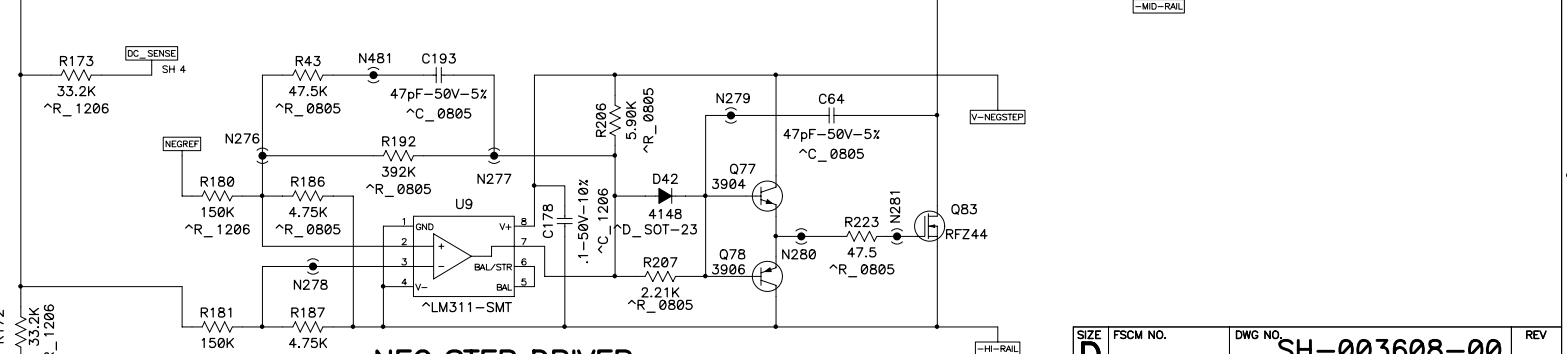
POS STEP DRIVER



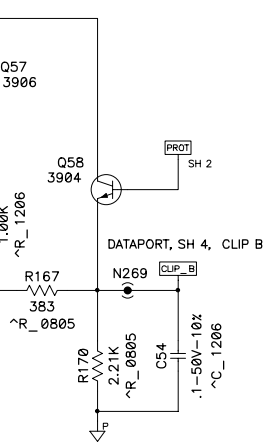
POS OUTPUT SECTION



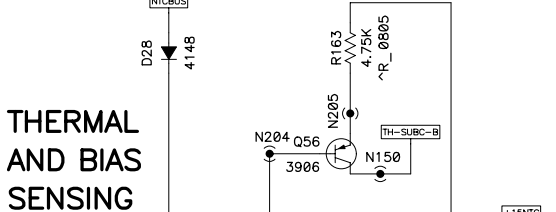
NEG OUTPUT SECTION



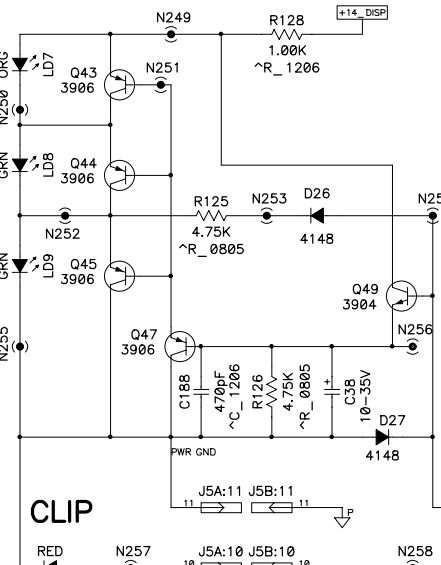
CLIP-LIMIT PROCESSOR



THERMAL AND BIAS SENSING

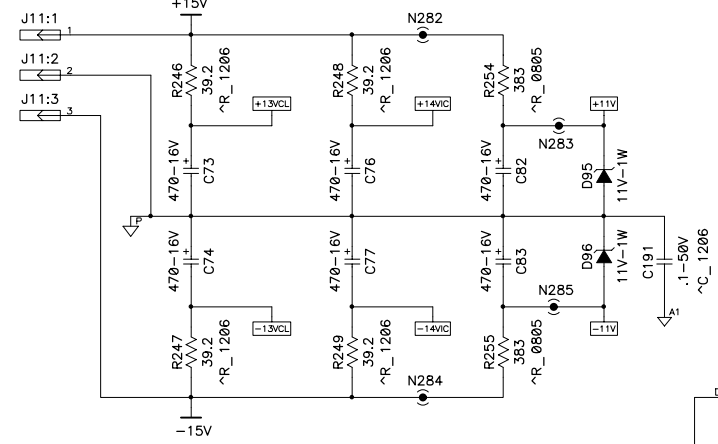


LED-SIGNAL DISPLAY

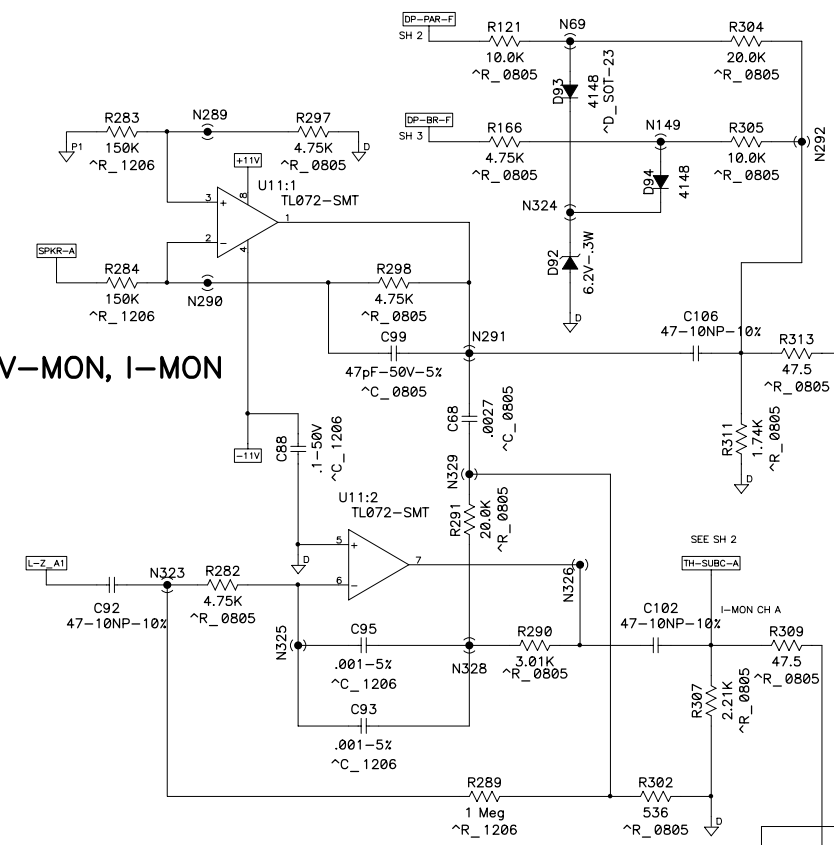


THIS DOCUMENT CONTAINS PROPRIETARY INFORMATION WHICH IS THE PROPERTY OF QSC AUDIO PRODUCTS, THAT MAY NOT BE DISCLOSED, REPRODUCED OR USED WITHOUT EXPRESS WRITTEN CONSENT FROM QSC AUDIO PRODUCTS.

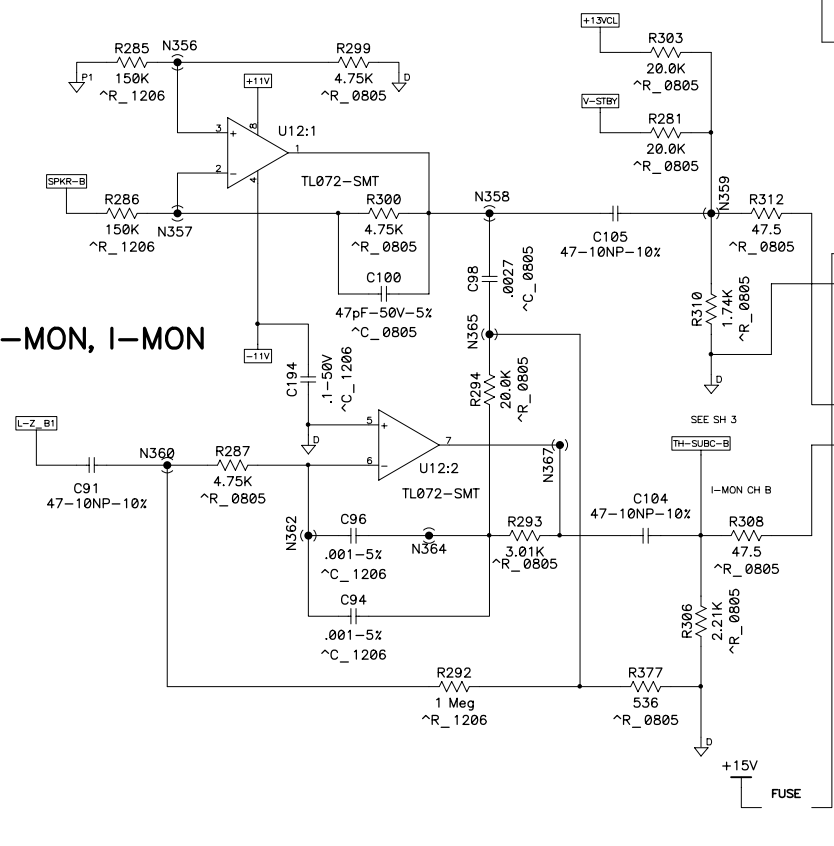
OPAMP POWER SUPPLIES



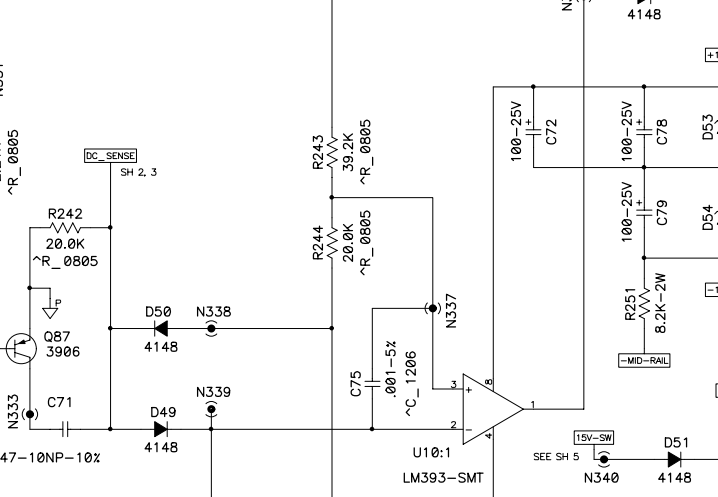
CH A V-MON, I-MON



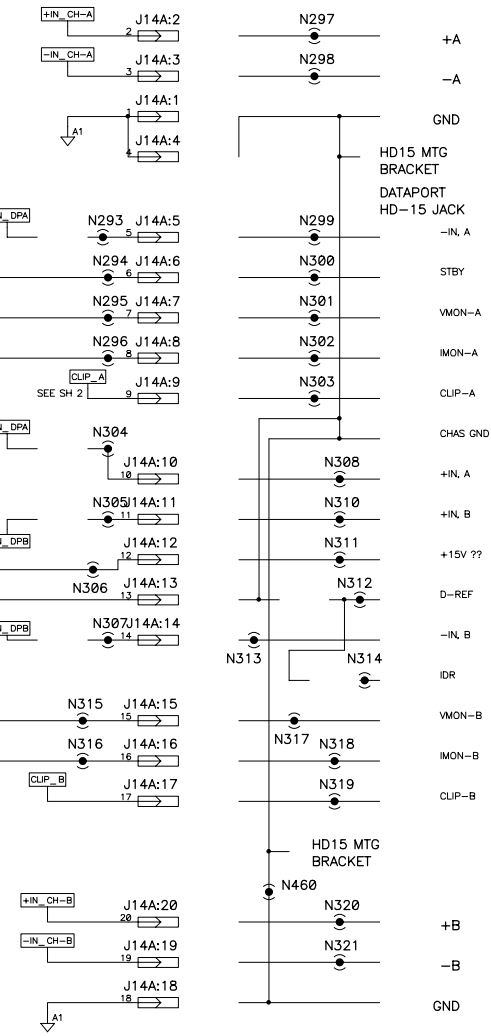
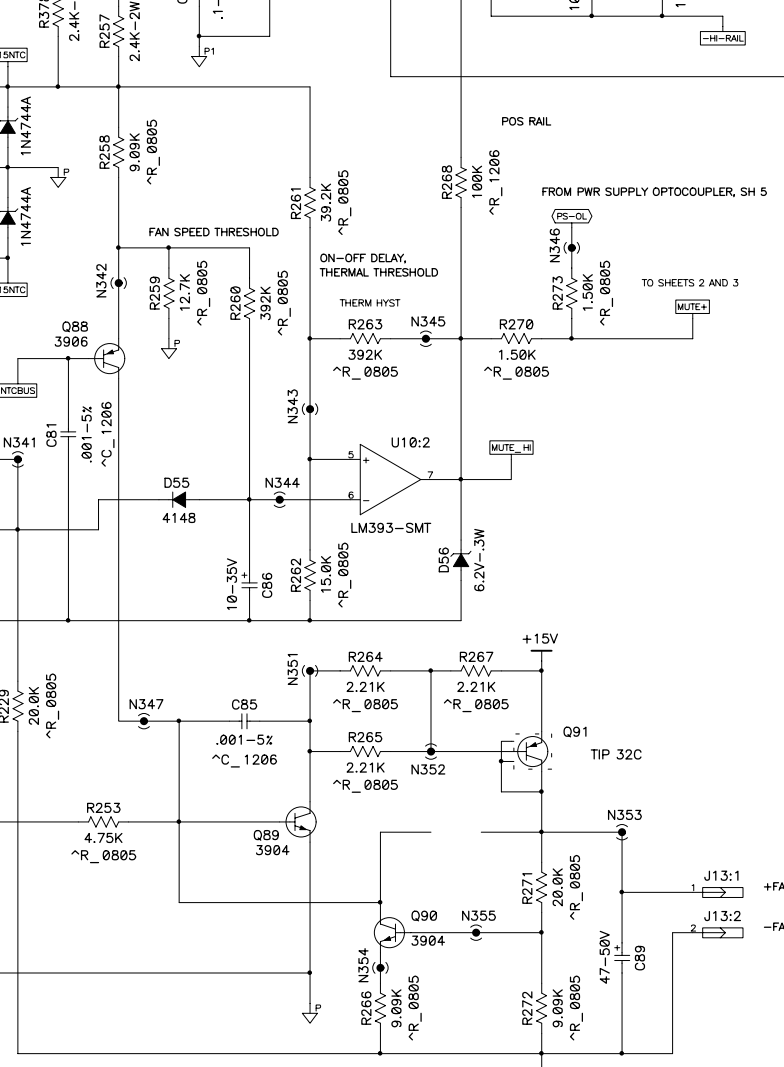
CH B V-MON, I-MON



DC MUTING



FAN SPEED CONTROL



THIS DOCUMENT CONTAINS PROPRIETARY INFORMATION WHICH IS THE PROPERTY OF QSC AUDIO PRODUCTS. THAT MAY NOT BE DISCLOSED, REPRODUCED OR USED WITHOUT EXPRESS WRITTEN CONSENT FROM QSC AUDIO PRODUCTS.

