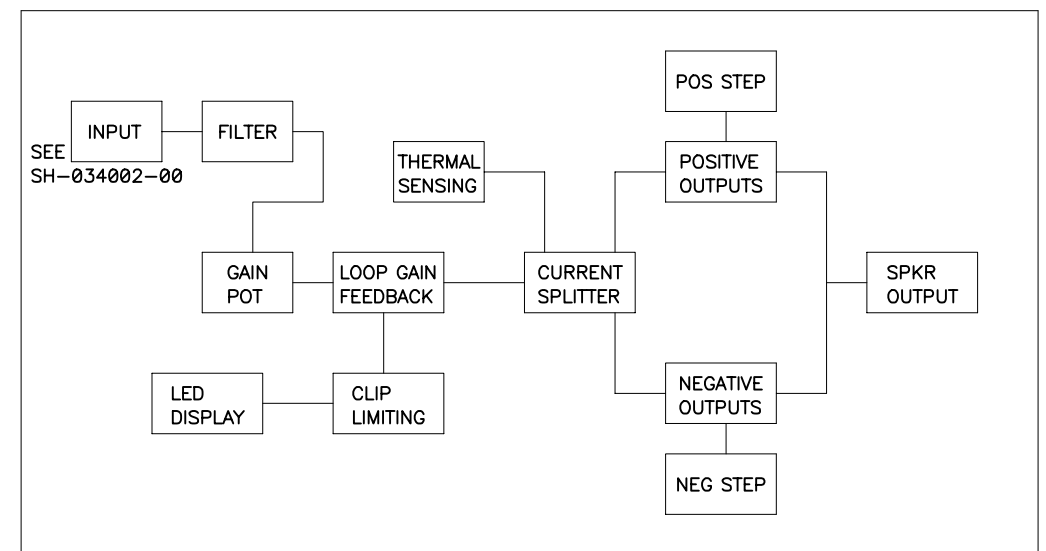
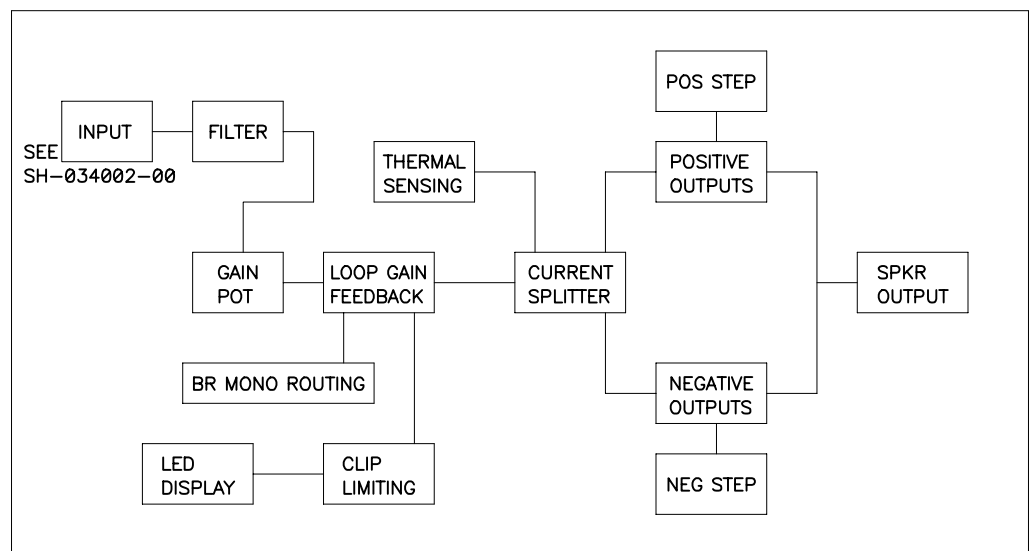


THIS DOCUMENT CONTAINS PROPRIETARY INFORMATION WHICH IS THE PROPERTY OF QSC AUDIO PRODUCTS, THAT MAY NOT BE DISCLOSED, REPRODUCED OR USED WITHOUT EXPRESS WRITTEN CONSENT FROM QSC AUDIO PRODUCTS.

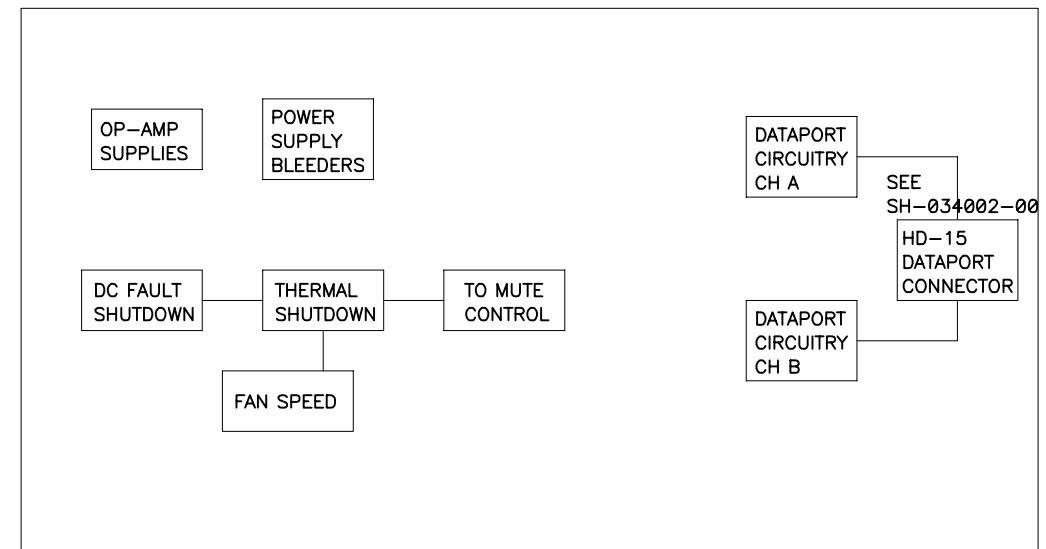
REVISION				
REV	DESCRIPTION	EFF. DATE	CHK	APPROVED / DATE
A	PRODUCTION RELEASE PER ECO 7793 10	02-23-07	RAB	DD



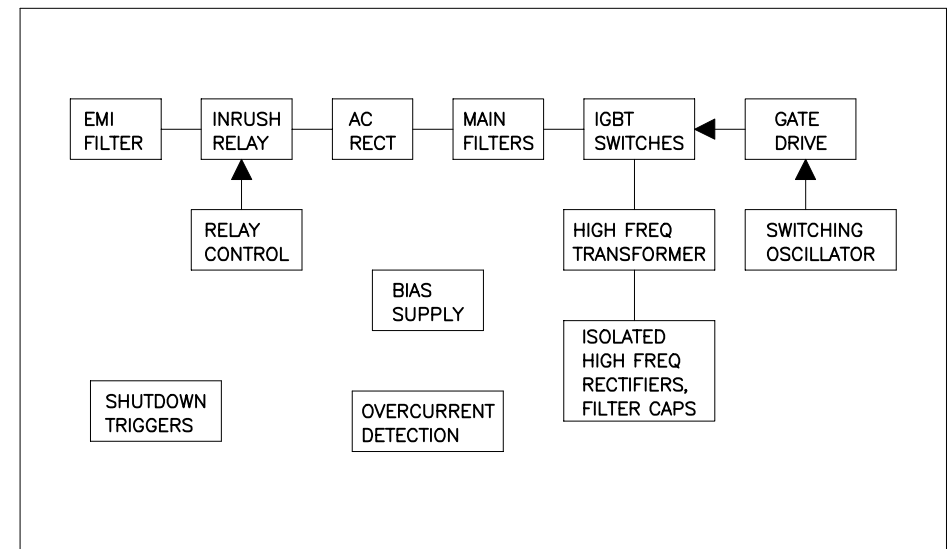
CHANNEL A  
AUDIO CIRCUITS  
SHEET 2



CHANNEL B  
AUDIO CIRCUITS  
SHEET 3



SUPPORT,  
PROTECTION  
AND DATAPORT  
CIRCUITS  
SHEET 4



SWITCHING  
POWER  
SUPPLY  
SHEET 5

TABULATION BLOCK			
DASH NO.	F1	1	R321, 322, 326, 328 2
-00 (120V)	25A, 125V		487K
-01 (100V)	30A, 125V		392K
-02 (230V)	15A, 250V		487K

- 8. ZENER TOLERANCE IS 5%
  - 7. SMT CAPACITOR VOLTAGE IS 50V
  - 6. SMT RESISTOR WATTAGE IS 1/10W
  - 5. RESISTOR WATTAGE RATING IS 1/4W  
FOR RESISTOR WATTAGE RATINGS GREATER THAN 1W, TOLERANCE IS 5%  
FOR RESISTOR WATTAGE RATINGS LESS THAN 1/2W, TOLERANCE IS 1%
  - 4. THROUGH-HOLE FILM AND CERAMIC CAPACITOR TOLERANCE IS 10%, VOLTAGE IS 100V
  - 3. ELECTROLYTIC CAPACITOR TOLERANCE IS 20%
  - 2. COMPONENTS WITH VALUE PREFIXED WITH A "\*" REPRESENT SMT COMPONENTS.
  - 1. THIS DRAWING USED IN CONJUNCTION WITH ASSEMBLY WP-034001-XX, SH-034002-00 AND WP-034002-00.
- NOTES: UNLESS OTHERWISE SPECIFIED

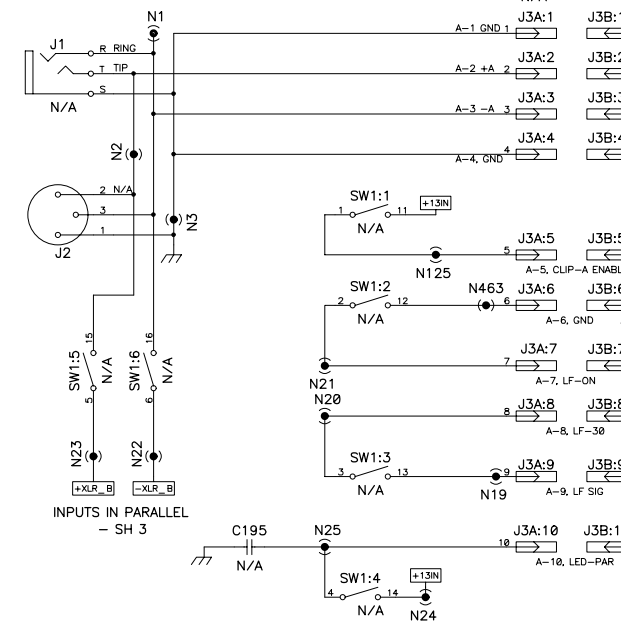
QTY	ITEM NO.	PART NO.	DESCRIPTION	VENDOR
UNLESS OTHERWISE SPECIFIED DIMENSIONS ARE IN INCHES. DIMENSIONS PER ANSI Y14.5-1982 TOLERANCES ARE: DECIMALS DECIMALS ANGLES .XX ± .XXX ± ° DEBURR EDGES .XXX R MAX MATERIAL FINISH				
NEXT ASSY		USED ON	APPLICATION	
			DO NOT SCALE DRAWING	

CONTRACT NO.		APPROVALS		DATE
		DRAWN		10-2-06
		CHECKED		02-23-07
		ISSUED		02-23-07
		PLOT DATE:		Thu Jul 12, 2007

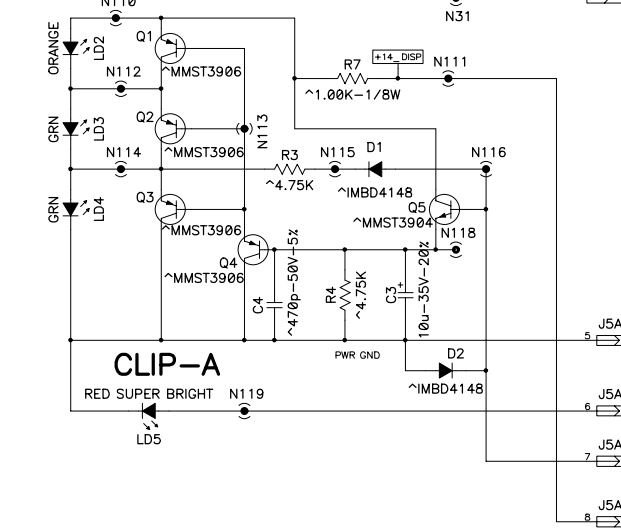
QSC AUDIO PRODUCTS, INC. COSTA MESA, CALIFORNIA	
SCHEMATIC DIAGRAM PL340	
SIZE D	FSCM NO.
DWG NO. SH-034001-00	REV A
SCALE NONE	CAD FILE NO. SH-034001-A.sch
SHEET 1 OF 5	

THIS DOCUMENT CONTAINS PROPRIETARY INFORMATION WHICH IS THE PROPERTY OF QSC AUDIO PRODUCTS, THAT MAY NOT BE DISCLOSED, REPRODUCED OR USED WITHOUT EXPRESS WRITTEN CONSENT FROM QSC AUDIO PRODUCTS.

DO NOT STUFF INPUT PARTS PINS 1-10



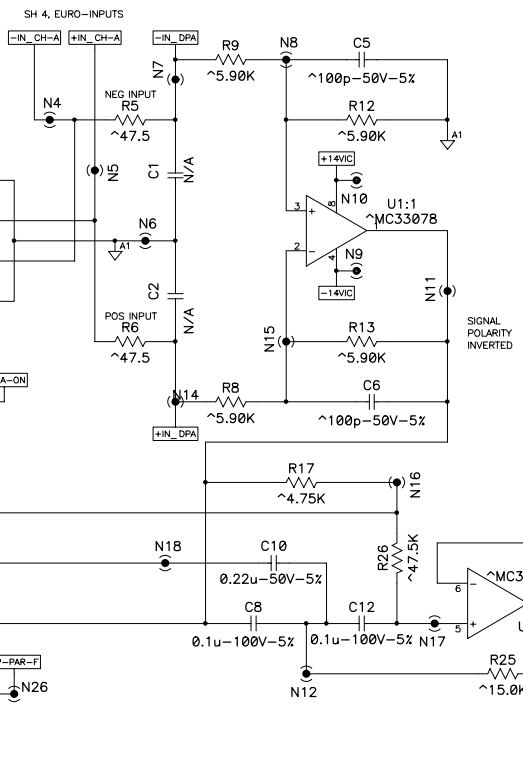
LED-SIGNAL DISPLAY-A



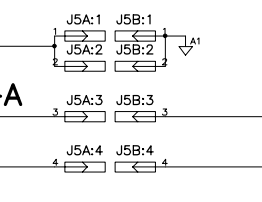
CLIP-LIMIT PROCESSOR



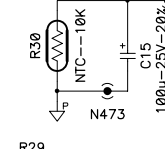
INPUT AND FILTER SECTION, CH A



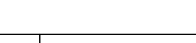
DISPLAY RIBBON PINS 1-10



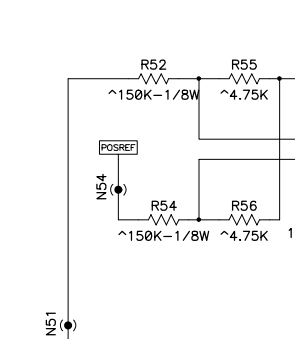
THERMAL AND BIAS SENSING



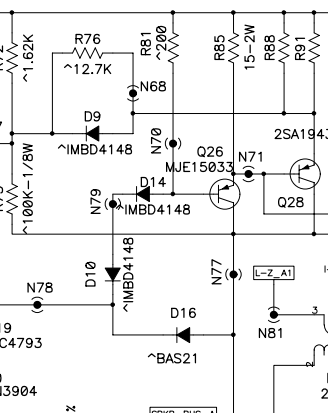
CLIP-LIMIT PROCESSOR



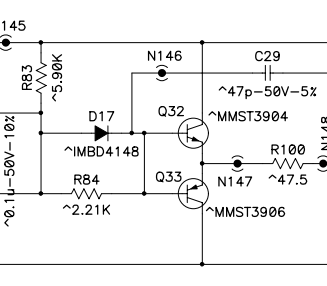
POS STEP DRIVER



POS OUTPUT SECTION



NEG OUTPUT SECTION

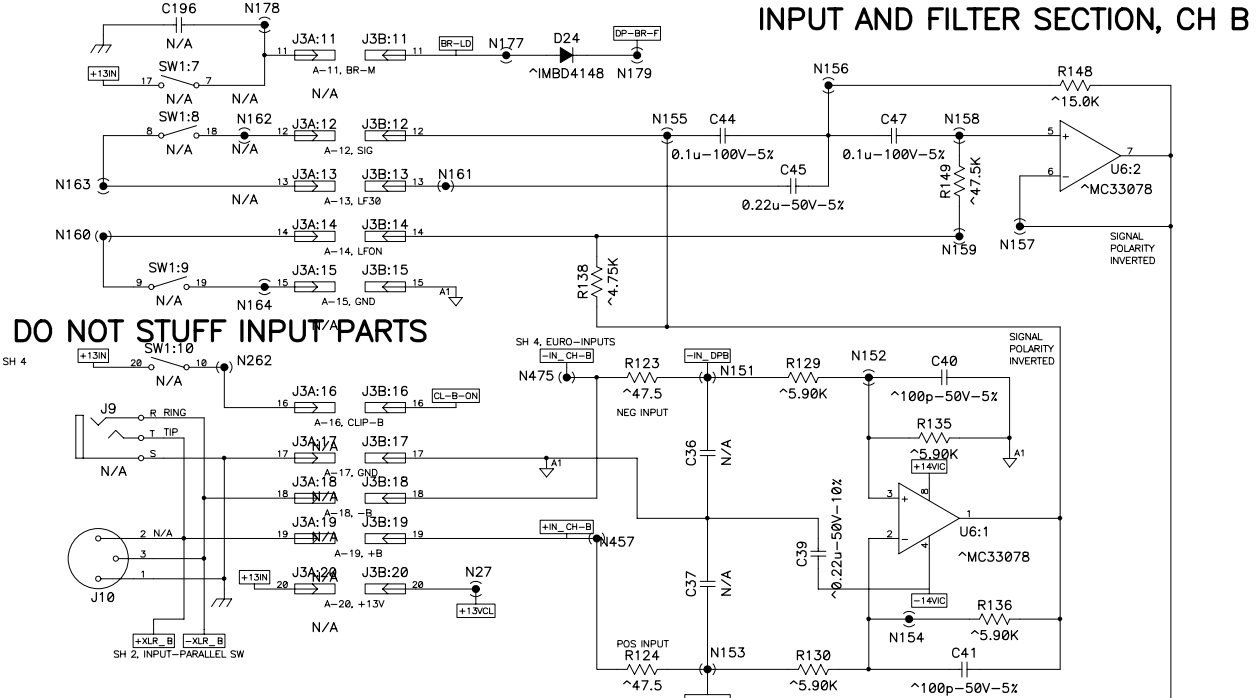


NEG STEP DRIVER

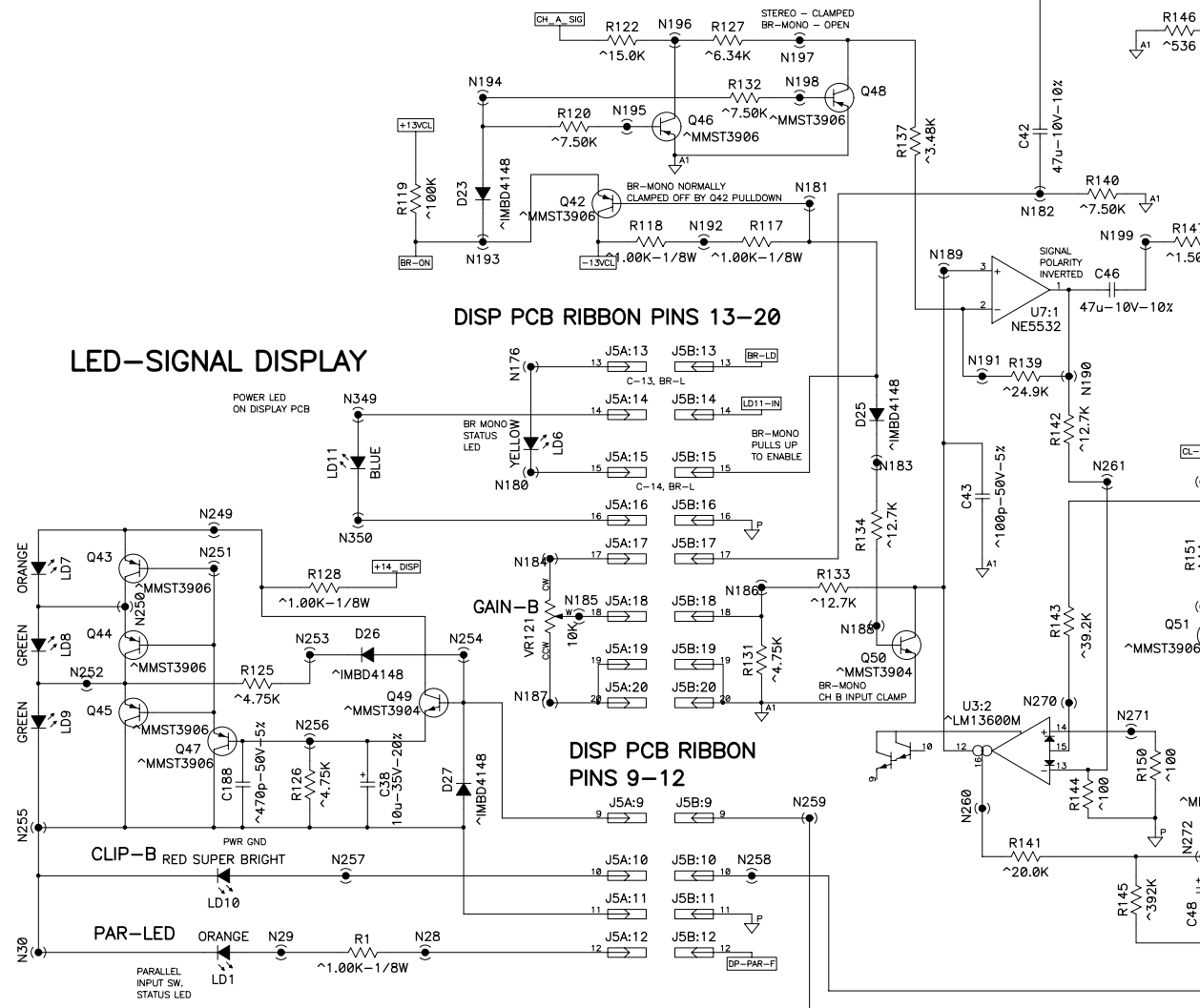
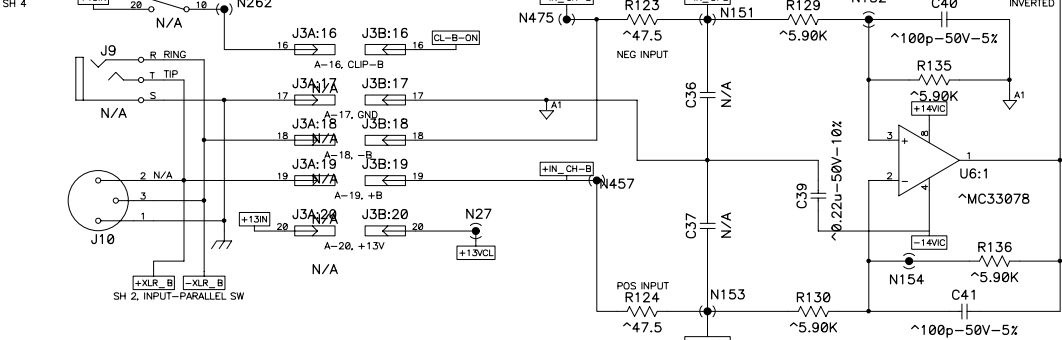


THIS DOCUMENT CONTAINS PROPRIETARY INFORMATION WHICH IS THE PROPERTY OF QSC AUDIO PRODUCTS, THAT MAY NOT BE DISCLOSED, REPRODUCED OR USED WITHOUT EXPRESS WRITTEN CONSENT FROM QSC AUDIO PRODUCTS.

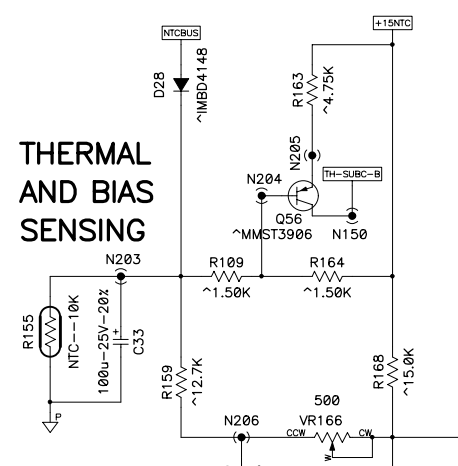
### INPUT RIBBON PINS 11-20



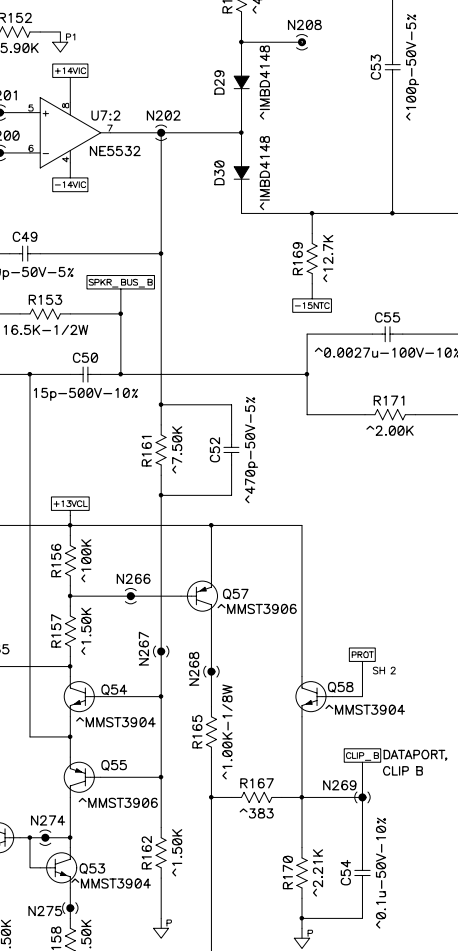
DO NOT STUFF INPUT PARTS



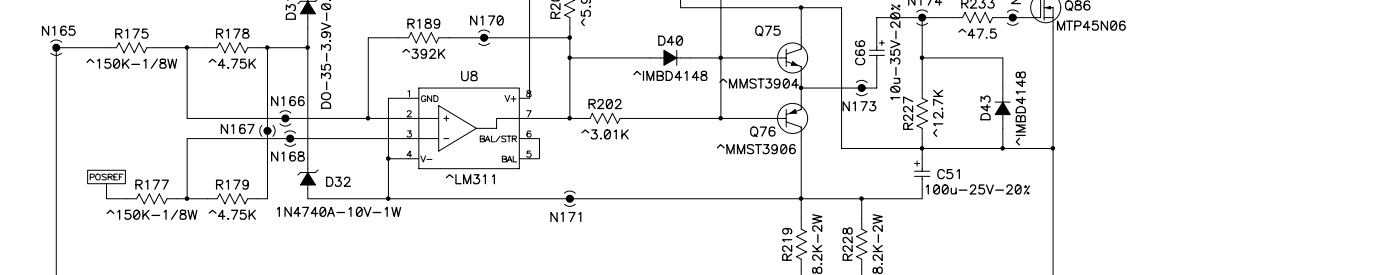
### THERMAL AND BIAS SENSING



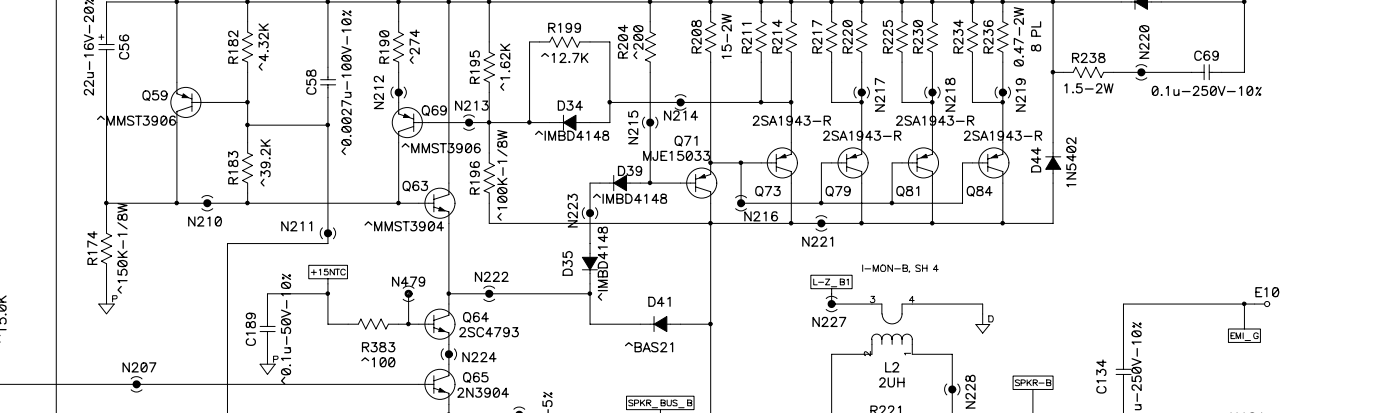
### CLIP-LIMIT PROCESSOR



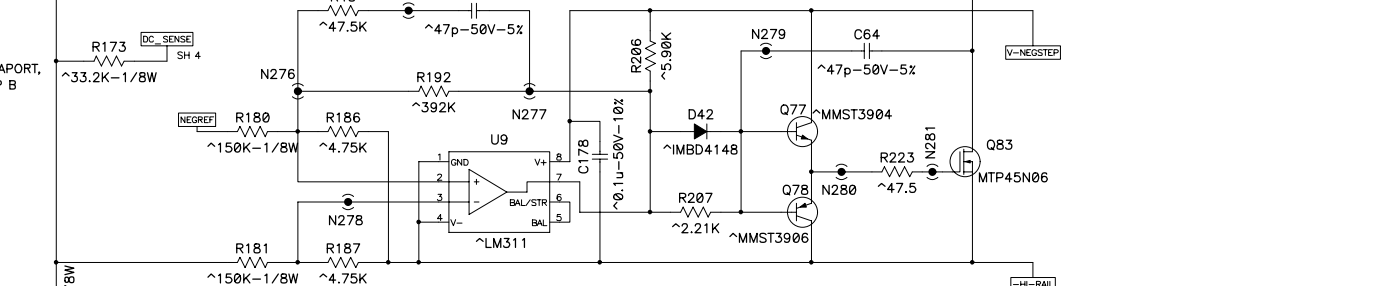
### POS STEP DRIVER



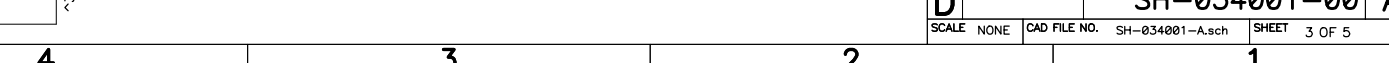
### POS OUTPUT SECTION



### NEG OUTPUT SECTION



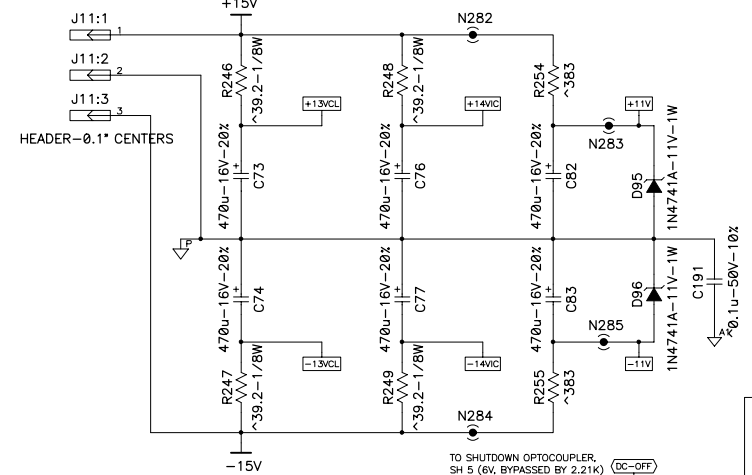
### NEG STEP DRIVER



SIZE	FSCM NO.	DWG NO.	REV
D		SH-034001-00	A
SCALE	NONE	CAD FILE NO.	SHEET 3 OF 5
		SH-034001-A.sch	

THIS DOCUMENT CONTAINS PROPRIETARY INFORMATION WHICH IS THE PROPERTY OF QSC AUDIO PRODUCTS, THAT MAY NOT BE DISCLOSED, REPRODUCED OR USED WITHOUT EXPRESS WRITTEN CONSENT FROM QSC AUDIO PRODUCTS.

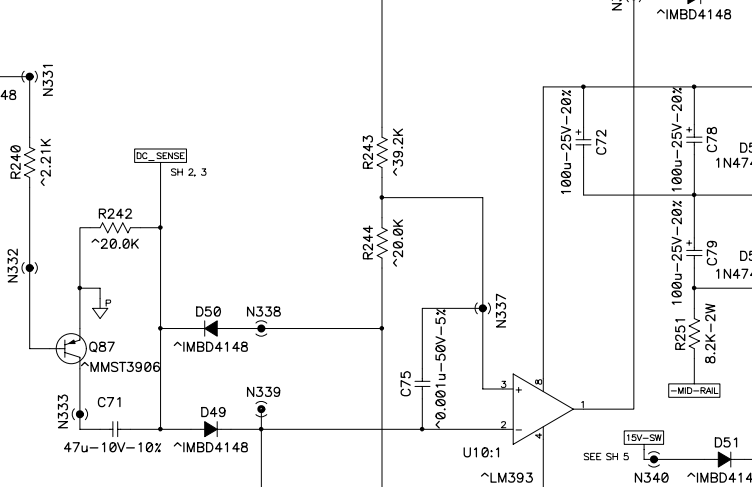
### OPAMP POWER SUPPLIES



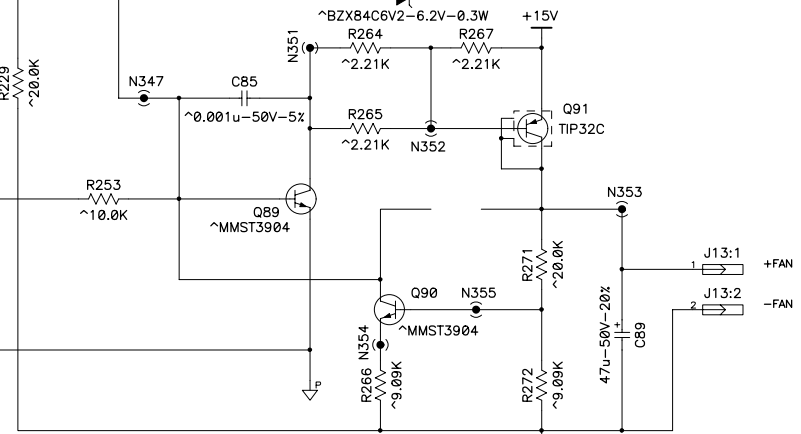
TO SHUTDOWN OPTOCOUPLER, SH 5 (EV, BYPASSED BY 2.21K) 0.5MA AT THRESHOLD 1.5MA FOR SHUTDOWN = 2.5V TO OPTOCOUPLER LED

POWER LED WAS GREEN, 2.1V IS BLUE, 3.5V ON DISPLAY PCB

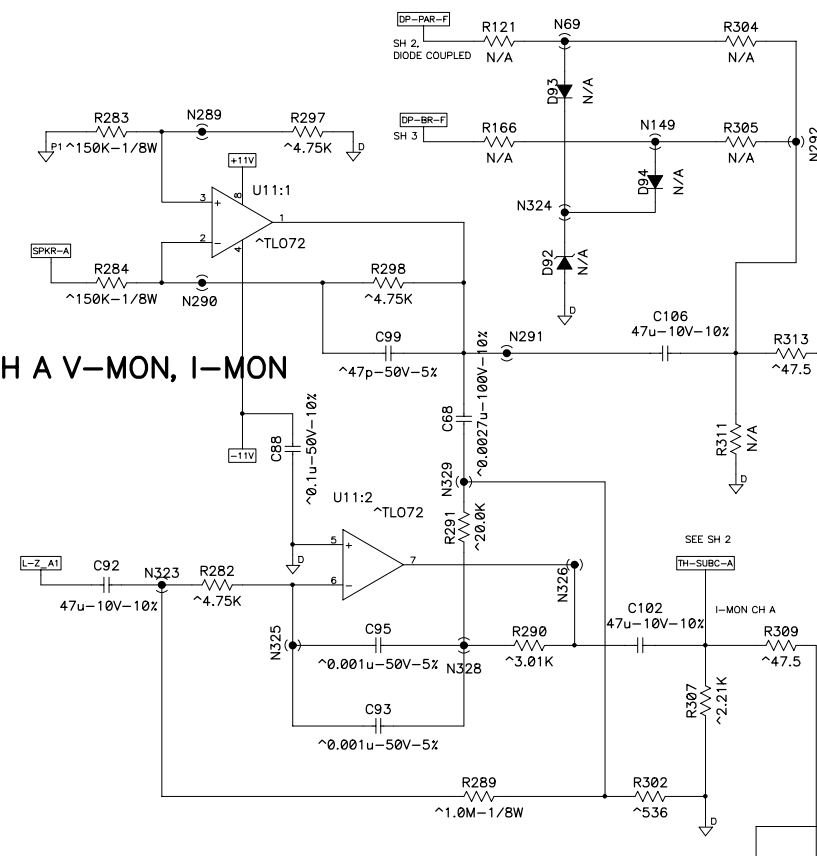
### DC MUTING



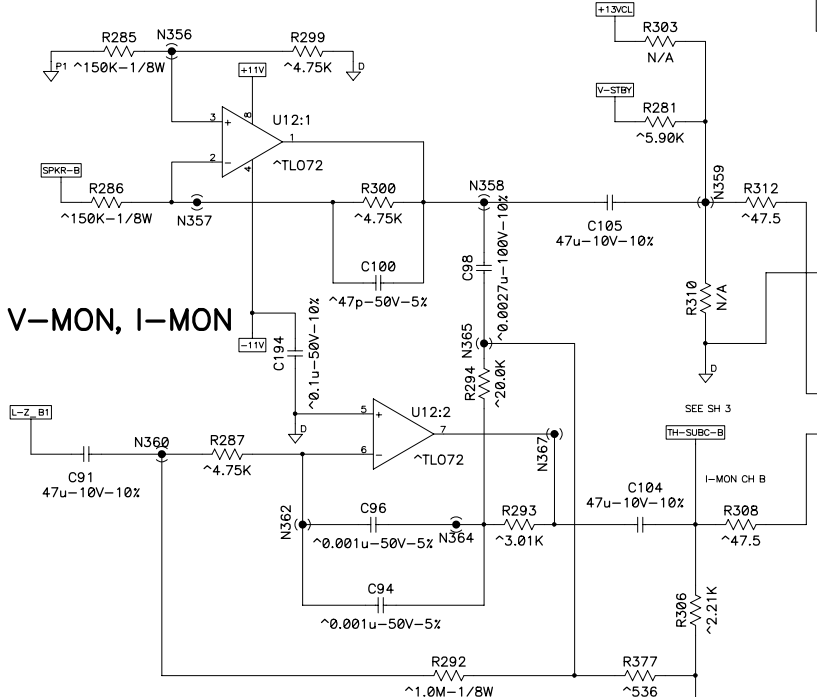
### FAN SPEED CONTROL



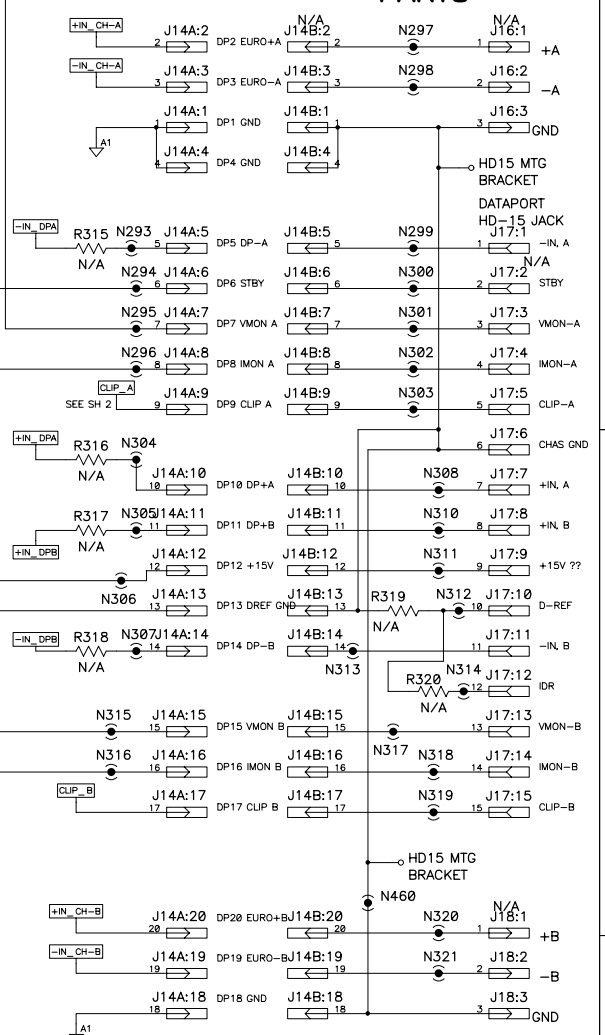
### CH A V-MON, I-MON



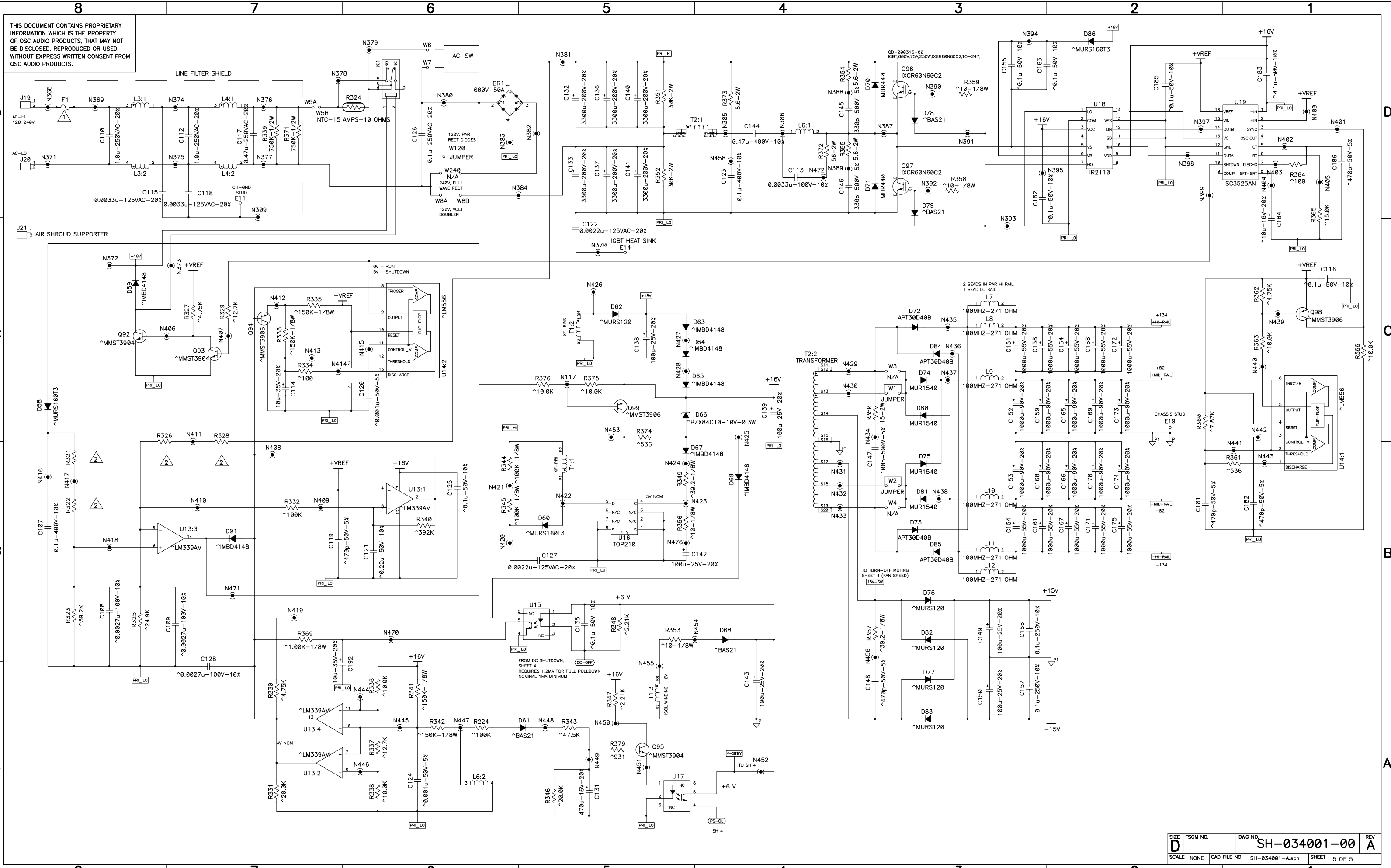
### CH B V-MON, I-MON



REFERENCE DATAPORT RIBBON CABLE DO NOT STUFF D/P PCB PARTS



THIS DOCUMENT CONTAINS PROPRIETARY INFORMATION WHICH IS THE PROPERTY OF QSC AUDIO PRODUCTS, THAT MAY NOT BE DISCLOSED, REPRODUCED OR USED WITHOUT EXPRESS WRITTEN CONSENT FROM QSC AUDIO PRODUCTS.



THIS DOCUMENT CONTAINS PROPRIETARY INFORMATION WHICH IS THE PROPERTY OF QSC AUDIO PRODUCTS, THAT MAY NOT BE DISCLOSED, REPRODUCED OR USED WITHOUT EXPRESS WRITTEN CONSENT FROM QSC AUDIO PRODUCTS.

REVISION				
REV	DESCRIPTION	EFF. DATE	CHK	APPROVED / DATE
A	PRODUCTION RELEASE PER ECO 7793 IO	02-23-07	RAB	DD

- 6. SMT CAPACITOR VOLTAGE IS 50V
  - 5. SMT RESISTOR WATTAGE RATING IS 1/10W
  - 4. SMT RESISTOR TOLERANCE IS 1%
  - 3. ELECTROLYTIC CAPACITOR TOLERANCE IS 20%
  - 2. COMPONENTS WITH VALUE PREFIXED WITH A "\*" REPRESENT SMT COMPONENTS.
  - 1. THIS DRAWING USED IN CONJUNCTION WITH ASSEMBLY WP-034002-00.
- NOTES: UNLESS OTHERWISE SPECIFIED

QTY	ITEM NO.	PART NO.	DESCRIPTION	VENDOR
<b>PARTS LIST</b>				
UNLESS OTHERWISE SPECIFIED DIMENSIONS ARE IN INCHES. DIMENSIONS PER ANSI Y14.5-1982 TOLERANCES ARE: DECIMALS    DECIMALS    ANGLES .xx ±        .xxx ±        0 DEBURR EDGES .xxx R MAX MATERIAL			CONTRACT NO.	
FINISH			APPROVALS	DATE
NEXT ASSY    USED ON			DRAWN PAT QUILTER	10-2-06
APPLICATION			CHECKED R. BALTHAZAR	02-23-07
DO NOT SCALE DRAWING			ISSUED D. DELARM	02-23-07
			CAD SEED FILE NO.	PLOT DATE: Thu Jul 12, 2007

**QSC** AUDIO PRODUCTS, INC.  
COSTA MESA, CALIFORNIA

**SCHEMATIC DIAGRAM**  
**PL340 INPUT SCHEMATIC**

SIZE **D** FSCM NO.    DWG NO. **SH-034002-00** REV **A**

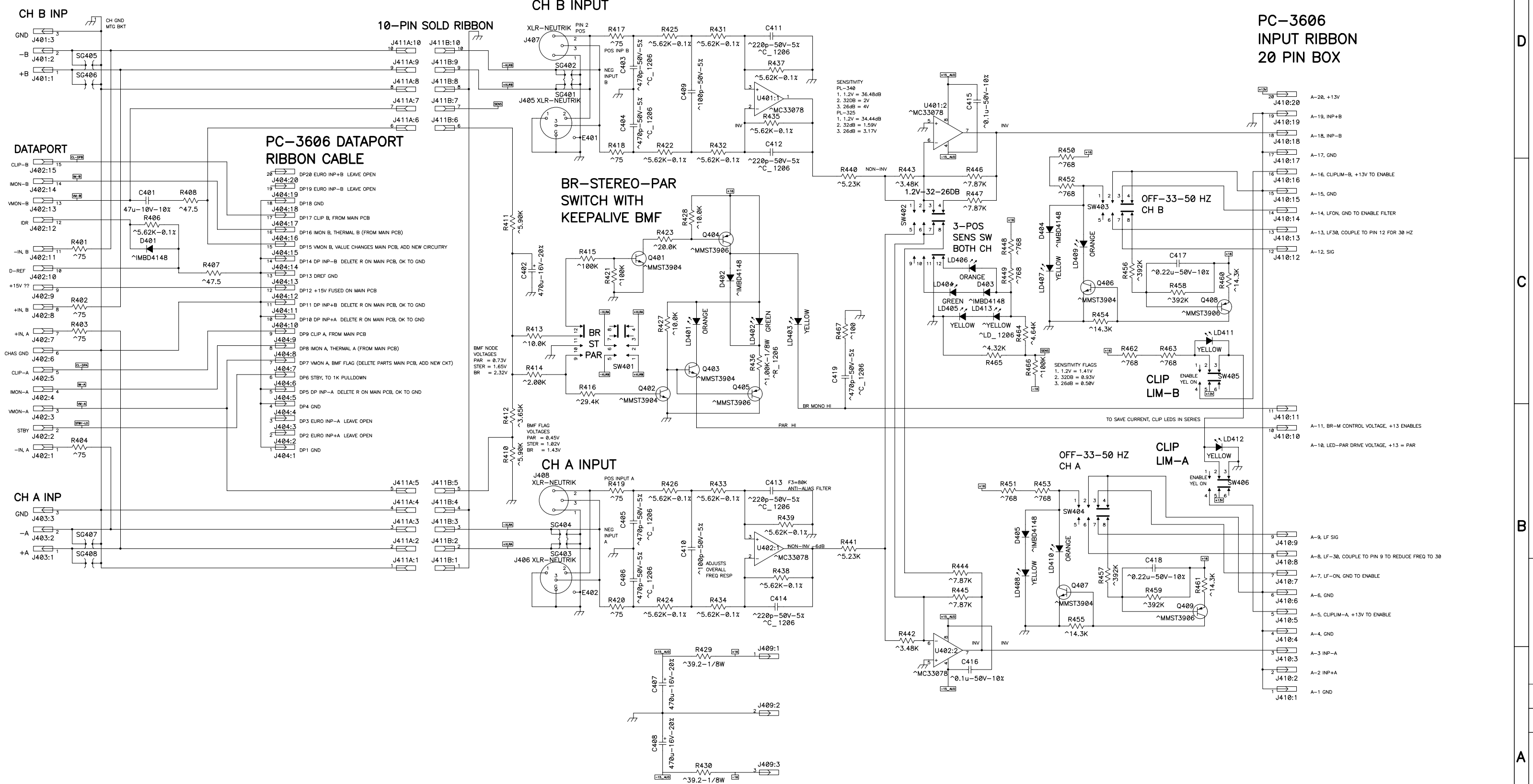
SCALE NONE    CAD FILE NO. SH-034002-A.sch    SHEET 1 OF 2

SOURCESAFE \$/DM/SH/SH034002

A REV 1 SH-034002-00 DWG NO.

THIS DOCUMENT CONTAINS PROPRIETARY INFORMATION WHICH IS THE PROPERTY OF QSC AUDIO PRODUCTS, THAT MAY NOT BE DISCLOSED, REPRODUCED OR USED WITHOUT EXPRESS WRITTEN CONSENT FROM QSC AUDIO PRODUCTS.

# PLC-BASED PL-3 INPUT PCB. NUMBERING 401-UP



D

D

C

C

B

B

A

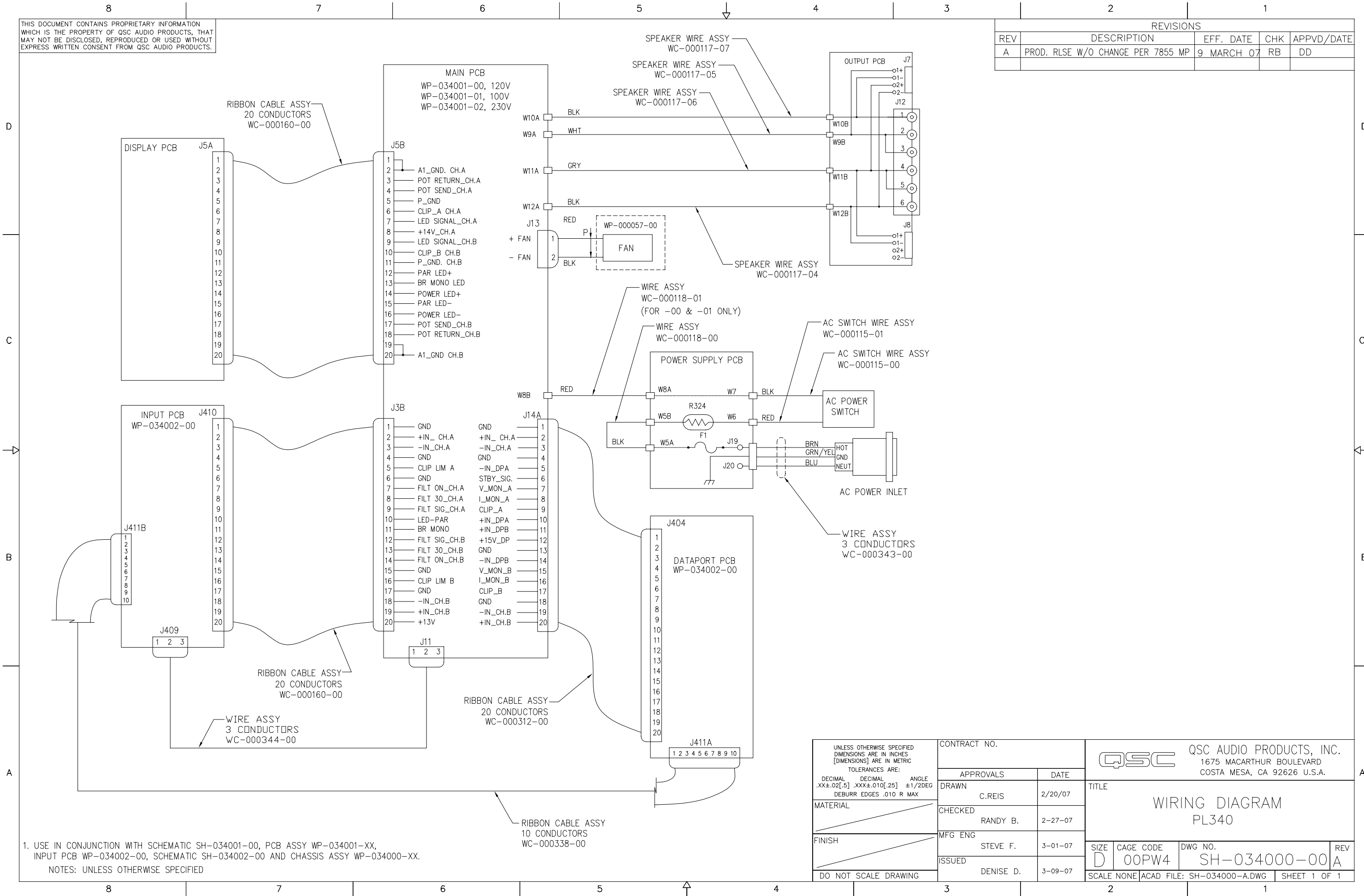
A

- A-20, +13V J410:20
- A-19, INP+B J410:19
- A-18, INP-B J410:18
- A-17, GND J410:17
- A-16, CLIPLIM-B, +13V TO ENABLE J410:16
- A-15, GND J410:15
- A-14, LFON, GND TO ENABLE FILTER J410:14
- A-13, LF3B, COUPLE TO PIN 12 FOR 3B HZ J410:13
- A-12, SIG J410:12
- A-11, BR-M CONTROL VOLTAGE, +13 ENABLES J410:11
- A-10, LED-PAR DRIVE VOLTAGE, +13 = PAR J410:10
- A-9, LF SIG J410:9
- A-8, LF-3B, COUPLE TO PIN 9 TO REDUCE FREQ TO 3B J410:8
- A-7, LF-ON, GND TO ENABLE J410:7
- A-6, GND J410:6
- A-5, CLIPLIM-A, +13V TO ENABLE J410:5
- A-4, GND J410:4
- A-3 INP-A J410:3
- A-2 INP+A J410:2
- A-1 GND J410:1

A REV 2 SH-034002-00 DWG NO.

THIS DOCUMENT CONTAINS PROPRIETARY INFORMATION WHICH IS THE PROPERTY OF QSC AUDIO PRODUCTS, THAT MAY NOT BE DISCLOSED, REPRODUCED OR USED WITHOUT EXPRESS WRITTEN CONSENT FROM QSC AUDIO PRODUCTS.

REVISIONS				
REV	DESCRIPTION	EFF. DATE	CHK	APPVD/DATE
A	PROD. RLSE W/O CHANGE PER 7855 MP	9 MARCH 07	RB	DD



1. USE IN CONJUNCTION WITH SCHEMATIC SH-034001-00, PCB ASSY WP-034001-XX, INPUT PCB WP-034002-00, SCHEMATIC SH-034002-00 AND CHASSIS ASSY WP-034000-XX.  
 NOTES: UNLESS OTHERWISE SPECIFIED

<small>UNLESS OTHERWISE SPECIFIED DIMENSIONS ARE IN INCHES [DIMENSIONS] ARE IN METRIC TOLERANCES ARE:          DECIMAL .XX±.02[.5] .XXX±.010[.25] ANGLE ±1/2DEG          DEBURR EDGES .010 R MAX</small>	CONTRACT NO.		QSC AUDIO PRODUCTS, INC. 1675 MACARTHUR BOULEVARD COSTA MESA, CA 92626 U.S.A.		
	APPROVALS	DATE			
	DRAWN	C.REIS	2/20/07	TITLE <b>WIRING DIAGRAM</b> PL340	
	CHECKED	RANDY B.	2-27-07		
MFG ENG	STEVE F.	3-01-07			
ISSUED	DENISE D.	3-09-07	SIZE D CAGE CODE 00PW4 DWG NO. SH-034000-00 REV A		
DO NOT SCALE DRAWING	SCALE NONE		ACAD FILE: SH-034000-A.DWG	SHEET 1 OF 1	