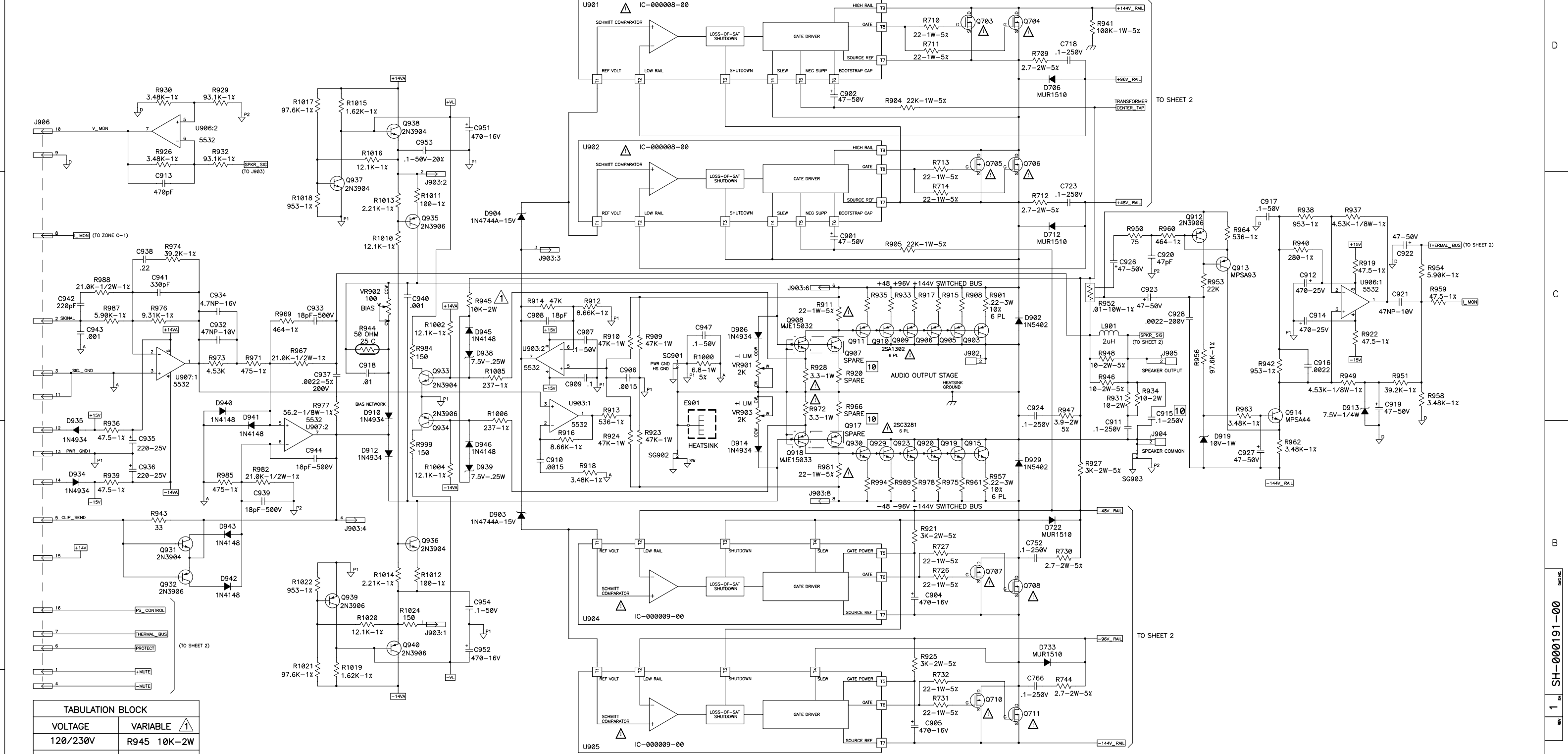


THIS DOCUMENT CONTAINS PROPRIETARY INFORMATION WHICH IS THE PROPERTY OF QSC AUDIO PRODUCTS. THAT MAY NOT BE DISCLOSED, REPRODUCED OR USED WITHOUT EXPRESS WRITTEN CONSENT FROM QSC AUDIO PRODUCTS.

REVISIONS				
ZONE	REV	DESCRIPTION	DATE	APPROVED



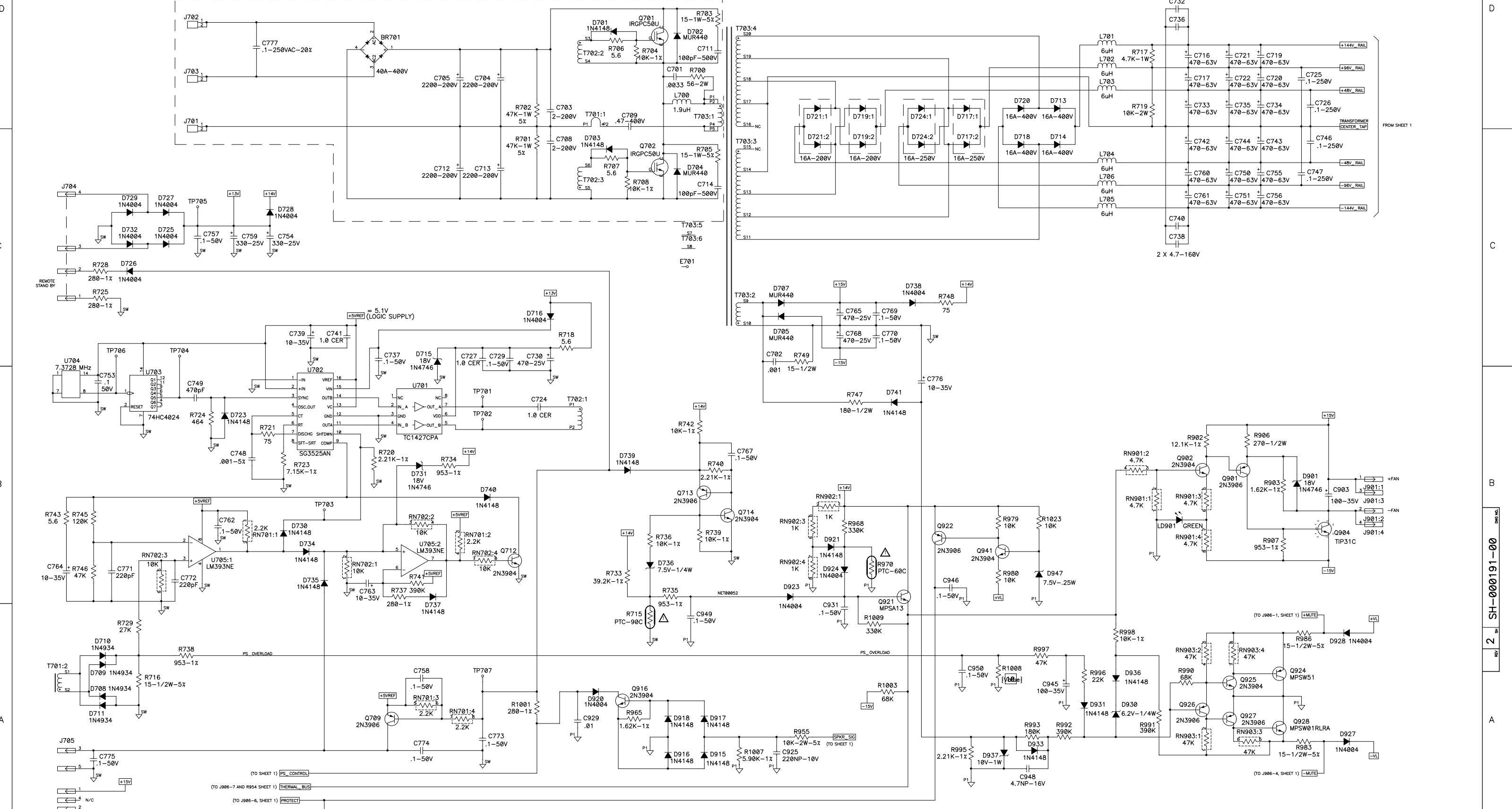
5. Q703-708, 710, 711 ARE SWITCHING FETS, QSC P/N QD-000031-QD, 125W, 60V MINIMUM, ON-RESISTANCE 0.030 OHMS MAX.
4. R715, 970 ARE POSITIVE TEMPERATURE COEFFICIENT RESISTORS MOUNTED TO HEAT SINK. RESISTANCE 100 OHM COLD, RISING AT 55C. QSC P/N RE-000006-VP.
3. ALL CAPACITORS 100V. TOLERANCE 20% FOR ELECTROLYTIC TYPES, 10% ON OTHER TYPES.
2. ALL RESISTORS ARE 1/4-WATT, 5%.
1. THIS DRAWING USED IN CONJUNCTION WITH PCB ASSEMBLY WP-000191-XX AND WP-000202-00.
- NOTES: UNLESS OTHERWISE SPECIFIED

- 10 COMPONENTS Q907, Q917, R920, R966, R1008, AND C915 ARE SPARES AND ARE NOT LISTED IN THE BILL OF MATERIALS.
9. TO-220 DIODES D713, 714 AND 724 ARE SELECTED FOR PEAK REVERSE VOLTAGE GREATER THAN 250V.
8. PARTS ENCLOSED WITHIN DOTTED OUTLINE HAVE VOLTAGES GREATER THAN 42V.
7. PARTS MARKED WITH TRIANGLE Δ MUST BE REPLACED WITH EXACT TYPE ONLY.
6. ZENERS D736, D947 AND D913, MARKED 7.5V, LOW LEAKAGE, QSC P/N QD-0007.5-ZT. ZENER D930, MARKED 6.2V, LOW LEAKAGE, QSC P/N QD-000024-QD.

TABULATION BLOCK	
VOLTAGE	VARIABLE Δ
120/230V	R945 10K-2W
100V	R945 18K-1W

QTY	ITEM NO.	PART NO.	DESCRIPTION	VENDOR
PARTS LIST				
UNLESS OTHERWISE SPECIFIED DIMENSIONS ARE IN INCHES. DIMENSIONS PER ANSI Y14.5-1982 TOLERANCES ARE:			CONTRACT NO.	
DECIMALS	DECIMALS	ANGLES	APPROVALS	
.XX ±	.XXX ±	0	DATE	
MATERIAL			DRAWN	
FINISH			P. QUILTER	
NEXT ASSY			CHECKED	
APPLICATION			W. RULAND	
DO NOT SCALE DRAWING			ISSUED	
			T. SHOOK	
			CAD SEED FILE NO.	
			SH0191-H.SCH	
			SCALE	
			NONE	
			FSCM NO.	
			DWG NO.	
			SH-000191-00	
			REV	
			1 OF 2	
			P:\TANGPROV\PL4.0\MAIN	
			PLOT DATE:	
			Thu May 04, 2000	

THIS DOCUMENT CONTAINS PROPRIETARY INFORMATION WHICH IS THE PROPERTY OF QSC AUDIO PRODUCTS. THAT MAY NOT BE DISCLOSED, REPRODUCED OR USED WITHOUT EXPRESS WRITTEN CONSENT FROM QSC AUDIO PRODUCTS.

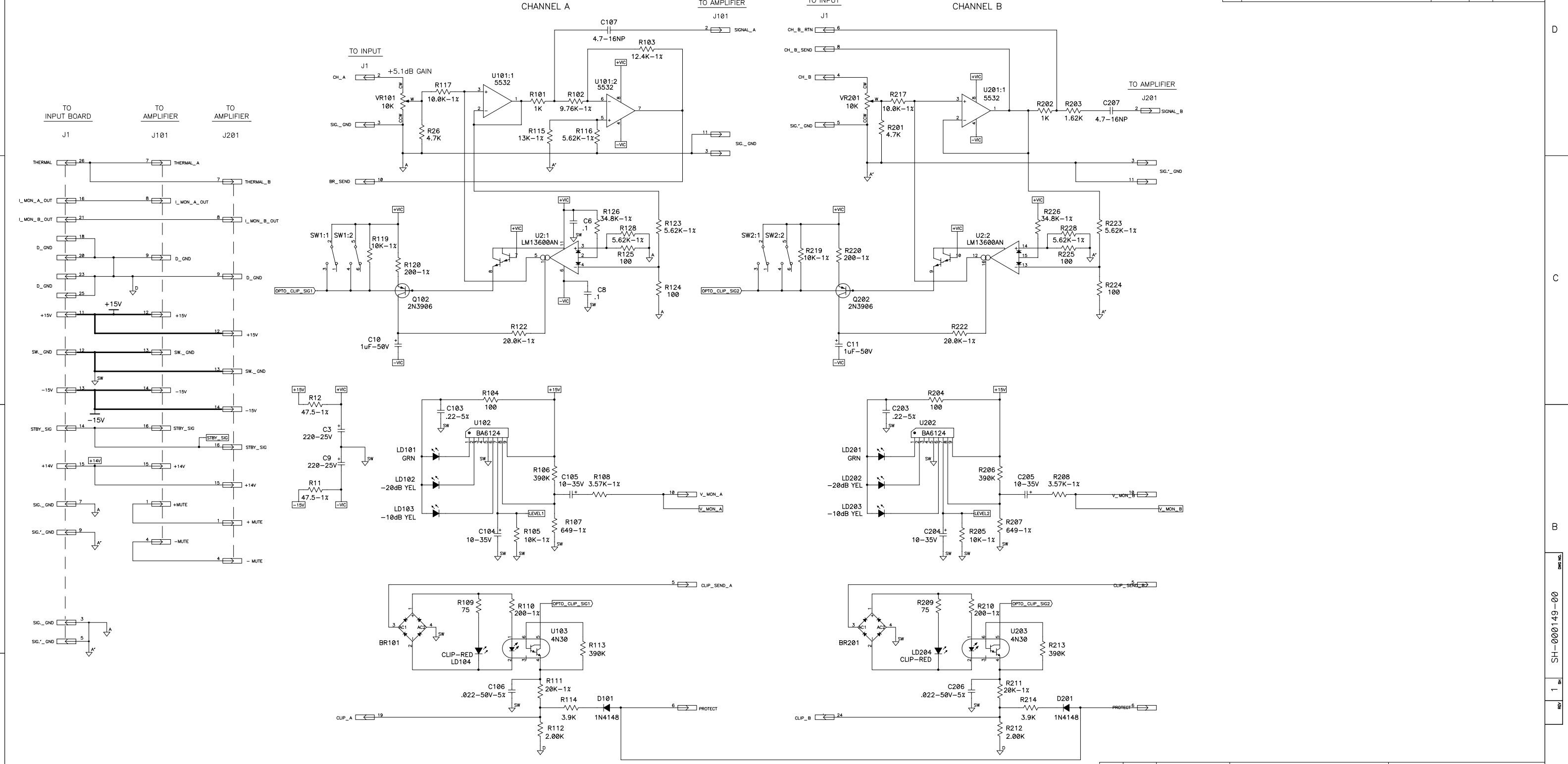


NOTES: UNLESS OTHERWISE SPECIFIED

SIZE	FSCM NO.	DWG NO.	REV
D		SH-000191-00	
SCALE	CAD FILE NO.	SHEET	2 OF 2
	Sh191-h1.sch		
PLOT DATE:		1	
Thu May 04, 2000			

THIS DOCUMENT CONTAINS PROPRIETARY INFORMATION WHICH IS THE PROPERTY OF QSC AUDIO PRODUCTS. THAT MAY NOT BE DISCLOSED, REPRODUCED OR USED WITHOUT EXPRESS WRITTEN CONSENT FROM QSC AUDIO PRODUCTS.

REVISION				
REV	DESCRIPTION	EFF. DATE	CHK	APPROVED / DATE



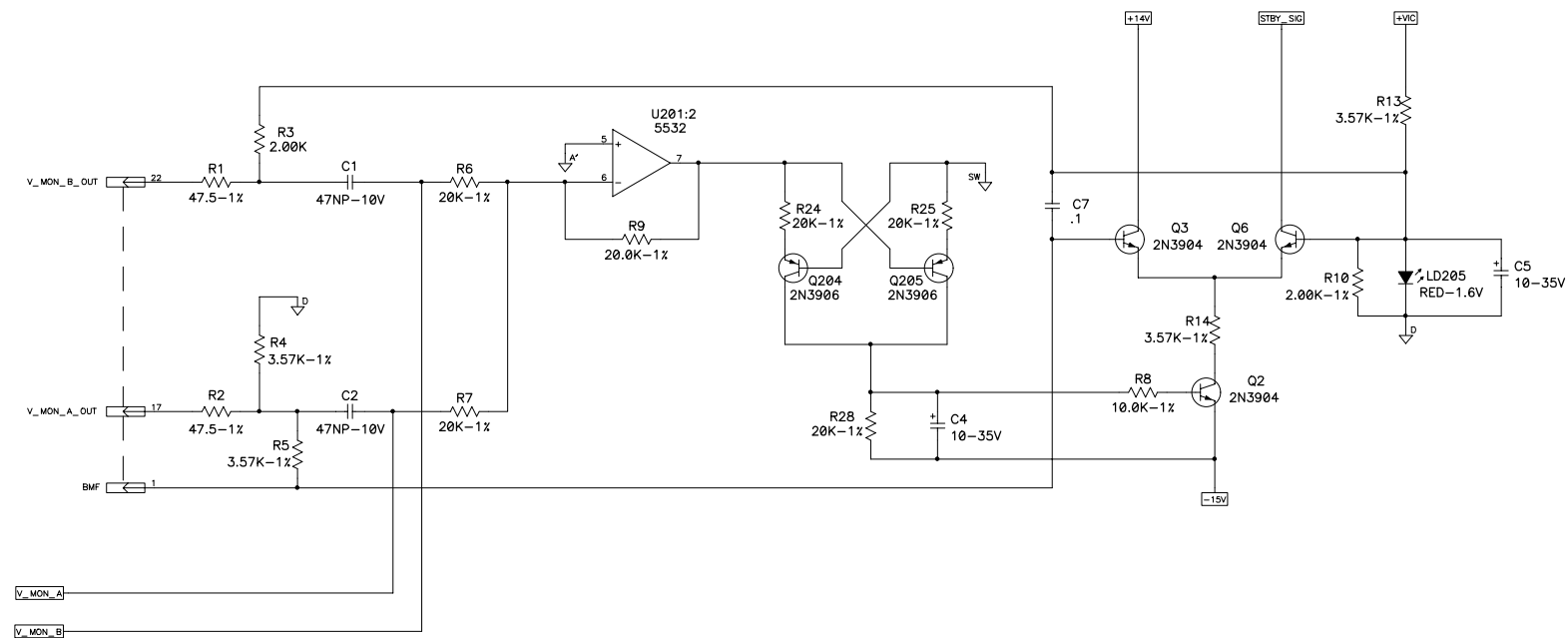
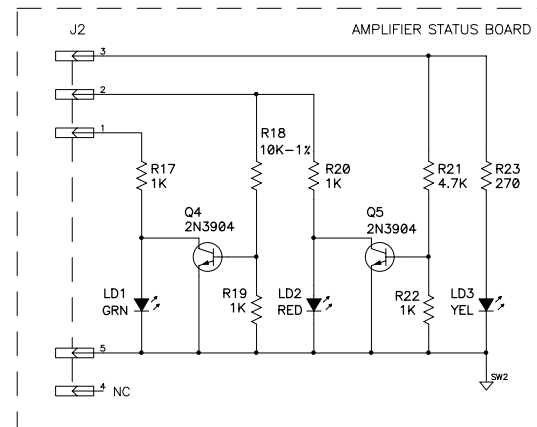
4. PARTS IN COMMON WITH BOTH CHANNELS NUMBERED 1-99.
 CH 1 COMPONENTS NUMBERED 101-199.
 CH 2 COMPONENTS NUMBERED 201-299.
 3. CAPACITORS ARE IN MICROFARADS, 25V MIN.
 2. RESISTORS ARE IN OHMS, 1/4W_400, 5%.
 1. THIS DRAWING USED IN CONJUNCTION WITH ASSEMBLY WP-000149-00 AND FABRICATION DRAWING PC-000149-00.
- NOTES: UNLESS OTHERWISE SPECIFIED

QTY	ITEM NO.	PART NO.	DESCRIPTION	VENDOR
PARTS LIST				
UNLESS OTHERWISE SPECIFIED DIMENSIONS ARE IN INCHES. DIMENSIONS PER ANSI Y14.5-1982 TOLERANCES ARE:			QSC AUDIO PRODUCTS, INC. COSTA MESA, CALIFORNIA	
DECIMALS	DECIMALS	ANGLES		
.XX ±	.XXX ±	0	CONTRACT NO. APPROVALS DATE	
DEBURR EDGES .XXX R MAX MATERIAL			DRAWN R. BECKER 3-12-96	
FINISH			CHECKED W. RULAND 8-21-96	
NEXT ASSY USED ON			ISSUED T. SHOOK 8-22-96	
APPLICATION			CAD SEED FILE NO. SH0149-B.SCH Thu May 04 2000	
DO NOT SCALE DRAWING		SCALE	NONE	CAD FILE NO. sh0149-c.sch

SCHEMATIC DIAGRAM
 DISPLAY, POWERLIGHT DP

DWG NO. SH-000149-00
 SHEET 1 OF 2

THIS DOCUMENT CONTAINS PROPRIETARY INFORMATION WHICH IS THE PROPERTY OF QSC AUDIO PRODUCTS. THAT MAY NOT BE DISCLOSED, REPRODUCED OR USED WITHOUT EXPRESS WRITTEN CONSENT FROM QSC AUDIO PRODUCTS.



NOTES: UNLESS OTHERWISE SPECIFIED

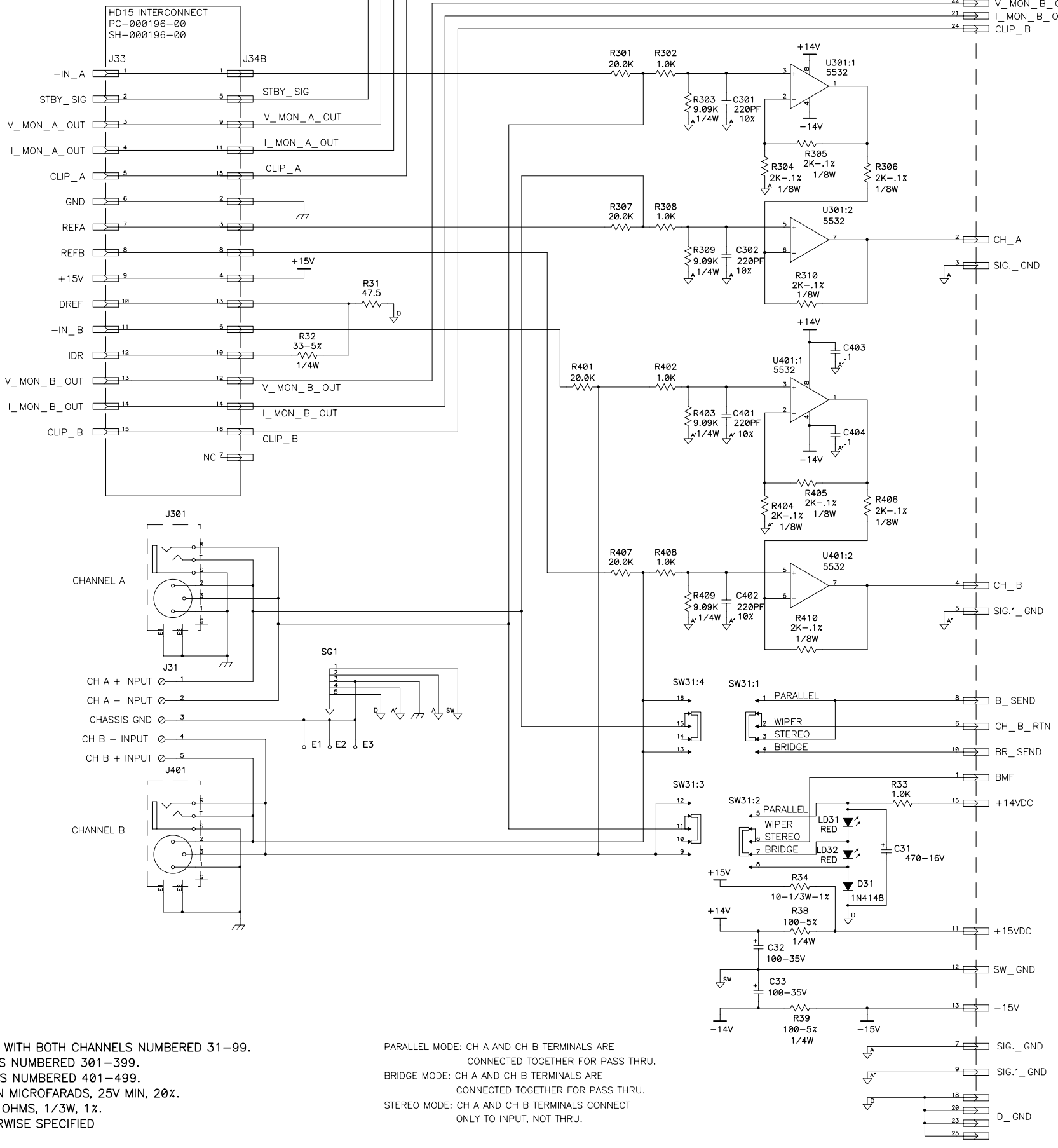
SIZE D	FSCM NO.	DWG NO. SH-000149-00	REV
SCALE NONE	CAD FILE NO. sh0149-c.sch	SHEET 2	

THIS DOCUMENT CONTAINS PROPRIETARY INFORMATION WHICH IS THE PROPERTY OF QSC AUDIO PRODUCTS, THAT MAY NOT BE DISCLOSED, REPRODUCED OR USED WITHOUT EXPRESS WRITTEN CONSENT FROM QSC AUDIO PRODUCTS.

SCHEMATIC DIAGRAM, INPUT/OUTPUT FOR PC-000193-00, REV 3

DOC NO. SH-000193-00, REV 4

REVISIONS				
ZONE	REV	DESCRIPTION	DATE	APPROVED



3. PARTS IN COMMON WITH BOTH CHANNELS NUMBERED 31-99.
 CH A COMPONENTS NUMBERED 301-399.
 CH B COMPONENTS NUMBERED 401-499.
 2. CAPACITORS ARE IN MICROFARADS, 25V MIN, 20%.
 1. RESISTORS ARE IN OHMS, 1/3W, 1%.
 NOTES: UNLESS OTHERWISE SPECIFIED

PARALLEL MODE: CH A AND CH B TERMINALS ARE CONNECTED TOGETHER FOR PASS THRU.
 BRIDGE MODE: CH A AND CH B TERMINALS ARE CONNECTED TOGETHER FOR PASS THRU.
 STEREO MODE: CH A AND CH B TERMINALS CONNECT ONLY TO INPUT, NOT THRU.

QTY	ITEM NO.	PART NO.	DESCRIPTION	VENDOR
PARTS LIST				
UNLESS OTHERWISE SPECIFIED DIMENSIONS ARE IN INCHES. DIMENSIONS PER ANSI Y14.5-1982 TOLERANCES ARE:				
DECIMALS	DECIMALS	ANGLES		
.XX ±	.XXX ±	0		
DEBURR EDGES .XXX R MAX				
MATERIAL				
FINISH				
POWERLIGHT 4.0				
NEXT ASSY USED ON				
APPLICATION DO NOT SCALE DRAWING				

QSC AUDIO PRODUCTS, INC.
 COSTA MESA, CALIFORNIA

CONTRACT NO. _____

APPROVALS _____ DATE _____

DRAWN B. LILLEMOMEN 7-18-95

CHECKED _____

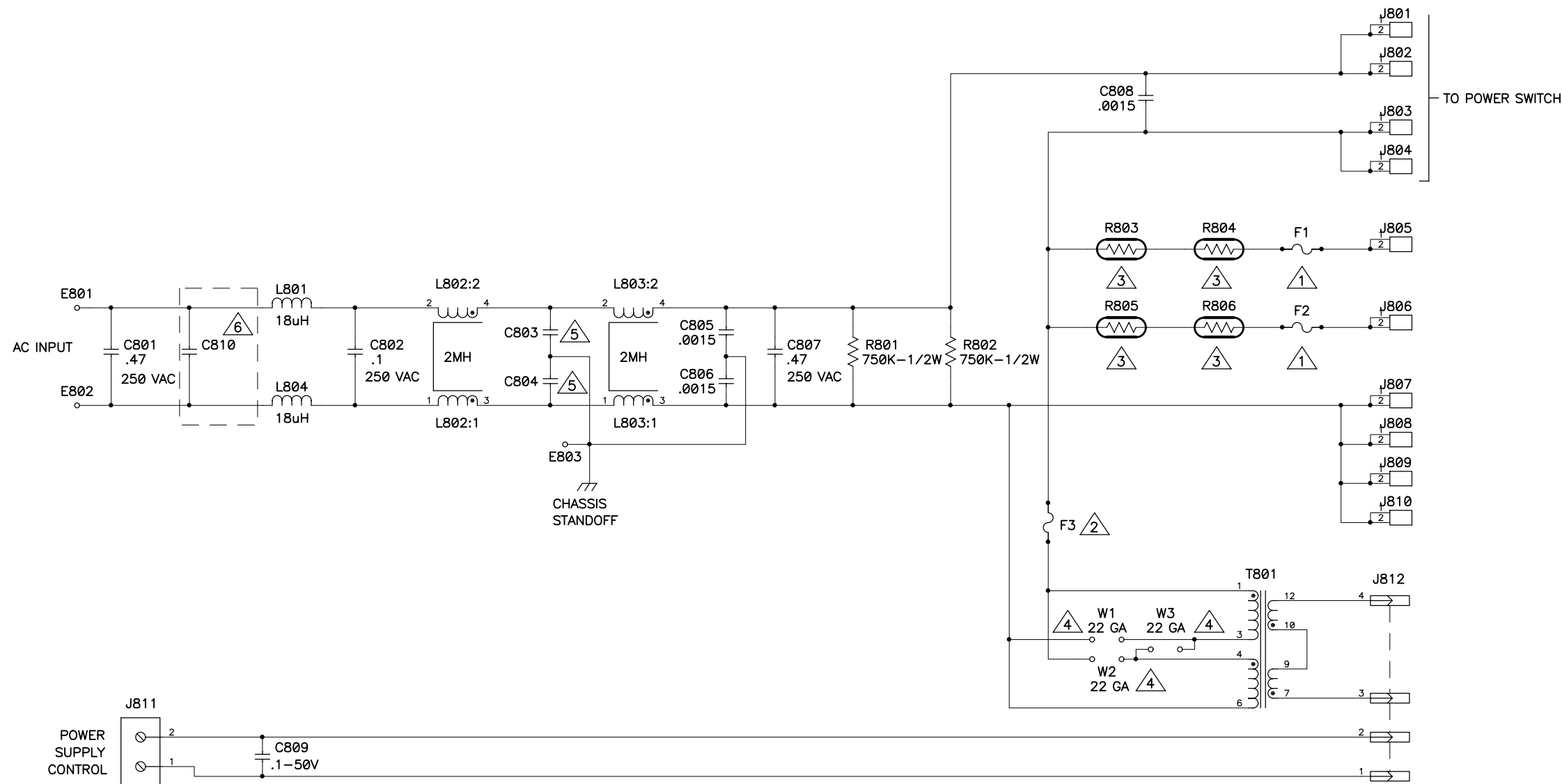
ISSUED _____

SIZE **D** FSCM NO. _____ DWG NO. **SH-000193-00** REV _____

CAD SEED FILE NO. SH0193-5.SCH Thu May 04, 2000 SCALE NONE CAD FILE NO. sh0193-b.sch SHEET 1 OF 1

THIS DOCUMENT CONTAINS PROPRIETARY INFORMATION WHICH IS THE PROPERTY OF QSC AUDIO PRODUCTS, THAT MAY NOT BE DISCLOSED, REPRODUCED OR USED WITHOUT EXPRESS WRITTEN CONSENT FROM QSC AUDIO PRODUCTS.

REVISIONS				
ZONE	REV	DESCRIPTION	DATE	APPROVED



TABULATION BLOCK

DASH NO.	F1 AND F2	F3	NTC R803-806	JUMPER INSTALLATION	C803 C804	C810
SH-000194-00	25A, 125V	1A, 250V	.5 OHM	W1, W2	.0033	NA
SH-000194-02	15A, 250V	0.5A, 250V	2 OHM	W3	.0015	.47

2. ALL CAPACITOR VALUES ARE IN MICROFARADS, 125/250 VAC, +/-20%.

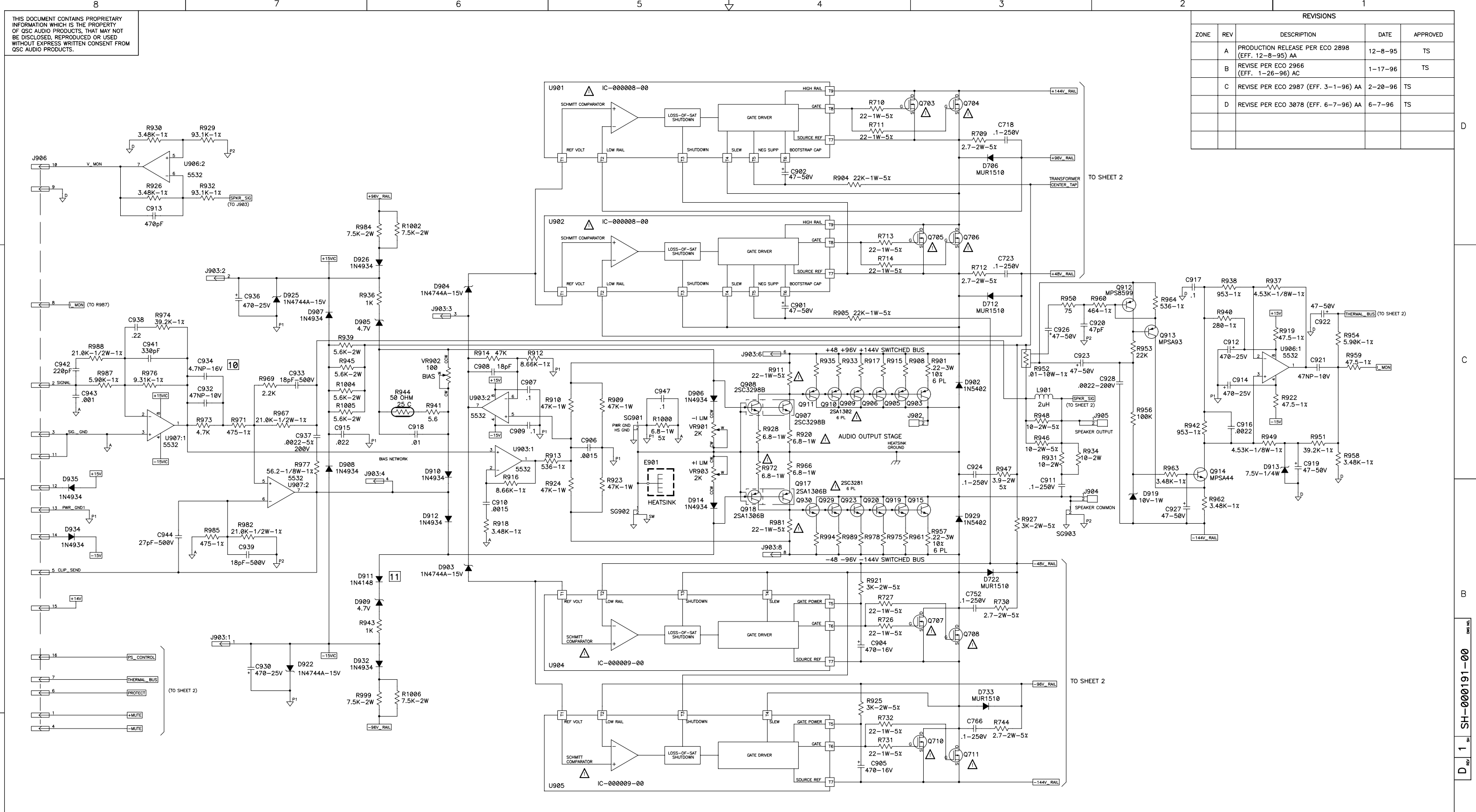
1. ALL RESISTOR VALUES ARE IN OHMS, 1/4 WATT, +/-5%.

NOTES: UNLESS OTHERWISE SPECIFIED

QTY	ITEM NO.	PART NO.	DESCRIPTION	VENDOR
PARTS LIST				
UNLESS OTHERWISE SPECIFIED DIMENSIONS ARE IN INCHES. DIMENSIONS PER ANSI Y14.5-1982 TOLERANCES ARE: DECIMALS DECIMALS ANGLES .XX ± .XXX ± 0 DEBURR EDGES .XXX R MAX MATERIAL			CONTRACT NO.	
FINISH			APPROVALS DATE	
NEXT ASSY USED ON			DRAWN B. LILLEMOEN 8-3-95	
APPLICATION			CHECKED NEIL P. 12-6-95	
DO NOT SCALE DRAWING			ISSUED TIM SHOOK 12-22-95	
			SIZE FSCM NO. DWG NO. REV	
			C NONE SH-000194-XX	
			SCALE NONE CAD FILE NO. Sh0194-b.sch SHEET 1 OF 1	

QSC AUDIO PRODUCTS, INC.
COSTA MESA, CALIFORNIA

**SCHEMATIC DIAGRAM,
AC FILTER, POWERLIGHT**



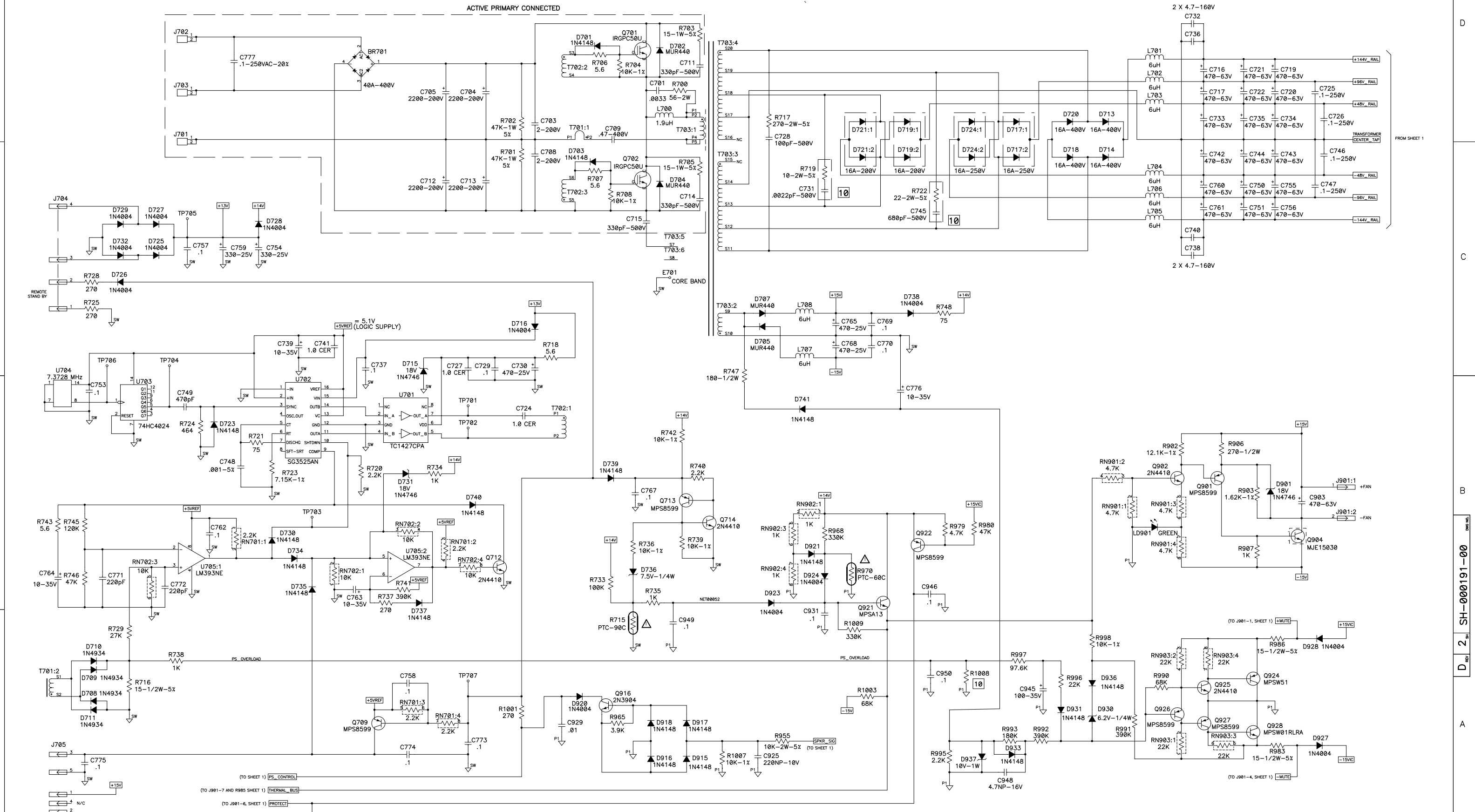
REVISIONS				
ZONE	REV	DESCRIPTION	DATE	APPROVED
	A	PRODUCTION RELEASE PER ECO 2898 (EFF. 12-8-95) AA	12-8-95	TS
	B	REVISE PER ECO 2966 (EFF. 1-26-96) AC	1-17-96	TS
	C	REVISE PER ECO 2987 (EFF. 3-1-96) AA	2-20-96	TS
	D	REVISE PER ECO 3078 (EFF. 6-7-96) AA	6-7-96	TS

5. Q703-708, 710, 711 ARE SWITCHING FETS, QSC P/N QD-000031-QD, 125W, 60V MINIMUM, ON-RESISTANCE 0.030 OHMS MAX.
4. R715, 970 ARE POSITIVE TEMPERATURE COEFFICIENT RESISTORS MOUNTED TO HEAT SINK. RESISTANCE 100 OHM COLD, RISING AT 55C. QSC P/N RE-000006-VP.
3. ALL CAPACITORS 100V. TOLERANCE 20% FOR ELECTROLYTIC TYPES, 10% ON OTHER TYPES.
2. ALL RESISTORS ARE 1/4-WATT, 5%.
1. THIS DRAWING USED IN CONJUNCTION WITH PCB ASSEMBLY WP-000191-00.
- NOTES: UNLESS OTHERWISE SPECIFIED

- [11] D911 SUBJECT TO BUPASS FOR CURRENT LIMIT ADJUST.
- [10] COMPONENTS R719, R722, R1008, C745 AND C934 ARE SPARES AND ARE NOT LISTED IN THE BILL OF MATERIALS.
9. TO-220 DIODES D713, 714 AND 724 ARE SELECTED FOR PEAK REVERSE VOLTAGE GREATER THAN 250V.
8. PARTS ENCLOSED WITHIN DOTTED OUTLINE HAVE VOLTAGES GREATER THAN 42V.
7. PARTS MARKED WITH TRIANGLE Δ MUST BE REPLACED WITH EXACT TYPE ONLY.
6. ZENERS D736, D947 AND D913, MARKED 7.5V, LOW LEAKAGE, QSC P/N QD-0007.5-ZT. ZENER D930, MARKED 6.2V, LOW LEAKAGE, QSC P/N QD-00024-QD.

QTY	ITEM NO.	PART NO.	DESCRIPTION	VENDOR
PARTS LIST				
UNLESS OTHERWISE SPECIFIED DIMENSIONS ARE IN INCHES. DIMENSIONS PER ANSI Y14.5-1982 TOLERANCES ARE:			QSC AUDIO PRODUCTS, INC. COSTA MESA, CALIFORNIA SCHEMATIC DIAGRAM MAIN PCB, POWERLIGHT 4.0	
DECIMALS	DECIMALS	ANGLES		
.XX ±	.XXX ±	0	CONTRACT NO. APPROVALS DATE DRAWN P. QUILTER CHECKED MATERIAL	
FINISH	PL 4.0	SCALE	ISSUED	SIZE D FSCM NO. DWG NO. SH-000191-00 REV D
WP-000191-00	USED ON	SCALE	CAD SEED FILE NO.	PLOT DATE: Mon Dec 11, 2006 SHEET 1 OF 2
NEXT ASSY	APPLICATION	SCALE	CAD FILE NO.	
	DO NOT SCALE DRAWING	SCALE	SH0191-D.sch	

THIS DOCUMENT CONTAINS PROPRIETARY INFORMATION WHICH IS THE PROPERTY OF QSC AUDIO PRODUCTS. THAT MAY NOT BE DISCLOSED, REPRODUCED OR USED WITHOUT EXPRESS WRITTEN CONSENT FROM QSC AUDIO PRODUCTS.



NOTES: UNLESS OTHERWISE SPECIFIED

SIZE	FSCM NO.	DWG NO.	REV
D		SH-000191-00	D
SCALE	CAD FILE NO.	SHEET	2 OF 2
	SH0191-D.sch		
PLOT DATE:			
Mon Dec 11, 2006			