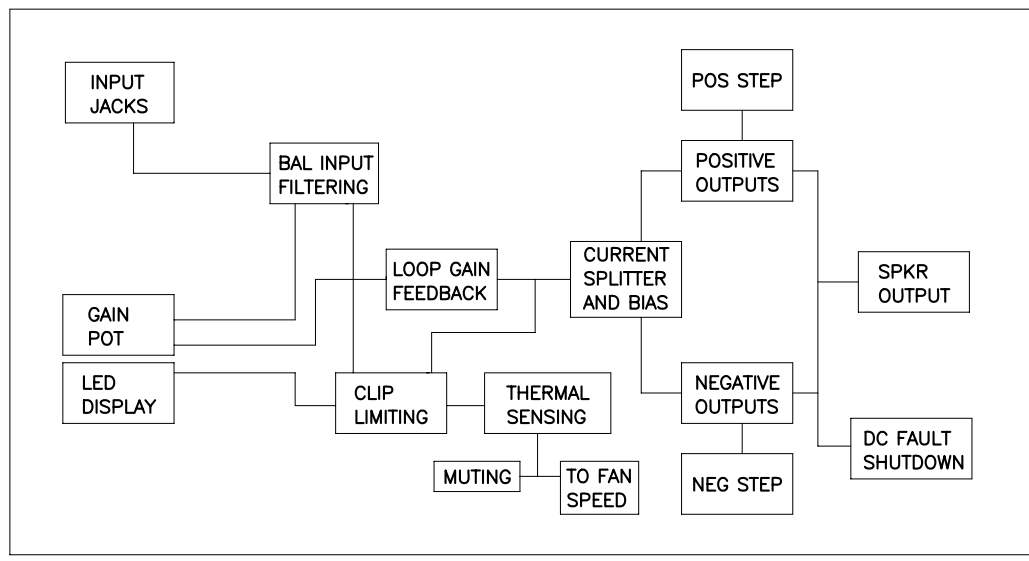
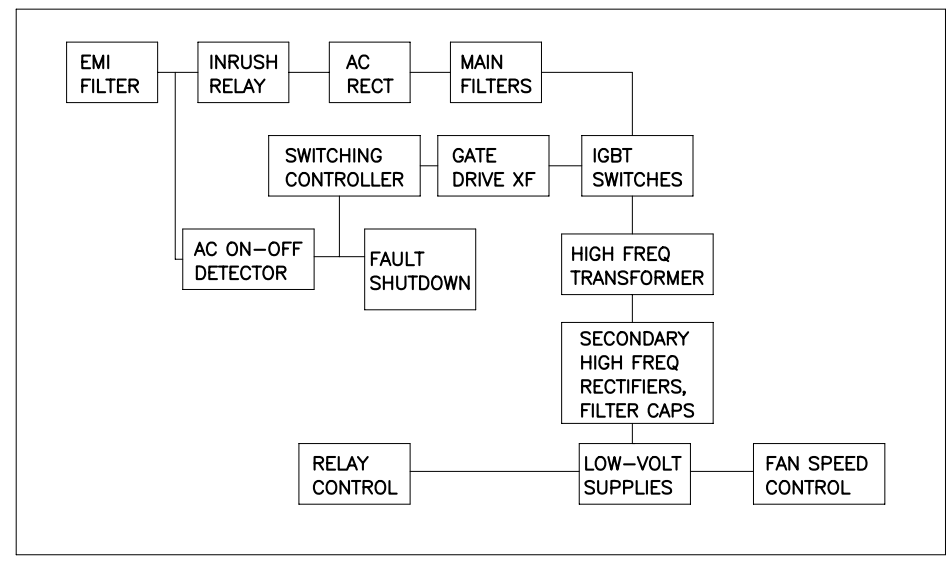


THIS DOCUMENT CONTAINS PROPRIETARY INFORMATION WHICH IS THE PROPERTY OF QSC AUDIO PRODUCTS, THAT MAY NOT BE DISCLOSED, REPRODUCED OR USED WITHOUT EXPRESS WRITTEN CONSENT FROM QSC AUDIO PRODUCTS.

REVISION				
REV	DESCRIPTION	EFF. DATE	CHK	APPROVED/DATE
A	PRODUCTION RELEASE PER ECO 7030	2-17-06	RAB	DD
B	REVISED PER ECO 7067	3-10-06	RAB	DD
C	REVISED PER ECO 7089	3-16-06	RAB	DD
D	REVISED PER ECO 7094	3-22-06		DD



CHANNEL A AND B  
AUDIO CIRCUITS  
SHEET 2



SWITCHING  
POWER  
SUPPLY  
SHEET 3

- 8. ZENER TOLERANCE IS 5%
- 7. SMT CAPACITOR VOLTAGE IS 50V
- 6. SMT RESISTOR WATTAGE RATING IS 0.1W
- 5. RESISTOR WATTAGE RATING IS 1/4W  
FOR RESISTOR WATTAGE RATINGS GREATER THAN 1W, TOLERANCE IS 5%  
FOR RESISTOR WATTAGE RATINGS LESS THAN 1/2W, TOLERANCE IS 1%
- 4. THROUGH-HOLE FILM AND CERAMIC CAPACITOR TOLERANCE IS 10%, VOLTAGE IS 100V
- 3. ELECTROLYTIC CAPACITOR TOLERANCE IS 20%
- 2. COMPONENTS WITH VALUE PREFIXED WITH A \*^\* REPRESENT SMT COMPONENTS.
- 1. THIS DRAWING USED IN CONJUNCTION WITH PC-001810-00.PCB.

TABULATION BLOCK						
VERSION	T3	CB	J400, 401	C400	L400	R400, 401
120V	XF-183	15A	N/A	N/A	N/A	N/A
100V	100V	15A	N/A	N/A	N/A	N/A
230V	XF-183	8A	CO-000009-ZT	CA-518001-00	XF-271	RE-005606-10

QTY	ITEM NO.	PART NO.	DESCRIPTION	VENDOR
PARTS LIST				
UNLESS OTHERWISE SPECIFIED DIMENSIONS ARE IN INCHES. DIMENSIONS PER ANSI Y14.5-1982 TOLERANCES ARE: DECIMALS    DECIMALS    ANGLES .xx ±        .xxx ±        0			CONTRACT NO.	
DEBURR EDGES .XXX R MAX MATERIAL			APPROVALS    DATE	
FINISH			DRAWN PAT QUILTER    2-13-2006	
NEXT ASSY    USED ON			CHECKED R. BECKER    2-16-06	
APPLICATION			ISSUED D. DELARM    2-17-06	
DO NOT SCALE DRAWING			CAD SEED FILE NO.	

**QSC AUDIO PRODUCTS, INC.**  
COSTA MESA, CALIFORNIA

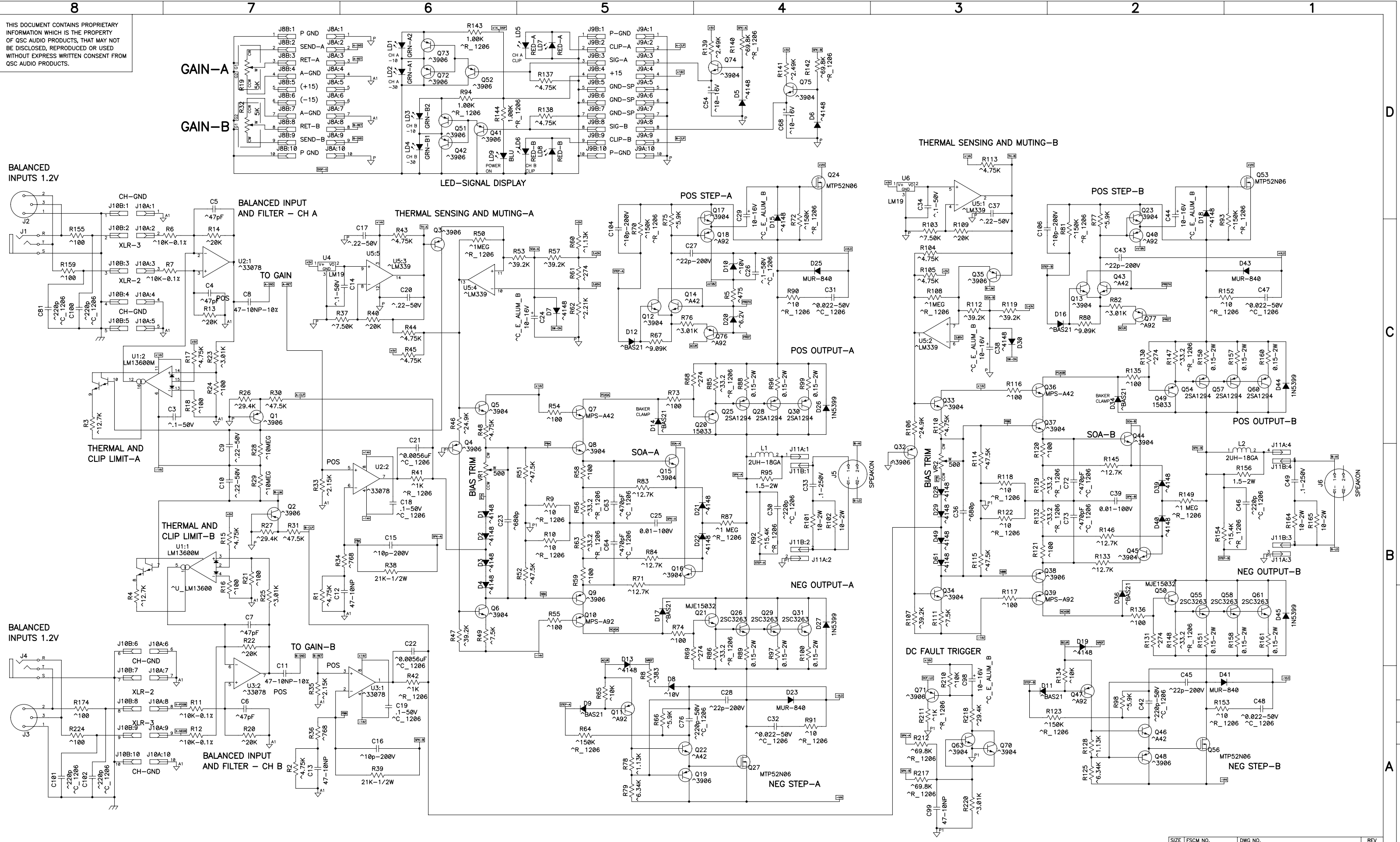
**SCHEMATIC DIAGRAM**  
**PLX1804**

SIZE: **D**    FSCM NO.    DWG NO. **SH-001810-00**    REV **D**

SCALE: NONE    CAD FILE NO. SH-001810-00-RevD.sch    SHEET 1 OF 3

D REV 1 SH-001810-00

THIS DOCUMENT CONTAINS PROPRIETARY INFORMATION WHICH IS THE PROPERTY OF QSC AUDIO PRODUCTS, THAT MAY NOT BE DISCLOSED, REPRODUCED OR USED WITHOUT EXPRESS WRITTEN CONSENT FROM QSC AUDIO PRODUCTS.



THIS DOCUMENT CONTAINS PROPRIETARY INFORMATION WHICH IS THE PROPERTY OF QSC AUDIO PRODUCTS, THAT MAY NOT BE DISCLOSED, REPRODUCED OR USED WITHOUT EXPRESS WRITTEN CONSENT FROM QSC AUDIO PRODUCTS.

### HIGH FREQUENCY POWER SUPPLY

### SECONDARY-SIDE POWER SUPPLY

