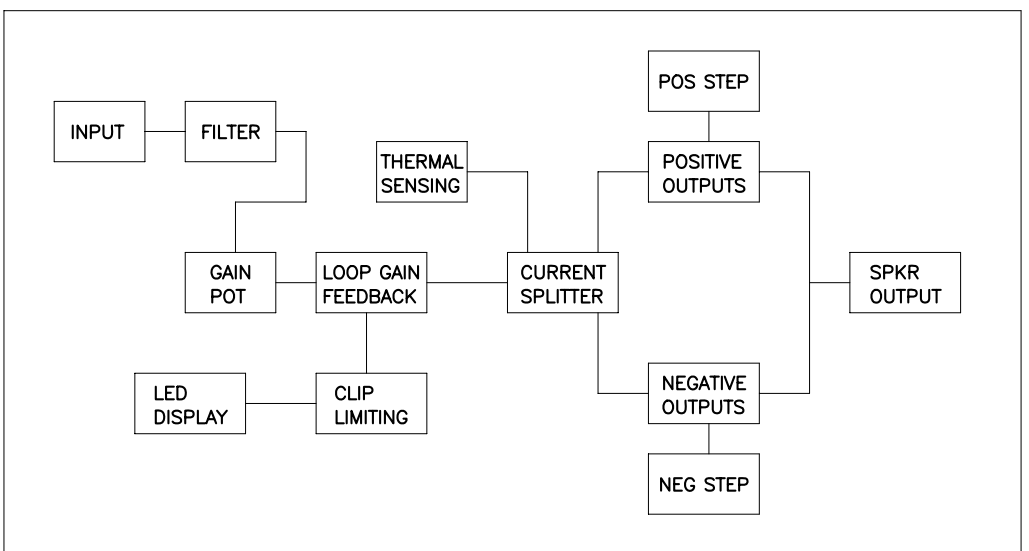
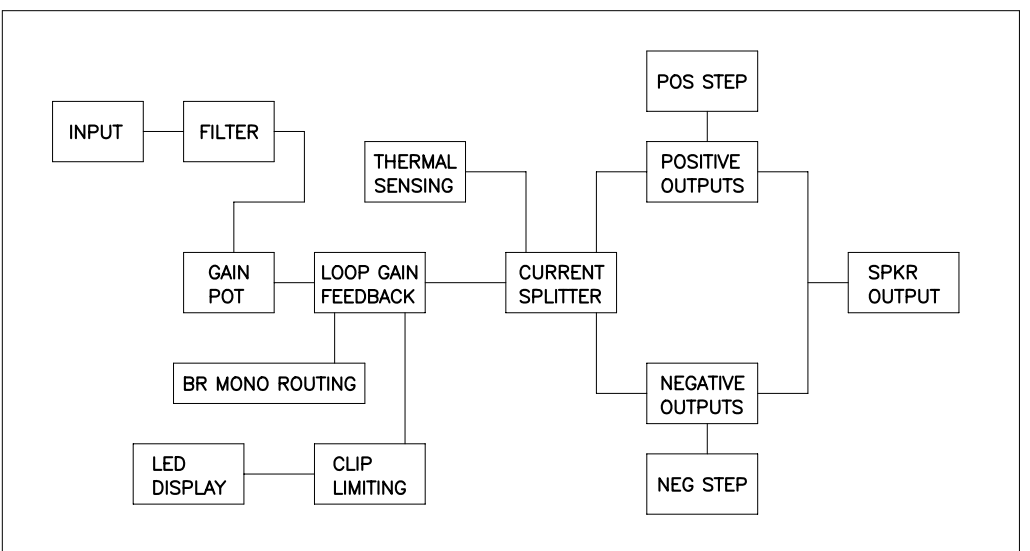


THIS DOCUMENT CONTAINS PROPRIETARY INFORMATION WHICH IS THE PROPERTY OF QSC AUDIO PRODUCTS, THAT MAY NOT BE DISCLOSED, REPRODUCED OR USED WITHOUT EXPRESS WRITTEN CONSENT FROM QSC AUDIO PRODUCTS.

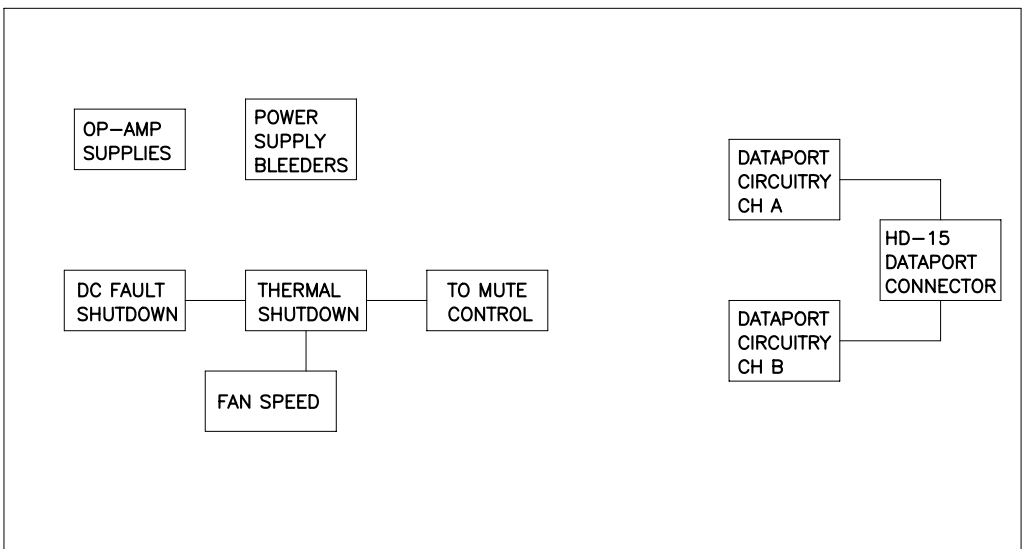
REVISION				
REV	DESCRIPTION	EFF. DATE	CHK	APPROVED / DATE
A	PRODUCTION RELEASE PER ECO 6947 AA	12-23-05	RAB	DD



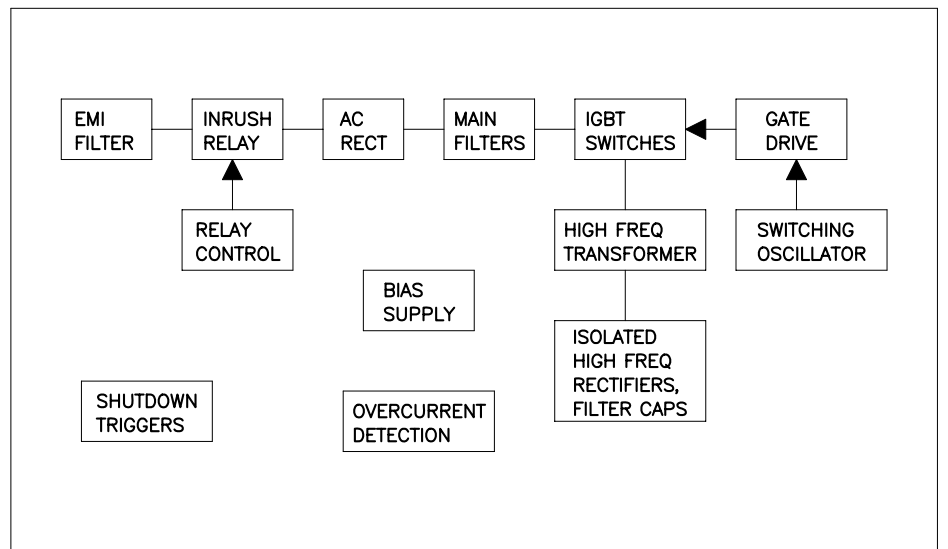
CHANNEL A
AUDIO CIRCUITS
SHEET 2



CHANNEL B
AUDIO CIRCUITS
SHEET 3



SUPPORT,
PROTECTION
AND DATAPORT
CIRCUITS
SHEET 4



SWITCHING
POWER
SUPPLY
SHEET 5

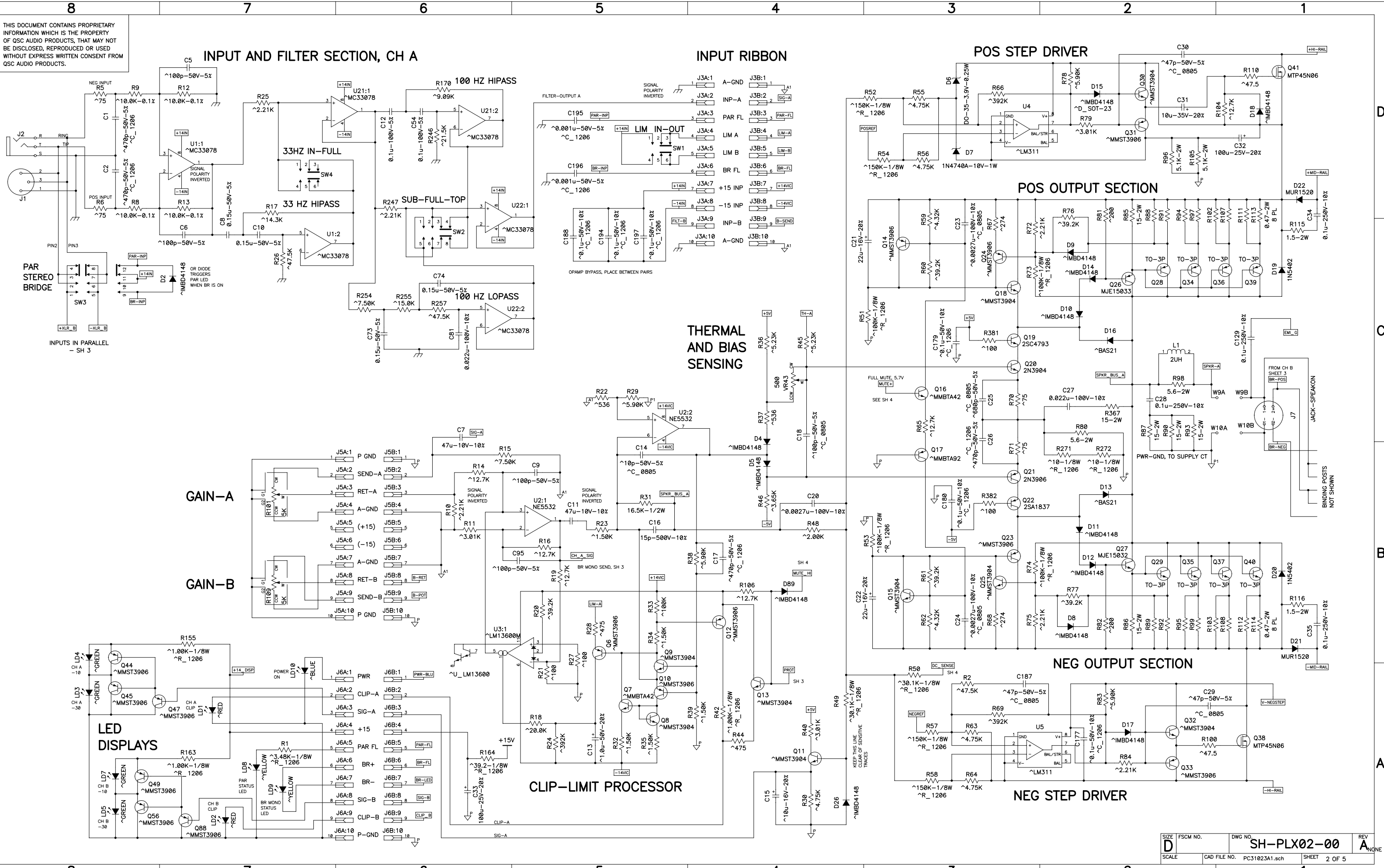
TABULATION BLOCK			
DASH NO.	F1	1	R321, 322, 326, 328 2
-00 (120V)	25A, 125V		487K
-01 (100V)	30A, 125V		392K
-02 (230V)	15A, 250V		487K

QTY	ITEM NO.	PART NO.	DESCRIPTION	VENDOR
UNLESS OTHERWISE SPECIFIED DIMENSIONS ARE IN INCHES. DIMENSIONS PER ANSI Y14.5-1982 TOLERANCES ARE: DECIMALS DECIMALS ANGLES .XX ± .XXX ± ° DEBURR EDGES .XXX R MAX MATERIAL FINISH				
CONTRACT NO.		QSC AUDIO PRODUCTS, INC. COSTA MESA, CALIFORNIA		
APPROVALS		DATE		
DRAWN PAT QUILTER		6-24-05		
CHECKED R. BECKER		X		
ISSUED D. DELARM		SIZE FSCM NO. DWG NO. REV		
CAD SEED FILE NO.		D SH-003103-00 A		
APPLICATION		DO NOT SCALE DRAWING		
NEXT ASSY USED ON		PLOT DATE: Wed Jan 04, 2006 SCALE NONE CAD FILE NO. PC31023A1.sch SHEET 1 OF 5		

2. COMPONENTS WITH VALUE PREFIXED WITH A "*" REPRESENT SMT COMPONENTS.
1. THIS DRAWING USED IN CONJUNCTION WITH ASSEMBLY WP-003102-XX.
NOTES: UNLESS OTHERWISE SPECIFIED

DWG NO. SH-003103-00 REV 1

THIS DOCUMENT CONTAINS PROPRIETARY INFORMATION WHICH IS THE PROPERTY OF QSC AUDIO PRODUCTS, THAT MAY NOT BE DISCLOSED, REPRODUCED OR USED WITHOUT EXPRESS WRITTEN CONSENT FROM QSC AUDIO PRODUCTS.



INPUT AND FILTER SECTION, CH A

INPUT RIBBON

POS STEP DRIVER

POS OUTPUT SECTION

THERMAL AND BIAS SENSING

GAIN-A

GAIN-B

NEG OUTPUT SECTION

NEG STEP DRIVER

CLIP-LIMIT PROCESSOR

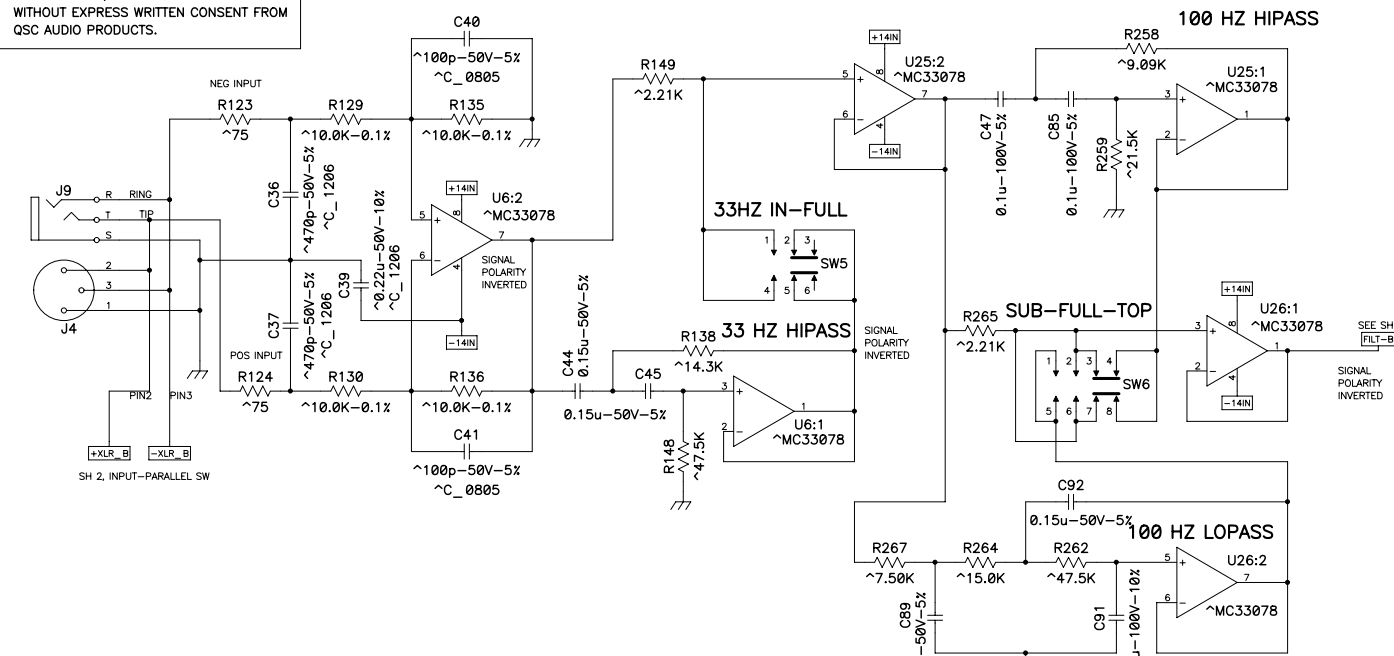
LED DISPLAYS

Pinout table for connectors J5A and J5B:

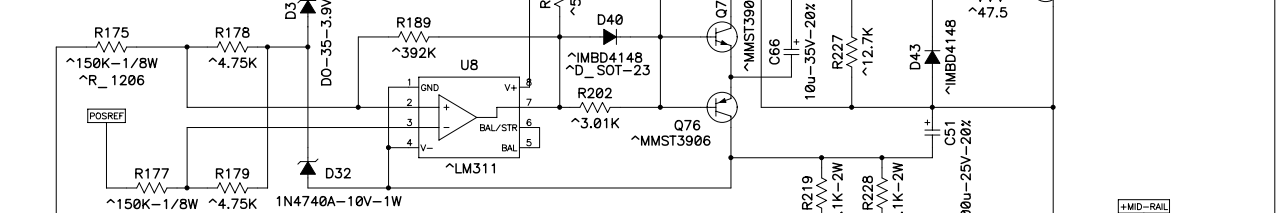
J5A:1	P GND	J5B:1	
J5A:2	SEND-A	J5B:2	
J5A:3	RET-A	J5B:3	
J5A:4	A-GND	J5B:4	
J5A:5	(+15)	J5B:5	
J5A:6	(-15)	J5B:6	
J5A:7	A-GND	J5B:7	
J5A:8	RET-B	J5B:8	B-RET
J5A:9	SEND-B	J5B:9	B-POT
J5A:10	P GND	J5B:10	

THIS DOCUMENT CONTAINS PROPRIETARY INFORMATION WHICH IS THE PROPERTY OF QSC AUDIO PRODUCTS, THAT MAY NOT BE DISCLOSED, REPRODUCED OR USED WITHOUT EXPRESS WRITTEN CONSENT FROM QSC AUDIO PRODUCTS.

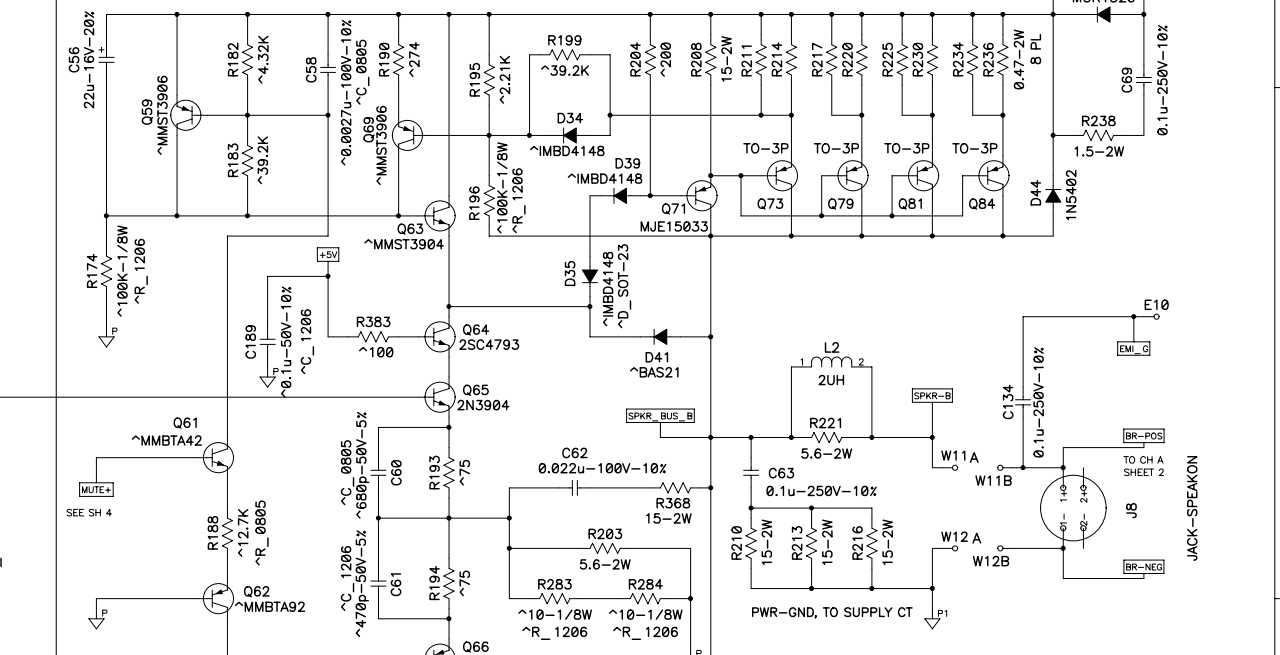
INPUT AND FILTER SECTION, CH B



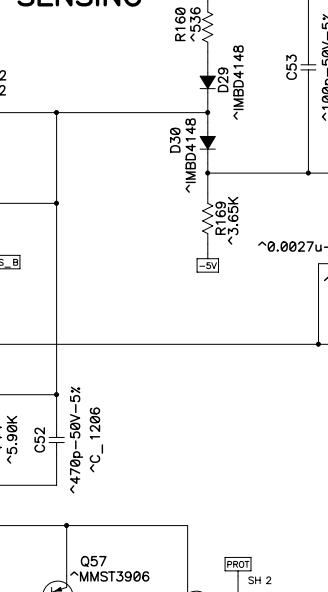
POS STEP DRIVER



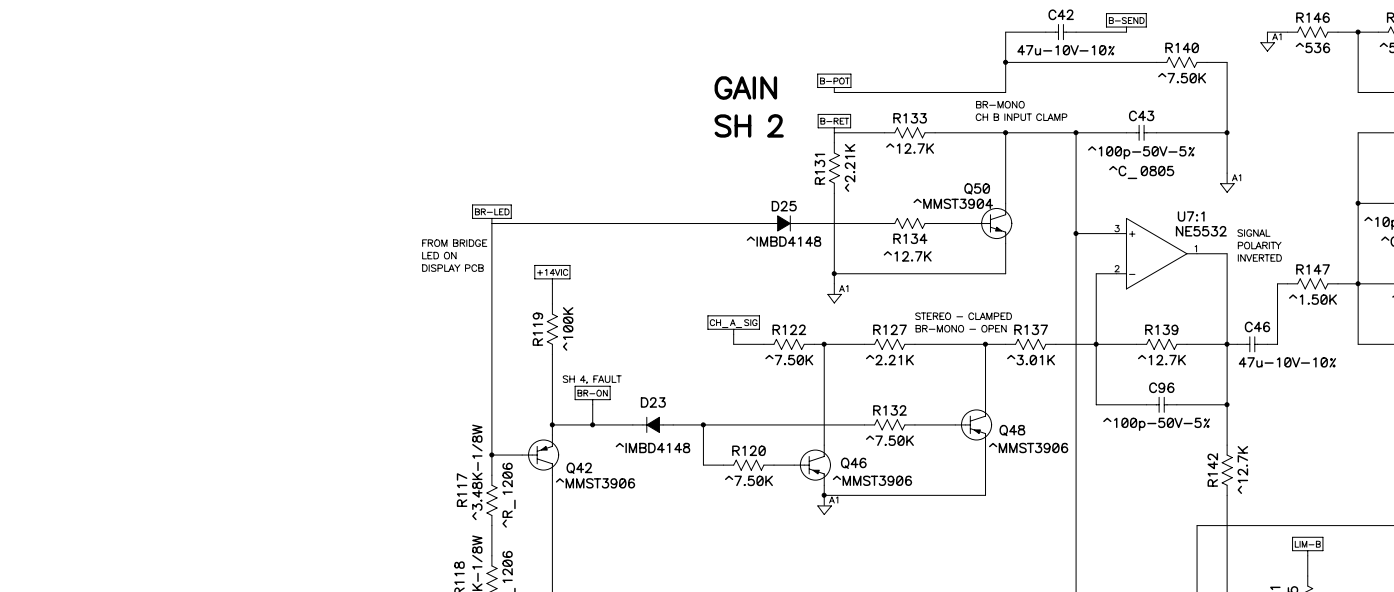
POS OUTPUT SECTION



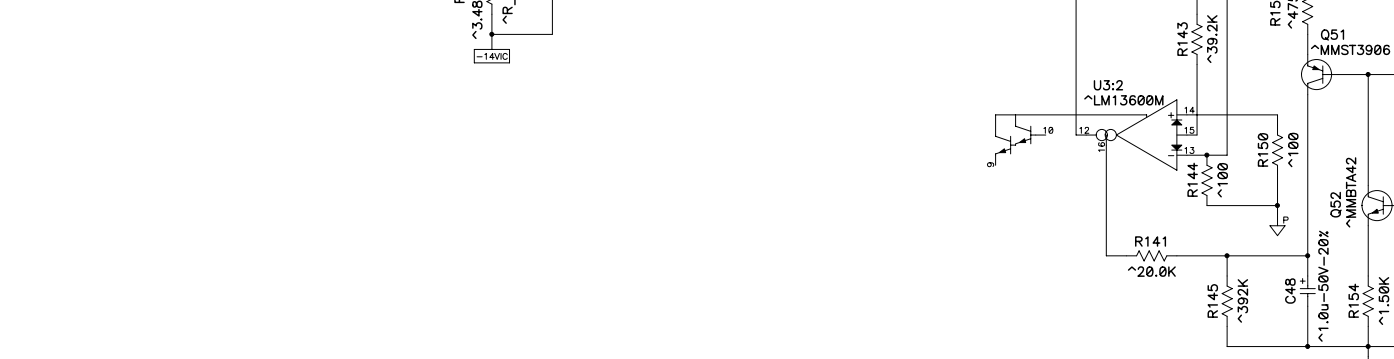
THERMAL AND BIAS SENSING



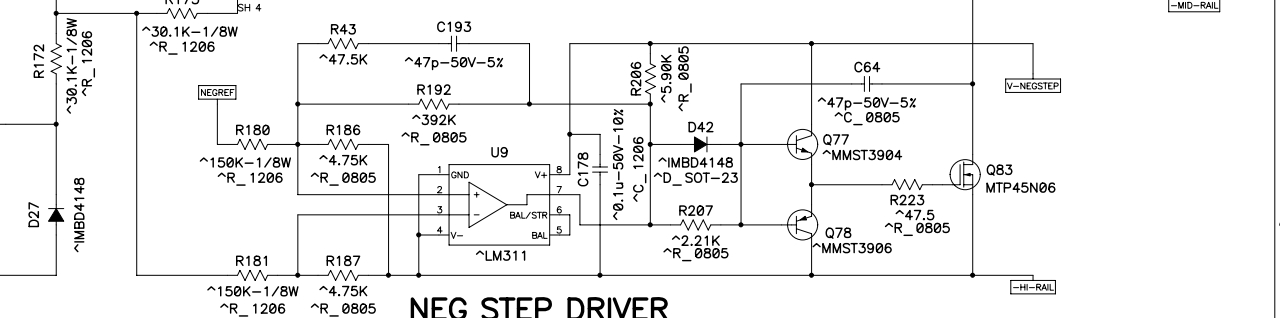
GAIN SH 2



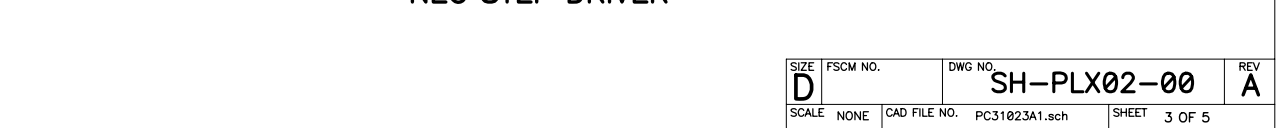
CLIP-LIMIT PROCESSOR



NEG OUTPUT SECTION

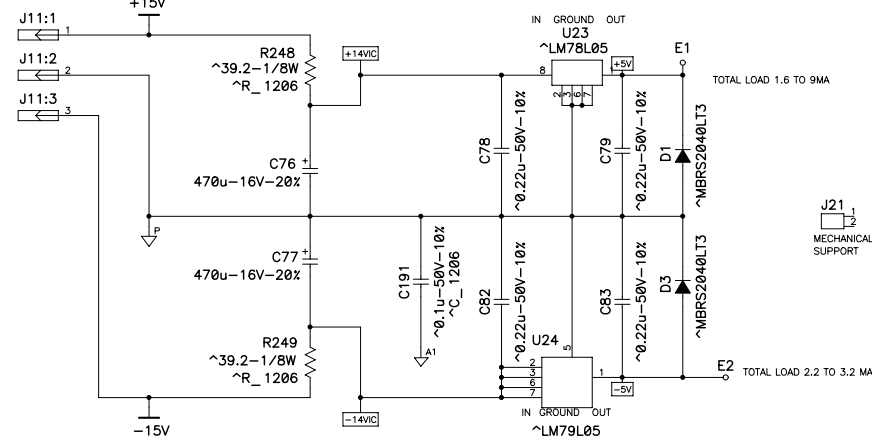


NEG STEP DRIVER

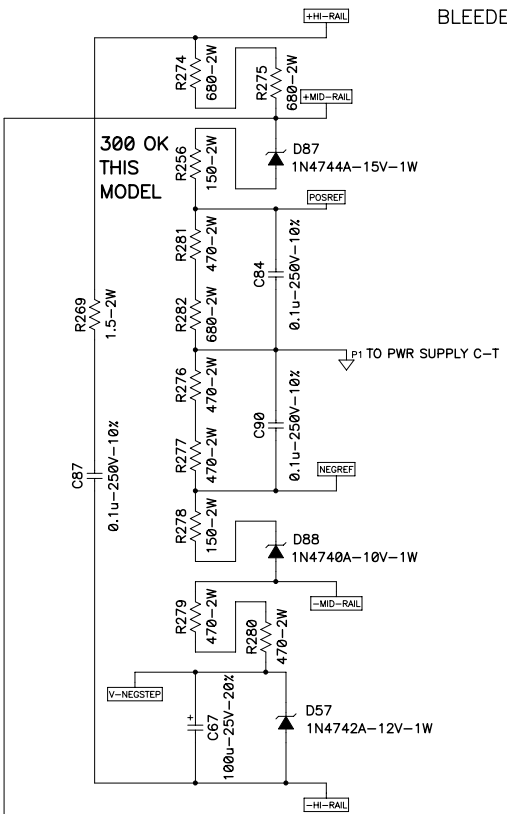


THIS DOCUMENT CONTAINS PROPRIETARY INFORMATION WHICH IS THE PROPERTY OF QSC AUDIO PRODUCTS, THAT MAY NOT BE DISCLOSED, REPRODUCED OR USED WITHOUT EXPRESS WRITTEN CONSENT FROM QSC AUDIO PRODUCTS.

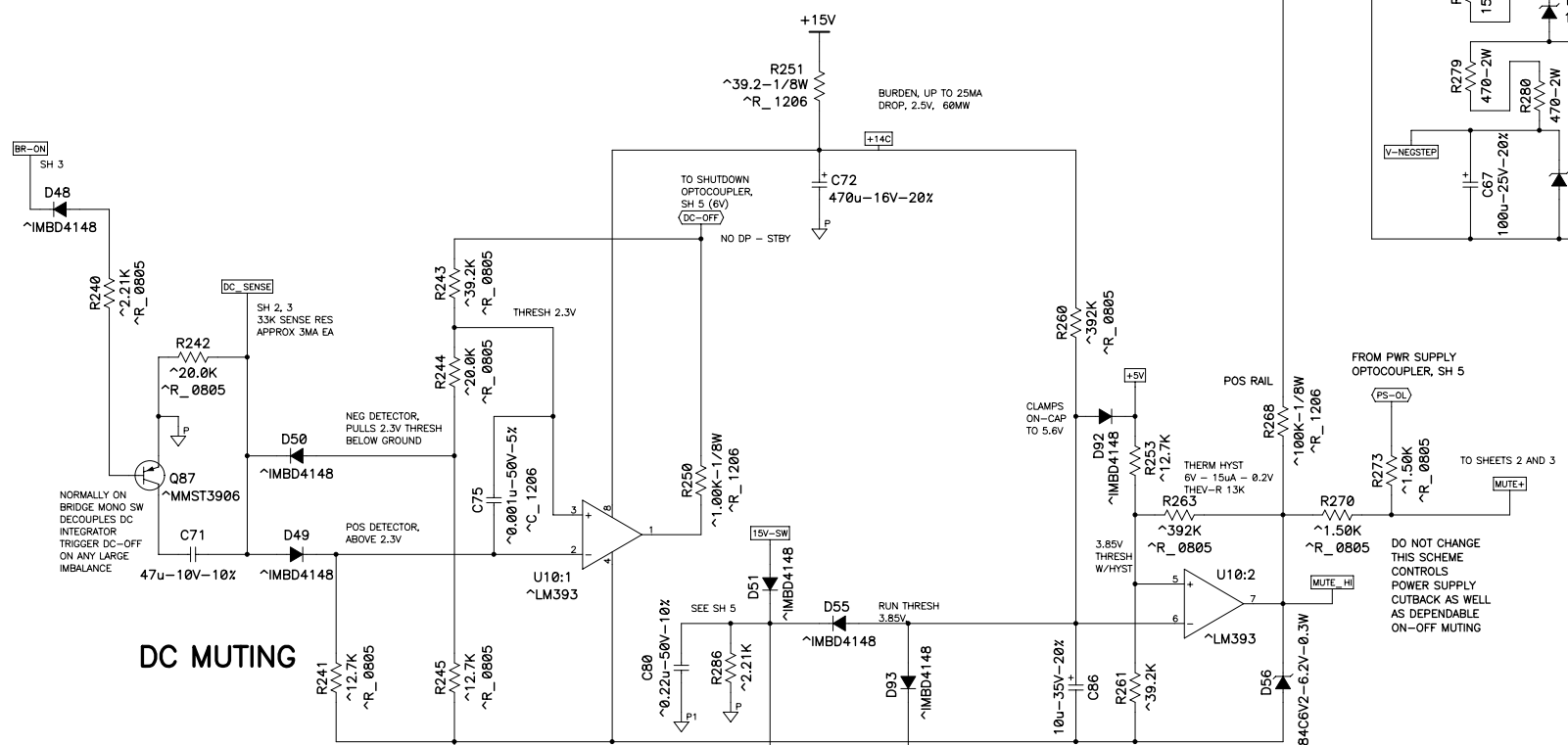
OPAMP POWER SUPPLIES



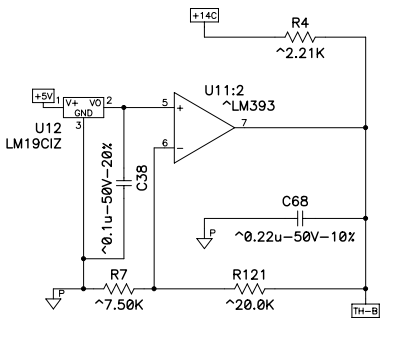
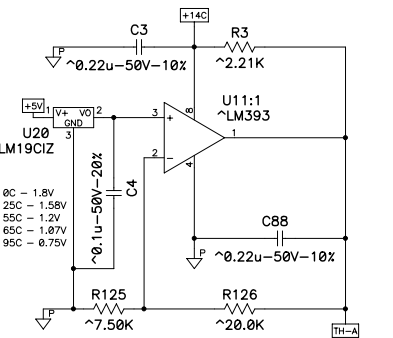
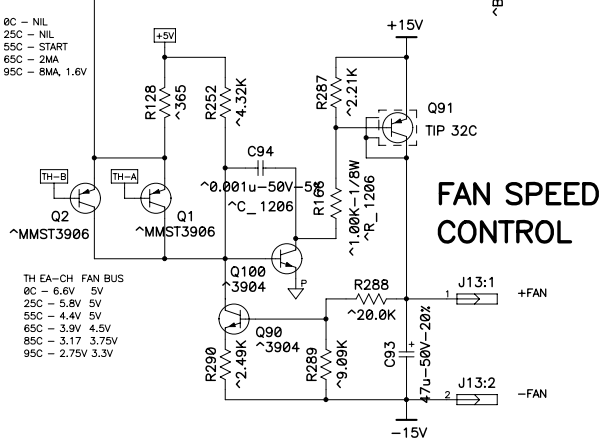
BLEEDER LOAD, 1460R



DC MUTING



FAN SPEED CONTROL



THERMAL SENSORS

THIS DOCUMENT CONTAINS PROPRIETARY INFORMATION WHICH IS THE PROPERTY OF QSC AUDIO PRODUCTS, THAT MAY NOT BE DISCLOSED, REPRODUCED OR USED WITHOUT EXPRESS WRITTEN CONSENT FROM QSC AUDIO PRODUCTS.

