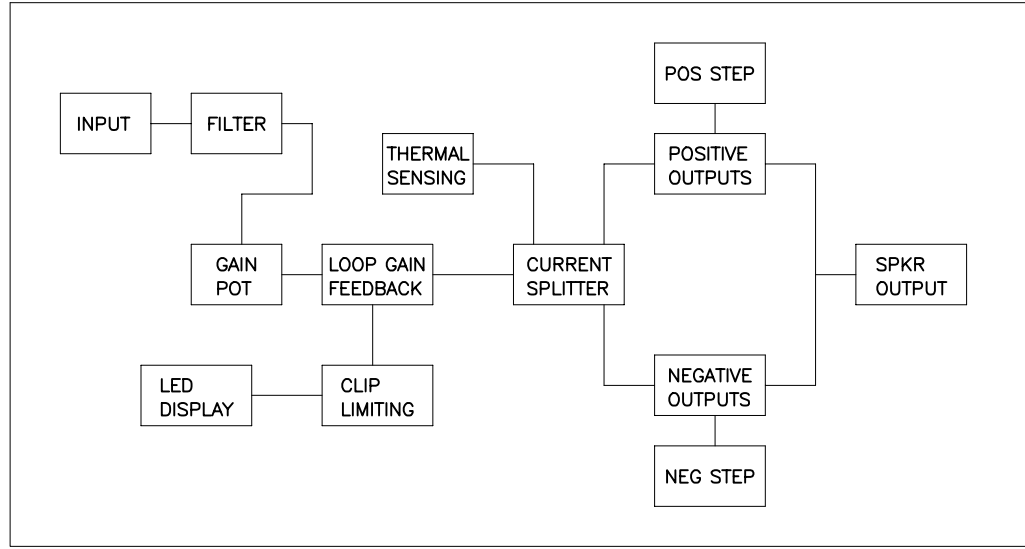
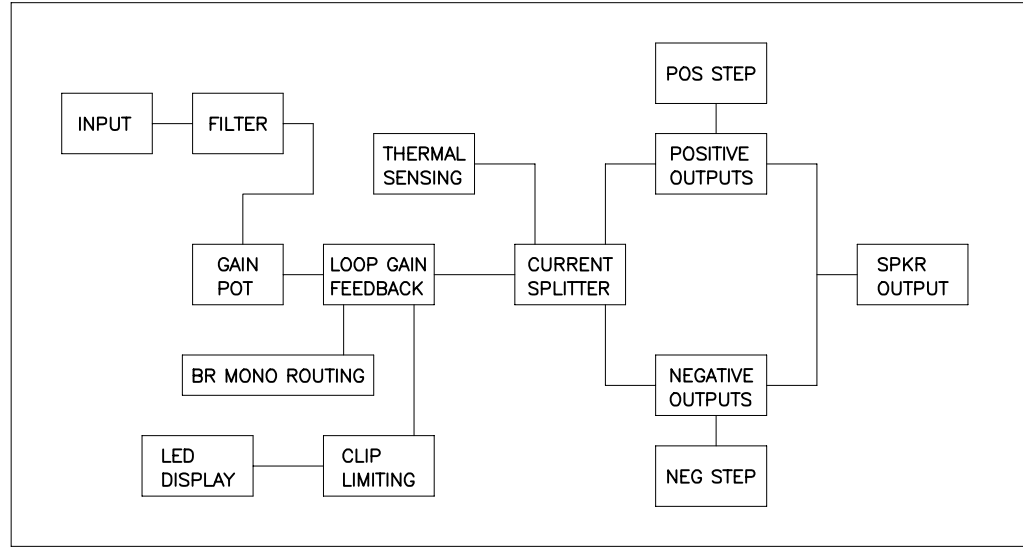


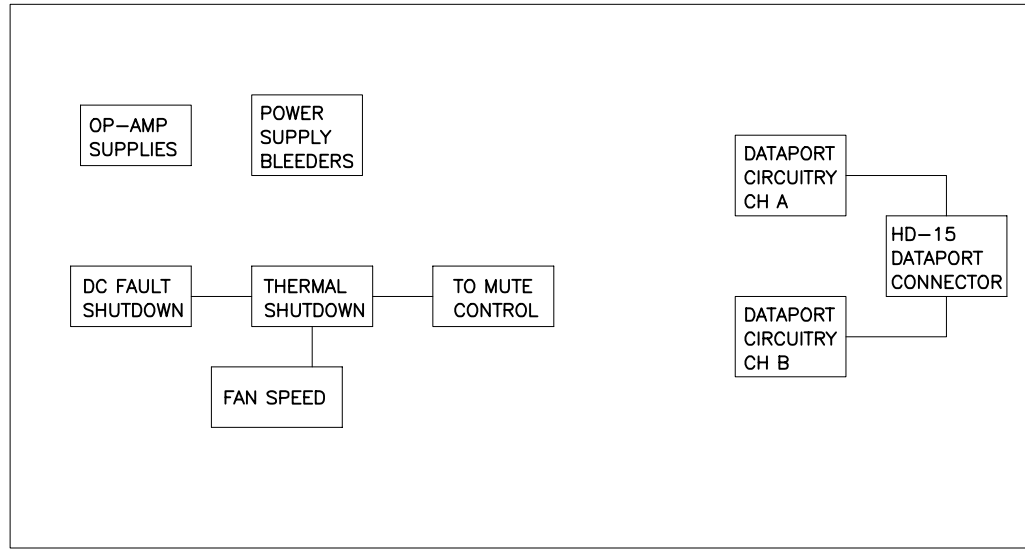
THIS DOCUMENT CONTAINS PROPRIETARY INFORMATION WHICH IS THE PROPERTY OF QSC AUDIO PRODUCTS, THAT MAY NOT BE DISCLOSED, REPRODUCED OR USED WITHOUT EXPRESS WRITTEN CONSENT FROM QSC AUDIO PRODUCTS.



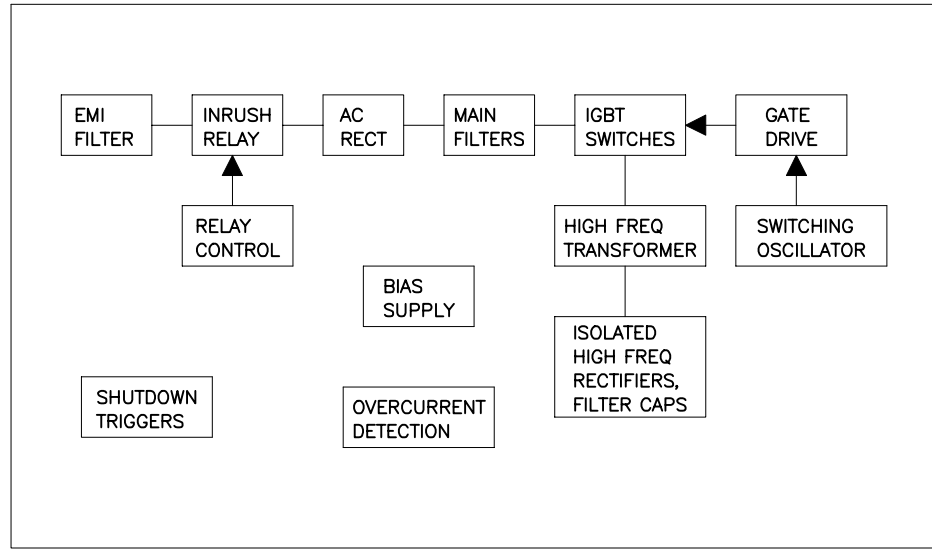
CHANNEL A
AUDIO CIRCUITS
SHEET 2



CHANNEL B
AUDIO CIRCUITS
SHEET 3



SUPPORT,
PROTECTION
AND DATAPORT
CIRCUITS
SHEET 4



SWITCHING
POWER
SUPPLY
SHEET 5

TABULATION BLOCK			
DASH NO.	F1	1	R321, 322, 326, 328 2
-00 (120V)	25A, 125V		487K
-01 (100V)	30A, 125V		392K
-02 (230V)	15A, 250V		487K

QTY	ITEM NO.	PART NO.	DESCRIPTION	VENDOR
PARTS LIST				
UNLESS OTHERWISE SPECIFIED DIMENSIONS ARE IN INCHES. DIMENSIONS PER ANSI Y14.5-1982 TOLERANCES ARE: DECIMALS DECIMALS ANGLES .XX ± .XXX ± ° DEBURR EDGES .XXX R MAX MATERIAL			CONTRACT NO.	
FINISH			APPROVALS	DATE
NEXT ASSY USED ON			DRAWN PAT QUILTER	5-15-98
APPLICATION			CHECKED W. Ruland	3-3-99
DO NOT SCALE DRAWING			ISSUED T. SHOOK	3-15-99
CAD SEED FILE NO.			SIZE D	FSCM NO.
PLOT DATE: Thu Nov 21, 2002			DWG NO. SH-003403-00	REV
SCALE NONE			CAD FILE NO. SH3403-G.sch	SHEET 1 OF 5

QSC AUDIO PRODUCTS, INC.
COSTA MESA, CALIFORNIA

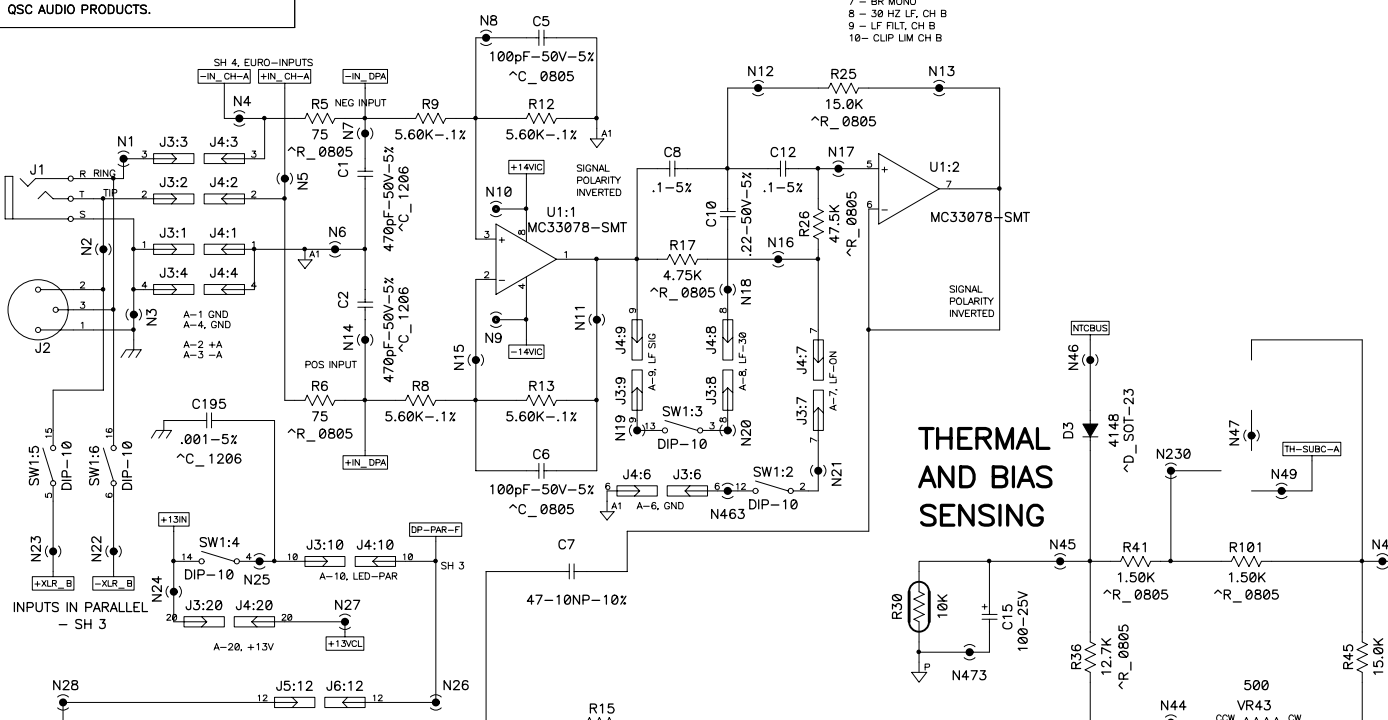
SCHEMATIC DIAGRAM
PLX 3402

2. COMPONENTS WITH VALUE PREFIXED WITH A "*" REPRESENT SMT COMPONENTS.
1. THIS DRAWING USED IN CONJUNCTION WITH ASSEMBLY WP-003403-XX.
NOTES: UNLESS OTHERWISE SPECIFIED

DWG NO. SH-003403-00 REV 1

THIS DOCUMENT CONTAINS PROPRIETARY INFORMATION WHICH IS THE PROPERTY OF QSC AUDIO PRODUCTS, THAT MAY NOT BE DISCLOSED, REPRODUCED OR USED WITHOUT EXPRESS WRITTEN CONSENT FROM QSC AUDIO PRODUCTS.

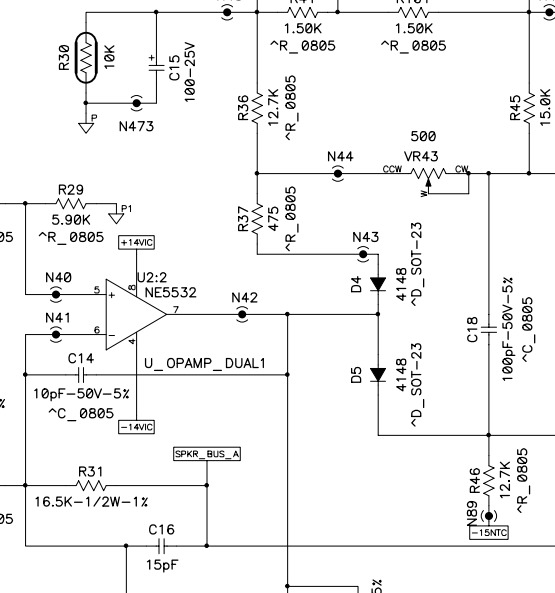
INPUT AND FILTER SECTION, CH A



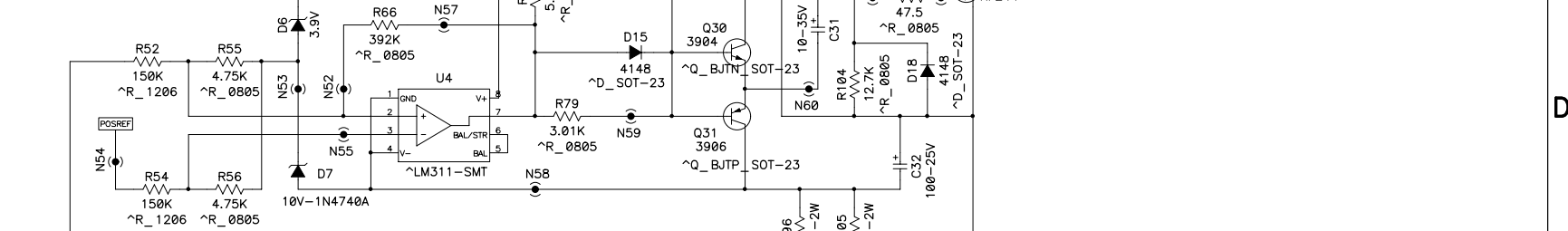
DIP SWITCH TABLE, 10-POS

- 1 - CLIP LIM, CH-A
- 2 - LF FILT, CH-A
- 3 - 30 HZ LF, CH-A
- 4 - PAR INPUT LED
- 5 - PAR INPUTS, +
- 6 - PAR INPUTS, -
- 7 - BR MONO
- 8 - 30 HZ LF, CH B
- 9 - LF FILT, CH B
- 10 - CLIP LIM CH B

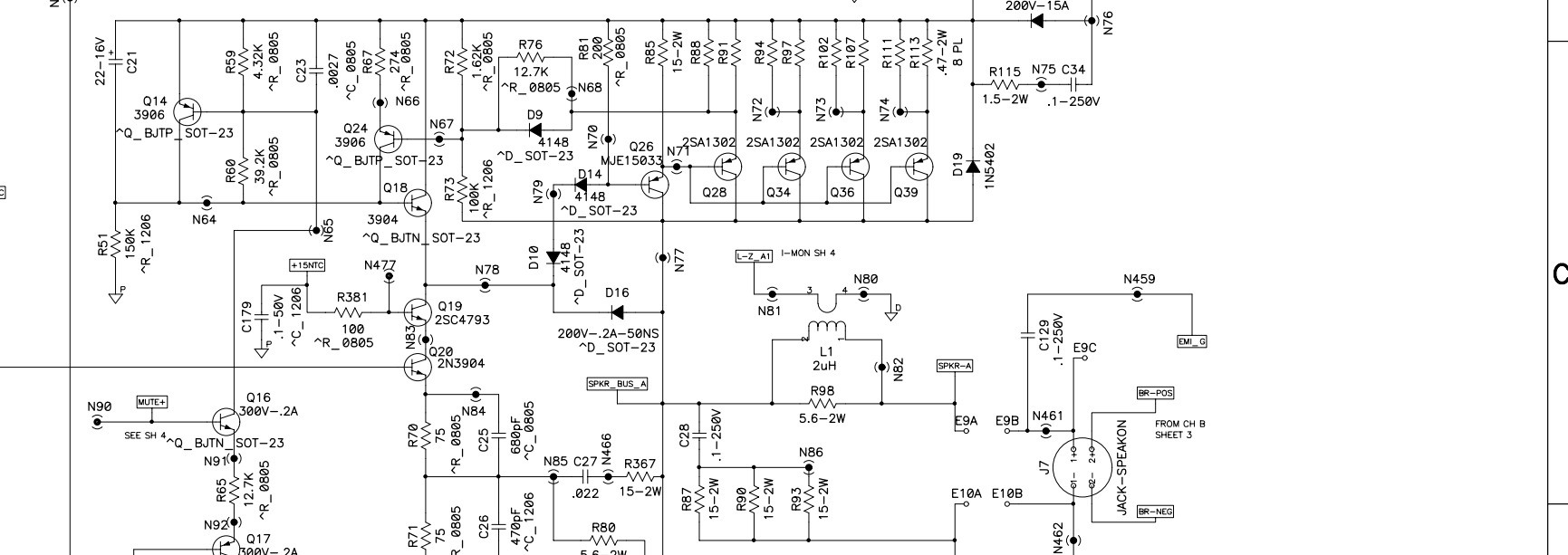
THERMAL AND BIAS SENSING



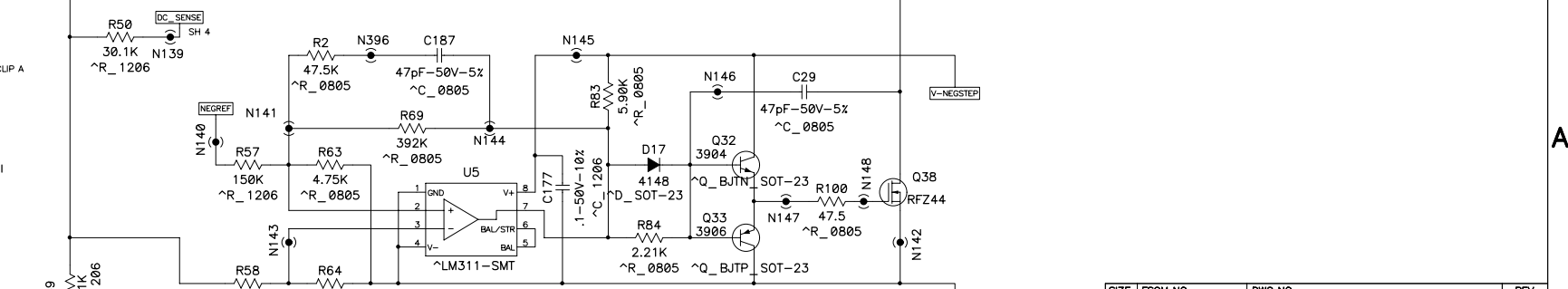
POS STEP DRIVER



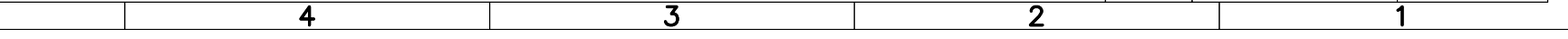
POS OUTPUT SECTION



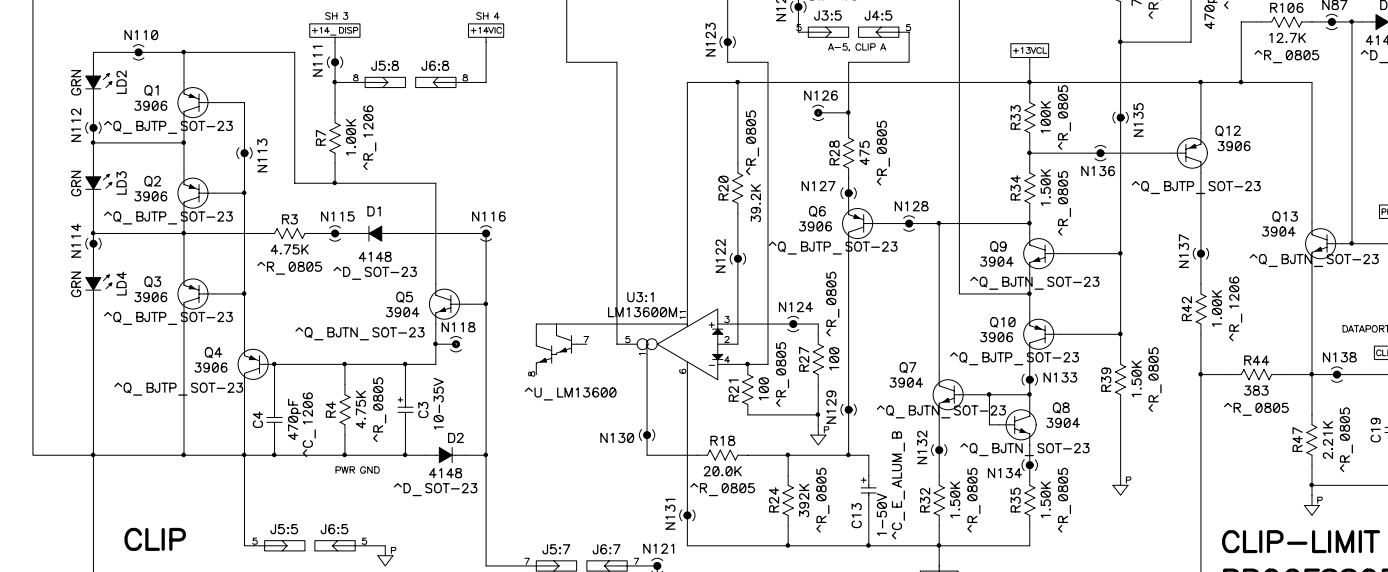
NEG OUTPUT SECTION



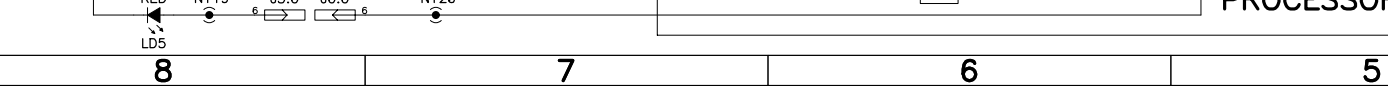
NEG STEP DRIVER



LED-SIGNAL DISPLAY



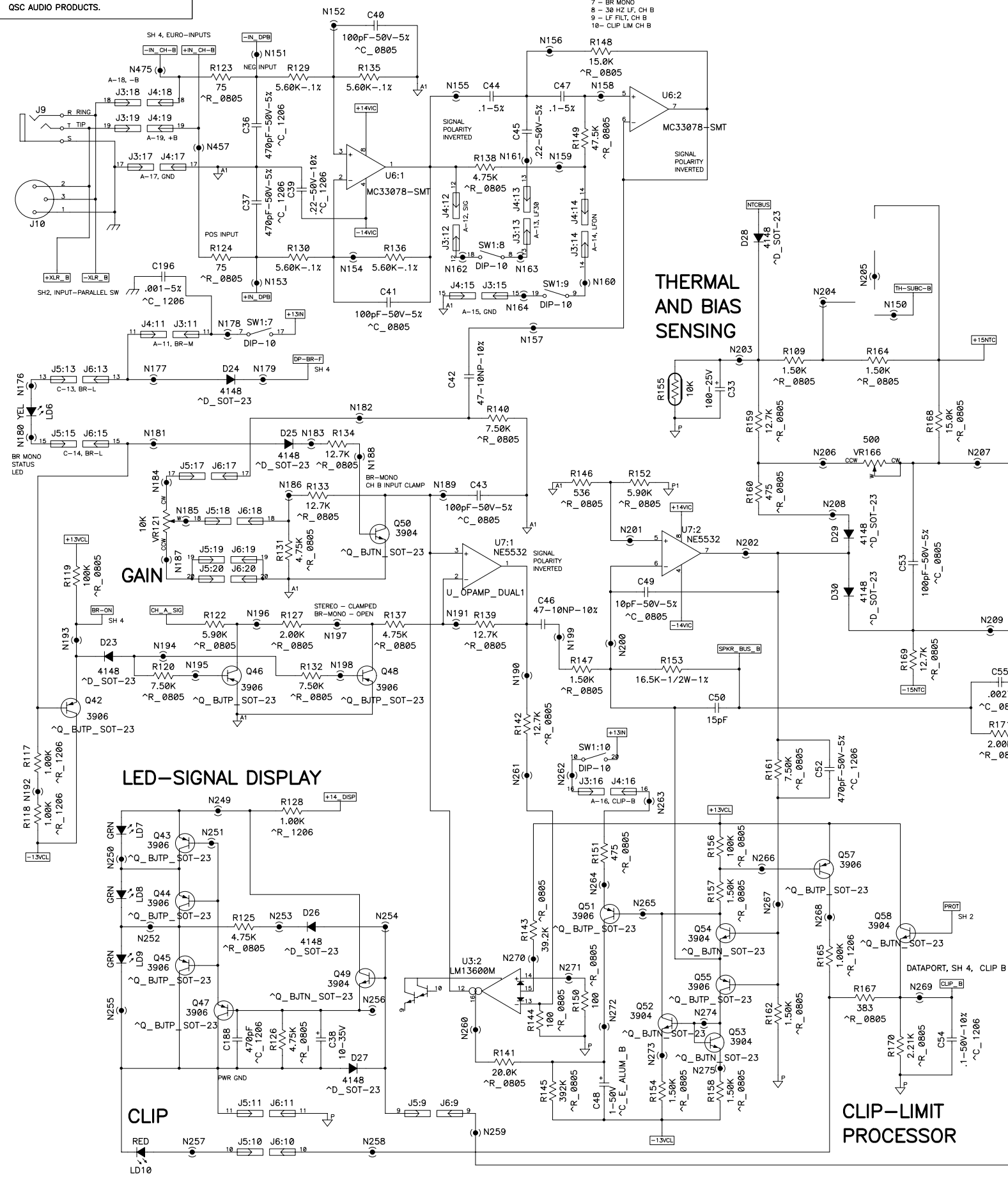
CLIP-LIMIT PROCESSOR



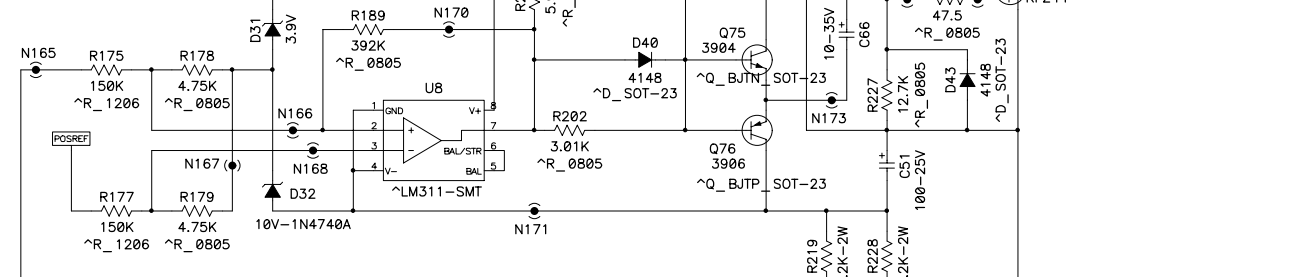
THIS DOCUMENT CONTAINS PROPRIETARY INFORMATION WHICH IS THE PROPERTY OF QSC AUDIO PRODUCTS, THAT MAY NOT BE DISCLOSED, REPRODUCED OR USED WITHOUT EXPRESS WRITTEN CONSENT FROM QSC AUDIO PRODUCTS.

INPUT AND FILTER SECTION, CH B

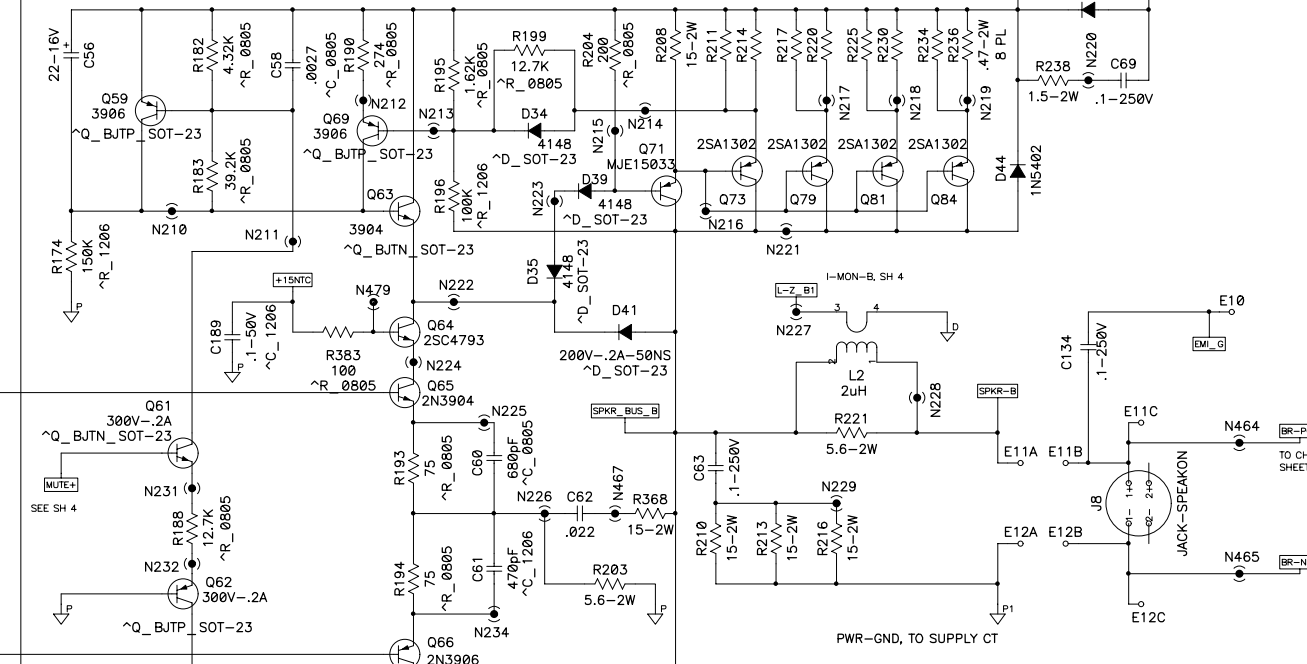
- DIP SWITCH TABLE, 10-POS
- 1 - CLIP LIM, CH-A
 - 2 - LF FILT, CH-A
 - 3 - 30 HZ LF, CH-A
 - 4 - PAR INPUT LED
 - 5 - PAR INPUTS, +
 - 6 - PAR INPUTS, -
 - 7 - BR MONO
 - 8 - 30 HZ LF, CH B
 - 9 - LF FILT, CH B
 - 10 - CLIP LIM CH B



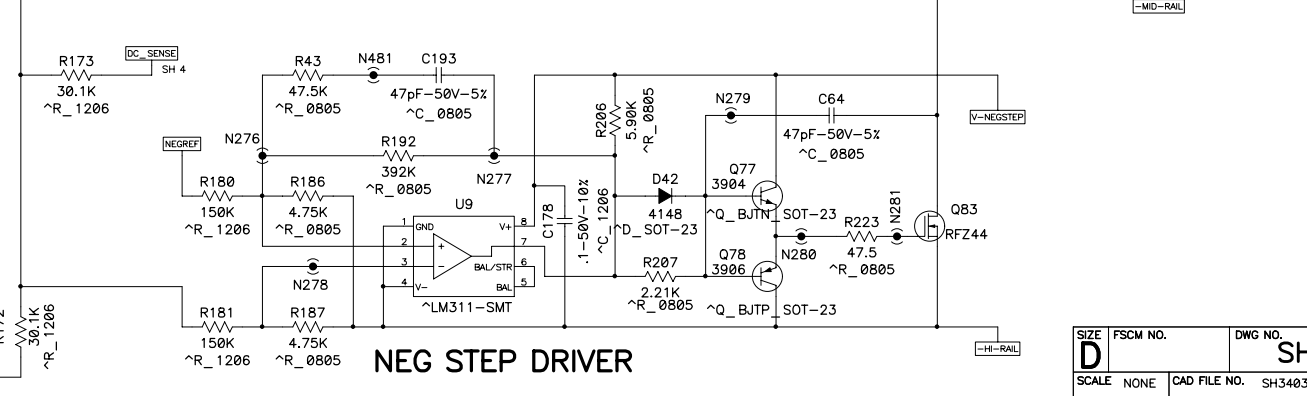
POS STEP DRIVER



POS OUTPUT SECTION

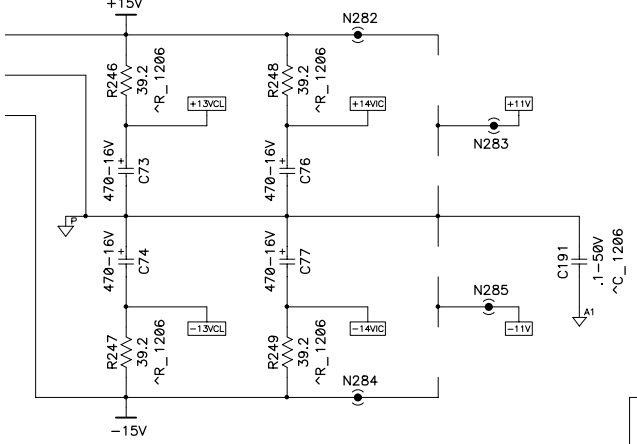


NEG OUTPUT SECTION

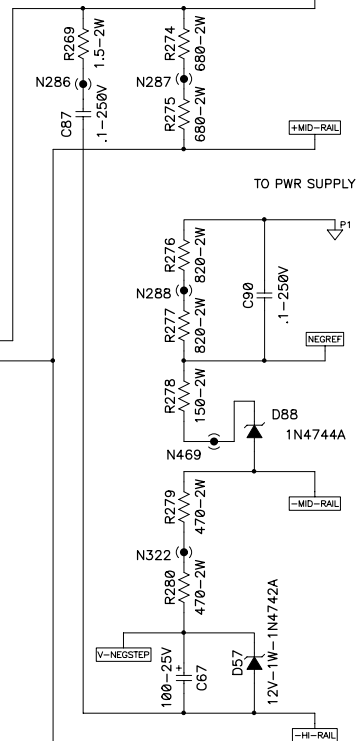


THIS DOCUMENT CONTAINS PROPRIETARY INFORMATION WHICH IS THE PROPERTY OF QSC AUDIO PRODUCTS, THAT MAY NOT BE DISCLOSED, REPRODUCED OR USED WITHOUT EXPRESS WRITTEN CONSENT FROM QSC AUDIO PRODUCTS.

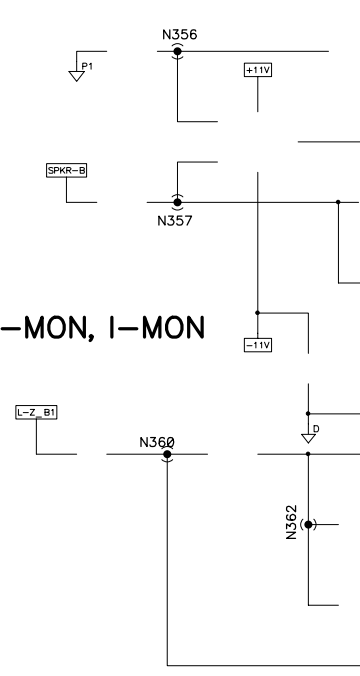
OPAMP POWER SUPPLIES



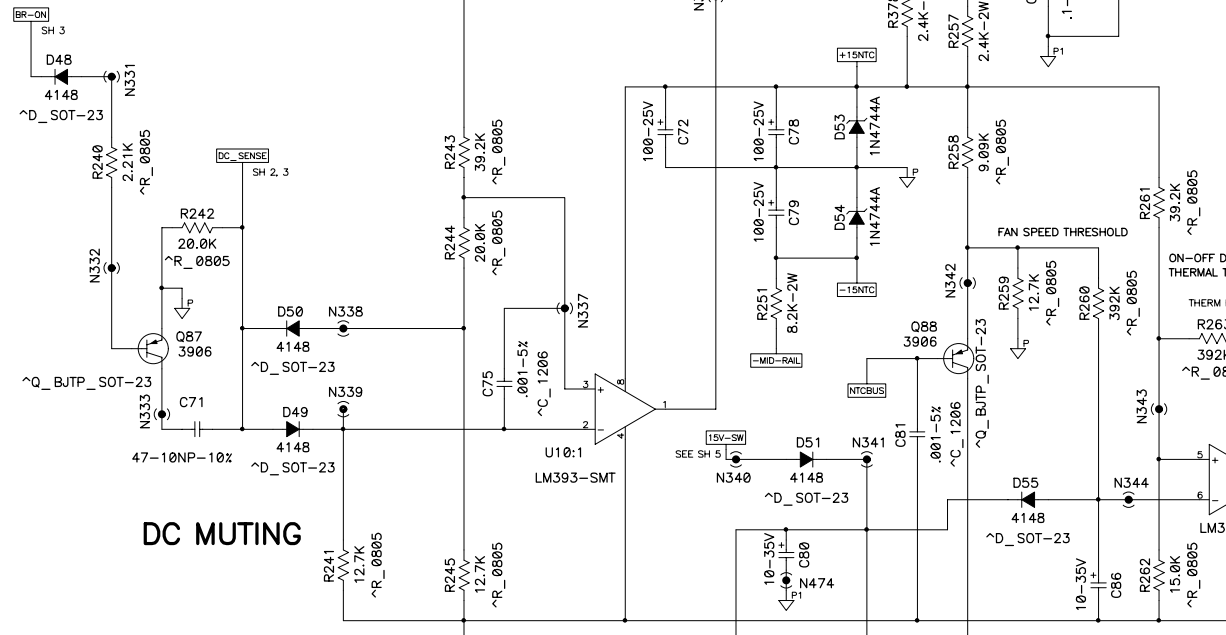
CH A V-MON, I-MON



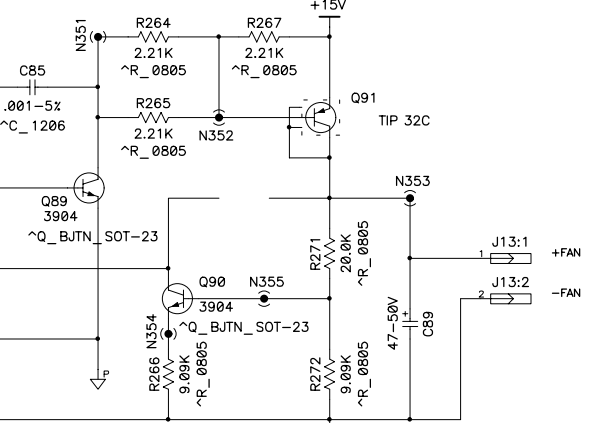
CH B V-MON, I-MON



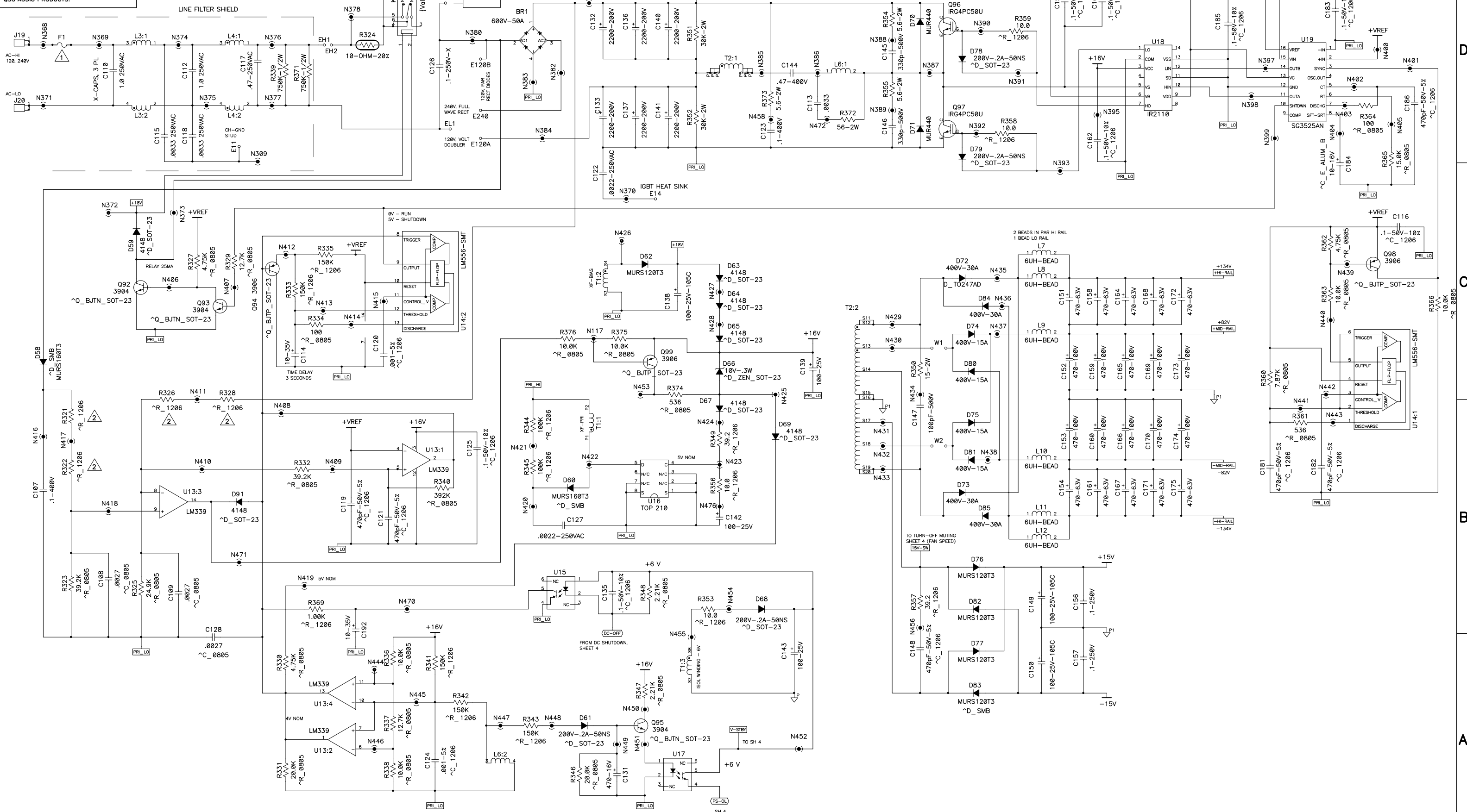
DC MUTING



FAN SPEED CONTROL



THIS DOCUMENT CONTAINS PROPRIETARY INFORMATION WHICH IS THE PROPERTY OF QSC AUDIO PRODUCTS, THAT MAY NOT BE DISCLOSED, REPRODUCED OR USED WITHOUT EXPRESS WRITTEN CONSENT FROM QSC AUDIO PRODUCTS.



PLX 3402 Replacement Parts

QSC part #	Description	Qty.	Notes or Component Reference
Misc.			
CH-000098-00	COVER, PLX	1	
LB-000054-00	LABEL, WARNING, TOP COVER	2	
LB-000209-00	LBL,FCC CLASS B CERTIFICATION	1	
PL-000000-AF	ADHESIVE FEET	4	
PL-000003-CP	AC CORD PROTECTOR	1	
PM-000029-00	INSERT, PLX 2 SP (12F9LU)	2	
PM-001101-00	MX700 SHIPPING CARTON (22C7AB)	1	
PM-001401-00	SHIPPING BAG,SHORT,CHASSIS	1	
PM-100998-PB	BAG,PLASTIC, 3" X 6"	1	
SC-082051-PL	SCREW, TAP, PAN PH#8X5/16" "B" BK	10	
TD-000001-00	EXTENDED SERVICE COVERAGE SHT.	1	
TD-000002-00	EXTENDED SERVICE FORMS-NCR	1	
TD-000072-00	OWNERS MANUAL, PLX SERIES	1	
TD-000900-AX	GENERIC WARRANTY CARD	1	
WC-000054-00	CORDSET 3-COND 220-230 VAC 10A	1	(230V models)
WC-000139-00	CORD SET 3 COND 15A 125VAC	1	(100V and 120V models)
WP-003402-00	CHASSIS ASSY PLX 3402 (120V)	1	(120V models)
WP-003402-01	CHASSIS ASSY PLX 3402 (100V)	1	(100V models)
WP-003402-02	CHASSIS ASSY PLX 3402 (230V)	1	(230V models)
Chassis Assembly			
CH-000097-00	CHASSIS, PLX	1	
CH-000100-00	HANDLE-EAR CASTING PLX	2	
CH-000112-00	SHIELD, AC, PLX	1	
CO-000169-00	CONN IEC AC INLET	1	
HW-060090-SO	#6-32 X 9/16" HEX STANDOFF	2	
LB-000052-00	LABEL, UL/cUL APPROVAL	1	(120V models)
LB-000053-00	LBL, FRENCH, FUSE REPLACEMENT	1	
LB-000077-00	LABEL,WARNING,HIGH ENERGY	1	
LB-000099-01	LABEL, CE LISTING	1	(230V models)
LB-000215-00	LABEL, INPUT/OUTPUT, PLX	1	
LB-000277-00	LABEL, FACEPLATE, PLX 3402	1	
LB-160226-05	LABEL, FUSE, UL CAUT. 25A 125V	1	
NW-380801-IL	3/8" INTERNAL TOOTH LOCKWASHER	2	
PL-000040-PL	POT COVERS	2	
PL-000054-00	KNOB FAB.	2	
PL-000066-00	CLIP XMAS-TREE SLG HEAD FASTEX	2	
PL-000095-00	FAN INTERFACE PLX	1	
PL-000096-00	INSULATOR,FAN DUCT, PLX	1	
SC-025000-PP	SCREW M2.5 X 6MM TYPE 1 PH BLK	4	
SC-060042-PP	#6-32 X 1/4" P/P BLACK,SEMS,IT	2	
SC-060060-PS	SCREW 6-32 X .375 SEMS EXTL ZC	3	
SC-082051-PL	SCREW,TAP,PAN PH#8X5/16" "B" BK	14	
SW-000016-SW	SPST SNAP IN POWER SWITCH	1	
WC-000138-00	CABLE ASSY AC DCA/CX	1	
WP-000057-00	FAN ASSY, 3.15" 24VDC W/5.5L"	1	
WP-003403-00	PCB ASSY, PLX 3402 (120V)	1	(120V models)
WP-003403-01	PCB ASSY, PLX 3402 (100V)	1	(100V models)
WP-003403-02	PCB ASSY, PLX 3402 (230V)	1	(230V models)
PCB Assembly			
CA-010002-30	CAP 10PF 5% 50V 0805 SMT	2	C14, C49
CA-015001-10	CAP CER 15PF 10% 100V NPO	2	C16, C50
CA-047002-30	CAP CER 47PF 5% 50V NPO SMT	6	C29, C30, C64, C65, C187, C193
CA-110001-10	CAP SM 100PF, 5%, 500V	1	C147
CA-110002-30	CAP CER 100PF 5% 50V NPO SMT	8	C5, C6, C9, C18, C40, C41, C43, C53
CA-133001-10	CAP SM 330PF 5% 500V	2	C145, C146
CA-147003-30	CAP 470PF 5% 50V 1206 SMT	16	C1, C2, C4, C17, C26, C36, C37, C52, C61, C119, C121, C148, C181, C182, C186, C188

CA-168003-30	CAP CER 680PF 5% 50V NPO SMT	2	C25, C60
CA-210005-30	CAP .001UF 5% 50V 1206 SMT	7	C75, C81, C85, C120, C124, C195, C196
CA-222001-00	CAP CER Y .0022UF 20% 125VAC	2	C122, C127
CA-227001-30	CAP CER .0027UF 10% 100V 0805	9	C20, C23, C24, C55, C58, C59, C108, C109, C128
CA-233001-10	CAP MYLAR .0033UF 10% 100V	1	C113
CA-233002-00	CAP CER Y .0033UF 20% 125VAC	2	C115, C118
CA-322001-10	CAP MYLAR .022UF 10% 100V	2	C27, C62
CA-410001-00	CAP MET POLY X.1UF 20% 250VAC	1	C126
CA-410002-10	CAP MYLAR .1UF 5% 100V	4	C8, C12, C44, C47
CA-410003-10	CAP MET POLY .1UF 10% 250V	13	C28, C34, C35, C63, C69, C70, C84, C87, C90, C129,134, C156, C157
CA-410006-30	CAP CER .1UF 10% 50V X7R SMT	17	C19, C54, C116, C125, C135, C155, C162, C163, C177–C180, C183, C185, C189–C191
CA-410011-00	CAP MMYL .1UF 10% 400V	2	C107, C123
CA-422001-10	CAP MYLAR .22UF 5% 50V	2	C10, C45
CA-422004-30	CAP CER .22UF 10% 50V X7R SMT	1	C39
CA-447001-00	CAP MET POLY X.47UF 20% 250VAC	1	C117
CA-447003-00	CAP POLYP .47UF 10% 400V	1	C144
CA-510005-30	CAP LYTIC 1UF 20% 50V SMT	2	C13, C48
CA-510006-00	CAP MPOLY X 1UF 20% 250VAC	2	C110,112
CA-610002-10	10UF,35V,20%,RADIAL ELECT	8	C3, C31, C38, C66, C80, C86, C114, C192
CA-610006-30	CAP LYTIC 10UF 20% 16V SMT	1	C184
CA-622006-10	CAP LYTIC RL 22UF 20% 16V	4	C21, C22, C56, C57
CA-647001-10	CAP LYTIC RL 47UF 10% 10V NP	5	C7, C11, C42, C46, C71
CA-647002-10	CAP LYTIC RL 47UF 20% 50V	1	C89
CA-710002-10	CAP LYTIC RL 100UF 20% 25V	11	C15, C32, C33, C51, C67, C72, C78, C79, C139, C142, C143
CA-710004-10	CAP LYTIC RL 100UF 20% 25V	3	C138, C149, C150
CA-747001-10	CAP LYTIC RL 470UF 20% 16V	5	C73, C74, C76, C77, C131
CA-747004-00	CAP LYTIC RL 470UF 20% 100V	10	C152, C153, C159, C160, C165, C166, C169, C170, C173, C174
CA-747063-AE	CAP LYTIC RL 470UF 20% 63V	10	C151, C154, C158, C161, C164, C167, C168, C171, C172, C175
CA-822200-AE	CAP LYTIC RL 2200UF 20% 200V	6	C132, C133, C136, C137, C140, C141
CH-000102-00	HEATSINK, AUDIO, PLX	4	
CH-000103-00	SPRING, CLAMP, 2 HOLE	9	
CH-000104-00	HEATSINK PS PLX	2	
CH-000114-00	CLAMP, 2 FINGER PLX	4	
CO-000009-ZT	Z-TAB ON TAPE AND REEL	3	J19–J21
CO-000036-CO	SPEAKONS, PC MOUNT	2	J7, J8
CO-000148-00	CONN XLR F VERT PCB	2	J2, J10
CO-000155-00	HEADER PCB .100 2-POSITION	1	J13
CO-300112-PJ	JACK 1/4" PHONE DBLOPEN CKT PC	2	J1, J9
HW-000001-FC	FUSE CLIPS	2	REF:F1
IC-000024-00	IC REG PWM 40V 0.1A SG3525A	1	U19
IC-000047-30	IC LIN DUAL COMP LM393 SO-8	1	U10
IC-000048-30	IC LIN DUAL OP AMP MC33078	2	U1, U6
IC-000051-00	IC OPTO-ISO TCDT1101	2	U15, U17
IC-000053-30	IC LIN SMT DUAL TIMER LM556	1	U14
IC-000054-30	IC LIN SMT QUAD COMP LM339AM	1	U13
IC-000073-30	IC LIN DUAL OP AMP LM13600	1	U3
IC-000133-30	IC LIN COMP LM311	4	U4, U5, U8, U9
IC-000134-00	IC CMOS HV DRV IR2110	1	U18
IC-000135-00	IC LIN PWM SWITCH TOP 210	1	U16
IC-005532-OP	IC LIN DUAL OP AMP 5532 EX/MPA	2	U2, U7
MS-000048-HS	HEAT SINK, ISOL TO-220	1	REF: Q91
MS-000112-00	FUSE 25A 125V 3AG FAST CER	1	F1
PA-000043-00	PLATE ASSEMBLY, PLX	1	
PC-003023-00	PCB, PLC, 2CH	1	
PL-000098-00	INSULATOR, TO-220, PLX	4	
PL-000114-00	INSULATOR, IGBT/RECT HS, PLX	2	
PL-000117-00	INSULATOR, TO-247, PLX	1	
PL-000126-00	SPRING, SEAT, PLX	9	
PL-000128-00	SPACER, LED, .276"	2	REF: R30, R155
PL-000135-00	INSULATOR, MICA 1.25" X 1.75"	1	REF: Q96, Q97
PL-000138-00	SPACER LED T-1 .52"L	11	LD1–LD11
PL-905156-SP	SPACER,ROUND,NYLON,#6,0.155"L	4	REF: L1, L2

PT-150000-AT	RES VAR IT 500 20% 0.15W CARB	2	VR43, VR166
PT-310000-CR	RES VAR IT 10K 20% 0.2W W/DET	2	VR2, VR121
QD-000014-QD	DIODE TO220 ULTRAFAST 200V 15A	4	D21, D22, D46, D47
QD-000021-QD	1N4740 10V ZENER 1W	2	D7, D32
QD-000031-QD	FET NCHAN TO220 60V 50A	4	Q38, Q41, Q83, Q86
QD-000042-00	DIODE RECT ULTRAFAST 400V 3A	2	D70, D71
QD-000052-00	LED GRN T-1	7	LD2, LD3, LD4, LD7, LD8, LD9, LD11
QD-000053-00	LED YEL T-1	2	LD1, LD6
QD-000054-00	LED RED T-1	2	LD5, LD10
QD-000062-10	XISTOR NPN TO-92 40V 0.2A 1.5W	2	Q20, Q65
QD-000063-10	XISTOR PNP TO-92 40V 0.2A 1.5W	2	Q21, Q66
QD-000074-00	DIODE RECT TO220 UFAST 400V	4	D74, D75, D80, D81
QD-000076-00	XISTOR NPN TO-220 250V	2	Q27, Q72
QD-000077-00	XISTOR PNP TO-220 250V	2	Q26, Q71
QD-000102-30	DIODE SW 1N4148 SMT 75V 75MA	45	D1-D5, D8-D12, D14, D15, D17, D18, D23-D30, D33-D37, D39, D40, D42, D43, D48-D51, D55, D59, D63-D65, D67, D69, D89, D90, D91
QD-000103-30	XISTOR NPN SMT 40V .2A .2W	26	Q5, Q7-Q9, Q13, Q15, Q18, Q25, Q30, Q32, Q49, Q50, Q52-Q54, Q58, Q60, Q63, Q70, Q75, Q77, Q89, Q90, Q92, Q93, Q95
QD-000104-30	XISTOR PNP SMT 40V .2A .2W	32	Q1-Q4, Q6, Q10, Q12, Q14, Q23, Q24, Q31, Q33, Q42-Q48, Q51, Q55, Q57, Q59, Q68, Q69, Q76, Q78, Q87, Q88, Q94, Q98, Q99
QD-000105-30	XISTOR NPN SMT 300V .2A .2W	2	Q16, Q61
QD-000106-30	XISTOR PNP SMT 300V .2A .2W	2	Q17, Q62
QD-000108-30	DIODE SMT SWITCH 200V .2A 50NS	8	D13, D16, D38, D41, D61, D68, D78, D79
QD-000110-30	DIODE ZNR 6.2V 5% .3W SMT	1	D56
QD-000113-30	DIODE ZNR 10V 5% .3W SMT	1	D66
QD-000115-30	DIODE SMT RECT 600V 1A	3	D58, D60, D86
QD-000116-30	DIODE RECT SMT 200V 1A	5	D62, D76, D77, D82, D83
QD-000152-10	DIODE ZNR 12V 5% 1W 1N4742A	1	D57
QD-000153-00	DIOD RECT TO247 UFAST 400V 30A	4	D72, D73, D84, D85
QD-000154-00	XISTOR NPN TO-220 230V	2	Q19, Q64
QD-000155-00	XISTOR PNP TO-220 230V	2	Q22, Q67
QD-000156-00	XISTOR PNP TO-220 100V 3A 40W	1	Q91
QD-000169-00	XISTOR IGBT TO-247AC 600V 55A	2	Q96, Q97
QD-000170-00	DIODE BRIDGE RECT 600V 50A	1	BR1
QD-0003.9-ZT	DIODE ZNR 3.9V TESTED	2	D6, D31
QD-001302-PN	XISTOR PNP TO-3P 200V 15A	8	Q28, Q34, Q36, Q39, Q73, Q79, Q81, Q84
QD-003281-NP	XISTOR NPN TO-3P 200V 15A	8	Q29, Q35, Q37, Q40, Q74, Q80, Q82, Q85
QD-004744-ZA	DIODE ZNR 15V 5% 1W 1N4744A	4	D53, D54, D87, D88
QD-005402-DX	DIODE RECT DO27 200V 3A	4	D19, D20, D44, D45
RE-.04703-10	RES MOFP .47 5% 2W MINI	32	R88, R89, R91, R92, R94, R95, R97, R99, R102, R103, R107, R108, R111-R114, R211, R212, R214, R215, R217, R218, R220, R222, R225, R226, R230, R231, R234-R237
RE-.15002-10	RES MOFP 1.5 5% 2W MINI	5	R115, R116, R238, R239, R269
RE-.56002-10	RES MOFP 5.6 5% 2W MINI	7	R80, R98, R203, R221, R354, R355, R373
RE-000210-NR	THERMISTOR NTC 15A CUR LIM	1	R324
RE-000230-NR	THERMISTOR NTC 10K 5%	2	R30, R155
RE-001003-30	RES SMT 10 OHM 5% 1/8W 1206	4	R353, R356, R358, R359
RE-001502-10	RES MOFP 15 5% 2W MINI	13	R85-R87, R90, R93, R208, R209, R210, R213, R216, R350, R367, R368
RE-003921-30	RES SMT 39.2 OHM 1% 1/8W 1206	6	R246-R249, R349, R357
RE-004752-30	RES SMT 47.5 1% 1/10W 100V	4	R100, R110, R223, R233
RE-005606-10	RES MOFP 56 5% 2W MINI	1	R372
RE-007502-30	RES SMT 75 1% 1/10W 100V	8	R5, R6, R70, R71, R123, R124, R193, R194
RE-010002-30	RES SMT 100 1% 1/10W 100V	10	R21, R27, R144, R150, R334, R364, R381-R384
RE-015004-10	RES MOFP 150 5% 2W MINI	1	R278
RE-020002-30	RES SMT 200 1% 1/10W 100V	4	R81, R82, R204, R205
RE-027401-30	RES SMT 274 1% 1/10W 100V	4	R67, R68, R190, R191
RE-030002-10	RES MOFP 300 5% 2W MINI	1	R256
RE-038301-30	RES SMT 383 1% 1/10W 100V	2	R44, R167
RE-047002-00	RES MOFP 470 5% 2W	2	R279, R280
RE-047502-30	RES SMT 475 1% 1/10W 100V	4	R28, R37, R151, R160
RE-053602-30	RES SMT 536 1% 1/10W 100V	4	R22, R146, R361, R374

RE-063402-30	RES SMT 634 1% 1/8W 1206	1	R370
RE-068001-10	RES MOFP 680 5% 2W MINI	2	R274, R275
RE-082002-00	RES MOFP 820 5% 2W	2	R276, R277
RE-110006-30	RES SMT 1.00K 1% 1/8W 1206	11	R1, R7, R42, R117, R118, R128, R165, R232, R250, R252, R369
RE-115002-30	RES SMT 1.50K 1% 1/10W 100V	16	R23, R32, R34, R35, R39, R41, R101, R109, R147, R154, R157, R158, R162, R164, R270, R273
RE-116202-30	RES SMT 1.62K 1% 1/10W 100V	4	R72, R75, R195, R198
RE-120002-30	RES SMT 2.00K 1% 1/10W 100V	3	R48, R127, R171
RE-122103-30	RES SMT 2.21K 1% 1/10W 100V	10	R47, R84, R170, R207, R240, R264, R265, R267, R347, R348,
RE-124005-EM	RES MOFP 2.4K 5% 2W	2	R257, R378
RE-130102-30	RES SMT 3.01K 1% 1/10W 100V	2	R79, R202
RE-143201-30	RES SMT 4.32K 1% 1/10W 100V	4	R59, R62, R182, R185
RE-147502-30	RES SMT 4.75K 1% 1/10W 100V	22	R3, R4, R10, R11, R17, R55, R56, R63, R64, R125, R126, R131, R137, R138, R178, R179, R186, R187, R253, R327, R330, R362
RE-156001-10	RES 5.60K .1% 1/4W 25PPM	8	R8, R9, R12, R13, R129, R130, R135, R136
RE-159002-30	RES SMT 5.90K 1% 1/10W 100V	7	R29, R78, R83, R122, R152, R201, R206
RE-175002-30	RES SMT 7.50K 1% 1/10W 100V	6	R15, R38, R120, R132, R140, R161
RE-178701-30	RES SMT 7.87K 1% 1/10W 100V	1	R360
RE-182001-10	RES MOFP 8.2K 5% 2W MINI	5	R219, R228,
RE-182001-10	RES MOFP 8.2K 5% 2W MINI	5	R96, R105, R251
RE-190902-30	RES SMT 9.09K 1% 1/10W 100V	3	R258, R266, R272
RE-210003-30	RES SMT 10.0K 1% 1/10W 100V	6	R336, R338, R363, R366, 375, R376
RE-212702-30	RES SMT 12.7K 1% 1/10W 100V	25	R14, R16, R19, R36, R46, R65, R76, R77, R104, R106, R133, R134, R139, R142, R159, R169, R188, R199, R200, R227, R241, R245, R259, R329, R337
RE-215002-30	RES SMT 15.0K 1% 1/10W 100V	6	R25, R45, R148, R168, R262, R365
RE-216501-CM	RES MF 16.5K 1% 1/2W	2	R31, R153
RE-220002-30	RES SMT 20.0K 1% 1/10W 100V	8	R18, R141, R229, R242, R244, R271, R331, R346
RE-224901-30	RES SMT 24.9K 1% 1/10W 100V	1	R325
RE-230002-10	RES MOFP 30K 5% 2W MINI	2	R351, R352
RE-230102-30	RES SMT 30.1K 1% 1/8W 1206	4	R49, R50, R172, R173
RE-239202-30	RES SMT 39.2K 1% 1/10W 100V	10	R20, R60, R61, R143, R183, R184, R243, R261, R323, R332
RE-247503-30	RES SMT 47.5K 1% 1/10W 100V	4	R2, R26, R43, R149
RE-310002-30	RES SMT 100K 1% 1/10W 100V	3	R33, R119, R156
RE-310003-30	RES SMT 100K 5% 1/8W 1206	7	R73, R74, R196, R197, R268, R344, R345
RE-315002-30	RES MF 150K 1% 1/8W 1206	17	R51–R54, R57, R58, R174–R177, R180, R181, R333, R335, R341–R343
RE-339201-30	RES SMT 392K 1% 1/10W 100V	9	R24, R66, R69, R145, R189, R192, R260, R263, R340
RE-348702-30	RES MF 487K 1% 1/8W 1206	4	R321, R322, R326, R328
RE-375005-BM	RES MF 750K 5% 1/2W 100PPM	2	R339, R371
SC-063100-PP	#6-20 X 5/8" "AB" TYPE 1 XRECE	20	
SC-081101-SP	#8-18 X 5/8", TYPE 1 P/P BLACK	8	
SW-000029-SW	RELAY, SPKR PROTECT,SPDT,24VDC	1	K1
SW-000053-00	SWITCH DIP 10-POS, TALL	1	SW1
WC-0.5018-JW	JMPR INS 0.5" 18AWG SLD WHT	1	J120 (100V and 120V models); J240 (230V models)
WC-000002-10	JUMPER 22GA BARE SOLID	2	W1, W2
WC-000103-00	CABLE ASSY, 20 PIN 9"L	2	J3–J4, J5–J6
WC-000115-00	AC SWITCH WIRE, BLK, LONG	1	REF: ES2, TO SWITCH
WC-000115-01	AC SWITCH WIRE, RED, SHORT	1	REF:ES1, TO SWITCH
WC-000117-00	SPEAKER WIRE, BLACK	1	REF: E12A-12C
WC-000117-01	SPEAKER WIRE, WHITE	1	REF: E9A-9C
WC-000117-02	SPEAKER WIRE, GREY	1	REF: E11A-11C
WC-000117-03	SPEAKER WIRE, BLACK	1	REF: E10A-10C
WC-000118-00	WIRE ASSY, BLK, LONG	1	REF: EH1-EH2
WC-000118-01	WIRE ASSY, RED, SHORT	1	REF: EL1-E120A (100V and 120V models)
XF-000005-00	BEAD FERRITE W/20AWG LEAD	6	L7–L12
XF-000023-00	CHOKER COMMON MODE 2.2MH	2	L3, L4
XF-000061-00	INDUCTOR TORIOD 1.9UH 13GA	1	L6
XF-000064-00	XFMR AMP HOUSEKEEPING PLC	1	T1
XF-000183-00	XFMR PWR DCA 3422	1	T2 (120V and 230V models)
XF-000188-00	XFMR PWR DCA 3422 (100V)	1	T2 (100V models)
XF-200014-CR	INDUCTOR 2UH 14AWG VERT MNT	2	L1, L2