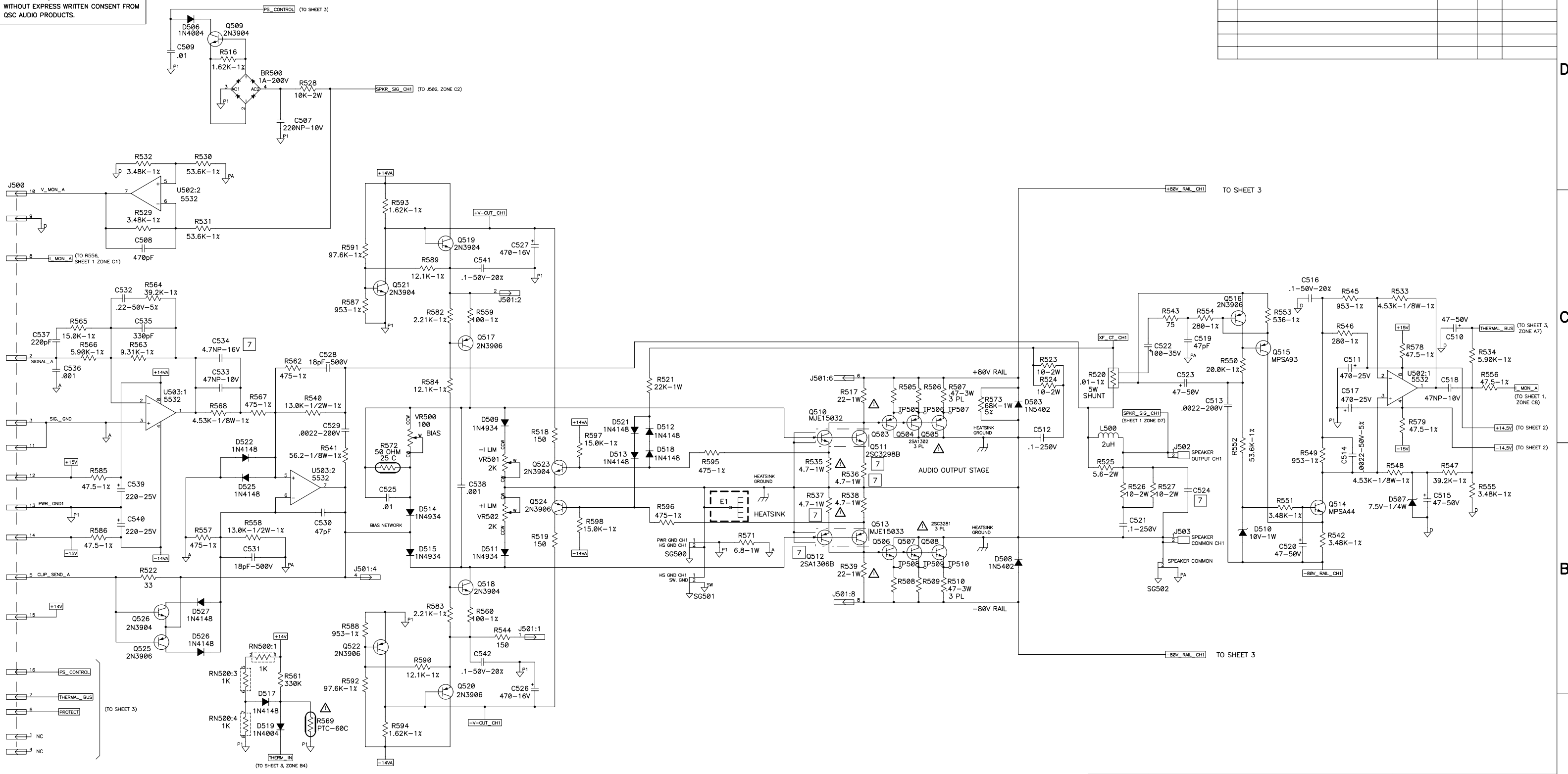


THIS DOCUMENT CONTAINS PROPRIETARY INFORMATION WHICH IS THE PROPERTY OF QSC AUDIO PRODUCTS, THAT MAY NOT BE DISCLOSED, REPRODUCED OR USED WITHOUT EXPRESS WRITTEN CONSENT FROM QSC AUDIO PRODUCTS.

REVISION			
REV	DESCRIPTION	EFF. DATE	CHK / APPROVED / DATE



4. R569, 669 ARE POSITIVE TEMPERATURE COEFFICIENT RESISTORS MOUNTED TO HEAT SINK. RESISTANCE 100 OHM COLD, RISING AT 55C. QSC P/N RE-000006-VP. R710 IS MOUNTED TO SIDE OF T703. QSC P/N RE-000009-PT.
3. ALL CAPACITORS 100V. TOLERANCE 20% FOR ELECTROLYTIC TYPES, 10% ON OTHER TYPES.
2. ALL RESISTORS ARE 1/4-WATT, 5%.
1. THIS DRAWING USED IN CONJUNCTION WITH ASSEMBLY WP-000211-XX.

8. Q501, Q502, Q601 & Q602 ARE NOT LISTED IN THE BILL OF MATERIALS. INSTALL JUMPER (WC-0.1020-JW) ACROSS SOURCE AND DRAIN OF TRANSISTORS.
7. COMPONENTS C524, C624, C534, C634, Q511, Q512, Q611, Q612, R63, R536, R537, R636, R637 ARE SPARES AND ARE NOT LISTED IN THE BILL OF MATERIALS.
6. PARTS MARKED WITH TRIANGLE Δ MUST BE REPLACED WITH EXACT TYPE ONLY.
5. ZENERS D507, 57, 607, AND D737, MARKED 7.5V, LOW LEAKAGE, QSC P/N QD-0007.5-ZT. ZENER D55, MARKED 6.2V, LOW LEAKAGE, QSC P/N QD-000024-QD.

NOTES: UNLESS OTHERWISE SPECIFIED

QTY	ITEM NO.	PART NO.	DESCRIPTION	VENDOR
PARTS LIST				
UNLESS OTHERWISE SPECIFIED DIMENSIONS ARE IN INCHES. DIMENSIONS PER ANSI Y14.5-1982 TOLERANCES ARE:			CONTRACT NO.	
DECIMALS	DECIMALS	ANGLES	APPROVALS	
.XX ±	.XXX ±	0	DATE	
DEBURR EDGES .XXX R MAX			DRAWN	
MATERIAL			A. ARANDA 1-21-97	
FINISH			CHECKED	
ISSUED			CAD SEED FILE NO.	
NEXT ASSY			SCALE	
USED ON			NONE	
APPLICATION			DO NOT SCALE DRAWING	

QSC AUDIO PRODUCTS, INC.
COSTA MESA, CALIFORNIA

SCHEMATIC DIAGRAM
MAIN PCB, POWERLIGHT 1.0HV

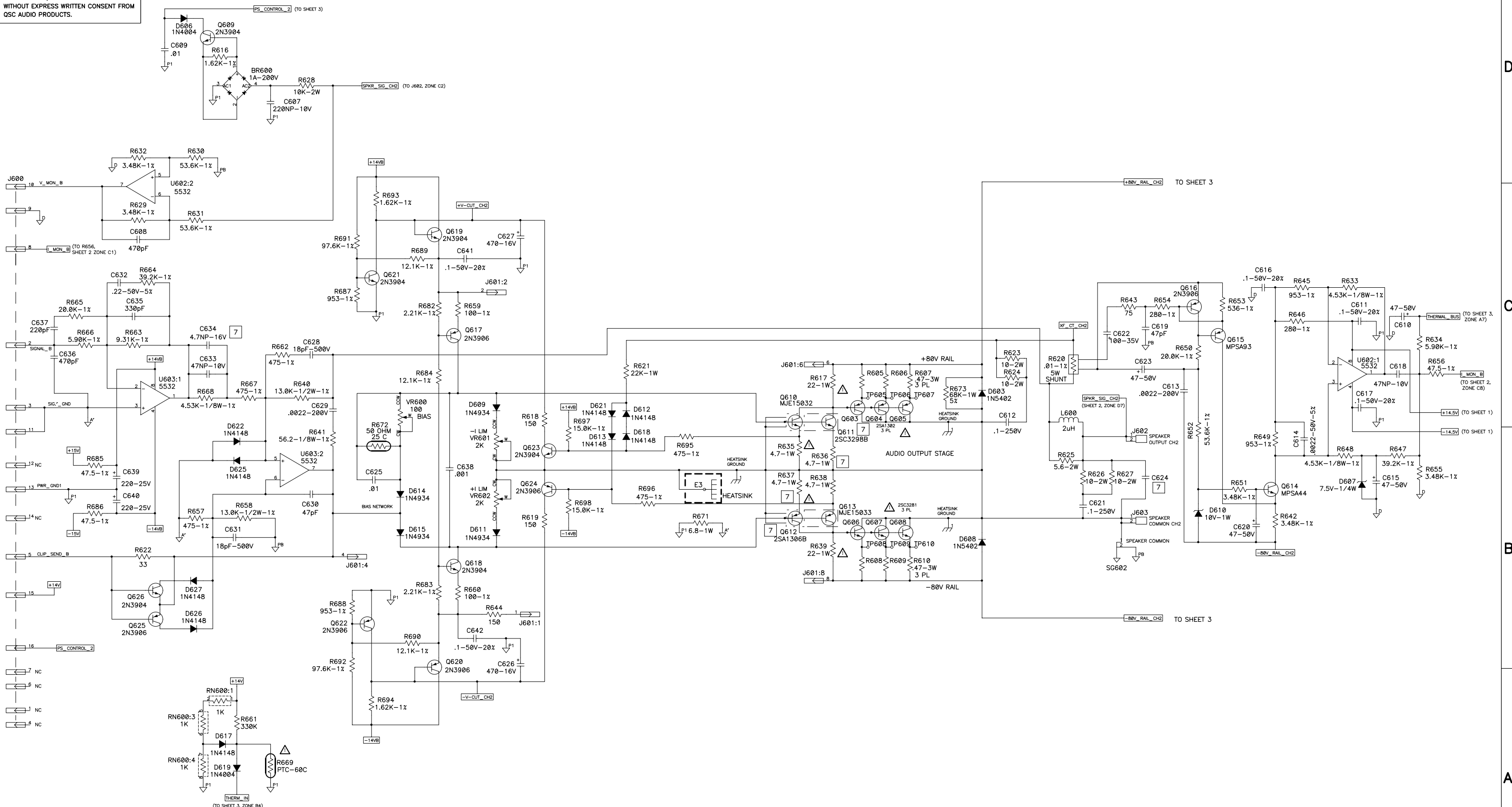
DWG NO. **SH-000211-00**

SHEET 1 OF 3

PLOT DATE: Thu Sep 28, 2000

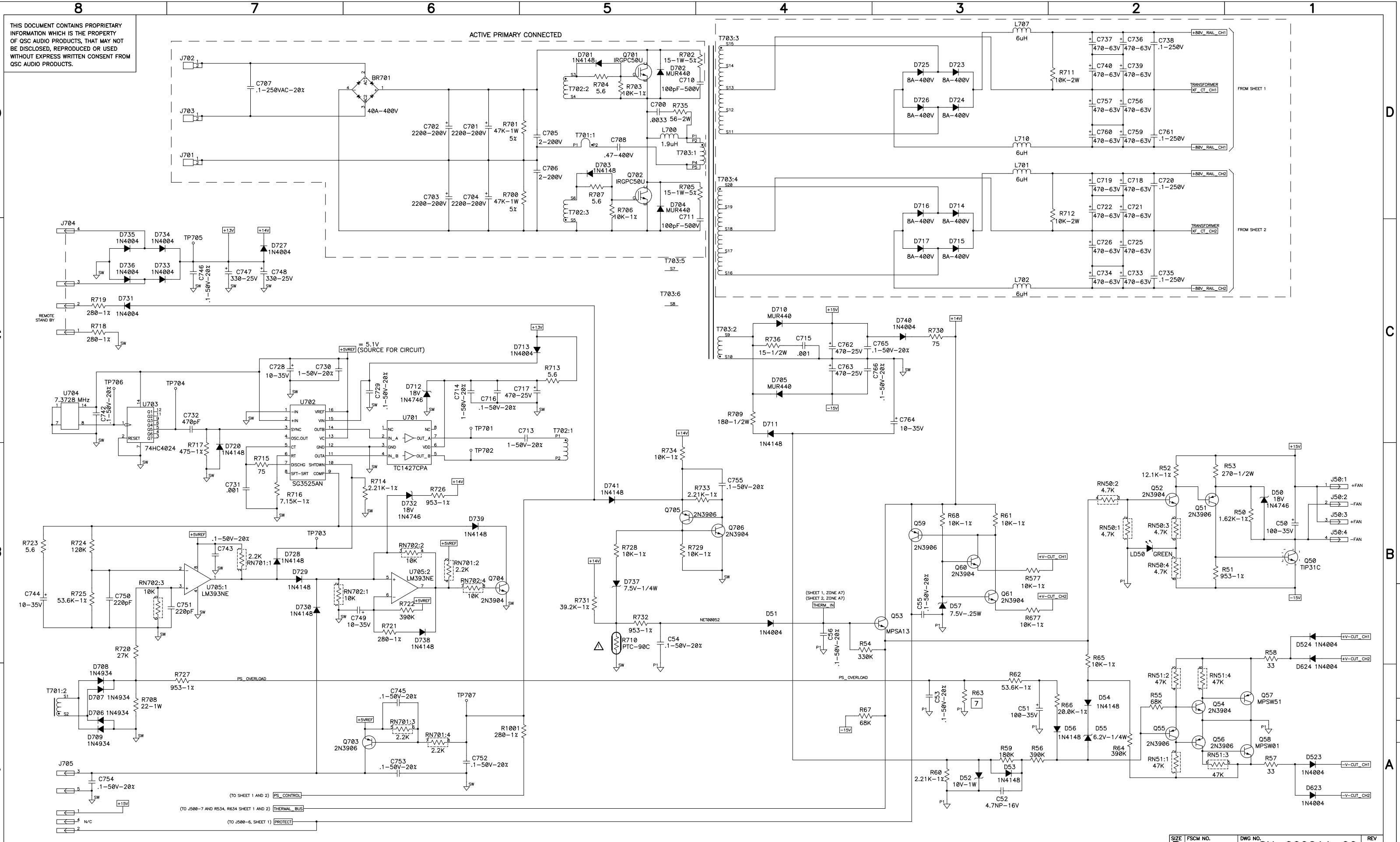
DWG NO. SH-000211-00

THIS DOCUMENT CONTAINS PROPRIETARY INFORMATION WHICH IS THE PROPERTY OF QSC AUDIO PRODUCTS, THAT MAY NOT BE DISCLOSED, REPRODUCED OR USED WITHOUT EXPRESS WRITTEN CONSENT FROM QSC AUDIO PRODUCTS.



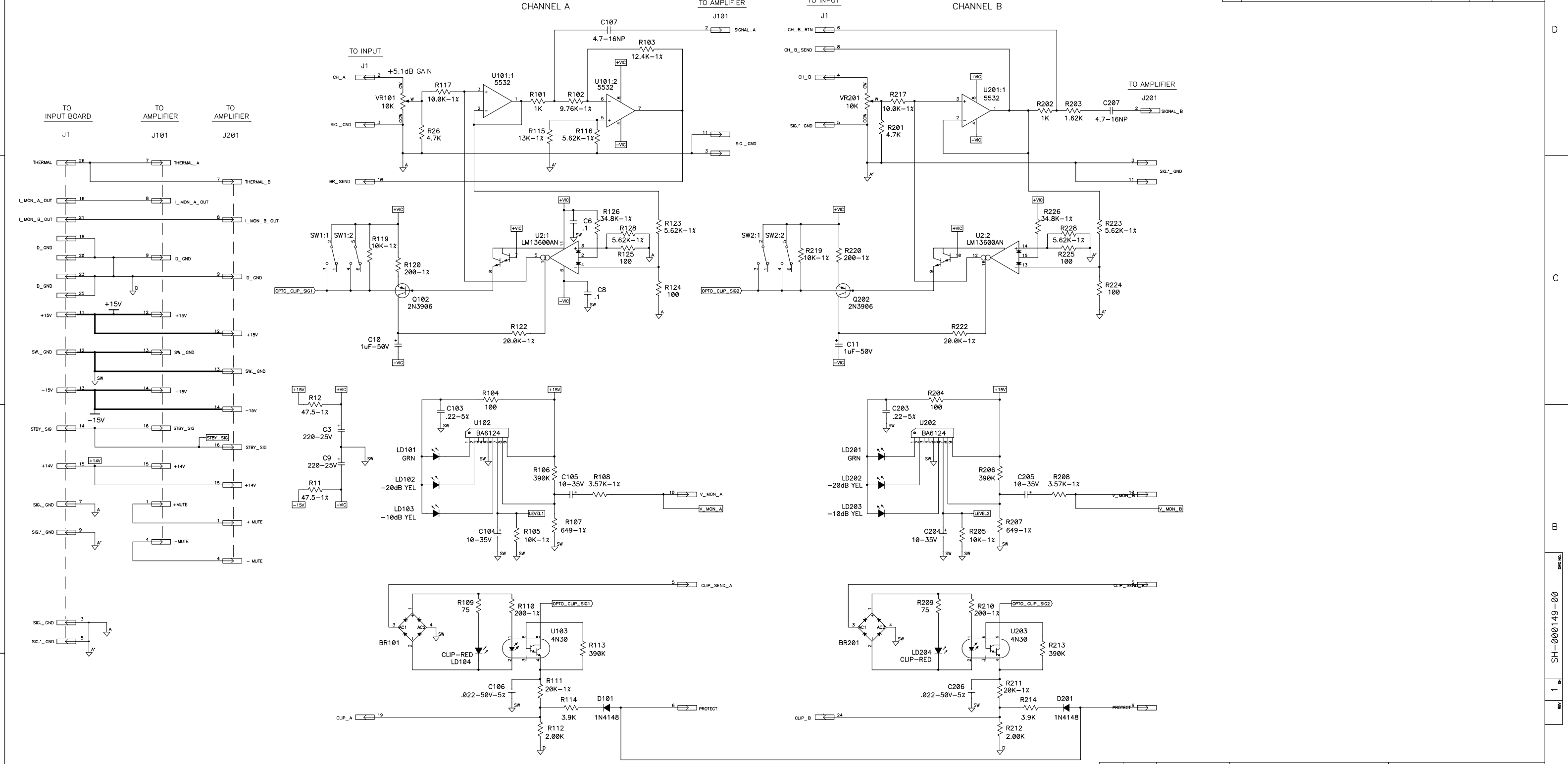
SH-000211-00
REV 2

THIS DOCUMENT CONTAINS PROPRIETARY INFORMATION WHICH IS THE PROPERTY OF QSC AUDIO PRODUCTS, THAT MAY NOT BE DISCLOSED, REPRODUCED OR USED WITHOUT EXPRESS WRITTEN CONSENT FROM QSC AUDIO PRODUCTS.



THIS DOCUMENT CONTAINS PROPRIETARY INFORMATION WHICH IS THE PROPERTY OF QSC AUDIO PRODUCTS. THAT MAY NOT BE DISCLOSED, REPRODUCED OR USED WITHOUT EXPRESS WRITTEN CONSENT FROM QSC AUDIO PRODUCTS.

REVISION				
REV	DESCRIPTION	EFF. DATE	CHK	APPROVED / DATE



4. PARTS IN COMMON WITH BOTH CHANNELS NUMBERED 1-99.
 CH 1 COMPONENTS NUMBERED 101-199.
 CH 2 COMPONENTS NUMBERED 201-299.
 3. CAPACITORS ARE IN MICROFARADS, 25V MIN.
 2. RESISTORS ARE IN OHMS, 1/4W_400, 5%.
 1. THIS DRAWING USED IN CONJUNCTION WITH ASSEMBLY
 WP-000149-00 AND FABRICATION DRAWING PC-000149-00.
- NOTES: UNLESS OTHERWISE SPECIFIED

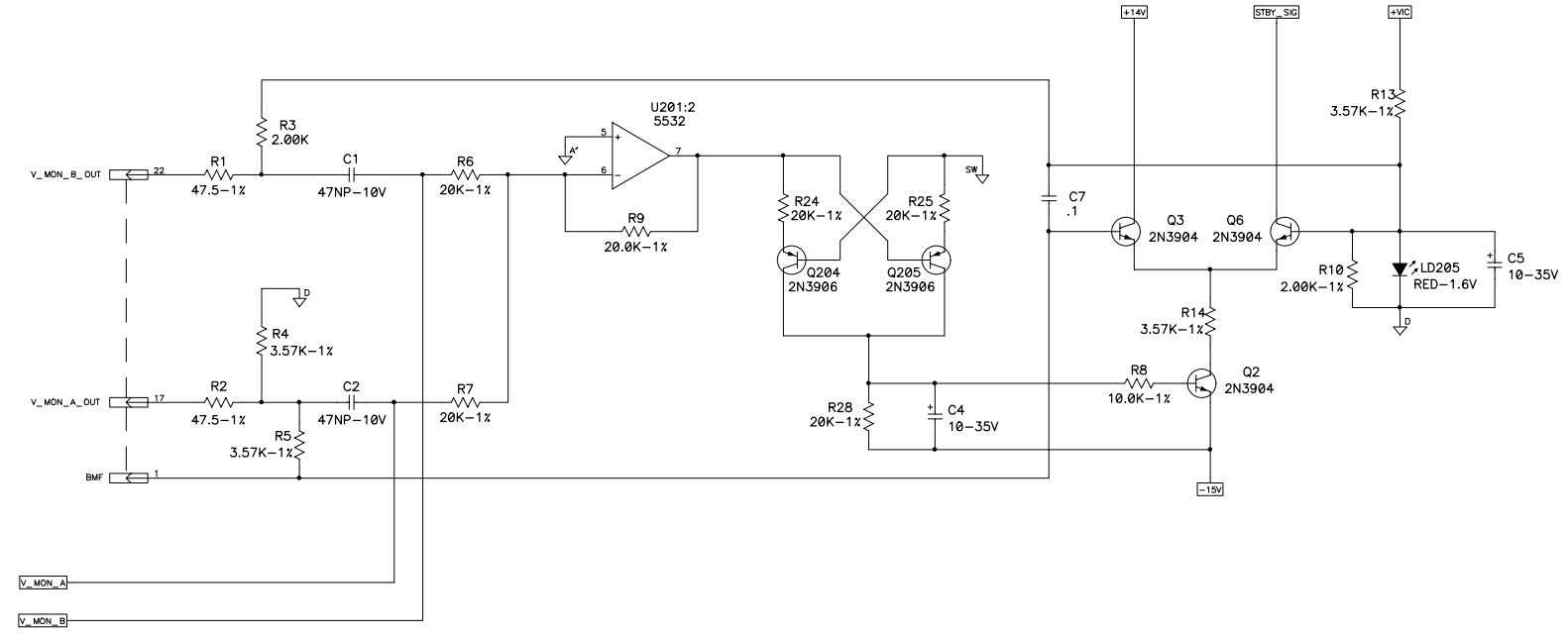
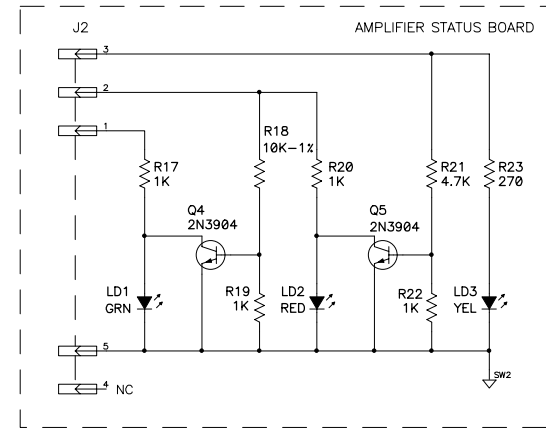
QTY	ITEM NO.	PART NO.	DESCRIPTION	VENDOR
PARTS LIST				
UNLESS OTHERWISE SPECIFIED DIMENSIONS ARE IN INCHES. DIMENSIONS PER ANSI Y14.5-1982 TOLERANCES ARE: DECIMALS DECIMALS ANGLES .XX ± .XXX ± 0			CONTRACT NO.	
DRAWN R. BECKER			APPROVALS	
CHECKED W. RULAND			DATE 3-12-96	
ISSUED T. SHOOK			DATE 8-21-96	
CAD SEED FILE NO. SH0149-B.SCH			DATE Thu May 04, 2000	
SCALE NONE			DWG NO. SH-000149-00	
APPLICATION DO NOT SCALE DRAWING			SHEET 1 OF 2	

QSC AUDIO PRODUCTS, INC.
COSTA MESA, CALIFORNIA

SCHEMATIC DIAGRAM
DISPLAY, POWERLIGHT DP

SIZE: D FSCM NO. DWG NO. SH-000149-00 REV

THIS DOCUMENT CONTAINS PROPRIETARY INFORMATION WHICH IS THE PROPERTY OF QSC AUDIO PRODUCTS. THAT MAY NOT BE DISCLOSED, REPRODUCED OR USED WITHOUT EXPRESS WRITTEN CONSENT FROM QSC AUDIO PRODUCTS.

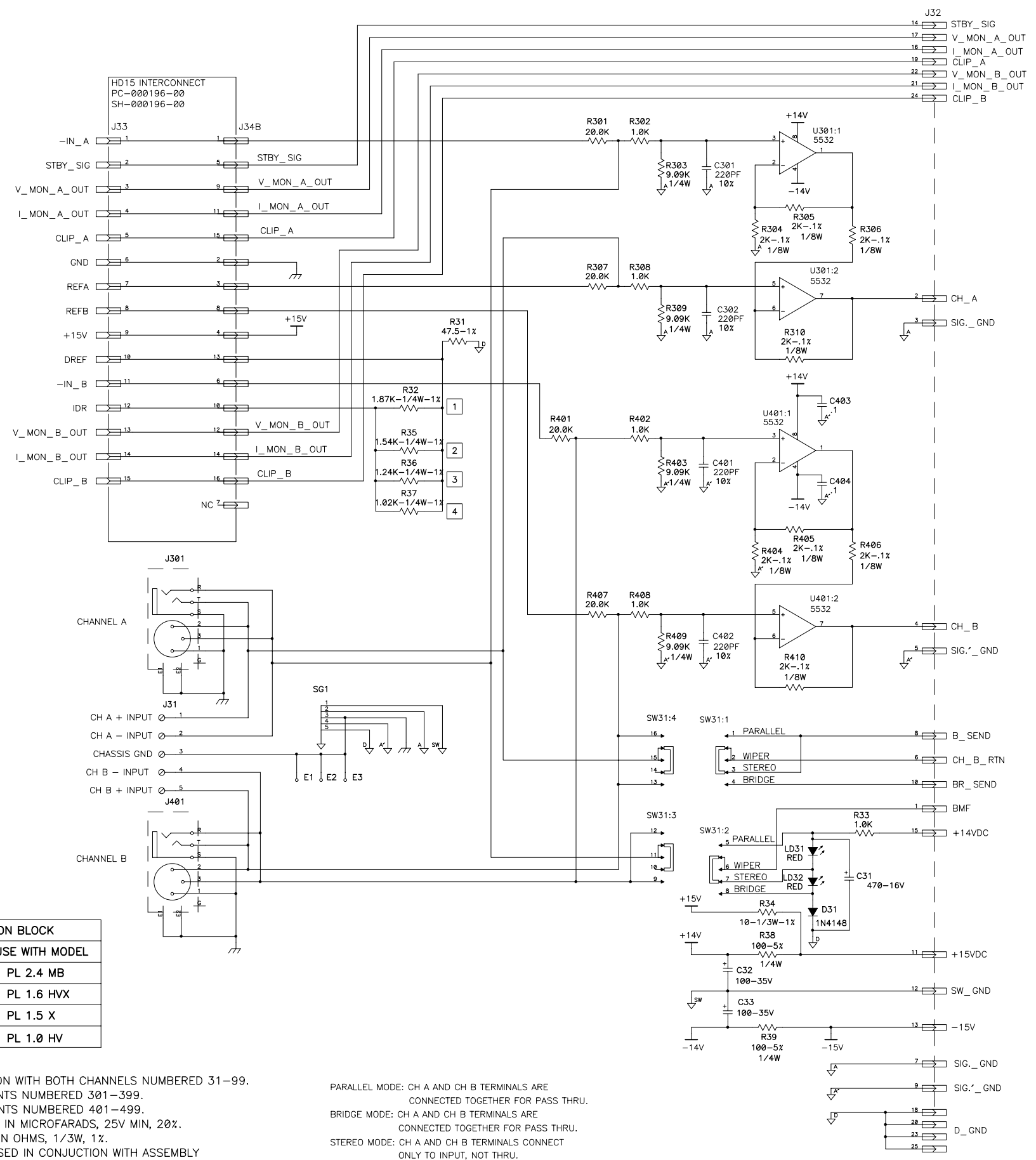


NOTES: UNLESS OTHERWISE SPECIFIED

SIZE D	FSCM NO.	DWG NO. SH-000149-00	REV
SCALE NONE	CAD FILE NO. sh0149-c.sch	SHEET 2	

THIS DOCUMENT CONTAINS PROPRIETARY INFORMATION WHICH IS THE PROPERTY OF QSC AUDIO PRODUCTS. THAT MAY NOT BE DISCLOSED, REPRODUCED OR USED WITHOUT EXPRESS WRITTEN CONSENT FROM QSC AUDIO PRODUCTS.

REVISION				
REV	DESCRIPTION	EFF. DATE	CHK	APPROVED / DATE



TABULATION BLOCK		
REF. NO.	USE WITH MODEL	
1	R32	PL 2.4 MB
2	R35	PL 1.6 HVX
3	R36	PL 1.5 X
4	R37	PL 1.0 HV

4. PARTS IN COMMON WITH BOTH CHANNELS NUMBERED 31-99.
 CH A COMPONENTS NUMBERED 301-399.
 CH B COMPONENTS NUMBERED 401-499.
 3. CAPACITORS ARE IN MICROFARADS, 25V MIN, 20%.
 2. RESISTORS ARE IN OHMS, 1/3W, 1%.
 1. THIS DRAWING USED IN CONJUNCTION WITH ASSEMBLY WP-000312-00 AND FABRICATION DRAWING PC-000148-00.
 NOTES: UNLESS OTHERWISE SPECIFIED

PARALLEL MODE: CH A AND CH B TERMINALS ARE CONNECTED TOGETHER FOR PASS THRU.
 BRIDGE MODE: CH A AND CH B TERMINALS ARE CONNECTED TOGETHER FOR PASS THRU.
 STEREO MODE: CH A AND CH B TERMINALS CONNECT ONLY TO INPUT, NOT THRU.

QTY	ITEM NO.	PART NO.	DESCRIPTION	VENDOR
PARTS LIST				
WP-000310-02	PL 1.6 HVX (230V)			
WP-000310-00	PL 1.6 HVX (120V)			
WP-000250-02	PL 1.5X (230V)			
WP-000250-00	PL 1.5X (120V)			
WP-000210-02	PL 1.0HV (120V)			
WP-000210-00	PL 1.0HV (120V)			
WP-000200-02	PL 2.4MB (230V)			
WP-000200-00	PL 2.4MB (120V)			
NEXT ASSY	USED ON			
APPLICATION		DO NOT SCALE DRAWING		

UNLESS OTHERWISE SPECIFIED DIMENSIONS ARE IN INCHES. DIMENSIONS PER ANSI Y14.5-1982 TOLERANCES ARE: DECIMALS DECIMALS ANGLES .xx ± .xxx ± 0		CONTRACT NO.	
DEBURR EDGES .XXX R MAX MATERIAL		APPROVALS DATE	
FINISH		DRAWN A. ARANDA 2-4-97	
NEXT ASSY USED ON		CHECKED W. RULAND 10-30-97	
CAD SEED FILE NO. SH0148-A.SCH		ISSUED T. SHOOK 11-7-97	
SCALE NONE		SIZE FSCM NO. DWG NO. SH-000312-00 REV B	
P:\TANGOPRO\PL\PL1.6HVX\INPUT		PLOT DATE: Thu Sep 28, 2000	

SH-000312-00